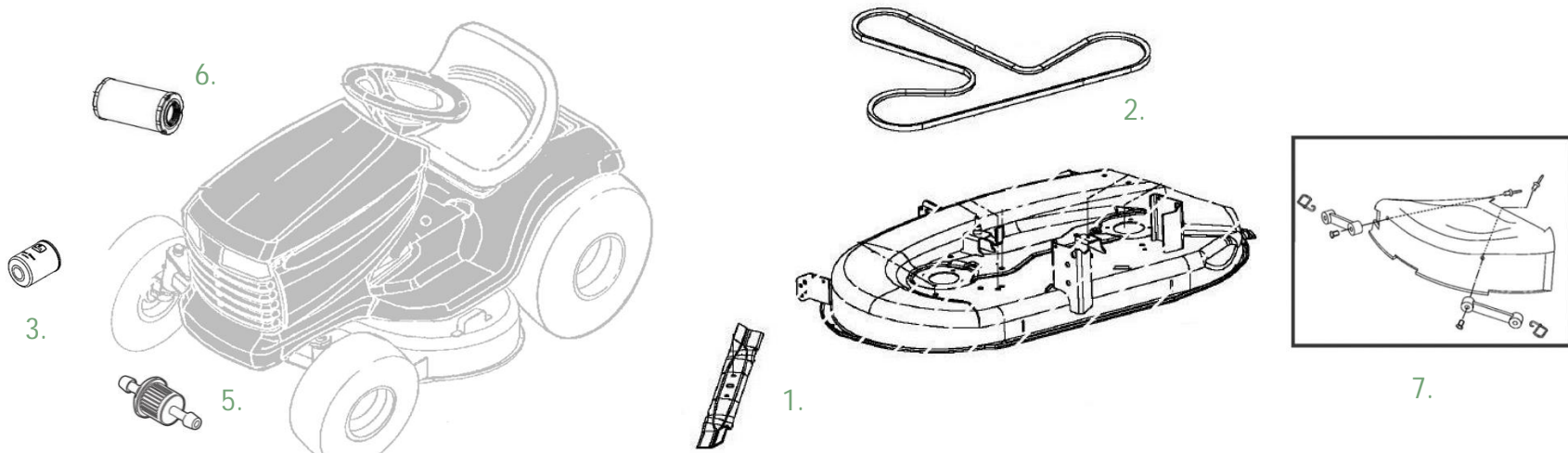


# John Deere D105 Lawn Tractor

## Parts and Maintenance Information



| Key | Description               | Part Number | THD Store SKU | THD Online SKU |
|-----|---------------------------|-------------|---------------|----------------|
| 1.  | 42 inch Mower Blade (3n1) | GY20850     | 469-318       | 100543327      |
| 2.  | 42 inch Mower Deck Belt   | GY20072     | 374-857       | 100330463      |
| 3.  | Oil Filter                | GY20577     | 226-963       | 100175070      |
| 4.  | Oil                       | TY22029     | 226-971       | 100127512      |
| 5.  | Fuel Filter               | GY20709     | 289-625       | 100126418      |
| 6.  | Air Filter                | GY21435     | 876-771       | 202722487      |
| 7.  | Mulch Cover               | GY00115     | 178-452       | 100670936      |

# John Deere D105 Lawn Tractor

## Parts and Maintenance Information

### Service Intervals

| After 8 Hours                                  | Every 50 Hours or Annually   |
|--|--|
| Change engine oil                              | Change engine oil & replace filter. (Service more frequently under dusty conditions.)            |
| Check & adjust mower deck belt tension         | Clean/replace air filter precleaner & element. (Service more frequently under dusty conditions.) |
| Check & adjust mower deck spindle brakes       | Replace fuel filter.   |
| Lubricate mower spindles                       | Sharpen/replace mower blades.  |
| Lubricate pivot points                         | Check/replace mower drive belt.  |
| Lubricate front axle wheel spindles & bushings | Check/adjust mower deck belt tension.  |
| Every 25 Hours                                 | Check/adjust mower deck spindle brakes.  |
| Lubricate mower spindles.                      | Every 200 Hours  |
| Lubricate pivot points.                        | Check/adjust valve clearance. See your John Deere dealer for this service.                       |
| Lubricate front axle wheel spindles & bushings |  |

For complete parts information for 100 Series Tractors: Visit your local John Deere Dealer or [www.Deere.com](http://www.Deere.com)

\*Refer to Operators Manual for a complete listing of service intervals.



## Free Manuals Download Website

<http://myh66.com>

<http://usermanuals.us>

<http://www.somanuals.com>

<http://www.4manuals.cc>

<http://www.manual-lib.com>

<http://www.404manual.com>

<http://www.luxmanual.com>

<http://aubethermostatmanual.com>

Golf course search by state

<http://golfingnear.com>

Email search by domain

<http://emailbydomain.com>

Auto manuals search

<http://auto.somanuals.com>

TV manuals search

<http://tv.somanuals.com>