

# Owner's Manual



*Progressive*

## True HEPA Air Cleaner

Models 106.83200, 106.83202



### INFO-LINE:

After reading this manual, if you have any questions/comments, or need to purchase replacement filters for your Kenmore Air Cleaner, call TOLL FREE: 1-866-640-7138.

Sears, Roebuck and Co., Hoffman Estates, IL 60179 U.S.A. [www.sears.com](http://www.sears.com)

# TABLE OF CONTENTS

WARRANTY _____	2
AIR CLEANER SAFETY _____	3
ELECTRICAL REQUIREMENTS _____	4
LOCATION REQUIREMENTS _____	5
OPERATING AIR CLEANER _____	5
CARING FOR AIR CLEANER _____	6

## WARRANTY

### FULL 1-YEAR WARRANTY ON AIR CLEANER

If this product fails due to a defect in material or workmanship within one year from the date of purchase, Sears will at its option repair or replace it free of charge.

This warranty DOES NOT cover the replacement HEPA (High Efficiency Particulate Air) filter or pre-filter.

### WARRANTY RESTRICTION

There are no customer-serviceable parts inside this air cleaning system. Do not attempt to repair this unit yourself. Doing so will void the warranty and could cause damage to the air cleaner or personal injury to yourself.

### WARRANTY SERVICE

This warranty applies only while this product is in use in the United States. This warranty gives you specific legal rights, and you also may have other rights which may vary from state to state.

**Sears, Roebuck and Co.**  
**Dept. 817WA**  
**Hoffman Estates, IL 60179**

### PRODUCT RECORD

In the space below, record your complete model number, serial number, and purchase date. You can find this information on the model and serial number label located behind the front grill and below the control panel. Have this information available to help you obtain assistance or service more quickly whenever you contact Sears concerning your air cleaner.

**Model number 106.** \_\_\_\_\_  
**Serial number** \_\_\_\_\_  
**Purchase date** \_\_\_\_\_

**Keep these instructions and your sales receipt for future reference.**

# AIR CLEANER SAFETY

## Your safety and the safety of others are very important.

We have provided many important safety messages in this manual and on your appliance. Always read and obey all safety messages.



This is the safety alert symbol. This symbol alerts you to potential hazards that can kill or hurt you and others. All safety messages will follow the safety alert symbol and either the word "DANGER" or "WARNING." These words mean:

 **DANGER**

You can be killed or seriously injured if you don't immediately follow instructions.

 **WARNING**

You can be killed or seriously injured if you don't follow instructions.

All safety messages will tell you what the potential hazard is, tell you how to reduce the chance of injury, and tell you what can happen if the instructions are not followed.

## IMPORTANT SAFETY INSTRUCTIONS

**WARNING:** To Reduce The Risk Of Fire Or Electric Shock, Do Not Use The Air Purifier With Any Solid-State Speed Control Device.

**WARNING:** To Reduce The Risk Of Fire Or Electric Shock And Injury To Persons, Do Not Use In A Window.

Unplug air cleaner before servicing.

**READ AND SAVE THESE INSTRUCTIONS**

# ELECTRICAL REQUIREMENTS

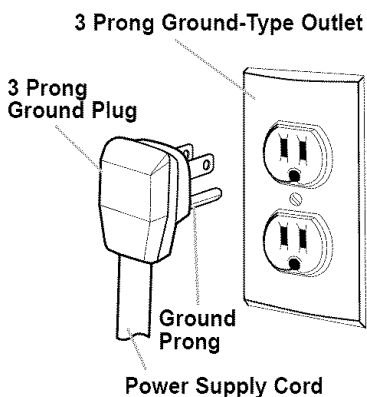
## **⚠ WARNING**



**Electrical Shock Hazard**  
**Plug into a grounded 3 prong outlet.**  
**Do not remove ground prong.**  
**Do not use an adapter.**  
**Do not use an extension cord.**  
**Failure to follow these instructions can result in death, fire, or electrical shock.**

A 115-volt (104 volt min. to 126 volt max.), 60-Hz, AC-only, 15- or 20-ampere fused and properly grounded electrical supply is required. A time-delay fuse or time-delay circuit breaker is recommended.

## **Recommended grounding method**

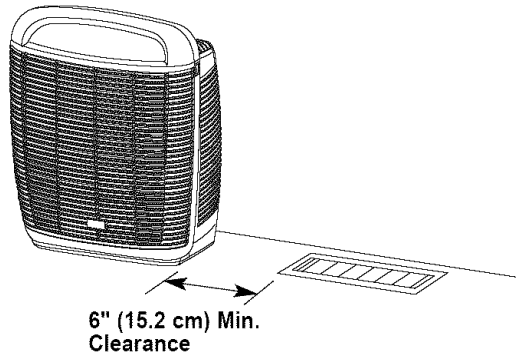


This air cleaner is equipped with a power supply cord having a 3 prong ground plug.

To minimize possible shock hazard, the cord must be plugged into a mating 3 prong ground-type outlet, grounded in accordance with local codes and ordinances. If a mating outlet is not available, it is the personal responsibility and obligation of the customer to have the properly grounded outlet installed by a qualified electrician.

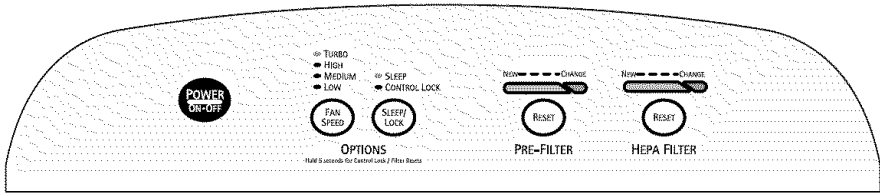
# LOCATION REQUIREMENTS

- Do not block air openings or place air cleaner on soft surface such as bed or sofa. This could cause air cleaner to tip over, blocking air intake opening.
- Place air cleaner on a flat, level surface at least 6 in. (15.2 cm) away from heat sources such as ranges or heaters.
- This product is intended for indoor use only.



# OPERATING AIR CLEANER

**NOTE:** Before operating air cleaner, record date of installation on HEPA filter so you can replace it annually. To remove and replace HEPA filter, see the "Filter Replacement" section.



## Using the Controls

### Power On/Off

1. Plug into a grounded 3 prong outlet.
2. Press POWER ON/OFF to start the air cleaner.
3. Press FAN SPEED to select desired speed.
4. Press POWER ON/OFF to stop the air cleaner.

### Sleep

Press SLEEP/LOCK to set the fan speed to Low for 8 hours. The air cleaner will then return to the previously selected setting.

### Control Lock

Locks the controls to prevent accidental changing of the settings.

1. Press and hold SLEEP/LOCK for 5 seconds to set the Control Lock.
2. Press SLEEP/LOCK for 5 seconds to unlock the controls.

### Filter Status Lights

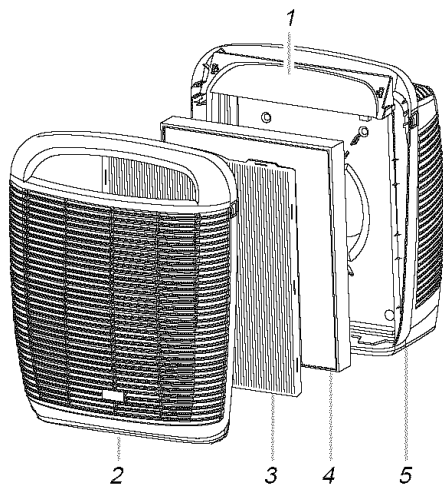
The Pre-Filter and HEPA Filter status lights will help you know when to change your filters. The green status lights will move from New to Change at pre-set intervals. When the red Change status light is flashing, replace the filter as indicated. See the "Filter Replacement" section.

# CARING FOR AIR CLEANER

## Major Components

Your Kenmore air cleaner has 5 basic components:

1. Controls
2. Front Grill
3. Pre-Filter (dark color filter)
4. HEPA Filter (light color filter)
5. Mainframe Assembly



## Cleaning Air Cleaner

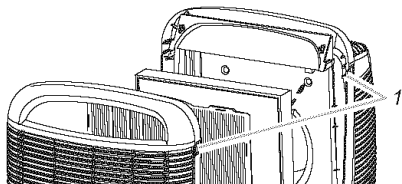
1. Press POWER ON/OFF to turn air cleaner off.
2. Unplug air cleaner or disconnect power.
3. Place fingers on front release tabs. Gently push tabs in and pull front grill forward to remove it.
4. Remove both filters and set aside. Do not try to wash and reuse either the HEPA filter or the pre-filter.
5. Clean air cleaner with a soft damp cloth.
6. Gently wash front grill in soapy water (Grill is not dishwasher safe.)
7. Reassemble air cleaner.
8. Plug in air cleaner or reconnect power.
9. Press POWER ON/OFF to start the air cleaner.

# CARING FOR AIR CLEANER

## Filter Replacement

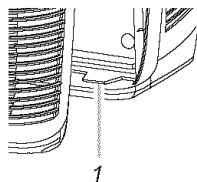
Filter status lights will be red for Change when it is time to replace either the Pre-Filter or HEPA Filter.

1. Press POWER ON/OFF to turn air cleaner off.
2. Unplug air cleaner or disconnect power.
3. Place fingers on front release tabs. Gently push tabs in and pull front grill forward to remove it.



1. Release tabs

4. Remove and replace the indicated filter. Install the new HEPA filter in the same direction shown by the arrow located on the filter frame. Install the new pre-filter by placing it on the tabs. Do not try to wash and reuse either the HEPA filter or the pre-filter.



1. Bottom tab

5. Place bottom tabs on front grill into slots in base of air cleaner. Push top of grill forward until grill locks in place.
6. Plug in air cleaner or reconnect power.
7. Press POWER ON/OFF to start the air cleaner.
8. Press RESET for 5 seconds to reset the light(s) and timer.

For most efficient operation of the air cleaner, it is recommended that you replace the pre-filter every 3 months and the HEPA filter every year.

To order replacement pre-filters or HEPA filters, visit your nearest Sears store or:  
TOLL FREE 866-640-7138  
[www.sears.com/partsdirect](http://www.sears.com/partsdirect)

Air Cleaner Model No.	HEPA Filter Replacement Part No.	Pre-filter Replacement Part No.
83200	83376	83378
83202	83376	83378
83230	83376	83378
83234	83374	83377
83353	83374	83377
83354	83376	83378
83355	83376	83378

## NOTES



# Get it fixed, at your home or ours!

For repair of major brand appliances **in your own home . . .**  
no matter who made it, no matter who sold it!

**1-800-4-MY-HOME<sup>®</sup>** Anytime, day or night  
(1-800-469-4663) (U.S.A. and Canada)  
[www.sears.com](http://www.sears.com) [www.sears.ca](http://www.sears.ca)

For repair of carry-in products like vacuums, lawn equipment, and electronics, call for the nearest **Sears Parts and Repair Center.**

**1-800-488-1222** Anytime, day or night (U.S.A. only)  
[www.sears.com](http://www.sears.com)

For the replacement parts, accessories and owner's manuals that you need to do-it-yourself, call **Sears PartsDirect<sup>SM</sup>**!

**1-800-366-PART** 6 a.m. – 11 p.m., 7 days a week  
(1-800-366-7278) (U.S.A. only)  
[www.sears.com/partsdirect](http://www.sears.com/partsdirect)

To purchase or inquire about a Sears Service Agreement or Sears Maintenance Agreement:

**1-800-827-6655** (U.S.A.) **1-800-361-6665** (Canada)  
7 a.m. – 5 p.m., CST, Mon. – Sat. 9 a.m. – 8 p.m. EST, M – F, 4 p.m. Sat.

Para pedir servicio de reparación a domicilio, y para ordenar piezas:

**1-888-SU-HOGAR<sup>SM</sup>**  
(1-888-784-6427)

Au Canada pour service en français:

**1-800-LE-FOYER<sup>MC</sup>**  
(1-800-533-6937)  
[www.sears.ca](http://www.sears.ca)



## Free Manuals Download Website

<http://myh66.com>

<http://usermanuals.us>

<http://www.somanuals.com>

<http://www.4manuals.cc>

<http://www.manual-lib.com>

<http://www.404manual.com>

<http://www.luxmanual.com>

<http://aubethermostatmanual.com>

Golf course search by state

<http://golfingnear.com>

Email search by domain

<http://emailbydomain.com>

Auto manuals search

<http://auto.somanuals.com>

TV manuals search

<http://tv.somanuals.com>