



## **Washer**

User Instructions

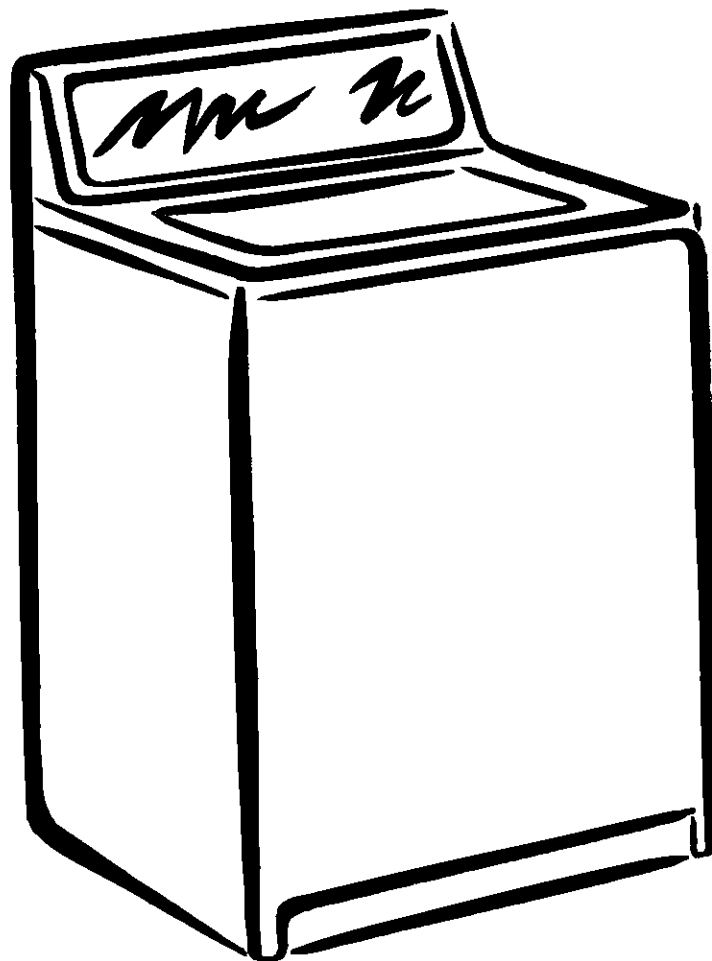
## **Lavadora**

Instrucciones para el usuario

## **Laveuse**

Instructions pour l'utilisateur

Table of Contents / Índice / Table des matières ..... 2



## Table of Contents / Índice / Table des matières

WASHER SAFETY..... 2	SEGURIDAD DE LA LAVADORA..... 10	SÉCURITÉ DE LA LAVEUSE..... 19
WASHER USE ..... 3	USO DE LA LAVADORA..... 11	UTILISATION DE LA LAVEUSE ..... 20
WASHER CARE..... 5	CUIDADO DE LA LAVADORA ..... 13	ENTRETIEN DE LA LAVEUSE ..... 22
TROUBLESHOOTING..... 6	SOLUCIÓN DE PROBLEMAS..... 14	DÉPANNAGE..... 23
PROTECTION AGREEMENTS..... 8	CONTRATOS DE PROTECCIÓN..... 17	CONTRATS DE PROTECTION ..... 26
WARRANTY..... 9	GARANTÍA..... 18	GARANTIE..... 27
SERVICE NUMBERS ..... BACK COVER	NÚMEROS DE SERVICIO ..... CONTRAPORTADA	NUMÉROS DE SERVICE..... COUVERTURE ARRIÈRE

### Product Record

For service or warranty assistance, you will need the following information. Have this information available when you contact Sears concerning your appliance.

To contact Sears, please refer to the Warranty and the back page of this manual.

In the space following, record your complete model number, serial number, and purchase date. You can find this information on the model and serial number label, located under the washer lid.

Model number **110**. \_\_\_\_\_

Serial number \_\_\_\_\_

Purchase date \_\_\_\_\_

**Save these instructions and your sales receipt for future reference.**

## WASHER SAFETY

### Your safety and the safety of others are very important.

We have provided many important safety messages in this manual and on your appliance. Always read and obey all safety messages.



This is the safety alert symbol.

This symbol alerts you to potential hazards that can kill or hurt you and others.

All safety messages will follow the safety alert symbol and either the word "DANGER" or "WARNING."

These words mean:

**⚠ DANGER**

**You can be killed or seriously injured if you don't immediately follow instructions.**

**⚠ WARNING**

**You can be killed or seriously injured if you don't follow instructions.**

All safety messages will tell you what the potential hazard is, tell you how to reduce the chance of injury, and tell you what can happen if the instructions are not followed.

## IMPORTANT SAFETY INSTRUCTIONS

**WARNING:** To reduce the risk of fire, electric shock, or injury to persons when using the washer, follow basic precautions, including the following:

- Read all instructions before using the washer.
- Do not wash articles that have been previously cleaned in, washed in, soaked in, or spotted with gasoline, dry-cleaning solvents, other flammable, or explosive substances as they give off vapors that could ignite or explode.
- Do not add gasoline, dry-cleaning solvents, or other flammable, or explosive substances to the wash water. These substances give off vapors that could ignite or explode.
- Under certain conditions, hydrogen gas may be produced in a hot water system that has not been used for 2 weeks or more. **HYDROGEN GAS IS EXPLOSIVE.** If the hot water system has not been used for such a period, before using the washing machine, turn on all hot water faucets and let the water flow from each for several minutes. This will release any accumulated hydrogen gas. As the gas is flammable, do not smoke or use an open flame during this time.
- Do not allow children to play on or in the washer. Close supervision of children is necessary when the washer is used near children.
- Before the washer is removed from service or discarded, remove the door or lid.
- Do not reach into the washer if the drum, tub or agitator is moving.
- Do not install or store the washer where it will be exposed to the weather.
- Do not tamper with controls.
- Do not repair or replace any part of the washer or attempt any servicing unless specifically recommended in this manual or in published user-repair instructions that you understand and have the skills to carry out.
- See "Electrical Requirements" for grounding instructions.

**SAVE THESE INSTRUCTIONS**

# WASHER USE

## Loading

For these suggested full-sized loads, set the LOAD SIZE selector to the highest load size setting.

### SUPER CAPACITY and SUPER CAPACITY PLUS WASHERS

Heavy Work Clothes	Mixed Load	Towels	Delicates
3 pair pants	3 double sheets	10 bath towels	3 camisoles
3 shirts	4 pillowcases	10 hand towels	1 quilted robe
4 pair jeans	8 T-shirts	14 washcloths	4 slips
1 coverall	6 pair shorts	1 bath mat	4 panties
1 overall	2 shirts		2 bras
	2 blouses		2 nighties
	8 handkerchiefs		1 baby's dress

### EXTRA LARGE CAPACITY AND EXTRA LARGE CAPACITY PLUS WASHERS

Heavy Work Clothes	Mixed Load	Towels	Delicates
2 pair pants	2 double sheets or	8 bath towels	3 camisoles
3 shirts	1 king size sheet(s)	8 hand towels	4 slips
3 pair jeans	4 pillowcases	10 washcloths	4 panties
1 coverall	6 T-shirts	1 bath mat	2 bras
	6 pair shorts		2 nighties
	2 shirts		
	2 blouses		
	6 handkerchiefs		

## Starting Your Washer

### ⚠ WARNING



#### Fire Hazard

Never place items in the washer that are dampened with gasoline or other flammable fluids.

No washer can completely remove oil.

Do not dry anything that has ever had any type of oil on it (including cooking oils).

Doing so can result in death, explosion, or fire.

1. Measure detergent and pour it into the washer. If desired, add powdered or liquid color safe bleach. Drop a sorted load of clothes loosely into your washer.

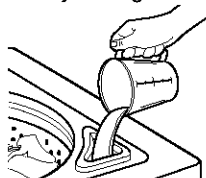
- Load evenly to maintain washer balance. Mix large and small items. Items should move easily through the wash water. Overloading can cause poor cleaning.

2. (OPTIONAL) Add Liquid Chlorine Bleach.

**NOTE:** Follow the manufacturer's directions for safe use. Undiluted bleach will damage any fabric it touches. The damage appears as rips, holes, tears, or color loss and may not show up until several washings later. To avoid spilling, use a cup with a pouring spout. Do not let bleach splash, drip, or run down into the washer basket. Always measure liquid chlorine bleach. Do not guess. Never use more than the manufacturer's recommended amount for a full load. Use less with a smaller load size.

#### Style 1: With Chlorine Bleach Dispenser (on some models)

- Use only liquid chlorine bleach in this dispenser. Pour measured liquid chlorine bleach into the liquid chlorine bleach dispenser. Bleach is immediately fed into washer and is diluted automatically during the wash part of the cycle.



#### Style 2: Without Chlorine Bleach Dispenser (on some models)

- Let the washer fill and begin agitating the load.
- Add bleach 5 minutes into the wash cycle for best cleaning and so that bleach can be removed in the rinse cycle. Pour bleach around the agitator, not directly onto the load.

3. (OPTIONAL) Add Liquid Fabric Softener.

**NOTE:** Do not spill or drip any fabric softener onto the clothes. Undiluted fabric softener can stain fabrics. Always dilute fabric softener with warm water. Too much fabric softener can make some items (diapers and towels) nonabsorbent. If this happens, do not use it every load, or use less of it in each load.

#### Style 1: With Liquid Fabric Softener Dispenser (on some models)

- Use only liquid fabric softener in this dispenser. Pour measured liquid fabric softener into the dispenser. Softener is added automatically during the rinse portion

### ⚠ WARNING



#### Electrical Shock Hazard

Plug into a grounded 3 prong outlet.

Do not remove ground prong.

Do not use an adapter.

Do not use an extension cord.

Failure to follow these instructions can result in death, fire, or electrical shock.

of the cycle. Dilute liquid fabric softener by filling the dispenser with warm water until liquid reaches the crossbar in the dispenser opening.



#### Style 2: Without Liquid Fabric Softener Dispenser (on some models)

- In the final rinse ONLY, add fabric softener that has been diluted with ½ to 1 cup (125 to 250 mL) warm water.

4. Close the washer lid.
5. Turn the LOAD SIZE selector to the correct setting for your wash load and the type of fabric being washed. You may change the load size selection after the washer has started filling by turning the selector to a different setting.
6. Set the TEMPERATURE selector to the correct setting for the type of fabric and soils being washed. Use the warmest wash water safe for fabric. Follow garment label instructions.  
**NOTE:** In wash water temperatures colder than 70°F (21°C), detergents do not dissolve well. Soils can be difficult to remove. Some fabrics can retain wear wrinkles and have increased pilling (the formation of small lint-like balls on the surface of garments).
7. (OPTIONAL) EXTRA RINSE selector (on some models). For an additional rinse and spin at the end of a wash cycle, set the EXTRA RINSE selector to ON. On some models, the EXTRA RINSE feature is part of the cycle.
8. Push in the Cycle Control knob and turn it clockwise to the wash cycle you want. Reduce the wash time when using a small load size setting. Pull out the Cycle Control knob to start the washer.



#### To stop or restart your washer:

- To stop the washer at any time, push in the Cycle Control knob.
- To restart the washer, close the lid (if open) and pull out the Cycle Control knob.

# WASHER CARE

## Cleaning Your Washer

Use a soft, damp cloth or sponge to wipe up any spills such as detergent or bleach from the outside of your washer.

Clean your washer interior by mixing 1 cup (250 mL) of chlorine bleach and 2 cups (500 mL) of detergent. Pour this mixture into your washer and run it through a complete cycle using hot water. Repeat this process if necessary.

Remove any hard water deposits using only cleaners labeled as washer safe.

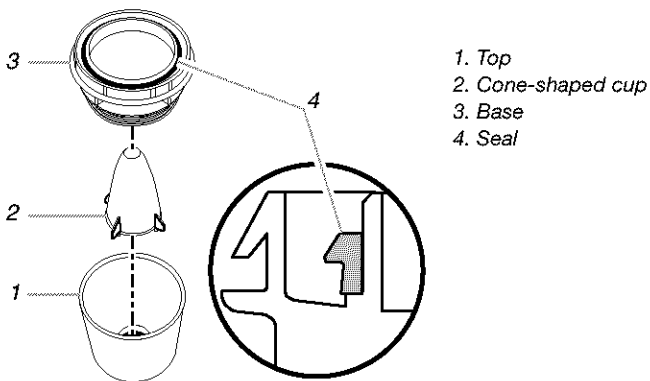
### Cleaning the liquid fabric softener dispenser (on some models):

#### Style 1: With blue lock ring

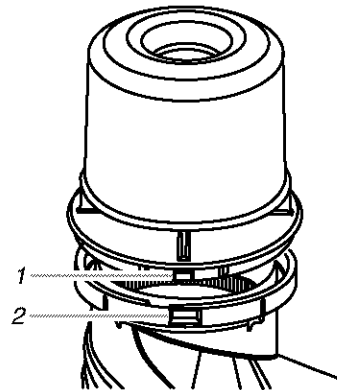
1. Pull the blue lock ring up, then remove the dispenser from the agitator by pulling up. Flush the dispenser with warm water.
2. To reinstall, be sure the blue lock ring is pulled up. Starting at an angle, push the bottom of the dispenser down on the agitator top. When the dispenser is seated on the agitator, push the blue lock ring down until it snaps into place. It must fit tightly.

#### Style 2: Without blue lock ring

1. Hold the top agitator section with one hand. Using the other hand, rotate the dispenser clockwise until it stops (approximately 1 in. [2.54 cm]). To remove, lift the dispenser straight up. Using a rocking motion, separate the top and base of the dispenser. Wash three parts (the base, the cone-shaped cup, and the top) with a mild detergent and warm water.
2. Making sure the pointed end of the cone-shaped cup is pointed toward the base, assemble the three parts by pressing the top and bottom sections together. If the seal came off while removing the dispenser from the agitator, install the seal as shown below.



3. Reinstall the dispenser by aligning the two locking tabs on the base of the dispenser with the two small slots on the top of the agitator. Push the dispenser down until you hear it snap into place. If you cannot get the locking tabs to snap into place, check the seal. It must be positioned as shown in Step 2.



**IMPORTANT:** Some models are equipped with a liquid fabric softener dispenser. To avoid damage to the washer or clothing do not wash clothes with the liquid fabric softener dispenser removed or add detergent or bleach to this dispenser; it is for liquid fabric softener only.

## Water Inlet Hoses

Replace inlet hoses after 5 years of use to reduce the risk of hose failure. Periodically inspect and replace inlet hoses if bulges, kinks, cuts, wear or leaks are found.

When replacing your inlet hoses, mark the date of replacement on the label with a permanent marker.

## Moving & Storage

Because some water may stay in the hoses, freezing can damage your washer. If storing or moving your washer during freezing weather, winterize it.

### Winterizing your washer

1. Shut off both water faucets. Disconnect and drain water inlet hoses. Pour 1 qt (1 L) of R.V.-type antifreeze into the basket.
2. Run washer on a drain and spin setting for about 30 seconds to mix the antifreeze and water.
3. Unplug washer or disconnect power.

#### To use washer again

1. Flush water pipes and hoses. Reconnect water inlet hoses. Turn on both water faucets.
2. Plug in washer or reconnect power.
3. Run the washer through a complete cycle with 1 cup (250 mL) of detergent to clean out antifreeze.

### Storage, non-use or vacation care

Operate your washer only when you are at home. If you will be on vacation or not using your washer for an extended period of time, you should:

1. Unplug washer or disconnect power.
2. Turn off the water supply to the washer. This helps avoid accidental flooding (due to a water pressure surge) while you are away.

---

# TROUBLESHOOTING

First try the solutions suggested here and possibly avoid the cost of a service call...

---

## Washer and Components

---

### Noisy

---

- **Is the load balanced and the washer level?** The wash load should be balanced and not overloaded. The washer must be level. The front feet should be properly installed and the nuts tightened. Reset the rear leveling legs (if needed). See the Installation Instructions.
  - **Did you completely remove the yellow shipping strap with cotter pins?** See the Installation Instructions.
  - **Are the gears engaging after the drain and before spin, or is the upper part of agitator clicking during wash?** These are normal washer noises.
- 

### Leaking

---

- **Check the following:**
    - Are the fill hoses tight?
    - Are the fill hose washers properly seated?
    - Is the drain hose clamp properly installed? See the Installation Instructions.
  - **Is the sink or drain clogged?** Sink and standpipe must be able to handle 17 gal. (64 L) of water per minute.
  - **Is water deflecting off the tub ring or the load?** Center the tub before starting the washer. The wash load should be balanced and not overloaded. The fill or spray rinses can deflect off the load. The washer must be level. The front feet should be properly installed and the nuts tightened. Reset the rear leveling legs (if needed). See the Installation Instructions.
  - **Check household plumbing for leaks.**
- 

### Basket crooked

---

- **Was the washer basket pulled forward during loading?** Push the basket to the center before starting wash.
  - **Is the load balanced and the washer level?** The wash load should be balanced and not overloaded. The washer must be level. The front feet should be properly installed and the nuts tightened. Reset the rear leveling legs (if needed). See the Installation Instructions.
  - **The washer basket moves while washing.** This is normal.
- 

### Agitator operation

---

- **The top of the agitator is loose, or moves in only one direction.** This is normal.
- 

### Dispensers clogged or bleach leaking

---

- **Did you follow the manufacturer's directions when adding detergent and fabric softener to the dispensers (on some models)?** Measure detergent and fabric softener. Carefully pour into the dispensers. Wipe up all spills. Dilute fabric softener in the fabric softener dispenser.
  - **Did you put powdered or liquid color-safe bleach in the liquid chlorine bleach dispenser (on some models)?** Add powdered or liquid color-safe bleach directly to the basket. Do not use the chlorine bleach dispenser for color-safe bleach.
- 

## Washer Operation

---

### Washer stops, won't fill, rinse or agitate

---

- **Check the following:**
    - Is the power cord plugged into a grounded 3 prong outlet?
    - Is the indicator on the Cycle Control knob properly lined up with a cycle? Turn the Cycle Control knob to the right slightly and pull to start.
    - Are the water inlet valve screens clogged?
    - Are both the hot and cold water faucets turned on?
    - Is the water inlet hose kinked?
  - **Does the water level seem too low, or does the washer appear to not fill completely?** The top of the agitator is much higher than the highest water level. This is normal and necessary for clothes to move freely.
  - **Has a fuse blown or is the circuit breaker open?** If problem continues, call an electrician.
  - **Are you using an extension cord?** Do not use an extension cord.
  - **Is the washer in a normal pause in the cycle?** The washer pauses for about 2 minutes during certain cycles. Allow the cycle to continue. Some cycles feature periods of agitation and soak.
  - **Is the washer overloaded?** Wash smaller loads.
  - **Is the lid open?** The lid must be closed during operation. Washer will not agitate or spin with the lid open.
- 

### Washer won't drain or spin

---

- **Is the drain hose clogged, or the end of the drain hose more than 96 in. (244 cm) above the floor?** See the Installation Instructions for proper installation of drain hose.
  - **Is the lid open?** The lid must be closed during operation. Washer will not agitate or spin with the lid open.
  - **Is there excessive sudsing?** Always measure detergent. Follow manufacturer's directions. If you have very soft water, you might need to use less detergent.
- 

### Washer continues to fill or drain, cycle seems stuck

---

- **Is the top of drain hose lower than the water level in washer?** The top of the hose must be higher than the water level in the washer for proper operation. See the Installation Instructions.
  - **Does the drain hose fit too tightly in the standpipe, or is it taped to the standpipe?** The drain hose should be loose yet fit securely. Do not seal the drain hose with tape. The hose needs an air gap. See the Installation Instructions.
-

---

### Wash/Rinse temperature not what I selected

---

- **Are the hot and cold water inlet hoses reversed?** See the Installation Instructions for more information. As your frequency of loads washed increases, the water temperature may decrease for hot and warm temperatures. This is normal.
- **Did you select a Warm/Warm temperature setting?** On models without AUTO TEMPERATURE CONTROL (ATC) that do have a Warm/Warm temperature selection, the warm wash will be followed by an energy saving cold rinse followed by warm spray rinses. This saves energy while providing the same rinse performance.

---

## Washer Results

---

---

### Load too wet

---

- **Did you use the right cycle for the load being washed?** Select a cycle with a higher spin speed (if available).
- **Did you use a cold rinse?** Cold rinses leave loads wetter than warm rinses. This is normal.

---

### Residue or lint on load

---

- **Did you sort properly?** Sort lint givers (towels, chenille) from lint takers (corduroy, synthetics). Also sort by color.
- **Did you overload the washer?** The wash load must be balanced and not overloaded. Clothes should move freely. Lint can be trapped in the load if overloaded. Wash smaller loads.
- **Did you select the correct water level?** The water level should be correct for the load size. Clothes should move freely in the water.
- **Did you use enough detergent?** Follow manufacturer's directions. Use enough detergent to hold the lint in the water.
- **Did you line dry your clothing?** If so, you can expect some lint on the clothing.
- **Check the following:**
  - Was paper or tissue left in the pockets?
  - Is your water colder than 70°F (21°C)? Wash water colder than 70°F (21°C) may not completely dissolve the detergent.
  - Did you use the proper cycle time for the load? Reducing wash time (duration) is another way to reduce lint.

---

### Stains on load

---

- **Did you follow the manufacturer's directions when adding detergent and fabric softener?** Measure detergent and fabric softener. Use enough detergent to remove soil and hold it in suspension. Dilute fabric softener and add to the rinse portion of a cycle only. Do not drip fabric softener on clothes.
- **Is there above average iron (rust) in water?** You may need to install an iron filter.
- **Did you properly sort the load?** Sort dark clothes from whites and lights.
- **Did you unload the washer promptly?** To avoid dye transfer, unload the washer as soon as it stops.

---

### Load is wrinkled

---

- **Did you unload the washer promptly?** Unload the washer as soon as it stops.
- **Did you use the right cycle for the load being washed?** Use the cycle for Casual or Permanent Press clothes or another cycle with low spin speeds (if available) to reduce wrinkling.
- **Did you overload the washer?** The wash load must be balanced and not overloaded. Loads should move freely during washing.

To reduce wrinkling of permanent press clothes and some synthetic knits, use a large load size to provide more space.
- **Was the wash water warm enough to relax wrinkles, or are you using warm rinses?** If safe for the load, use warm or hot wash water. Use cold rinse water.

- **Are the hot and cold water hoses reversed?** Check to be sure the hot and cold water hoses are connected to the right faucets. See the Installation Instructions.

---

### Load is tangled or twisted

---

- **Did you overload the washer?** The wash load must be balanced and not overloaded. Loads should move freely during washing.
- **Did you wrap items around the agitator?** Drop items loosely into the washer. Do not wrap items around the agitator.

---

### Gray whites, dingy colors

---

- **Did you properly sort the load?** Dye transfer can occur when mixing whites and colors in a load. Sort dark clothes from whites and lights.
- **Was the wash temperature too low?** Use hot or warm washes if safe for the load. Make sure your hot water system is adequate to provide a hot water wash.
- **Did you use enough detergent, or do you have hard water?** Use more detergent for washing heavy soils in cold or hard water.
- **Are the hot and cold water hoses reversed?** Check to be sure the hot and cold water hoses are connected to the right faucets. See the Installation Instructions.

---

### Garments damaged

---

- **Check the following:**
  - Were sharp items removed from pockets before washing? Empty pockets, zip zippers, snap or hook fasteners before washing.
  - Were strings and sashes tied to prevent tangling?
  - Were items damaged before washing? Mend rips and broken threads in seams before washing.
- **Did you overload the washer?** The wash load must be balanced and not overloaded. Loads should move freely during washing.
- **Did you add chlorine bleach properly?** Do not pour chlorine bleach directly onto load. Wipe up bleach spills. Undiluted bleach will damage fabrics. Do not place load items on top of the bleach dispenser when loading and unloading the washer (on some models).
- **Did you follow the manufacturer's care label instructions?**

---

# PROTECTION AGREEMENTS

---

## In the U.S.A.

### Master Protection Agreements

Congratulations on making a smart purchase. Your new Kenmore® appliance is designed and manufactured for years of dependable operation. But like all products, it may require preventive maintenance or repair from time to time. That's when having a Master Protection Agreement can save you money and aggravation.

*Purchase a Master Protection Agreement now and protect yourself from unexpected hassle and expense.*

The Master Protection Agreement also helps extend the life of your new appliance. Here's what's included in the Agreement:

- ✓ **Expert service** by our 12,000 professional repair specialists
- ✓ **Unlimited service and no charge** for parts and labor on all covered repairs
- ✓ **"No-lemon" guarantee** – replacement of your covered product if four or more product failures occur within twelve months
- ✓ **Product replacement** if your covered product can't be fixed
- ✓ **Annual Preventive Maintenance Check** at your request – no extra charge
- ✓ **Fast help by phone** – phone support from a Sears technician on products requiring in-home repair, plus convenient repair scheduling
- ✓ **Power surge protection** against electrical damage due to power fluctuations
- ✓ **Rental reimbursement** if repair of your covered product takes longer than promised

Once you purchase the Agreement, a simple phone call is all that it takes for you to schedule service. You can call anytime day or night, or schedule a service appointment online.

Sears has over 12,000 professional repair specialists, who have access to over 4.5 million quality parts and accessories. That's the kind of professionalism you can count on to help prolong the life of your new purchase for years to come. Purchase your Master Protection Agreement today!

**Some limitations and exclusions apply. For prices and information, call 1-800-827-6655.**

### Sears Installation Service

For Sears professional installation of home appliances, garage door openers, water heaters, and other major home items, in the U.S.A. call **1-800-4-MY-HOME®**.

## In Canada

### Maintenance Agreements

Your purchase has added value because you can depend on Sears HomeCentral® for service. With over 2,400 Service Technicians and access to over 900,000 parts and accessories, we have the tools, parts, knowledge and skills to back our pledge: We Service What We Sell.

Your Kenmore® appliance is designed, manufactured and tested to provide years of dependable operation. Yet any major appliance may require service from time to time. The Sears Maintenance Agreement offers you an outstanding service program, affordably priced.

### The Sears Maintenance Agreement

- Guarantees tomorrow's service at today's price.
- Eliminates repair bills resulting from normal wear and tear.
- Covers nontechnical and instructional service calls.
- Provides an annual Preventive Maintenance Check, at your request, to ensure that your appliance is in proper running condition.

**Some limitations apply. For information concerning Sears HomeCentral® Maintenance Agreements, call 1-800-361-6665.**



---

# KENMORE® WASHER WARRANTY

## Limited Lifetime Warranty on White Porcelain Basket

For the lifetime of the washer from the date of purchase, Sears will replace the white porcelain wash basket if it chips or rusts due to defective material or workmanship. After the first year, you will be charged for labor.

## Limited 10-Year Warranty on Plastic Tub\*

For the second through tenth year from the date of purchase, Sears will replace the plastic tub if it is defective in material or workmanship. After the first year, you will be charged for labor.

## Limited 5-Year Warranty on Gearcase Parts\*

For the second through fifth year from the date of purchase, Sears will replace any gearcase parts that are defective in material or workmanship. After the first year, you will be charged for labor.

## Full 1-Year Warranty on "Spreckle" Porcelain Basket

For one year from the date of purchase, when this washer is installed and operated according to the instructions that come with it, Sears will replace the "spreckle" (speckled surface) porcelain wash basket if it chips or rusts due to defective material or workmanship.

## Full 1-Year Warranty on Mechanical and Electrical Parts

For one year from the date of purchase, when this washer is installed and operated according to the instructions that come with it, Sears will repair or replace any of its mechanical or electrical parts if they are defective in material or workmanship.

Service must be provided by a Sears Service Department in the United States or Canada or an authorized agent.

## Warranty Restriction

If this washer is operated for any purpose other than private family use, all warranty coverage is restricted to 90 days from the date of purchase.

## Warranty Service

Warranty service is available by contacting Sears at **1-800-4-MY-HOME**®. This warranty applies only while the product is in use in the United States or Canada.

This warranty gives you specific legal rights and you may also have other rights which vary from state to state or province to province.

For Sears warranty information or to contact a Sears Service Center, please reference the service numbers located on the back page of this manual.

**Sears, Roebuck and Co.**  
**D/817WA, Hoffman Estates, IL 60179**  
**Sears Canada Inc.**  
**Toronto, Ontario, Canada M5B 2B8**

\*In Canada a different warranty may apply.

# INSTRUCCIONES PARA EL USUARIO DE LA LAVADORA

## Registro del producto

Para obtener asistencia acerca del servicio o la garantía, usted necesitará tener la siguiente información. Tenga esta información disponible cuando se ponga en contacto con Sears acerca de su electrodoméstico.

Para ponerse en contacto con Sears, sírvase tomar como referencia la Garantía y la contraportada de este manual.

En el espacio siguiente, anote su número completo de modelo y serie así como la fecha de compra. Podrá encontrar esta información en la etiqueta con el número del modelo y de la serie, ubicados debajo de la tapa de la lavadora.

Número de modelo **110.** \_\_\_\_\_

Número de serie \_\_\_\_\_

Fecha de compra \_\_\_\_\_

**Guarde estas instrucciones y su comprobante de compra para referencia futura.**

## SEGURIDAD DE LA LAVADORA

### Su seguridad y la seguridad de los demás es muy importante.

Hemos incluido muchos mensajes importantes de seguridad en este manual y en su electrodoméstico. Lea y obedezca siempre todos los mensajes de seguridad.



Este es el símbolo de advertencia de seguridad.

Este símbolo le llama la atención sobre peligros potenciales que pueden ocasionar la muerte o una lesión a usted y a los demás.

Todos los mensajes de seguridad irán a continuación del símbolo de advertencia de seguridad y de la palabra "PELIGRO" o "ADVERTENCIA". Estas palabras significan:

**⚠ PELIGRO**

**Si no sigue las instrucciones de inmediato, usted puede morir o sufrir una lesión grave.**

**⚠ ADVERTENCIA**

**Si no sigue las instrucciones, usted puede morir o sufrir una lesión grave.**

Todos los mensajes de seguridad le dirán el peligro potencial, le dirán cómo reducir las posibilidades de sufrir una lesión y lo que puede suceder si no se siguen las instrucciones.

## INSTRUCCIONES IMPORTANTES DE SEGURIDAD

**ADVERTENCIA:** Para reducir el riesgo de incendio, choque eléctrico o lesiones a personas al usar su lavadora, siga las precauciones básicas, incluyendo las siguientes:

- Lea todas las instrucciones antes de usar la lavadora.
- No lave artículos que hayan sido previamente limpiados, lavados, remojados o humedecidos con gasolina, solventes para lavar en seco, u otras sustancias inflamables o explosivas ya que éstas emanan vapores que podrían encenderse o causar una explosión.
- No agregue gasolina, solventes para lavar en seco, u otras sustancias inflamables o explosivas al agua de lavado. Estas sustancias emanan vapores que podrían encenderse o causar una explosión.
- En ciertas condiciones, puede generarse gas hidrógeno en un sistema de agua caliente que no se haya usado por dos semanas o un período mayor. EL GAS HIDRÓGENO ES EXPLOSIVO. Si no se ha usado el agua caliente durante dicho período, antes de usar la lavadora, abra todos los grifos de agua caliente y deje que corra el agua por varios minutos. Esto liberará todo el gas hidrógeno que se haya acumulado. Debido a la inflamabilidad de dicho gas, no fume ni use una llama abierta durante este lapso.
- No permita que los niños jueguen encima o dentro de la lavadora. Es necesario una supervisión cuidadosa de los niños toda vez que se use la lavadora cerca de ellos.
- Antes de poner la lavadora fuera de servicio o desecharla, quitele la puerta o la tapa.
- No introduzca las manos en la lavadora si el tambor, la tina, o el agitador están funcionando.
- No instale ni almacene esta lavadora donde pudiese estar sometida a la intemperie.
- No trate de forzar los controles.
- No repare ni cambie pieza alguna de la lavadora ni intente realizar tarea alguna de servicio técnico, excepto cuando así se le indique específicamente en este manual o en instrucciones de reparación para el usuario publicadas, que usted entienda y para cuya ejecución cuente con la habilidad necesaria.
- Para obtener información respecto a los requisitos de conexión a tierra, refiérase a los "Requisitos Eléctricos".

### GUARDE ESTAS INSTRUCCIONES

## USO DE LA LAVADORA

### Cómo cargar

Para estas cargas de volumen completo recomendadas, coloque el control de tamaño de carga (LOAD SIZE) a la posición de la carga más grande.

#### LAVADORAS DE CAPACIDAD SUPER Y DE CAPACIDAD SUPER PLUS

Ropa de trabajo pesado	Carga mixta	Toallas	Ropa delicada
3 pares de pantalones 3 camisas 4 pares de jeans 1 traje de mecánico 1 overol	3 sábanas matrimoniales 4 fundas 8 playeras 6 pares de shorts 2 camisas 2 blusas 8 pañuelos	10 toallas de baño 10 toallas de mano 14 toallas faciales 1 tapete de baño	3 camisolas 1 bata acolchonada 4 fondos 4 calzones 2 brasieres 2 camisones 1 vestido de bebé

#### LAVADORAS DE CAPACIDAD EXTRA GRANDE Y CAPACIDAD EXTRA GRANDE PLUS

Ropa de trabajo pesado	Carga mixta	Toallas	Ropa delicada
2 pares de pantalones 3 camisas 3 pares de jeans 1 traje de mecánico	2 sábanas matrimoniales ó 1 sábana tamaño king 4 fundas 6 playeras 6 pares de shorts 2 camisas 2 blusas 6 pañuelos	8 toallas de baño 8 toallas de mano 10 toallas faciales 1 tapete de baño	3 camisolas 4 fondos 4 calzones 2 brasieres 2 camisones

### ⚠ ADVERTENCIA



#### Peligro de Incendio

**Nunca coloque en la lavadora artículos que estén humedecidos con gasolina o cualquier otro líquido inflamable.**

**Ninguna lavadora puede eliminar completamente el aceite.**

**No seque ningún artículo que haya tenido alguna vez cualquier tipo de aceite (incluyendo aceites de cocina).**

**No seguir estas instrucciones puede ocasionar la muerte, explosión o incendio.**

### ⚠ ADVERTENCIA



#### Peligro de Choque Eléctrico

**Conecte a un contacto de pared de conexión a tierra de 3 terminales.**

**No quite el terminal de conexión a tierra.**

**No use un adaptador.**

**No use un cable eléctrico de extensión.**

**No seguir estas instrucciones puede ocasionar la muerte, incendio o choque eléctrico.**

1. Mida el detergente y viértalo en la lavadora. Agregue blanqueador en polvo o blanqueador líquido no decolorante, si lo desea. Coloque en la lavadora la ropa seleccionada de modo que quede suelta.

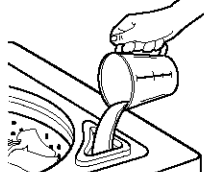
- Coloque las prendas de manera uniforme para mantener el equilibrio de la lavadora. Mezcle artículos grandes con artículos pequeños. Las prendas deben moverse con facilidad en el agua de lavado. El sobrecargar la lavadora puede causar una limpieza insatisfactoria.

2. (OPCIONAL) Agregue el blanqueador líquido con cloro.

**NOTA:** Siga las instrucciones del fabricante para un uso seguro. El blanqueador no diluido daña cualquier tejido que toque. Estos daños aparecen como rasgaduras, roturas o decoloraciones y quizás no aparezcan hasta después de varias lavadas. Use una taza con un pico vertedor para evitar derrames. No deje que el blanqueador salpique, gotee, o corra dentro de la canasta de la lavadora. Siempre mida el blanqueador líquido con cloro. No lo haga al cálculo. Nunca use más de la cantidad recomendada por el fabricante para una carga completa. Use menos con una carga de menor tamaño.

**Estilo 1:** Con depósito del blanqueador con cloro (en algunos modelos)

- Use solamente blanqueador con cloro líquido en este depósito. Vierta una medida de blanqueador líquido con cloro en el depósito del blanqueador líquido con cloro. El blanqueador se vierte en la lavadora de inmediato y se diluye automáticamente en la etapa de lavado del ciclo.



**Estilo 2:** Sin depósito del suavizante líquido de telas (en algunos modelos)

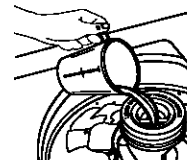
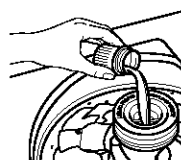
- Deje que la lavadora se llene y comience a agitar la ropa.
- Agregue el blanqueador después de 5 minutos del ciclo de lavado para los mejores resultados y de modo que pueda eliminarse en el ciclo de enjuague. Vierta el blanqueador alrededor del agitador, no directamente sobre la ropa.

3. (OPCIONAL) Agregue el suavizante líquido de telas.

**NOTA:** No derrame o gotee el suavizante de telas sobre las prendas. El suavizante de telas sin diluir puede manchar la tela. Siempre diluya el suavizante de telas con agua tibia. El exceso de suavizante de telas puede quitar la capacidad de absorción de algunos productos (pañales y toallas). Si sucede esto, no lo use o use menos en cada carga.

**Estilo 1:** Con depósito del suavizante líquido de telas (en algunos modelos)

- Use solamente suavizante de telas líquido en este depósito. Vierta el suavizante líquido de telas en el depósito. El suavizante se incorpora automáticamente durante la etapa de enjuague del ciclo. Diluya el suavizante líquido de telas llenando el depósito con agua tibia hasta que el líquido llegue a la cruceta en la abertura del depósito.



**Estilo 2:** Sin depósito del suavizante líquido de telas (en algunos modelos)

- Agregue el suavizante de telas que ha sido diluido con ½ a 1 taza (125 a 250 mL) de agua tibia SOLAMENTE en el enjuague final.

4. Cierre la tapa de la lavadora.
5. Gire el selector de tamaño de carga (LOAD SIZE) al ajuste adecuado para la carga y el tipo de tela que va a lavar. Usted puede cambiar el tamaño de la carga después de que haya empezado a llenarse la lavadora girando el selector a un ajuste diferente.
6. Fije el selector de temperatura (TEMPERATURE) al ajuste adecuado para el tipo de tela y suciedad que va a lavar. Use el agua más caliente que la tela pueda resistir. Siga las instrucciones de la etiqueta de las prendas.

**NOTA:** En temperaturas de agua inferiores a 70°F (21°C), los detergentes no se disuelven bien. Además puede ser difícil quitar la suciedad. Algunas telas pueden retener las arrugas del uso y aumentar la formación de motitas (la formación de pequeñas bolitas en la superficie de las prendas).

7. (OPCIONAL) Selector de enjuague adicional (EXTRA RINSE) (en algunos modelos). Para obtener un enjuague y exprimido adicional al final del ciclo de lavado, fije el selector de enjuague adicional (EXTRA RINSE) en Encendido (ON). En algunos modelos, la función de Enjuague adicional (EXTRA RINSE) es parte del ciclo.
8. Empuje la perilla de control de ciclos y gírela en la dirección de las manecillas del reloj hasta el ciclo de lavado que desee. Reduzca el tiempo de lavado cuando use un ajuste para cargas pequeñas. Jale la perilla del control de ciclos para poner la lavadora en marcha.



**Para detener o volver a poner en marcha su lavadora:**

- Para detener la lavadora en cualquier momento, empuje la perilla de control de ciclos.
- Para volver a poner en marcha la lavadora, cierre la tapa (si está abierta) y jale la perilla de control de ciclos.

## CUIDADO DE LA LAVADORA

### Cómo limpiar su lavadora

Use un paño o una esponja suave y húmeda para limpiar cualquier derrame, tales como los de detergente o blanqueador, de la parte exterior de su lavadora.

Limpie el interior de su lavadora mezclando 1 taza (250 mL) de blanqueador con cloro y 2 tazas (500 mL) de detergente. Vierta esta mezcla en su lavadora y deje funcionar su lavadora durante un ciclo completo, utilizando agua caliente. Repita este proceso si fuera necesario.

Quite los depósitos endurecidos de agua usando solamente productos de limpieza cuya etiqueta indica que pueden emplearse en lavadoras.

**Limpieza del depósito del suavizante líquido de telas (en algunos modelos):**

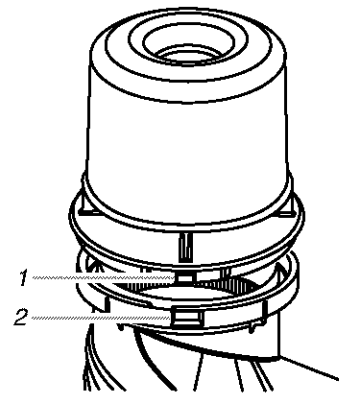
**Estilo 1:** Con anillo azul de sujeción

1. Levante el anillo azul de sujeción, luego saque el depósito del agitador jalándolo hacia arriba. Lave el depósito con agua tibia.
2. Cerciérese de que el anillo azul de sujeción esté levantado. Partiendo en un ángulo, empuje hacia adentro la parte inferior del depósito sobre la parte superior del agitador. Cuando el depósito se asiente en el agitador, empuje el anillo azul de sujeción hacia el fondo hasta encajarlo en su lugar. Debe quedar apretado.

**Estilo 2:** Sin anillo azul de sujeción

1. Sostenga la sección superior del agitador con una mano. Con la otra mano gire el depósito hacia la derecha hasta que se detenga (aproximadamente 1 pulg. [2,54 cm]). Levante el depósito directamente hacia arriba para quitarlo. Separe la sección superior de la sección inferior del depósito con un movimiento ondulante. Lave las tres partes (la base, la taza con forma cónica y la parte superior) con detergente suave en agua tibia.
2. Ensamble las tres partes juntando y presionando las secciones superior e inferior, y asegurándose de que el extremo puntiagudo de la taza con forma cónica apunte hacia la base. Si se salió el sello al sacar el depósito del agitador, instale el sello como se muestra debajo.

3. Instale el depósito alineando las dos lengüetas de sujeción sobre la sección inferior del depósito con las pequeñas ranuras que están sobre la parte superior del agitador. Empuje el depósito hacia el fondo hasta que lo escuche encajar en su lugar. Si no puede cerrar a presión las lengüetas de fijación en su lugar, verifique el sello. Debe estar colocado como se muestra en el Paso 2.



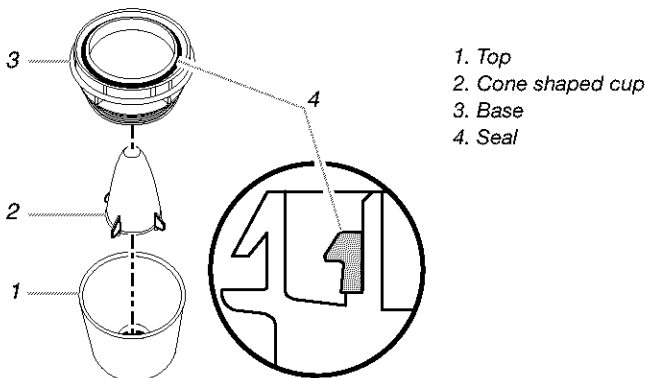
1. Lengüeta de fijación en la base del depósito
2. Ranuras pequeñas en el agitador

**IMPORTANTE:** Algunos modelos tienen un depósito de suavizante líquido de telas. Para evitar daños en la lavadora o en las prendas, no lave la ropa si ha quitado el depósito de suavizante líquido de telas, ni agregue detergente o blanqueador en este depósito ya que es para uso exclusivo del suavizante líquido de telas.

### Mangueras de entrada de agua

Reemplace las mangueras de entrada de agua después de 5 años de uso para reducir el riesgo de fallas. Revise periódicamente y cambie las mangueras de entrada si se hallan protuberancias, torceduras, cortes, desgaste o pérdidas de agua.

Cuando reemplace sus mangueras de entrada de agua, anote la fecha de reposición en la etiqueta con un marcador permanente.



1. Top
2. Cone shaped cup
3. Base
4. Seal

## Mudanza y almacenaje

Debido a que puede quedar un poco de agua en las mangueras, el congelamiento de la misma podría dañar su lavadora. Si va a guardar o trasladar su lavadora durante una temporada de invierno riguroso, acondiciónela para el invierno.

### Cómo preparar su lavadora para el invierno

1. Cierre ambos grifos de agua. Desconecte y elimine el agua de las mangueras de entrada de agua. Vierta 1 cuarto (1 L) de anticongelante tipo R.V. en la canasta.
2. Ponga a funcionar la lavadora en un ajuste de desagüe y exprimido por 30 segundos aproximadamente para mezclar el anticongelante y el agua.
3. Desenchufe la lavadora o desconecte el suministro de energía.

### Para volver a usar la lavadora

1. Deje correr el agua por los tubos y las mangueras. Vuelva a conectar las mangueras de entrada de agua. Abra ambos grifos de agua.
2. Enchufe la lavadora o reconecte el suministro de energía.
3. Ponga a funcionar la lavadora por un ciclo completo con 1 taza (250 mL) de detergente para limpiar el anticongelante.

### Almacenaje, falta de uso o cuidado durante las vacaciones

Ponga a funcionar su lavadora únicamente cuando esté en casa. Si va a salir de vacaciones o no va a usar la lavadora durante un período prolongado de tiempo usted debe:

1. Desenchufe la lavadora o desconecte el suministro de energía.
2. Interrumpir el suministro de agua a la lavadora. Esto ayuda a evitar inundaciones accidentales (debido a aumentos en la presión del agua) en ausencia suya.

# SOLUCIÓN DE PROBLEMAS

En primer lugar, pruebe las soluciones sugeridas aquí y posiblemente se evite el gasto de una llamada de servicio técnico...

## Lavadora y componentes

### Ruidosos

- **¿Está la carga equilibrada y la lavadora nivelada?** La carga de lavado debe estar equilibrada y sin sobrecarga. La lavadora debe estar nivelada. Las patas delanteras deben estar debidamente instaladas y las tuercas ajustadas. Reajuste las patas niveladoras traseras (de ser necesario). Consulte las Instrucciones de instalación.
- **¿Ha quitado por completo la cinta amarilla de seguridad con chavetas para la transportación?** Consulte las Instrucciones de instalación.
- **¿Están cambiando de velocidad los engranajes después del desagüe y antes del exprimido, o está la parte superior del agitador haciendo chasquidos durante el lavado?** Estos ruidos de la lavadora son normales.

### Pierde agua

- **Verifique lo siguiente:**
  - ¿Están ajustadas las mangueras de llenado?
  - ¿Están debidamente colocadas las arandelas de las mangueras de llenado?
  - ¿Se ha instalado debidamente la abrazadera de la manguera de desagüe? Consulte las Instrucciones de instalación.
- **¿Está obstruido el lavadero o el desagüe?** El lavadero y el tubo vertical deben tener la capacidad para desplazar 17 gal. (64 L) de agua por minuto.
- **¿Se está desviando el agua fuera del aro del tambor o de la carga?** Centre el tambor antes de poner la lavadora en marcha. La carga de lavado debe estar equilibrada y sin sobrecarga. El llenado o los enjuagues por rocío pueden desviarse de la carga. La lavadora debe estar nivelada. Las patas delanteras deben estar debidamente instaladas y las tuercas ajustadas. Reajuste las patas niveladoras traseras (de ser necesario). Consulte las Instrucciones de instalación.
- **Revise la plomería de la casa y fíjese si hay fugas de agua.**

### La canasta está torcida

- **¿Ha jalado hacia adelante la canasta de la lavadora al cargar la ropa?** Empuje la canasta al centro antes de comenzar a lavar.
- **¿Está la carga equilibrada y la lavadora nivelada?** La carga de lavado debe estar equilibrada y sin sobrecarga. La lavadora debe estar nivelada. Las patas delanteras deben estar debidamente instaladas y las tuercas ajustadas. Reajuste las patas niveladoras traseras (de ser necesario). Consulte las Instrucciones de instalación.
- **La canasta de la lavadora se mueve durante el lavado.** Esto es normal.

### Funcionamiento del agitador

- **La parte superior del agitador está floja, o se mueve en una sola dirección.** Esto es normal.

### Los depósitos están obstruidos o hay pérdida de blanqueador

- **¿Ha seguido las instrucciones del fabricante cuando agregó el detergente y el suavizante de telas en los depósitos (en algunos modelos)?** Mida el detergente y el suavizante de telas. Viértalos con cuidado en los depósitos. Limpie todos los derrames. Diluya el suavizante de telas en el depósito del suavizante de telas.
- **¿Ha puesto blanqueador en polvo o blanqueador líquido no decolorante en el depósito del blanqueador con cloro líquido (en algunos modelos)?** Agregue el blanqueador en polvo o blanqueador líquido no decolorante directamente en la canasta. No use el depósito del blanqueador líquido con cloro para el blanqueador no decolorante.

---

## Funcionamiento de la lavadora

---

### La lavadora se detiene, no llena, no enjuaga o no agita

---

#### ■ Verifique lo siguiente:

- ¿Está el cable eléctrico enchufado en un tomacorriente de tres terminales y conectado a tierra?
- ¿Está el indicador de la perilla del Control de ciclos debidamente alineado con un ciclo? Gire la Perilla de control de ciclos ligeramente a la derecha y júlela para poner en marcha.
- ¿Están obstruidos los filtros de la válvula de entrada del agua?
- ¿Están abiertos los grifos del agua caliente y del agua fría?
- ¿Está retorcida la manguera de entrada del agua?

#### ■ ¿Parece que el nivel del agua está demasiado bajo, o parece que la lavadora no se llena por completo? La parte superior del agitador está mucho más alta que el nivel más alto del agua. Esto da la impresión de que la lavadora no se llena por completo. Esto es normal y necesario para el movimiento apropiado de la ropa.

- ¿Se ha quemado un fusible o se ha disparado el cortacircuitos? Si el problema continúa, llame a un electricista.
- ¿Está usando un cable eléctrico de extensión? No use un cable de extensión.
- ¿Está la lavadora en una pausa normal en el ciclo? La lavadora hace una pausa por unos 2 minutos durante ciertos ciclos. Deje continuar el ciclo. Algunos ciclos presentan períodos de agitación y remojo.
- ¿Está sobrecargada la lavadora? Lave cargas más pequeñas.
- ¿Está abierta la tapa? La tapa debe estar cerrada durante el funcionamiento. La lavadora no agitará ni exprimirá con la tapa abierta.

---

### La lavadora no desagua ni exprime

---

- ¿Está obstruida la manguera de desagüe, o está el extremo de la manguera de desagüe a más de 96 pulg. (244 cm) por encima del piso? Vea las Instrucciones de instalación para la instalación adecuada de la manguera de desagüe.
- ¿Está abierta la tapa? La tapa debe estar cerrada durante el funcionamiento. La lavadora no agitará ni exprimirá con la tapa abierta.
- ¿Hay demasiada espuma? Siempre mida el detergente. Siga las indicaciones del fabricante. Si tiene agua muy suave, quizás necesite menos detergente.

---

### La lavadora continúa llenando o desaguando, el ciclo parece estar atascado

---

- ¿Está la parte superior de la manguera de desagüe más baja que el nivel de agua en la lavadora? Para un funcionamiento adecuado, la parte superior de la manguera debe quedar más alta que el nivel del agua en la lavadora. Consulte las Instrucciones de instalación.
- ¿La manguera de desagüe encaja de manera forzada en el tubo vertical o está adherida con cinta al tubo vertical? La manguera de desagüe debe estar floja pero debe encajar bien. No selle la manguera de desagüe con cinta adhesiva. La manguera necesita una abertura para el flujo de aire. Consulte las Instrucciones de instalación.

---

### La temperatura de lavado/enjuague no es la que yo seleccioné

---

- ¿Se han invertido las mangueras de entrada del agua caliente y del agua fría? Para obtener más información, vea las Instrucciones de Instalación. A medida que aumente la frecuencia de lavado de las cargas, es posible que disminuya la temperatura para las selecciones de temperatura de agua caliente y tibia. Esto es normal.
- ¿Ha seleccionado un ajuste de temperatura Warm/Warm (Tibia/Tibia)? En los modelos sin CONTROL AUTOMÁTICO DE TEMPERATURA (CAT) que tienen ajuste de temperatura Warm/Warm (Tibia/Tibia), al lavado con agua tibia le sigue un enjuague con agua fría de ahorro de energía seguido de rociados de enjuague tibios. Esto ahorra energía mientras provee el mismo rendimiento de enjuague.

---

## Resultados de la lavadora

---

### Ropa demasiado mojada

---

- ¿Ha empleado el ciclo correcto para la carga que está lavando? Seleccione un ciclo con un exprimido más fuerte (si está disponible).
- ¿Ha usado un enjuague con agua fría? Los enjuagues con agua fría dejan las cargas más mojadas que los enjuagues con agua tibia. Esto es normal.

---

### Residuos o pelusa en la ropa

---

- ¿Ha separado la ropa adecuadamente? Separe las prendas que sueltan pelusa (toallas, felpilla) de las que atraen pelusa (pana, artículos sintéticos). También separe por color.
- ¿Ha sobrecargado la lavadora? La carga de lavado debe estar equilibrada y sin sobrecarga. La ropa debe moverse con libertad. Si la lavadora está sobrecargada, la pelusa puede quedar adherida a las prendas. Lave cargas más pequeñas.
- ¿Ha seleccionado el nivel de agua correcto? El nivel de agua debe ser el apropiado para el tamaño de la carga. La ropa debe moverse con libertad en el agua.
- ¿Ha usado suficiente detergente? Siga las indicaciones del fabricante. Use suficiente detergente para mantener la pelusa en el agua.
- ¿Ha secado la ropa en el tendedero? Si es así, es posible que quede algo de pelusa en la ropa.
- Verifique lo siguiente:

¿Se dejó papel o pañuelo de papel en los bolsillos?

¿Está la temperatura del agua por debajo de 70°F (21°C)? El agua de lavado con una temperatura inferior a 70°F (21°C) quizás no disuelva por completo el detergente.

¿Ha usado el tiempo del ciclo apropiado para la carga? Otra manera de reducir la formación de pelusa es reducir el tiempo (la duración) de lavado.

---

### Manchas en la ropa

---

- ¿Ha seguido las instrucciones del fabricante cuando agregó el detergente y el suavizante de telas? Mida el detergente y el suavizante de telas. Use suficiente detergente para quitar la suciedad y mantenerla en suspensión. Diluya el suavizante de telas y agréguelo solamente en la porción de enjuague del ciclo. No deje escurrir el suavizante de tejidos sobre la ropa.

- **¿Hay hierro (óxido) por encima del promedio en el agua?** Tal vez necesite instalar un filtro de óxido ferroso.
- **¿Ha separado la ropa adecuadamente?** Separe las prendas de color oscuro de las blancas y claras.
- **¿Ha descargado la lavadora con rapidez?** Para evitar la transferencia de tintes, descargue la lavadora tan pronto como se detenga.

### La ropa está arrugada

- **¿Ha descargado la lavadora con rapidez?** Descargue la lavadora tan pronto como se detenga.
- **¿Ha empleado el ciclo correcto para la carga que está lavando?** Use el ciclo para ropa Informal o de Planchado permanente, u otro ciclo con bajas velocidades de exprimido (si está disponible) para reducir arrugas.
- **¿Ha sobrecargado la lavadora?** La carga de lavado debe estar equilibrada y sin sobrecarga. Las prendas deben moverse con facilidad durante el lavado.  
Use un tamaño de carga grande para proporcionar mayor espacio y de esta manera reducir las arrugas en las prendas de planchado permanente y algunos tejidos sintéticos.
- **¿Estaba el agua de lavado suficientemente tibia como para suavizar las arrugas, o está enjuagando con agua tibia?** Si no va a afectar las prendas, use agua tibia o caliente para el lavado. Para el enjuague, emplee agua fría.
- **¿Se han invertido las mangueras del agua caliente y del agua fría?** Cerciórese de que las mangueras del agua caliente y del agua fría estén conectadas a las llaves correctas. Consulte las Instrucciones de instalación.

### La ropa está enredada o enroscada

- **¿Ha sobrecargado la lavadora?** La carga de lavado debe estar equilibrada y sin sobrecarga. Las prendas deben moverse con facilidad durante el lavado.
- **¿Ha enrollado las prendas alrededor del agitador?** Ponga los artículos de manera suelta en la lavadora. No enrolle los artículos alrededor del agitador.

### Ropa blanca grisácea y colores opacos

- **¿Ha separado la ropa adecuadamente?** Siempre que mezcle ropa blanca y de color en una carga puede ocurrir una transferencia de tintes. Separe las prendas de color oscuro de las blancas y claras.
- **¿Estaba la temperatura del agua demasiado baja?** Para lavar use agua caliente o tibia que no afecte la ropa. Cerciórese de que el sistema de agua caliente sea el adecuado para proveer un lavado con agua caliente.
- **¿Ha usado suficiente detergente, o tiene agua dura?** Use más detergente cuando lave prendas con suciedad rebelde en agua dura.
- **¿Se han invertido las mangueras del agua caliente y del agua fría?** Cerciórese de que las mangueras del agua caliente y del agua fría estén conectadas a las llaves correctas. Consulte las Instrucciones de instalación.

### Prendas dañadas

- **Verifique lo siguiente:**  
¿Se han quitado los artículos puntiagudos de los bolsillos antes del lavado? Vacíe los bolsillos, cierre los zippers, los broches de presión y los corchetes antes del lavado.  
¿Se ataron los cordones y fajas para evitar que se enreden?

¿Se dañaron las prendas antes del lavado? Remiende lo que esté roto y descosido antes del lavado.

- **¿Ha sobrecargado la lavadora?** La carga de lavado debe estar equilibrada y sin sobrecarga. Las prendas deben moverse con facilidad durante el lavado.
- **¿Ha agregado correctamente el blanqueador con cloro?** No vierta el blanqueador con cloro directamente en la carga. Limpie los derrames del blanqueador. El blanqueador no diluido daña los tejidos. No coloque los artículos sobre el depósito del blanqueador cuando ponga o quite la ropa de la lavadora (en algunos modelos).
- **¿Ha seguido las instrucciones de la etiqueta de cuidado proporcionadas por el fabricante?**

## Instrucciones en la tapa

Estas instrucciones se encuentran debajo de la tapa de su lavadora.

### Sugerencias de empleo

- DEPÓSITO** Agregue el blanqueador líquido con cloro líquido en el depósito, 5 min. después de haber empezado el ciclo para obtener resultados óptimos de lavado. No use BLANQUEADOR EN POLVO EN ESTE DEPÓSITO. Agregue una medida del suavizante de telas en el depósito montado sobre el agitador. Agregue el detergente medido en la canasta de la lavadora.
- 1. SELECCIONE Y REGULE.** Para seleccionar, use estos controles de la lavadora: (algunas lavadoras quizás no tengan todos estos controles)
- **NIVEL DEL AGUA** Regule según el tamaño de la carga de lavado (WATER LEVEL).
  - **TEMPERATURA DE LAVADO/ENJUAGUE (WASH/RINSE TEMP)** Use las opciones de la Temperatura Automática (AUTO TEMP) para obtener óptimos resultados de lavado.
  - **VELOCIDADES (SPEEDS)** Regule la velocidad según el tipo de tejidos que se esté lavando.

SÍMBOLO DEL CUIDADO DE LAS PRENDAS	CICLO DE LA LAVADORA	TIPO DE TEJIDO/CARGA
	<b>HEAVY DUTY</b> (Lavado Pesado)	<b>MEZCLILLA, TOALLAS; ROPA CON SUCIEDAD PROFUNDA</b>
	<b>REGULAR</b> (Normal)	<b>PRENDAS DE ALGODÓN</b>
	<b>PERM PRESS</b> (Planchado Permanente)	<b>FIBRAS SINTÉTICAS</b>
	<b>DELICATE</b> (Delicado)	<b>TEJIDOS DE PUNTO</b>
	<b>HAND WASH</b> (Lavado a Mano)	<b>LENCERÍA</b>



SÍMBOLO DEL CUIDADO DE LAS PRENDAS	SELECCIÓN DE TEMPERATURA DEL AGUA	RECOMENDACIÓN SOBRE EL BLANQUEADOR
•••	LAVADO CON AGUA CALIENTE	
••	LAVADO CON AGUA TIBIA	
•	LAVADO CON AGUA FRIA	
△		CUALQUIER BLANQUEADOR
△		BLANQUEADOR SIN CLORO
▲		NO USE BLANQUEADOR

2. SELECCIONE EL CICLO

Seleccione más tiempo para lavar ropa con suciedad profunda y menos tiempo para lavar ropa con suciedad ligera.

3. JALE EL TEMPORIZADOR PARA COMENZAR

La tapa deberá estar cerrada para completar el ciclo. EMPUJE HACIA ADENTRO EL TEMPORIZADOR PARA DETENER EL CICLO.

## CONTRATOS DE PROTECCIÓN

En los EE.UU.

### Contratos Maestros de Protección

¡Felicitaciones por su inteligente adquisición! Su nuevo electrodoméstico Kenmore® ha sido diseñado y fabricado para brindarle años de funcionamiento confiable. Pero al igual que todos los productos, puede necesitar mantenimiento preventivo o reparación de vez en cuando. Es allí donde el Contrato Maestro de Protección puede ahorrarle dinero e inconvenientes.

Adquiera un Contrato Maestro de Protección hoy y protéjase contra molestias y gastos inesperados.

El Contrato Maestro de Protección también ayuda a prolongar la vida de su nuevo artefacto. He aquí lo que se incluye en el Contrato:

- ✓ **Servicio experto** por nuestros 12.000 especialistas en reparación competentes
- ✓ **Servicio ilimitado y gratuito** para repuestos y mano de obra en todas las reparaciones protegidas por el contrato
- ✓ **Garantía "sin disgustos"** - reemplazo de su producto protegido si ocurren cuatro o más fallas del producto en el transcurso de doce meses
- ✓ **Reemplazo del producto** si su producto protegido no puede ser reparado
- ✓ **Revisión Anual de Mantenimiento Preventivo** a solicitud suya - sin costo adicional
- ✓ **Ayuda rápida por teléfono** - asistencia por teléfono a cargo de un técnico de Sears para productos que deban ser reparados en su hogar, además de un horario de reparación conveniente
- ✓ **Protección de sobrevoltaje** contra daños eléctricos debido a fluctuaciones de electricidad
- ✓ **Reembolso de la renta** si la reparación de su producto protegido tarda más de lo prometido

Una vez adquirido el Contrato, tan sólo tiene que llamar para fijar la visita de servicio técnico. Usted puede llamar a cualquier hora, de día o de noche, o fijar una visita técnica en Internet.

Sears cuenta con un equipo de más de 12.000 especialistas en reparación competentes, quienes tienen a disposición más de 4,5 millones de repuestos y accesorios de calidad. Ése es el tipo de profesionalismo con el que usted puede contar para ayudarlo a prolongar la vida de su nuevo artefacto por muchos años más. ¡Adquiera hoy su Contrato Maestro de Protección!

**Se aplican algunas limitaciones y exclusiones. Para obtener precios e información adicional, llame al 1-800-827-6655.**

### Servicio de Instalación de Sears

Para la instalación profesional de artefactos electrodomésticos, abridores de puertas de garaje, calentadores de agua y otros artículos importantes de la casa, en los EE.UU. llame al 1-800-4-MY-HOME®.

En Canadá

### Contratos de mantenimiento

Su compra adquiere un nuevo valor ya que usted puede confiar en Sears HomeCentral® para obtener servicio de reparación. Con más de 2.400 especialistas capacitados en reparaciones y acceso a más de 900.000 piezas de repuesto y accesorios, contamos con las herramientas, piezas, conocimiento y la destreza para asegurarnos de respaldar nuestra promesa de que: Reparamos lo que vendemos.

Su electrodoméstico Kenmore® está diseñado, fabricado y sometido a prueba para proporcionarle años de funcionamiento confiable. No obstante, cualquier electrodoméstico moderno puede necesitar servicio técnico de vez en cuando. El contrato de mantenimiento Sears le ofrece un programa de servicio excepcional, a un precio accesible.

### El contrato de mantenimiento Sears

- Garantiza el servicio técnico del mañana a precios de hoy.
- Elimina las facturas de reparación producidas por el uso normal y el desgaste.
- Cubre las visitas de servicio no técnicas y educativas.
- Proporciona una revisión anual de mantenimiento preventivo a solicitud suya, para asegurarse de que su electrodoméstico está en condiciones apropiadas de funcionamiento.

**Se aplican ciertas restricciones. Para obtener información referente a los Contratos de mantenimiento de Sears HomeCentral®, llame al 1-800-361-6665.**

---

# GARANTÍA DE LA LAVADORA KENMORE®

## **Garantía Limitada de Vida Útil Para la Canasta de Porcelana Blanca**

Durante la vida útil de la lavadora, a partir de la fecha de compra, Sears reemplazará la canasta de lavado en porcelana blanca si ésta se desportillara u oxidara como resultado de defectos de material o de fabricación. Después del primer año, usted será responsable de los gastos de mano de obra.

## **Garantía Limitada de 10 Años para el Tambor Plástico\***

Desde el segundo año y por un máximo de diez años a partir de la fecha de compra, Sears reemplazará el tambor plástico si éste tuviese algún defecto de material o de fabricación. Después del primer año, usted será responsable de los gastos de mano de obra.

## **Garantía Limitada de 5 Años para las Piezas de la Caja de Engranajes\***

Desde el segundo año y por un máximo de cinco años a partir de la fecha de compra, Sears reemplazará cualquier pieza de la caja de engranajes que tuviese algún defecto de material o de fabricación. Después del primer año, usted será responsable de los gastos de mano de obra.

## **Garantía Integral de 1 Año para la Canasta de Porcelana con "Salpicados"**

Durante un año a partir de la fecha de compra, si se instala y pone en funcionamiento la lavadora de conformidad con las instrucciones que vienen con la misma, Sears reemplazará la canasta de lavado en porcelana con "salpicados" (superficie con salpicados) si se desportillara u oxidara como resultado de defectos de material o de fabricación.

## **Garantía Integral de 1 Año para la Piezas Mecánicas y Componentes Eléctricos**

Durante un año a partir de la fecha de compra, si se instala y pone en funcionamiento la lavadora en conformidad con las instrucciones que vienen con la misma, Sears reparará o reemplazará cualquier pieza mecánica o componente eléctrico de esta lavadora que tuviese algún defecto de material o de fabricación.

El servicio deberá ser provisto en los Estados Unidos por un departamento de servicio de Sears, o en Canadá por un agente autorizado.

## **Restricción de la Garantía**

Si se somete a esta lavadora a un uso ajeno al familiar privado, todas las coberturas de las garantías arriba citadas quedan restringidas a 90 días a partir de la fecha de compra.

## **Servicio de Reparación de la Garantía**

El servicio de reparación de la garantía está a su disposición al contactarse Sears at **1-800-4-MY-HOME®**. Esta garantía corresponde sólo mientras se use esta lavadora en los Estados Unidos o en Canadá.

Esta garantía le otorga derechos específicos legales y es posible que usted tenga también otros derechos que pueden variar de un estado al otro o de una provincia a otra.

Para recibir información acerca de la garantía de Sears, o para ponerse en contacto con un centro de servicio de Sears, sírvase tomar como referencia los números de servicio ubicados en la contraportada de este manual.

**Sears Roebuck and Co.,  
Dept. 817WA,  
Hoffman Estates, IL 60179**

**Sears Canada Inc.,  
Toronto, Ontario,  
Canada M5B 2B8**

\*La garantía que se aplique en Canadá puede ser diferente.

# INSTRUCTIONS D'UTILISATION DE LA LAVEUSE

## Enregistrement du produit

Pour obtenir de l'aide pour un service ou la garantie, vous aurez besoin des renseignements suivants. Ayez ces renseignements sous la main lorsque vous contactez Sears au sujet de votre appareil.

Pour contacter Sears, veuillez consulter la Garantie et le dos de ce manuel.

Dans l'espace ci-dessous, inscrire les numéros de modèle et de série complets et la date d'achat. Vous pouvez trouver ces renseignements sur la plaque signalétique située sous le couvercle de la laveuse.

Numéro de modèle 110. \_\_\_\_\_

Numéro de série \_\_\_\_\_

Date d'achat \_\_\_\_\_

**Conservez ces instructions et votre reçu de vente pour référence ultérieure.**

## SÉCURITÉ DE LA LAVEUSE

### Votre sécurité et celle des autres est très importante.

Nous donnons de nombreux messages de sécurité importants dans ce manuel et sur votre appareil ménager. Assurez-vous de toujours lire tous les messages de sécurité et de vous y conformer.



Voici le symbole d'alerte de sécurité.

Ce symbole d'alerte de sécurité vous signale les dangers potentiels de décès et de blessures graves à vous et à d'autres.

Tous les messages de sécurité suivront le symbole d'alerte de sécurité et le mot "DANGER" ou "AVERTISSEMENT". Ces mots signifient :

**▲ DANGER**

**Risque possible de décès ou de blessure grave si vous ne suivez pas immédiatement les instructions.**

**▲ AVERTISSEMENT**

**Risque possible de décès ou de blessure grave si vous ne suivez pas les instructions.**

Tous les messages de sécurité vous diront quel est le danger potentiel et vous disent comment réduire le risque de blessure et ce qui peut se produire en cas de non-respect des instructions.

## IMPORTANTES INSTRUCTIONS DE SÉCURITÉ

**AVERTISSEMENT :** Pour réduire les risques d'incendie, de choc électrique ou de blessures lors de l'utilisation de la laveuse, suivre les précautions fondamentales dont les suivantes :

- Lire toutes les instructions avant d'utiliser la laveuse.
- Ne pas laver des articles qui ont été nettoyés ou lavés avec de l'essence ou imbibés d'essence, solvants de nettoyage à sec, ou autres substances inflammables ou explosives; ces substances peuvent émettre des vapeurs susceptibles de s'enflammer ou d'exploser.
- Ne pas ajouter d'essence, solvant de nettoyage à sec ou autre produit inflammable ou explosif dans l'eau de lavage. Ces substances peuvent émettre des vapeurs susceptibles de s'enflammer ou d'exploser.
- Dans certaines conditions, de l'hydrogène gazeux peut se former dans un circuit d'eau chaude qui n'a pas été utilisé pendant 2 semaines ou plus. **LE GAZ HYDROGÈNE EST EXPLOSIBLE.** Si le circuit d'eau chaude n'a pas été utilisé pendant une telle période, avant d'utiliser la laveuse, ouvrir tous les robinets d'eau chaude et laisser l'eau s'écouler pendant plusieurs minutes par chaque robinet. Ceci permettra l'évacuation de l'hydrogène gazeux accumulé. Comme ce gaz est inflammable, ne pas fumer ou utiliser une flamme nue au cours de cette période.
- Ne pas laisser des enfants jouer sur ou à l'intérieur de la laveuse. Bien surveiller les enfants lorsque la laveuse est utilisée à proximité d'enfants.
- Avant de mettre la laveuse au rebut ou hors de service, enlever la porte ou le couvercle.
- Ne pas tenter d'atteindre un article à l'intérieur de la cuve de la laveuse lorsque le tambour, la cuve ou l'agitateur est en mouvement.
- Ne pas installer ou remiser cette laveuse à un endroit où elle serait exposée aux intempéries.
- Ne pas modifier les organes de commande.
- Ne pas réparer ou remplacer un composant quelconque de la laveuse, ni entreprendre une opération de service, si ce n'est spécifiquement recommandé dans ce manuel ou dans un manuel d'instructions de réparations destiné à l'utilisateur; il est alors essentiel que la personne concernée comprenne ces instructions et soit compétente pour les exécuter.
- Voir "Spécifications électriques" pour les instructions de liaison à la terre.

**CONSERVEZ CES INSTRUCTIONS**

## UTILISATION DE LA LAVEUSE

### Chargement

Pour ces exemples de charges complètes de la laveuse, régler le sélecteur de charge (LOAD SIZE) au plus haut réglage de charge.

#### LAVEUSES DE SUPER CAPACITÉ ET SUPER CAPACITÉ PLUS

Vêtements de travail lourds	Charge mixte	Serviettes	Articles délicats
3 pantalons	3 draps doubles	10 serviettes de bain	3 camisoles
3 chemises	4 taies d'oreiller	10 serviettes à main	1 robe de chambre piquée
4 jeans	8 tee-shirts	14 débarbouillettes	4 jupons
1 combinaison de travail	6 shorts	1 tapis de bain	4 culottes
1 salopette	2 chemises		2 soutiens-gorge
	2 chemisiers		2 chemises de nuit
	8 mouchoirs		1 robe de bébé

#### LAVEUSES DE TRÈS GRANDE CAPACITÉ ET TRÈS GRANDE CAPACITÉ PLUS

Vêtements de travail lourds	Charge mixte	Serviettes	Articles délicats
2 pantalons	2 draps doubles ou	8 serviettes de bain	3 camisoles
3 chemises	1 drap pour très grand lit	8 serviettes à main	4 jupons
3 jeans	4 taies d'oreiller	10 débarbouillettes	4 culottes
1 combinaison de travail	6 tee-shirts	1 tapis de bain	2 soutiens-gorge
	6 shorts		2 chemises de nuit
	2 chemises		
	2 chemisiers		
	6 mouchoirs		

### ⚠ AVERTISSEMENT



#### Risque d'incendie

**Ne jamais mettre des articles humectés d'essence ou d'autres fluides inflammables dans la laveuse.**

**Aucune laveuse ne peut complètement enlever l'huile.**

**Ne pas faire sécher des articles qui ont été salis par tout genre d'huile (y compris les huiles de cuisson).**

**Le non-respect de ces instructions peut causer un décès, une explosion ou un incendie.**

### ⚠ AVERTISSEMENT



#### Risque de choc électrique

**Brancher sur une prise à 3 alvéoles reliée à la terre.**

**Ne pas enlever la broche de liaison à la terre.**

**Ne pas utiliser un adaptateur.**

**Ne pas utiliser un câble de rallonge.**

**Le non-respect de ces instructions peut causer un décès, un incendie ou un choc électrique.**

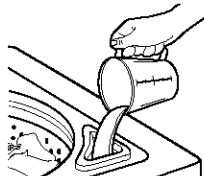
- Mesurer le détergent et le verser dans la laveuse. Si désiré, ajouter de la Javel sans danger pour les couleurs, en poudre ou liquide. Mettre une charge de vêtements triés dans la laveuse sans la tasser.
  - Charger uniformément pour maintenir l'équilibre de la laveuse. Mélanger les gros et les petits articles. Les articles doivent pouvoir se déplacer facilement dans l'eau de lavage. Une surcharge peut causer un piètre nettoyage.

- (FACULTATIF) Ajouter l'eau de Javel.

**REMARQUE :** Suivre les instructions du fabricant pour une utilisation en toute sécurité. L'eau de Javel non diluée endommagera tout tissu avec lequel elle entre en contact. L'endommagement prend la forme de déchirures, trous ou affadissement de la couleur et il est possible qu'il n'apparaisse pas avant plusieurs autres lavages. Pour éviter les renversements, utiliser une tasse avec un bec verseur. Ne pas laisser l'eau de Javel éclabousser, se renverser ou couler dans le panier de la laveuse. Toujours mesurer l'eau de Javel. Ne pas utiliser une quantité approximative. Ne jamais utiliser plus que la quantité recommandée par le fabricant pour une charge complète. Utiliser moins avec une plus petite charge.

**Style 1 :** Distributeur d'eau de Javel (sur certains modèles)

- Utiliser seulement de l'eau de Javel dans ce distributeur. Verser la quantité mesurée d'eau de Javel dans le distributeur d'eau de Javel. L'eau de Javel est immédiatement introduite dans la laveuse et elle est diluée automatiquement durant l'opération de lavage du programme.



**Style 2 :** Absence de distributeur d'eau de Javel (sur certains modèles)

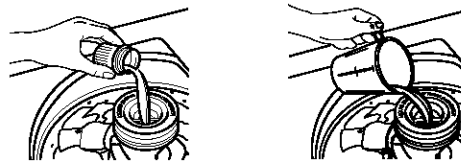
- Laisser la laveuse se remplir et commencer l'agitation de la charge.
- Ajouter l'eau de Javel 5 minutes après le début du programme de lavage pour un meilleur nettoyage et de telle sorte qu'elle soit vidangée lors du programme de rinçage. Verser l'eau de Javel autour de l'agitateur, pas directement sur la charge.

- (FACULTATIF) Ajouter l'assouplissant liquide pour tissu.

**REMARQUE :** Ne pas renverser ou dégoutter d'assouplissant de tissu sur les vêtements. Un assouplissant de tissu non dilué peut causer des taches sur les tissus. Toujours diluer l'assouplissant de tissu avec de l'eau tiède. Une trop grande quantité d'assouplissant de tissu peut rendre certains articles (couches et serviettes) non absorbants. Le cas échéant, ne pas l'utiliser à chaque charge ou en utiliser moins avec chaque charge.

**Style 1 :** Distributeur d'assouplissant liquide pour tissu (sur certains modèles)

- Utiliser seulement de l'assouplissant de tissu dans ce distributeur. Verser une quantité mesurée de l'assouplissant de tissu liquide dans le distributeur. L'assouplissant est ajouté automatiquement durant l'opération de rinçage du programme. Diluer l'assouplissant de tissu liquide en remplissant le distributeur d'eau tiède jusqu'à ce que le liquide atteigne le croisillon dans l'ouverture du distributeur.



**Style 2 :** Absence de distributeur d'assouplissant de tissu liquide (sur certains modèles)

- Ajouter l'assouplissant de tissu dilué avec ½ à 1 tasse (125 à 250 mL) d'eau tiède au rinçage final SEULEMENT.

- Rabattre le couvercle de la laveuse.
- Tourner le sélecteur LOAD SIZE (volume de la charge) au bon réglage pour votre charge de lavage et le type de tissu à laver. Vous pouvez changer votre sélection de la taille de charge après que la laveuse a commencé à se remplir en tournant le bouton de sélection à un réglage différent.
- Régler le sélecteur de TEMPÉRATURE au réglage approprié pour le type de tissu et le niveau de saleté de la charge. Utiliser l'eau la plus chaude sans danger pour le tissu. Suivre les instructions sur l'étiquette des vêtements.

**REMARQUE :** Dans les températures d'eau de lavage plus froides que 70°F (21°C), les détergents ne se diluent pas bien. Les saletés peuvent être difficiles à enlever. Certains tissus peuvent retenir les faux plis et comporter un boulochage accru (formation de petites boules de charpie sur la surface des vêtements).

7. (FACULTATIF) sélecteur EXTRA RINSE (rinçage supplémentaire) (sur certains modèles). Pour un rinçage et un essorage supplémentaires à la fin du programme de lavage, régler le sélecteur EXTRA RINSE (rinçage supplémentaire) sur ON (marche). Sur certains modèles, la caractéristique EXTRA RINSE (rinçage supplémentaire) fait partie du programme.
8. Appuyer sur le bouton de commande de programme et le tourner dans le sens horaire au programme que vous désirez. Réduire le temps de lavage lors de l'utilisation d'un réglage pour petite charge. Retirer le bouton de commande de programme pour mettre la laveuse en marche.



#### Arrêt et remise en marche de la laveuse :

- Pour arrêter la laveuse à tout moment, appuyer sur le bouton de commande de programme.
- Pour remettre la laveuse en marche, rabattre le couvercle (si ouvert) et retirer le bouton de commande de programme.

## ENTRETIEN DE LA LAVEUSE

### Nettoyage de votre laveuse

Utiliser un linge doux, humide ou une éponge pour essuyer les renversements de détergents ou d'eau de Javel à l'extérieur de votre laveuse.

Nettoyer l'intérieur de votre laveuse en mélangeant 1 tasse (250 mL) d'eau de Javel et 2 tasses (500 mL) de détergent. Verser ceci dans votre laveuse et lui faire faire un programme complet à l'eau chaude. Répéter ce processus au besoin.

Enlever tous les résidus d'eau dure en utilisant seulement des nettoyants sans danger pour la laveuse.

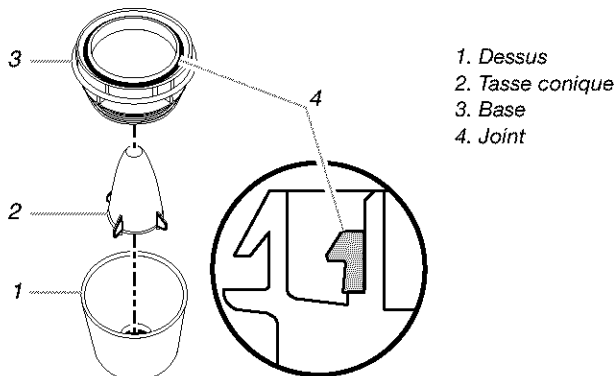
#### Nettoyage du distributeur d'assouplissant de tissu liquide (sur certains modèles) :

**Style 1 :** Avec anneau de verrouillage bleu

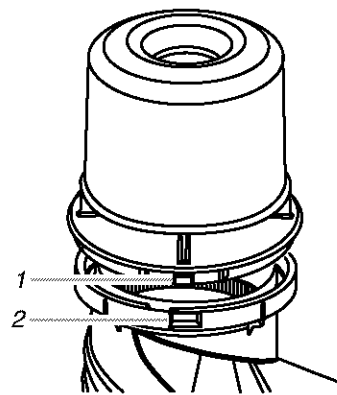
1. Tirer sur l'anneau bleu vers le haut, puis enlever le distributeur de l'agitateur en le tirant vers le haut. Rincer le distributeur à l'eau tiède.
2. S'assurer que l'anneau de verrouillage bleu a été tiré vers le haut. En l'inclinant, pousser le bas du distributeur sur la partie supérieure de l'agitateur. Une fois le distributeur en place sur l'agitateur, baisser l'anneau de verrouillage bleu jusqu'à ce qu'il s'enclenche en place. Il devrait être bien serré.

**Style 2 :** Sans anneau de verrouillage bleu

1. Retenir la partie supérieure de l'agitateur d'une main. De l'autre main, faire tourner le distributeur dans le sens horaire jusqu'à ce qu'il s'arrête (environ 1 po [2,54 cm]). Pour le retirer, soulever le distributeur tout droit. D'un mouvement circulaire, séparer la section supérieure de la section inférieure du distributeur. Laver les trois parties (la base, la tasse conique et le dessus) à l'eau tiède avec un détergent doux.
2. En s'assurant que l'extrémité pointue de la tasse conique soit dirigée vers la base, assembler les trois parties en appuyant sur les sections supérieure et inférieure en même temps. Si le joint s'enlève lorsqu'on retire le distributeur de l'agitateur, installer le joint tel qu'illustré ci-dessous.



3. Réinstaller le distributeur en alignant les deux onglets de verrouillage sur la base du distributeur avec les deux petites fentes sur le dessus de l'agitateur. Enfoncer le distributeur jusqu'à ce qu'on l'entende s'enclencher. Si les onglets de verrouillage ne s'enclenchent pas, vérifier le joint. Il doit être positionné tel qu'illustré à l'étape 2.



1. Onglet de verrouillage sur la base du distributeur
2. Petites fentes sur l'agitateur

**IMPORTANT :** Certains modèles sont équipés d'un distributeur d'assouplissant liquide pour tissu. Pour éviter l'endommagement de la laveuse ou des vêtements, ne pas laver les vêtements lorsque le distributeur d'assouplissant liquide pour tissu est retiré. Ne pas ajouter de détergent ou d'eau de Javel dans ce distributeur; il est destiné à l'assouplissant liquide pour tissu seulement.

### Robinetts d'arrivée d'eau

Remplacer les tuyaux d'arrivée d'eau après 5 ans d'utilisation pour réduire le risque de défaillance intempestive. Inspecter périodiquement les tuyaux; les remplacer en cas de renflement, de déformation, de coupure et d'usure ou si une fuite se manifeste.

Lorsque vous remplacez vos tuyaux d'arrivée d'eau, noter la date de remplacement au marqueur indélébile sur l'étiquette.

### Préparation avant un entreposage ou un déménagement

L'eau qui peut rester dans les tuyaux risque d'abîmer votre laveuse en temps de gel. Si vous rangez ou déplacez votre laveuse quand il gèle, préparez-la pour l'hiver.

#### Préparation de votre laveuse pour l'hiver

1. Fermer les deux robinets d'eau. Débrancher et vidanger les tuyaux d'arrivée d'eau. Mettre 1 pinte (1 L) d'antigel de type R.V. dans le panier.

2. Faire tourner la laveuse au réglage vidange et essorage pendant 30 secondes environ pour mélanger l'antigel à l'eau.
3. Débrancher la laveuse ou déconnecter la source de courant électrique.

#### Remise en marche de la laveuse

1. Vidanger les canalisations d'eau et les tuyaux. Reconnecter les tuyaux d'arrivée d'eau. Ouvrir les deux robinets d'eau.
2. Brancher la laveuse ou reconnecter la source de courant électrique.
3. Faire faire un programme complet à la laveuse avec 1 tasse (250 mL) de détergent pour enlever les restes d'antigel.

#### Entretien en cas d'entreposage, de non-utilisation ou en période de vacances

On ne doit faire fonctionner la laveuse que lorsqu'on est présent. Si l'utilisateur doit partir en vacances ou n'utilise pas la laveuse pendant une période prolongée, il convient d'exécuter les opérations suivantes :

1. Débrancher la laveuse ou déconnecter la source de courant électrique.
2. Fermer l'alimentation d'eau de la laveuse. Ceci aide à éviter les inondations accidentelles (dues à une augmentation de la pression) quand vous êtes absent.

## DÉPANNAGE

Essayer d'abord les solutions suggérées ici, ce qui vous évitera peut-être le coût d'une visite de service...

### La laveuse et ses composants

#### La laveuse fait du bruit

- **La charge est-elle équilibrée et la laveuse d'aplomb?** La charge de lavage devrait être équilibrée et pas surchargée. La laveuse doit être d'aplomb. Les pieds de nivellement avant devraient être correctement installés et les écrous serrés. Régler les pieds de nivellement arrière (au besoin). Voir les instructions d'installation.
- **Avez-vous retiré la sangle jaune d'expédition avec les goupilles fendues?** Voir les instructions d'installation.
- **Les mécanismes s'enclenchent-ils après la vidange et avant l'essorage, ou la partie supérieure de l'agitateur fait-elle du bruit pendant le lavage?** Ce sont des bruits normaux pour la laveuse.

#### Fuites d'eau de la laveuse

- **Vérifier ce qui suit :**  
Les tuyaux de remplissage sont-ils serrés?  
Les rondelles de tuyaux de remplissage d'eau sont-elles correctement installées?  
La bride de fixation du tuyau de vidange est-elle correctement installée? Voir les instructions d'installation.
- **L'évier ou le conduit d'évacuation est-il obstrué?** L'évier et le tuyau de rejet à l'égout doivent pouvoir drainer 17 gal. (64 L) d'eau par minute.
- **De l'eau est-elle déviée de l'anneau de la cuve ou de la charge?** Centrer la cuve avant de mettre la laveuse en marche. La charge de lavage devrait être équilibrée et pas surchargée. De l'eau de rinçage ou de remplissage peut dévier de la charge. La laveuse doit être d'aplomb. Les pieds de nivellement avant devraient être correctement installés et les écrous serrés. Régler les pieds de nivellement arrière (au besoin). Voir les instructions d'installation.

- **Vérifier la plomberie du domicile pour voir s'il y a des fuites.**

#### Le panier de la laveuse est décentré

- **Le panier de la laveuse a-t-il été tiré en avant lors du chargement?** Pousser le panier au centre avant de commencer le lavage.

- **La charge est-elle équilibrée et la laveuse d'aplomb?** La charge de lavage devrait être équilibrée et pas surchargée. La laveuse doit être d'aplomb. Les pieds de nivellement avant devraient être correctement installés et les écrous serrés. Régler les pieds de nivellement arrière (au besoin). Voir les instructions d'installation.

- **Le panier de la laveuse se déplace pendant le lavage.** Ceci est normal.

#### Fonctionnement de l'agitateur

- **Le sommet de l'agitateur est lâche, ou se déplace dans une seule direction.** Ceci est normal.

#### Distributeurs obstrués ou fuite d'eau de Javel

- **Avez-vous suivi les directives du fabricant pour l'addition de détergent et d'assouplissant dans les distributeurs (sur certains modèles)?** Mesurer le détergent et l'assouplissant. Verser avec précautions dans les distributeurs. Essuyer tout renversement. Diluer l'assouplissant dans le distributeur d'assouplissant.
- **Avez-vous mis de la Javel en poudre ou sans danger pour les couleurs dans le distributeur d'agent de blanchiment au chlore liquide (sur certains modèles)?** Ajouter de la Javel en poudre ou liquide sans danger pour les couleurs directement dans le panier. Ne pas utiliser le distributeur d'agent de blanchiment au chlore pour la Javel sans danger pour les couleurs.

### Fonctionnement de la laveuse

#### La laveuse s'arrête, ne se remplit pas, ne rince pas et l'agitateur ne tourne pas

- **Vérifier ce qui suit :**

Le cordon d'alimentation est-il connecté dans une prise à 3 alvéoles reliée à la terre?

L'indicateur sur le bouton de commande de programme est-il correctement aligné avec un programme? Tourner le bouton de commande de programme légèrement vers la droite et le tirer pour mettre en marche.

Les filtres des valves des tuyaux d'arrivée d'eau sont-ils obstrués?

Les deux robinets d'eau (chaude et froide) sont-ils ouverts?

Le tuyau d'arrivée d'eau est-il déformé?

- **Le niveau d'eau semble-t-il trop bas, ou la laveuse ne se remplit-elle pas complètement?** Le sommet de l'agitateur est beaucoup plus haut que le niveau d'eau le plus élevé. Ceci est normal et nécessaire pour un mouvement correct des vêtements.
- **Un fusible est-il grillé ou un disjoncteur s'est-il ouvert?** Si le problème persiste, appeler un électricien.
- **Utilisez-vous un cordon de rallonge?** Ne pas utiliser de cordon de rallonge.
- **La laveuse est-elle en pause normale du programme?** La laveuse fait une pause d'environ 2 minutes dans certains programmes. Laisser le programme se poursuivre. Certains programmes comprennent des périodes d'agitation et de trempage.
- **La laveuse est-elle surchargée?** Laver des charges plus petites.
- **Le couvercle est-il ouvert?** Le couvercle doit être fermé lorsque la laveuse est en marche. La laveuse n'effectuera pas d'agitation ni d'essorage avec le couvercle ouvert.

### Absence de vidange ou d'essorage de la laveuse

- **Le tuyau de vidange est-il obstrué, ou l'extrémité du tuyau de vidange se trouve-t-elle à plus de 96 po (244 cm) au-dessus du plancher?** Voir les Instructions d'installation pour une installation correcte du tuyau de vidange.
- **Le couvercle est-il ouvert?** Le couvercle doit être fermé lorsque la laveuse est en marche. La laveuse n'effectuera pas d'agitation ni d'essorage avec le couvercle ouvert.
- **Y a-t-il un excès de mousse?** Toujours mesurer le détergent. Suivre les directives du fabricant. Si vous avez de l'eau très douce, il faudra peut-être utiliser moins de détergent.

### La laveuse continue de se remplir ou la vidange se poursuit, le programme semble bloqué

- **Le dessus du tuyau de vidange est-il plus bas que le niveau de l'eau dans la laveuse?** Le dessus du tuyau doit être plus haut que le niveau de l'eau dans la laveuse pour un bon fonctionnement. Voir les instructions d'installation.
- **Le tuyau de vidange est-il trop serré dans le tuyau de rejet à l'éégout, ou est-il fixé au tuyau de rejet à l'éégout avec du ruban adhésif?** Le tuyau de vidange devrait être lâche mais bien fixé. Ne pas sceller le tuyau de vidange avec du ruban adhésif. Le tuyau a besoin d'une ouverture pour l'air. Voir les instructions d'installation.

### La température de lavage/rinçage n'est pas celle qui a été sélectionnée

- **Les robinets d'arrivée d'eau chaude et froide ont-ils été inversés?** Voir les instructions d'installation pour plus de renseignements. Lorsque votre fréquence de charges lavées augmente, la température de l'eau peut baisser lorsqu'on choisit une température chaude ou tiède. Ceci est normal.
- **A-t-on sélectionné un réglage de température Tiède/tiède (Warm/Warm)?** Sur les modèles sans la COMMANDE AUTOMATIQUE DE LA TEMPÉRATURE (CAT), qui ont une sélection de température Tiède/tiède (Warm/Warm), le lavage tiède sera suivi d'un rinçage à froid à économie d'énergie puis de vaporisations tièdes de rinçage. Ceci économise de l'énergie tout en fournissant la même performance de rinçage.

## Résultats de lavage

### Charge trop mouillée

- **Avez-vous utilisé le bon programme pour la charge à laver?** Choisir un programme avec une vitesse d'essorage plus élevée (si disponible).
- **Avez-vous utilisé un rinçage à froid?** Les charges sont plus humides après un rinçage à froid qu'après un rinçage à chaud. Ceci est normal.

### Résidus ou charpie sur le linge

- **Avez-vous effectué le tri correctement?** Séparer les articles causant la charpie (serviettes, chenille) des articles qui retiennent la charpie (velours côtelé, synthétiques). Trier également en fonction des couleurs.
- **Avez-vous surchargé la laveuse?** La charge de lavage doit être équilibrée et pas surchargée. Les charges doivent pouvoir culbuter librement. De la charpie peut être coincée dans la charge s'il y a surcharge. Laver des charges plus petites.
- **Avez-vous sélectionné le bon niveau d'eau?** Le niveau d'eau devrait être approprié à la taille de la charge. Les vêtements devraient pouvoir culbuter librement dans l'eau.
- **Avez-vous utilisé suffisamment de détergent?** Suivre les directives du fabricant. Utiliser suffisamment de détergent pour maintenir la saleté en suspension dans l'eau.
- **Avez-vous fait sécher vos vêtements sur un fil à linge?** Si c'est le cas, attendez-vous à trouver de la charpie sur les vêtements.
- **Vérifier ce qui suit :**

A-t-on laissé du papier ou des mouchoirs en papier dans les poches?

Votre eau est-elle plus froide que 70°F (21°C)? Une eau de lavage plus froide que 70°F (21°C) peut ne pas dissoudre complètement le détergent.

Avez-vous utilisé la bonne durée de programme pour la charge? La réduction de la durée de lavage est un autre moyen de réduire la charpie.

### Présence de taches sur le linge

- **Avez-vous suivi les directives du fabricant pour l'addition de détergent et d'assouplissant?** Mesurer le détergent et l'assouplissant. Utiliser suffisamment de détergent pour enlever la saleté et la maintenir en suspension. Diluer l'assouplissant et l'ajouter à la section rinçage d'un programme seulement. Ne pas laisser couler d'assouplissant sur les vêtements.
- **La présence de fer (rouille) dans l'eau est-elle supérieure à la moyenne?** Vous aurez peut-être besoin d'installer un filtre à fer.
- **Avez-vous bien trié la charge?** Séparer les articles de teinte foncée des articles blancs ou clairs.
- **Avez-vous déchargé la laveuse immédiatement?** Pour éviter le transfert de teinture, décharger la laveuse dès qu'elle s'arrête.



## Linge froissé

- **Avez-vous déchargé la laveuse immédiatement?**  
Décharger la laveuse dès qu'elle s'arrête.
- **Avez-vous utilisé le bon programme pour la charge à laver?** Utiliser le programme tout-aller, pressage permanent ou un autre programme avec une vitesse d'essorage basse (si disponible) pour réduire le froissement.
- **Avez-vous surchargé la laveuse?** La charge de lavage doit être équilibrée et pas surchargée. Les charges doivent pouvoir culbuter librement durant le lavage.  
  
Pour réduire les faux plis des vêtements à pressage permanent et certains tricots synthétiques, utiliser une taille de charge importante pour avoir plus d'espace.
- **L'eau de lavage était-elle suffisamment chaude pour réduire le froissement, ou utilisez-vous des rinçages tièdes?** Si c'est sans danger pour la charge, utiliser une eau de lavage tiède ou chaude. Utiliser une eau de rinçage froide.
- **Les robinets d'eau chaude et froide ont-ils été inversés?**  
Vérifier que les tuyaux d'eau chaude et d'eau froide sont connectés aux bons robinets. Voir les instructions d'installation.

## Le linge est enchevêtré ou entortillé

- **Avez-vous surchargé la laveuse?** La charge de lavage doit être équilibrée et pas surchargée. Les charges doivent pouvoir culbuter librement durant le lavage.
- **Avez-vous placé des articles autour de l'agitateur?**  
Déposer les articles dans la laveuse sans les comprimer. Ne pas enrouler des articles autour de l'agitateur.

## Blanc grisâtre, couleurs défraîchies

- **Avez-vous bien trié la charge?** Le transfert de teinture peut se produire lors du mélange d'articles blancs et de couleur dans une même charge. Séparer les articles de teinte foncée des articles blancs ou clairs.
- **La température de lavage était-elle trop basse?** Utiliser les lavages à l'eau tiède ou chaude, si sans danger pour la charge. S'assurer que votre système d'eau chaude permet d'effectuer un lavage à l'eau chaude.
- **Avez-vous utilisé suffisamment de détergent, ou avez-vous une eau dure?** Utiliser plus de détergent pour laver la saleté intense à l'eau froide ou dure.
- **Les robinets d'eau chaude et froide ont-ils été inversés?**  
Vérifier que les tuyaux d'eau chaude et d'eau froide sont connectés aux bons robinets. Voir les instructions d'installation.

## Endommagement des vêtements

- **Vérifier ce qui suit :**

Les articles pointus ont-ils été retirés des poches avant le lavage? Vider les poches, fermer les fermetures à glissière, les boutons pression et les agrafes avant le lavage.

Les cordons et les ceintures ont-ils été attachés pour empêcher l'emmêlement?

Les articles étaient-ils endommagés avant le lavage? Raccorder les déchirures et reprendre les fils cassés des coutures avant le lavage.

- **Avez-vous surchargé la laveuse?** La charge de lavage doit être équilibrée et pas surchargée. Les charges doivent pouvoir culbuter librement durant le lavage.
- **Avez-vous correctement ajouté l'eau de Javel?** Ne pas verser l'eau de Javel directement sur le linge. Essuyer tous les renversements de Javel. De l'eau de Javel non diluée endommagera les tissus. Ne pas placer des articles de la charge sur le dessus du distributeur d'eau de Javel lorsque vous chargez et déchargez la laveuse (sur certains modèles).
- **Avez-vous suivi les instructions d'entretien du fabricant indiquées sur l'étiquette?**

## Instructions sous le couvercle

Ces instructions sont données sous le couvercle de votre laveuse.

### Suggestions de fonctionnement

#### DISTRIBUTEUR

Ajouter la quantité mesurée d'eau de Javel dans le distributeur, 5 minutes après la mise en marche de la laveuse pour le meilleur rendement.



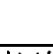


Ne pas utiliser un AGENT DE BLANCHIMENT EN POUDRE DANS CE DISTRIBUTEUR.

Ajouter la quantité mesurée d'agent assouplissant de tissu dans le distributeur monté sur l'agitateur.

Ajouter la quantité mesurée de détergent dans la cuve de la laveuse.

1. **SÉLECTION ET RÉGLAGE.** Faire les sélections pour ces commandes de laveuse : (certaines laveuses peuvent ne pas comporter toutes ces commandes)

- **NIVEAU D'EAU (WATER LEVEL)** Ajuster en fonction de la quantité de la charge.
- **TEMPÉRATURE DE LAVAGE/RINÇAGE (WASH/RISE TEMP)** Utiliser les sélections AUTO TEMP pour le meilleur rendement de lavage.
- **VITESSES (SPEEDS)** Ajuster en fonction du type de tissu lavé.

<b>SYMBOLE DE SOIN DES VÊTEMENTS</b>	<b>PROGRAMME DE LAVAGE</b>	<b>TYPE DE TISSU/CHARGE</b>
	<b>HEAVY DUTY (Service rigoureux)</b>	<b>TOILES, SERVIETTES TRÈS SALES</b>
	<b>NORMAL</b>	<b>COTONS</b>
	<b>PERMANENT PRESS (Pressage permanent)</b>	<b>SYNTHÉTIQUES</b>
	<b>DELICATE (Délicat)</b>	<b>TRICOTS</b>
	<b>HAND WASH (Lavage manuel)</b>	<b>LINGERIE</b>

SYMBÔLE DE SOIN DES VÊTEMENTS	RÉGLAGE DE LA TEMPÉRATURE DE L'EAU	RECOMMANDATION DE BLANCHIMENT
•••	LAVAGE À L'EAU CHAUDE	
••	LAVAGE À L'EAU TIEDE	
•	LAVAGE À L'EAU FROIDE	
△		TOUT PRODUIT DE BLANCHIMENT
△		AGENT DE BLANCHIMENT NON CHLORÉ
★		NE PAS BLANCHIR

2. CHOISIR LE PROGRAMME

Choisir une durée plus longue pour les charges très sales et moins longue pour les charges légèrement sales.

3. TIRER LA MINUTERIE POUR LA MISE EN MARCHÉ

Le couvercle doit être fermé pour compléter le programme. APPUYER SUR LA MINUTERIE POUR ARRÊTER LA LAVEUSE.

## CONTRATS DE PROTECTION

### Aux États-Unis

#### Contrats principaux de protection

Nous vous félicitons d'avoir fait un achat judicieux. Votre nouvel appareil Kenmore® est conçu et fabriqué pour vous procurer des années de fonctionnement fiable. Mais comme pour tous les produits, il pourra à l'occasion nécessiter un entretien préventif ou une réparation. Le cas échéant, un Contrat principal de protection peut vous épargner de l'argent et des soucis.

*Achetez dès maintenant un Contrat principal de protection et protégez-vous contre les dépenses et ennuis inattendus.*

Le Contrat principal de protection contribue aussi à prolonger la vie utile de votre nouvel appareil ménager. Voici ce qui est inclus dans le contrat :

- ✓ **Service expert** par nos 12 000 réparateurs professionnels
- ✓ **Service illimité et sans frais** pour les pièces et la main-d'œuvre pour toutes les réparations couvertes
- ✓ **Garantie "Anti-citron"** - remplacement de votre produit couvert si quatre pannes ou plus se produisent en deçà de douze mois
- ✓ **Remplacement du produit** si votre produit couvert ne peut être réparé
- ✓ **Vérification annuelle d'entretien préventif** sur demande - sans frais supplémentaires
- ✓ **Aide rapide au téléphone** - assistance téléphonique fournie par un technicien de Sears pour les produits réparables à domicile, plus un horaire de réparation commode
- ✓ **Protection contre les sautes de puissance** pour prévenir les dommages attribuables aux fluctuations de courant
- ✓ **Remboursement de location** si la réparation prend plus de temps que promis

Dès que vous achetez le Contrat, il suffit d'un appel téléphonique pour obtenir un rendez-vous de service. Vous pouvez appeler en tout temps jour et nuit ou prendre un rendez-vous de service en direct.

Sears compte plus de 12 000 réparateurs professionnels qui ont accès à plus de 4,5 millions de pièces et accessoires de qualité. C'est le genre de professionnalisme sur lequel vous pouvez compter pour aider à prolonger la vie de votre nouvel achat pendant des années. Achetez votre Contrat principal de protection aujourd'hui même!

**Certaines limitations et exclusions s'appliquent. Pour des prix et renseignements supplémentaires, composer le 1-800-827-6655.**

#### Service d'installation Sears

Pour l'installation professionnelle par Sears d'appareils ménagers, d'ouvre-portes de garage, de chauffe-eau et d'autres articles importants de la maison, aux É.-U. composer le **1-800-4-MY-HOME®**.

### Au Canada

#### Contrats d'entretien

Votre achat a plus de valeur parce que vous pouvez compter sur Sears HomeCentral® pour le service. Avec plus de 2400 spécialistes formés et l'accès à plus de 900 000 pièces et accessoires, nous avons les outils et les pièces ainsi que les connaissances et compétences pour remplir cette promesse que nous vous faisons : Nous assurons le service de nos produits.

Votre appareil Kenmore® est conçu, fabriqué et vérifié pour qu'il puisse vous fournir de nombreuses années de service en toute confiance. Cependant, tout appareil ménager peut nécessiter des interventions de service de temps à autre. Le contrat d'entretien Sears vous offre un programme de service remarquable à un prix abordable.

#### Le contrat d'entretien Sears

- Garantit les prix d'aujourd'hui pour les services que vous utiliserez plus tard.
- Élimine les factures pour les réparations imputables à l'usure normale.
- Couvre les appels de service pour une aide non technique et pratique.
- Comprend une inspection annuelle d'entretien préventif (sur votre demande) pour maintenir votre appareil en bon état de fonctionnement.

**Certaines limitations s'appliquent. Pour des renseignements concernant les contrats d'entretien de Sears HomeCentral®, composer le 1-800-361-6665.**

---

# GARANTIE DE LAVEUSE KENMORE®

## **Garantie limitée à vie sur le panier en porcelaine blanche**

Pendant la vie de la laveuse, à compter de la date d'achat, Sears remplacera le panier de lavage en porcelaine blanche s'il survient des éclats ou de la rouille attribuables à des vices de matériau ou de fabrication. Après un an, les frais de main-d'oeuvre vous seront facturés.

## **Garantie limitée de 10 ans sur la cuve de plastique\***

À partir de la deuxième jusqu'à la dixième année inclusivement à compter de la date d'achat, Sears remplacera la cuve de plastique s'il existe un vice de matériau ou de fabrication. Après un an, les frais de main-d'oeuvre vous seront facturés.

## **Garantie limitée de 5 ans sur les composants de la boîte d'engrenages\***

À partir de la deuxième jusqu'à la cinquième année inclusivement à compter de la date d'achat, Sears remplacera toute pièce de la boîte d'engrenages qui s'avèrera défectueuse à cause d'un vice de matériau ou de fabrication. Après un an, les frais de main-d'oeuvre vous seront facturés.

## **Garantie complète de 1 an sur le panier de lavage en porcelaine tachetée**

Pendant une année à compter de la date d'achat, lorsque cette laveuse est installée et utilisée conformément aux instructions qui l'accompagnent, Sears remplacera le panier de lavage en porcelaine tachetée s'il survient des éclats ou de la rouille attribuables à un vice de matériau ou de fabrication.

## **Garantie complète de 1 an sur les composants mécaniques et électriques**

Pendant un an, à compter de la date d'achat, si la laveuse est installée et utilisée conformément aux instructions qui l'accompagnent, Sears réparera ou remplacera tout composant mécanique ou électrique qui s'avèrera défectueux à cause d'un vice de matériau ou de fabrication.

Le service doit être fourni par un service d'entretien Sears aux États-Unis ou au Canada ou par un agent autorisé.

## **Restriction des garanties**

Si la laveuse est utilisée autrement que dans une utilisation familiale, la garantie ci-dessus ne demeure en vigueur que pendant 90 jours à compter de la date d'achat.

## **Service sous garantie**

Pour obtenir le service sous garantie, contacter Sears au **1-800-4-MY-HOME®**. La présente garantie n'est valide que pendant que cette laveuse est utilisée aux États-Unis ou au Canada.

Cette garantie vous donne des droits juridiques spécifiques et vous pourriez avoir d'autres droits qui pourraient varier d'un État à un autre ou d'une province à une autre.

Pour obtenir des informations sur la garantie Sears ou pour contacter un centre de service Sears, veuillez consulter les numéros de service situés sur la couverture arrière de ce manuel.

**Sears, Roebuck and Co.,  
Dept. 817WA,  
Hoffman Estates, IL 60179**

**Sears Canada Inc.,  
Toronto, Ontario,  
Canada M5B 2B8**

\*Une garantie différente peut être offerte au Canada.

# Get it fixed, at your home or ours!

## Your Home

For repair – **in your home** – of **all** major brand appliances, lawn and garden equipment, or heating and cooling systems, **no matter who made it, no matter who sold it!**

For the replacement parts, accessories and owner's manuals that you need to do-it-yourself.

For Sears professional installation of home appliances and items like garage door openers and water heaters.

**1-800-4-MY-HOME® (1-800-469-4663)**

Call anytime, day or night (U.S.A. and Canada)

[www.sears.com](http://www.sears.com)    [www.sears.ca](http://www.sears.ca)

## Our Home

For repair of carry-in items like vacuums, lawn equipment, and electronics, call or go on-line for the location of your nearest **Sears Parts & Repair Center.**

**1-800-488-1222**

Call anytime, day or night (U.S.A. only)

[www.sears.com](http://www.sears.com)

To purchase a protection agreement (U.S.A.) or maintenance agreement (Canada) on a product serviced by Sears:

**1-800-827-6655** (U.S.A.)

**1-800-361-6665** (Canada)

Para pedir servicio de reparación a domicilio, y para ordenar piezas:

**1-888-SU-HOGAR<sup>SM</sup>**

(1-888-784-6427)

Au Canada pour service en français:

**1-800-LE-FOYER<sup>MC</sup>**

(1-800-533-6937)

[www.sears.ca](http://www.sears.ca)

# SEARS

® Registered Trademark / <sup>TM</sup> Trademark / <sup>SM</sup> Service Mark of Sears, Roebuck and Co., used under license by Sears Canada.

® Marca Registrada / <sup>TM</sup> Marca de Fábrica / <sup>SM</sup> Marca de Servicio de Sears, Roebuck and Co., usada bajo licencia de Sears Canada.

® Marque de commerce déposée / <sup>TM</sup> Marque de commerce / <sup>SM</sup> Marque de service de Sears, Roebuck and Co., en vertu d'un porteur de licence par Sears Canada.

8537143A

© 2003 Sears, Roebuck and Co.

12/03

Printed in U.S.A.

Impreso en EE. UU.

Imprimé aux É.-U.

## Free Manuals Download Website

<http://myh66.com>

<http://usermanuals.us>

<http://www.somanuals.com>

<http://www.4manuals.cc>

<http://www.manual-lib.com>

<http://www.404manual.com>

<http://www.luxmanual.com>

<http://aubethermostatmanual.com>

Golf course search by state

<http://golfingnear.com>

Email search by domain

<http://emailbydomain.com>

Auto manuals search

<http://auto.somanuals.com>

TV manuals search

<http://tv.somanuals.com>