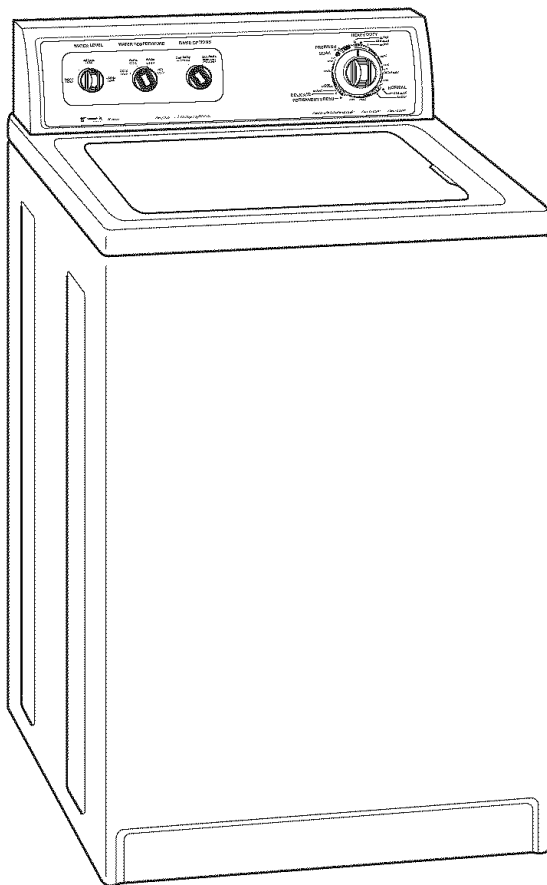


Owner's Manual and Installation Instructions



Two-Speed AUTOMATIC WASHERS



IMPORTANT:

Read and follow all safety and operating instructions before first use of this product.

Your washer may look different from the washer shown.

Sears, Roebuck and Co., Hoffman Estates, IL 60179 U.S.A.

PART NO. 3950146 Rev. B PRINTED IN U.S.A.

WARRANTY/SAFETY

INSTALLATION

OPERATION

LAUNDRY TIPS

MAINTENANCE

TROUBLESHOOTING

SERVICE

ESPAÑOL

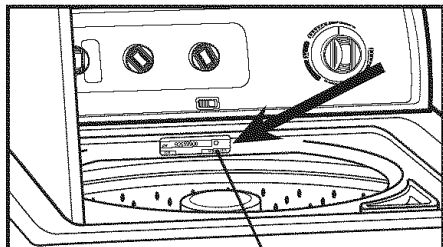
TABLE OF CONTENTS

BEFORE USING YOUR NEW WASHER _____	2
SEARS AUTOMATIC WASHER WARRANTY _____	3
IMPORTANT SAFETY INSTRUCTIONS _____	4
INSTALLATION INSTRUCTIONS _____	5
OPERATING YOUR WASHER _____	20
LAUNDRY TIPS _____	28
CARING FOR YOUR WASHER _____	30
TROUBLESHOOTING _____	31
SEARS MAINTENANCE AGREEMENT _____	35

BEFORE USING YOUR NEW WASHER

Please read this manual. It will help you install and operate your new Kenmore washer in the safest and most economical way.

For more information about the care and operation of Kenmore appliances call your nearest Sears store. You will need the complete model and serial numbers when requesting information. Your washer's model and serial numbers are located on the Model and Serial Number Plate.



Model and Serial
Number Plate

Use the space below to record the model number and serial number of your new Kenmore Washer.

Model No. _____

Serial No. _____

Date of Purchase _____

Keep this book and your Sears Salescheck (receipt) in a safe place for future reference.

SEARS AUTOMATIC WASHER WARRANTY

FULL 1-YEAR WARRANTY ON MECHANICAL AND ELECTRICAL PARTS

For one year from the date of purchase, when the washer is installed and operated in accordance with the instructions in the Owner's Manual, Sears will repair or replace any mechanical or electrical parts in this washer, if defective in material or workmanship.

LIMITED 5-YEAR WARRANTY ON GEARCASE PARTS

After one year and until five years from the date of purchase, Sears will furnish replacement parts for any defective gearcase parts. You will be charged for labor.

LIMITED 10-YEAR WARRANTY ON PLASTIC TUB

After one year and until ten years from date of purchase, Sears will furnish a replacement plastic tub for any plastic tub which is defective in material or workmanship. You will be charged for labor.

If the washer is subjected to other than private family use, the above warranty coverage is effective for only 90 days.

WARRANTY SERVICE IS AVAILABLE BY CONTACTING THE NEAREST SEARS SERVICE CENTER IN THE UNITED STATES.

This warranty applies only while this product is in use in the United States. This warranty gives you specific legal rights, and you may also have other rights which vary from state to state.

Sears Roebuck and Co., Dept. 817WA, Hoffman Estates, IL 60179.

Your safety and the safety of others is very important.

We have provided many important safety messages in this manual and on your appliance. Always read and obey all safety messages.



This is the safety alert symbol. This symbol alerts you to hazards that can kill or hurt you and others. All safety messages will be preceded by the safety alert symbol and the word "DANGER" or "WARNING." These words mean:

! DANGER

You will be killed or seriously injured if you don't follow instructions.

! WARNING

You can be killed or seriously injured if you don't follow instructions.

All safety messages will identify the hazard, tell you how to reduce the chance of injury, and tell you what can happen if the instructions are not followed.

IMPORTANT SAFETY INSTRUCTIONS

YOUR SAFETY IS IMPORTANT TO US

WARNING: To reduce the risk of fire, electric shock, or injury to persons when using your washer, follow basic precautions, including the following:

- Read all instructions before using the washer.
- Do not wash articles that have been previously cleaned in, washed in, soaked in, or spotted with gasoline, dry-cleaning solvents, other flammable or explosive substances as they give off vapors that could ignite or explode.
- Do not add gasoline, dry-cleaning solvents, or other flammable or explosive substances to the wash water. These substances give off vapors that could ignite or explode.
- Under certain conditions, hydrogen gas may be produced in a hot water system that has not been used for 2 weeks or more. **HYDROGEN GAS IS EXPLOSIVE.** If the hot water system has not been used for such a period, before using a washing machine, turn on all hot water faucets and let the water flow from each for several minutes. This will release any accumulated hydrogen gas. As the gas is flammable, do not smoke or use an open flame during this time.
- Do not allow children to play on or in the washer. Close supervision of children is necessary when the washer is used near children.
- Before the washer is removed from service or discarded, remove the lid.
- Do not reach into the washer if the tub or agitator is moving.
- Do not install or store this washer where it will be exposed to the weather.
- Do not tamper with controls.
- Do not repair or replace any part of the washer or attempt any servicing unless specifically recommended in the Owner's Manual or in published user-repair instructions that you understand and have the skills to carry out.

SAVE THESE INSTRUCTIONS

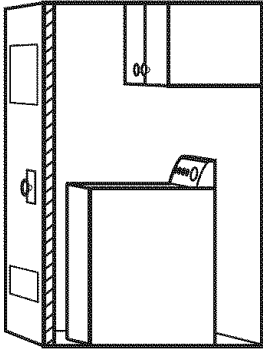
IMPORTANT: Observe all governing codes and ordinances.

INSTALLATION INSTRUCTIONS

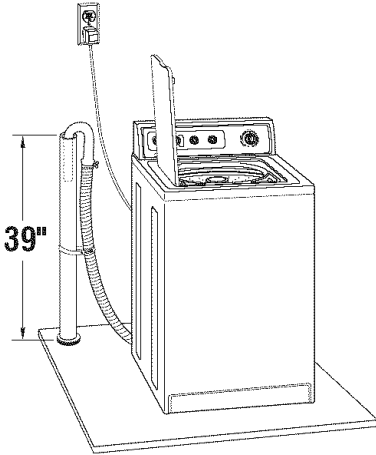
INSTALLATION OVERVIEW

For a complete list of tools and parts needed, see pages 6-8.

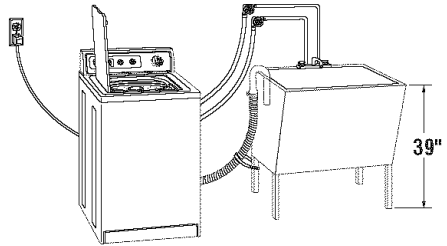
A. SELECT LOCATION FOR YOUR WASHER (pgs. 10-12) Recessed Area/ Closet Installation Instructions (p. 10)



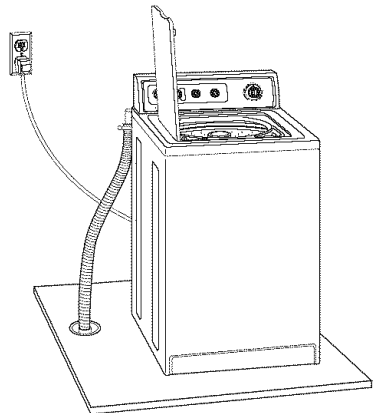
Standpipe Drain System (p. 12)



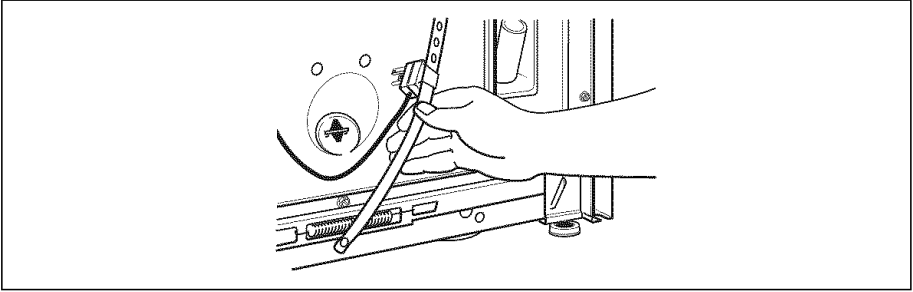
Laundry Tub Drain System (p. 11)



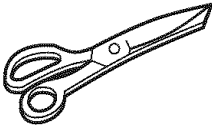
Floor Drain System (p. 12)



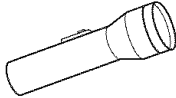
B. REMOVE SHIPPING STRAP (p. 13)



Tools Needed:

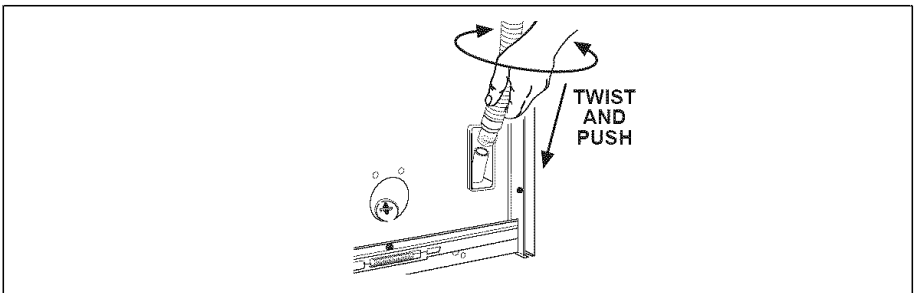


Scissors

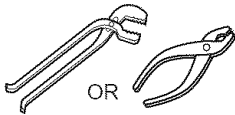


Flashlight (optional depending on installation)

C. CONNECT DRAIN HOSE (pgs. 14-15)



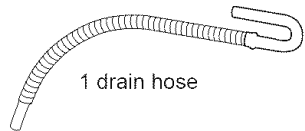
Tools Needed:



Pliers that open to $1\frac{7}{16}$ inches

Flashlight (optional depending on installation)

Parts Needed:

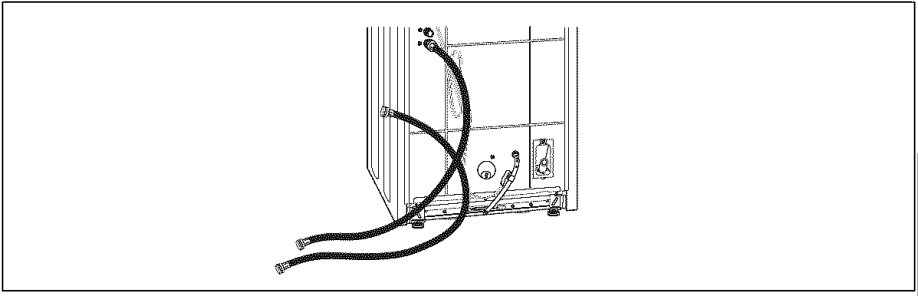


1 yellow, single-wire hose clamp (top of drain hose)

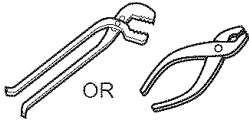


1 silver, double-wire hose clamp (bottom of drain hose)

D. CONNECT INLET HOSES TO WASHER (pgs. 15-16)



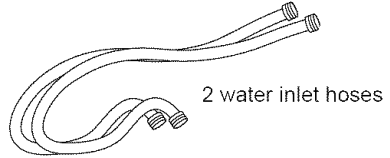
Tools Needed:



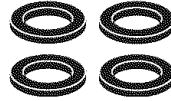
Pliers that open to $1\frac{9}{16}$ inches

Flashlight (optional depending on installation)

Parts Needed:

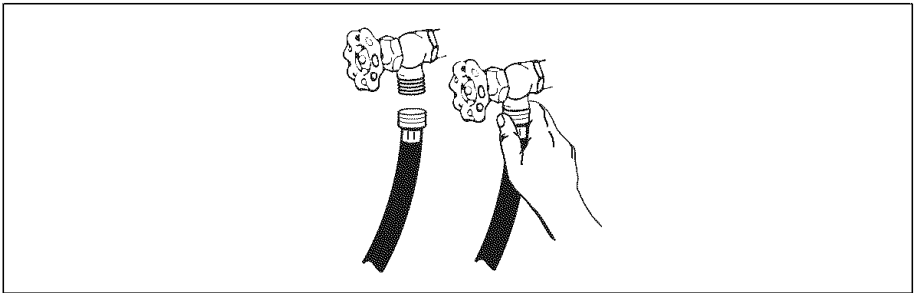


2 water inlet hoses

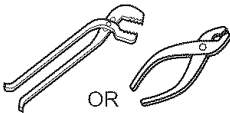


4 flat water inlet hose washers

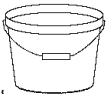
E. CONNECT INLET HOSES TO WATER FAUCETS (p. 16)



Tools Needed:



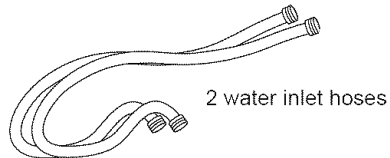
Pliers that open to $1\frac{9}{16}$ inches



Bucket (optional depending on installation)

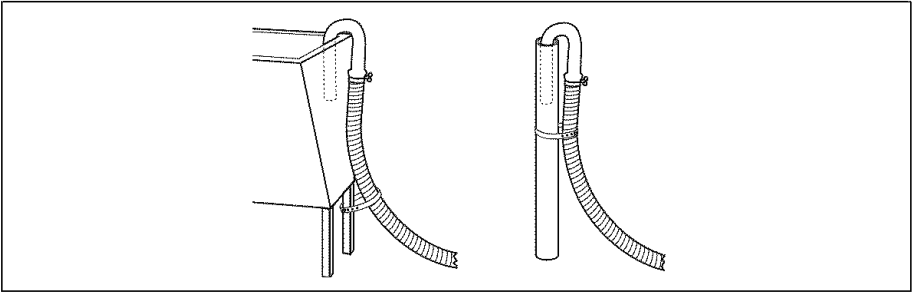
Flashlight (optional depending on installation)

Parts Needed:



2 water inlet hoses

F. SECURE DRAIN HOSE (p. 17)



Tools Needed:

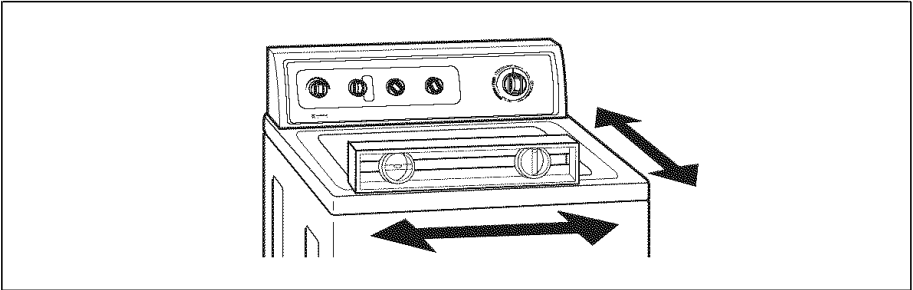
Flashlight (optional depending on installation)

Parts Needed:

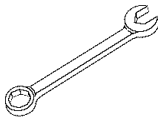


Shipping strap with fastener

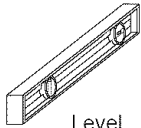
G. LEVEL WASHER (p. 18)



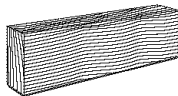
Tools Needed:



9/16-Inch open-end wrench



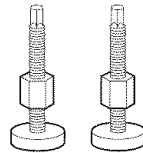
Level



Wood block

Flashlight (optional depending on installation)

Parts Needed:



2 front leveling legs with nuts

Selecting the proper location for your washer will improve its performance and minimize concerns like washer walk or noise.

ELECTRICAL REQUIREMENTS

120-Volt, 60-Hz., AC-only, 15- or 20-ampere fused electrical supply is required. (Time-delay fuse or circuit breaker is recommended.) Connect to individual branch circuit.

! WARNING



Electrical Shock Hazard

Plug into a grounded 3-prong outlet.

Do not remove ground prong.

Do not use an adapter.

Do not use an extension cord.

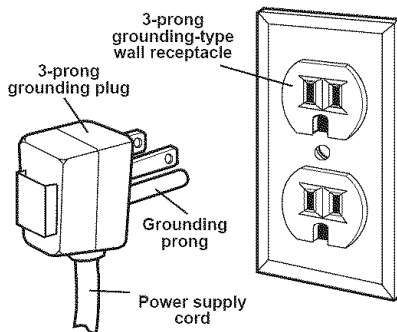
Failure to follow these instructions can result in death, fire, or electrical shock.

GROUNDING INSTRUCTIONS

WARNING: Improper connection of the equipment grounding conductor can result in a risk of electric shock. Check with a qualified electrician or serviceman if you are in doubt as to whether the appliance is properly grounded. Do not modify the plug provided with the appliance – if it will not fit the outlet, have a proper outlet installed by a qualified electrician.

For your personal safety, this washer must be grounded. In the event of malfunction or breakdown, grounding will reduce the risk of electric shock by providing a path of least resistance for electric current.

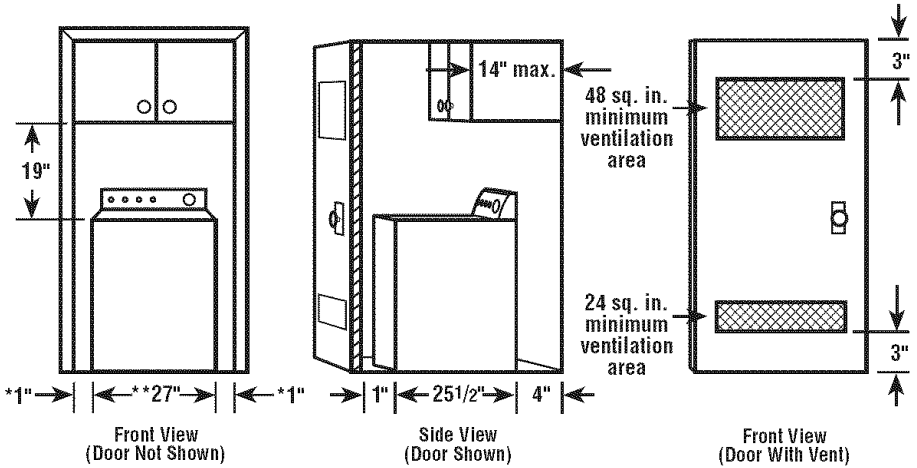
This washer is equipped with a power supply cord having a 3-prong grounding plug. To minimize possible shock hazard, you must plug the power supply cord into a mating 3-prong grounding-type wall receptacle, grounded in accordance with National Electrical Code, ANSI/NFPA 70-latest edition and all local codes and ordinances.



A. SELECT LOCATION FOR YOUR WASHER –

RECESSED AREA/ CLOSET INSTALLATION INSTRUCTIONS

This washer may be installed in a recessed area or closet.



*Additional clearance for wall, door and floor moldings may be required.

To reduce transfer of washer sounds, a clearance of 1 inch on the sides of the washer is recommended.

**Washer width can be 24" or 27" depending on model selected.

- The installation spacing is in inches and is the minimum allowable.
- Allow additional space if other appliances are to be installed in the area.
- If closet door is installed, the minimum air openings in top and bottom are required. Louvered doors with equivalent air openings in top and bottom are acceptable.

LAUNDRY TUB DRAIN SYSTEM

Check location where washer will be installed. This washer can be installed using one of three systems:

- Laundry tub drain system (below)
- Standpipe drain system (p. 12)
- Floor drain system (p. 12)

Do not store or operate washer at or below 32°F (some water may remain in washer). See page 30 for Winterizing Information.

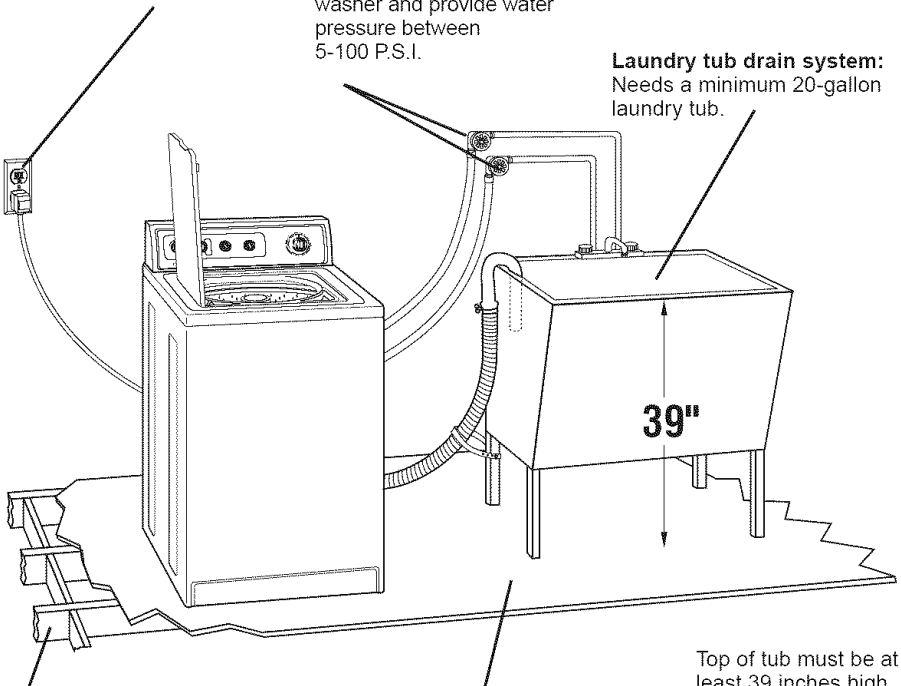
Proper installation is your responsibility. Make sure you have everything necessary for correct installation including the following points:

Grounded receptacle: Must be within 4 feet of where the power cord is attached to the back of the washer.

Hot and cold water faucets: Must be within 4 feet of the hot and cold water fill valves attached to the back of the washer and provide water pressure between 5-100 P.S.I.

Water heater: To get the best washing results, set water heater to deliver 140°F water to washer.

Laundry tub drain system: Needs a minimum 20-gallon laundry tub.

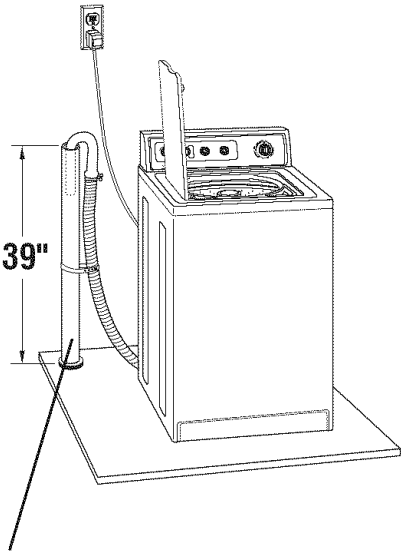


Support: Floor must be sturdy enough to support a total weight of 315 pounds (including washer, water, and load weight).

Level floor: Maximum allowable slope under entire washer – 1 inch.

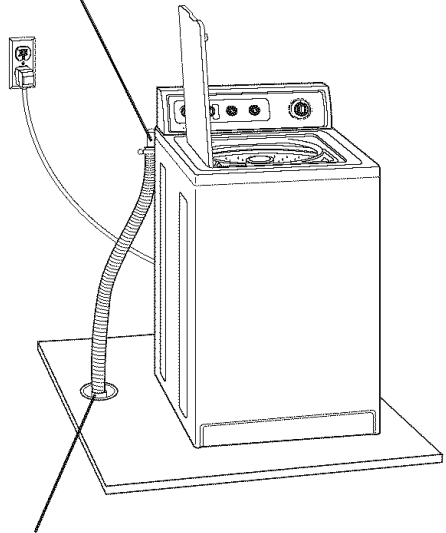
Top of tub must be at least 39 inches high and no higher than 96 inches from bottom of washer.

ALTERNATE LOCATIONS – STANDPIPE AND FLOOR DRAIN SYSTEMS



Standpipe drain system: Needs a two-inch minimum diameter standpipe with minimum carry-away capacity of 17 gallons per minute. Top of standpipe must be at least 39 inches high and no higher than 96 inches from bottom of washer.

Siphon break: Must be purchased separately. See chart below.



Floor drain system: Requires a siphon break, see chart below. A minimum carry-away capacity of 17 gallons per minute is required.

If you have:	You will need to buy:
Laundry tub or standpipe higher than 96 inches	Sump pump system (if not already available)
1-inch diameter standpipe	2-inch diameter to 1-inch diameter standpipe adapter, Part No. 3363920
Overhead sewer	Standard 20 gallon, 39-inch high drain tub or utility sink and sump pump (available from local plumbing suppliers)
Floor drain	Siphon break, Part No. 285320; additional drain hose, Part No. 3357090; and Connector Kit, Part No. 285442

Parts listed are available from your local Sears store or Sears Service Center. Call 1-800-366-PART (1-800-366-7278).

B. REMOVE SHIPPING STRAP

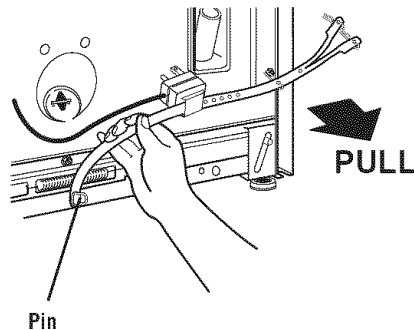
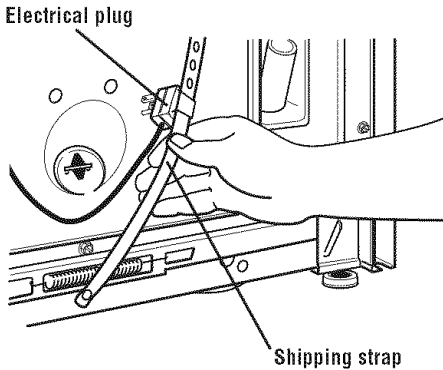
Removing the shipping strap is necessary for smooth operation. If the shipping strap is not removed, the washer will make excessive noise.

To prevent floor damage, set washer onto cardboard before moving across floor.

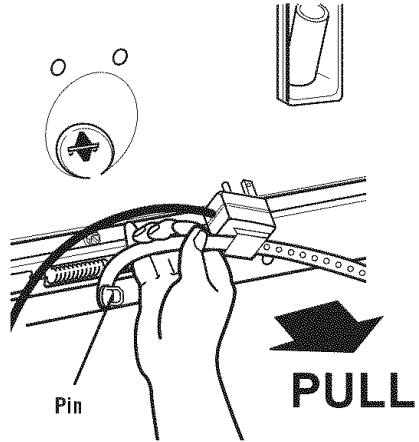
Move washer close to its final location.

STEP 1. Read, then remove the label over the electrical plug and shipping strap.

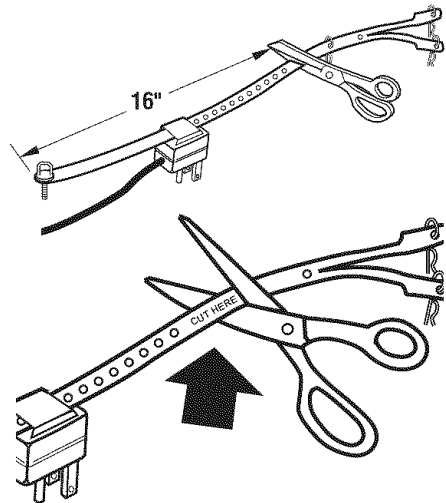
STEP 2. Pull the yellow shipping strap completely out of the washer. There should be three cotter pins on the end of the shipping strap when it is pulled out of the washer. The electrical plug is attached to this shipping strap.



STEP 3. Pull firmly to remove the end of the shipping strap that remains pinned to the back of washer. This will release the rear self-leveling legs.



STEP 4. Cut the shipping strap about 16 inches from plug end. Look for the words "CUT HERE." Remove shipping strap from the electrical plug.



NOTE: For use in securing the drain hose, save the end of the shipping strap that does not have the three cotter pins. Discard the rest.

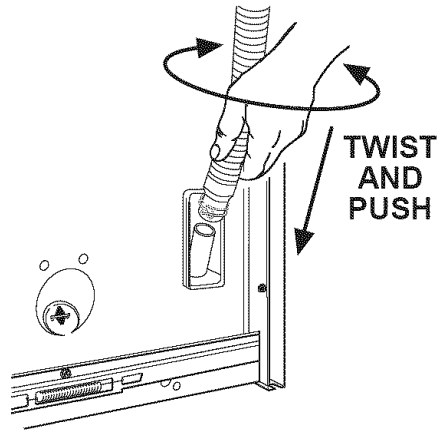
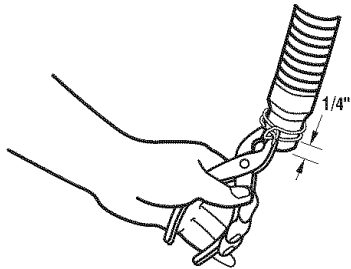
C. CONNECT DRAIN HOSE

Proper connection of the drain hose will protect your floors from damage due to water leakage.

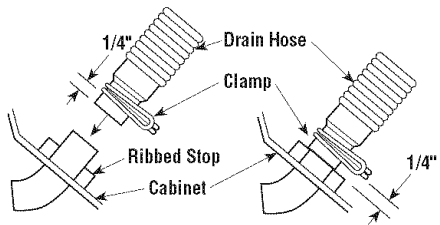
STEP 1. To prevent the drain hose from coming off or leaking, it must be installed per the following instructions:

IMPORTANT: This procedure must be followed to ensure proper installation.

- Wet the inside of the straight end of the drain hose with tap water. **DO NOT USE ANY OTHER LUBRICANT.**
- Squeeze ears of silver, double-wire clamp with pliers to open. Place clamp over the straight end of the drain hose $\frac{1}{4}$ inch from the end.



- Place clamp over area marked "CLAMP." Release clamp.



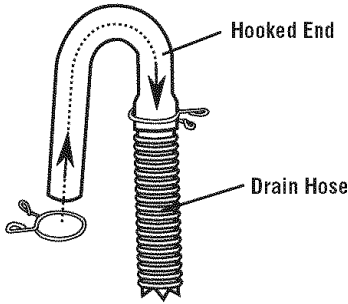
- Open clamp. Twist hose back and forth while pushing down onto drain connector at the bottom of the washer. Continue until hose contacts the ribbed stop on the cabinet.

If you have:	You will need to buy:
Drain hose that is too short	Drain hose, Part No. 388423 and hose kit, Part No. 285442
Drain hose that is too long	Hose kit, Part No. 285442
A problem with lint clogging your drain	Drain protector, Part No. 367031

Parts listed are available from your local Sears store or Sears Service Center. Call 1-800-366-PART (1-800-366-7278).

For standpipe or laundry tub drain systems:

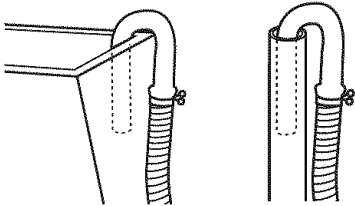
STEP 2. Open yellow, single-wire clamp with pliers and slide over hooked end of drain hose to secure the rubber and corrugated sections together.



STEP 3. Put hooked end of drain hose into laundry tub or standpipe. Check for proper length of drain hose. Rotate hook to eliminate kinks.

To prevent drain water from going back into the washer:

- Do not straighten hooked end of drain hose and force excess drain hose into standpipe.
- Do not lay excess drain hose in bottom of laundry tub.



D. CONNECT INLET HOSES TO WASHER

Proper connection of your inlet hoses will allow hot and cold water to enter your washer properly. It also helps prevent water damage due to leaks.

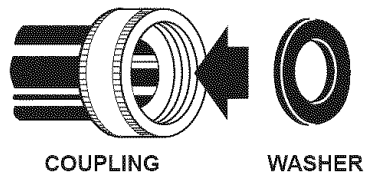
⚠ WARNING



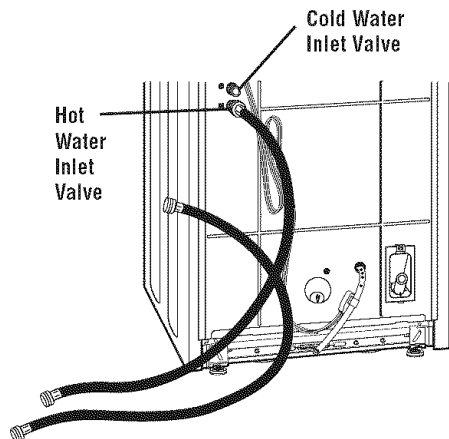
Slip and Fall Hazard
Use new water inlet hoses.
Failure to do so can result in head injury or broken bones.

NOTE: Replace inlet hoses after five years of use to reduce the risk of hose failure. Periodically inspect and replace inlet hoses if bulges, kinks, cuts, wear, or leaks are found. When replacing your inlet hoses, mark the date of replacement on the label with a permanent marker.

STEP 1. Insert one new, flat washer (from the parts bag) into each end of the inlet hoses. Check that washers are firmly seated in couplings.



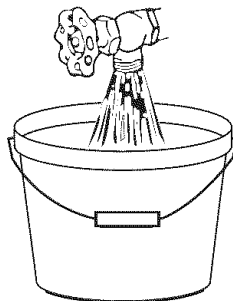
STEP 2. Attach the hose with the red coupling to the hot water (bottom) inlet valve. Attaching the red coupling first makes it easier to tighten connection with pliers. Screw on coupling by hand. Make an additional two-thirds turn with pliers to tighten coupling. **DO NOT OVERTIGHTEN;** this could damage the valves.



STEP 3. Attach the hose with the blue coupling to the cold water (top) inlet valve. Screw on coupling by hand. Make an additional two-thirds turn with pliers to tighten coupling. **DO NOT OVERTIGHTEN;** this could damage valves.

E. CONNECT INLET HOSES TO WATER FAUCETS

STEP 1. Make sure washer basket is empty. Run water through both faucets into a bucket or laundry tub to get rid of particles in the water lines that might clog hoses. Determine which faucet is hot and which is cold. Mark the hot water faucet.



STEP 2. Attach the hose with the red coupling to the hot water faucet. Screw on coupling by hand. Make an additional two-thirds turn with pliers to tighten coupling. **DO NOT OVERTIGHTEN;** this could damage the coupling.

STEP 3. Attach the hose with the blue coupling to the cold water faucet. Screw on coupling to faucet by hand. Make an additional two-thirds turn with pliers to tighten coupling. **DO NOT OVERTIGHTEN;** this could damage the coupling.

STEP 4. Turn on water faucets and check for leaks. A small amount of water may enter the washer. You will drain this later.

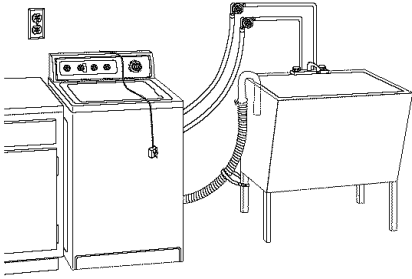
If you have:	You will need to buy:
Water faucets beyond the reach of water fill hoses	2 longer water fill hoses: 6 ft. hoses, Part No. 76314 or 10 ft. hoses, Part No. 350008

Parts listed are available from your local Sears store or Sears Service Center. Call 1-800-366-PART (1-800-366-7278).

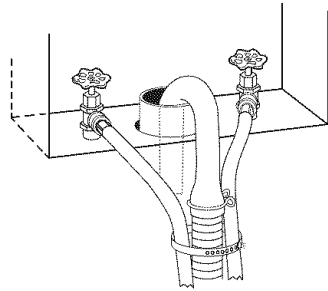
F. SECURE DRAIN HOSE

Securing the drain hose properly will protect your floors from damage due to water leakage.

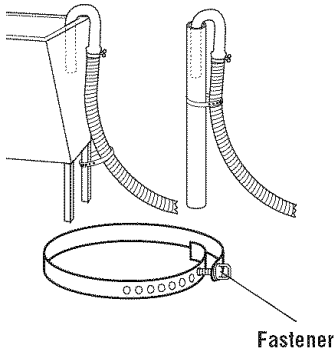
STEP 1. Move washer to its final location.



If the water faucets and drain standpipe are recessed, put hooked end of drain hose in standpipe. Tightly wrap the shipping strap around the drain hose and water inlet hoses (not the handles or stems). Push fastener into the nearest hole in the shipping strap.



STEP 2. Use the shipping strap you cut and removed (without the three cotter pins) and tightly wrap it around the drain hose and laundry tub or standpipe. Push fastener into the nearest hole in the shipping strap.



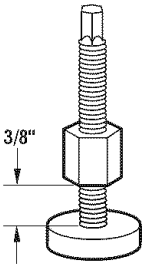
G. LEVEL WASHER

Leveling your washer properly prevents excessive noise and vibration.

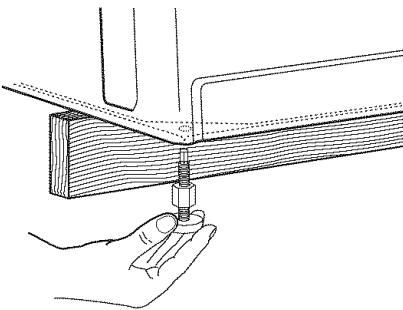
To install front legs:

STEP 1. Prop front of washer up (about 4 inches). Use a wood block or another object that will support the weight of the washer. If washer was placed against a wall, move the washer out slightly before tipping it up.

STEP 2. With one of the legs in hand, screw lock nut onto leg $\frac{3}{8}$ inch from top of leg base. This is the recommended initial setting.



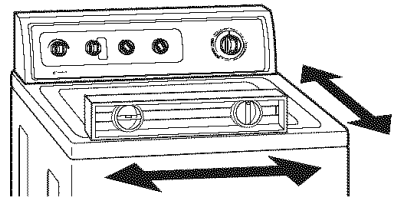
STEP 3. Screw leg into washer base by hand until nut reaches washer base. Repeat for other leg.



STEP 4. Tilt washer backward until front of washer is off the wood block. Remove wood block. Gently lower washer to floor.

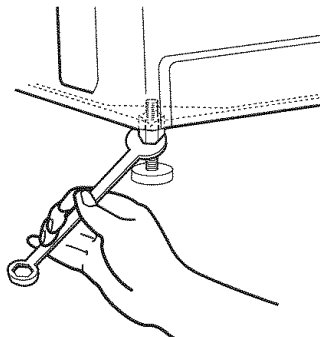
STEP 5. Move washer to its final location.

STEP 6. Tilt washer forward until rear of washer is at least 3 inches off floor. You may hear the self-adjusting rear legs click into place. Lower washer to floor. Check levelness of the washer by placing a level on top of the washer, first side-to-side; then front-to-back.



STEP 7. If washer is not level, prop up the front of the washer and adjust the legs up or down as necessary. Lower washer and reset self-adjusting rear legs (as in Step 6). Repeat Step 7 until the washer is level.

STEP 8. When washer is in its final location and level, use a $\frac{9}{16}$ -inch open-end wrench to turn nuts on front legs tightly against washer cabinet. If nuts are not tight against washer cabinet, the washer may vibrate.



REVIEW INSTALLATION

Take a few minutes to complete this checklist. It will help assure you that you have a proper installation and increase your satisfaction with your Kenmore washer.

- Check electrical requirements.
Be sure you have correct electrical supply and recommended grounding method.
 - Check that you have:
 - All the tools you started with.
 - Removed all packaging materials.
 - Removed shipping strap with three cotter pins.
 - Installed all parts listed on pages 6-8.
 - Check that:
 - The washer is level.
 - The nuts on the front legs are tight.
 - Check that the water faucets are turned on.
-

FINAL STEPS

- Plug power supply cord into grounded outlet.
- Remove the blue protective film on the console and any tape remaining on washer.
- Take a few minutes and read the Operating Instructions (pages 20-27) to fully understand your new washer. Then, start the washer and allow it to complete the NORMAL Cycle.

OPERATING YOUR WASHER

To get the maximum cleaning and fabric care from your washer, please read and follow these instructions.

NOTE: The drawings in this section show the basic features of all models covered by this manual. Refer to the supplied "Feature Sheet" for your washer's particular features.

⚠ WARNING



Explosion Hazard

Never place items in the washer that are dampened with gasoline or other flammable fluids.

No washer can completely remove oil.

Do not dry anything that has ever had any type of oil on it (including cooking oils).

Failure to follow these instructions can result in death, explosion, or fire.

STARTING WASHER

STEP 1. Add measured detergent directly into washer basket. Then place a load of sorted clothes in the washer.

STEP 2. (OPTIONAL STEP) If desired, add measured liquid chlorine bleach to the liquid bleach dispenser (if available); (see page 25).

STEP 3. (OPTIONAL STEP) If desired, add measured liquid fabric softener to the fabric softener dispenser (if available); (see page 26).

STEP 4. Close washer lid.

STEP 5. Set WATER LEVEL Control **(A)** based on the size of your wash load.

STEP 6. Set the WATER TEMPERATURE Control. **(B)**

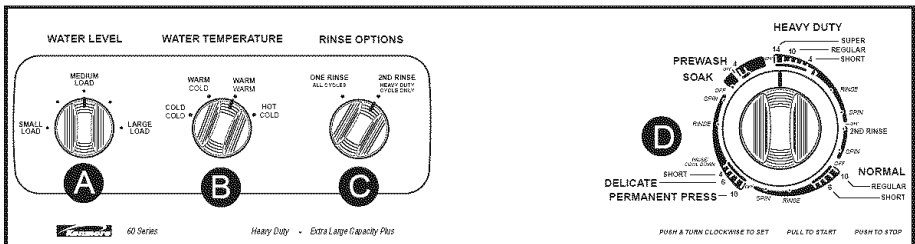
STEP 7. Set RINSE OPTIONS Control (if available); **(C)** (see page 23).

STEP 8. Push the Cycle Selector Control (Timer) Knob **(D)** and turn to the right. Set cycle and time according to the type of fabric in the load (see page 22).

STEP 9. Pull the Cycle Selector Control (Timer) Knob out. The dial will rotate as the cycle progresses. The knob will not rotate.

STOPPING/RESTARTING WASHER

- To stop the washer at any time, push the Cycle Selector Control (Timer) Knob in.
- Pull the knob out to restart.



SET WATER LEVEL CONTROL

This control gives you the flexibility to save water when washing small loads.

Your washer lets you select a water setting based on the size of your wash load.

- For normal loads, start with the MEDIUM LOAD Setting. Adjust up or down depending on your load. Clothes should move freely and roll toward the agitator.
- To change to a higher water level setting after the washer has started to agitate, turn the knob to the desired new setting.

SET WATER TEMPERATURE CONTROL

Your washer lets you select a wash and rinse water temperature setting based on the type of load you are washing.

Some washers allow you to select warm rinses:

- Using warm rinse water will leave loads dryer after the spin cycle than if you use cold rinse water. However, warm rinses may increase wrinkling when line drying.
- In cold climates, warm rinse water also provides a more comfortable temperature for handling the wash load.

SELECTING WATER TEMPERATURES

Wash Water Temperature	Suggested Fabrics	Comments
HOT 130°F or above	<ul style="list-style-type: none">• Work clothes• Sturdy whites/ colorfast pastels• Diapers	<ul style="list-style-type: none">• Best cleaning for heavily soiled items• Removes oils, perspiration, greasy soils, and stains• Prevents graying or yellowing
WARM 90°-110°F	<ul style="list-style-type: none">• Dark/non-colorfast colors• Permanent press items• Nylon, polyester, acrylics, silks, woolens• Knits/delicate fabrics	<ul style="list-style-type: none">• Best for moderately soiled to lightly soiled items• Safe for most fabric finishes• Less fading and dye bleeding• Reduces wrinkling
COLD* 70°-90°F	<ul style="list-style-type: none">• Extra-sensitive colors• Non-colorfast items• Hand washables	<ul style="list-style-type: none">• Best for very lightly soiled items• Saves hot water

*In wash water temperatures colder than 70°F, detergents do not dissolve well. Also, soils may be difficult to remove and some fabrics may retain wear wrinkles and have increased pilling – the formation of small lint-like balls on the surface of garments. Pilling is the natural result of wearing and washing of garments.

SETTING YOUR CYCLE SELECTOR (TIMER) CONTROL

Use this control to choose the agitation time and to start the washer. Each cycle is designed with the wash and spin speeds that are appropriate for the fabrics and soil levels in your wash load.

- For heavy soil and sturdy fabrics, use the full time (SUPER or REGULAR if indicated).
- For light soil and delicate fabrics, use less time (SHORT if indicated).

NOTE: Do not wash garments labeled Hand Wash in your washer. Garments that are labeled Hand Wash have:

- A fiber or construction that is sensitive to agitation.
- Sensitive dyes that may bleed.

Follow care label directions for drying. Items that may shrink should be dried flat. Block these items by gently stretching to original measurements. Woolens tend to shrink more the first time they are washed.

PERMANENT PRESS

You can select up to 10 minutes of wash time.

DELICATE

Use this cycle to get up to 6 minutes of wash time for lingerie and loosely knit items.

The PERMANENT PRESS/DELICATE Cycles include a load cooling process that reduces wrinkling compared to other cycles.

- Wash combines slow speed agitation for gentle soil removal and slow spin speeds to reduce wrinkling.

NOTE: When the timer reaches PAUSE, the washer will drain and pause for no more than two minutes while some of the wash water is drained and replaced with rinse water.

NORMAL

Use this cycle to get up to 10 minutes of wash time for normally soiled cottons and linens.

- Wash combines fast and slow speed agitation with fast spin speeds to shorten drying time.
- Selecting REGULAR gives you fast agitation speeds initially, then the washer steps down to a slow agitation speed.
- Selecting SHORT gives you slow agitation speed.

HEAVY DUTY

Use this cycle to get up to 14 minutes of wash time for sturdy or heavily soiled loads.

- Wash combines fast speed agitation and fast spin speeds.

PREWASH (on some models)

Use this cycle to get up to 4 minutes of agitation to help remove heavy soils and stains that need pretreatment. PREWASH Cycle should be followed by a HEAVY DUTY, NORMAL, or PERMANENT PRESS Cycle with additional detergent.

SOAK (on some models)

SOAK Cycle features 4 minutes of agitation followed by an unlimited soak time to help remove heavy soils and stains that need pretreatment. You will need to reset the washer to a SPIN setting to remove water. SOAK Cycle should be followed by a HEAVY DUTY, NORMAL, PERMANENT PRESS or PREWASH Cycle with additional detergent.

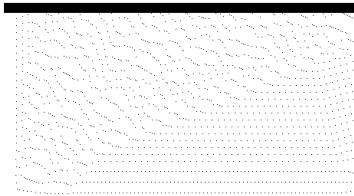
NOTE: We do not recommend hot water for soaking. It may set some stains.

AUTOMATIC 2ND RINSE

A second rinse will remove more detergent residue. It is especially beneficial if extra detergent has been used to remove heavy soils.

Washers with a RINSE OPTIONS Control allow you to automatically add a second rinse to the HEAVY DUTY Cycle.

Simply set the RINSE OPTIONS Control on 2ND RINSE before you start the washer. You won't have to come back to select a second rinse.



MANUAL RINSE AND SPIN

When using extra detergent for heavily soiled clothes, or washing special-care items, you may find an extra rinse and spin is needed.

STEP 1. Set WATER LEVEL Control.

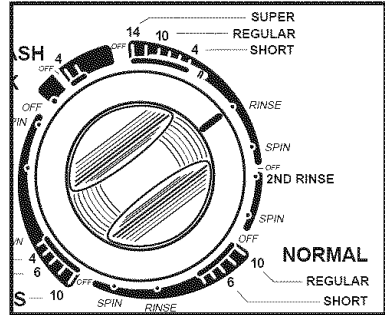
STEP 2. Set WATER TEMPERATURE Control.

STEP 3. Set RINSE OPTIONS Control (if available) to ONE RINSE.

STEP 4. Set the Cycle Selector Control (Timer) Knob to a RINSE setting:

- For fast agitation and spin, use the HEAVY DUTY Cycle.
- For slow agitation and spin, use the PERMANENT PRESS Cycle.
- For slow agitation and fast spin, use the NORMAL Cycle.

STEP 5. Pull Cycle Selector Control (Timer) Knob out to start washer.



OPERATION

SPIN ONLY

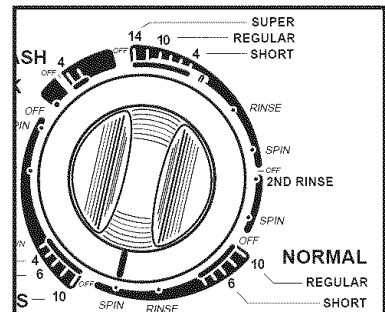
A drain and spin may help shorten drying times for some heavy fabrics or special-care items by removing excess water.

STEP 1. Set RINSE OPTIONS Control (if available) to ONE RINSE.

STEP 2. Set the Cycle Selector Control (Timer) Knob to a SPIN setting:

- For fast spin, use the NORMAL Cycle.
- For slow spin, use the PERMANENT PRESS Cycle.

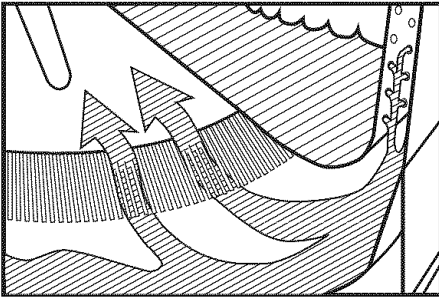
STEP 3. Pull the Cycle Selector Control (Timer) Knob out to start washer.



SELF-CLEANING LINT FILTER

Lint is filtered from the load automatically – there's no messy cleanup.

Your washer features a self-cleaning filter that traps lint from the water while the washer is washing and deep rinsing the laundry. The trapped lint is flushed down the drain automatically. You don't have to clean the filter.

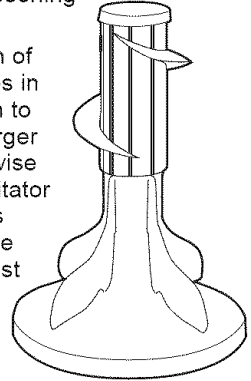


DUAL-ACTION™ AGITATOR

The Kenmore DUAL-ACTION™ Agitator gives you flexible fabric care for even your largest loads.

The best cleaning action in your washer takes place at the bottom where the agitator vanes move back and forth to flex the fabric, loosening the soil.

The upper portion of the agitator moves in only one direction to help you wash larger loads. The clockwise rotation of the agitator forces the clothes on top down to the bottom where most of the cleaning action takes place.

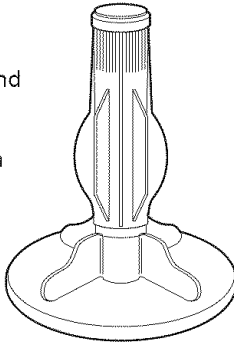


AGITATORS

Your Kenmore washer will have one of the three agitators shown on this page.

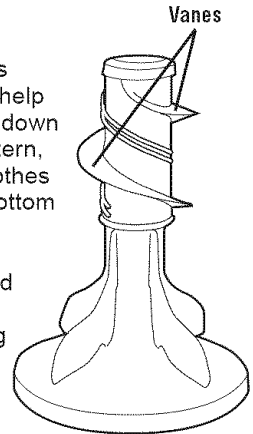
STRAIGHT VANE AGITATOR

This agitator is found in Kenmore extra-large capacity washers. Its design is well-suited to handle your everyday loads.



DOUBLE ROLL-OVER DUAL-ACTION™ AGITATOR

This agitator operates identically to the DUAL-ACTION™ Agitator and adds special vanes to help push the clothes down in a spiraling pattern, displacing the clothes that are on the bottom with a "roll-over" motion. These uniquely designed vanes are more efficient in getting the clothes to "roll" down to where they are cleaned.



UNDERSTANDING NORMAL WASHER SOUNDS

Your new washer may make sounds that your old one didn't. Because the sounds are unfamiliar, you may be concerned about them.

The following describes some of the normal sounds you may hear and what causes them.

During Washing

When you select a small load size setting for a small wash load, your washer has a lower water level. With this lower water level, you may hear a clicking sound from the upper portion of the agitator.

During Drain

The rate that water is drained from your washer depends on your installation. If water is drained quickly from the washer, you may hear air being pulled through the pump. This happens during the end of draining.

After Drain and Before Spin

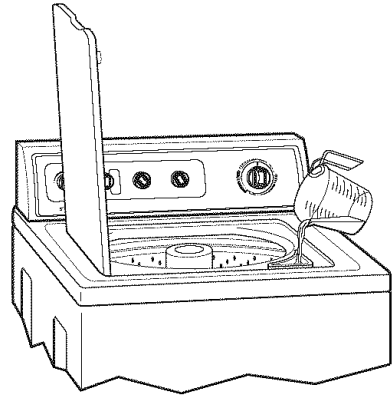
When the cycle changes from draining to spinning, you may hear a noise as the gearcase shifts.

USING THE LIQUID CHLORINE BLEACH DISPENSER (some models)

Automatically dilutes bleach to ensure the cleanest and brightest loads.

Always measure liquid chlorine bleach.

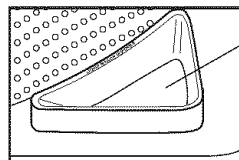
Use a measuring cup, do not guess. Do not pour directly from bottle. Never use more than 1 cup for a full load. Use less with smaller loads. Follow manufacturer's directions for safe use. A cup with a pouring spout will help you avoid spilling.



After loading the washer, pour measured liquid chlorine bleach carefully into the dispenser.

- Do not let bleach splash, drip, or run down into washer basket. Undiluted bleach will damage any fabric it touches.
- Start the washer. Bleach will be diluted automatically before it comes in contact with the wash load.

NOTE: Do not use this dispenser to add powdered chlorine or color-safe bleach to your wash load. The dispenser is for liquid chlorine bleach only.

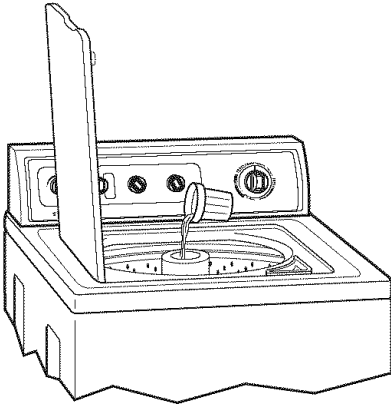


Liquid chlorine bleach dispenser

USING THE LIQUID FABRIC SOFTENER DISPENSER (some models)

After loading the washer, measure and add the recommended amount of fabric softener into the dispenser. Follow manufacturer's directions.

NOTE: Pouring too much fabric softener into the dispenser will cause the fabric softener to dispense instantly into the load due to siphoning action. This instant "dump" could damage fabrics and will make it appear that your dispenser is not working correctly.



- Add warm water to fill the dispenser until it reaches the crossed opening at the bottom of the funnel-shaped portion of the dispenser.
- Fabric softener is dispensed into the first deep rinse water automatically.

NOTE: Fabric softeners are not compatible with detergents. This dispenser should never be used in the PREWASH Cycle since it would dispense fabric softener into a wash load that has not been rinsed. Undiluted fabric softener spilled on fabric may result in spots that look like oil stains.

If you ever use your dispenser this way by mistake, rewash the load with extra detergent to remove these deposits.

To Remove the Fabric Softener Dispenser for Cleaning

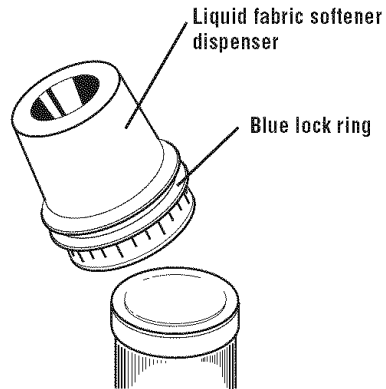
STEP 1. Pull the blue lock ring up, then remove dispenser from agitator by pulling up.

STEP 2. Flush the dispenser with warm water.

To Replace the Fabric Softener Dispenser

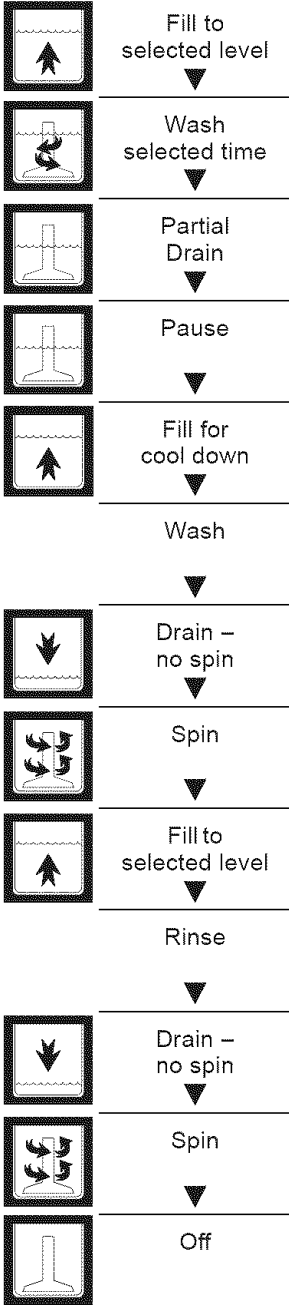
STEP 1. Be sure the blue lock ring is pulled up. Starting at an angle (see illustration), push the bottom of the dispenser down on the agitator top.

STEP 2. When the dispenser is seated on the agitator, push the blue lock ring down until it snaps in place. It must fit tightly.

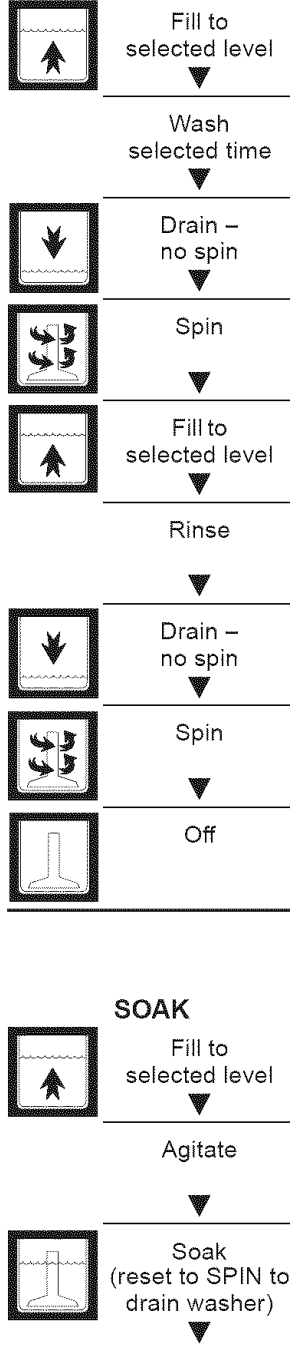


UNDERSTANDING WHAT HAPPENS IN EACH CYCLE

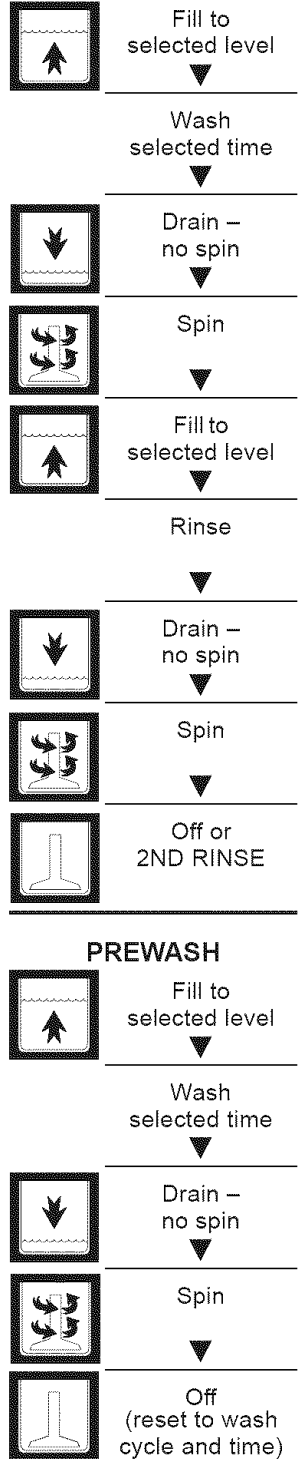
PERMANENT PRESS/ DELICATE



NORMAL



HEAVY DUTY



OPERATION

LAUNDRY TIPS

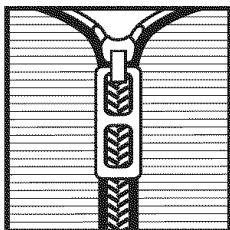
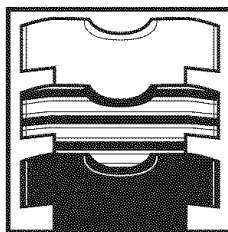
PREPARING CLOTHES FOR WASHING

Follow these recommendations to help you prolong the life of your garments.

- Close zippers, snaps, and hooks to avoid snagging other items. Remove pins, buckles, and other hard objects to avoid scratching the washer interior. Remove non-washable trim and ornaments.
- Empty pockets and turn them inside out.
- Turn down cuffs, brush away lint and dirt.
- Turn synthetic knits inside out to avoid pilling.
- Tie strings and sashes so they will not tangle.
- Mend tears, loose hems, and seams.
- Treat spots and stains.
- Stained or wet garments should be washed promptly for best results.

SORTING

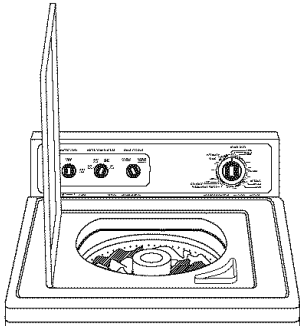
- Separate heavily soiled items from lightly soiled ones, even if they would normally be washed together. Separate lint givers (towels, chenille) from lint takers (corduroy, synthetics, permanent press). When possible, turn lint givers inside out.
- Separate dark colors from light colors, colorfast items from non-colorfast items.
- Sort by fabric and construction (sturdy cottons, knits, delicate items).



LOADING

Proper loading of your washer contributes to proper cleaning and fabric care and reduces machine noise.

- Drop items into washer loosely. Fill to the top of the basket (top row of holes). Do not wrap items around the agitator. Items should move easily through wash water for best cleaning and wrinkle-free results. Items should sink and reappear later.
- Load washer properly and select correct water level setting. Overloading or packing the machine, and selecting a setting too small for the wash load can:
 - cause poor cleaning
 - increase wrinkling
 - create excessive lint
 - wear out items faster (because of pilling)
- Load by the amount of space items take up, not by their weight.
- Mix large and small items in each load. Load evenly to maintain washer balance. An off-balance load can make the washer vibrate during spin.
- Use a higher water level setting to reduce wrinkling with permanent press clothes and some synthetic knits. These items should have more room to move in the water than heavy items (towels, jeans).
- Reduce wash time by using a lower water level setting. Loads with only a few small items need less wash time.



LOADING SUGGESTIONS

For these suggested full-sized loads, set the WATER LEVEL Selector to the highest water level setting.

SUPER CAPACITY PLUS WASHERS		
Heavy Work Clothes	Towels	Mixed Load
4 jeans	10 bath towels	3 sheets (1 king, 2 twin)
4 workpants	10 hand towels	4 pillowcases
4 workshirts	14 wash cloths	2 shirts
2 sweatshirts		3 blouses
2 sweatpants		9 T-shirts
		9 shorts
		10 handkerchiefs

SUPER CAPACITY WASHERS		
Heavy Work Clothes	Towels	Mixed Load
4 jeans	9 bath towels	3 sheets (1 king, 2 twin)
4 workpants	9 hand towels	4 pillowcases
2 workshirts	10 wash cloths	2 shirts
1 sweatshirt		2 blouses
1 sweatpants		8 T-shirts
		6 shorts
		8 handkerchiefs

LAUNDRY TIPS

EXTRA-LARGE CAPACITY PLUS WASHERS		
Heavy Work Clothes	Towels	Mixed Load
3 jeans	7 bath towels	2 sheets (1 king, 1 twin)
3 workpants	8 hand towels	2 pillowcases
2 workshirts	9 wash cloths	2 shirts
1 sweatshirt		2 blouses
1 sweatpants		6 T-shirts
		5 shorts
		6 handkerchiefs

EXTRA-LARGE CAPACITY WASHERS		
Heavy Work Clothes	Towels	Mixed Load
2 jeans	6 bath towels	2 sheets (1 king, 1 twin)
2 workpants	6 hand towels	2 pillowcases
2 workshirts	8 wash cloths	1 shirt
1 sweatshirt		1 blouse
1 sweatpants		4 T-shirts
		5 shorts
		6 handkerchiefs

CARING FOR YOUR WASHER

CLEANING YOUR WASHER

Proper care of your washer can extend its life. This section explains how to care for your washer properly and safely.

Exterior

Wipe up detergent, bleach, and other spills with a soft, damp cloth or sponge as they occur. Occasionally wipe the outside of the washer to keep it looking like new.

Do not put sharp or metal objects in your washer. They can damage the finish. Check all pockets for pins, clips, money, bolts, nuts, etc. Do not lay these objects on your washer after emptying pockets.

Interior

Clean interior with 1 cup of chlorine bleach mixed with 2 cups of detergent. Run washer through a complete cycle using hot water. Repeat process if necessary.

NOTE: Remove hard water deposits using only cleaners labeled as washer safe.

WATER INLET HOSES

Replace inlet hoses after five years of use to reduce the risk of hose failure. Periodically inspect and replace inlet hoses if bulges, kinks, cuts, wear, or leaks are found. When replacing your inlet hoses, mark the date of replacement on the label with a permanent marker.

WINTER STORAGE OR MOVING CARE

Install and store your washer where it will not freeze. Because some water may stay in the hoses, freezing can damage your washer. If storing or moving your washer during freezing weather winterize it.

To winterize washer:

1. Shut off both water faucets.
2. Disconnect and drain water inlet hoses.
3. Put 1 quart of R.V.-type antifreeze in the basket.
4. Run washer on a SPIN setting for about 30 seconds to mix the antifreeze and water. Some of the mixture will pump out while the washer spins.
5. Unplug the power supply cord.

To use washer again:

1. Flush water pipes and hoses.
2. Reconnect water inlet hoses.
3. Turn on both water faucets.
4. Reconnect power supply cord.
5. Run the washer through a complete cycle with 1 cup of detergent to clean out antifreeze.

NON-USE OR VACATION CARE

Operate your washer only when you are at home. If you will be on vacation or not using your washer for an extended period of time, you should:

- Unplug the power supply cord or turn off electrical power to the washer.
- Turn off the water supply to the washer. This helps avoid accidental flooding (due to a water pressure surge) while you are away.

TROUBLESHOOTING

Most laundering problems are easily solved if you understand the cause. Check these lists for common laundry

and washer problems. If you need further assistance, see page 36.

Problem	Possible Cause	Solution
Washer Leaks	Household plumbing is leaking.	Repair plumbing.
	Inlet hoses not tight.	Tighten hoses (see "INSTALLATION," Sections D & E).
	Inlet hose washers not properly seated.	Reseat washers (see "INSTALLATION," Section D).
	Drain hose not properly clamped or is off.	Clamp drain hose (see "INSTALLATION," Section C).
	Drain is clogged.	Remove drain clogs. Sink, standpipe, or floor drain must be able to handle 17 gallons of water per minute.
	Tub moved forward during unloading, causing water to deflect off of tub ring.	Ensure tub is centered before starting washer.
	Unit not level causing water to deflect off of tub ring.	Ensure front feet are installed and nuts are tightened. Level washer. Reset rear legs (see "INSTALLATION," Section G).
	Load is unbalanced. Spray rinses are deflecting off of load.	Redistribute the load.
Washer is overloaded. Fills or spray rinses are deflecting off of load.	Reduce load size.	
Won't Drain/ Won't Spin/ Wet Loads	Drain hose is kinked or clogged.	Straighten or unplug hose (see "INSTALLATION," Section C).
	Correct operation of neutral drain.	After a wash or rinse, the washer will drain without spinning. After draining, the spinning begins.
	Lid is open.	Close the lid.
	Drain hose is more than 96 inches above floor.	Lower drain hose (see "INSTALLATION," Section C).
	Too much detergent – excessive sudsing.	Use less detergent.
	Wrong cycle for load being washed.	Choose a cycle with a higher spin speed (see "OPERATION").

Problem	Possible Cause	Solution
Won't Drain/ Won't Spin/ Wet Loads (cont.)	Low voltage or using an extension cord.	Check electrical source or call electrician. Do not use extension cords.
	Cold rinses.	Cold rinses leave loads wetter than warm rinses. This is normal.
Continues to Fill/ Continues to Drain/ Cycle Stuck	Drain hose is less than 39 inches above floor.	Raise the drain hose (see "INSTALLATION," Section C).
	Drain hose fits tightly into standpipe.	Adjust drain hose for loose fit (see "INSTALLATION," Section C).
	Drain hose taped into standpipe.	Do not seal off drain hose with tape. The drain hose needs an air gap.
Washer Makes Noise	Load is unbalanced.	Redistribute load.
	Washer is not level. Rear leveling legs not set.	Level washer. Reset rear legs (see "INSTALLATION," Section G).
	Nuts on front feet not tight.	Tighten nuts (see "INSTALLATION," Section G).
	Yellow shipping strap with cotter pins not completely removed.	Remove strap with cotter pins (see "INSTALLATION," Section B).
	Floor not strong enough to support washer.	Relocate washer (see "INSTALLATION," Section A).
	Gears engaging after drain and before spin.	This is normal.
	Upper part of agitator clicks during wash.	This is normal.
Won't Fill/ Won't Rinse/ Won't Agitate/ Wrong Temperature	Water inlet valve screens are plugged.	Clean screens.
	Water is turned off.	Turn on water.
	Hot and cold hoses are reversed.	Reverse hoses (see "INSTALLATION," Sections D & E).
	Inlet hose is kinked.	Straighten hoses.
	Timer dial is not lined up.	Turn timer knob to the right slightly and pull to start.
	Power cord not plugged in.	Plug in power cord.

Problem	Possible Cause	Solution
Machine Stops	Power cord not plugged in.	Plug in power cord.
	No power at plug.	Check electrical source or call electrician.
	Fuse blown or circuit breaker open.	Replace fuse or reset circuit breaker. If problem continues, call electrician.
	Using an extension cord.	Do not use extension cords.
	Timer is not lined up.	Turn timer to the right slightly and pull to start.
	Timer knob not pulled out.	Set and pull out knob.
	Washer at pause in PERMANENT PRESS Cycle (approximately two minutes).	Allow cycle to continue (see "OPERATION").
	Machine is overloaded.	Wash smaller loads.
Agitator Not Working	The top of the agitator moves only in one direction.	This is normal.
	The top of the agitator is loose.	This is normal.
Water Level Too Low/Not Completely Filling	The top of the agitator is much higher than the highest water level. This creates a perception of the washer not being full.	This is normal.
Tub is Crooked	Tub pulled forward when unloading.	Ensure tub is centered before starting washer.
	Tub moves.	This is normal.
	Unit not level.	Ensure front feet are installed and nuts are tightened. Level washer. Reset rear legs (see "INSTALLATION," Section G).
Lint on Load	Improper sorting.	Sort lint givers from lint takers and by color.
	Overloading.	Lint can be trapped in load if overloaded. Wash smaller loads.
	Paper or tissue in pockets.	Clean out pockets before washing.
	Not enough detergent.	Use enough detergent to hold lint in water.
	Detergent not dissolving.	Use wash water warmer than 70°F.

Problem	Possible Cause	Solution
Tearing	Overloading. Improper use of washer.	Loads should move freely during wash. Wash smaller loads.
	Improper use of chlorine bleach. Undiluted bleach will damage fabrics.	Do not pour chlorine bleach directly on load. Wipe up bleach spills.
	Sharp items not removed from pockets; fasteners not fastened.	Clean out pockets before washing. Zip zippers before washing.
	Items damaged before washing.	Mend rips and broken threads in seams before washing.
Stains on Load	Improper use of fabric softener in washer or dryer.	Dilute fabric softener and add to deep rinse only.
	Iron in water (rust).	Install an iron filter.
	Under use of detergent causing soil to be redeposited.	Use enough detergent to remove soil and hold it in suspension.
	Dye transfer due to not sorting loads properly.	Sort dark clothing from whites and lights.
	Dye transfer due to not unloading washer promptly.	Unload the washer as soon as it stops.
Load is Wrinkled	Not removing load promptly.	Unload the washer as soon as it stops.
	Wrong cycle for fabrics being washed.	Use cold rinses and cycles with slow spin speeds to reduce wrinkling.
	Overloading.	Loads should move freely during wash. Wash smaller loads.
	Wash water not warm enough to relax wrinkles. Using warm rinses.	If safe for fabric, use warm or hot wash water. Use cold rinse water.
	Hoses reversed.	Reverse hoses (see "INSTALLATION," Sections D & E).
Load is Tangled/ Twisted	Overloading.	Loads should move freely during wash. Wash smaller loads.
	Clothes wrapped around agitator.	Do not wrap items around agitator when loading the washer.
Clogged Dispensers/ Bleach Leaking/ Bleach on Wrong Loads	Not diluting softener.	Dilute fabric softener in dispenser.
	Use of color-safe bleach in chlorine bleach dispenser.	Add color-safe bleach directly to the basket. Do not use chlorine bleach dispenser.
	Improper use of chlorine bleach.	Always measure bleach before adding to the dispenser. Carefully pour into the dispenser. Wipe up bleach spills.

SEARS MAINTENANCE AGREEMENT

KENMORE WASHERS

We Service What We Sell

"We Service What We Sell" is our assurance you can depend on Sears for service. Your washer has added value when you consider that Sears has service units nationwide, staffed with professional technicians specifically trained on Sears appliances and having parts, tools and equipment to ensure that we meet our pledge to you... "We Service What We Sell!"

Sears Maintenance Agreement

Maintain the value of your Kenmore washer with a Sears Maintenance Agreement. Kenmore washers are designed, manufactured, and tested for years of dependable operation. Yet any appliance may require service from time to time.

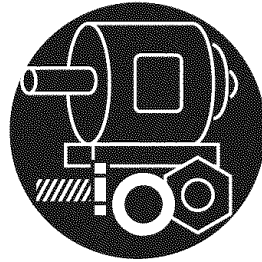
The Sears Maintenance Agreement

- Is your way to buy tomorrow's service at today's prices.
- Eliminates repair bills resulting from normal use.
- Allows for as many service calls as required.
- Provides for service by professional Sears Trained Technicians.
- Even if you don't need repairs, the Maintenance Agreement offers an annual preventative maintenance checkup at your request!

**For more information,
call 1-800-827-6655.**

For the repair or replacement parts you need delivered directly to your home
Call 7 am - 7 pm, 7 days a week

1-800-366-PART
(1-800-366-7278)



For in-home major brand repair service
Call 24 hours a day, 7 days a week

1-800-4-REPAIR
(1-800-473-7247)



For the location of a Sears Parts and Repair Center in your area
Call 24 hours a day, 7 days a week

1-800-488-1222



For information on purchasing a Sears Maintenance Agreement or to inquire about an existing Agreement
Call 9 am - 5 pm, Monday - Saturday

1-800-827-6655



When requesting service or ordering parts, always give the following information:

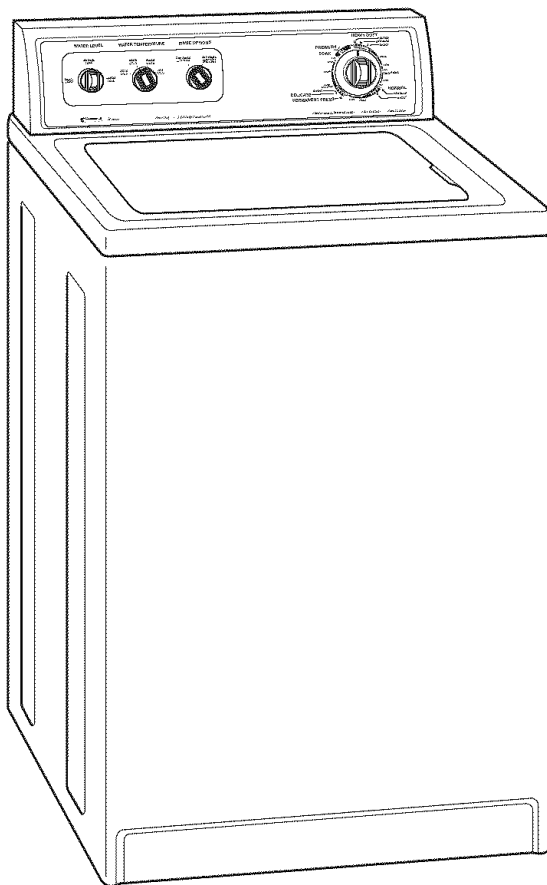
- Product Name
- Part Name
- Model Number
- Part Number



Manual del propietario e instrucciones de instalación



LAVARROPAS AUTOMÁTICOS Con dos velocidades



IMPORTANTE:

Lea y siga todas las instrucciones de seguridad y de modo de empleo antes de usar este producto por primera vez.

Es posible que el lavarropas tenga un aspecto distinto al ilustrado en este manual.

Sears, Roebuck and Co., Hoffman Estates, IL 60179 U.S.A.

CONTENIDO

ANTES DE USAR SU NUEVO LAVARROPAS _____	2
GARANTÍA DEL LAVARROPAS AUTOMÁTICO SEARS _____	3
INSTRUCCIONES IMPORTANTES DE SEGURIDAD _____	4
INSTRUCCIONES DE INSTALACIÓN _____	5
FUNCIONAMIENTO DEL LAVARROPAS _____	20
SUGERENCIAS DE LAVANDERÍA _____	28
CUIDADO DEL LAVARROPAS _____	30
LOCALIZACIÓN Y REPARACIÓN DE AVERÍAS _____	31
ACUERDO DE MANTENIMIENTO SEARS _____	35

ANTES DE USAR SU NUEVO LAVARROPAS

Por favor, lea este manual, pues le ayudará en la instalación y funcionamiento de su nuevo lavarropas Kenmore de la manera más segura y económica.

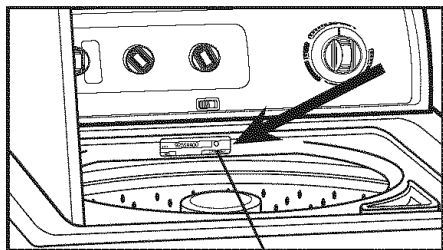
Para obtener información adicional sobre el cuidado y funcionamiento de los electrodomésticos Kenmore, llame al establecimiento Sears más cercano. Necesitará tener a mano los números completos del modelo y de serie de su lavarropas, los cuales se encuentran en la placa del modelo y del número de serie.

Use el espacio a continuación para registrar el número del modelo y de serie de su nuevo lavarropas Kenmore.

No. del modelo _____

No. de serie _____

Fecha de compra _____



Placa del modelo y del número de serie

Guarde este libro y el comprobante de venta (el recibo) Sears en un lugar seguro para consultar en el futuro.

LAS PIEZAS MECÁNICAS Y COMPONENTES ELÉCTRICOS

Por un año a partir de la fecha de compra, si se instala y pone en funcionamiento el lavarropas de conformidad con las instrucciones incluidas en el Manual del propietario, Sears reparará o reemplazará cualquier pieza mecánica o componente eléctrico de este lavarropas, si aquellos exhiben algún defecto de material o mano de obra.

GARANTÍA LIMITADA DE 5 AÑOS SOBRE LAS PIEZAS DE LA CAJA DEL ENGRANAJE

Luego de un año y hasta un máximo de cinco a partir de la fecha de compra, Sears facilitará las piezas de repuesto a cambio de cualquier pieza defectuosa de la caja del engranaje. El usuario será responsable de los gastos de mano de obra.

GARANTÍA LIMITADA DE 10 AÑOS SOBRE LA TINA PLÁSTICA

Luego de un año y hasta un máximo de diez a partir de la fecha de compra, Sears

facilitará una tina plástica de repuesto a cambio de cualquier tina plástica que exhiba algún defecto de material o mano de obra. El usuario será responsable de los gastos de mano de obra.

Si se somete el lavarropas a un uso ajeno al familiar privado, la cobertura de la garantía anteriormente citada tendrá vigencia por 90 días solamente.

EL SERVICIO DE REPARACIÓN EN VIRTUD DE LA GARANTÍA ESTÁ DISPONIBLE LUEGO DE COMUNICARSE CON EL CENTRO DE SERVICIO TÉCNICO SEARS MÁS CERCANO EN LOS ESTADOS UNIDOS.

Esta garantía corresponde solamente mientras se use este producto en los Estados Unidos. Esta garantía otorga al usuario derechos legales específicos, y es posible que el usuario goce de otros derechos que variarán de un estado al otro.

Sears Roebuck and Co., Dept. 817WA,
Hoffman Estates, IL 60179.

Su seguridad y la de los demás es muy importante.

En este manual, así como en el lavarropas, Ud. encontrará una variedad de mensajes importantes de seguridad. Siempre recuerde que debe leer todos los mensajes de seguridad y obedecer sus instrucciones.



Este símbolo representa una alerta de seguridad. Este símbolo le proporciona advertencias contra peligros que podrían lastimar o causar la muerte a Ud. o a otras personas. Todos los mensajes de seguridad van precedidos del símbolo de alerta de seguridad y de la palabra "PELIGRO" o "ADVERTENCIA." Estas palabras significan:



Si no sigue las instrucciones Ud. morirá o sufrirá heridas serias.



Si no sigue las instrucciones Ud. puede morir o sufrir heridas serias.

Todos los mensajes de seguridad identificarán el peligro, le informarán en cuanto a cómo reducir el peligro de sufrir de heridas, y lo que puede suceder si Ud. no sigue las instrucciones.

INSTRUCCIONES IMPORTANTES DE SEGURIDAD

SU SEGURIDAD NOS IMPORTA MUCHÍSIMO

ADVERTENCIA: a fin de reducir el riesgo de incendio, descarga eléctrica o lesión sufrida por las personas que usen el lavarropas, deben seguirse precauciones básicas, incluidas las siguientes:

- Lea todas las instrucciones antes de usar el lavarropas.
- No lave los artículos que ya se hayan limpiado, lavado, remojado o manchado con gasolina, disolventes de limpieza en seco, otras sustancias inflamables o explosivas, puesto que estas despiden vapores que podrían encenderse o causar una explosión.
- No añada gasolina, disolventes de limpieza en seco, u otras sustancias inflamables o explosivas al agua de lavado. Estas sustancias despiden vapores que podrían encenderse o causar una explosión.
- En ciertas condiciones, puede generarse hidrógeno en un sistema de agua caliente que no se haya usado por dos semanas o un período mayor. **EL HIDRÓGENO ES INFLAMABLE.** Si no se ha usado el sistema de agua caliente por dicho período, antes de usar el lavarropas, abra todos los grifos de agua caliente y deje que corra el agua desde cada uno por varios minutos. Esta acción liberará todo el hidrógeno que se haya acumulado. Debido a la inflamabilidad de dicho gas, no fume ni use una llama descubierta durante este tiempo.
- No permita que jueguen niños en el lavarropas o en sus inmediaciones. Es necesaria la cuidadosa vigilancia de los niños toda vez que se use el lavarropas cerca de los niños.
- Quite la puerta del lavarropas antes de ponerlo fuera de funcionamiento o de descartarlo.
- No introduzca la mano en el lavarropas si la tina o el agitador de aspas está en movimiento.
- No instale ni almacene este lavarropas donde estará sometido a la intemperie.
- No trate de forzar los controles.
- No repare ni cambie pieza alguna del lavarropas ni intente realizar ninguna tarea de servicio técnico, excepto cuando así se le indique específicamente en el Manual del propietario o en instrucciones de reparación por el usuario publicadas que usted entienda y para cuya ejecución cuente con la habilidad necesaria.

GUARDE ESTAS INSTRUCCIONES

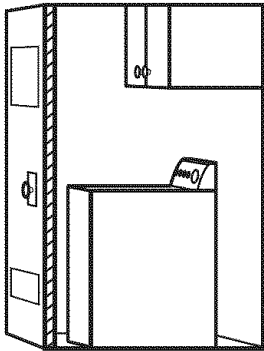
IMPORTANTE: Observe todos los códigos y reglamentos gubernamentales.

RESUMEN DE INSTALACIÓN

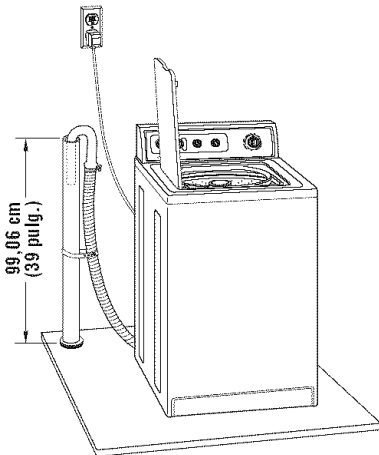
Si desea ver una lista completa de herramientas y piezas necesarias, consulte las páginas 6-8.

A. ESCOJA EL LUGAR DONDE DESEA INSTALAR EL LAVARROPAS (págs. 10-12)

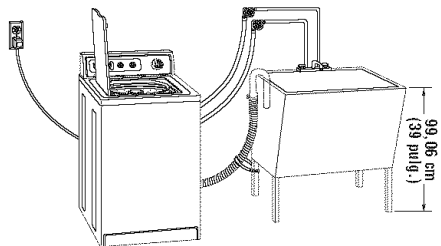
Instrucciones para la instalación en un lugar empotrado/guardarropas (pág. 10)



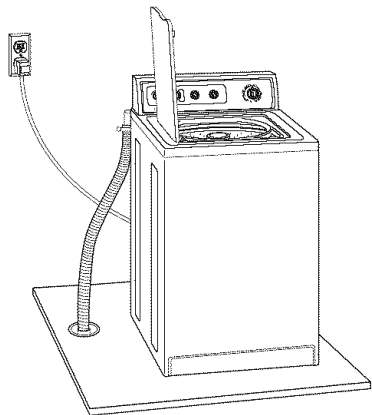
Sistema de desagüe por tubería vertical (pág. 12)



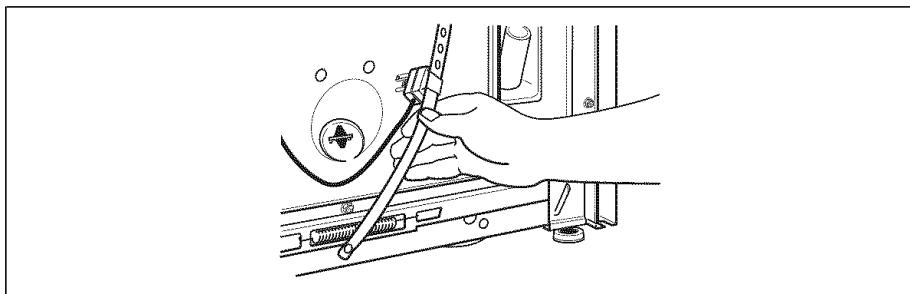
Sistema de desagüe por pila para lavar ropa (pág. 11)



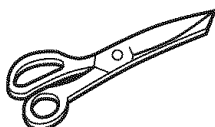
Sistema de desagüe por el suelo (pág. 12)



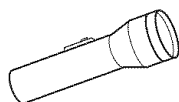
B. REMUEVA LA BANDA DE SUJECIÓN PARA TRANSPORTE (pág. 13)



Herramientas necesarias:

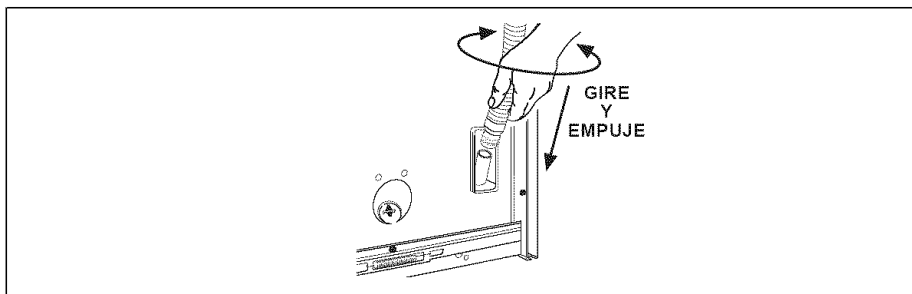


Tijeras



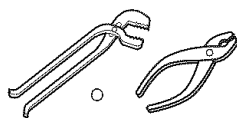
Linterna (opcional;
depende del tipo
de instalación)

C. CONECTE LA MANGUERA DE DESAGÜE (págs. 14-15)



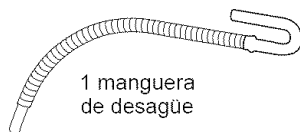
Herramientas necesarias:

Piezas necesarias:



Pinzas que se
abran a 3,95 cm
(1⁵/₁₆ pulg.)

Linterna (opcional;
depende del tipo
de instalación)



1 manguera
de desagüe

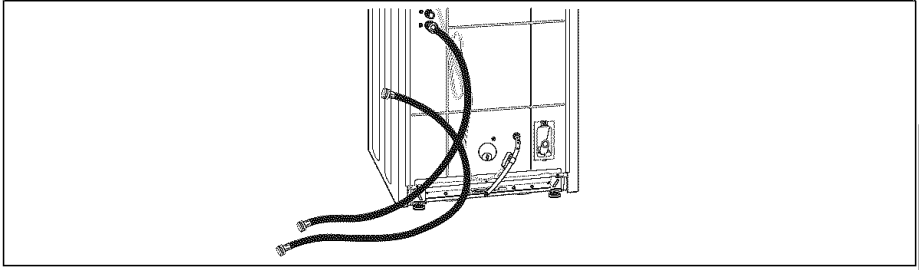


1 abrazadera amarilla
para manguera de
alambre único (parte
superior de la manguera
de desagüe)



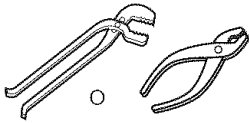
1 abrazadera plateada
para manguera de
alambre doble (parte
inferior de la manguera
de desagüe)

D. CONECTE LAS MANGUERAS DE ENTRADA DE AGUA AL LAVARROPAS (págs. 15-16)



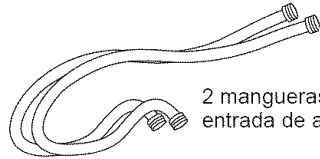
Herramientas necesarias:

Piezas necesarias:



Pinzas que se abran a 3,95 cm (1⁹/₁₆ pulg.)

Linterna (opcional; depende del tipo de instalación)

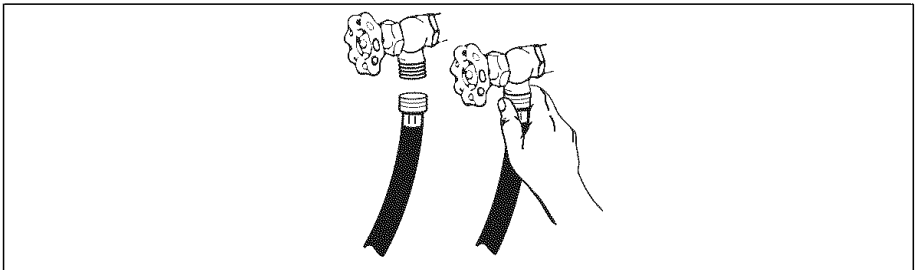


2 mangueras de entrada de agua



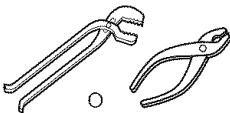
4 arandelas para mangueras de entrada de agua

E. CONECTE LAS MANGUERAS DE SUMINISTRO DE AGUA CON LAS LLAVES DE AGUA (pág. 16)



Herramientas necesarias:

Piezas necesarias:

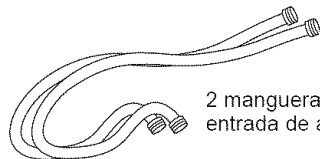


Pinzas que se abran a 3,95 cm (1⁹/₁₆ pulg.)



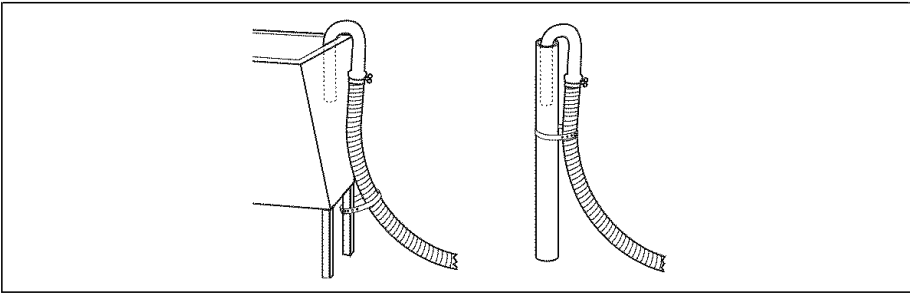
Cubeta (opcional; depende del tipo de instalación)

Linterna (opcional; depende del tipo de instalación)



2 mangueras de entrada de agua

F. ASEGURE LA MANGUERA DE DESAGÜE (pág. 17)



Herramientas necesarias:

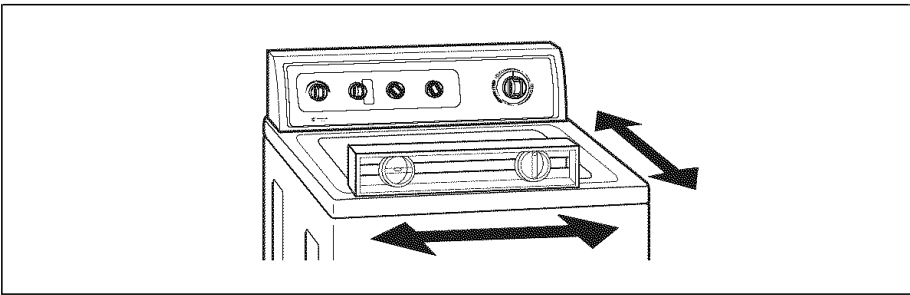
Linterna (opcional;
depende del tipo
de instalación)

Piezas necesarias:

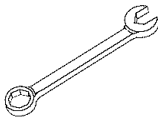


La banda de sujeción para
transporte con ajustador

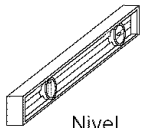
G. ARANDELA NIVELADORA (pág. 18)



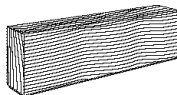
Herramientas necesarias:



Llave de boca
de 1,45 cm
($9/16$ pulg.)

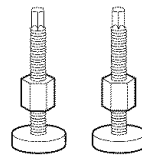


Nivel



Bloque de
madera

Piezas necesarias:



2 patas niveladoras con tuercas

Linterna (opcional;
depende del tipo de
instalación)

La selección de la localización adecuada para su lavarropas mejorará su rendimiento y reducirá inquietudes tales como la “caminata” o ruido producido por el lavarropas.

DEMANDA ELÉCTRICA

Se necesita una alimentación eléctrica de 120 voltios, 60 hertzios, CA solamente, de 15 o 20 amperes y protegida con fusibles. Se recomienda el empleo de un fusible retardador o disyuntor. Conéctelo con un circuito de rama individual.

⚠ ADVERTENCIA



Peligro de descarga eléctrica

Introduzca el enchufe en un tomacorriente con puesta a tierra de tres clavijas.

No quite la clavija de puesta a tierra.

No use un adaptador.

No utilice un cable prolongador.

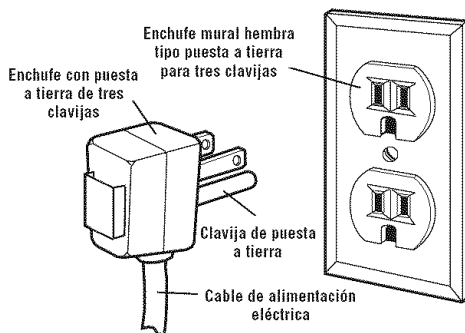
La opción de no seguir estas instrucciones puede causar la muerte, un incendio o choque eléctrico.

INSTRUCCIONES PARA LA PUESTA A TIERRA

ADVERTENCIA: la conexión incorrecta del conductor de puesta a tierra del equipo puede ocasionar un peligro de descarga eléctrica. Confirme con un electricista o reparador calificado si tiene duda alguna en cuanto a la puesta a tierra correcta del electrodoméstico. No modifique el enchufe provisto con el electrodoméstico: si aquí no entra en el tomacorriente, pida a un electricista calificado que le instale un tomacorriente adecuado.

Para su propia seguridad, debe ponerse a tierra este lavarropas. En caso de funcionamiento defectuoso o avería, la puesta a tierra reducirá el riesgo de sufrir una descarga eléctrica al facilitar una vía de menor resistencia para la corriente eléctrica.

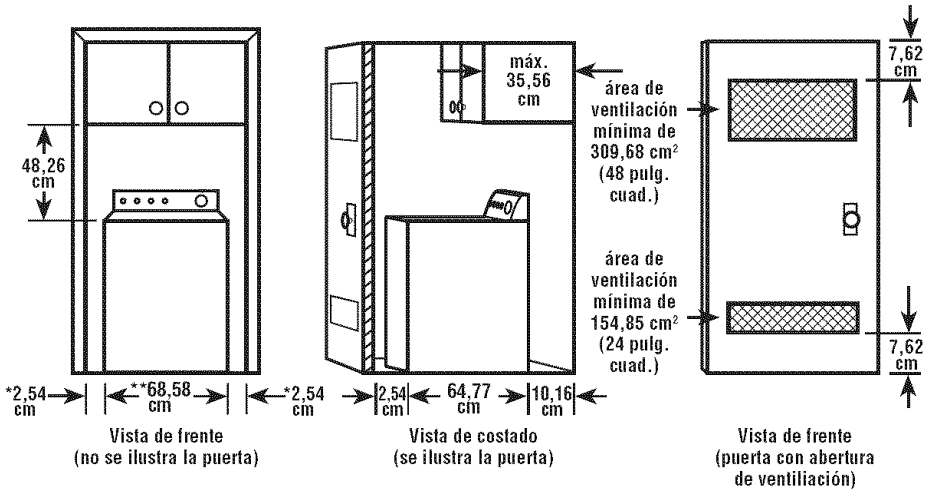
Se ha equipado este lavarropas con un cable de alimentación eléctrica que tiene un enchufe con puesta a tierra de tres clavijas. Para minimizar el probable peligro de descarga eléctrica, debe enchufarse el cable de alimentación eléctrica en un enchufe mural hembra coincidente para tres clavijas, puesto a tierra de conformidad con el reglamento de instalaciones eléctricas nacionales, última edición de ANSI/NFPA 70, así como con todos los códigos y ordenanzas locales.



A. ESCOJA EL LUGAR DONDE DESEA INSTALAR EL LAVARROPAS

INSTRUCCIONES PARA LA INSTALACIÓN EN UN LUGAR EMPOTRADO/GUARDARROPAS

Este lavarropas se puede instalar en un lugar empotrado o en un guardarropas.



*Quizás sea necesario dejar espacios libres adicionales para las molduras de pared, puerta y piso. Para reducir la transferencia de sonidos del lavarropas, se recomienda dejar una distancia de 2,54 cm de cada lado del lavarropas.

**El ancho del lavarropas puede ser de 60,96 cm (24 pulg.) o de 68,58 cm (27 pulg.), dependiendo del modelo seleccionado.

- El espacio de la instalación está expresado en medidas métricas e inglesas, y es el mínimo permitido.
- Deberá considerarse un espacio adicional para facilitar la instalación y las tareas de reparación.
- Si se instala una puerta de armario, son necesarias las aberturas de aire mínimas para arriba y abajo. Son aceptables las puertas con persianas que tengan aberturas de aire equivalentes arriba y abajo.

SISTEMA DE DESAGÜE POR TINA DE LAVADO

Compruebe la localización de la instalación del lavarropas. Este lavarropas puede instalarse con uno de estos sistemas:

- sistema de desagüe por tina de lavado (a continuación)
- sistema de desagüe por tubo vertical (pág. 12)
- sistema de desagüe por desagüe del piso (pág. 12)

No almacene ni ponga en funcionamiento el lavarropas a una temperatura igual o inferior a 0°C (32°F) (es posible que quede un poco de agua en el lavarropas). Consulte la información sobre protección contra los agentes invernales que aparece en la página 30.

La instalación adecuada es responsabilidad del propietario del electrodoméstico, quien deberá asegurarse de tener todo lo necesario para realizar una instalación correcta, que incluirá estos puntos:

Receptor puesto a tierra:

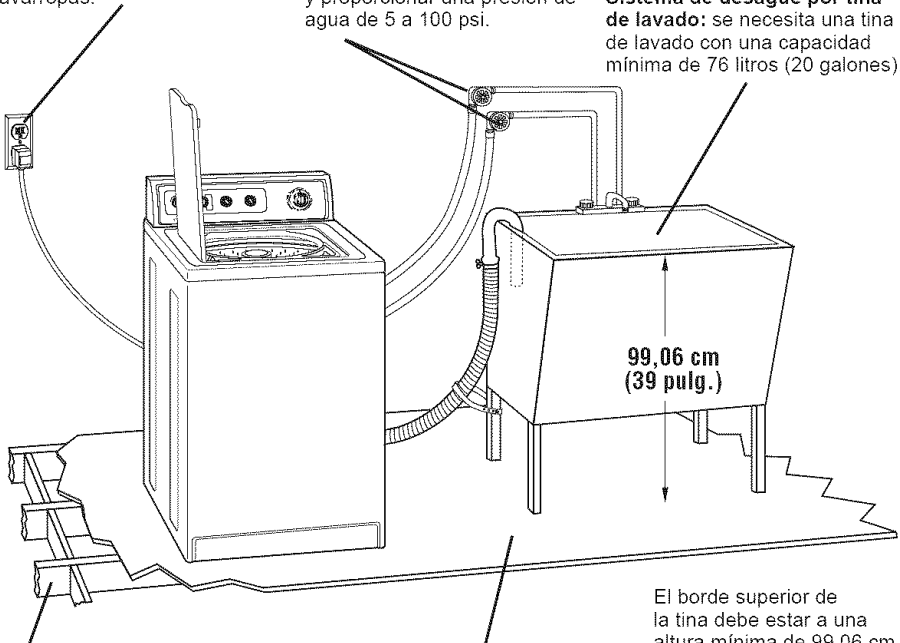
Debe estar a menos de 1,22 m (4 pies) de distancia del lugar en donde el cordón de electricidad está conectado con la parte trasera del lavarropas.

Grifos de agua fría y caliente:

deben encontrarse dentro de los 1,22 m (4 pies) de las válvulas de llenado de agua fría y caliente conectadas a la parte posterior del lavarropas, y proporcionar una presión de agua de 5 a 100 psi.

Caldera: Para obtener los mejores lavados, fije la caldera para suplir agua al lavarropas a 60°C (140°F).

Sistema de desagüe por tina de lavado: se necesita una tina de lavado con una capacidad mínima de 76 litros (20 galones).

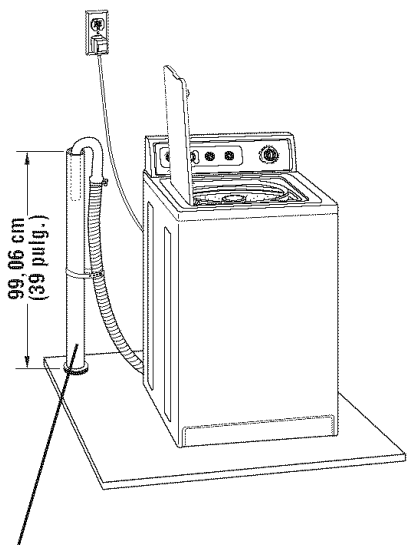


Soporte: El piso debe ser lo suficientemente firme como para soportar un peso total de 141,75 kg (315 libras) (incluyendo el peso del lavarropas, del agua y de la carga de ropa).

Piso a nivel: el declive máximo permitido debajo de todo el lavarropas es de 2,54 cm (1 pulg.).

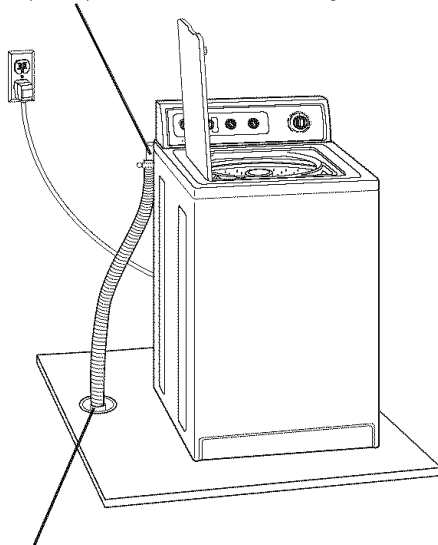
El borde superior de la tina debe estar a una altura mínima de 99,06 cm (39 pulg.) y no debe estar más de 2,44 m (96 pulg.) más alta que el borde inferior del lavarropas.

LOCALIZACIONES ALTERNATIVAS: SISTEMAS DE DESAGÜE POR TUBO VERTICAL Y POR DESAGUADERO DEL PISO



Sistema de desagüe por tubo vertical: se necesita un tubo vertical de un diámetro mínimo de dos pulgadas y con una capacidad mínima de desagüe de 64,6 litros (17 galones) por minuto. El extremo superior del tubo vertical debe tener una altura mínima de 99,06 cm (39 pulg.) y no debe estar más de 2,44 m (96 pulg.) de alto que el borde inferior del lavarropas.

Desviación del sifón: debe comprárselo por separado. Véase el cuadro siguiente.



Sistema de desagüe por desaguadero del piso: se necesita una desviación de sifón. Véase el cuadro siguiente. Se requiere una capacidad mínima de desagüe de 64,6 litros (17 galones) por minuto.

Si tiene:	Necesitará adquirir:
Una tina de lavado o tubo vertical de altura superior a 2,44 m (96 pulg.)	Sistema de bomba de sumidero (si ya no está disponible)
Un tubo vertical de 2,54 cm (1 pulg.) de diámetro	Racor de 5,08 cm (2 pulg.) a 2,54 cm (1 pulg.) de diámetro, repuesto No. 3363920
Una alcantarilla suspendida	Tubo normal de desagüe de 20 galones y 99,06 cm (39 pulg.) de altura, o lavabo utilitario y bomba de sumidero (en venta en establecimientos proveedores de fontanería locales)
Un desagüe por el piso	Desviación del sifón, repuesto No. 285320; manguera de desagüe adicional, repuesto No. 3357090; y juego de conectores, repuesto No. 285442

Las piezas aquí mencionadas están disponibles por medio de su tienda local Sears o por medio del Centro de Servicio Sears. Llame al 1-800-366-PART (1-800-366-7278).

B. QUITA LA BANDA DE SUJECIÓN PARA TRANSPORTE

para su Provecho

Es necesario quitar la banda de sujeción para transporte para facilitar el funcionamiento sin dificultades. Si no se la quita, el lavarropas hará un ruido excesivo.

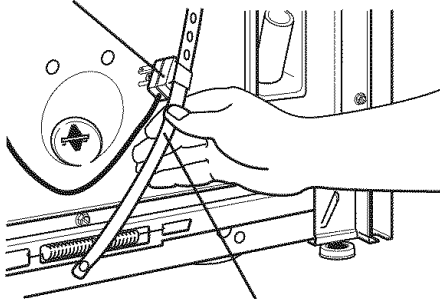
Para prevenir daños al piso, coloque el lavarropas sobre cartón antes de trasladarlo por el piso.

Traslade el lavarropas cerca de su localización definitiva.

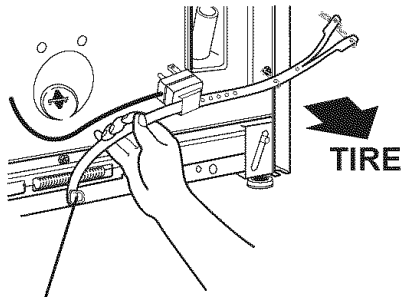
PASO 1. Lea y luego quite la etiqueta colocada sobre el enchufe eléctrico y la banda de sujeción para transporte.

PASO 2. Tire de la banda de sujeción para transporte (de color amarillo) y extráigala totalmente del lavarropas. Debe haber tres pasadores de chaveta en el extremo de la banda de sujeción para transporte cuando ésta se saca del lavarropas. El enchufe eléctrico está unido a la banda.

Enchufe eléctrico

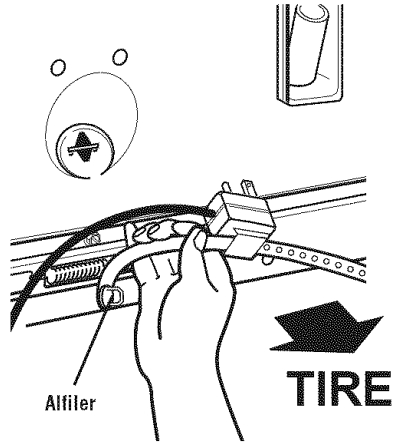


Banda de sujeción para transporte



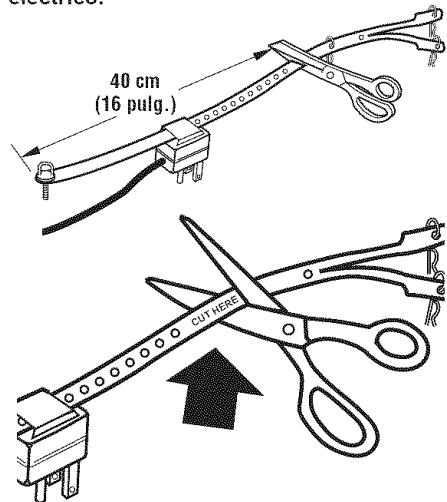
Alfiler

PASO 3. Tire fuertemente para remover el extremo de la banda de sujeción para transporte que permanece conectado a la parte trasera del lavarropas. Esta acción soltará las patas traseras autonivelantes.



INSTALACIÓN

PASO 4. Corte la banda de sujeción a unos 40 cm (16 pulgadas) de distancia del extremo del enchufe. Fíjese en las palabras "CORTE AQUÍ (CUT HERE)". Remueva la banda de sujeción para transporte del enchufe eléctrico.



NOTA: Para uso al asegurar la manguera de desagüe, no descarte el extremo de la banda de sujeción para transporte que no tiene los tres pasadores de chaveta. Descarte el resto.

C. CONECTE LA MANGUERA DE DESAGÜE

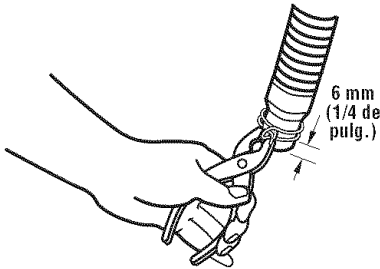
para su Provecho

La conexión correcta de la manguera de desagüe protegerá sus pisos del daño producido por la pérdida de agua.

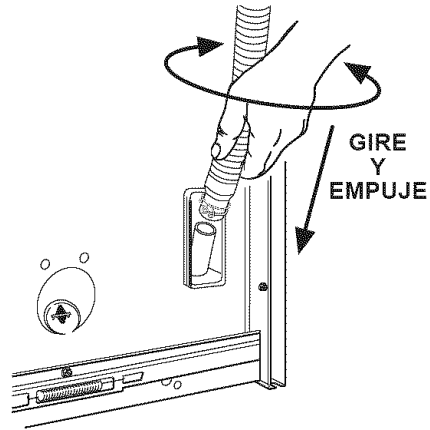
PASO 1. Para evitar que la manguera de desagüe se salga o pierda agua, debe instalársela según estas instrucciones:

IMPORTANTE: debe seguirse este procedimiento para garantizar una instalación correcta.

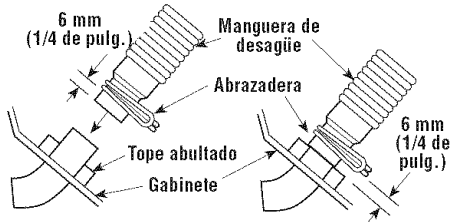
- Moje la parte interior del extremo recto de la manguera de desagüe con agua del grifo. **NO UTILICE NINGÚN OTRO LUBRICANTE.**
- Apriete las orejas de la abrazadera plateada de alambre doble para manguera con pinzas para abrirla. Coloque la abrazadera sobre el extremo recto de la manguera de desagüe a 0,635 de centímetro del extremo.



- Abra la abrazadera. Gire la manguera de un lado a otro y a la vez empuje hacia abajo hacia el conector que se encuentra en la parte inferior del lavarropas. Continúe hasta que la manguera haga contacto con el tope abultado del gabinete.



- Coloque la abrazadera sobre la zona marcada "abrazadera (clamp)." Luego libere la abrazadera.

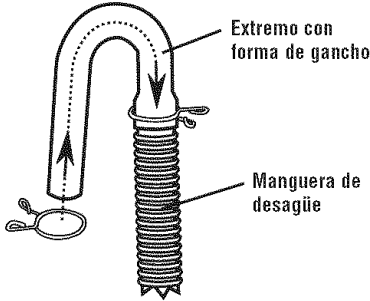


Si Ud. tiene:	Tendrá que comprar:
Una manguera de desagüe que es demasiado corta	Una manguera de desagüe, No. de pieza 388423 y juego de mangueras, No. de pieza 285442
Una manguera de desagüe que es demasiado larga	Juego de mangueras, No. de pieza 285442
El problema de pelusa que tapa el drenaje	Protector de desagüe, No. de pieza 367031

Las piezas aquí mencionadas están disponibles por medio de su tienda local Sears o por medio del Centro de Servicio Sears. Llame al 1-800-366-PART (1-800-366-7278).

Para los sistemas de desagüe por tubo vertical o por tina de lavado:

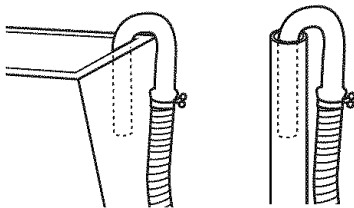
PASO 2. Abra la abrazadera amarilla de un solo alambre con pinzas y deslicela sobre el extremo con forma de gancho de la manguera de desagüe para asegurar que se unan las secciones de hule y arrugadas.



PASO 3. Coloque el extremo con forma de gancho de la manguera de desagüe dentro de la tina para lavar ropa o dentro del tubo vertical de desagüe. Asegúrese de que la manguera de desagüe tenga la longitud necesaria. Rote el gancho para eliminar arrugas.

Para impedir que el agua de desagüe vuelva al lavarropas:

- No estire el extremo con forma de gancho de la manguera de desagüe ni fuerce el exceso de la manguera dentro del tubo vertical de desagüe.
- No tienda el exceso de manguera de desagüe en el fondo de la tina de lavado.



D. CONECTE LAS MANGUERAS DE LLENADO AL LAVARROPAS

para su Provecho

La conexión correcta de las mangueras de llenado permitirá la admisión adecuada al lavarropas del agua fría y caliente y, además, facilitará evitar los daños por agua debido a pérdidas.

⚠ ADVERTENCIA



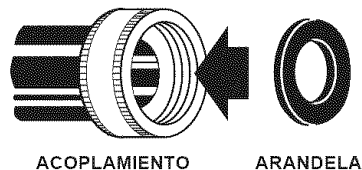
Peligro de resbalón y caída

Use mangueras nuevas de llenado de agua.

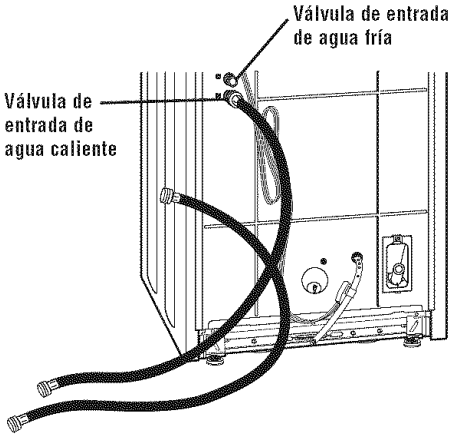
La opción de no seguir estas instrucciones puede provocar lesiones en la cabeza, fracturas en los huesos, o magulladuras.

NOTA: Reemplace las mangueras de entrada de agua después de cinco años de uso para reducir el riesgo de que fallen las mangueras. Inspeccione periódicamente y reemplace las mangueras de entrada de agua si aparecen bultos, arrugas, cortaduras, desgaste o fugas de agua. Al reemplazar las mangueras de entrada de agua marque la fecha de reemplazo en la etiqueta con un marcador permanente.

PASO 1. Introduzca una arandela nueva plana (de la bolsa de piezas) en cada uno de los extremos de las mangueras de entrada de agua. Revise la instalación para asegurarse de que estén asentadas firmemente en los acoplamientos.



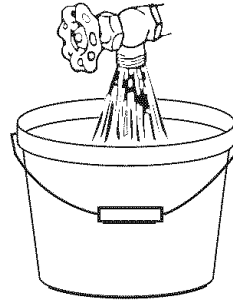
PASO 2. Conecte la manguera con el acoplamiento rojo con la llave de entrada de agua caliente (inferior). Al conectar el acoplamiento rojo primero se hace más fácil apretar la conexión con pinzas. Atornille el acoplamiento con la mano. Gire el acoplamiento un tercio de vuelta adicional con pinzas para apretarlo. **NO LO APRIETE DEMASIADO;** esto puede dañar las válvulas.



PASO 3. Conecte la manguera con el acoplamiento azul con la llave de entrada de agua fría (superior). Atornille el acoplamiento con la mano. Gire el acoplamiento un tercio de vuelta adicional con pinzas para apretarlo. **NO LO APRIETE DEMASIADO;** esto puede dañar las válvulas.

E. CONECTE LAS MANGUERAS DE ENTRADA A LOS GRIFOS DE AGUA

PASO 1. Asegúrese de que la canasta del lavarropas esté vacía. Abra ambos grifos de agua y deje que caiga el agua en una cubeta para permitir que salga cualquier partícula de suciedad que se encuentre en las tuberías y evitar que se tapen las mangueras. Determine cuál de los grifos es el de agua caliente y cuál es el de agua fría. Marque el grifo de agua caliente.



PASO 2. Conecte la manguera con el acoplamiento rojo con la llave de entrada de agua caliente. Atornille el acoplamiento con la mano. Gire el acoplamiento un tercio de vuelta adicional con pinzas para apretarlo. **NO LO APRIETE DEMASIADO;** esto puede dañar las válvulas.

PASO 3. Conecte la manguera con el acoplamiento azul con la llave de entrada de agua fría. Atornille el acoplamiento con el grifo con la mano. Gire el acoplamiento un tercio de vuelta adicional con pinzas para apretarlo. **NO LO APRIETE DEMASIADO;** esto puede dañar las válvulas.

PASO 4. Abra los grifos de agua y compruebe si hay pérdidas. Un poco de agua entrará en el lavarropas. Podrá hacer el desagüe más tarde.

Si Ud. tiene:	Tendrá que comprar:
Llaves de agua que se encuentran más allá del alcance de las mangueras de entrada de agua	2 mangueras de entrada de agua más largas: Mangueras de 1 m 83 cm, No. de pieza 76314 ó mangueras de 3 m 05 cm, No. de pieza 350008

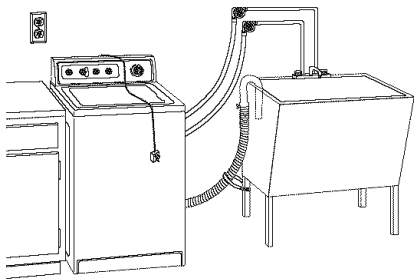
Las piezas aquí mencionadas están disponibles por medio de su tienda local Sears o por medio del Centro de Servicio Sears. Llame al 1-800-366-PART (1-800-366-7278).

F. AJUSTE LA MANGUERA DE DESAGÜE

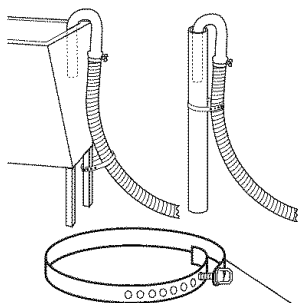
para su Provecho

Asegure la manguera de desagüe adecuadamente para proteger sus pisos contra daños causados por fugas de agua.

PASO 1. Mueva la arandela a su lugar final.

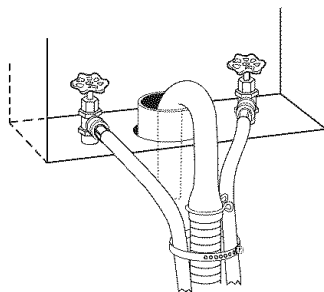


PASO 2. Utilice la banda de sujeción para transporte que Ud. cortó y sacó (sin los tres pasadores de chaveta) y envuélvala de manera ajustada alrededor de la manguera de desagüe y la tina para lavar ropa o el tubo vertical. Empuje el ajustador hacia el agujero más cercano de la banda de sujeción para transporte.



Banda de sujeción

Si los grifos de agua y el tubo vertical de desagüe están retirados, coloque el extremo con forma de gancho de la manguera de desagüe dentro del tubo vertical. Envuelva la banda de sujeción para transporte de manera ajustada alrededor de la manguera de desagüe y las mangueras de entrada de agua (no los agarradores ni las puntas). Empuje el ajustador hacia el agujero más cercano de la banda de sujeción para transporte.



G. NIVELÉ EL LAVARROPAS

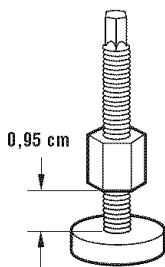
para su Provecho

La nivelación correcta del lavarropas previene la generación de ruido y vibraciones excesivas.

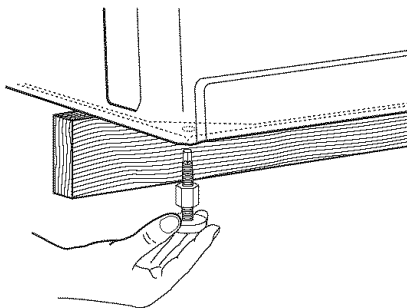
Para instalar las patas delanteros:

PASO 1. Levante la parte frontal del lavarropas hacia arriba (aproximadamente 10,16 cm). Utilice un bloque de madera u otro objeto que pueda soportar el peso del lavarropas. Si el lavarropas se instaló al lado de una pared, aléjelo de la pared antes de levantarlo.

PASO 2. Con una de las patas en la mano, atornille la tuerca en la pata 0,95 de cm desde la parte superior de la base de la pata. Esta es la posición inicial recomendada.



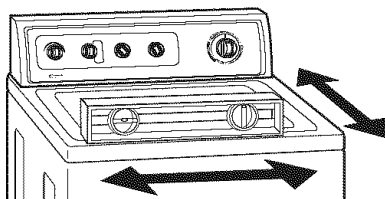
PASO 3. Atornille la pata en la base del lavarropas con la mano hasta que la tuerca llegue a la base del lavarropas. Repita los mismos pasos con la otra pata.



PASO 4. Recline el lavarropas hacia atrás hasta que la parte frontal del mismo ya no esté sobre el bloque de madera. Remueva el bloque de madera. Baje el lavarropas suavemente.

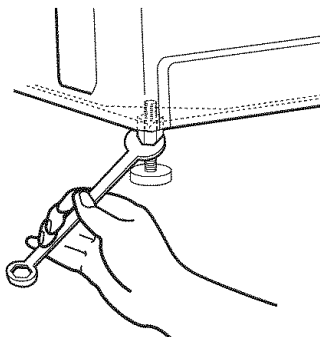
PASO 5. Mueva el lavarropas a su lugar final.

PASO 6. Incline el lavarropas hacia adelante hasta que la parte trasera del lavarropas esté por lo menos 7,62 cm arriba del suelo. Escuchará las patas traseras autoajustantes cuando salgan a su lugar. Baje el lavarropas al suelo. Revise el lavarropas y asegúrese de que esté nivelado colocando un nivel sobre el lavarropas, primero de lado a lado y luego de frente hacia atrás.



PASO 7. Si el lavarropas no está nivelado, levante la parte frontal del lavarropas y ajuste las patas hacia arriba o hacia abajo de acuerdo a lo que sea necesario. Baje el lavarropas y ajuste las patas autoajustantes traseras (tal como en el paso 6). Repita el paso 7 hasta que el lavarropas esté nivelado.

PASO 8. Cuando el lavarropas esté en su lugar final y nivelado, utilice una herramienta abierta de 1,45 cm para girar las tuercas de las patas frontales hasta ajustarlas contra el gabinete del lavarropas. Si las tuercas no están apretadas contra el gabinete del lavarropas, el lavarropas vibrará.



REVISE LA INSTALACIÓN

para su **Provecho**

Tómese unos cuantos minutos para completar esta lista de revisión. Le ayudará a asegurarse de que se ha logrado una instalación adecuada y así aumentar su satisfacción con su lavarropas Kenmore.

- Revise los requisitos de suministro eléctrico. Asegúrese de que cuenta con el suministro eléctrico adecuado y de que está usando el método recomendado de puesta a tierra.
- Revise que:
 - El lavarropas esté nivelado
 - Las tuercas de las patas frontales estén apretadas.
- Asegúrese de que:
 - Tiene todas las herramientas con las que empezó.
 - Ha removido todos los materiales de transporte.
 - Ha removido la banda de sujeción para transporte con los tres pasadores de chaveta.
 - Instaló todas las piezas mencionadas en las páginas 6-8.
- Asegúrese de que los grifos de agua estén abiertos.

PASOS FINALES

- Conecte el cable de suministro eléctrico en el tomacorriente puesto a tierra.
- Remueva la capa protectora azul que está en la consola y cualquier pieza de cinta que haya quedado en el lavarropas.
- Tómese algunos minutos para leer las Instrucciones de funcionamiento (páginas 20-27) para comprender completamente el funcionamiento de su lavarropas nuevo. Luego, active el lavarropas y permita que complete el ciclo normal (NORMAL).

FUNCIONAMIENTO DEL LAVARROPAS

para su Provecho

Para obtener la limpieza y cuidado máximos de los tejidos con su lavarropas, le invitamos a leer y seguir estas instrucciones.

NOTA: Los dibujos de esta sección muestran las funciones básicas de todos los modelos que se cubren en este manual. Consulte la "Hoja de funciones" incluida para aprender acerca de las funciones específicas de su lavarropas.

⚠ ADVERTENCIA



Peligro de explosión

Nunca coloque sobre el lavarropas objetos que estén empapados en gasolina u otros líquidos inflamables.

No existe ningún lavarropas que pueda sacar el aceite completamente.

No seque ningún artículo que contenga cualquier tipo de aceite (incluyendo aceites para cocinar).

La opción de no seguir estas instrucciones puede causar la muerte, una explosión o un incendio.

PUESTA EN MARCHA DEL LAVARROPAS

PASO 1. Agregue una medida de detergente directamente en el recipiente distribuidor. Luego coloque una carga de ropas separadas en el lavarropas.

PASO 2. (PROCEDIMIENTO OPTATIVO) Si se desea, vierta una medida de lejía clorada líquida en el recipiente distribuidor de lejía líquida (si está disponible); (véase la página 25).

PASO 3. (PROCEDIMIENTO OPTATIVO) Si se desea, vierta una medida de suavizador líquido de tejidos en el recipiente distribuidor de suavizador de tejidos (si está disponible); (véase la página 26).

PASO 4. Cierre la tapa del lavarropas.

PASO 5. Fije el control del nivel del agua **(A)** (WATER LEVEL) según el volumen de la carga de ropa para lavar.

PASO 6. Fije el control de la temperatura del agua **(B)** (WATER TEMPERATURE).

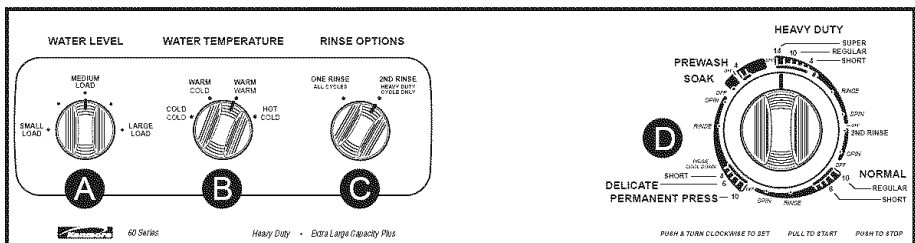
PASO 7. Fije el control de opciones de enjuague (RINSE OPTIONS) (si está disponible). **(C)** (véase la página 23).

PASO 8. Empuje hacia adentro la perilla del control (temporizador) de selección de ciclos **(D)** y gírela hacia la derecha. Fije el ciclo y el tiempo según el tejido presente en la carga de ropa (véase página 22).

PASO 9. Tire de la perilla del control de selección de ciclos (temporizador) hacia afuera. El cuadrante de escala circular rotará paralelamente con el avance del ciclo, pero la perilla no rotará.

CÓMO DETENER Y VOLVER A PONER EN MARCHA EL LAVARROPAS

- Para detener el lavarropas en cualquier momento, empuje hacia adentro la perilla del control (temporizador) de selección de ciclos.
- Tire de la perilla para volver a poner en marcha el lavarropas.



POSICIONAMIENTO DEL CONTROL DE NIVEL DEL AGUA

para su Provecho

Este control otorga al usuario la flexibilidad de ahorrar agua al lavar pequeñas cargas de ropa.

Su lavarropas le permite seleccionar una posición de agua según el volumen de la carga de ropa para lavar.

- Para las cargas de ropa normales, comience con la posición de carga media (MEDIUM LOAD). Ajuste el control para arriba o abajo según la carga de ropa. Las prendas deberán moverse libremente y girar hacia el agitador de aspas.
- Para cambiar a un nivel de agua más alto después de que el lavarropas ha comenzado a funcionar, gire la perilla hacia el nuevo ciclo deseado.

POSICIONAMIENTO DEL CONTROL DE TEMPERATURA DEL AGUA

El lavarropas le permite seleccionar la posición del agua para lavado y enjuague según el tipo de carga de ropa que vaya a lavar.

Algunos lavarropas le permiten seleccionar enjuagues tibios:

- El agua de enjuague tibia proporciona una extracción mejor que el agua de enjuague fría, pero puede aumentar las arrugas al colgar las prendas para secar.
- En climas fríos, el agua de enjuague tibia también brinda una temperatura más cómoda para manejar la carga de ropa para lavar.

SELECCIÓN DE LAS TEMPERATURAS DEL AGUA

Temperatura del agua de lavado	Tejidos sugeridos	Comentarios
CALIENTE De 54,44°C (130°F) o más	<ul style="list-style-type: none">• Ropas de trabajo• Ropas blancas fuertes/de colores pastel no destefiables• Pañales	<ul style="list-style-type: none">• Produce la mejor limpieza para artículos muy sucios o manchados.• Quita aceites, transpiración, manchas grasosas y otras manchas.• Impide que las prendas adquieran un tono grisáceo o amarillento.
TIBIA De 32,22° a 43,33°C (90°-110°F)	<ul style="list-style-type: none">• Colores oscuros/destefiables• Artículos inarrugables• Nailon, poliéster, acrílicos, sedas y géneros de lana• Tejidos de punto/finos	<ul style="list-style-type: none">• Da mejores resultados con prendas moderada o ligeramente sucias o manchadas.• Es segura para muchos aprestos de tejidos.• Produce menos decoloración y desteñido del tejido.• Reduce la formación de arrugas.
FRÍA* De 21,11° a 32,22°C (70°-90°F)	<ul style="list-style-type: none">• Colores sumamente sensibles• Prendas destefiables• Prendas para lavar a mano	<ul style="list-style-type: none">• Da mejores resultados con prendas muy ligeramente sucias o manchadas.• Ahorra agua caliente.

*Al usar agua de lavado con temperaturas más bajas de 21°C (70°F) los detergentes no se disuelven muy bien. Además, será más difícil remover manchas y algunos tipos de tela se arrugan más y atraen pequeñas pelotitas de pelusa en la superficie de la ropa. Esto resulta como consecuencia del desgaste y lavado de la ropa.

POSICIONAMIENTO DEL CONTROL (TEMPORIZADOR) DE SELECCIÓN DE CICLOS

Use este control para escoger el tiempo de agitación y para poner en marcha el lavarropas. Cada ciclo está diseñado de acuerdo al tipo de lavado y centrifugado que son necesarios para la carga de ropa a lavar.

- Use tiempo completo para los tejidos sumamente sucios y prendas fuertes (SUPER O REGULAR si así lo indica).
- Use menos tiempo para los tejidos ligeramente sucios y prendas finas (SHORT si así lo indica).

NOTA: No lave en el lavarropas ropa que contenga instrucciones de lavado a mano. La ropa que contiene instrucciones de lavado a mano tiene:

- Una fibra o construcción que es sensible a la agitación.
- Tintas sensibles que pueden destefirse.

Siga las instrucciones de las etiquetas de la ropa para el secado. La ropa que se puede encoger se debe secar en posición plana. Coloque esta ropa dándole su forma natural y original estirándola suavemente. La ropa de lana tiende a encogerse más la primera vez que se lava.

INARRUGABLES (PERMANENT PRESS)

Puede seleccionar un máximo de 10 minutos de tiempo de lavado.

PRENDAS FINAS (DELICATE)

Use 6 minutos de este ciclo para ropa interior o prendas de punto suelto.

para su Provecho

Los ciclos INARRUGABLES/PRENDAS FINAS (PERMANENT PRESS/DELICATE) incluyen un proceso de enfriado de carga que reducen la formación de arrugas durante otros ciclos.

- Este lavado incluye la agitación de velocidad lenta para remover la suciedad y velocidad de centrifugado lenta para reducir las arrugas.

NOTA: cuando el temporizador llegue a la pausa (PAUSE), el lavarropas se vaciará de agua y pasará por un período no mayor de dos minutos, en tanto que se desagüe parte del agua de lavado y sea reemplazada por agua fresca.

PRENDAS NORMALES (NORMAL)

Use este ciclo para obtener un máximo de 10 minutos de lavado para prendas de algodón e hilo que estén muy sucias.

- El lavado combina la agitación de velocidad rápida y lenta con las velocidades de centrifugado rápido para acortar el tiempo de secado.
- Al seleccionar la velocidad regular (REGULAR) la agitación de velocidad será rápida y luego pasa a una agitación de velocidad más lenta.
- Al seleccionar la posición de velocidad corta (SHORT) la velocidad de agitación será lenta.

SERVICIO PESADO (HEAVY DUTY)

Use este ciclo para obtener un máximo de 14 minutos de lavado para prendas de gran suciedad.

- El lavado combina la agitación a velocidad rápida con las velocidades de centrifugado rápido.

PRELAVADO (PREWASH) (en algunos modelos)

Use este ciclo para obtener un máximo de 4 minutos de agitación para facilitar la eliminación de manchas rebeldes que necesiten tratamiento previo. Al ciclo prelavado (PREWASH) le deberá seguir el ciclo servicio pesado, normal o inarrugables (HEAVY DUTY, NORMAL o PERMANENT PRESS) con detergente adicional.

REMOJO (SOAK) (en algunos modelos)

El ciclo de remojo (SOAK) utiliza 4 minutos de agitación seguidos por un período ilimitado de remojo para ayudar a remover suciedad y manchas rebeldes que necesiten pretratamiento. Necesitará poner el lavarropas a cero en la posición centrifugar (SPIN) para eliminar el agua. Al ciclo de remojo (SOAK) le deberá seguir el ciclo servicio pesado, normal, inarrugables o prelavado (HEAVY DUTY, NORMAL, PERMANENT PRESS o PREWASH) con detergente adicional.

NOTA: No recomendamos el agua caliente para el remojo. Puede fijar algunas manchas.

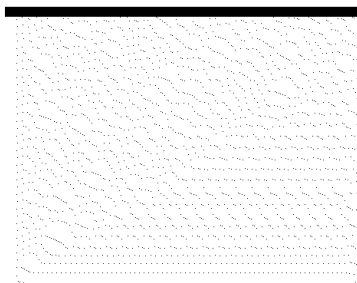
SEGUNDO ENJUAGUE AUTOMÁTICO

para su Provecho

Un segundo enjuague removerá más residuos de detergente. Es especialmente útil si se ha usado detergente adicional para remover manchas rebeldes.

Los lavarropas que tienen controles de opciones de enjuague (RINSE OPTIONS) le permiten añadir un segundo enjuague automáticamente al ciclo de servicio pesado (HEAVY DUTY).

Simplemente deberá fijar el control de opciones de enjuague (RINSE OPTIONS) en el segundo enjuague (2ND RINSE) antes de poner el lavarropas a funcionar. No tendrá que volver a seleccionar un segundo enjuague.



ENJUAGUE Y CENTRIFUGADO MANUALES

Cuando usa detergente adicional para ropas con manchas rebeldes, o lava prendas que requieren cuidado especial, podría necesitar un enjuague y centrifugado adicional.

PASO 1. Posicione el control de nivel del agua (WATER LEVEL).

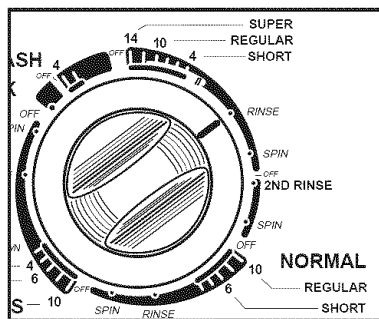
PASO 2. Posicione el control de temperatura del agua (WATER TEMPERATURE).

PASO 3. Posicione el control de las opciones de enjuague (RINSE OPTIONS) (si está disponible) en un enjuague (ONE RINSE).

PASO 4. Fije la perilla del control de selección de ciclos (temporizador) en la posición de enjuague (RINSE):

- Para agitación y centrifugado rápido, use la posición servicio pesado (HEAVY DUTY).
- Para agitación y centrifugado lento, use la posición inarrugables (PERMANENT PRESS).
- Para agitación lenta y centrifugado rápido, use la posición normal (NORMAL).

PASO 5. Tire la perilla del control de selección de ciclos (temporizador) para encender el lavarropas.



CENTRIFUGADO SOLAMENTE

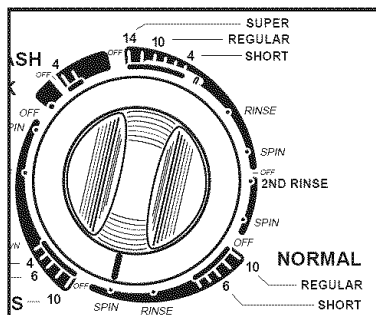
Un desagüe y centrifugado puede ayudar a reducir el tiempo de secado para algunas telas gruesas y prendas de atención especial al remover el exceso de agua.

PASO 1. Posicione el control de opciones de enjuague (RINSE OPTIONS) (si está disponible) en un enjuague (ONE RINSE).

PASO 2. Posicione la perilla del control de selección de ciclos (temporizador) en la posición centrifugado (SPIN):

- Para un centrifugado rápido, use la posición normal (NORMAL).
- Para un centrifugado lento, use la posición inarrugables (PERMANENT PRESS).

PASO 3. Tire la perilla de control de selección de ciclos (temporizador) para encender el lavarropas.

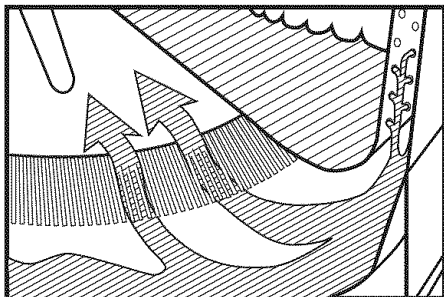


FILTRO DE PELUSA AUTOLIMPIANTE

para su Provecho

Se filtra automáticamente la pelusa de la carga de ropa – no hay que preocuparse de limpiar el lio de pelusa.

El lavarropas tiene un filtro autolimpiante que atrapa la pelusa del agua mientras el lavarropas lava y enjuaga a fondo la ropa. Se limpia automáticamente la pelusa atrapada con una descarga de agua por el desagüero. No tiene que recordar limpiar el filtro.



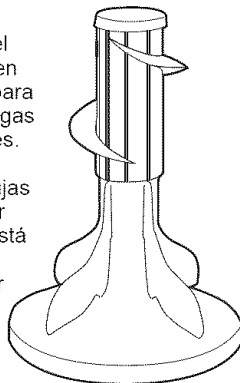
AGITADOR DE DUAL-ACTION™ (DOBLE ACCIÓN)

para su Provecho

El agitador de DUAL-ACTION™ de Kenmore le otorga el cuidado más flexible de la tela incluso para las cargas más pesadas.

La mejor acción de limpieza en el lavarropas ocurre en el fondo donde las aletas del agitador de espas se mueven de acá para allá para que los tejidos se ondulen y se afloje la suciedad.

La parte superior del agitador se mueve en una sola dirección para ayudarle a lavar cargas de ropa más grandes. Esta rotación en dirección de las agujas del reloj del agitador fuerza la ropa que está arriba hacia abajo en donde toma lugar la mayoría de la acción de lavado.

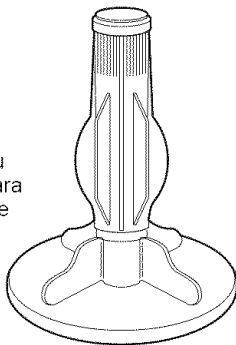


AGITADORES

Su lavarropas Kenmore cuenta con uno de los tres agitadores que se muestran en esta página.

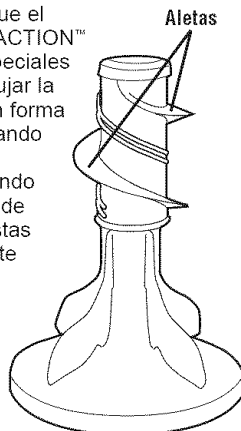
AGITADOR DE PALETA RECTA

Este agitador recto se encuentra en los lavarropas Kenmore de alta capacidad. Su diseño es perfecto para manejar las cargas de ropa comunes.



AGITADOR DE DUAL-ACTION™ CON DOBLE DESPLAZAMIENTO

Este agitador funciona de la misma manera que el agitador de DUAL-ACTION™ y agrega aletas especiales para ayudar a empujar la ropa hacia abajo en forma de espiral, desplazando las ropas que se encuentran en el fondo con un movimiento de desplazamiento. Estas aletas especialmente diseñadas son más eficientes y logran que las ropas se “desplazan” hacia abajo donde se realiza la limpieza.



COMPRESIÓN DE LOS SONIDOS NORMALES DEL LAVARROPAS

El nuevo lavarropas podrá producir sonidos que su viejo lavarropas no hacía. Puesto que los sonidos no le serán familiares, es posible que le preocupen.

A continuación se detallan algunos de los sonidos normales que puede oír, así como sus causas.

Durante el lavado

Cuando selecciona una posición de volumen pequeño de carga para una carga pequeña de lavado, el lavarropas tiene un nivel bajo de agua. Con este nivel bajo de agua, es posible que escuche un sonido de clic proveniente de la parte superior de agitador de aspas.

Durante el desagüe

La velocidad de desagüe del agua del lavarropas dependerá de su instalación. Si el agua se vacía rápidamente del lavarropas, es posible que escuche la succión de aire por la bomba. Esto ocurre durante el final del desagüe.

Luego del desagüe y antes del centrifugado

Cuando cambia el ciclo de desagüe al de centrifugado, es posible que escuche un ruido mientras la caja del engranaje cambia de velocidad.

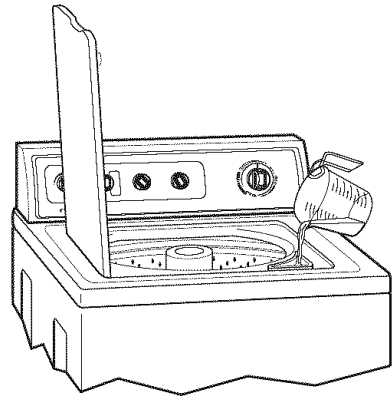
USO DEL RECIPIENTE DISTRIBUIDOR DE LEJÍA CLORADA LÍQUIDA (algunos modelos)

para su Provecho

Diluya la lejía automáticamente para asegurar las cargas más limpias y brillantes.

Siempre mida la lejía clorada líquida.

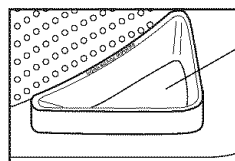
Use una taza medidora, no adivine la medida. No vierta la lejía directamente de la botella. No use nunca más de 1 taza por carga. Use menos cantidad para las cargas de ropa más reducidas. Siga las instrucciones del fabricante para usarlo con seguridad. Una taza con un pico vertidor le ayudará a evitar derrames.



Luego de cargar el lavarropas, vierta la medida de lejía clorada líquida cuidadosamente en el recipiente distribuidor.

- No deje que la lejía salpique, gotee o se corra hasta al interior del tambor del lavarropas. La lejía sin diluir dañará los tejidos con los que entre en contacto.
- Ponga en marcha el lavarropas. La lejía será distribuida automáticamente antes de que entre en contacto con la carga de lavado.

NOTA: No use este recipiente distribuidor para añadir cloro en polvo o lejía cromotolerante. El recipiente distribuidor está diseñado para recibir lejía clorada líquida solamente.

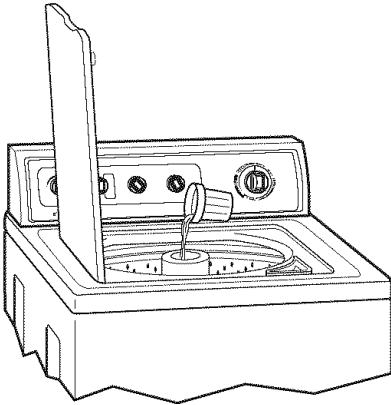


Recipiente distribuidor de lejía clorada líquida

USO DEL RECIPIENTE DISTRIBUIDOR DEL SUAVIZADOR DE TEJIDOS LÍQUIDO (algunos modelos)

Después de cargar el lavarropas, mida y agregue la cantidad recomendada de suavizador de tejidos en el recipiente distribuidor. Siga las instrucciones del fabricante.

NOTA: No vierta demasiado suavizador de tejidos en el recipiente distribuidor, ya que esto causará que el suavizador de tejidos se distribuya instantáneamente en la carga de lavado debido a la acción de sacado por sifón. Esta distribución instantánea de suavizador de tejidos podría dañar las telas y dar la impresión de que el recipiente distribuidor no está funcionando correctamente.



- Vierta agua tibia para llenar el recipiente distribuidor hasta que alcance la abertura cruzada en el fondo de la parte con forma de embudo del recipiente distribuidor.
- El suavizador de tejidos se distribuye en el primer enjuague con agua automáticamente.

NOTA: Los suavizadores de tejidos no son compatibles con los detergentes. Este recipiente distribuidor no deberá ser usado nunca en el ciclo prelavado (PREWASH) debido que distribuiría el suavizador de tejidos en una carga que no ha sido enjuagada. El suavizador de tejidos sin diluir derramado sobre telas puede resultar un manchas que se parecen a manchas de aceite.

Si alguna vez usa su recipiente distribuidor de esta manera por error, vuelva a lavar la carga con detergente adicional para remover estos depósitos.

Para sacar el recipiente distribuidor de suavizador de tejidos para la limpieza

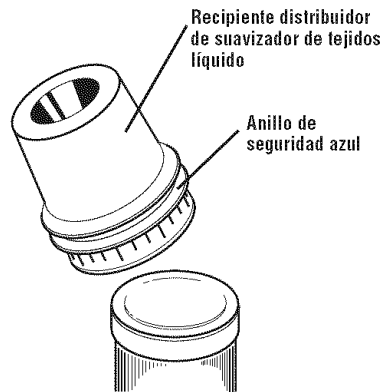
PASO 1. Tire el anillo de seguridad azul hacia arriba y luego saque el recipiente distribuidor del agitador tirando hacia arriba.

PASO 2. Enjuague el recipiente distribuidor con agua tibia.

Para cambiar el recipiente distribuidor de suavizador de tejidos

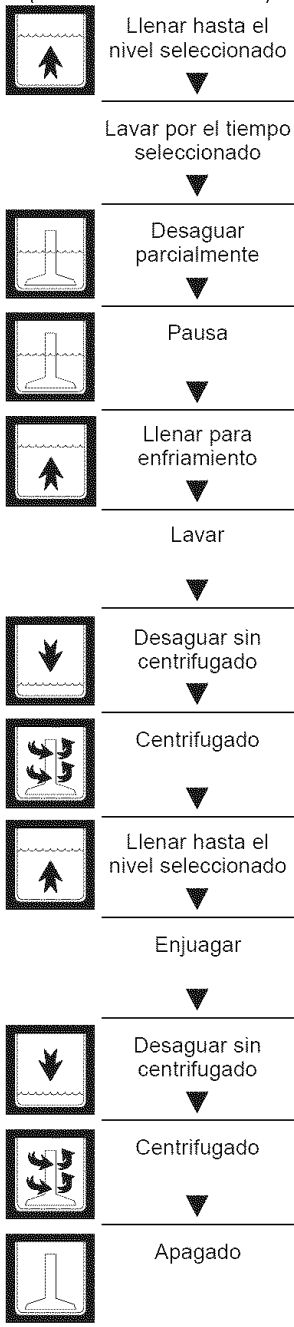
PASO 1. Asegúrese de que el anillo de seguridad azul ha sido tirado hacia arriba. Empuje el fondo del recipiente distribuidor hacia abajo sobre el agitador (es más fácil si comienza desde un ángulo).

PASO 2. Cuando el recipiente distribuidor esté asentado sobre el agitador, empuje el anillo de seguridad azul hacia abajo, hasta que se trabaje en su lugar. Debe entrar apretadamente.

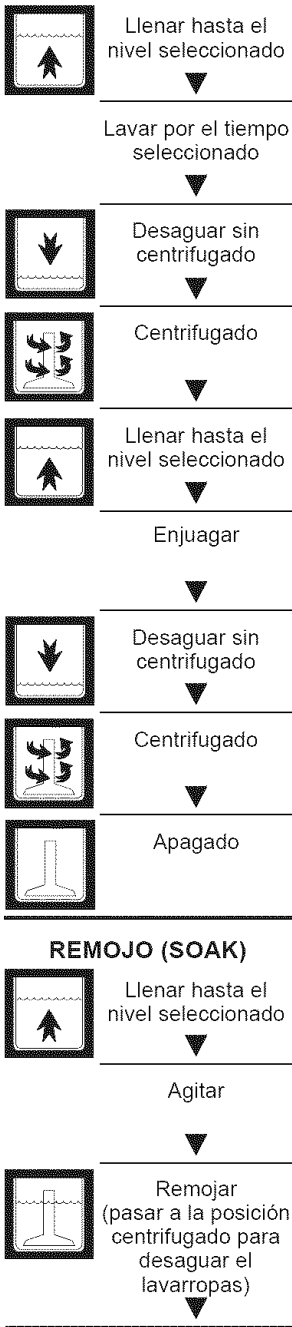


COMPRENDA LO QUE SUCEDE EN CADA CICLO

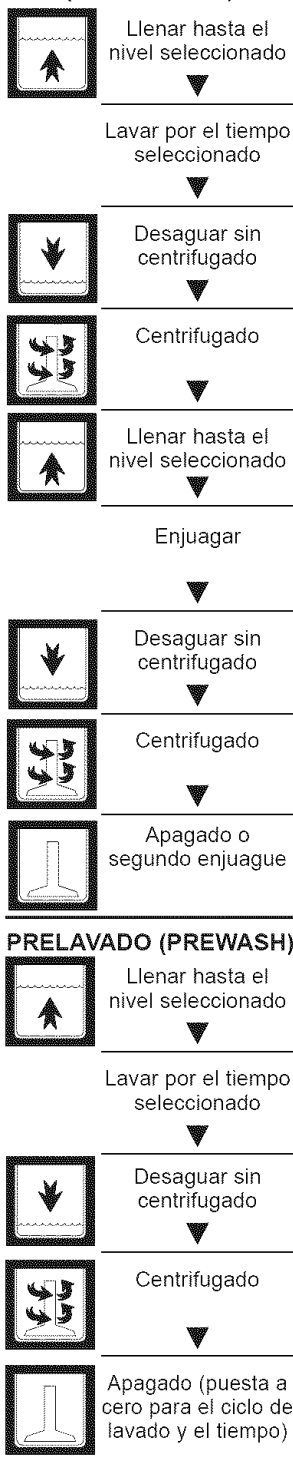
INARRUGABLES/PRENDAS FINAS (PERM. PRESS/DELICATE)



NORMAL (NORMAL)



SERVICIO PESADO (HEAVY DUTY)



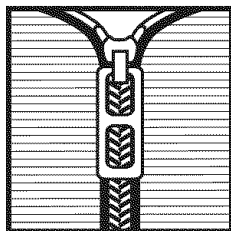
FUNCIONAMIENTO

PREPARACIÓN DE LA ROPA PARA LAVAR

para su **Provecho**

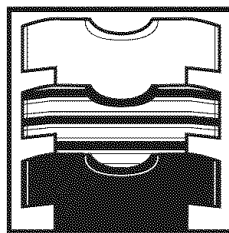
En esta sección se proporciona información de lavandería para que el electrodoméstico le dé el mejor rendimiento en cuidado de los tejidos.

- Cierre las cremalleras, los cierres y ganchos para evitar enganchar otras prendas. Quite alfileres, hebillas y demás objetos duros para evitar rayar el interior del lavarropas. Quite todo adorno u ornamento que no sea lavable.
- Vacíe los bolsillos y vuélvalos al revés.
- Doble las vueltas de los pantalones y limpie con un cepillo la pelusa y la suciedad.
- Vuelva al revés las prendas de punto sintéticas para evitar el empelusamiento.
- Ate los cordones y fajas, de modo que no se enreden.
- Remiende los rasgones, y suelte los dobladillos y costuras.
- Trate las manchas y suciedades.
- Las prendas manchadas o mojadas deberán lavarse con prontitud para obtener los mejores resultados.



SEPARACIÓN

- Separe los artículos muy sucios o manchados de los que lo estén ligeramente, incluso si se los lavara juntos normalmente. Separe las prendas que suelten pelusa (toallas, felpillas) de las prendas a las que se adhiere la pelusa (pana, prendas sintéticas, e inarrugables). Siempre que sea posible, vuelva al revés las prendas que sueltan pelusa.
- Separe los colores oscuros de los claros, y los artículos no destefiables de los que sí lo son.
- Separe por tejido y construcción: prendas fuertes de algodón, prendas de punto y finas.

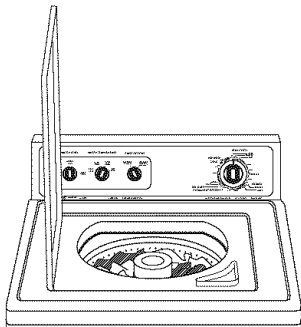


CARGA

para su Provecho

La carga adecuada del lavarropas contribuye a la limpieza correcta y al cuidado de los tejidos, y reduce el ruido producido por el electrodoméstico.

- Deje caer las prendas en el lavarropas de modo que queden sueltas. Llene el lavarropas hasta el borde del tambor (borde superior de orificios). No envuelva el agitador de espas con las prendas. Éstas deberán circular con facilidad por el agua de lavado para lograr una mejor acción de limpieza y mejores resultados en impedir la formación de arrugas. Las prendas deberán hundirse y volver a aparecer luego.
- Cargue el lavarropas correctamente y seleccione la posición de nivel de agua correcta. Sobrecargar la máquina y meter artículos apretadamente en la misma, así como seleccionar una posición demasiado pequeña para la carga de lavado puede producir estos resultados:
 - ocasionar una limpieza deficiente.
 - aumentar la formación de arrugas.
 - crear pelusa en demasía.
 - desgastar las prendas más rápidamente (debido al empujamiento).
- Cargue el lavarropas según el volumen de espacio que las prendas ocupen, y no por su peso.
- Mezcle los artículos grandes y pequeños en cada carga. Prepare una carga pareja para mantener el equilibrio del lavarropas. El lavarropas puede vibrar durante el centrifugado por una carga desequilibrada.
- Use una posición mayor de nivel de agua para reducir la formación de arrugas en el caso de prendas inarrugables y de algunas prendas de punto sintéticas. Estos artículos deberán contar con mayor espacio para circular en el agua que las prendas pesadas (toallas, bluejeans).
- Reduzca el tiempo de lavado mediante el uso de una posición inferior de nivel de agua. Las cargas que tengan unos cuantos artículos pequeños necesitan menos tiempo de lavado.



SUGERENCIAS PARA PREPARAR LA CARGA

Para estas cargas de volumen completo sugeridas, programe el selector de nivel de agua (WATER LEVEL) en la mayor posición de nivel de agua.

LAVARROPAS DE CAPACIDAD SUPERIOR "PLUS"		
Ropas de trabajo pesado	Toallas	Carga mixta
4 bluejeans	10 toallas de baño	3 sábanas (1 de cama doble, 2 de camas gemelas)
4 pantalones de trabajo	10 toallas de mano	4 fundas de almohada
4 camisas de trabajo	14 paños para lavarse	3 camisas
2 sudaderas		3 blusas
2 pantalones de gimnasia		9 camisetitas
		9 pantalones cortos
		10 pañuelos

LAVARROPAS DE CAPACIDAD SUPERIOR		
Ropas de trabajo pesado	Toallas	Carga mixta
4 bluejeans	9 toallas de baño	3 sábanas (1 de cama doble, 2 de camas gemelas)
4 pantalones de trabajo	9 toallas de mano	4 fundas de almohada
2 camisas de trabajo	10 paños para lavarse	2 camisas
1 sudadera		2 blusas
1 pantalón de gimnasia		8 camisetitas
		6 pantalones cortos
		8 pañuelos

LAVARROPAS DE GRAN CAPACIDAD "PLUS"		
Ropas de trabajo pesado	Toallas	Carga mixta
3 bluejeans	7 toallas de baño	2 sábanas (1 de cama doble, 1 de cama gemela)
3 pantalones de trabajo	8 toallas de mano	2 fundas de almohada
2 camisas de trabajo	9 paños para lavarse	2 camisas
1 sudadera		2 blusas
1 pantalón de gimnasia		6 camisetitas
		5 pantalones cortos
		6 pañuelos

LAVARROPAS DE GRAN CAPACIDAD		
Ropas de trabajo pesado	Toallas	Carga mixta
2 bluejeans	6 toallas de baño	2 sábanas (1 de cama doble, 1 de cama gemela)
2 pantalones de trabajo	6 toallas de mano	2 fundas de almohada
2 camisas de trabajo	8 paños para lavarse	1 camisa
1 sudadera		1 blusa
1 pantalón de gimnasia		4 camisetitas
		5 pantalones cortos
		6 pañuelos

SUGERENCIAS DE LAVANDERÍA

LIMPIEZA DEL LAVARROPAS

El cuidado adecuado del lavarropas puede prolongar su vida útil. En esta sección explicaremos cómo cuidar el lavarropas correcta y seguramente.

Exterior

Limpie todo resto de detergente, lejía u otros derrames con un paño o esponja suave y húmeda apenas aquellos ocurran. De vez en cuando, limpie el exterior del lavarropas para mantener su aspecto nuevo.

No coloque objetos puntiagudos o metálicos en el interior del lavarropas, pues pueden dañar el acabado. Examine el contenido de todos los bolsillos para detectar la presencia de alfileres, clips, dinero, pernos, tuercas, etc. No deje estos objetos sobre el lavarropas luego de vaciar los bolsillos.

Interior

Limpie el interior con una taza de lejía clorada mezclada con 2 tazas de detergente. Ponga el lavarropas en funcionamiento por un ciclo completo con agua caliente. Repita el proceso si es necesario.

NOTA: quite los depósitos de agua calcárea solamente con limpiadores en cuyo rótulo se indique que no presentan riesgo de daño alguno al lavarropas.

MANGUERAS DE ENTRADA DE AGUA

Reemplace las mangueras de entrada de agua después de cinco años de uso para reducir el riesgo de que fallen las mangueras. Inspeccione periódicamente y reemplace las mangueras de entrada de agua si aparecen bultos, arrugas, cortaduras, desgaste o fugas de agua. Al reemplazar las mangueras de entrada de agua marque la fecha de reemplazo en la etiqueta con un marcador permanente.

ALMACENAJE INVERNAL O CUIDADO DURANTE LA MUDANZA

Instale y almacene el lavarropas donde no sufrirá temperaturas de congelación. Debido a que es posible que quede algo de agua en las mangueras, la congelación puede dañar el lavarropas. Si almacena o traslada el lavarropas durante tiempo invernal riguroso, protéjalo contra los agentes invernales.

Para proteger el lavarropas contra los agentes invernales:

1. Cierre ambos grifos de agua.
2. Desconecte y desagüe las mangueras de llenado de agua.
3. Vierta un cuarto de anticongelante tipo R.V. en el tambor.
4. Ponga el lavarropas en funcionamiento en posición de centrifugado (SPIN) por unos 30 segundos para mezclar el anticongelante con el agua. Parte de la mezcla saldrá bombeada para afuera mientras el lavarropas opera el centrifugado.
5. Desenchufe el cable de alimentación.

Para usar nuevamente el lavarropas:

1. Haga correr agua por los tubos y mangueras.
2. Vuelva a conectar las mangueras de llenado de agua.
3. Abra ambos grifos de agua.
4. Vuelva a conectar el cable de alimentación.
5. Ponga el lavarropas en funcionamiento por un ciclo completo con una taza de detergente para limpiar los restos de anticongelante.

FALTA DE USO O CUIDADO DURANTE LAS VACACIONES

Ponga el lavarropas en funcionamiento solamente cuando esté en casa. Si va a salir de vacaciones o no va a usar el lavarropas por un largo período, deberá hacer lo siguiente:

- Desconecte el cable de alimentación o interrumpa el suministro de energía al lavarropas.
- Interrumpa el suministro de agua al lavarropas. Esta acción ayuda a evitar la inundación accidental (debido a una irrupción de la presión del agua) en ausencia suya.

LOCALIZACIÓN Y REPARACIÓN DE AVERÍAS

La mayor parte de los problemas con el lavado de ropa se solucionan fácilmente si se entiende la causa. Repase estas listas para identificar los problemas comunes con el

lavado de ropa y el funcionamiento del lavarropas. Si se necesita ayuda adicional, consulte la página 36.

Problema	Causa probable	Solución
El lavarropas pierde agua	La instalación sanitaria de la casa tiene pérdidas de agua.	Repare la instalación sanitaria.
	Las mangueras de llenado no están ajustadas.	Ajuste las mangueras (consulte las secciones D y E de "INSTALACIÓN").
	Las arandelas de la manguera de llenado no están debidamente	Vuelva a asentar las arandelas (consulte las sección D de "INSTALACIÓN").
	La manguera de desagüe no está correctamente sujeta con la abrazadera o se ha salido.	Afiance la manguera de desagüe. (consulte las sección C de "INSTALACIÓN").
	El desaguadero está atascado.	Quite los objetos que obstruyen el desaguadero. El lavabo y el tubo vertical deben poder recibir 64,6 litros (17 galones) de agua por minuto.
	La tina se movió para adelante durante la descarga, y por esa causa el agua se corre fuera del aro de la tina.	Cerciórese de que la tina esté centrada antes de poner el lavarropas en marcha.
	La unidad no está nivelada, y por esa causa el agua se corre fuera del aro de la tina.	Cerciórese de que los pies delanteros estén instalados y se hayan ajustado las tuercas. Nivele el lavarropas. Reajuste las patas traseras (consulte las sección G de "INSTALACIÓN").
	La carga está desequilibrada. Los enjuagues por rocío se desvían de la carga.	Redistribuya la carga.
	El lavarropas está sobrecargado. Los rellenos o enjuagues por rocío se desvían de la carga.	Reduzca el volumen de la carga.
El lavarropas no vacía el agua/ no centrifuga/ da cargas mojadas	La manguera de desagüe está retorcida o atascada.	Enderece o desatasque la manguera (consulte las sección C de "INSTALACIÓN").
	Funcionamiento correcto del desagüe neutro.	Luego de un lavado o enjuague, el lavarropas vaciará el agua sin centrifugar. Luego del desagüe, comienza el centrifugado.
	La tapa está abierta.	Cierre la tapa.
	El extremo de la manguera de desagüe está a más de 2,44 m (96 pulg.) por encima del piso.	Baje la manguera de desagüe (consulte las sección C de "INSTALACIÓN").
	Demasiado detergente: la espuma del detergente se inmoviliza.	Use menos detergente.
Ciclo equivocado para la carga de ropa que se está lavando.	Escoja un ciclo que tenga una mayor velocidad de centrifugado (consulte "FUNCIONAMIENTO").	

Problema	Causa probable	Solución
El lavarropas no vacía el agua/ no centrifuga/ da cargas mojadas (cont.)	Baja tensión, o empleo de cables de prolongación.	Repare la instalación eléctrica y no use cable prolongador.
	Enjuagues fríos.	Los enjuagues fríos dejan las cargas más mojadas que los enjuagues tibios. Esto es normal.
Sigue llenándose de agua/sigue vaciando agua/ciclo inmovilizado	La manguera de desagüe se encuentra a menos de 99,06 cm (39 pulg.) encima del piso.	Eleve la posición de la manguera de desagüe (consulte las sección C de "INSTALACIÓN").
	La manguera de desagüe se introduce ajustadamente en el tubo vertical.	Ajuste la manguera de desagüe para que tenga un ajuste más holgado (consulte las sección C de "INSTALACIÓN").
	La manguera de desagüe ajusta unida con cinta en el tubo vertical.	No selle la manguera de desagüe con cinta. La manguera de desagüe necesita una brecha para que el air fluya.
El lavarropas hace ruidos	La carga de ropa está desequilibrada.	Redistribuya la carga.
	El lavarropas no está nivelado. Los pies nivelantes posteriores no están colocados.	Nivele el lavarropas. Reposicione los pies posteriores (consulte las sección G de "INSTALACIÓN").
	Las tuercas de los pies delanteros no están ajustadas.	Ajuste las tuercas (consulte las sección G de "INSTALACIÓN").
	La banda amarilla de sujeción para transporte con los pasadores de aletas no se quitó totalmente.	Quite la banda de sujeción para transporte con los pasadores de aletas (consulte las sección B de "INSTALACIÓN").
	El piso no es lo suficientemente resistente para aguantar el peso del lavarropas.	Reubique el lavarropas (consulte la sección A de "INSTALACIÓN").
	Los engranajes embragan luego del desagüe y antes del centrifugado.	Esto es normal.
	La parte superior del agitador de aspas hace clics durante el lavado.	Esto es normal.
El lavarropas no se llena de agua/ no enjuaga/ no agita/ temperatura equivocada	Los filtros de la válvula de admisión de agua están obturados.	Limpie los filtros.
	Se ha interrumpido la corriente del agua.	Abra el paso del agua.
	Las mangueras de agua caliente y fría están invertidas.	Invierta las mangueras. (consulte las secciones D y E de "INSTALACIÓN").
	La manguera de llenado está retorcida.	Enderece las mangueras.
	El cuadrante de escala circular del temporizador no está alineado.	Gire ligeramente la perilla del temporizador hacia la derecha y tire de ella para poner en marcha el lavarropas.
	El cable de alimentación no está enchufado.	Enchufe el cable.

Problema	Causa probable	Solución
La máquina se detiene	El cable de alimentación no está enchufado.	Enchufe el cable.
	No pasa electricidad por el cable de alimentación.	Revise el suministro eléctrico o llame a un electricista.
	Fusible quemado o disyuntor abierto.	Reemplace el fusible o el cortacircuitos. Si el problema continúa, llame a un electricista.
	Uso de un cable prolongador.	No use cables de prolongación.
	El temporizador no está alineado.	Gire ligeramente la perilla del temporizador hacia la derecha y tire de ella para poner en marcha el lavarropas.
	La perilla del temporizador no ha salido hacia afuera.	Empuje la perilla hacia adentro y vuélvala a tirar hacia afuera.
	El lavarropas está en pausa en el ciclo de inarrugables (PERMANENT PRESS) (aproximadamente 2 minutos).	Deje que el ciclo prosiga. (consulte "FUNCIONAMIENTO").
La máquina está sobrecargada.	Lave cargas más pequeñas.	
El agitador de aspas no funciona	La parte superior del agitador de aspas se mueve solamente en un sentido.	Esto es normal.
	La parte superior del agitador de aspas está floja.	Esto es normal.
El nivel del agua es demasiado bajo/el lavarropas no se llena completamente	La parte superior del agitador de aspas está mucho más alta que el nivel de agua más elevado. Ello crea la percepción de que el lavarropas no está lleno.	Esto es normal.
La tina está torcida	La tina se movió hacia adelante durante la descarga.	Cerciórese de centrar la tina antes de poner en marcha el lavarropas.
	La tina se mueve.	Esto es normal.
	La unidad no está nivelada.	Asegúrese de que los pies delanteros estén instalados y de que las tuercas estén ajustadas. Nivele el lavarropas. Reposicione los pies posteriores (consulte las sección G de "INSTALACIÓN").
Pelusa en la carga	Separación incorrecta de las prendas.	Separe las prendas que sueltan pelusa de las prendas a las que se adhiere la pelusa, y por color.
	Sobrecarga.	La pelusa puede quedarse atrapada en la carga si el lavarropas está sobrecargado. Lave cargas más pequeñas.
	Papel o pañuelo de papel en los bolsillos.	Vacíe los bolsillos antes del lavado.
	No hay suficiente detergente.	Use suficiente detergente para retener la pelusa en el agua.
	El detergente no se disuelve.	Use agua de lavado de más de 38°C (70°F).

Problema	Causa probable	Solución
Desgarrones	Sobrecarga. Uso incorrecto del lavarropas.	Las cargas deberán circular libremente durante el lavado. Lave cargas más pequeñas.
	Uso incorrecto de la lejía clorada. El cloro no diluido dañará la tela de su ropa.	No vierta la lejía clorada directamente en la carga. Limpie los derrames de lejía.
	No se han quitado los elementos puntiagudos de los bolsillos; los cierres no están cerrados.	Vacíe los bolsillos antes del lavado. Cierre las cremalleras antes del lavado.
	Artículos dañados antes del lavado.	Remiende los rasgones y las hebras cortadas en las costuras enjuague a lavado.
Manchas en la carga	Uso incorrecto del suavizador de tejidos en el lavarropas o secarropas.	Diluya el suavizador de tejidos y añádale solamente al enjuague a fondo.
	Hierro (óxido ferroso) en el agua.	Instale un filtro de óxido ferroso.
	Uso insuficiente del detergente que causa el redepósito de la suciedad.	Use suficiente detergente para quitar la suciedad y mantenerla en suspensión.
	Transferencia del teñido por no haber separado correctamente las cargas.	Separe las prendas de color oscuro de las de color blanco y claro.
	Transferencia del teñido por no haber descargado inmediatamente el lavarropas.	Descargue el lavarropas tan pronto como se detenga.
La carga sale arrugada	No se sacó inmediatamente.	Descargue el lavarropas tan pronto la carga.
	Ciclo incorrecto para los tejidos que se están lavando.	Use enjuagues fríos y ciclos con centrifugados a velocidad baja para reducir la formación de arrugas.
	Sobrecarga.	Las cargas deberán circular libremente durante el lavado. Lave cargas más pequeñas.
	El agua de lavado no se calienta lo suficiente para relajar las arrugas. Se está usando enjuagues tibios.	Si no se dañará la tela, utilice agua tibia o caliente. Use agua fría para el enjuague.
	Las mangueras están instaladas equivocadamente.	Invierta la posición de las mangueras (consulte las secciones D y E de "INSTALACIÓN").
La carga sale enredada/ enroscada	Sobrecarga.	Las cargas deberán circular libremente durante el lavado. Lave cargas más pequeñas.
	Las ropas quedan envueltas alrededor del agitador de aspas.	No envuelva la ropa alrededor del agitador al introducir la carga de ropa al lavarropas.
Recipientes distribuidores atascados/ pérdida de lejía/ aparece lejía en las cargas equivocadas	El suavizador no se diluye.	Diluya el suavizador de tejidos en el recipiente distribuidor.
	Uso de lejía cromotolerante en el recipiente distribuidor de la lejía clorada.	Vierta lejía cromotolerante directamente en el tambor o recipiente distribuidor de detergente. No use el recipiente distribuidor de la lejía clorada.
	Uso incorrecto de la lejía clorada.	Siempre mida la lejía antes de verterla al recipiente distribuidor. Viértala con cuidado al mismo. Limpie los derrames de lejía.

LAVARROPAS KENMORE

Reparamos lo que vendemos

La frase "Reparamos lo que vendemos" es nuestra garantía de que usted puede confiar en Sears para obtener servicio de reparación. Su lavarropas tiene valor agregado cuando usted considera que Sears tiene unidades de servicio técnico en todo el país, con un plantel de técnicos profesionales específicamente capacitados en electrodomésticos Sears y en la posesión de piezas de repuesto, herramientas y equipos para asegurarse de que cumplimos nuestra promesa: "Reparamos lo que vendemos."

Acuerdo de mantenimiento Sears

Mantenga el valor de su lavarropas Kenmore con un Acuerdo de mantenimiento Sears. Los lavarropas Kenmore se han diseñado, fabricado y probado para brindar años de funcionamiento fiable. Aún así, cualquier electrodoméstico moderno podrá necesitar servicio técnico de vez en cuando.

El Acuerdo de mantenimiento Sears

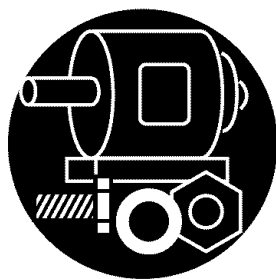
- Es la manera de adquirir el servicio técnico del mañana a precios de hoy.
- Elimina las facturas de reparación producidas por el uso normal.
- Permite tantas visitas de servicio como sean necesarias.
- Facilita el servicio de reparación por parte de técnicos profesionales capacitados por Sears.
- Aún si usted no necesita reparación alguna, el Acuerdo de mantenimiento ofrece un examen de comprobación preventivo anual ¡a pedido!

**Para obtener más información,
llame al 1-800-827-6655.**

Para la reparación o entrega directa a domicilio de piezas de repuesto

Llámenos de 7 am a 7 pm, los siete días de la semana

1-800-659-7084



Para el servicio de reparación de marcas reconocidas a domicilio

Llámenos las 24 horas del día, los siete días de la semana

1-800-676-5811



Para la localización de un Centro de Piezas de repuesto y Reparación Sears en su vecindario

Llámenos las 24 horas del día, los siete días de la semana

1-800-488-1222



Para obtener información sobre la adquisición de un Acuerdo de mantenimiento Sears o para preguntar sobre un Acuerdo vigente

Llámenos de 9 am a 5 pm, de lunes a sábado

1-800-827-6655



Cuando solicite servicio o piezas, siempre comunique la siguiente información:

- Nombre del producto
- Nombre de la pieza
- Número de modelo
- Número de la pieza



Free Manuals Download Website

<http://myh66.com>

<http://usermanuals.us>

<http://www.somanuals.com>

<http://www.4manuals.cc>

<http://www.manual-lib.com>

<http://www.404manual.com>

<http://www.luxmanual.com>

<http://aubethermostatmanual.com>

Golf course search by state

<http://golfingnear.com>

Email search by domain

<http://emailbydomain.com>

Auto manuals search

<http://auto.somanuals.com>

TV manuals search

<http://tv.somanuals.com>