

Use & Care Guide
Manual de Uso y Cuidado
English / Español

Models/Modelos: 148.16656011



Kenmore®



Liquid Propane Gas Grill

Parilla a gas de propane liquido

P/N L3018S-1-Manual
Sears Brands Management Corporation
Hoffman Estates, IL 60179 U.S.A.
www.kenmore.com
www.sears.com



	DANGER	
<p>If you smell gas:</p> <ol style="list-style-type: none"> 1. Shut off gas to the appliance. 2. Extinguish any open flame. 3. Open lid. 4. If odor continues, keep away from the appliance and immediately call your gas supplier or your fire department. 		

	WARNING	
<ol style="list-style-type: none"> 1. Do not store or use gasoline or other flammable liquids or vapors in the vicinity of this or any other appliance. 2. An LP cylinder not connected for use shall not be stored in the vicinity of this or any other appliance. 		

Call Grill Service Center For Help And Parts

If you have questions or need assistance during assembly, please call **1-800-482-0131**. You will be speaking to a representative of the grill manufacturer and not a Sears employee. To order new parts call Sears at **1-800-4-MY-HOME**.

Product Record

IMPORTANT: Fill out the product record information below.

<p>Model Number _____</p> <p>Serial Number _____ See rating label on grill for serial number.</p> <p>Date Purchased _____</p>



	CAUTION	
<p>For residential use only. Do not use for commercial cooking.</p>		



Installation Safety Precautions

- Use grill, as purchased, only with LP (propane) gas and the regulator/valve assembly supplied. A conversion kit must be purchased for use with natural gas.
- Grill installation must conform with local codes, or in their absence of local codes, with either the *National Fuel Gas Code, ANSI Z223.1/NFPA 54, Natural Gas and Propane Installation Code, CSA B149.1, or Propane Storage and Handling Code, B149.2, or the Standard for Recreational Vehicles, ANSI A 119.2/NFPA 1192, and CSA Z240 RV Series, Recreational Vehicle Code, as applicable.*
- All electrical accessories (such as rotisserie) must be electrically grounded in accordance with local codes, or *National Electrical Code, ANSI / NFPA 70 or Canadian Electrical Code, CSA C22.1*. Keep any electrical cords and/or fuel supply hoses away from any hot surfaces.
- This grill is safety certified for use in the United States and/or Canada only. Do not modify for use in any other location. Modification will result in a safety hazard.

Safety Symbols

The symbols and boxes shown below explain what each heading means. Read and follow all of the messages found throughout the manual.

	DANGER	
<p>DANGER: Indicates an imminently hazardous situation which, if not avoided, will result in death or serious injury.</p>		

	WARNING	
<p>WARNING: Indicates an potentially hazardous situation which, if not avoided, could result in death or serious injury.</p>		



	CAUTION	
<p>CAUTION: Indicates a potentially hazardous situation or unsafe practice which, if not avoided, may result in minor or moderate injury.</p>		

TABLE OF CONTENTS

For Your Safety	2
Grill Service Center	2
Product Record Information	2
Safety Symbols	2
Installation Safety Precautions	2
Kenmore Grill Warranty	3
Use and Care	4-10
Natural Gas Conversion Box	11
Notes	11
Parts List	13
Parts Diagram	14
Assembly	15-25
Troubleshooting	26-27

Repair Protection Agreements

Congratulations on making a smart purchase. Your new Kenmore® product is designed and manufactured for years of dependable operation. But like all products, it may require repair from time to time. That's when having a Repair Protection Agreement can save you money and aggravation. *Purchase a Repair Protection Agreement now and protect yourself from unexpected hassle and expense.*

Here's what the Repair Protection Agreement includes:

- Expert service** by our 10,000 professional repair specialists
- Unlimited service and no charge** for parts and labor on all covered repairs
- Product replacement** up to \$1500 if your covered product can't be fixed
- Discount of 10%** from regular price of service and related installed parts not covered by the agreement; also, 10% off regular price of preventive maintenance check
- Fast help by phone** – we call it Rapid Resolution – phone support from a Sears representative. Think of us as a “talking owner's manual.”

Once you purchase the Repair Protection Agreement, a simple phone call is all that it takes for you to schedule service. You can call anytime day or night, or schedule a service appointment online.

The Repair Protection Agreement is a risk-free purchase. If you cancel for any reason during the product warranty period, we will provide a full refund. Or, a prorated refund anytime after the product warranty period expires. Purchase your Repair Protection Agreement today!

Some limitations and exclusions apply.

For prices and additional information call 1-800-827-6655.

Sears Installation Service

For Sears professional installation of home appliances, garage door openers, water heaters, and other major home items, in the U.S.A. call **1-800-4-MY-HOME®**

WARRANTY

Kenmore Full Warranty

If this grill fails due to a defect in material or workmanship within one year from the date of purchase, call 1-800-4-MY-HOME® to arrange for free repair (or replacement if repair proves impossible).

Limited Warranty on Burners

For ten years from the date of purchase, any stainless steel burner that rusts through will be replaced free of charge. After the first year from the date of purchase, you pay for labor if you wish to have it installed.

All warranty coverage excludes ignitor batteries and grill part paint loss, discoloration or rusting, which are either expendable parts that can wear out from normal use within the warranty period, or are conditions that can be the result of normal use, accident or improper maintenance.

All warranty coverage is void if this grill is ever used for commercial or rental purposes.

All warranty coverage applies only if this grill is used in the United States.

This warranty gives you specific legal rights, and you may also have other rights which vary from state to state.

**Sears Brands Management Corporation,
Hoffman Estates, IL 60179**

USE AND CARE



DANGER



- **NEVER** store a spare LP cylinder under or near the grill appliance or in an enclosed area.



- **Never fill a cylinder beyond 80% full.**
- **If the information in the two points above is not followed exactly, a fire causing death or serious injury may occur.**
- **An over filled or improperly stored cylinder is a hazard due to possible gas release from the safety relief valve. This could cause an intense fire with risk of property damage, serious injury or death.**
- **If you see, smell or hear gas escaping, immediately get away from the LP cylinder and grill appliance and call your fire department.**

LP Tank Removal, Transport And Storage

- Turn OFF all control knobs and LP tank valve. Turn coupling nut counterclockwise by hand only - do not use tools to disconnect. Lift LP tank wire upward off of LP tank collar, then lift LP tank up and off of support bracket. Install safety cap onto LP tank valve. Always use cap and strap supplied with valve.

Failure to use safety cap as directed may result in serious personal injury and/or property damage.

LP Tank Valve



Retainer Strap

- A disconnected LP tank in storage or being transported must have a safety cap installed (as shown). Do not store an LP tank in enclosed spaces such as a carport, garage, porch, covered patio or other building. Never leave an LP tank inside a vehicle which may become overheated by the sun.
- Do not store an LP tank in an area where children play.

LP Cylinder

- **The LP cylinder used with your grill must meet the following requirements:**
- Use LP cylinders only with these required measurements: 12" (30.5cm) (diameter) x 18" (45.7 cm) (tall) with 20 lb. (9 kg.) capacity maximum.
- LP cylinders must be constructed and marked in accordance with specifications for LP cylinders of the U.S. Department of Transportation (DOT) or for Canada, CAN/CSA-B339, cylinders, spheres and tubes for transportation of dangerous goods. Transport Canada (TC). See LP cylinder collar for marking.
- LP cylinder valve must have:
 - Type 1 outlet compatible with regulator or grill.
 - Safety relief valve.
 - UL listed Overfill Protection Device (OPD). This OPD safety feature is identified by a unique triangular hand wheel. **Use only LP cylinders equipped with this type of valve.**
- LP cylinder must be arranged for vapor withdrawal and include collar to protect LP cylinder valve. Always keep LP cylinders in upright position during use, transit or storage.



OPD Hand Wheel



LP cylinder in upright position for vapor withdrawal

LP (Liquefied Petroleum Gas)

- LP gas is nontoxic, odorless and colorless when produced. **For Your Safety**, LP gas has been given an odor (similar to rotten cabbage) so that it can be smelled.
- LP gas is highly flammable and may ignite unexpectedly when mixed with air.

LP Cylinder Filling

- Use only licensed and experienced dealers.
- LP dealer **must purge new cylinder** before filling.
- Dealer should **NEVER** fill LP cylinder more than 80% of LP cylinder volume. Volume of propane in cylinder will vary by temperature.
- A frosty regulator indicates gas overfill. Immediately close LP cylinder valve and call local LP gas dealer for assistance.
- Do not release liquid propane (LP) gas into the atmosphere. This is a hazardous practice.
- To remove gas from LP cylinder, contact an LP dealer or call a local fire department for assistance. Check the telephone directory under "Gas Companies" for nearest certified LP dealers.

LP Tank Exchange



• Many retailers that sell grills offer you the option of replacing your empty LP tank through an exchange service. Use only those reputable exchange companies that inspect, precision fill, test and certify their cylinders. **Exchange your tank only for an OPD safety feature-equipped tank as described in the "LP Tank" section of this manual.**

• Always keep new and exchanged LP tanks in upright position during use, transit or storage.

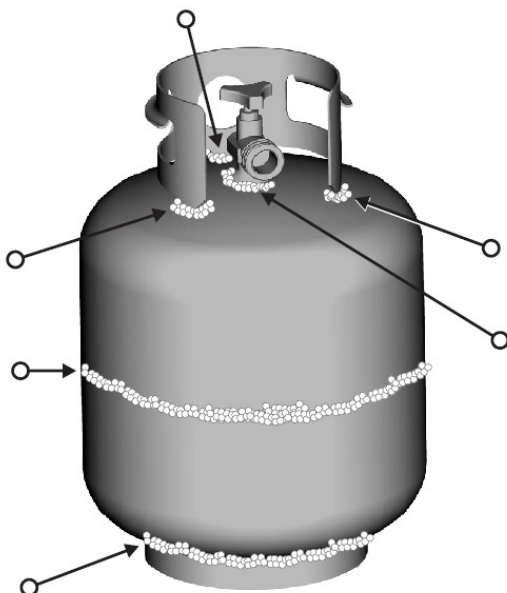
• **Leak test new and exchanged LP tanks BEFORE connecting to grill.**

LP Tank Leak Test For your safety

- Leak test must be repeated each time LP tank is exchanged or refilled.
- Do not smoke during leak test.
- Do not use an open flame to check for gas leaks.
- Grill must be leak tested outdoors in a well-ventilated area, away from ignition sources such as gas fired or electrical appliances. During leak test, keep grill away from open flames or sparks.
- Use a clean paintbrush and a 50/50 mild soap and water solution. Brush soapy solution onto areas indicated by arrows in figure below. Leaks are indicated by growing bubbles.

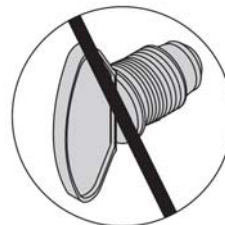
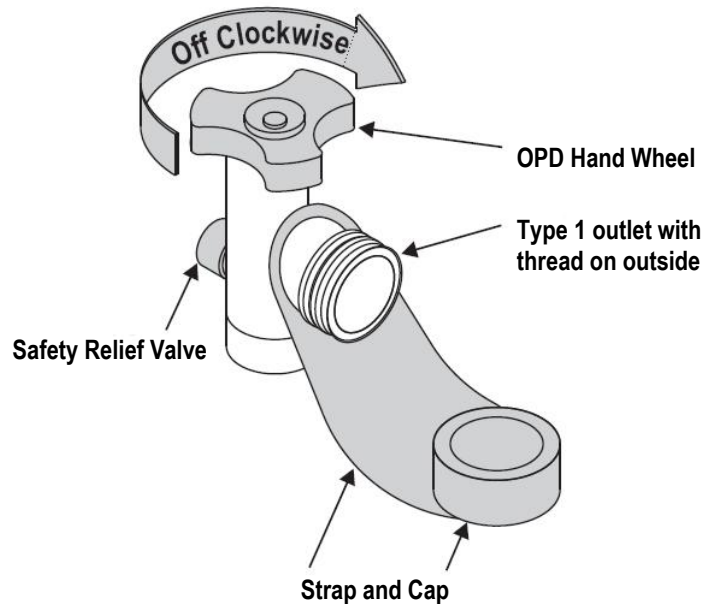
	WARNING	
<p>If "growing" bubbles appear do not use or move the LP tank. Contact an LP gas supplier or your fire department!</p>		

▲ **Do not use household cleaning agents.** Damage to gas train components (valve/hose/regulator) can result.



Connecting Regulator To The LP Tank

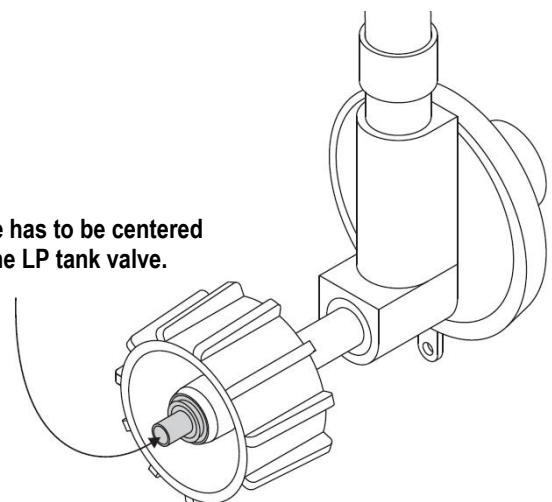
1. LP tank must be properly secured onto grill. (Refer to assembly section.)
2. Turn all control knobs to the OFF position.
3. Turn LP tank OFF by turning OPD hand wheel clockwise to a full stop.
4. Remove the protective cap from LP tank valve. Always use cap and strap supplied with valve.

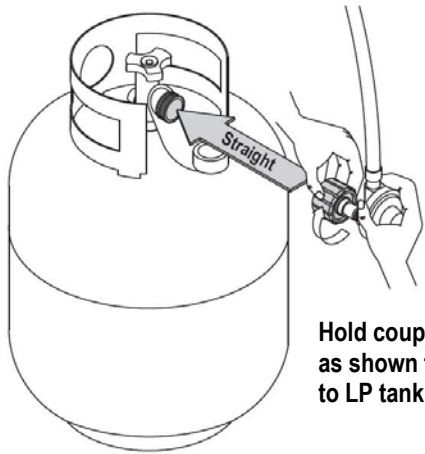


Do not insert a POL transport plug (plastic part with external threads) into the Type 1 tank valve outlet. It will defeat the Safety Relief Valve feature.

5. Hold regulator and insert nipple into LP tank valve. Hand-tighten the coupling nut, holding regulator in a straight line with LP tank valve so as not to crossthread the connection.

Nipple has to be centered into the LP tank valve.





Hold coupling nut and regulator as shown for proper connection to LP tank valve.

- Turn the coupling nut clockwise and tighten to a full stop. The regulator will seal on the back-check feature in the LP tank valve, resulting in some resistance. **An additional one-half to three-quarters turn is required to complete the connection. Tighten by hand only – do not use tools.**

NOTE:

If you cannot complete the connection, disconnect regulator and repeat steps 5 and 6. If you are still unable to complete the connection, **do not use this regulator! Call 1-800-482-0131 for assistance.**

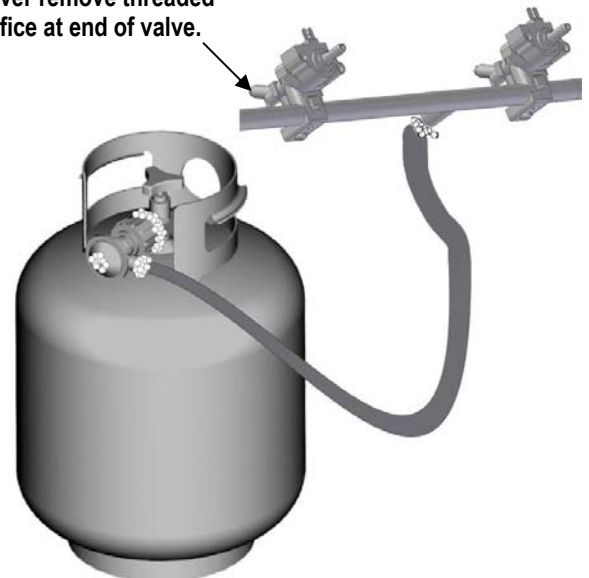
	DANGER	
<ul style="list-style-type: none"> Do not insert any tool or foreign object into the valve outlet or safety relief valve. You may damage the valve and cause a leak. Leaking propane may result in explosion, fire, severe personal injury, or death. 		

	WARNING	
<ul style="list-style-type: none"> Outdoor gas appliance is not intended to be installed in or on a boat. Outdoor gas appliance is not intended to be installed in or on an RV. Never attempt to attach this grill to the self-contained LP gas system of a camper trailer or motor home. Do not use grill until leak-tested. If a leak is detected at any time, STOP and call the fire department. If you cannot stop a gas leak, <i>immediately</i> close LP cylinder valve and call LP gas supplier or your fire department! 		

Leak Testing Valves, Hose and Regulator

- Turn all grill control knobs to OFF.
- Be sure regulator is tightly connected to LP tank.
- Completely open LP tank valve by turning OPD hand wheel counterclockwise. If you hear a *rushing sound*, turn gas off immediately. There is a major leak at the connection. **Correct before proceeding** by calling Sears for replacement parts at **1-800-4-MY-HOME®**.
- Brush soapy solution onto areas where bubbles are shown in picture below:

▲ Never remove threaded orifice at end of valve.



- If “growing” bubbles appear, there is a leak. Close LP tank valve immediately and retighten connections. **If leaks cannot be stopped do not try to repair.** Call Sears for replacement parts at **1-800-4-MY-HOME®**.
- Always close LP tank valve after performing leak test by turning hand wheel clockwise.

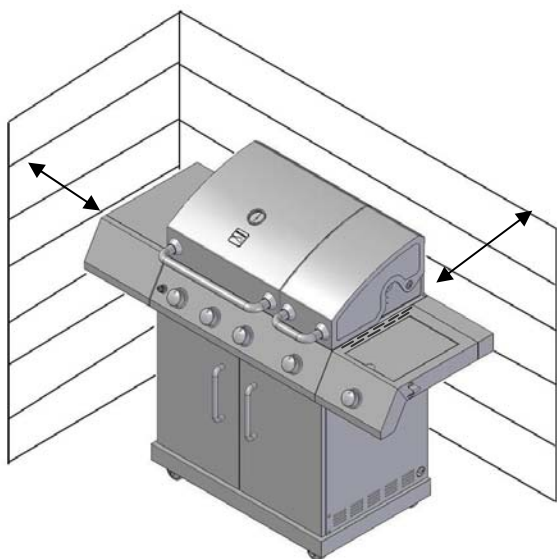


WARNING



For Safe Use of Your Grill and to Avoid Serious Injury:

- Do not let children operate or play near grill.
- Keep grill area clear and free from materials that burn.
- Do not block holes in sides or back of grill.
- Check burner flames regularly.
- Use grill only in well-ventilated space. NEVER use in enclosed space such as carport, garage, porch, covered patio, or under an overhead structure of any kind.
- Do not use charcoal or ceramic briquets in a gas grill. (*Unless briquets are supplied with your grill.*)
- **Use grill at least 3 ft. from any wall or surface.** Maintain 10 ft. clearance to objects that can catch fire or sources of ignition such as pilot lights on water heaters, live electrical appliances, etc.



• Apartment Dwellers:

Check with management to learn the requirements and fire codes for using an LP gas grill in your apartment complex. If allowed, use outside on the ground floor with a three (3) foot clearance from walls or rails. Do not use on or under balconies.

- **NEVER attempt to light burner with lid closed. A buildup of non-ignited gas inside a closed grill is hazardous.**
- **Never operate grill with LP cylinder out of correct position specified in assembly instructions.**
- **Always close LP cylinder valve and remove coupling nut before moving LP cylinder from specified operation position.**

Safety Tips

- ▲ Before opening LP cylinder valve, check the coupling nut for tightness.
- ▲ When grill is not in use, turn off all control knobs and LP cylinder valve.
- ▲ Never move grill while in operation or still hot.
- ▲ Use long-handled barbecue utensils and oven mitts to avoid burns and splatters.
- ▲ Maximum load for sideburner and side shelf is 10 lbs.
- ▲ The grease tray **must** be inserted into grill and emptied after each use. Do not remove grease tray until grill has completely cooled.
- ▲ Clean grill often, preferably after each cookout. If a bristle brush is used to clean any of the grill cooking surfaces, ensure no loose bristles remain on cooking surfaces prior to grilling. It is not recommended to clean cooking surfaces while grill is hot.
- ▲ If you notice grease or other hot material dripping from grill onto valve, hose or regulator, turn off gas supply at once. Determine the cause, correct it, then clean and inspect valve, hose and regulator before continuing. Perform a leak test.
- ▲ Keep ventilation openings in cylinder enclosure (grill cart) free and clear of debris.
- ▲ Do not store objects or materials inside the grill cart enclosure that would block the flow of combustion air to the underside of either the control panel or the firebox bowl.
- ▲ The regulator may make a humming or whistling noise during operation. This will not affect safety or use of grill.
- ▲ If you have a grill problem see the "*Troubleshooting Section*".
- ▲ If the regulator frosts, turn off grill and LP cylinder valve immediately. This indicates a problem with the cylinder and it should not be used on any product. Return to supplier!



CAUTION



- **Putting out grease fires by closing the lid is not possible. Grills are well ventilated for safety reasons.**
- **Do not use water on a grease fire. Personal injury may result. If a grease fire develops, turn knobs and LP cylinder off.**
- **Do not leave grill unattended while preheating or burning off food residue on HI. If grill has not been regularly cleaned, a grease fire can occur that may damage the product.**

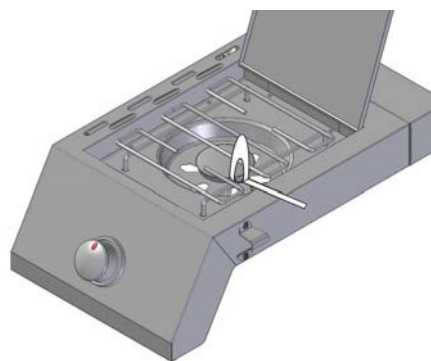
Ignitor Lighting the Grill


1. Read instructions before lighting your grill.
2. Open lid during lighting.
3. Open LP cylinder or natural gas valve.
4. Push any burner control knob in and turn the knob to the left to "HI" position. Keep pressing the knob until the burner is lit.



5. If ignition does not occur in 5 seconds, turn the burner control off, wait 5 minutes for gas to clear away, and repeat the lighting procedure.

6. To light other burners, repeat step 4.

NOTE: If ignitor does not work, follow Match Lighting instructions.



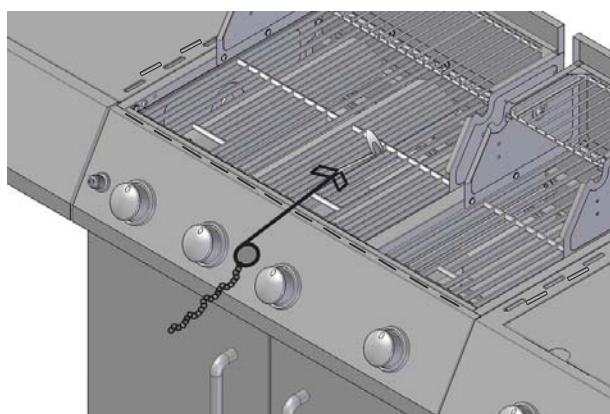
	WARNING	
<p>Turn controls and gas source or tank OFF when not in use.</p>		

	CAUTION	
<p>If ignition does not occur in 5 seconds, turn the burner control off, wait 5 minutes, and repeat the lighting procedure. If the burner does not ignite with the valve open, gas will continue to flow out of the burner and could accidentally ignite with risk of injury.</p>		

Match-Lighting

▲ Do not lean over grill while lighting.

1. Open lid during lighting.
2. Place match into match holder (hanging from side of cart). Light match, place into the firebox.
3. Push in and turn right knob to HIGH position. Be sure burner lights and stays lit.
4. Light other burners by pushing knob in and turning to HI position.

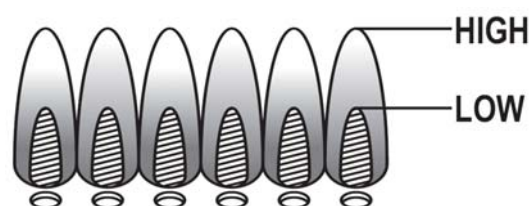


Sideburner Match Lighting

1. Open sideburner lid. Turn on gas at LP cylinder.
2. Place lit match near burner.
3. Turn sideburner knob to HI. Be sure burner lights and stays lit.

Burner Flame Check

• Remove cooking grates and heat diffusers. Light burners, rotate knobs from HIGH to LOW. You should see a smaller flame in LOW position than seen on HIGH. Perform burner flame check on sideburner, also. Always check flame prior to each use.



Turning Grill Off

• Turn all knobs to position. Turn LP cylinder off by turning hand-wheel clockwise to a full stop.

Ignitor Check

• Turn gas off at LP cylinder. Push the control knob in and turn the knob to the left to "HI" position. "Click" should be heard and spark seen each time between collector box or burner and electrode. See "Troubleshooting" if no click or spark.

Valve Check

• Important: Make sure gas is off at LP cylinder before checking valves. Knobs lock in OFF position. To check valves, first push in knobs and release, knobs should spring back. If knobs do not spring back, replace valve assembly before using grill. Turn knobs to LOW position then turn back to OFF position. Valves should turn smoothly.

Hose Check

• Before each use, check to see if hoses are cut or worn. Replace damaged hoses before using grill. Use only identical replacement part valve/hose/regulator as specified in the Parts List of this Use and Care Guide.

General Grill Cleaning

- Do not mistake brown or black accumulation of grease and smoke for paint. Interiors of gas grills are not painted at the factory (and should never be painted). Apply a strong solution of detergent and water or use a grill cleaner with scrub brush on insides of grill lid and bottom. Rinse and allow to completely air dry. Do not apply a caustic grill/oven cleaner to painted surfaces.
- Plastic parts: Wash with warm soapy water and wipe dry.

Do not use citrisol, abrasive cleaners, degreasers or a concentrated grill cleaner on plastic parts. Damage to and failure of parts can result.

•**Porcelain surfaces:** Because of glass-like composition, most residue can be wiped away with baking soda/water solution or specially formulated cleaner. Use nonabrasive scouring powder for stubborn stains.

•**Painted surfaces:** Wash with mild detergent or nonabrasive cleaner and warm soapy water. Wipe dry with a soft nonabrasive cloth.

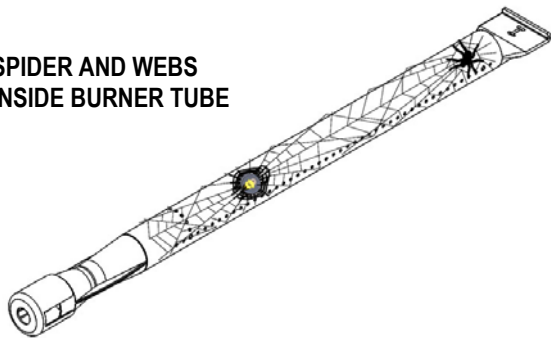
•**Stainless steel surfaces:** To maintain your grill's high quality appearance, wash with mild detergent and warm soapy water and wipe dry with a soft cloth after each use. Baked-on grease deposits may require the use of an abrasive plastic cleaning pad. Use only in direction of brushed finish to avoid damage. Do not use abrasive pad on areas with graphics.

•**Cooking surfaces:** If a bristle brush is used to clean any of the grill cooking surfaces, ensure no loose bristles remain on cooking surfaces prior to grilling. It is not recommended to clean cooking surfaces while grill is hot.



SPIDER ALERT!

SPIDER AND WEBS
INSIDE BURNER TUBE



If you notice that your grill is getting hard to light or that the flame isn't as strong as it should be, take the time to check and clean the burner tubes.

Spiders or small insects have been known to create "flashback" problems. The spiders spin webs, build nests and lay eggs in the grill's burner tubes obstructing the flow of gas to the burner. The backed-up gas can ignite in the burner tube behind the control panel. This is known as a flashback and it can damage your grill and even cause injury.

To prevent flashbacks and ensure good performance the burner and burner tube assembly should be removed from the grill and cleaned before use whenever the grill has been idle for an extended period.

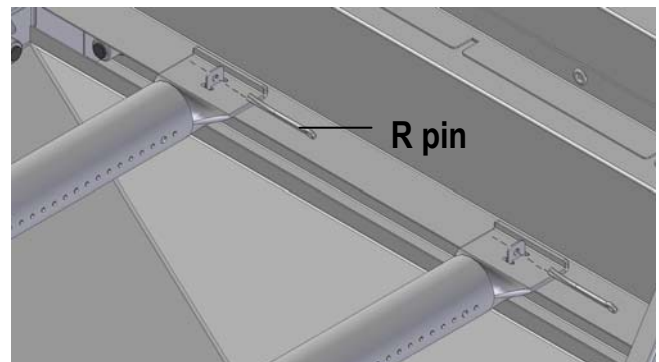
Storing Your Grill

- Clean cooking grates.
- Store in dry location.
- When LP cylinder is connected to grill, store outdoors in a wellventilated space and out of reach of children.
- Cover grill if stored outdoors. Choose from a variety of grill covers offered by manufacturer.
- Store grill indoors ONLY if LP cylinder is turned off and disconnected, removed from grill and stored outdoors.
- When removing grill from storage, follow "*Cleaning the Burner Assembly*" instructions before starting grill.

Cleaning the Burner Assembly

Follow these instructions to clean and/or replace parts of burner assembly or if you have trouble igniting grill.

1. **Turn gas off at control knobs and LP cylinder.**
2. Remove cooking grates and heat diffusers.
3. Remove R pins from rear of burners.
4. Carefully lift each burner up and away from valve openings.



We suggest three ways to clean the burner tubes. Use the one easiest for you.

(A) Bend a stiff wire (a light weight coat hanger works well) into a small hook. Run the hook through each burner tube several times.

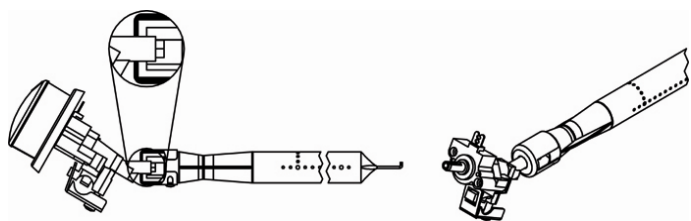


(B) Use a narrow bottle brush with a flexible handle (do not use a brass wire brush), run the brush through each burner tube several times.

(C) **Wear eye protection:** Use an air hose to force air into the burner tube and out the burner ports. Check each port to make sure air comes out each hole.

5. Wire brush entire outer surface of burner to remove food residue and dirt.
6. Clean any blocked ports with a stiff wire such as an open paper clip.
7. Check burner for damage, due to normal wear and corrosion some holes may become enlarged. If any large cracks or holes are found replace burner.

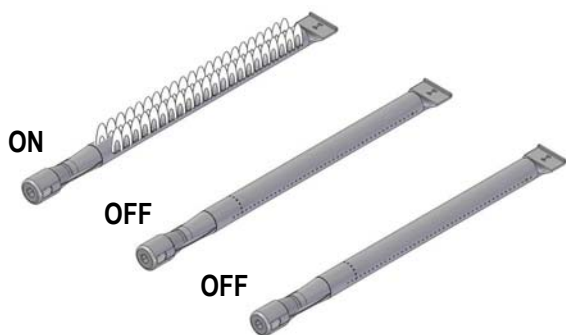
VERY IMPORTANT: Burner tubes must reengage valve openings.



Correct burner-to-valve engagement

Indirect Cooking

Poultry and large cuts of meat cook slowly to perfection on the grill by indirect heat. Place food over unlit burner(s); the heat from lit burners circulates gently throughout the grill, cooking meat or poultry without the touch of a direct flame. This method greatly reduces flare-ups when cooking extra fatty cuts because there is no direct flame to ignite the fats and juices that drip during cooking.

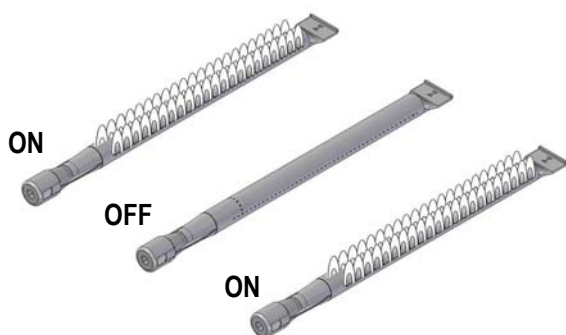


1 Burner Cooking

Cook with direct or indirect heat.
Best for smaller meals or foods.
Consumes less fuel.

Indirect Cooking Instructions

- Always cook with the lid closed.
- Due to weather conditions, cooking times may vary. During cold and windy conditions the temperature setting may need to be increased to insure sufficient cooking temperatures.
- Place food over unlit burner(s)



2 Burner Cooking

Great indirect cooking on low.
Produces slow, even heating.
Ideal for slow roasting and baking.

Food Safety

Food safety is a very important part of enjoying the outdoor cooking experience. To keep food safe from harmful bacteria, follow these four basic steps:

Clean: Wash hands, utensils, and surfaces with hot soapy water before and after handling raw meat and poultry.

Separate: Separate raw meats and poultry from ready-to-eat foods to avoid cross contamination. Use a clean platter and utensils when removing cooked foods.

Cook: Cook meat and poultry thoroughly to kill bacteria. Use a thermometer to ensure proper internal food temperatures.

Chill: Refrigerate prepared foods and leftovers promptly.

For more information call: USDA Meat and Poultry Hotline at 1-800-535-4555 (In Washington, DC (202) 720-3333, 10:00 am-4:00 pm EST).

How To Tell If Meat Is Grilled Thoroughly

- Meat and poultry cooked on a grill often browns very fast on the outside. Use a meat thermometer to be sure food has reached a safe internal temperature, and cut into food to check for visual signs of doneness.
- Whole poultry should reach 180° F; breasts, 170° F. Juices should run clear and flesh should not be pink.
- Hamburgers made of any ground meat or poultry should reach 160° F, and be brown in the middle with no pink juices. Beef, veal and lamb steaks, roasts and chops can be cooked to 145° F. All cuts of pork should reach 160° F.
- NEVER partially grill meat or poultry and finish cooking later. Cook food completely to destroy harmful bacteria.
- When reheating takeout foods or fully cooked meats like hot dogs, grill to 165° F, or until steaming hot.

WARNING: To ensure that it is safe to eat, food must be cooked to the minimum internal temperatures listed in the table below.

USDA* Safe Minimum Internal Temperatures	
Fish	145°F
Pork	160°F
Egg Dishes	160°F
Steaks and Roasts of Beef, Veal or Lamb	145°F
Ground Beef, Veal or Lamb	160°F
Whole Poultry (Turkey, Chicken, Duck, etc.)	165°F
Ground or Pieces Poultry (Chicken Breast, etc.)	165°F

*United States Department of Agriculture

Natural Gas Conversion Box

To purchase Natural Gas Conversion Parts call Sears at **1-800-4-MY-HOME[®]**

Natural gas conversion kit


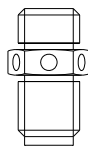
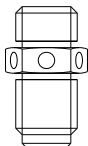
Kenmore Model # 10478

(Manufacturer Part No.: L3018S-KIT or S3218A-KIT)

Your grill can be converted to natural gas with this conversion kit by a qualified gas technician only. In order to convert this grill, the technician will need this conversion kit.

The L3018S-KIT is designed specifically for this grill and contains all components required for the conversion.

The 10478 kit contains orifices for various grill models. Please select the orifices as listed below and discard the rest. Follow the conversion instruction provided with the kit.

Model	Main burner Φ1.37	Sear burner Φ1.44	Side burner Φ1.31
			
148.16656011	3	1	1

12 ft. extension hose with 3/8 in. ID (inner diameter)

If converting the grill to natural gas, the technician in most cases will need this 12' extension hose with 3/8" ID (inner diameter), which is included in the natural gas conversion kit.



Notes

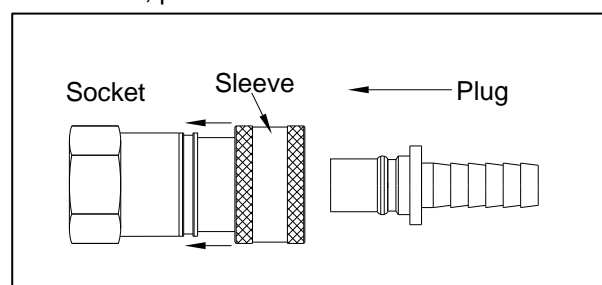
For Natural Gas Connection

Preparing:

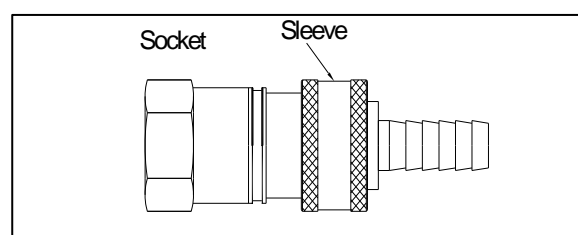
1. Turn off gas supply, and then remove cap on gas supply side.
2. Recommended: Install a shut-off valve on gas supply side before installing the socket.
3. Socket should be installed by an authorized technician in accordance with the national fuel gas code (NFPA 54/ANSI223.1).
4. Before inserting plug, turn on gas supply and leak test all connections including the stem of the shut-off valve and the opening of the socket. For best results, use an ammonia-free soap & water solution.

Operating Instructions:

1. To connect, push back socket sleeve.



2. Insert plug and release sleeve.
3. Push plug until sleeve snaps forward. (Gas will flow automatically. Failure to connect plug properly to socket will inhibit gas flow to the appliance.)



To disconnect

1. Pull Sleeve back. Pull plug out of socket. (Gas is automatically shut off.)
2. Close shut-off valve and replace dust caps on socket and plug.

Gas Requirements

LP Gas

If your grill is for LP Gas, the regulator supplied is set for an 11-in. water column (WC) and is for use with LP gas only. The factory-supplied regulator and hose must be used with a 20-lb. LP gas tank.

Natural Gas

If your grill is for Natural Gas, it is set for a 7-in. water column (WC) and is for use with Natural Gas only. Gas pressure is affected by gas line size and the length of gas line run from house gas line. Follow the recommendations in the chart below.

From House to Grill	
Distance	Tubing Size
Up to 25 ft.	3/8 in. diameter
26-50 ft.	1/2 in. diameter
51-100 ft.	2/3 of the run: 3/4 in. diameter 1/3 of the run :1/2 in. diameter
Over 101 ft.	3/4 in. diameter

Excess Flow Control and Low Heat

The propane regulator assembly incorporates an excess flow device designed to supply the grill with sufficient gas flow under normal conditions yet control excess gas flow. Rapid changes in pressure can trigger the excess flow device providing a low flame and low temperature. If the tank valve is turned open to allow gas flow while a burner valve is open, the surge of pressure will cause the device to activate. The device will remain closed until the pressure is equalized. This should occur within 5 seconds.

To ensure this does not cause difficulty in lighting the grill, follow these instructions:

1. Make sure all burner valves are "OFF".
2. Open the tank valve and wait 5 seconds.
3. Light the burners one at a time following the lighting instructions.

Helpful Care and Maintenance Hints

Before grilling, pre-heat grill for 15 minutes on "HI" with hood down. To avoid uncontrolled flare-ups or grease fires, grill meats with hood open. Close hood if meats are thick or weather is cold, or if you are using a rotisserie or indirect cooking.

Always protect your hand with a pot holder or cooking glove when coming into contact with a hot surface.

Hood up when grilling meats, especially chicken. Hood down when indirect or rotisserie cooking.

NEVER leave your grill unattended while cooking.

After use, close hood, turn burners to HI for 15 min. for self-cleaning, grease burn off.

Care and Maintenance Time Table Chart

Grill Item	Frequency Based on Normal Use	Cleaning Method
Painted surface	Twice yearly	Car wax
Stainless surface	Twice yearly	Stainless cleaner
All grates	After each use	Burn off and wipe
Stainless grates	15 days	Wire brush/ Dishwasher safe
Porcelain grates	15 days	Scrub pad soapy water /Dishwasher safe
Burner heat tents	30 days	Wire brush
Burners	90 days	Wire brush
Burner box interior	120 days	Interior grill cleaning products (available at sears)

PARTS LIST

Key	Qty.	Description	Manufacturer Part #
1	1	HOOD HANDLE(LEFT)	L3018S-00-4140
2	4	HANDLE BASE	L3018S-00-4102
3	1	LEFT HOOD	L3018S-00-4110
4	1	TEMPERATURE GAUGE	E3518-00-8002
5	1	WASHER	E3518-00-4009
6	1	RIGHT HOOD	L3018S-00-4210
7	2	COOKING GRID (MAIN BURNER)	L3018S-00-2001
8	1	LEFT WARMING RACK	L3018S-00-2020
9	1	RIGHT WARMING RACK	L3018S-00-2030
10	1	COOKING GRID (SEAR BURNER)	L3018S-00-2002
11	3	HEAT DIFFUSER	L3018S-00-2007
12	1	SEAR BURNER	SH3118B-8002
13	1	IGNITION PIN (SEAR BURNER)	L3018S-00-8006
14	1	IGNITION PIN (MAIN BURNER)	L3018S-00-8003
15	1	IGNITION PIN (MAIN BURNER)	L3018S-00-8002
16	1	IGNITION PIN (MAIN BURNER)	L3018S-00-8001
17	3	MAIN BURNER	L3018S-00-2700
18	3	R-PIN	R-PIN
19	1	HOOD HANDLE (RIGHT)	L3018S-00-4240
20	1	DRAWER HEAD	L3018S-00-5210
21	1	DRAWER BODY	L3018S-00-5220
22	1	SIDE SHELF	L3018S-00-5100
23	2	HOOD SLEEVE	E3518-00-0001
24	1	BURNER BOX	L3018S-00-2000
25	1	SIDE BURNER GRID	L3018S-00-6201
26	1	SIDE BURNER HOOD	E3518-00-6001
27	1	SIDE BURNER SHAFT	E3518-00-6002
28	1	COLLECT BOX	E3518-00-5002
29	1	SIDE BURNER SHELF	L3018S-00-6100
30	1	IGNITION PIN (SIDE BURNER)	L3018S-00-8005
31	1	SIDE BURNER	SH3118B-8030
32	1	BOTTLE OPENER	SH3118B-5010
33	1	SIDE BURNER VALVE	L3018S-00-6600
34	5	BEZEL	E3518-00-3002
35	5	KNOB	E3518-00-3001
36-1	1	MAIN BURNER HOSE	L3018S-00-8009
37	1	LP GAS PRESSURE REGULATOR	P3018-00-8017
38	1	MANIFOLD	L3018S-00-3200
39	1	CONTROL BOX	L3018S-00-3101

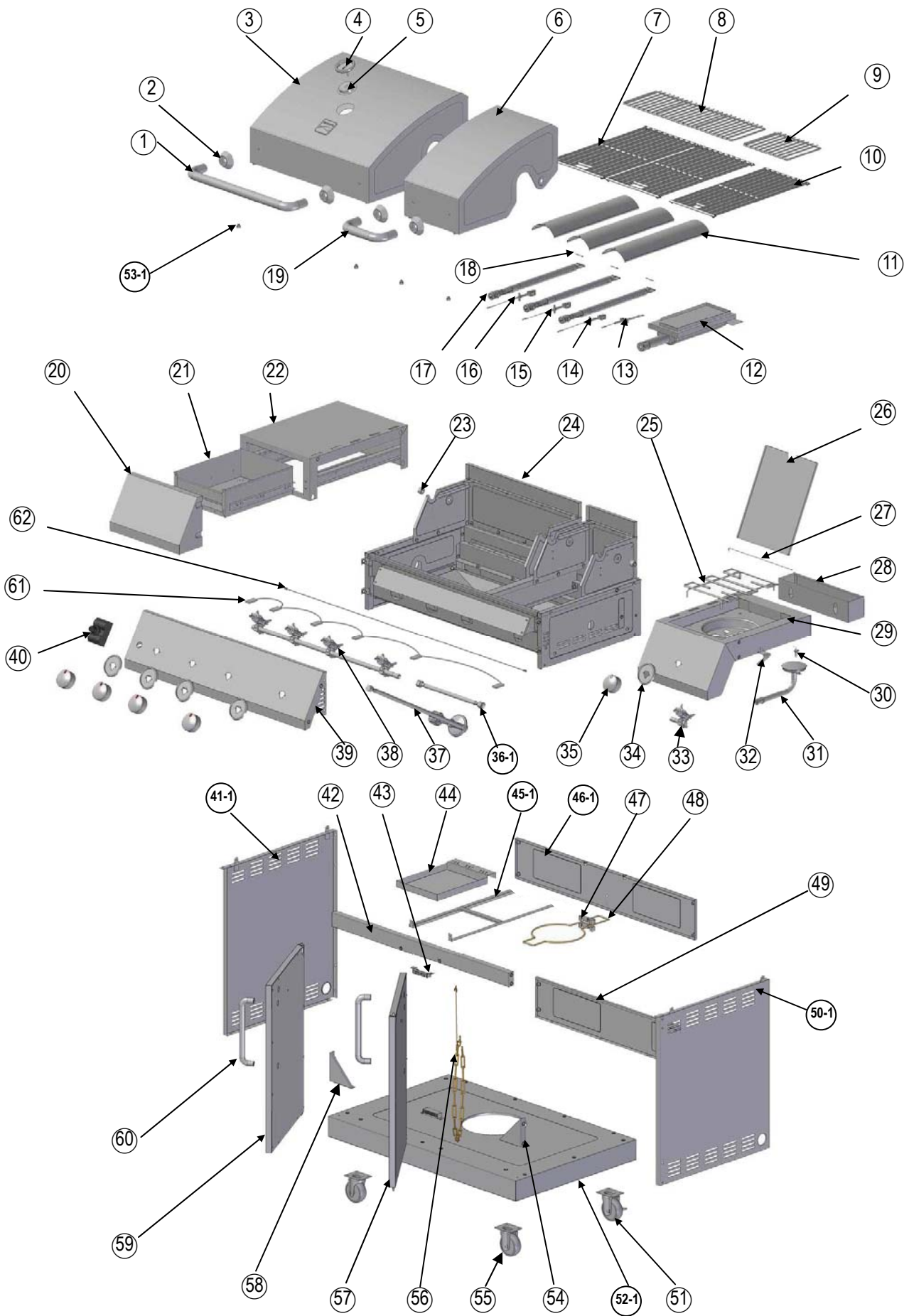
Key	Qty.	Description	Manufacturer Part #
40	1	ELECTRICAL IGNITOR	L3018S-00-8007
41-1	1	LEFT PANEL	L3018S-01-1700
42	1	BEAM	L3018S-00-1300
43	2	MAGNET	L3018S-00-1310
44	1	DRIP TRAY	P3018-00-1002
45-1	1	DRIP TRAY SUPPORT	L3018S-00-1900
46-1	1	REAR PANEL TOP	L3018S-01-1500
47	1	TANK RING BRACKET	E3518-00-1202
48	1	TANK RING	P3018-00-1203
49	1	REAR PANEL BOTTOM	L3018S-00-1200
50-1	1	RIGHT PANEL	L3018S-01-1800
51	2	LOCKING CASTER	L3218-00-8013
52-1	1	BOTTOM PANEL	L3018S-01-1110
53-1	4	RUBBER PLUG	3219B-8082
54	1	SIDE PANEL BRACKET (RIGHT)	L3018S-00-1020
55	2	CASTER	L3218-00-8012
56	1	HAND IGNITOR	3019L-1710
57	1	RIGHT DOOR	L3018S-00-1600
58	1	SIDE PANEL BRACKET (LEFT)	L3018S-00-1010
59	1	LEFT DOOR	L3018S-00-1400
60	2	DOOR HANDLE	L3018S-00-1410
61	1	IGNITION WIRE(MAIN BURNER)	L3018S-00-8004
62	1	IGNITION WIRE(SIDE BURNER)	P3018-00-8002-A
	1	HARDWARE PACK	L3018S-1-HARDWARE
	1	PRODUCT MANUAL	L3018S-1-MANUAL

If you are missing hardware or have damaged parts after unpacking grill, call 1-800-482-0131 for replacement.

To order replacement parts after using grill, call 1-800-4-MY-HOME®

NOTE: Some grill parts shown in the assembly steps may differ slightly in appearance from those on your particular grill model. However, the method of assembly remains the same.

PARTS DIAGRAM



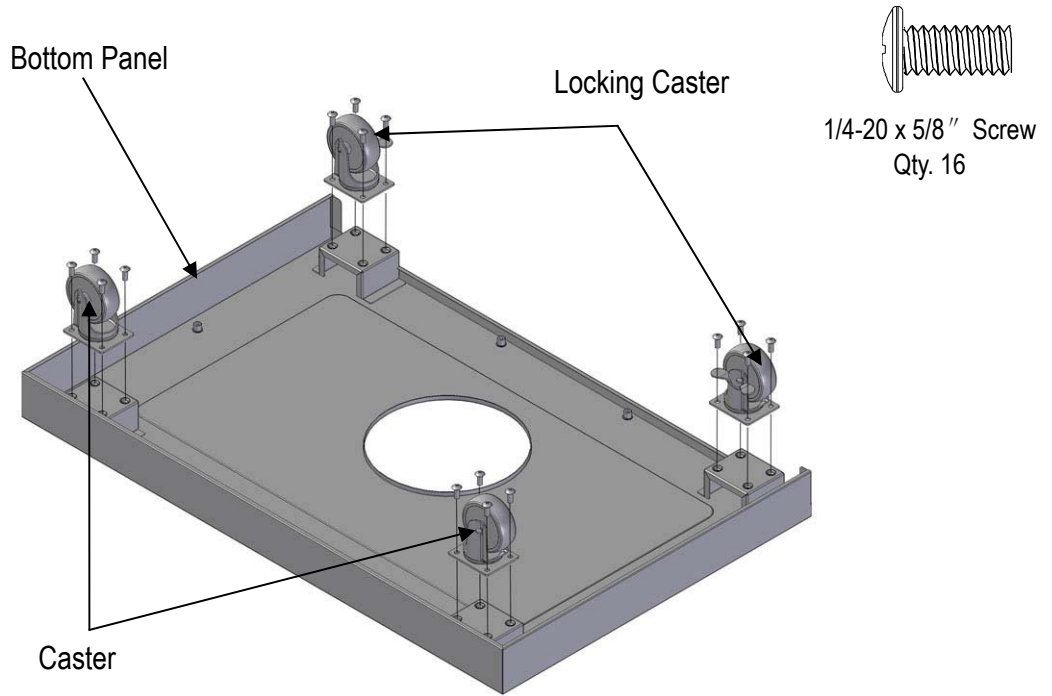
UNPACKING

After removing all parts from the top of the shipping box, and when the only part showing is the grill head, use a knife to slice down the sides of the box. Be careful of staples along shipping box edges. Remove styrofoam packing to gain access to the grill head. Open grill lids and remove all packaged parts and packing material.

WARNING: Assemble and place the grill on a flat level surface. Compare the parts and hardware with the list and diagrams. Do not attempt assembly if any part is missing or damaged.

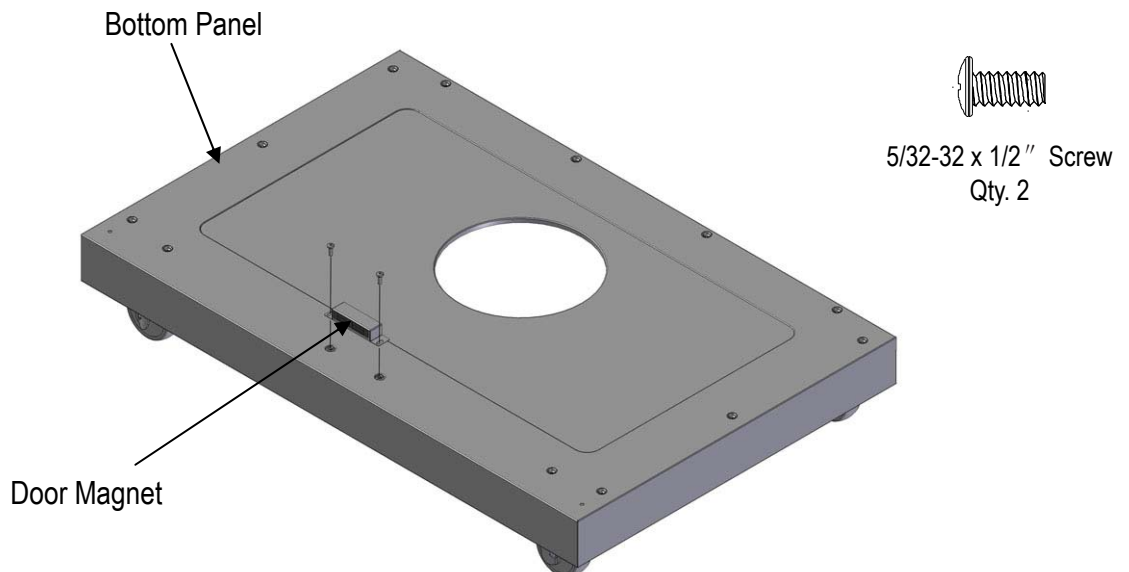
1

Attach the casters to the bottom panel with 4 screws each as shown. Attach the two locking casters at the back of the grill. After attaching all casters, turn the bottom panel over.



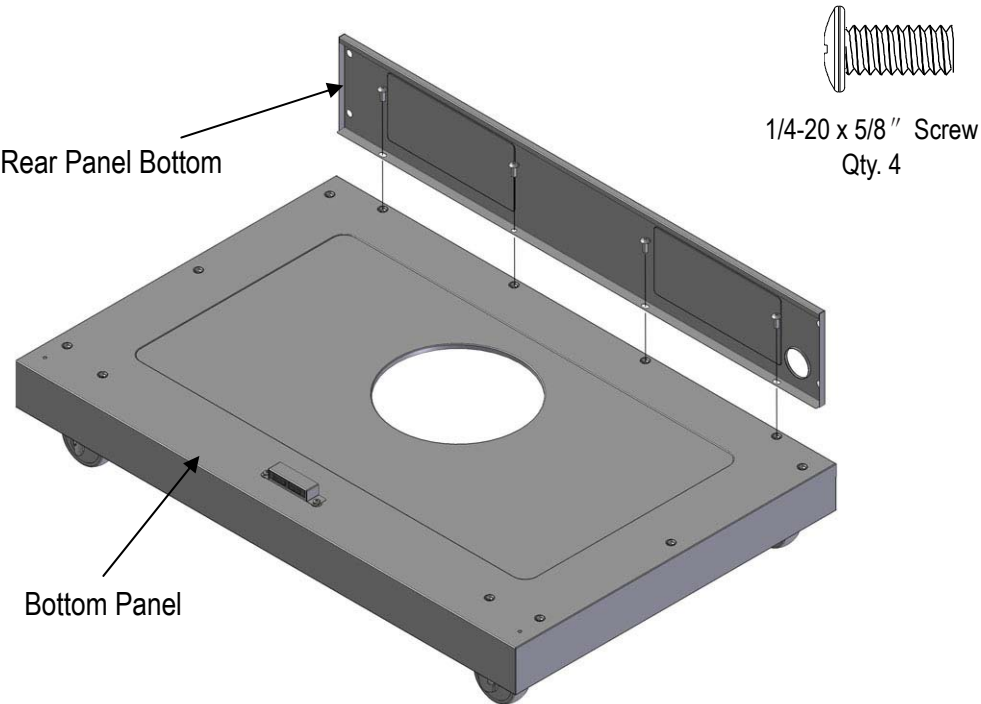
2

Attach the door magnet to the holes in the front of the bottom panel with 2 screws. Do not fully tighten at this time.



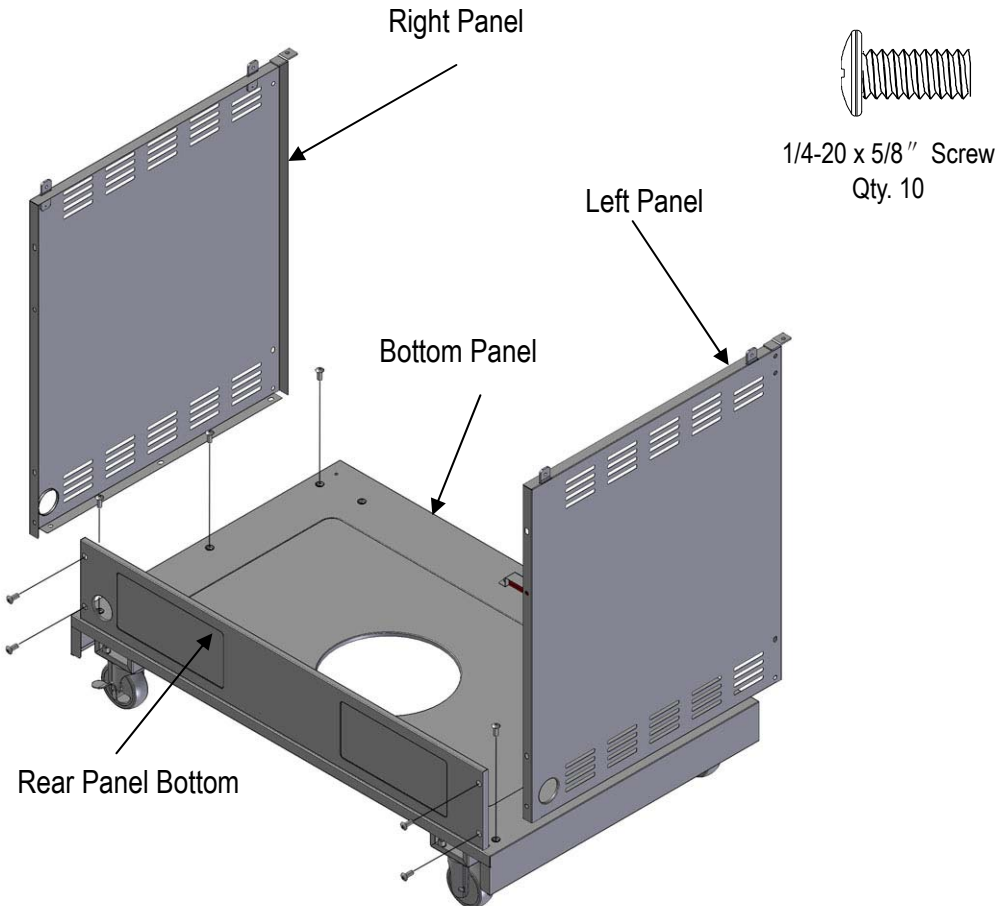
3

Attach Rear Panel to Bottom Panel with 4 screws as shown.



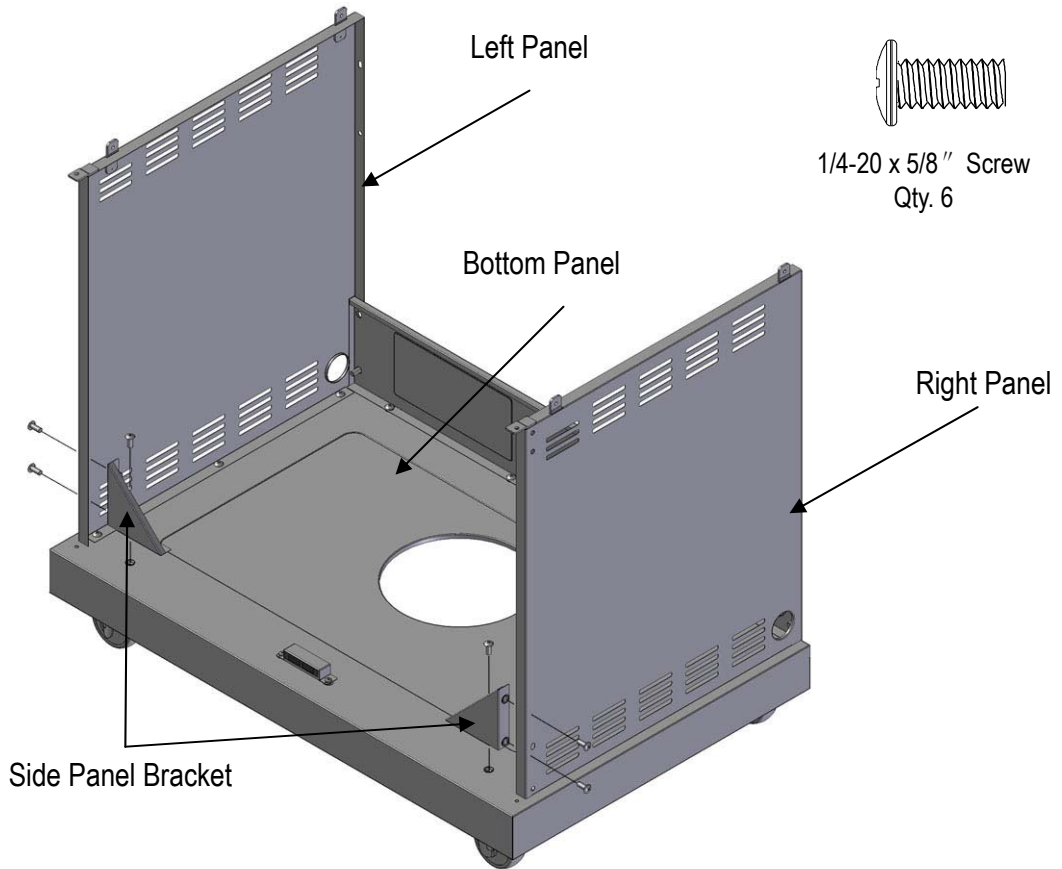
4

Attach side panels to bottom panel as shown. For each side panel, there are two screws for the rear panel and three for the bottom panel. Insert the three bottom panel screws first.



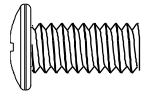
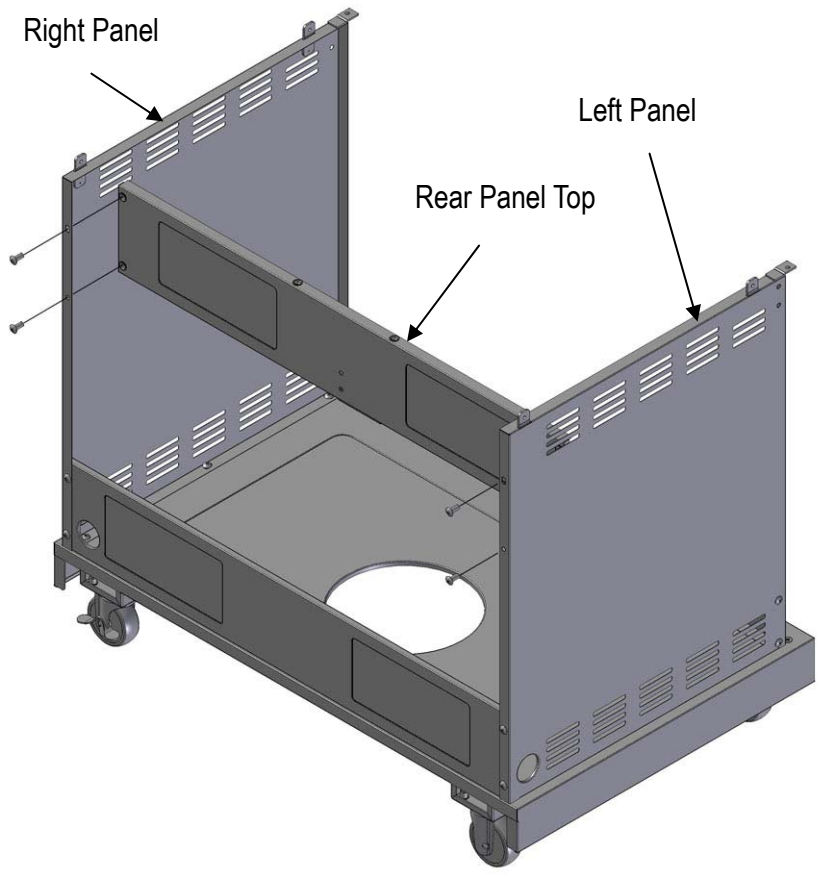
5

Attach the side panel brackets to the side panels and bottom panel with 3 screws each as shown.



6

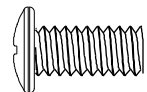
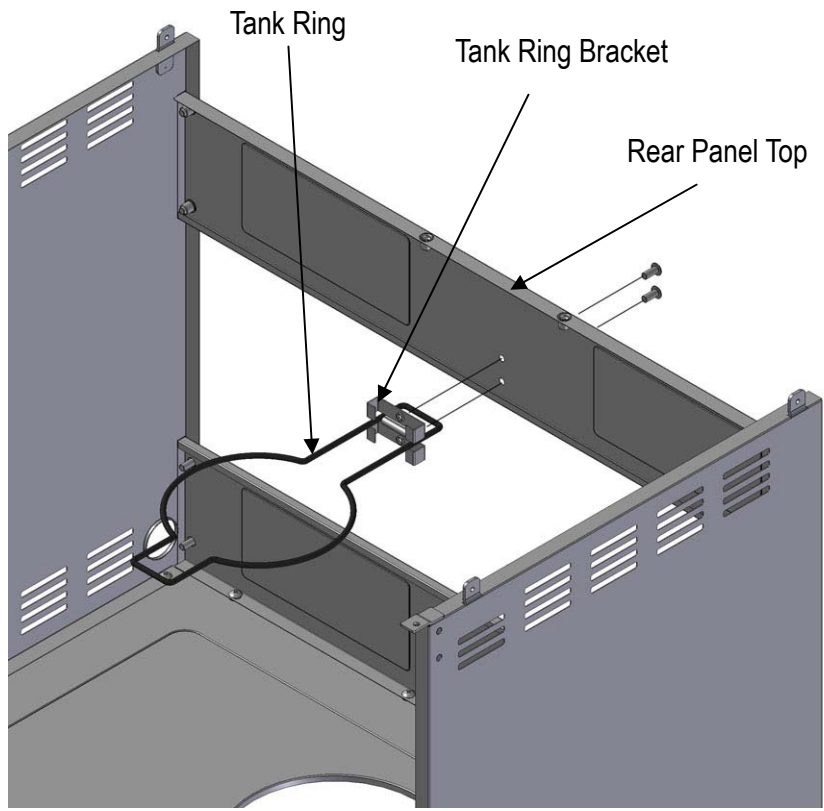
Attach the rear panel top to the side panels with 2 screws each as shown.



1/4-20 x 5/8" Screw
Qty. 4

7

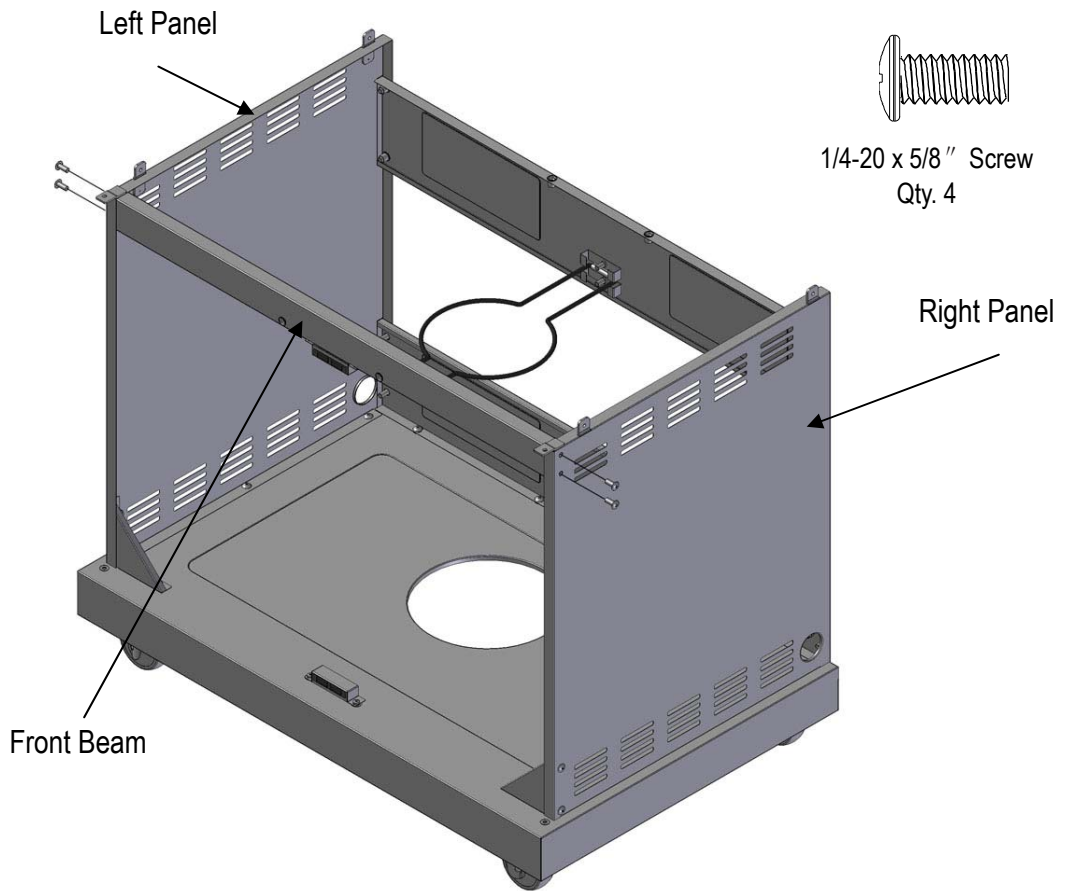
Slide the tank ring bracket onto the end of the tank ring as shown. Attach the bracket to the rear panel top with 2 screws as shown.



1/4-20 x 5/8" Screw
Qty. 2

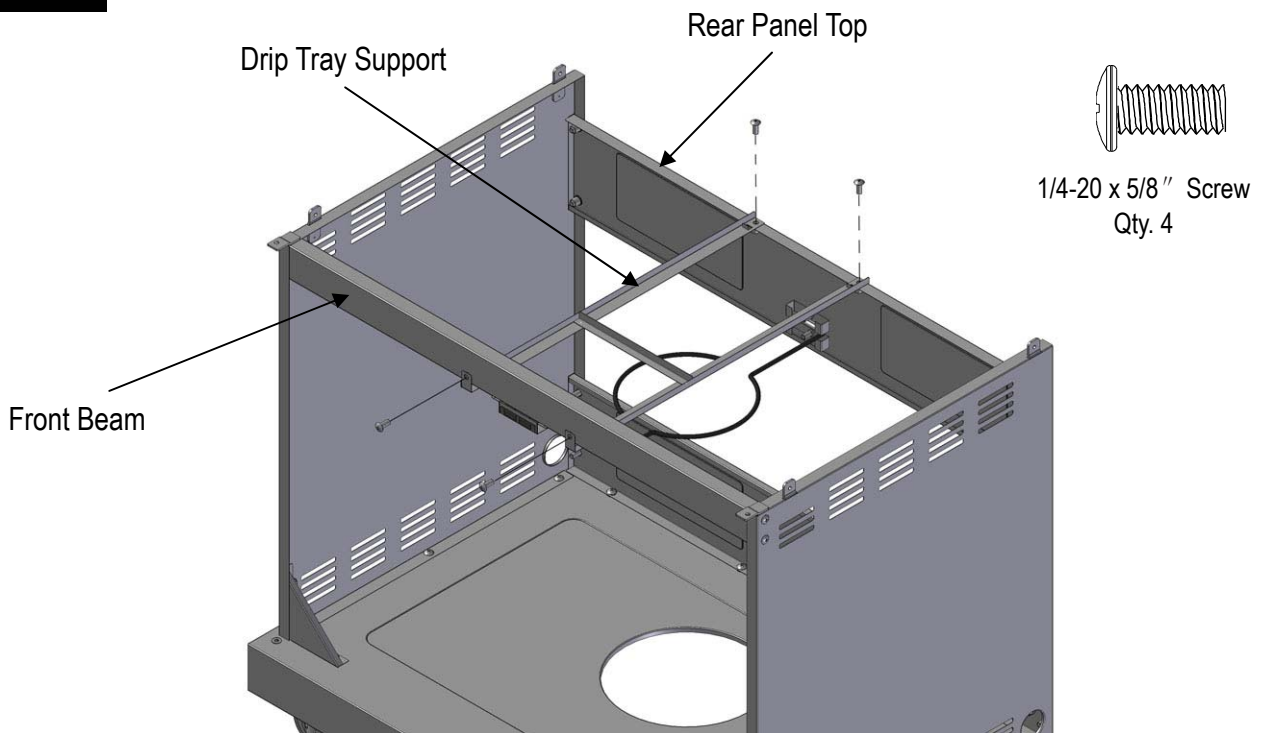
8

Attach front beam to side panels with 2 screws each as shown.



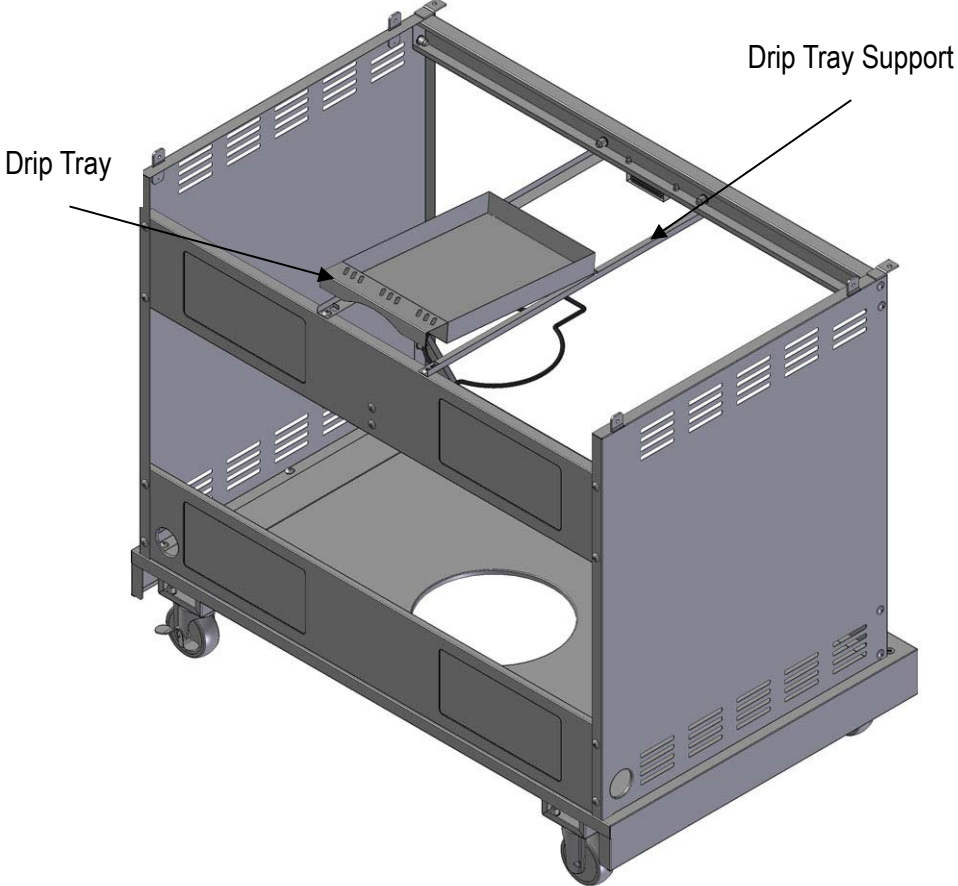
9

Attach the drip tray support to the front beam and rear panel top with 4 screws as shown.
NOTE: Drip tray tabs connect to outside of front beam.



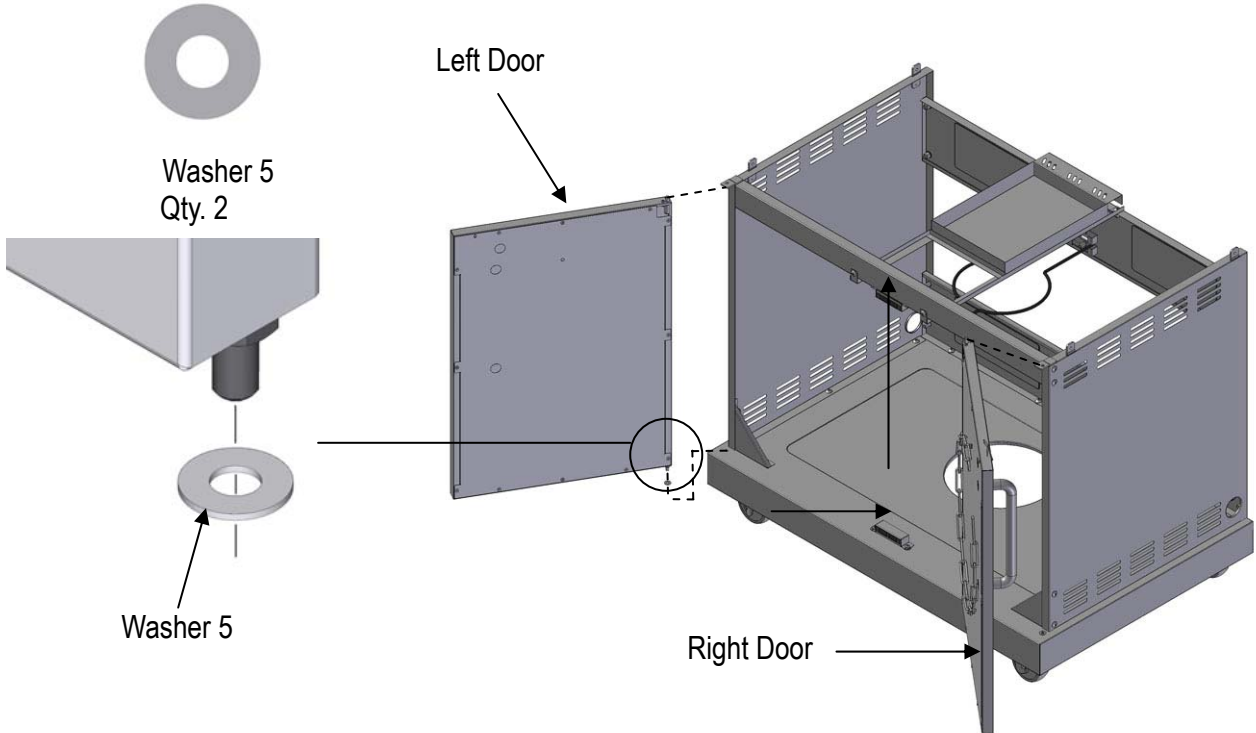
10

Slide the drip tray through the rear panel top and into the drip tray support as shown.



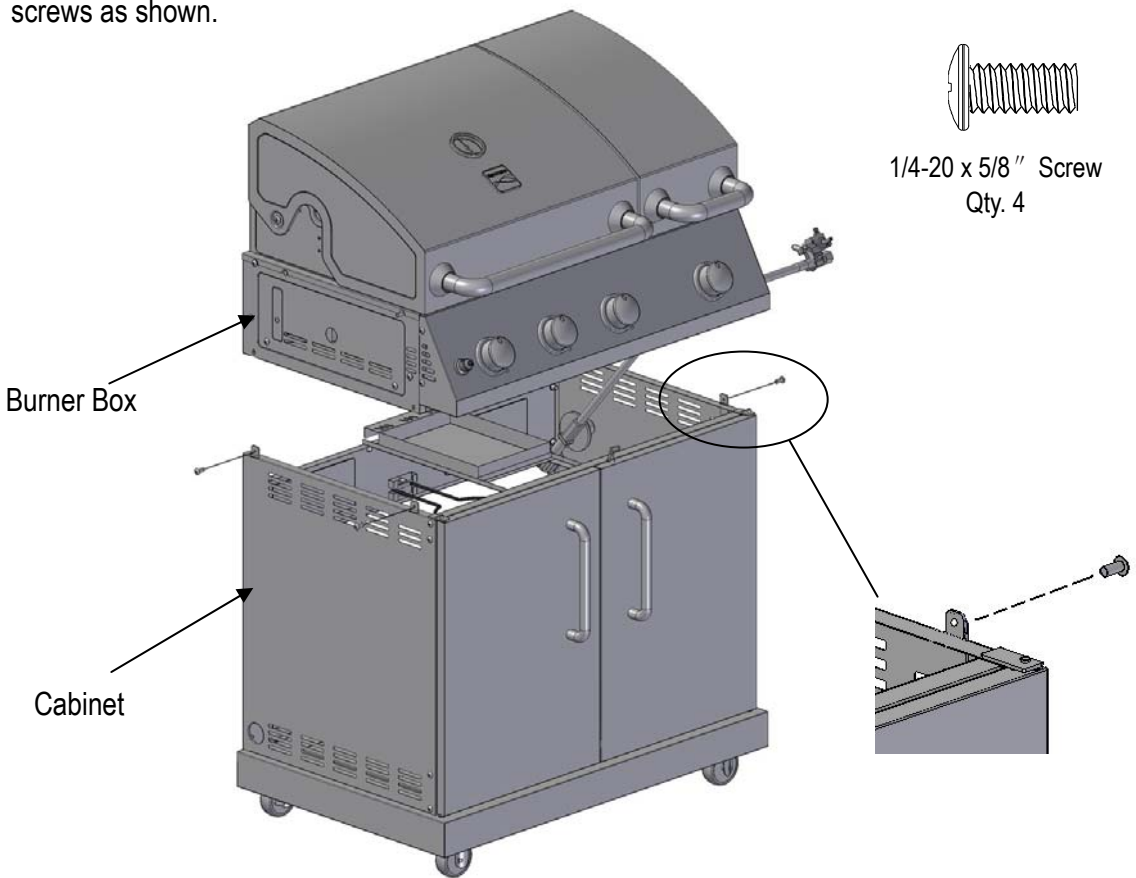
11

For each door, attach washer onto hinge pin, then insert bottom hinge pin into hole on bottom panel. Push down on top hinge pin to insert into hole in tab at top of side panel. Adjust magnets on the base panel and front beam to align the magnets with doors, then tighten magnets screws.



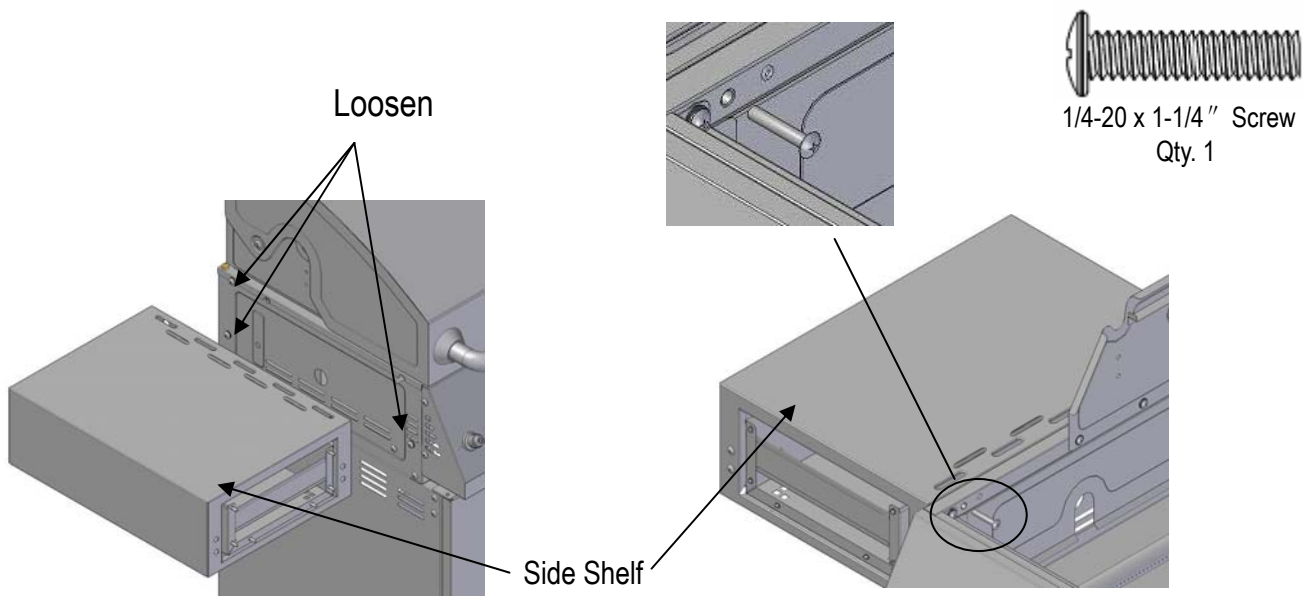
12

Cut tie wraps holding regulator and side burner valve in place underneath grill head control panel. Be careful not to cut igniter wires. With the aid of an assistant, lift and place grill head onto cabinet. Grill head sides go over attachment tabs on cabinet. Make sure that side burner valve and igniter wires hang outside the cabinet, and that regulator hangs inside cabinet. Attach head to cabinet with 4 screws as shown.

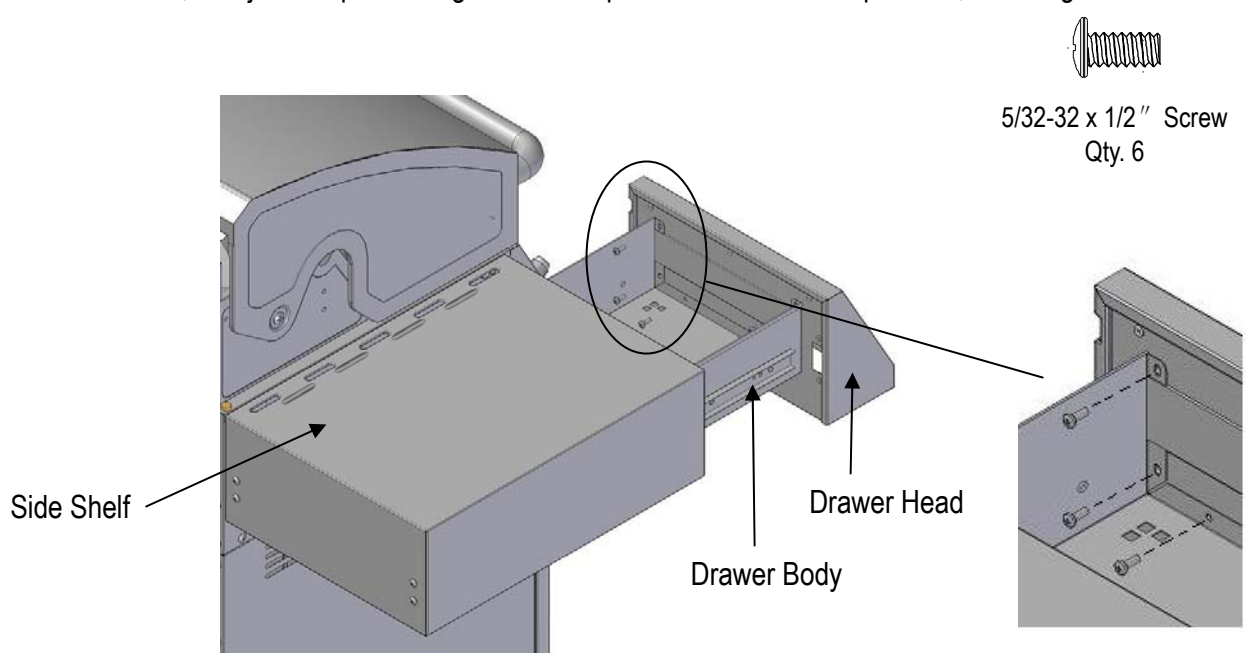


13

Loosen the three screws attached to the left panel of the burner box 3 to 4 turns as shown. Hang the side shelf by the slotted holes in its side onto the three loosened screws. Open the grill lid and use the screw to fasten the side shelf from the inside of the burner box as shown. Tighten the three previously loosened screws.

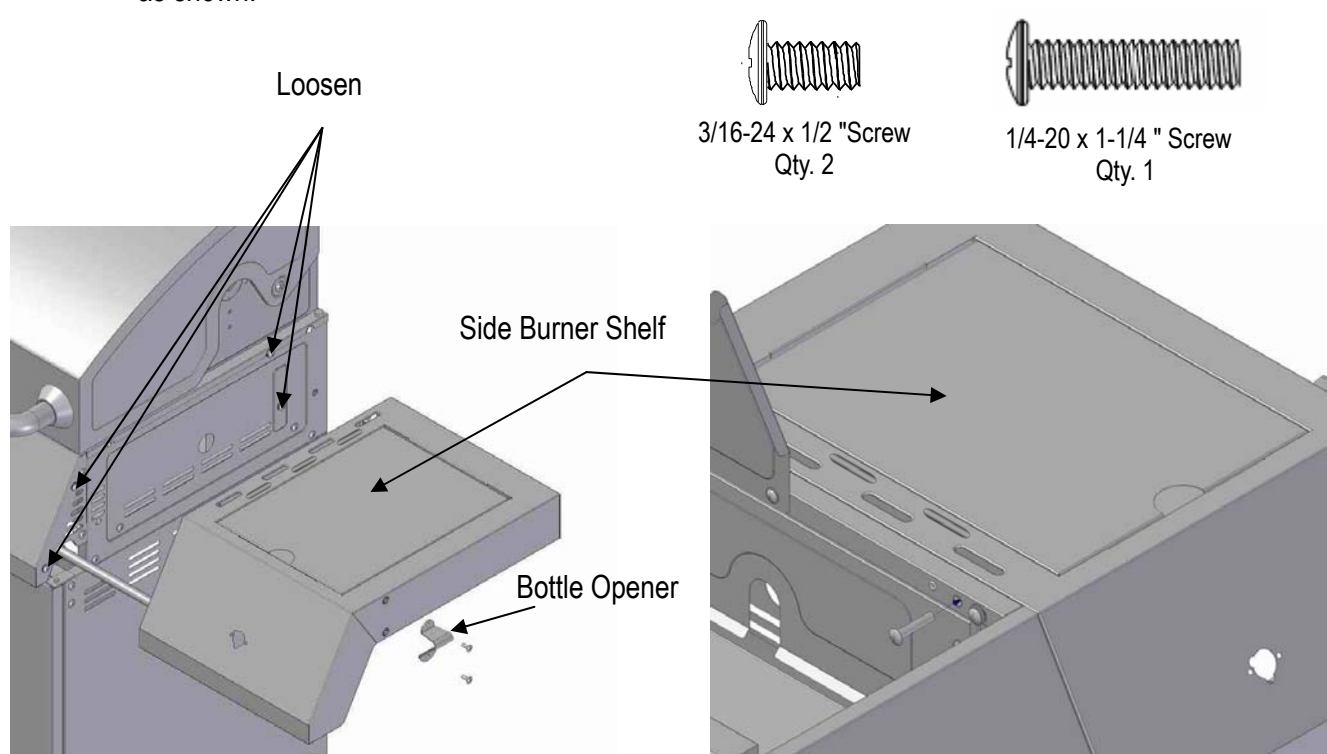


- 14** Pull drawer body out of the side shelf.
 Secure the drawer head to the drawer body with 3 screws on each side as shown.
 If there is any misalignment or interference in the operation of the drawer's front panel, loosen the 6 screws, readjust the positioning of the front panel to eliminate the problem, and retighten screws.



Side Burner Shelf

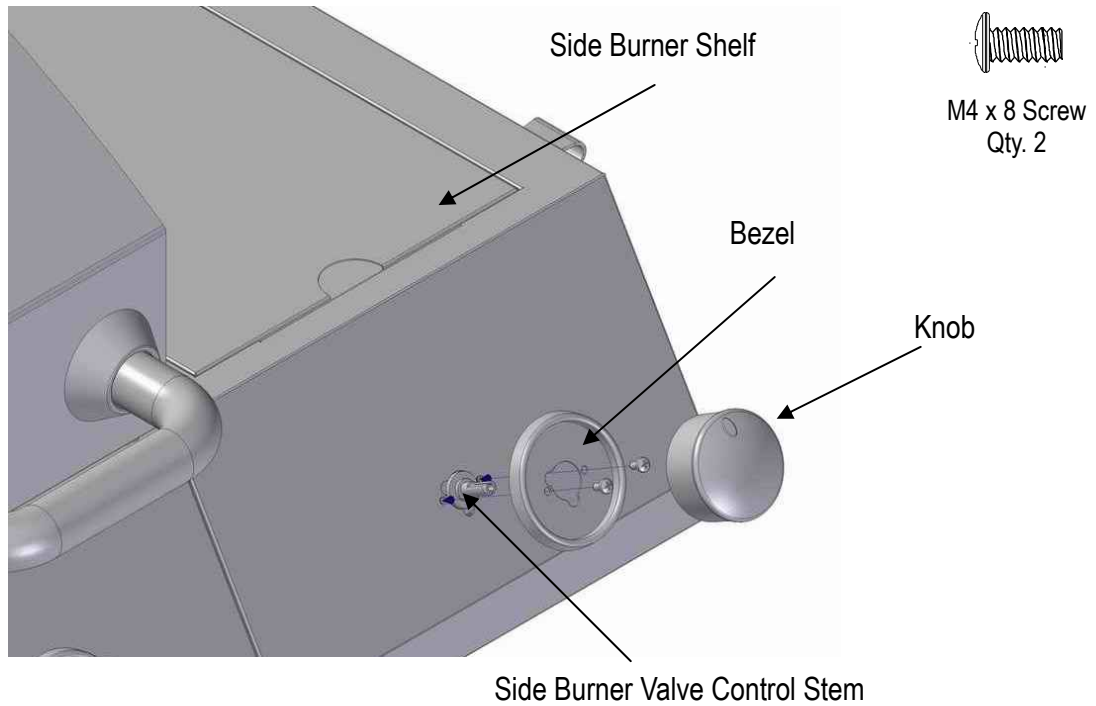
- 15** Loosen the four screws attached in the right panel of the burner box 3 to 4 turns as shown. Hang the side burner shelf by the slotted holes in its side onto the four loosened screws. Open the grill lid and use the single longer screw to fasten the side burner shelf from the inside of the burner box as shown. Tighten the four previously loosened screws. Attach bottle opener to side burner shelf with 2 screws as shown.



Side Burner Shelf

16

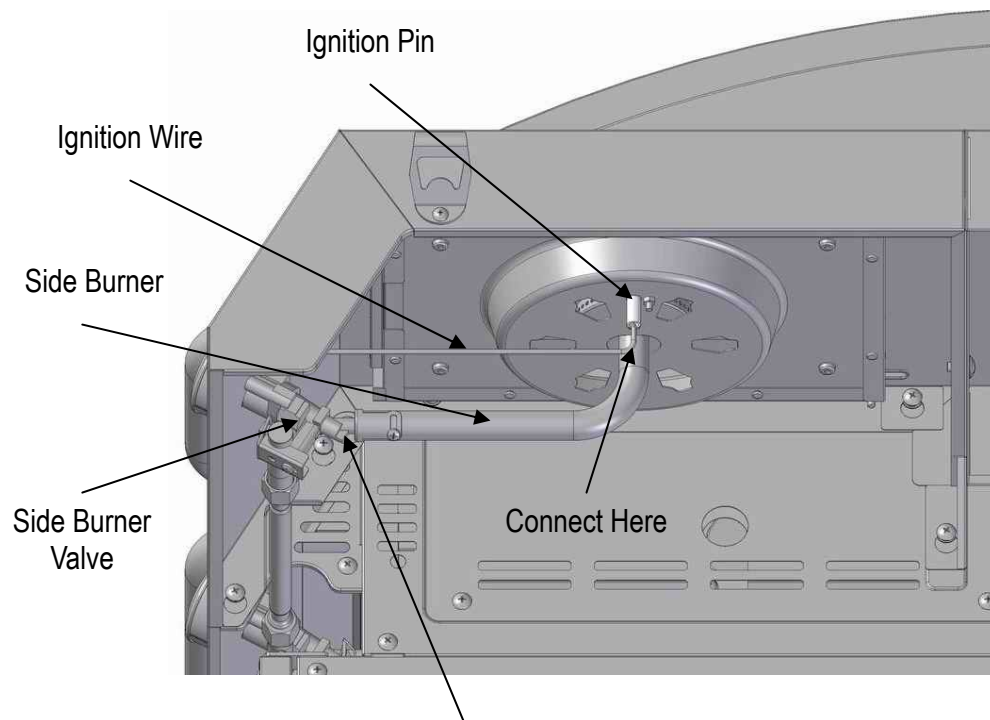
Loosen and remove the two screws holding side burner in place. Align the 2 bezel screw holes to those in side burner control panel. Insert the valve control stem through control panel and bezel main holes. Attach bezel to control panel and valve control stem with 2 screws as shown. Press Knob onto side burner valve control stem.



Side Burner Valve and Ignition Wire

17

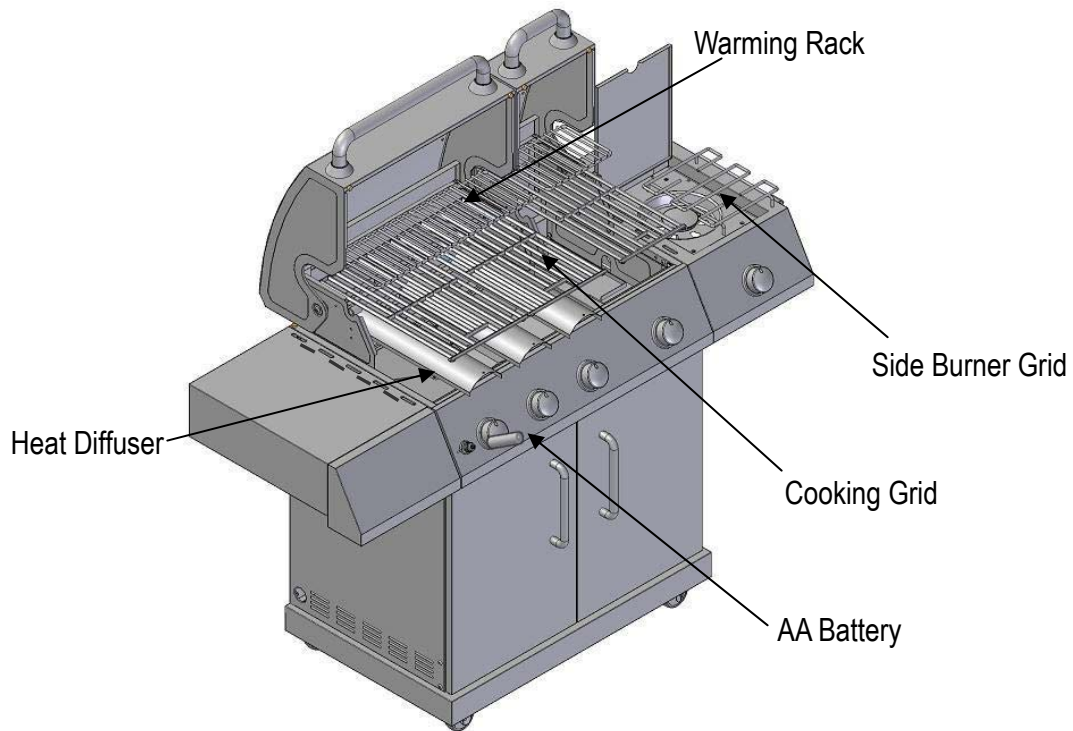
Insert side burner valve into side burner tube as shown. Reattach side burner to shelf with 2 previously removed screws. Connect the side burner ignition wire to the ignition pin.



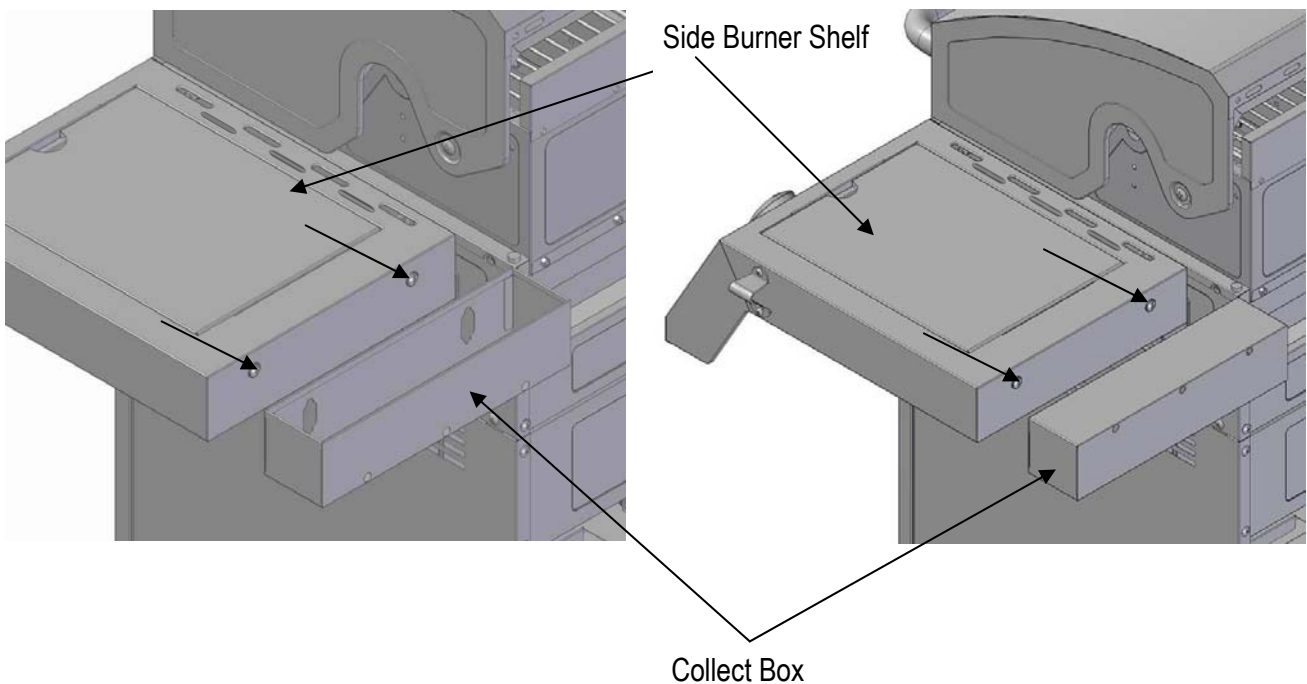
CAUTION: Make sure that valve is inside tube.

18**Install the Heat Diffusers, Cooking Grates and Warming Racks**

Position the heat diffusers, cooking grates and warming racks as shown. NOTE: The diffuser edges fit into slots at front and back of burner box. The rectangular hole in cooking grate goes to the front. Remove battery cap and insert AA battery with positive pole facing out. Replace cap.

**19****Collect Box**

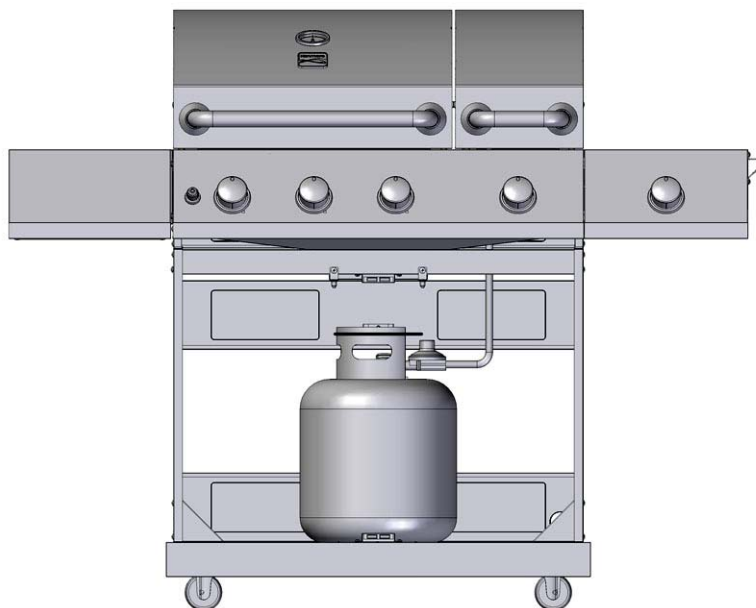
Align the collect box with the 2 round screw heads at the back of the side burner shelf, and push the box down to lock it in place. You may also invert the box and attach it to lengthen the shelf as shown.



LP Tank Installation

20

Open front doors of cabinet. Set base of tank into cabinet. Connect regulator to tank (see page 5 of Use and Care section).



Troubleshooting

Problem	Possible Cause	Corrective Action
Grill or side burner will not light	<ol style="list-style-type: none"> 1. The ignition wire came off the electrical igniter. 2. The distance between the ignition pin and the burner is greater than 0.1-0.2 inch(side burner). 3. The ignition wire is broken. 4. The battery has died. 5. The battery is in the wrong polarity. 6. The electrode tip does not produce sparks at the burner port. 7. No gas supplied. 8. Air shutter opening is too big. 	<ol style="list-style-type: none"> 1. Reconnect the ignition wire to the electrical igniter. 2. Loosen the ignition pin and adjust the distance, then fasten it again. 3. Call customer service for a replacement ignition wire. 4. Install a new AA battery. 5. Change the battery polarity. 6. Reinstall the electrode. 7. Turn on the regulator valve. 8. Loosen the air shutter and adjust the opening to a smaller size.
Burner flame is yellow and gas odor can be smelled	<ol style="list-style-type: none"> 1. The air shutter opening is not properly set. 2. Spiders or insects block the air shutter. 3. Gas leaks 	<ol style="list-style-type: none"> 1. Loosen the air shutter and adjust the opening to have blue flames. 1/4 in. opening for LPG. 1/8 in. or less opening for NG. 2. Clean blockages. 3. Check for the source of gas leaks.
Excessive flare-up	<ol style="list-style-type: none"> 1. Grilling fatty meats while knobs on "HIGH". 2. Spray water on gas flames. 3. Hood closed when grilling. 	<ol style="list-style-type: none"> 1. Grill fatty meats when the grids are cold while the knobs are on the "LOW" setting. Move the meats to the warming rack if flare up continues until flame settles down. 2. Never spray water on gas flames. 3. Hood up when grilling.
Burner blows out	<ol style="list-style-type: none"> 1. LP tank is empty. 2. Burner is not aligned with the control valve. 3. Gas supply is not sufficient. 	<ol style="list-style-type: none"> 1. Refill the LP Tank. 2. Install the burner correctly. 3. Check the gas supply hose and make sure there are no leaks and no knots.

Problem	Possible Cause	Corrective Action										
Low heat with the knob in "HI" position	<ol style="list-style-type: none"> 1. Low heat is found in natural gas models. 2. Ports are blocked. 3. LP tank has run out. 	<ol style="list-style-type: none"> 1. This model is set for 7 in. natural gas usage. Please check your natural gas supply system to have correct gas pressure. Regulator is not needed for NG model. Check the orifice if you installed NG nozzles. 2. Clear ports of any obstructions. 3. Refill the LP tank. 										
Low heat, natural gas	Gas pressure is significantly affected by gas line and length of gas line from house gas line.	<p>Check your gas line and make corrections by following the chart below.</p> <table border="1" data-bbox="914 775 1445 1106"> <thead> <tr> <th colspan="2" data-bbox="914 775 1445 846">From House to Grill</th> </tr> <tr> <th data-bbox="914 846 1106 904">Distance</th> <th data-bbox="1106 846 1445 904">Tubing Size</th> </tr> </thead> <tbody> <tr> <td data-bbox="914 904 1106 963">Up to 25 ft.</td> <td data-bbox="1106 904 1445 963">3/8 in. diameter</td> </tr> <tr> <td data-bbox="914 963 1106 1021">26 -50 ft.</td> <td data-bbox="1106 963 1445 1021">1/2 in. diameter</td> </tr> <tr> <td data-bbox="914 1021 1106 1106">51 -100 ft.</td> <td data-bbox="1106 1021 1445 1106">2/3 in. of run 3/4 in. 1/3 in. of run 1/2 in.</td> </tr> </tbody> </table>	From House to Grill		Distance	Tubing Size	Up to 25 ft.	3/8 in. diameter	26 -50 ft.	1/2 in. diameter	51 -100 ft.	2/3 in. of run 3/4 in. 1/3 in. of run 1/2 in.
From House to Grill												
Distance	Tubing Size											
Up to 25 ft.	3/8 in. diameter											
26 -50 ft.	1/2 in. diameter											
51 -100 ft.	2/3 in. of run 3/4 in. 1/3 in. of run 1/2 in.											
Low heat, LP gas	The propane regulator assembly incorporates an excess flow device designed to supply the grill with sufficient gas flow. Rapid changes in pressure can trigger the excess flow device, providing a low flame and low temperature.	<p>Please follow these instructions:</p> <ol style="list-style-type: none"> 1. Make sure all burners are "OFF". 2. Open the tank valve and wait 5 minutes. 3. Light the burner one at a time following the lighting instructions listed on the door liner 										
Sudden drop in gas flow or low flame	<ol style="list-style-type: none"> 1. Out of gas. 2. Excess flow valve tripped. 3. Vapor lock at coupling nut/LP cylinder connection. 	<ol style="list-style-type: none"> 1. Check for gas in LP cylinder. 2. Turn off knobs, wait 30 seconds and light grill. If flames are still low, turn off knobs and LP cylinder valve. Disconnect regulator. Reconnect regulator and leak test. Turn on LP cylinder valve, wait 30 seconds and then light grill. 3. Turn off knobs and LP cylinder valve. Disconnect coupling nut from cylinder. Reconnect and retry. 										

Get it fixed, at your home or ours!

Your Home

For troubleshooting, product manuals and expert advice:



www.managemylife.com

For repair – **in your home** – of **all** major brand appliances, lawn and garden equipment, or heating and cooling systems, **no matter who made it, no matter who sold it!**

For the replacement parts, accessories and owner's manuals that you need to do-it-yourself.

For Sears professional installation of home appliances and items like garage door openers and water heaters.

1-800-4-MY-HOME[®] (1-800-469-4663)

Call anytime, day or night (U.S.A. and Canada)

www.sears.com www.sears.ca

Our Home

For repair of carry-in items like vacuums, lawn equipment, and electronics, call anytime for the location of your nearest

Sears Parts & Repair Service Center

1-800-488-1222 (U.S.A.)

www.sears.com

1-800-469-4663 (Canada)

www.sears.ca

To purchase a protection agreement on a product serviced by Sears:

1-800-827-6655 (U.S.A.)

1-800-361-6665 (Canada)

Para pedir servicio de reparación a domicilio, y para ordenar piezas:

1-888-SU-HOGAR[®]

(1-888-784-6427)

www.sears.com

Au Canada pour service en français:

1-800-LE-FOYER^{MC}

(1-800-533-6937)

www.sears.ca

The Sears logo, featuring the word "Sears" in a large, stylized, serif font with a shadow effect.

® Registered Trademark / TM Trademark of KCD IP, LLC in the United States, or Sears Brands, LLC in other countries

® Marca Registrada / TM Marca de Fábrica de KCD IP, LLC en Estados Unidos, o Sears Brands, LLC in otros países

^{MC} Marque de commerce / ^{MD} Marque déposée de Sears Brands, LLC

Use & Care Guide
Manual de Uso y Cuidado
English / Español

Models/Modelos: 148.16656011



Kenmore®



Liquid Propane Gas Grill

Parilla a gas de propane liquido

P/N L3018S-1-Manual
Sears Brands Management Corporation
Hoffman Estates, IL 60179 U.S.A.
www.kenmore.com
www.sears.com



	PELIGRO	
<p>Si detecta olor a gas:</p> <ol style="list-style-type: none"> 1. Cierre el gas que va a la unidad. 2. Extinga cualquier llama expuesta. 3. Abra la tapa. 4. Si el olor continúa, manténgase alejado de la unidad y llame de inmediato a la compañía que le suministra el gas o al departamento de bomberos local. 		

	ADVERTENCIA	
<ol style="list-style-type: none"> 1. No almacene ni utilice gasolina ni otros líquidos o vapores inflamables cerca de esta ni de ninguna otra unidad. 2. No deberá almacenar cerca de la parrilla ni de ninguna otra unidad un cilindro de LP que no esté conectado para ser utilizado. 		



Llame al Centro de Servicio de Parrillas para obtener ayuda o repuestos

Si tiene dudas o necesita asistencia durante el ensamblaje, llame al **1-800-482-0131**. Hablará con un representante del fabricante de la parrilla, no con un empleado de Sears. Para pedir piezas nuevas llame a Sears al **1-800-4-MY-HOME**.

Registro del producto

IMPORTANTE: Llene la información sobre el registro del producto que aparece a continuación.

Nº del modelo _____
Nº de serie _____
Refiérase a la etiqueta de clasificación de la parrilla para el número de serie.
Fecha de compra _____



	PRECAUCIÓN	
<p>Para uso residencial únicamente. No utilice para cocción comercial.</p>		



Precauciones de seguridad para la instalación



- Utilice la parrilla, como la compró, sólo con gas LP (propano) y el ensamble de regulador/válvula que se suministra. Deberá comprar un kit de conversión para uso con gas natural.
- La instalación de la parrilla deberá conformarse con la normativa local, o en ausencia de esta, con la *Normativa Nacional para Combustible de Gas, ANSI Z223.1/NFPA 54, Normativa para instalación de gas natural y propano, CSA B149.1, o la Normativa para almacenaje y manejo de propano, B149.2, o la Norma para vehículos recreacionales, ANSI A 119.2/NFPA 1192, y CSA Z240 Serie RV, Normativa para vehículos recreacionales, según sea aplicable.*
- Todos los accesorios eléctricos (tales como el asador) deberán estar conectados a tierra de conformidad con las normativas locales o con la Normativa Nacional sobre Electricidad, *ANSI/NFPA 70 o la Normativa Canadiense de Electricidad, CSA C22.1. Conserve los cables eléctricos y/o las mangueras de suministro de combustible alejadas de las superficies calientes.*
- Esta parrilla tiene certificación de seguridad para uso en Estados Unidos y/o Canadá únicamente. No modifique para utilizar en cualquier otra ubicación. La modificación constituirá un riesgo a la seguridad.

Símbolos de seguridad

Los símbolos y recuadros que aparecen a continuación explican lo que cada enunciado significa. Lea y observe todos los mensajes que se encuentran a través del manual.

	PELIGRO	
<p>PELIGRO: Indica una situación de peligro inminente que, de no evitarse, resultará en muerte o lesiones graves.</p>		

	ADVERTENCIA	
<p>ADVERTENCIA: Indica una situación de peligro potencial que, de no evitarse, podría resultar en muerte o lesiones graves.</p>		

	PRECAUCIÓN	
<p>PRECAUCIÓN: Indica una situación potencialmente peligrosa o una práctica insegura la cual, de no evitarse, podría ocasionar lesiones menores o moderadas.</p>		

ÍNDICE

Para su seguridad	30
Centro de Servicio para la parrilla	30
Información de registro del producto	30
Símbolos de seguridad	30
Precauciones de seguridad para la instalación.	30
Garantía de la parrilla Kenmore	31
Uso y cuidado	32-38
Caja de conversión a gas natural	39
Notas	39
Lista de piezas	41
Diagrama de piezas	42
Ensamblaje	43-53
Solución de problemas	54-55

Acuerdos de protección para reparación

Felicitaciones por su compra inteligente. Su nuevo producto Kenmore® está diseñado y fabricado para brindarle años de funcionamiento confiable. Pero, como cualquier otro producto, puede que requiera reparaciones de cuando en cuando. Es allí cuando tener un Acuerdo de protección para reparación puede ahorrarle dinero y molestias.

Adquiera un Acuerdo de protección de reparación ahora y protéjase de molestias y gastos imprevistos.

He aquí lo que el acuerdo de protección para reparación incluye:

- Servicio experto** por parte de nuestros 10.000 especialistas profesionales de reparaciones.
- Servicio ilimitado sin cargo** para las piezas y mano de obra de todas las reparaciones amparadas.
- Reemplazo del producto** hasta \$1500 si el producto amparado no puede arreglarse.
- Descuento del 10%** del precio regular del servicio y las piezas relacionadas instaladas no amparadas por el acuerdo; también, 10% de descuento sobre el precio regular de las revisiones preventivas de mantenimiento.
- Ayuda telefónica rápida** – la llamamos Resolución Rápida – apoyo telefónico de un representante Sears. Piense en nosotros como un manual de servicio parlante.

Una vez que haya adquirido el Acuerdo de Protección para reparación, una simple llamada telefónica es todo lo que necesita para programar el servicio. Puede llamar en cualquier momento, de día o de noche, o programar una cita de servicio a través de Internet. El Acuerdo de Protección para reparación es una compra sin riesgos. Si cancela por cualquier razón durante el período de garantía del producto, le proporcionaremos un reembolso completo. O un reembolso prorrateado en cualquier momento después de que venza el período de garantía del producto. ¡Adquiera su Acuerdo de Protección para Reparación hoy mismo!

Ciertas limitaciones y exclusiones aplican.

Para precios e información adicional, llame al 1-800-827-6655.

Servicio de instalación Sears

Para la instalación profesional de electrodomésticos Sears, abridores de puertas de garaje, calentadores de agua y cualquier otro artículo grande en EE.UU., llame al

1-800-4-MY-HOME®

GARANTÍA

Garantía total Kenmore

Si esta parrilla presenta una falla originada por un defecto de material o mano de obra, dentro de un año a partir de la fecha de compra, llame al 1-800-4-MY-HOME® para obtener reparación gratis (o reemplazo si no fuese posible efectuar la reparación).

Garantía limitada en los quemadores

Durante diez años a partir de la fecha de compra, cualquier quemador de acero inoxidable que se oxide completamente será reemplazado sin costo. Después del primer año a partir de la fecha de compra, usted paga por la mano de obra si desea que se lo instalen.

Toda la cobertura de garantía excluye las baterías del encendedor y la pérdida de pintura de las partes de la parrilla, la decoloración o el óxido, los cuales son partes fungibles que pueden gastarse con el uso normal dentro del período de garantía, o son situaciones que podrían producirse por el uso normal, accidente o mantenimiento inadecuado.

Toda la cobertura de garantía queda anulada si la parrilla se utiliza para fines comerciales o en alquiler.

Toda la cobertura de garantía aplica únicamente si la parrilla se utiliza en Estados Unidos.

Esta garantía le otorga derechos legales específicos y es posible que usted goce de otros derechos que varían según el estado.

Sears, Roebuck and Co., Hoffman Estates, IL 60179

USO Y CUIDADO



PELIGRO



- **NUNCA** guarde un cilindro de repuesto de LP debajo ni cerca de la parrilla ni en un área encerrada



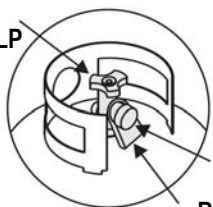
- **Nunca llene un cilindro a más del 80% de su capacidad.**
- **Si la información de los dos puntos anteriores no se sigue exactamente, puede ocurrir un incendio que ocasione la muerte o lesiones graves.**
- **Un cilindro que se haya llenado excesivamente o inadecuadamente almacenado es un peligro debido a la posibilidad de que la válvula de seguridad para alivio de la presión libere gas. Esto podría ocasionar un incendio intenso con riesgo de daños a la propiedad, lesiones graves o la muerte.**
- **Si ve, huele o escucha gas escapando, aléjese inmediatamente del cilindro de LP y de la parrilla y llame al departamento de bomberos.**

Remoción del tanque de LP, transporte y almacenaje

- Cierre (gire a OFF) todas las perillas de control y la válvula del tanque de LP. Gire la tuerca de acople en el sentido antihorario manualmente solamente – no utilice herramientas para desconectar. Levante el cable del tanque de LP de la anilla del tanque LP, luego levante el tanque y sáquelo del soporte. Instale la tapa de seguridad en la válvula del tanque de LP. Siempre utilice la tapa y la banda que se suministra con la válvula.

No utilizar la tapa de seguridad como se indica puede ocasionar lesiones personales graves y/o daño a la propiedad.

Válvula del tanque de LP



Tapa de seguridad

Banda retenedora

- Un tanque de LP desconectado para almacenar o transportar deberá tener colocada la tapa de seguridad (como se ilustra). No almacene un tanque de LP en espacios cerrados tales como un puesto de estacionamiento, garaje, porche, patio cubierto u otro edificio. Nunca deje un tanque de LP dentro de un vehículo que pueda recalentarse con el sol.
- No guarde un tanque de LP en un área donde jueguen los niños.

Cilindro de LP

- El cilindro de LP utilizado con su parrilla deberá cumplir con los siguientes requisitos:
- Utilice los cilindros de LP con estas medidas requeridas: 12" (30,5 cm) (diámetro) x 18" (45,7 cm) (alto) con 20 lb. (9,1 kg) de capacidad máxima.
- Los cilindros de LP deberán estar fabricados y marcados de acuerdo con las especificaciones para cilindros LP del Departamento de Transporte de EE.UU. (DOT) o para Canadá, CAN/CSA-B339, cilindros, esferas y tubos para transporte de mercancías peligrosas. Transport Canada (TC). Refiérase al anillo del cilindro LP para las marcas.
- La válvula del cilindro LP deberá tener:
- Salida tipo 1 compatible con el regulador o la parrilla.
- Válvula de alivio de la presión.
- Dispositivo de protección contra el sobrellenado con clasificación UL (OPD). Esta característica OPD de seguridad se identifica por una rueda manual triangular única. Utilice sólo los cilindros LP equipados con este tipo de válvula.
- El cilindro LP deberá estar acondicionado para salida de vapor e incluir un anillo para proteger la válvula LP del cilindro. Siempre conserve los cilindros LP en posición vertical durante el uso, tránsito o almacenaje.



Rueda manual

Cilindro de LP en posición vertical para la eliminación del vapor

LP (Liquefied Petroleum Gas)

- LP gas is nontoxic, odorless and colorless when produced. **For Your Safety**, LP gas has been given an odor (similar to rotten cabbage) so that it can be smelled.
- LP gas is highly flammable and may ignite unexpectedly when mixed with air.

Llenado del cilindro LP


- Utilice sólo distribuidores autorizados y experimentados.
- El distribuidor LP **deberá purgar el cilindro nuevo** antes de llenarlo.
- **El distribuidor NUNCA** deberá llenar el cilindro LP más del 80% del volumen del cilindro LP. El volumen de propano en el cilindro variará con la temperatura.
- Un regulador con escarcha indicará que está sobrellenado. Cierre inmediatamente la válvula del cilindro LP y llame al distribuidor de gas LP local para asistencia.
- No libere gas de propano líquido (LP) en la atmósfera. Esta es una práctica peligrosa.
- Para retirar el gas del cilindro LP, contacte a un distribuidor LP o llame a los bomberos locales para obtener asistencia. Revise el directorio telefónico bajo "Compañías de Gas" para el distribuidor de LP certificado más cercano.

Intercambio del tanque LP


- Muchos distribuidores que venden parrillas ofrecen la opción de reemplazar su tanque vacío de LP a través de un servicio de intercambio. Utilice sólo las empresas de intercambio con reputación que inspeccionan, llenan con precisión, prueban y certifican sus cilindros. **Intercambie su tanque sólo por un tanque equipado con la característica de seguridad OPD según se describe en la sección "Tanque LP" de este manual.**
- Siempre conserve los tanques LP nuevos e intercambiados en posición vertical durante el uso, transporte o almacenaje.
- **Haga la prueba de fugas en los tanques LP intercambiados ANTES de conectarlo a la parrilla.**

Prueba de fuga del tanque LP Para su seguridad

- La prueba de fuga deberá repetirse cada vez que se intercambia o se rellena un tanque de LP.
- No fume durante la prueba de fugas.
- No utilice una llama expuesta para revisar las fugas de gas.
- La parrilla deberá probarse en busca de fugas en exteriores, en un área bien ventilada, alejada de las fuentes de ignición tales como los aparatos de encendido a gas o eléctrico. Durante la prueba de fugas, mantenga la parrilla alejada de las llamas expuestas o chispas.
- Utilice una brocha limpia y una solución de 50/50 detergente suave y agua. Aplique la solución jabonosa en las áreas que indican las flechas de la figura. Las fugas se identifican mediante burbujas crecientes.

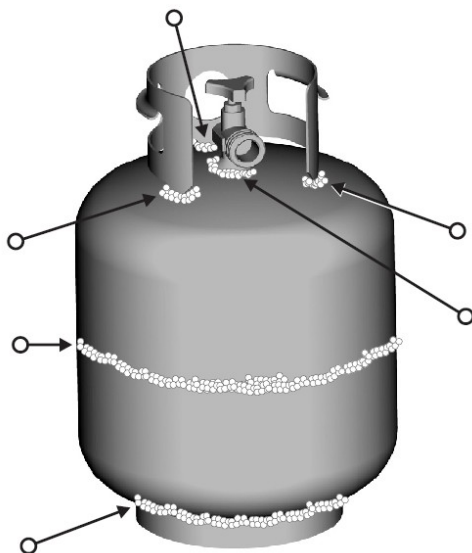


ADVERTENCIA



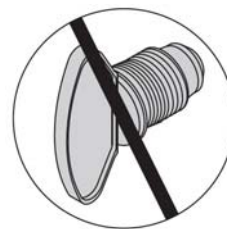
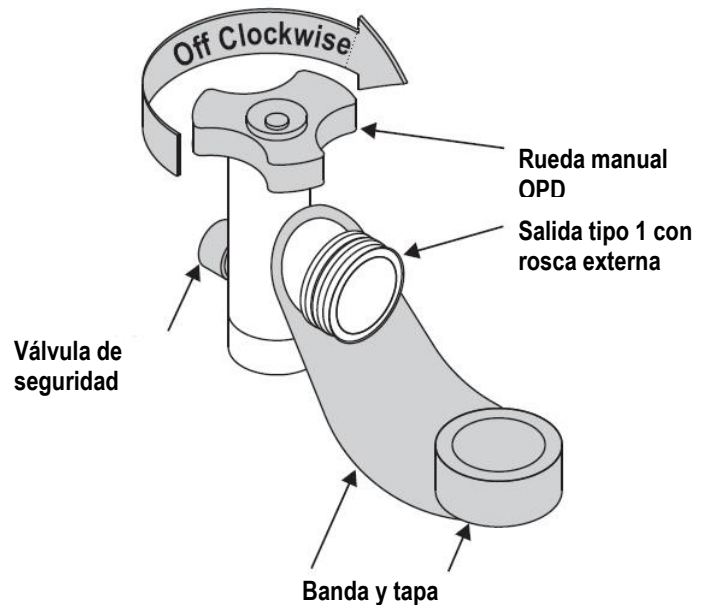
Si aparecen burbujas "creciendo" no utilice ni mueva el tanque de LP. ¡Contacte un distribuidor de gas LP o a los bomberos!

- ▲ No utilice agentes limpiadores domésticos. Podrían causar daños a los componentes y tuberías de gas (válvula/manguera/regulador).



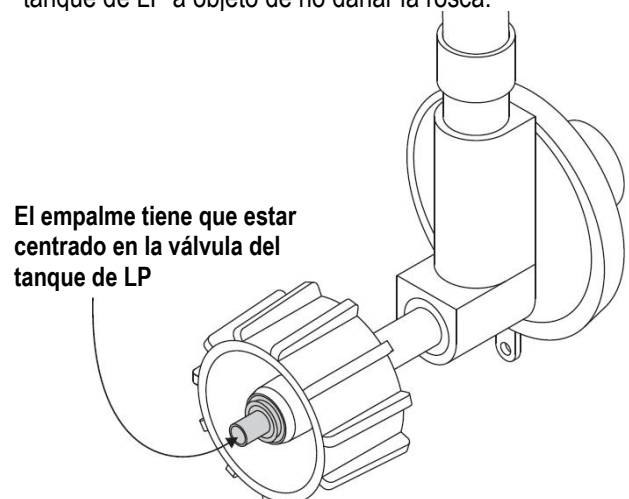
Cómo conectar el regulador al tanque de LP

1. El tanque de LP deberá estar adecuadamente fijado a la parrilla. (Refiérase a la sección de ensamblaje).
2. Gire todas las perillas de control a la posición OFF.
3. Coloque el tanque de LP en la posición OFF girando la rueda manual OPD en sentido horario hasta que se **detenga totalmente**.
4. Retire la tapa protectora de la válvula del tanque LP. Siempre utilice la tapa y la banda que se suministran con la válvula.

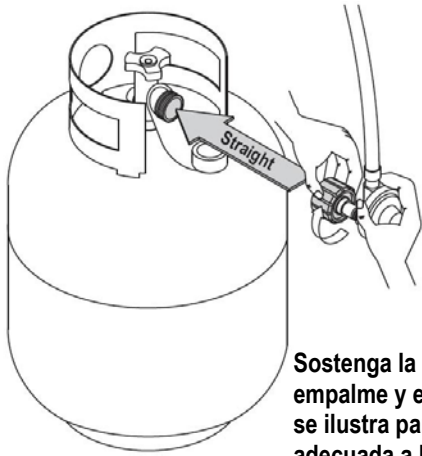


No inserte un tapón de transporte POL (pieza plástica con roscas externas) en la salida tipo 1 de la válvula del tanque. Anulará la función de la válvula de seguridad.

5. Sostenga el regulador e inserte el empalme en la válvula del tanque de LP. Apriete a mano la tuerca de acople, sosteniendo el regulador en línea recta con la válvula del tanque de LP a objeto de no dañar la rosca.



El empalme tiene que estar centrado en la válvula del tanque de LP



Sostenga la tuerca de empalme y el regulador como se ilustra para la conexión adecuada a la válvula del tanque de LP.

6. Gire la tuerca de acople en el sentido horario y apriete hasta que se detenga completamente. El regulador sellará en la función de disminución de flujo y revisión de la válvula amortiguadora del tanque de LP, lo cual ocasiona cierta resistencia. **Se necesita un giro adicional de mitad o tres cuartos para completar la conexión. Apriete a mano únicamente – no utilice herramientas.**

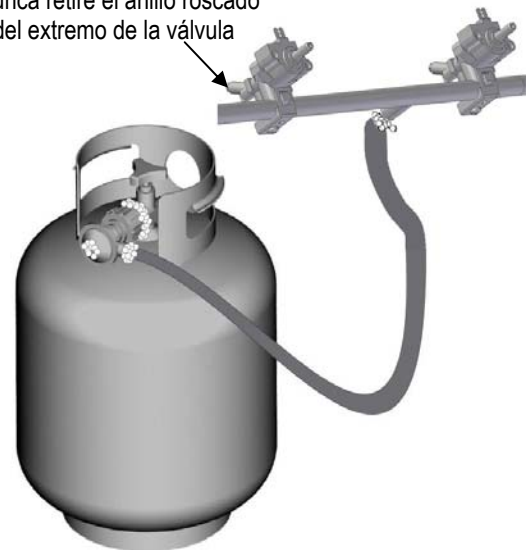
NOTA:

Si no puede completar la conexión, desconecte el regulador y repita los pasos 5 y 6. Si aún no puede concluir la conexión, **¡no utilice este regulador!** Llame al 1-800-482-0131 para obtener asistencia.

Válvulas para prueba de fugas, manguera y regulador

1. Gire todas las perillas de control de la parrilla a la posición OFF (cerrado).
2. Cerciérese de que el regulador esté conectado de forma bien ajustada al tanque de LP.
3. Abra completamente la válvula del tanque de LP girando la rueda manual OPD en el sentido antihorario. Si escucha un *sonido semejante a una ráfaga*, cierre el gas inmediatamente. Hay una fuga importante en la conexión. **Corrija antes de proceder** llamando a Sears para obtener piezas de repuesto al **1-800-4-MY-HOME®**.
4. Aplique la solución jabonosa con una brocha en las áreas donde aparecen burbujas en la ilustración:

▲ Nunca retire el anillo roscado del extremo de la válvula



5. Si aparecen burbujas que **“crecen”**, hay una fuga. Cierre la válvula del tanque de LP inmediatamente y vuelva a apretar las conexiones. Si no puede detener las fugas no trate de repararlas. Llame a Sears para pedir piezas de repuesto al **1-800-4-MY-HOME®**.
6. Siempre cierre la válvula del tanque de LP después de realizar la prueba de fugas, girando la rueda manual en el sentido horario.

PELIGRO

- No inserte ninguna herramienta ni objeto extraño en la salida de la válvula ni en la válvula de seguridad. Puede dañar la válvula y ocasionar una fuga. Las fugas de propano podrían ocasionar una explosión, incendio, lesiones personales graves o la muerte.

ADVERTENCIA

- Las unidades de gas para exteriores no están diseñadas para ser instaladas en un barco.
- Las unidades de gas para exteriores no están diseñadas para ser instaladas en vehículos recreacionales.
- Nunca intente fijar esta parrilla al sistema de gas LP autónomo de una caravana, remolque o casa rodante.
- No utilice la parrilla hasta que haya efectuado la prueba de las fugas.
- Si detecta una fuga en cualquier momento, PARE y llame a los bomberos.
- Si no puede detener una fuga de gas *inmediatamente* cierre la válvula del cilindro LP y ¡llame al distribuidor de gas o a los bomberos!

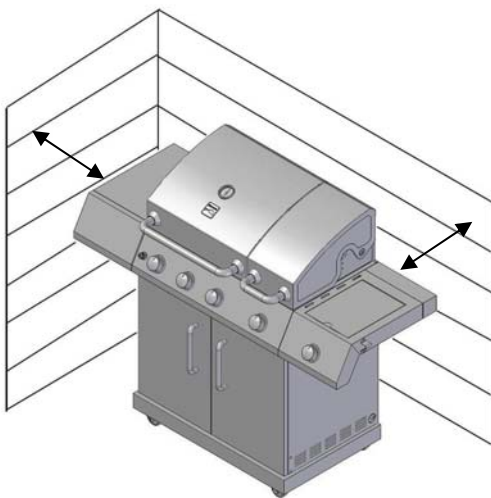


ADVERTENCIA



Para el uso seguro de su parrilla y para evitar lesiones graves:

- No permita que los niños hagan funcionar la parrilla ni deje que jueguen cerca de ella.
- Conserve el área de la parrilla despejada y sin materiales que pudiesen arder.
- No obstruya los agujeros de los costados o la parte posterior de la parrilla.
- Revise las llamas del quemador regularmente.
- Utilice la parrilla sólo en un espacio bien ventilado. NUNCA la utilice en un espacio cerrado tal como un puesto de estacionamiento, garaje, porche, patio cubierto o bajo una estructura de cualquier tipo.
- No use carbón ni briquetas de cerámica en una parrilla de gas. (A menos que las briquetas se suministren con su parrilla.)
- **Use la parrilla a una distancia de al menos 3' (91 cm) de cualquier pared o superficie.** Mantenga una separación de 10' (3 m) de los objetos que puedan incendiarse o de las fuentes de ignición como luces de encendido de calentadores de agua, electrodomésticos con conexión activa, etc.



• Ocupantes de apartamentos:

Revisen con la administración para conocer los requisitos y las normativas sobre incendio relativas al uso de una parrilla de gas LP en su complejo de apartamentos. Si se permiten, utilice fuera sobre piso de planta baja con una separación de 3 pies (91 cm) de paredes o barandas. No utilice en balcones o debajo de ellos.

- **NUNCA intente encender un quemador con la tapa cerrada. Una acumulación de gas sin encender dentro de una parrilla cerrada es peligrosa.**
- **Nunca haga funcionar la parrilla si el cilindro de LP no está en la posición correcta especificada en las instrucciones de ensamblaje.**
- **Siempre cierre la válvula del cilindro de LP y retire la tuerca de acople antes de mover el cilindro de la posición especificada para el funcionamiento.**

Consejos prácticos sobre seguridad

- ▲ Antes de abrir la válvula del cilindro de LP, verifique que la tuerca de acople esté bien apretada.
- ▲ Cuando la parrilla no esté en uso, cierre todas las perillas de control y la válvula del cilindro LP.
- ▲ Nunca mueva la parrilla mientras esté en funcionamiento o aún caliente.
- ▲ Utilice utensilios de mango largo para parrilla y guantes para horno para evitar quemaduras o salpicaduras.
- ▲ La carga máxima para el quemador lateral y el anaquel lateral es 10 lb (4,6 kg).
- ▲ La bandeja recolectora de grasa **deberá** estar insertada en la parrilla y vaciarse después de cada uso. No retire la bandeja de grasa hasta que la parrilla se haya enfriado completamente.
- ▲ Limpie la parrilla a menudo, preferiblemente después de terminar cada parrillada al aire libre. Si utiliza una brocha de cerdas para limpiar cualquiera de las superficies de cocción de la parrilla, cerciórese de no dejar cerdas sueltas en las superficies de cocción antes de asar. No se recomienda limpiar las superficies de cocción mientras estén calientes.
- ▲ Si observa grasa u otro material caliente goteando de la parrilla en la válvula, manguera o regulador, apague el suministro de gas inmediatamente. Determine la causa, corrija y limpie e inspeccione la válvula, manguera y regulador antes de continuar. Realice una prueba de fugas.
- ▲ Las aberturas de ventilación en el compartimiento del cilindro (en el carrito de la parrilla) deben mantenerse sin obstrucciones ni desechos.
- ▲ No almacene objetos ni materiales dentro del compartimiento del carrito de la parrilla que pudiesen bloquear el flujo del aire de combustión a la parte inferior del panel de control o del tazón de la cámara de combustión.
- ▲ El regulador puede hacer un sonido de silbido o zumbido durante el funcionamiento. Esto no afecta la seguridad ni el uso de la parrilla.
- ▲ Si tiene un problema con la parrilla, refiérase a la "Sección de solución de problemas".
- ▲ Si el regulador se congela, apague la parrilla y la válvula del cilindro de LP de inmediato. Esto indica un problema con el cilindro y no debe ser utilizado con ningún producto. ¡Regrese al distribuidor!



PRECAUCIÓN

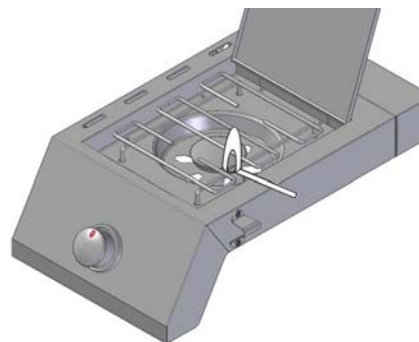


- **Apagar los incendios que produce la grasa cerrando la tapa no es posible. Las parrillas están bien ventiladas por razones de seguridad.**
- **No utilice agua en un incendio ocasionado por la grasa. Podrían ocurrir lesiones personales. Si se desarrolla un incendio originado por la grasa, gire las perillas y el cilindro de LP a la posición de apagado.**
- **No deje la parrilla desatendida mientras precalienta o limpia mediante el calor los residuos de comidas en "HI". Si la parrilla no se ha limpiado regularmente, puede ocurrir un incendio causado por la grasa que pudiera dañar el producto.**

Cómo encender la parrilla con el encendedor

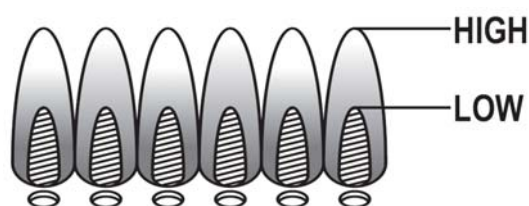
1. Lea las instrucciones antes de encender la parrilla.
2. Abra la tapa durante el encendido.
3. Abra la válvula del cilindro de LP o gas natural.

- Presione hacia adentro cualquier perilla de control del quemador y gire la perilla hacia la izquierda a la posición "HI". Continúe presionando la perilla hasta que el quemador se encienda.
- Si no enciende en 5 segundos, apague el control del quemador, espere 5 minutos para que se disipe el gas y repita el procedimiento de encendido.
- Para encender otros quemadores, repita el paso 4.
NOTA: Si el encendedor no funciona, siga las instrucciones de encendido con fósforos.



Revisión de la llama del quemador

- Retire las rejillas de cocción y los difusores de calor. Encienda los quemadores, gire las perillas de HIGH a LOW. Debe ver una llama más pequeña en la posición LOW que la que vio en HIGH. Efectúe una revisión de la llama del quemador en el quemador lateral también. Siempre revise la llama antes de cada uso.



Cómo apagar la parrilla

- Gire todas las perillas a la posición OFF. Coloque el tanque de LP en la posición OFF girando la rueda manual en sentido horario hasta que se detenga totalmente.

Revisión del encendedor

- Cierre el gas en el cilindro de LP.** Presione la perilla de control hacia adentro y gire la perilla hacia la izquierda a la posición "HI". Debe escuchar un "clic" y ver una chispa cada vez entre la caja colectora o el quemador y el electrodo. Refiérase a "Solución de problemas" si no escucha un clic ni ve una chispa.

Revisión de la válvula

- Importante: Cerciérese de que el gas esté apagado en el cilindro de LP antes de revisar las válvulas.** Las perillas trancan en la posición OFF. Para revisar las válvulas, primero presione las perillas hacia adentro y suelte, las perillas deben regresar hacia atrás mediante el resorte. Si no lo hacen, reemplace el ensamble de la válvula antes de utilizar la parrilla. Gire las perillas a la posición LOW y luego nuevamente a OFF. Las válvulas deben girar suavemente.

Revisión de la manguera

- Antes de cada uso, revise si las mangueras tienen algún corte o están gastadas. Cambie las mangueras gastadas antes de utilizar la parrilla. Utilice sólo piezas de repuesto idénticas para válvula/manguera/regulador según lo especificado en la Lista de piezas de esta guía de uso y cuidado.

Limpieza general de la parrilla

- No confunda la acumulación de grasa y humo marrón o negro con la pintura. El interior de las parrillas de gas no está pintado de fábrica (**y nunca debe pintarse**). Aplique una solución fuerte de agua y detergente o utilice un limpiador de parrilla con un cepillo para frotar en las partes internas de la tapa o la parte inferior de la parrilla. Enjuague y deje secar completamente al aire. **No aplique limpiador cáustico para parrilla/horno a las superficies pintadas.**

ADVERTENCIA

Apague (coloque en OFF) los controles y la alimentación de gas del tanque cuando no esté en uso.

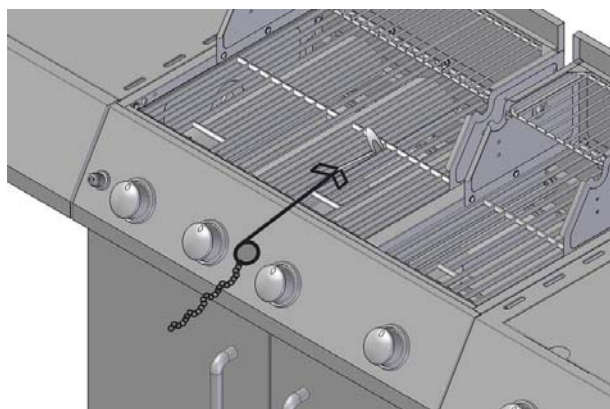
PRECAUCIÓN

Si no enciende en 5 segundos, apague el control del quemador, espere 5 minutos y repita el procedimiento de encendido. Si el quemador no enciende con la válvula abierta, el gas continuará fluyendo por el quemador y podría encenderse accidentalmente con el riesgo de lesiones.

Encendido con fósforos

▲ **No se incline sobre la parrilla para encenderla.**

- Abra la tapa durante el encendido.
- Coloque el fósforo en el portafósforos (que cuelga del costado del carrito). Encienda el fósforo, colóquelo en la cámara de combustión.
- Presione hacia adentro y gire la perilla derecha a la posición HIGH. Cerciérese de que el quemador prende y permanece encendido.
- Encienda otros quemadores presionando la perilla hacia adentro y girando a la posición HI.



Encendido del quemador lateral con fósforo

- Abra la tapa del quemador lateral. Abra el gas en el cilindro LP
- Coloque el fósforo encendido cerca del quemador.
- Gire la perilla del quemador lateral a HI. Cerciérese de que el quemador prende y permanece encendido.

- **Plastic parts:** Wash with warm soapy water and wipe dry. Do not use citrisol, abrasive cleaners, degreasers or a concentrated grill cleaner on plastic parts. Damage to and failure of parts can result.
- **Porcelain surfaces:** Because of glass-like composition, most residue can be wiped away with baking soda/water solution or specially formulated cleaner. Use nonabrasive scouring powder for stubborn stains.
- **Painted surfaces:** Wash with mild detergent or nonabrasive cleaner and warm soapy water. Wipe dry with a soft nonabrasive cloth.
- **Stainless steel surfaces:** To maintain your grill's high quality appearance, wash with mild detergent and warm soapy water and wipe dry with a soft cloth after each use. Baked-on grease deposits may require the use of an abrasive plastic cleaning pad. Use only in direction of brushed finish to avoid damage. Do not use abrasive pad on areas with graphics.
- **Cooking surfaces:** If a bristle brush is used to clean any of the grill cooking surfaces, ensure no loose bristles remain on cooking surfaces prior to grilling. It is not recommended to clean cooking surfaces while grill is hot.

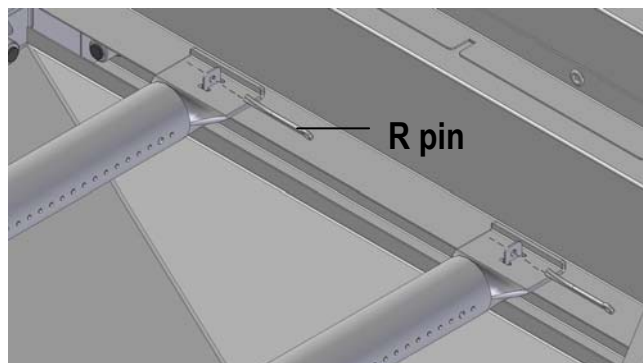
Storing Your Grill

- Clean cooking grates.
- Store in dry location.
- When LP cylinder is connected to grill, store outdoors in a wellventilated space and out of reach of children.
- Cover grill if stored outdoors. Choose from a variety of grill covers offered by manufacturer.
- Store grill indoors ONLY if LP cylinder is turned off and disconnected, removed from grill and stored outdoors.
- When removing grill from storage, follow "Cleaning the Burner Assembly" instructions before starting grill.

Cleaning the Burner Assembly

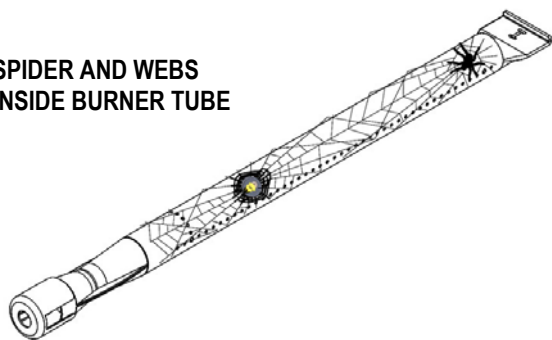
Follow these instructions to clean and/or replace parts of burner assembly or if you have trouble igniting grill.

1. Turn gas off at control knobs and LP cylinder.
2. Remove cooking grates and heat diffusers.
3. Remove R pins from rear of burners.
4. Carefully lift each burner up and away from valve openings.



SPIDER ALERT!

SPIDER AND WEBS INSIDE BURNER TUBE



If you notice that your grill is getting hard to light or that the flame isn't as strong as it should be, take the time to check and clean the burner tubes.

Spiders or small insects have been known to create "flashback" problems. The spiders spin webs, build nests and lay eggs in the grill's burner tubes obstructing the flow of gas to the burner. The backed-up gas can ignite in the burner tube behind the control panel. This is known as a flashback and it can damage your grill and even cause injury.

To prevent flashbacks and ensure good performance the burner and burner tube assembly should be removed from the grill and cleaned before use whenever the grill has been idle for an extended period.

We suggest three ways to clean the burner tubes. Use the one easiest for you.

(A) Bend a stiff wire (a light weight coat hanger works well) into a small hook. Run the hook through each burner tube several times.

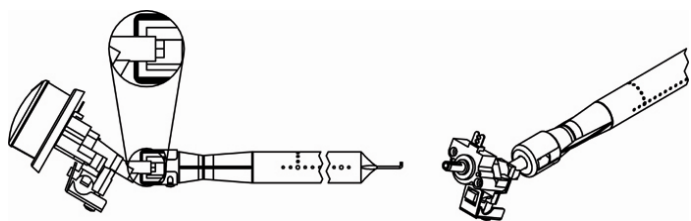


(B) Use a narrow bottle brush with a flexible handle (do not use a brass wire brush), run the brush through each burner tube several times.

(C) Wear eye protection: Use an air hose to force air into the burner tube and out the burner ports. Check each port to make sure air comes out each hole.

5. Wire brush entire outer surface of burner to remove food residue and dirt.
6. Clean any blocked ports with a stiff wire such as an open paper clip.
7. Check burner for damage, due to normal wear and corrosion some holes may become enlarged. If any large cracks or holes are found replace burner.

MUY IMPORTANTE: Los tubos del quemador deberán volverse a enganchar en las aberturas de las válvulas.



Enganche correcto quemador-válvula

Cocción indirecta

Las aves y los cortes grandes de carne se cocinan lentamente a la perfección en la parrilla mediante el calor indirecto. Coloque los alimentos sobre el(los) quemador(es) sin encender; el calor de los quemadores encendidos circula suavemente por toda la parrilla, cocinando la carne o las aves sin una llama directa. Este método disminuye enormemente las llamaradas cuando cocine cortes muy grasosos porque no hay llama directa que encienda la grasa ni los jugos que gotean mientras cocina.



Cocción con 1 quemador

Cocine con calor directo o indirecto.
Mejor para comidas o alimentos más pequeños
Consume menos combustible.

Instrucciones para cocción indirecta

- Siempre cocine con la tapa cerrada
- Debido a las condiciones climáticas, los tiempos de cocción pueden variar. En clima frío y con viento es posible que necesite aumentar la configuración de temperatura para lograr temperaturas de cocción.
- Coloque los alimentos sobre el(los) quemador(es) sin encender.



Cocción con 2 quemadores

Cocción indirecta estupenda a fuego bajo
Produce calor bajo y uniforme.
Ideal para asar a fuego lento y hornear.

Seguridad alimentaria

La seguridad alimentaria es una parte muy importante de disfrutar la experiencia de cocinar al aire libre. Para conservar los alimentos protegidos de las bacterias nocivas, siga estos cuatro pasos básicos:

Limpiar: Lávese las manos, los utensilios y superficies con agua caliente jabonosa antes y después de manipular carne o aves crudas.

Separar: Separe las carnes y aves crudas de los alimentos listos para comer para evitar contaminación cruzada. Utilice un plato y utensilios limpios para retirar los alimentos cocinados.

Cocinar: Cocine las carnes y aves completamente para matar las bacterias. Use un termómetro para comprobar las temperaturas internas adecuadas de los alimentos.

Refrigerar: Refrigere los alimentos preparados y las sobras rápidamente.

Para más información llame a: la línea de ayuda USDA sobre carne y aves al 1-800-535-4555 (en Washington, DC (202) 720-3333, 10:00 am-4:00 pm hora del este).

Cómo saber si la carne está totalmente asada

- La carne y las aves cocinadas a la parrilla a menudo se doran muy rápido por fuera. Use un termómetro de carnes para cerciorarse de que el alimento haya alcanzado una temperatura interna segura y haga cortes para observar señales visibles de cocción.
- Las aves completas deben alcanzar 180°F (82,2°C); pechugas, 170°F (76,7°C). Los jugos deben salir transparentes y la carne no debe estar rosada.
- Las hamburguesas hechas de carne molida o pollo deben alcanzar 160°F (71,1°C), y estar marrones al medio sin jugos rosados. La carne de res, ternera y cordero, los asados y las chuletas pueden cocinarse a 145°F (62,8°C). Todos los cortes de cerdo deben alcanzar 160°F (71,1°C).
- NUNCA ase parcialmente la carne o las aves y termine de cocinar más tarde. Cocine los alimentos completamente para destruir las bacterias nocivas.
- Cuando recaliente los alimentos preparados o las carnes completamente cocidas como perros calientes, ase a 165°F (73,9°C), o hasta que desprendan humo.

ADVERTENCIA: Para cerciorarse de que sean seguro para comer, los alimentos deberán estar cocinados a la temperatura interna mínima indicada en la tabla siguiente.

Temperaturas internas mínimas seguras según USDA*	
Pescado	145°F (62,8°C)
Cerdo	160°F (71,1°C)
Platos con huevos	160°F (71,1°C)
Bistés y asados o carne de res, ternera o cordero	145°F (62,8°C)
Carne de res, ternera o cordero molida	160°F (71,1°C)
Aves enteras (Pavo, pollo, pato, etc.)	165°F (73,9°C)
Aves molidas o en trozos (pechuga de pollo, etc.)	165°F (73,9°C)

*Departamento de agricultura de EE.UU.

Caja de conversión a gas natural

Para comprar las Piezas de conversión a gas natural llame a Sears al **1-800-4-MY-HOME**®

Kit de conversión a gas natural


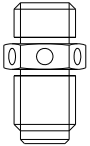
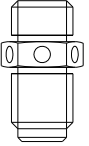
Modelo Kenmore # 10478

(Pieza del fabricante No.:L3018S-KIT or S3218A-KIT)

Su parrilla puede ser convertida a gas natural con este kit de conversión sólo por un técnico calificado. Para convertir esta parrilla el técnico necesitará este kit de conversión.

El L3018S-KIT está diseñado específicamente para esta parrilla y contiene todos los componentes necesarios para la conversión.

El kit 10478 contiene orificios de diferentes modelos de parrilla. Por favor, seleccione los orificios que se enumeran a continuación y desechar el resto. Siga las instrucciones de conversión incluidas en el kit.

Modelo	Quemador principal Φ1.37	Quemador de cocción Φ1.44	Quemador lateral Φ1.31
			
148.16656011	3	1	1

Manguera de extensión de 3,70 m de 3/8" de diámetro interior

Si convierte su parrilla a gas natural, en la mayoría de los casos el técnico necesitará la manguera de extensión de 3,70 m de 3/8" de diámetro interior, que se incluye en el kit para conversión a gas natural.



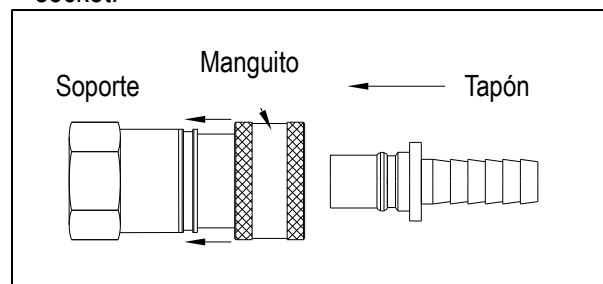
Notas

Preparación para la conexión a gas natural:

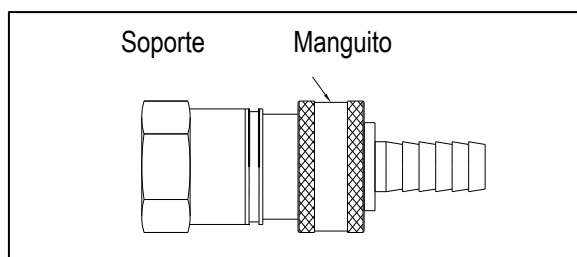
1. Cierre el suministro de gas y luego retire la tapa en el lado del suministro de gas.
2. Recomendado: Instale una válvula de cierre en el lado del suministro de gas antes de instalar el socket.
3. El socket debe ser instalado por un técnico autorizado, de acuerdo con el código nacional de gas combustible (NFPA 54/ANSI223.1).
4. Antes de insertar el tapón, abra el suministro de gas y verifique si las conexiones tienen fugas, incluyendo el vástago de la válvula de cierre y la apertura del socket. Para obtener mejores resultados, utilice una solución de jabón sin amoníaco y agua.

Instrucciones de funcionamiento:

1. Para conectar, presione hacia atrás el manguito del socket.



2. Inserte el tapón y libere el manguito.
3. Presione el tapón hasta que el manguito encaje adelante. (El gas fluirá automáticamente. No conectar el tapón al socket de forma adecuada podría impedir que el gas fluya hacia el electrodoméstico).



Para desconectar

1. Jale el manguito hacia atrás. Saque el tapón del socket. (El gas se corta automáticamente).
2. Cierre la válvula de cierre y reemplace las tapas para polvo en el socket y el tapón.

Exigencias respecto de la conexión de gas Gas PL

Si su parrilla funciona a gas PL, el regulador provisto está configurado para una columna de agua de 279,4 mm (mm.c.a.) y sólo se debe usar con gas PL. La manguera y

el regulador provistos de fábrica se deben usar únicamente con un tanque de gas PL de 9,10 kg.

Gas natural

Si la parrilla es para gas natural, está configurada para una columna de agua de 177,8 mm (mm.c.a.) y es sólo para uso con gas natural. La presión de gas se ve afectada por el tamaño y el largo de la línea de gas proveniente de la casa. Siga las recomendaciones del siguiente cuadro.

Desde la casa hasta la parrilla	
Distancia	Tamaño de las tuberías
Hasta 7,62 m	3/8" de diámetro
De 7,92 m a 15,24 m	1/2" de diámetro
15,54 m a 30,48 m	2/3" de trayecto: 3/4" de diámetro de 1/3" de trayecto: 1/2" de diámetro
Más de 30,78 m	3/4" de diámetro

Control de flujo excesivo y poco calor

El ensamble del regulador de propano incorpora un dispositivo de control de flujo excesivo diseñado para suministrar suficiente flujo de gas a la parrilla en condiciones normales y, al mismo tiempo, controlar el flujo de gas excesivo. Los cambios bruscos en la presión pueden activar el dispositivo de control de flujo excesivo, y producir una llama y temperatura bajas. Si abre la válvula del tanque para permitir el flujo de gas mientras la válvula del quemador está abierta, el aumento de presión activará el dispositivo. El dispositivo permanecerá cerrado hasta que la presión se regule. Esto debería ocurrir en el plazo de 5 segundos.

Para asegurarse de que esto no cause dificultad para encender la parrilla, siga estas instrucciones:

1. Asegúrese de que todas las válvulas del quemador estén en la posición "OFF" (CERRADO).
2. Abra la válvula del tanque y espere 5 segundos.
3. Encienda los quemadores uno a la vez siguiendo las instrucciones de encendido.

Consejos útiles de cuidado y mantenimiento

Antes de asar, precaliente la parrilla por 15 minutos en la posición "HI" ("ALTA") con la cubierta abajo. Para evitar llamaradas o llamas descontroladas producidas por grasa, ase la carne con la cubierta abierta. Cierre la cubierta si la carne es gruesa, el clima es frío o usa un rostizador o el método de cocción indirecta.

Siempre protéjase la mano con una agarradera o guante para cocinar al tomar contacto con una superficie caliente.

Suba la cubierta al asar carnes, especialmente pollo. Baje la cubierta al usar el método de cocción indirecta o un rostizador.

NUNCA deje la parrilla sin supervisión durante la cocción.

Después de usar, cierre la cubierta, ponga los quemadores en la posición HI durante 15 minutos para realizar una autolimpieza quemando la grasa.

Cuadro de tiempo de cuidado y mantenimiento

Parrilla	Frecuencia según el uso normal	Método de limpieza
Superficie pintada	Dos veces al año	Cera para automóviles
Superficie de acero inoxidable	Dos veces al año	Limpiador para acero inoxidable
Todas las rejillas	Después de cada uso	Queme y limpie
Rejillas de acero inoxidable	15 días	Apto para cepillo de alambre/lavaplatos
Rejillas de porcelana	15 días	Apto para frotar con agua jabonosa/lavaplatos
Cámaras de calor de quemadores	30 días	Cepillo de alambre
Quemadores	90 días	Cepillo de alambre
Interior de la caja del quemador	120 días	Productos de limpieza para el interior de parrillas (disponibles en Sears)

LISTA DE PIEZAS

Clave	Cant.	Descripción	Pieza del fabricante
1	1	MANIJA DE LA CUBIERTA (IZQ)	L3018S-00-4140
2	4	BASE DE LA MANIJA	L3018S-00-4102
3	1	CUBIERTA IZQUIERDA	L3018S-00-4110
4	1	INDICADOR DE TEMPERATURA	E3518-00-8002
5	1	ARANDELA	E3518-00-4009
6	1	CUBIERTA DERECHA	L3018S-00-4210
7	2	REJILLA DE COCCIÓN (QUEMADOR PPAL.)	L3018S-00-2001
8	1	REJILLA PARA CALENTAR IZQ.	L3018S-00-2020
9	1	REJILLA PARA CALENTAR DER.	L3018S-00-2030
10	1	REJILLA DE COCCIÓN (QUEMADOR PARA ASAR A FUEGO DIRECTO)	L3018S-00-2002
11	3	DIFUSOR DE CALOR	L3018S-00-2007
12	1	QUEMADOR SEAR	SH3118B-8002
13	1	PASADOR DE ENCENDIDO (QMDR SEAR)	L3018S-00-8006
14	1	PASADOR DE ENCENDIDO (QMDR PPAL)	L3018S-00-8003
15	1	PASADOR DE ENCENDIDO (QMDR PPAL)	L3018S-00-8002
16	1	PASADOR DE ENCENDIDO (QMDR PPAL)	L3018S-00-8001
17	3	QUEMADOR PRINCIPAL	L3018S-00-2700
18	3	PASADOR R	R-PIN
19	1	MANIJA DE LA CUBIERTA (DER)	L3018S-00-4240
20	1	CABEZAL DE GAVETA	L3018S-00-5210
21	1	CUERPO DE LA GAVETA	L3018S-00-5220
22	1	ANAQUEL LATERAL	L3018S-00-5100
23	2	MANGUITO DE LA CUBIERTA	E3518-00-0001
24	1	CAJA DEL QUEMADOR	L3018S-00-2000
25	1	REJILLA DEL QUEMADOR LATERAL	L3018S-00-6201
26	1	CUBIERTA DE COCCIÓN LATERAL	E3518-00-6001
27	1	EJE LATERAL DE ESTUFA	E3518-00-6002
28	1	CAJA RECOLECTORA	E3518-00-5002
29	1	ESTUFA LATERAL	L3018S-00-6100
30	1	PASADOR DE ENCENDIDO (QUEMADOR LATERAL)	L3018S-00-8005
31	1	QUEMADOR LATERAL	SH3118B-8030
32	1	ABRIDOR DE BOTELLAS	SH3118B-5010
33	1	VÁLVULA DE QUEMADOR LATERAL	L3018S-00-6600
34	5	GUARNICIÓN METÁLICA	E3518-00-3002
35	5	PERILLA	E3518-00-3001
36-1	1	MANGUERA DEL QUEMADOR PPAL.	L3018S-00-8009
37	1	REGULADOR DE PRESIÓN DE GAS LP	P3018-00-8017
38	1	COLECTOR	L3018S-00-3200
39	1	CAJA DE CONTROL	L3018S-00-3101

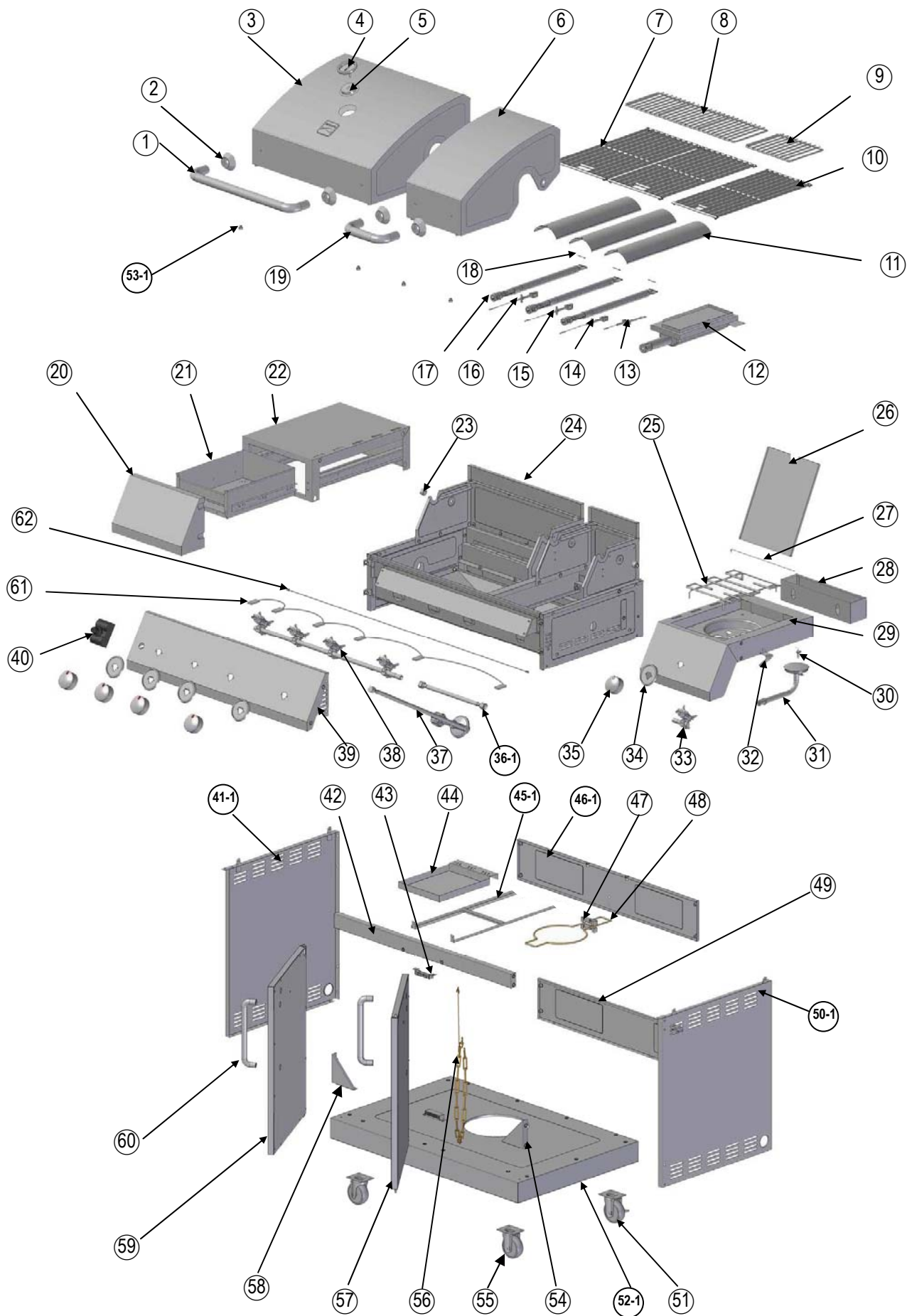
Clave	Cant.	Descripción	Pieza del fabricante
40	1	ENCENDEDOR ELÉCTRICO	L3018S-00-8007
41-1	1	PANEL IZQUIERDO	L3018S-01-1700
42	1	BARRA	L3018S-00-1300
43	2	IMÁN	L3018S-00-1310
44	1	BANDEJA RECOLECTORA	P3018-00-1002
45-1	1	SOPORTE DE BANDEJA RECOLECTORA	L3018S-00-1900
46-1	1	PARTE SUPERIOR DEL PANEL TRASERO	L3018S-01-1500
47	1	SOPORTE DEL ARO DEL TANQUE	E3518-00-1202
48	1	ARO DEL TANQUE	P3018-00-1203
49	1	PARTE INFERIOR DEL PANEL POSTERIOR	L3018S-00-1200
50-1	1	PANEL DERECHO	L3018S-01-1800
51	2	RUEDA CON BLOQUEO	L3218-00-8013
52-1	1	PANEL INFERIOR	L3018S-01-1110
53-1	4	TAPÓN DE GOMA	3219B-8082
54	1	SOPORTE DEL PANEL LATERAL (DERECHO)	L3018S-00-1020
55	2	RUEDA	L3218-00-8012
56	1	ENCENDEDOR MANUAL	3019L-1710
57	1	PUERTA DERECHA	L3018S-00-1600
58	1	SOPORTE DEL PANEL LATERAL (IZQUIERDO)	L3018S-00-1010
59	1	PUERTA IZQUIERDA	L3018S-00-1400
60	2	MANIJA DE LA PUERTA	L3018S-00-1410
61	1	CABLE DE ENCENDIDO (QUEMADOR PRINCIPAL)	L3018S-00-8004
62	1	CABLE DE ENCENDIDO (QUEMADOR LATERAL)	P3018-00-8002-A
	1	PAQUETE DE ADITAMENTOS	L3018S-1-HARDWARE
	1	MANUAL DEL PRODUCTO	L3018S-1-MANUAL

Si hay accesorios faltantes o dañados después de desempacar la parrilla, llame al 1-800-482-0131 para obtener un reemplazo.

Para pedir piezas de repuesto después de usar la parrilla llame a Sears al 1-800-4-MY-HOME.

NOTA: Algunas piezas de la parrilla que se ilustran en los pasos del ensamblaje pueden diferir ligeramente en apariencia con respecto a su modelo en particular. Sin embargo, el método de ensamblaje es el mismo.

DIAGRAMA DE LAS PIEZAS



CÓMO DESEMPACAR

Después de retirar todas las piezas de la parte superior de la caja del embalaje y cuando la única parte que quede sea el cabezal de la parrilla, utilice un cuchillo para rasgar los costados de la caja. Tenga cuidado con las grapas que se encuentran en los bordes de la caja de embalaje.

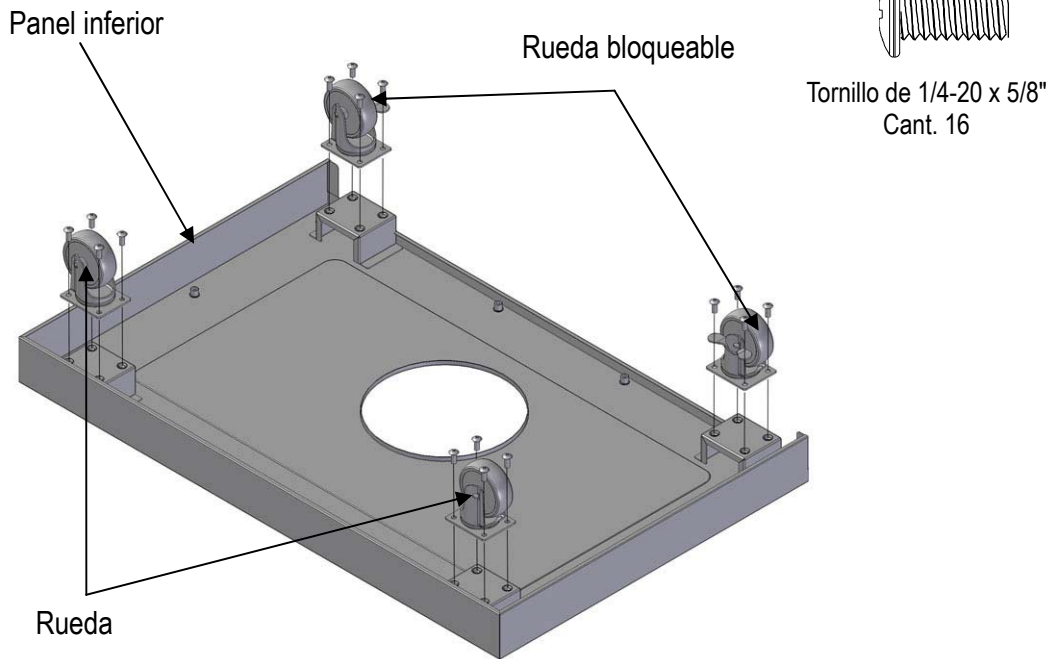
Retire el empaque de poliestireno para acceder al cabezal de la parrilla.

Abra las tapas de la parrilla y retire todas las piezas empacadas y el material de empaque.

ADVERTENCIA: Ensamble y coloque la parrilla en una superficie plana y nivelada. Compare las piezas y los accesorios con la lista y los diagramas. No intente ensamblar si hay partes faltantes o dañadas.

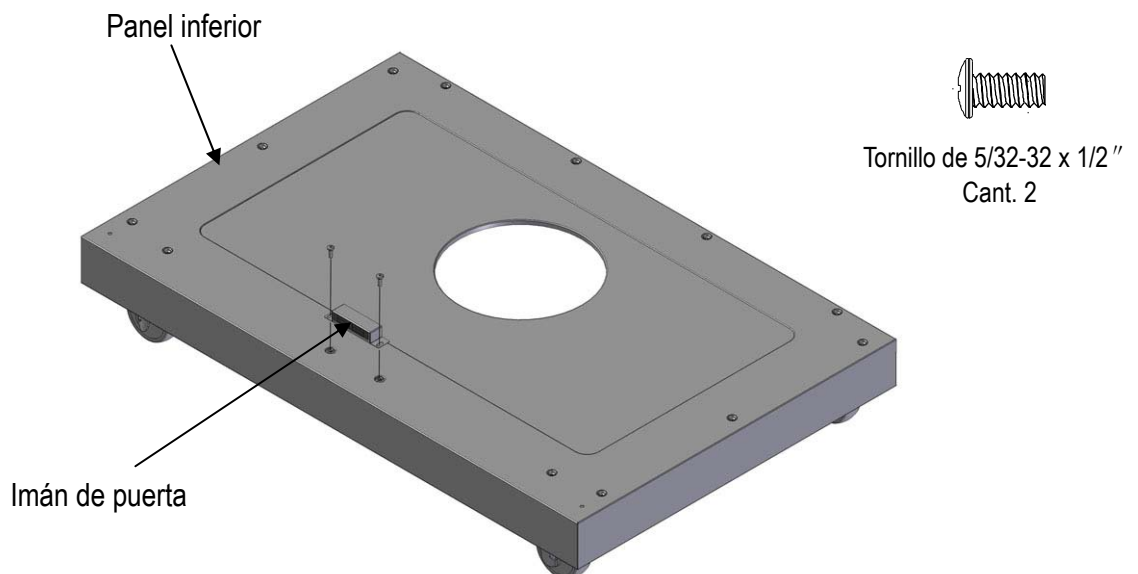
1

Fije las ruedas al panel inferior con 4 tornillos cada una como se ilustra. Fije las dos ruedas con bloqueo en la parte posterior de la parrilla. Después de fijar todas las ruedas, déle vuelta al panel inferior.



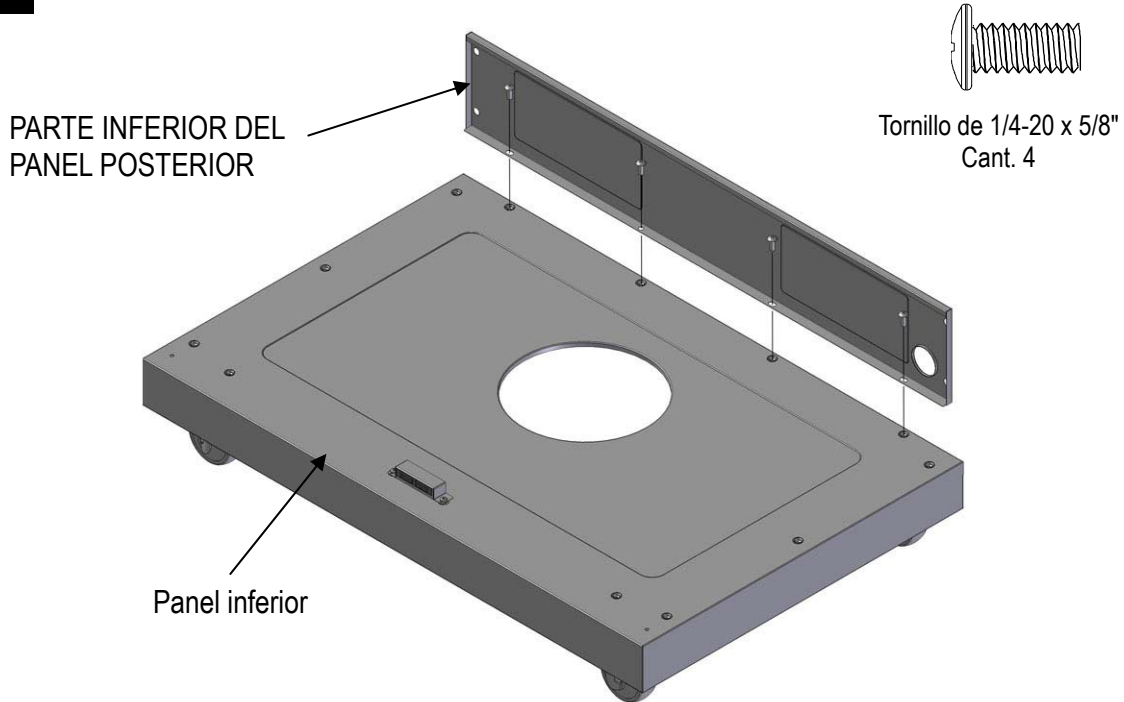
2

Fije el imán de la puerta a los agujeros al frente del panel inferior con 2 tornillos. No apriete completamente en este momento.



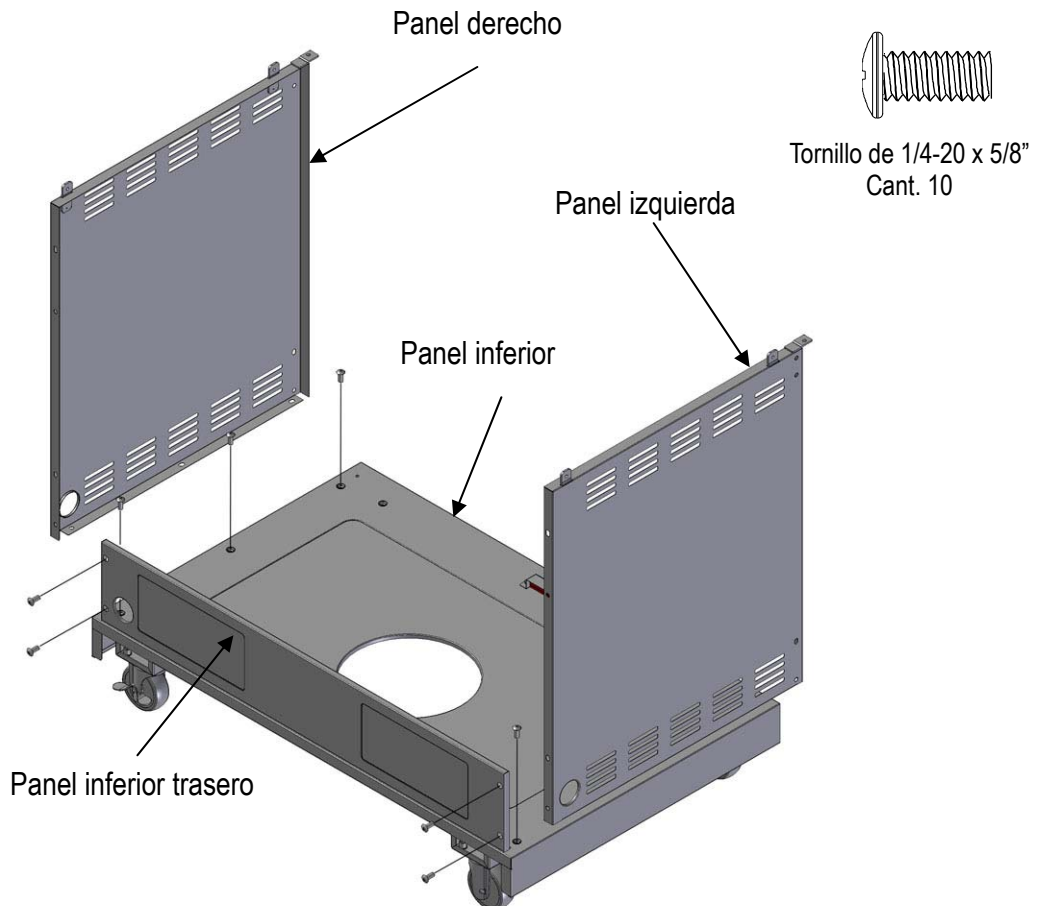
3

Fije el panel posterior al panel inferior con 4 tornillos como se ilustra.



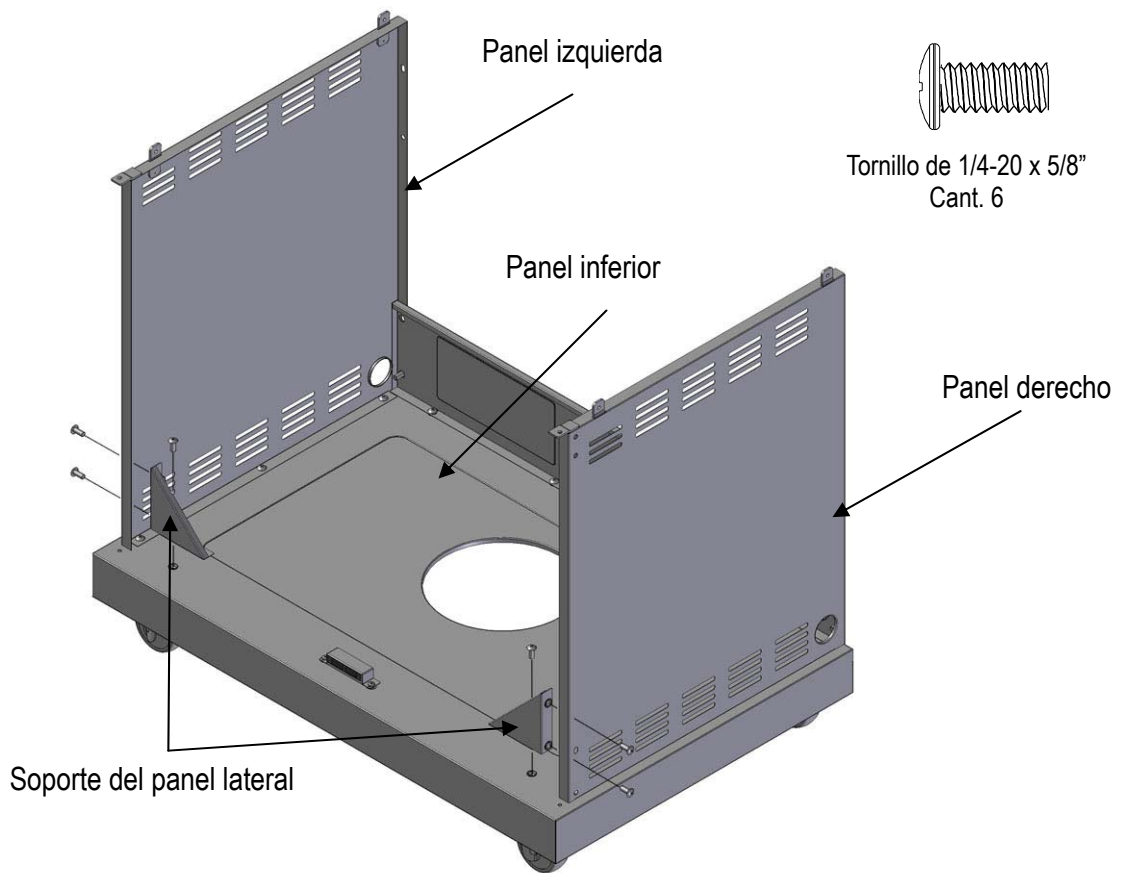
4

Fije los paneles laterales al panel inferior como se ilustra. Para cada panel lateral, hay dos tornillos para el panel posterior y tres para el inferior. Inserte primero los tres tornillos del panel inferior.



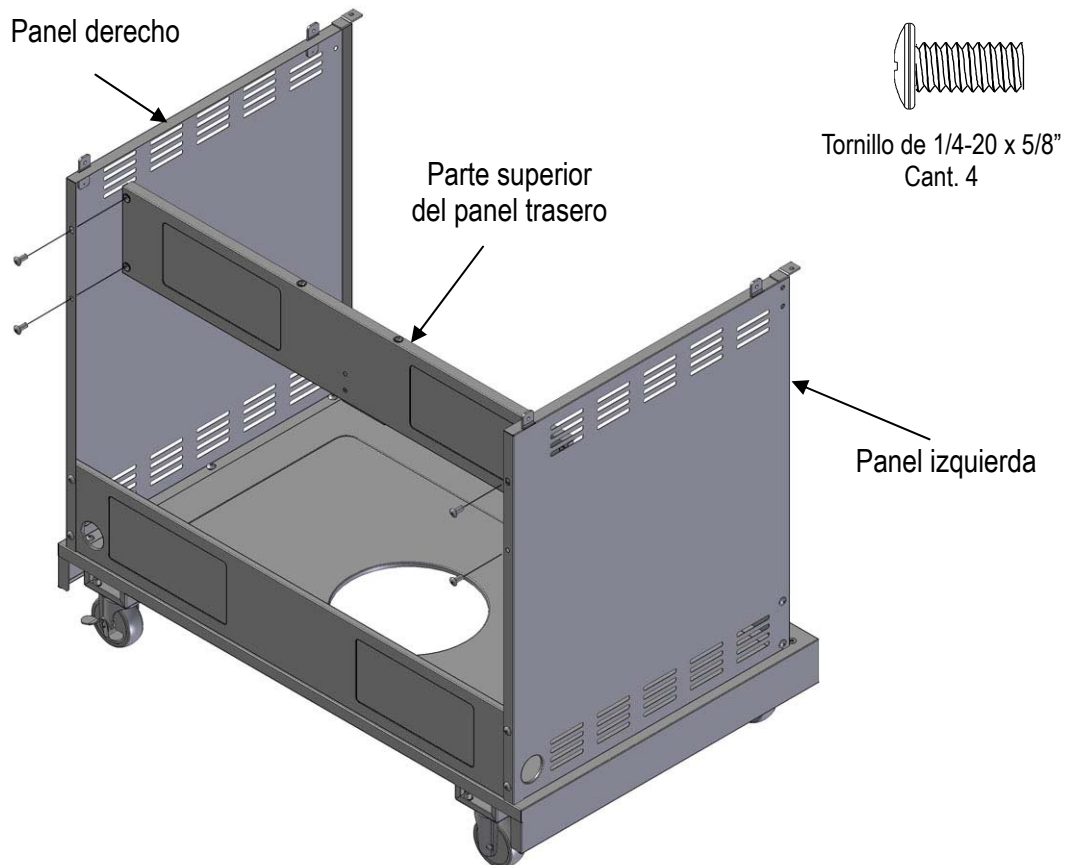
5

Fije los soportes del panel lateral a los paneles laterales y al panel inferior con 3 tornillos cada uno como se ilustra.

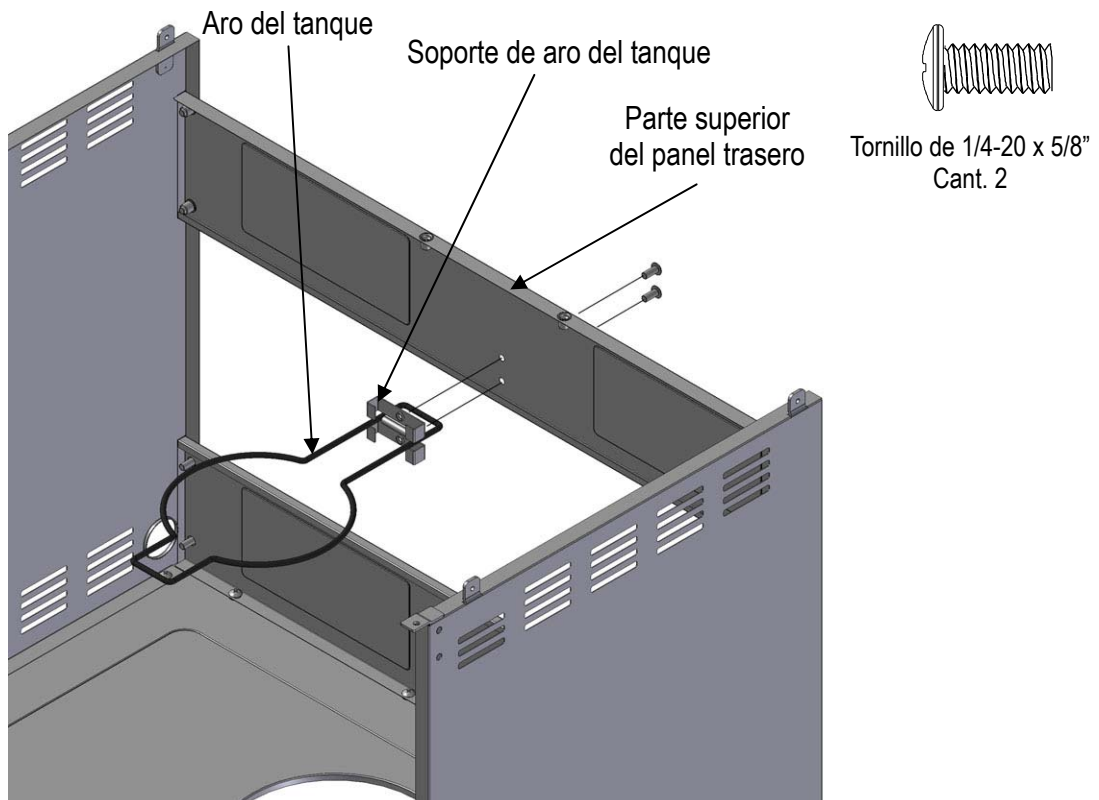


6

Fije la parte superior del panel posterior a los paneles laterales con 2 tornillos cada uno como se ilustra.

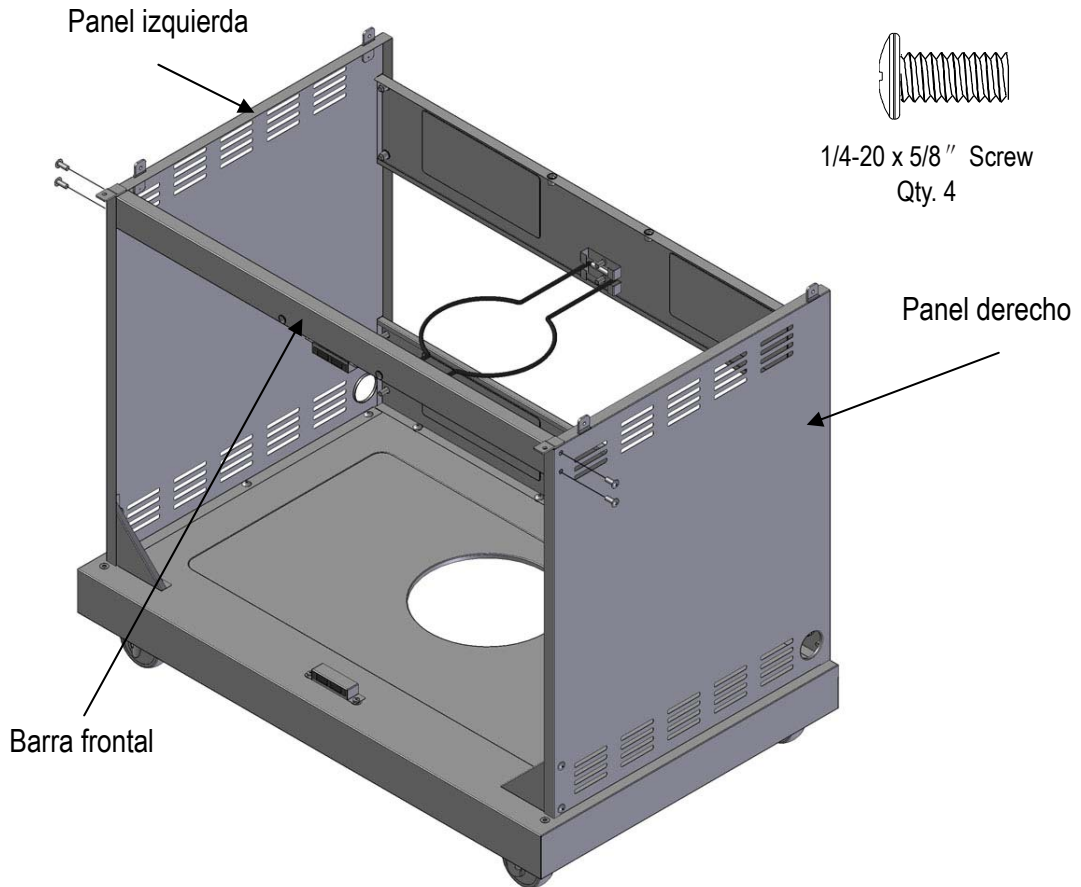
**7**

Deslice el soporte del aro del tanque en el extremo del aro del tanque como se ilustra. Fije el soporte a la parte superior del panel posterior con 2 tornillos cada una como se ilustra.



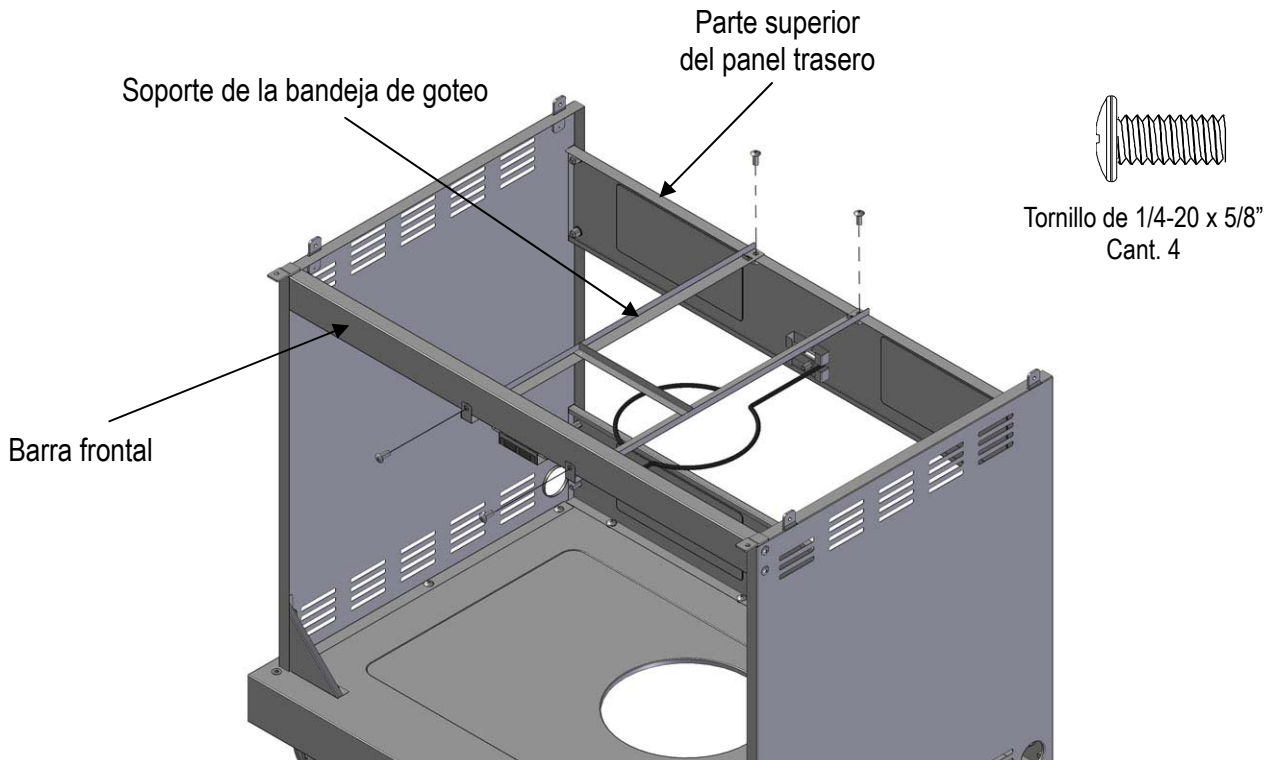
8

Fije la barra frontal a los paneles laterales con 2 tornillos cada uno como se ilustra.



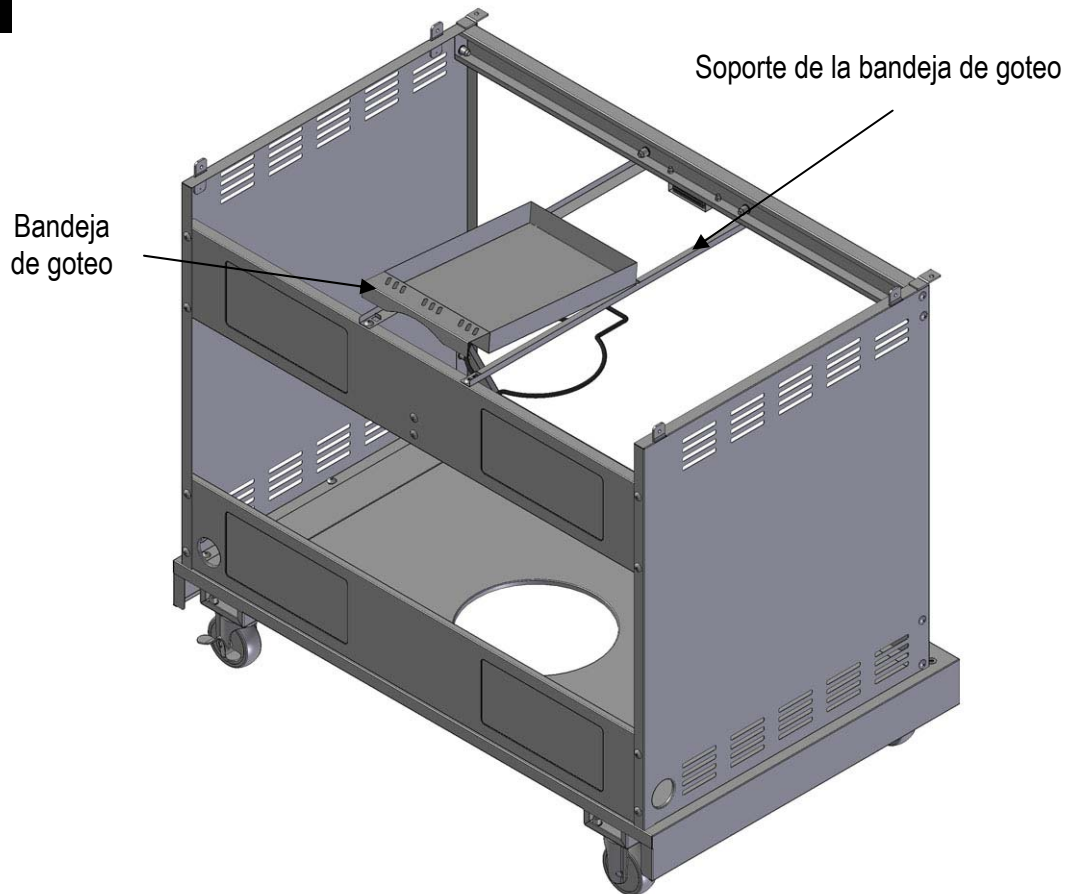
9

Fije el soporte de la bandeja recolectora a la barra frontal y a la parte superior del panel posterior con 4 tornillos como se ilustra. NOTA: Las pestañas de la bandeja de goteo se conectan a la parte de afuera de la barra frontal.

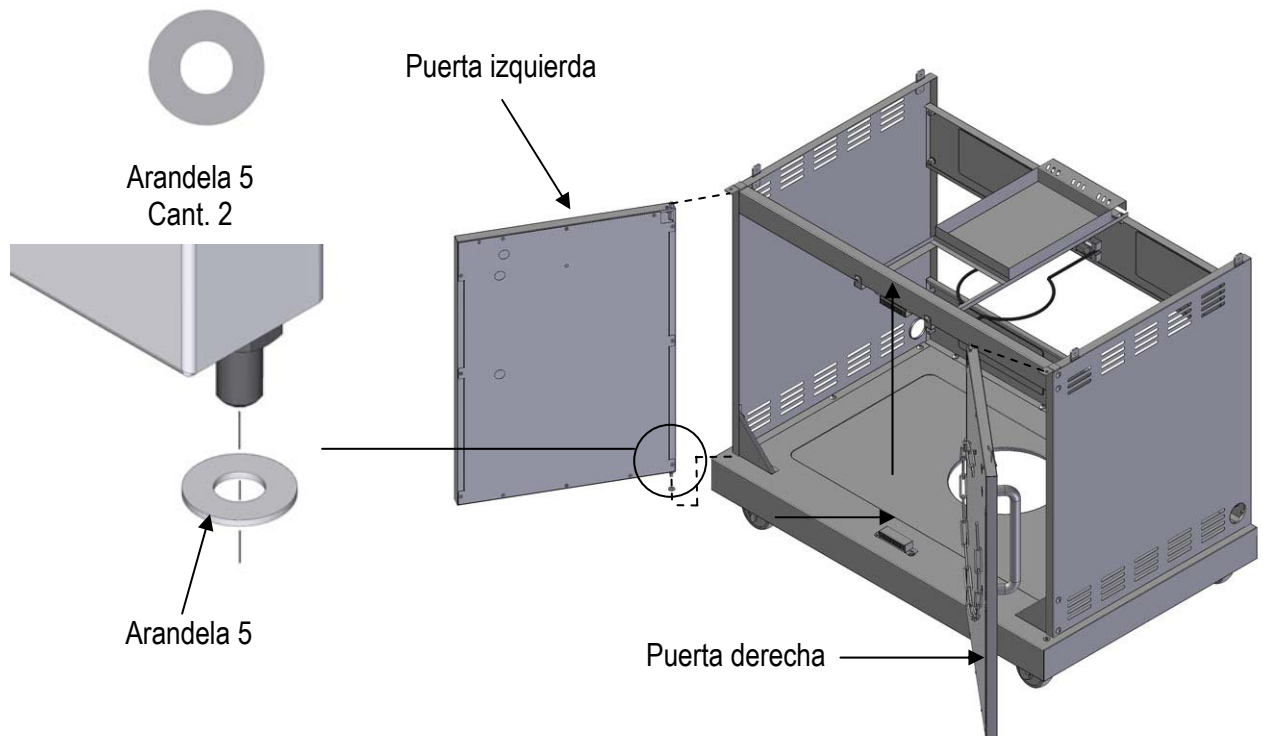


10

Deslice la bandeja recolectora a través de la parte superior del panel posterior y en el soporte de la bandeja recolectora como se ilustra.

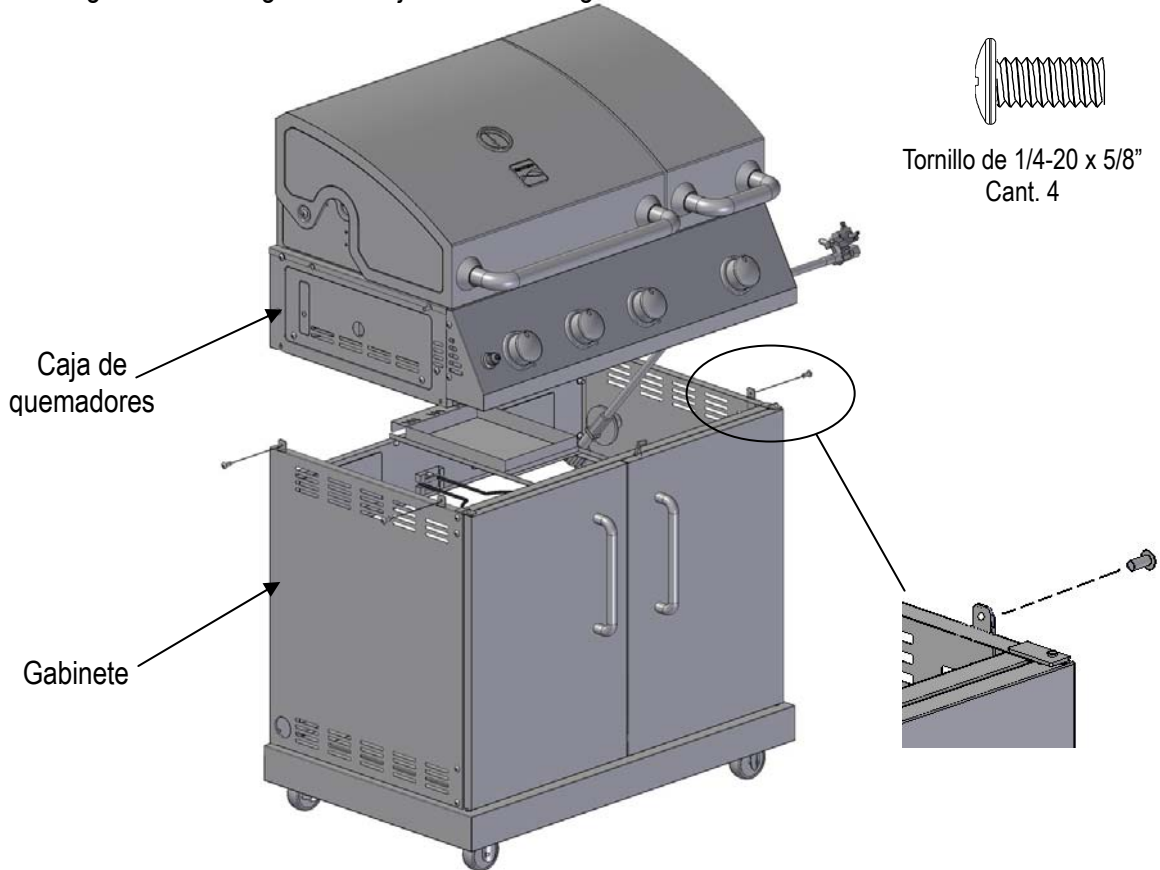
**11**

Para cada puerta, inserte el pasador de bisagra inferior en el agujero en el panel inferior. Presione hacia abajo el pasador de la bisagra para insertarlo en el agujero en la pestaña en la parte superior del panel lateral. Ajuste el imán de la puerta del panel inferior para que haga contacto con las puertas y apriete los tornillos del imán.

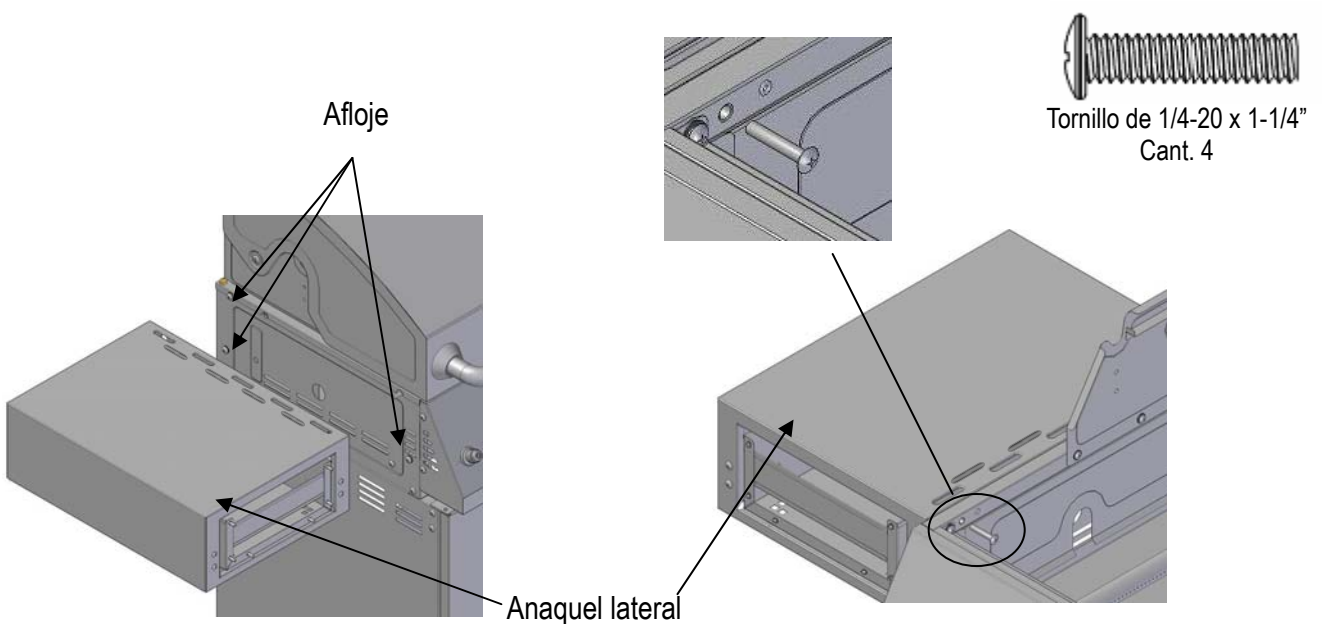


12

Corte los amarres que regulan el regulador y la válvula del quemador lateral en su lugar debajo del panel de control del cabezal de la parrilla. Tenga cuidado de no cortar los cables del encendido. Con la ayuda de un asistente, levante y coloque el cabezal de la parrilla en el gabinete. Los laterales del cabezal de la parrilla van sobre las pestañas de fijación del gabinete. Cerciórese de que la válvula del quemador lateral y los cables del encendedor cuelguen fuera del gabinete y que el regulador cuelgue dentro del gabinete. Fije el cabezal al gabinete con 4 tornillos como se ilustra.

**13**

Afloje los tres tornillos fijados al panel izquierdo de la caja del quemador 3 o 4 giros como se ilustra. Suspenda el anaquel lateral a través de los agujeros ranurados en su costado sobre los tres tornillos que ha aflojado. Abra la tapa de la parrilla y utilice el tornillo para apretar el anaquel lateral desde la parte interior de la caja del quemador como se ilustra. Apriete los tres tornillos que aflojó previamente.



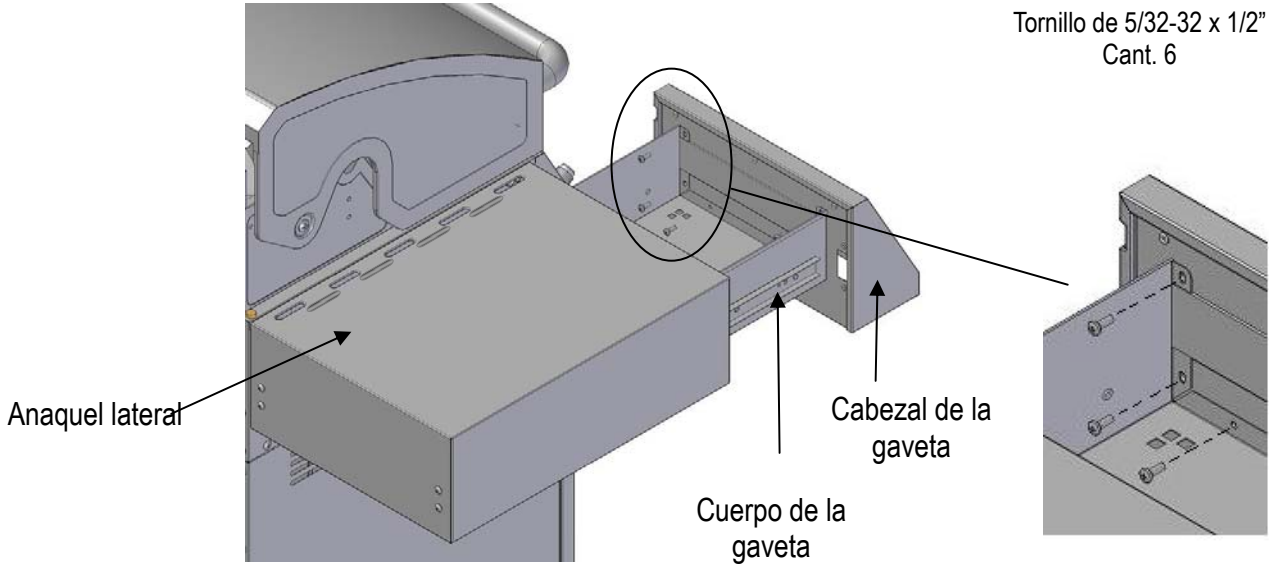
14

Hale el cuerpo de la gaveta hacia afuera.

Asegure el cabezal de la gaveta al cuerpo de la misma con 3 tornillos en cada lado como se ilustra. Si hay alguna desalineación o interferencia en el funcionamiento del panel frontal del cajón, aflojar los 6 tornillos, vuelva a ajustar la posición del panel frontal para eliminar el problema y vuelva a apretar los tornillos.



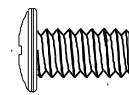
Tornillo de 5/32-32 x 1/2"
Cant. 6



Anaqueles del quemador lateral

15

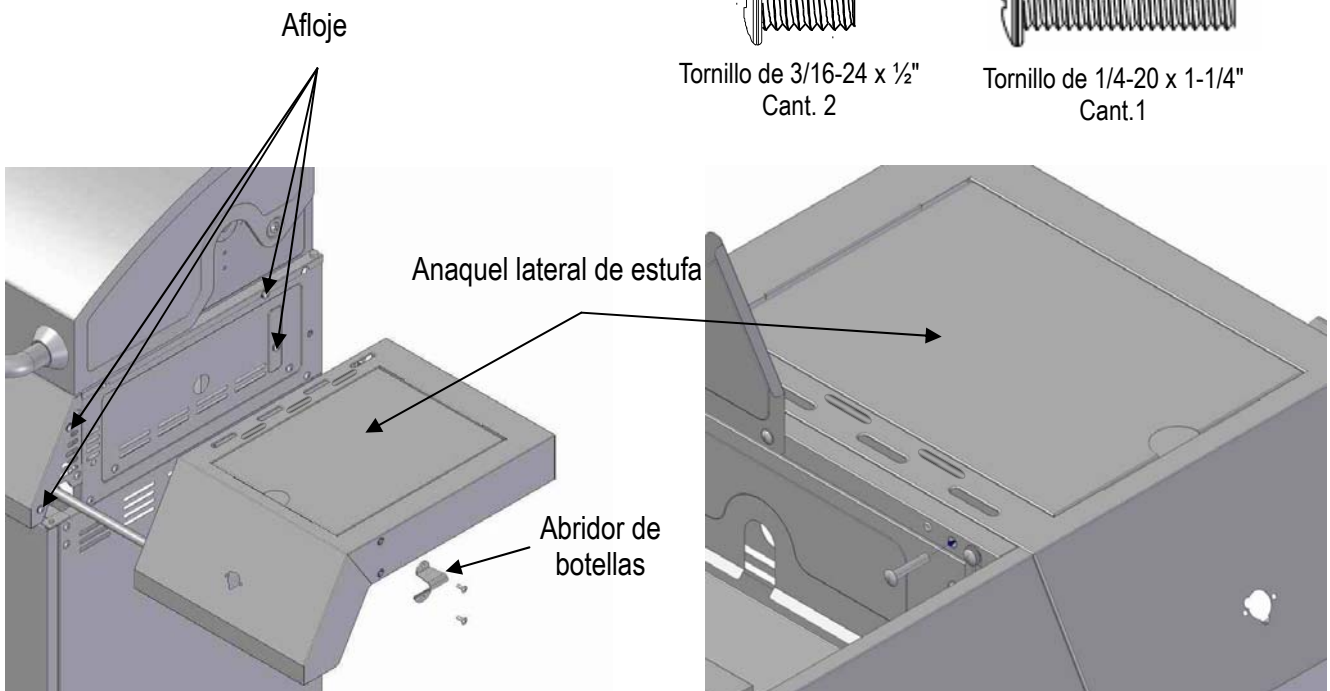
Afloje los cuatro tornillos fijados al panel derecho de la caja del quemador 3 o 4 giros como se ilustra. Suspenda el anaquel del quemador lateral a través de los agujeros ranurados en su costado sobre los cuatro tornillos que ha aflojado. Abra la tapa de la parrilla y utilice el tornillo único para apretar el anaquel del quemador lateral desde la parte interior de la caja del quemador como se ilustra. Apriete los cuatro tornillos que aflojó previamente. Fije el abridor de botellas al anaquel quemador lateral con 2 tornillos como se ilustra.



Tornillo de 3/16-24 x 1/2"
Cant. 2



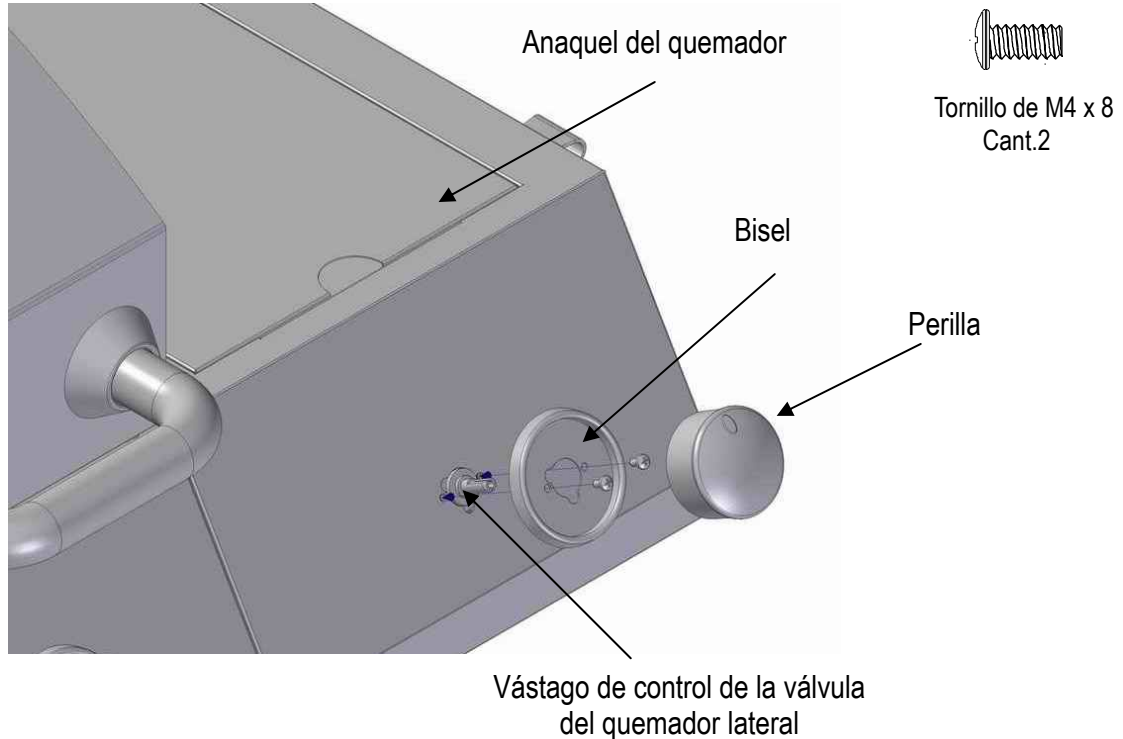
Tornillo de 1/4-20 x 1-1/4"
Cant. 1



Anaqueel del quemador lateral

16

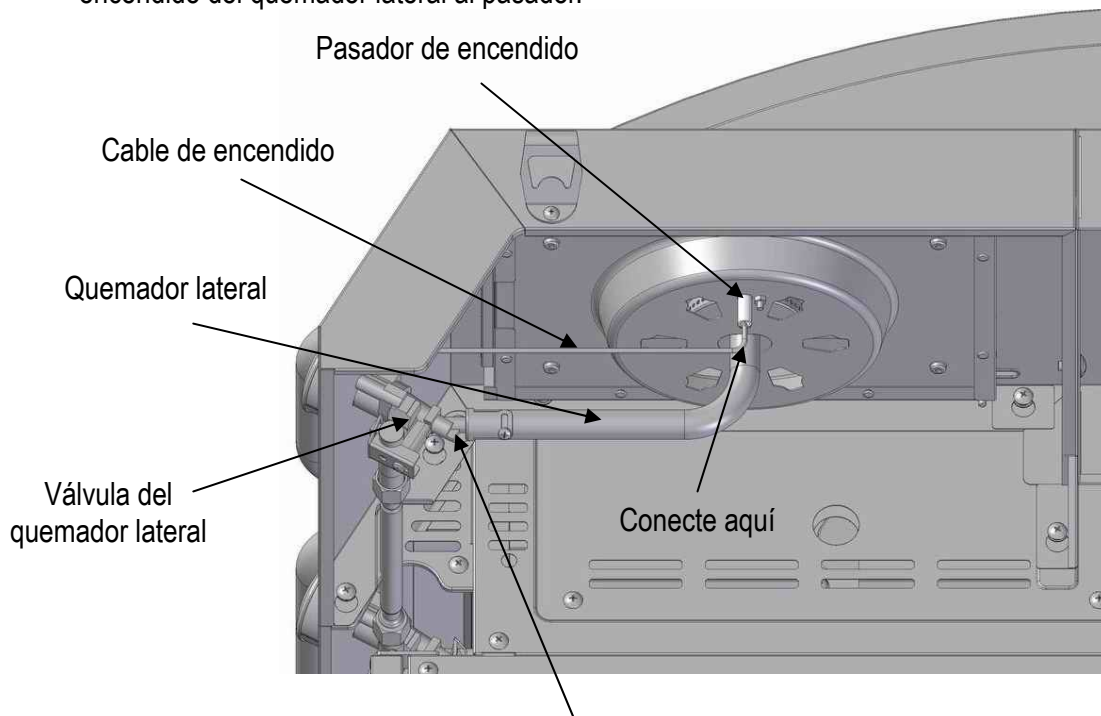
Afloje y retire los dos tornillos que sostienen el quemador lateral en su lugar. Alinee los dos agujeros de tornillos de la guarnición metálica con los del panel de control del quemador lateral. Inserte el vástago de control de la válvula a través del panel de control y de los agujeros principales de la guarnición metálica. Fije la guarnición metálica al panel de control y al vástago de control de la válvula con 2 tornillos como se ilustra. Presione la perilla en el vástago del control de la válvula del quemador lateral.



17

Válvula del quemador lateral y cable de encendido

Inserte la válvula del quemador lateral en el tubo del quemador lateral como se ilustra. Vuelva a fijar el quemador lateral al anaquel con los 2 tornillos que retiró anteriormente. Conecte el cable de encendido del quemador lateral al pasador.

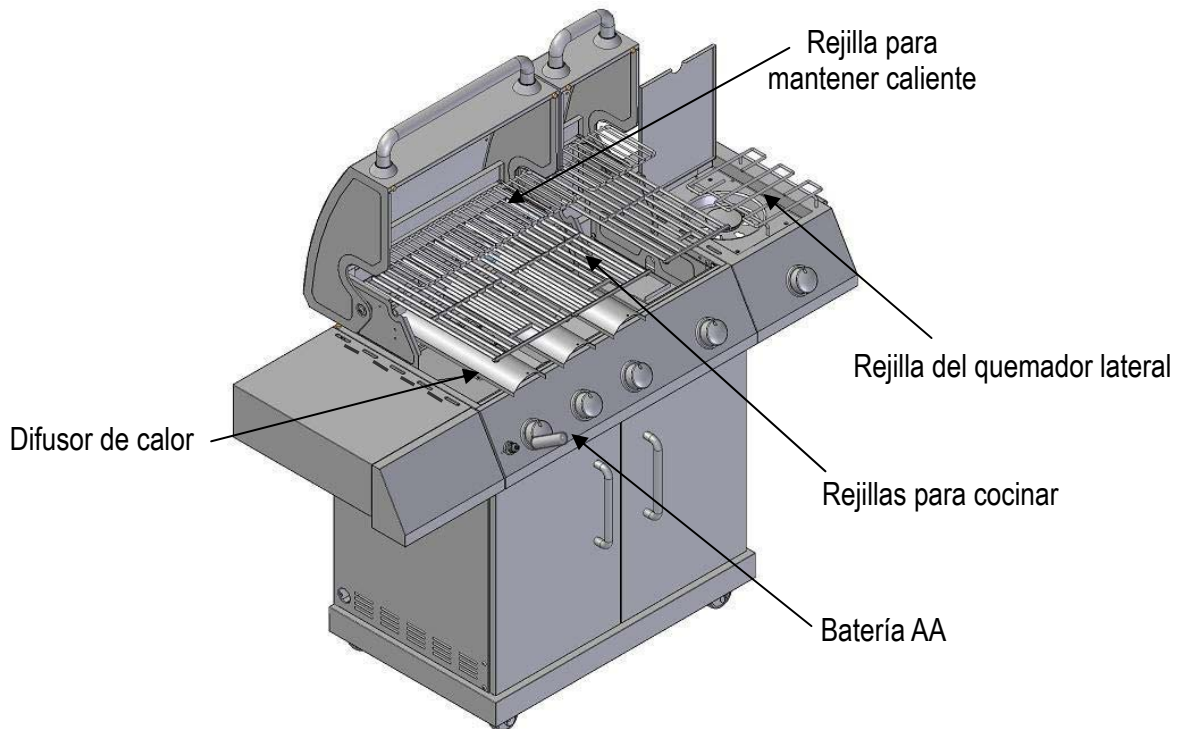


PRECAUCIÓN: Cerciérese de que la válvula esté dentro del tubo.

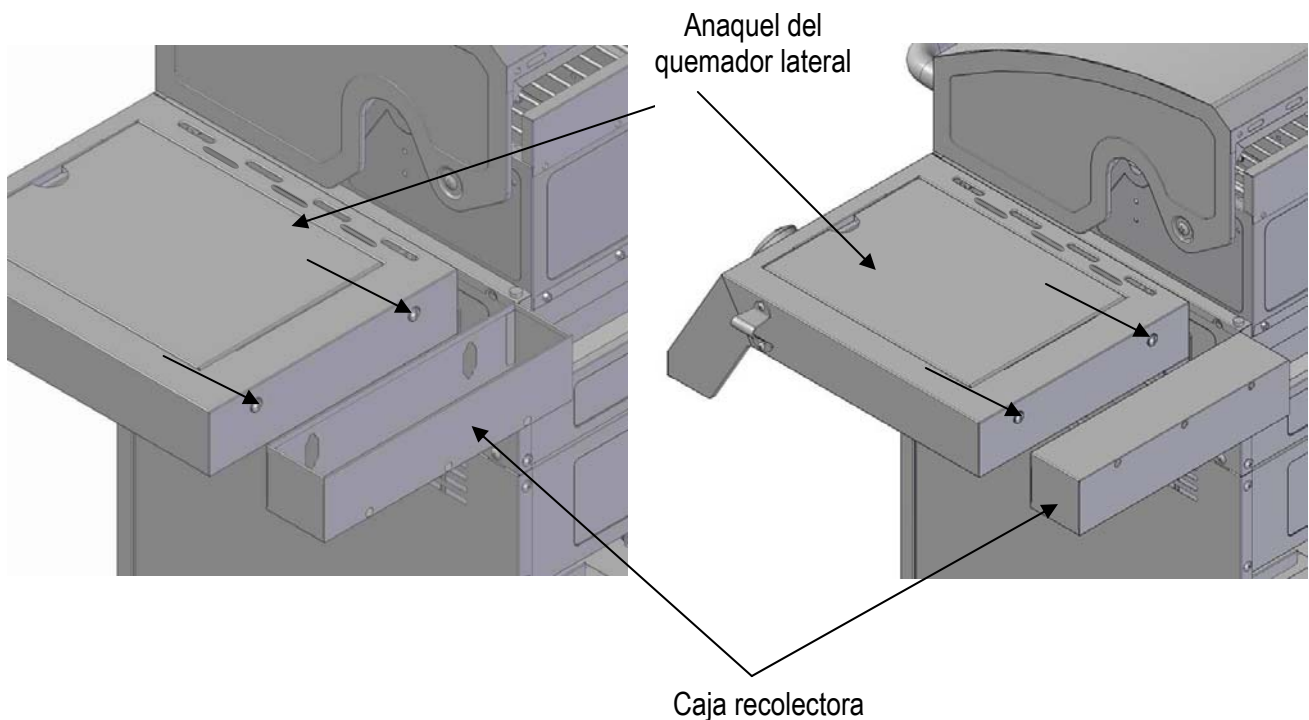
18**Instale los difusores de calor, las rejillas de cocción y las rejillas para mantener caliente**

Coloque los difusores de calor, las rejillas de cocción y las rejillas para calentar como se ilustra. NOTA: Los bordes del difusor encajan en las ranuras al frente y parte posterior de la caja del quemador. El agujero rectangular en la rejilla de cocción va al frente.

Retire la tapa de la batería e inserte una batería AA con el polo positivo orientado hacia afuera. Vuelva a colocar la tapa.

**Caja recolectora****19**

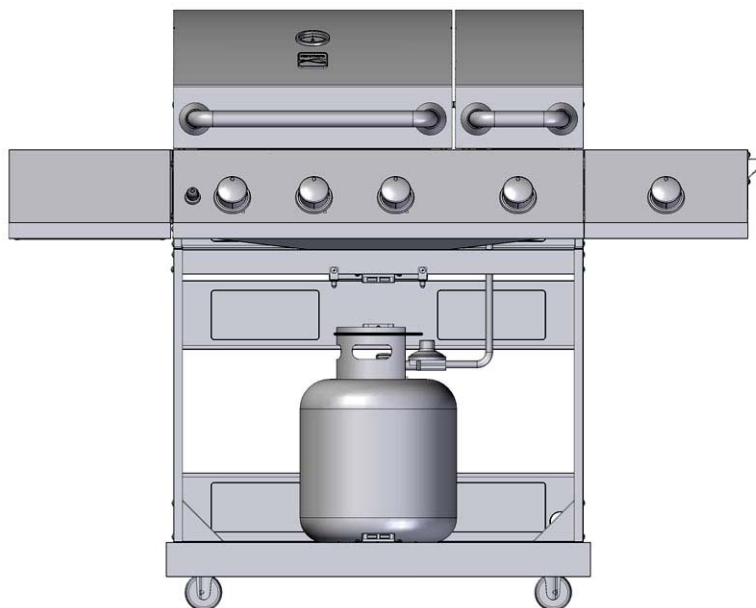
Alinee la caja recolectora con los 2 tornillos cabeza redonda en la parte posterior del anaquel del quemador lateral y presione la caja hacia abajo para fijarla en su lugar. También puede invertir la caja y fijarla para alargar el anaquel como se ilustra.



Instalación del tanque LP

20

Abra las puertas frontales del gabinete. Coloque la base del tanque en el gabinete. Conecte el regulador al tanque (refiérase a la página 5 de la sección de uso y cuidado).



Solución de problemas

Problema	Causa posible	Acción correctiva
La parrilla o el quemador lateral no encienden	<ol style="list-style-type: none"> 1. El cable de encendido se desconectó del encendedor eléctrico. 2. La distancia entre el pasador de encendido y el quemador es superior a 2,60 mm-5,10 mm (quemador lateral). 3. El cable de encendido está roto. 4. La batería se ha agotado. 5. Los polos de la batería están mal colocados. 6. La punta del electrodo no produce chispas en el puerto del quemador. 7. No hay suministro de gas. 8. La abertura del obturador de aire es demasiado grande. 	<ol style="list-style-type: none"> 1. Vuelva a conectar el cable de encendido al encendedor eléctrico. 2. Afloje el pasador y ajuste la distancia, luego vuelva a apretarlo. 3. Póngase en contacto con el Departamento de Servicio al Cliente para obtener un cable de encendido de repuesto. 4. Instale una nueva batería AA. 5. Cambie la ubicación de los polos de la batería. 6. Vuelva a instalar el electrodo. 7. Abra la válvula del regulador. 8. Afloje el obturador de aire y ajuste la abertura a un tamaño menor.
La llama del quemador es amarilla y se percibe olor a gas	<ol style="list-style-type: none"> 1. La abertura del obturador de aire no está bien ajustada. 2. Arañas o insectos bloquean el obturador de aire. 3. Hay fugas de gas 	<ol style="list-style-type: none"> 1. Afloje el obturador de aire y ajuste la abertura hasta obtener llamas azules. Abertura de 0,6 cm para GPL Abertura de 0,32 cm para gas natural. 2. Despeje las obstrucciones. 3. Busque el origen de la fuga de gas.
Llamas excesivas	<ol style="list-style-type: none"> 1. Se están asando carnes grasosas mientras las perillas se encuentran en "HIGH" (alto). 2. Roció agua sobre las llamas de gas. 3. La cubierta está cerrada mientras asa. 	<ol style="list-style-type: none"> 1. Ase las carnes grasosas con las parrillas frías y las perillas en la posición "LOW" (BAJO). Si las llamas excesivas continúan, coloque la carne en la rejilla para calentar hasta que las llamas se asienten. 2. Nunca rocíe agua sobre las llamas de gas. 3. Mantenga la cubierta abierta mientras usa la parrilla.
El quemador se apaga	<ol style="list-style-type: none"> 1. El tanque de PL está vacío. 2. El quemador no está alineado con la válvula de control. 3. El suministro de gas no es suficiente. 	<ol style="list-style-type: none"> 1. Vuelva a llenar el tanque de PL. 2. Instale el quemador correctamente. 3. Verifique la manguera de suministro de gas y asegúrese de que no haya fugas ni nudos.

Problem**Possible Cause****Corrective Action**

<p>La parrilla genera poco calor con la perilla en la posición "HI" (ALTO)</p>	<ol style="list-style-type: none"> 1. Los modelos a gas natural generan poco calor. 2. Los puertos están bloqueados. 3. El tanque de PL se ha agotado. 	<ol style="list-style-type: none"> 1. Este modelo está configurado para utilizar 177,80 mm de gas natural. Verifique su sistema de suministro de gas natural para determinar si tiene una presión de gas correcta. Los modelos a gas natural no requieren regulador. Verifique los orificios si instaló boquillas para GN. 2. Limpie las obstrucciones de los puertos. 3. Vuelva a llenar el tanque de PL. 										
<p>Se produce poco calor, gas natural</p>	<p>La presión del gas se ve considerablemente afectada por la línea de gas y el largo de la línea de gas proveniente de la casa.</p>	<p>Verifique la línea de gas y realice las correcciones necesarias según la siguiente tabla.</p> <table border="1" data-bbox="938 712 1469 1059"> <thead> <tr> <th colspan="2">Desde la casa hasta la parrilla</th> </tr> <tr> <th>Distancia</th> <th>Tamaño de las tuberías</th> </tr> </thead> <tbody> <tr> <td>Hasta 7,62 m</td> <td>3/8" de diámetro</td> </tr> <tr> <td>De 7,92 m a 15,24 m</td> <td>1/2" de diámetro</td> </tr> <tr> <td>De 15,54 m a 30,48 m</td> <td>2/3" de trayecto de 3/4" 1/3" de trayecto de 1/2"</td> </tr> </tbody> </table>	Desde la casa hasta la parrilla		Distancia	Tamaño de las tuberías	Hasta 7,62 m	3/8" de diámetro	De 7,92 m a 15,24 m	1/2" de diámetro	De 15,54 m a 30,48 m	2/3" de trayecto de 3/4" 1/3" de trayecto de 1/2"
Desde la casa hasta la parrilla												
Distancia	Tamaño de las tuberías											
Hasta 7,62 m	3/8" de diámetro											
De 7,92 m a 15,24 m	1/2" de diámetro											
De 15,54 m a 30,48 m	2/3" de trayecto de 3/4" 1/3" de trayecto de 1/2"											
<p>Poco calor, gas PL</p>	<p>El ensamble del regulador de propano cuenta con un dispositivo de control de flujo excesivo diseñado para suministrar suficiente flujo de gas a la parrilla. Los cambios bruscos en la presión pueden activar el dispositivo de control de flujo excesivo y producir una llama y temperatura bajas.</p>	<p>Siga estas instrucciones:</p> <ol style="list-style-type: none"> 1. Asegúrese de que todos los quemadores estén en la posición "OFF" (APAGADO). 2. Abra la válvula del tanque y espere 5 minutos. 3. Encienda de a un quemador por vez según las instrucciones de encendido enumeradas en el revestimiento de la puerta 										
<p>Disminución repentina del flujo de gas o llama baja</p>	<ol style="list-style-type: none"> 1. Se agotó el gas. 2. Se activó la válvula de exceso de flujo. 3. Hay un bloqueo de vapores en la tuerca de acoplamiento/conexión del cilindro de gas PL. 	<ol style="list-style-type: none"> 1. Verifique el nivel de gas en el cilindro de PL. 2. Apague las perillas, espere 30 segundos y encienda la parrilla. Si las llamas siguen bajas, apague las perillas y la válvula del cilindro de PL. Desconecte el regulador. Vuelva a conectar el regulador y compruebe que no haya fugas. Encienda la válvula del cilindro PL, espere 30 segundos y encienda la parrilla. 3. Coloque las perillas en la posición de apagado y cierre la válvula del cilindro de PL. Desconecte la tuerca de acoplamiento del cilindro. Vuelva a conectar e intente nuevamente. 										

Get it fixed, at your home or ours!

Your Home

For troubleshooting, product manuals and expert advice:



www.managemylife.com

For repair – **in your home** – of **all** major brand appliances, lawn and garden equipment, or heating and cooling systems, **no matter who made it, no matter who sold it!**

For the replacement parts, accessories and owner's manuals that you need to do-it-yourself.

For Sears professional installation of home appliances and items like garage door openers and water heaters.

1-800-4-MY-HOME[®] (1-800-469-4663)

Call anytime, day or night (U.S.A. and Canada)

www.sears.com www.sears.ca

Our Home

For repair of carry-in items like vacuums, lawn equipment, and electronics, call anytime for the location of your nearest

Sears Parts & Repair Service Center

1-800-488-1222 (U.S.A.)

www.sears.com

1-800-469-4663 (Canada)

www.sears.ca

To purchase a protection agreement on a product serviced by Sears:

1-800-827-6655 (U.S.A.)

1-800-361-6665 (Canada)

Para pedir servicio de reparación a domicilio, y para ordenar piezas:

1-888-SU-HOGAR[®]

(1-888-784-6427)

www.sears.com

Au Canada pour service en français:

1-800-LE-FOYER^{MC}

(1-800-533-6937)

www.sears.ca

The Sears logo, featuring the word "Sears" in a large, bold, serif font with a stylized 'S'.

® Registered Trademark / TM Trademark of KCD IP, LLC in the United States, or Sears Brands, LLC in other countries

® Marca Registrada / TM Marca de Fábrica de KCD IP, LLC en Estados Unidos, o Sears Brands, LLC in otros países

^{MC} Marque de commerce / ^{MD} Marque déposée de Sears Brands, LLC



Free Manuals Download Website

<http://myh66.com>

<http://usermanuals.us>

<http://www.somanuals.com>

<http://www.4manuals.cc>

<http://www.manual-lib.com>

<http://www.404manual.com>

<http://www.luxmanual.com>

<http://aubethermostatmanual.com>

Golf course search by state

<http://golfingnear.com>

Email search by domain

<http://emailbydomain.com>

Auto manuals search

<http://auto.somanuals.com>

TV manuals search

<http://tv.somanuals.com>