

Use & Care Guide
Manual de Uso y Cuidado
English/Español

Kenmore®

Microwave Oven

0.9 Cu. Ft., 900 Watts

Horno de Microondas

0.9 Pies.Cúbicos, 900 Vatios

Models / Modelos:

204.73772610 - White / Blanco

204.73779610 - Black / Negro

204.73773610 - Stainless Steel / Acero Inoxidable / Negro

Customer Assistance / Asistencia al Cliente

1-800-657-6119

Sears Brands Management Corporation
Hoffman Estates, IL 60179 U.S.A.

www.kenmore.com

www.sears.com

www.kmart.com



PRECAUTIONS TO AVOID POSSIBLE EXPOSURE TO EXCESSIVE MICROWAVE ENERGY

- (a) Do not attempt to operate this oven with the door open since this can result in harmful exposure to microwave energy. It is important not to defeat or tamper with the safety interlocks.
- (b) Do not place any object between the oven front face and the door or allow soil or cleaner residue to accumulate on sealing surfaces.
- (c) Do not operate this oven if it is damaged. It is particularly important that the oven door close properly and that there is no damage to the:
 - (1) DOOR (bent)
 - (2) HINGES AND LATCHES (broken or loosened)
 - (3) DOOR SEALS AND SEALING SURFACES
- (d) The oven should not be adjusted or repaired by anyone except properly qualified service personnel.

Specifications

Model:	204.73772610/204.73779610/204.73773610
Rated Voltage:	120V~ 60Hz
Rated Input Power(Microwave):	1350W
Rated Output Power(Microwave):	900W
Oven Capacity:	0.9 cu.ft./23 L
Turntable Diameter:	Ø10.63 inch/270 mm
External Dimensions:	19.02X14.29X11.06 inch (483X363X281 mm)
Net Weight:	Approx. 28.66 Lbs(13kg)

IMPORTANT SAFETY INSTRUCTIONS

WARNING To reduce the risk of burns, electric shock, fire, injury to persons or exposure to excessive microwave oven energy when using your appliance, follow basic safety precautions, including the following:

1. Read all instructions before using the appliance.
2. Read and follow the specific: "PRECAUTIONS TO AVOID POSSIBLE EXPOSURE TO EXCESSIVE MICROWAVE ENERGY" found on page 1.
3. As with most cooking appliances, close supervision is necessary to reduce the risk of a fire in the oven cavity.
4. To reduce the risk of fire in the oven cavity:
 - i) Do not overcook food. Carefully attend the appliance when paper, plastic, or other combustible materials are placed inside the oven to facilitate cooking.
 - ii) Remove wire twist-ties and metal handles from paper or plastic containers/bags before placing them in the oven.
 - iii) If materials inside the oven ignite, keep the oven door closed. Turn the oven off, and unplug the appliance. Disconnect the power cord, shut off power at the fuse or circuit breaker panel.
 - iv) Do not use the oven cavity for storage purposes. Do not leave paper products, cooking utensils, or food in the cavity when not in use.
5. This oven must be grounded. Connect only to properly grounded outlet. See "GROUNDING INSTRUCTIONS" found on page 3.
6. Install or locate this oven only in accordance with the installation instructions provided.
7. Some products such as whole eggs and sealed containers-for example, closed glass jars- are able to explode and should not be heated in the oven.
8. Use this appliance only for its intended uses as described in this manual. Do not use corrosive chemicals or vapors in this appliance. This oven is specifically designed to heat or cook or dry food. It is not designed for industrial or laboratory use.
9. As with any appliance, close supervision is necessary when used by children.
10. Do not operate this oven if it has a damaged cord or plug, if it is not working properly or if it has been damaged or dropped.
11. **This microwave should be serviced only by qualified service personnel.**
12. Do not cover or block any openings on the oven.
13. Do not store or use this appliance outdoors.
14. Do not use this oven near water, for example, near a kitchen sink, in a wet basement, near a swimming pool, or similar locations.
15. Do not immerse cord or plug in water.
16. Keep cord away from heated surfaces.
17. Do not let cord hang over edge of table or counter.
18. When cleaning surfaces of door and oven that come together on closing the door, use only mild, nonabrasive soaps or detergents applied with a sponge or soft cloth.
19. Do not consume foods immediately after the oven finishes cooking. Heated foods, especially pizza, may burn your mouth. Allow foods to cool to a safe eating temperature.
20. **This appliance is for private household use only.**

21. Liquids, such as water, coffee, or tea are able to be overheated beyond the boiling point without appearing to be boiling. Visible bubbling or boiling when the container is removed from the microwave oven is not always present. THIS COULD RESULT IN VERY HOT LIQUIDS SUDDENLY BOILING OVER WHEN THE CONTAINER IS DISTURBED OR A SPOON OR OTHER UTENSIL IS INSERTED INTO THE LIQUID.
- i) Do not overheat the liquid.
 - ii) Stir the liquid both before and halfway through heating it.
 - iii) Do not use straight-sided containers with narrow necks.
 - iv) After heating, allow the container to stand in the microwave oven for a short time before removing the container.
 - v) Use extreme care when inserting a spoon or other utensil into the container.

SAVE THESE INSTRUCTIONS

GROUNDING INSTRUCTIONS

DANGER

Electric Shock Hazard

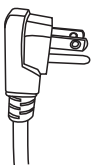
Touching some of the internal components can cause serious personal injury or death. Do not disassemble this appliance.

WARNING

Electric Shock Hazard

An improperly grounded appliance can result in electric shock. Do not plug into an outlet until appliance is properly installed and grounded.

Three-pronged (grounding) plug



This appliance must be grounded. In the event of an electrical short circuit, grounding reduces the risk of electric shock by providing an escape wire for the electric current. To protect against electrical shock, this appliance is equipped with a cord having a 3-prong grounding-type plug for insertion into a proper grounding-type receptacle. DO NOT alter the plug for use in a 2-prong receptacle. DO NOT use a 3-prong adapter to enable the microwave to be plugged into a 2-prong receptacle. If the plug will not fit into a receptacle, have the proper receptacle installed by a qualified electrician.

Consult a qualified electrician or serviceman if the grounding instructions are not completely understood or if doubt exists as to whether the appliance is properly grounded. If it is necessary to use an extension cord, use only a 3-wire extension cord that has a 3-pronged grounding plug, and a 3-slot receptacle that will accept the plug on the appliance. The marked rating of the extension cord shall be equal to or greater than the electrical rating of the appliance.

1. A short power-supply cord is provided to reduce the risks resulting from becoming entangled in or tripping over a longer cord.
2. Longer cord sets or extension cords are available and may be used if care is exercised in their use.
3. If a long cord sets or extension cord is used:
 - i) The marked electrical rating of the cord set or extension marked electrical rating of the cord set or extension cord should be at least as great as the electrical rating of the appliance.
 - ii) The extension cord must be a grounding-type 3-wire cord.
 - iii) The longer cord should be arranged so that it will not drape over the countertop or tabletop where it can be pulled on by children or tripped over unintentionally.

Radio interference

1. Operation of the microwave oven may cause interference to your radio, TV or similar equipment.
2. When there is interference, it may be reduced or eliminated by taking the following measures:
 - i) Clean door and sealing surface of the oven.
 - ii) Reorient the receiving antenna of radio or television.
 - iii) Relocate the microwave oven with respect to the receiver.
 - iv) Move the microwave oven away from the receiver.
 - v) Plug the microwave oven into a different outlet so that microwave oven and receiver are on different branch circuits.

CAUTION

Personal injury Hazard
Tightly-closed utensils could explode. Closed containers should be opened and plastic pouches should be pierced before cooking.

UTENSILS

See the instructions on "Materials you can use in microwave oven or to be avoided in microwave oven."
There may be certain non-metallic utensils that are not safe to use for microwaving. If in doubt, you can test the utensil in question following the procedure below.

Utensils Test:

1. Fill a microwave-safe container with 1 cup of cold water (250ml) along with the utensil in question.
2. Cook on maximum power for 1 minute.
3. Carefully feel the utensil. If the empty utensil is warm, do not use it for microwave cooking.
4. Do not exceed 1 minute cooking time.

Materials you can use in microwave oven

Utensils	Remarks
Aluminum foil	Shielding only. Small smooth pieces can be used to cover thin parts of meat or poultry to prevent overcooking. Arcing can occur if foil is too close to oven walls. The foil should be at least 1 inch (2.5cm) away from oven walls.
Browning dish	Follow manufacturer's instructions. The bottom of browning dish must be at least 3/16 inch (5 mm) above the turntable. Incorrect usage may cause the turntable to break.
Dinnerware	Microwave-safe only. Follow manufacturer's instructions. Do not use cracked or chipped dishes.
Glass jars	Always remove lid. Use only to heat food until just warm. Most glass jars are not heat resistant and may break.
Glassware	Heat-resistant oven glassware only. Make sure there is no metallic trim. Do not use cracked or chipped dishes.
Oven cooking bags	Follow manufacturer's instructions. Do not close with metal tie. Make slits to allow steam to escape.
Paper plates and cups	Use for short-term cooking/warming only. Do not leave oven unattended while cooking.
Paper towels	Use to cover food for reheating and absorbing fat. Use with supervision for a short-term cooking only.
Parchment paper	Use as a cover to prevent splattering or a wrap for steaming.
Plastic	Microwave-safe only. Follow the manufacturer's instructions. Should be labeled "Microwave Safe". Some plastic containers soften, as the food inside gets hot. "Boiling bags" and tightly closed plastic bags should be slit, pierced or vented as directed by instructions on package.
Plastic wrap	Microwave-safe only. Use to cover food during cooking to retain moisture. Do not allow plastic wrap to touch food.
Thermometers	Microwave-safe only (meat and candy thermometers).
Wax paper	Use as a cover to prevent splattering and retain moisture.

Materials to be avoided in microwave oven

Utensils	Remarks
Aluminum tray	May cause arcing. Transfer food into microwave-safe dish.
Food carton with metal handle	May cause arcing. Transfer food into microwave-safe dish.
Metal or metal-trimmed utensils	Metal shields the food from microwave energy. Metal trim may cause arcing.
Metal twist ties	May cause arcing and could cause a fire in the oven.
Paper	May cause a fire in the oven.
Plastic foam	Plastic foam may melt or contaminate the liquid inside when exposed to high temperature.
Wood	Wood will dry out when used in the microwave oven and may split or crack.

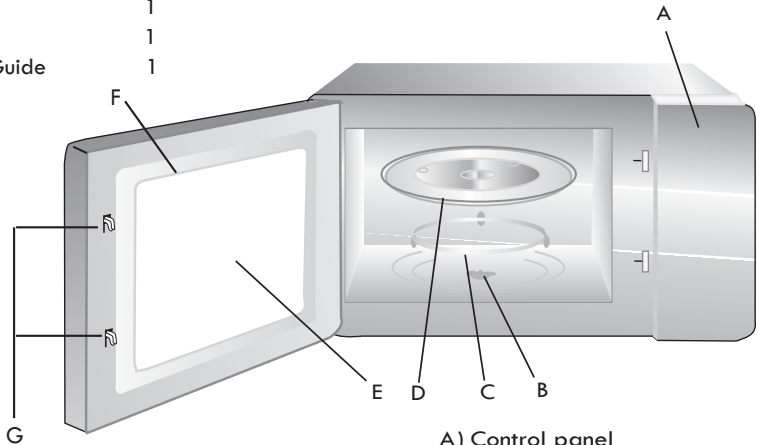
SETTING UP YOUR OVEN

Names of oven Parts and Accessories

Remove the oven and all materials from the carton and oven cavity.

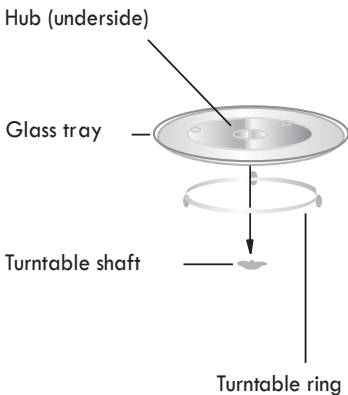
Your oven comes with the following accessories:

Glass tray	1
Turntable ring	1
Use & Care Guide	1



- A) Control panel
- B) Turntable shaft
- C) Turntable ring
- D) Glass tray
- E) Observation window
- F) Oven Door
- G) Safety interlock system

Turntable Installation



- a. Never place the glass tray upside down. The glass tray should never be restricted.
- b. Both glass tray and turntable ring must always be used during cooking.
- c. All food and containers of food are always to be placed on the glass tray for cooking.
- d. If glass tray or turntable ring cracks or breaks, contact the following customer assistance number:
1-800-657-6119

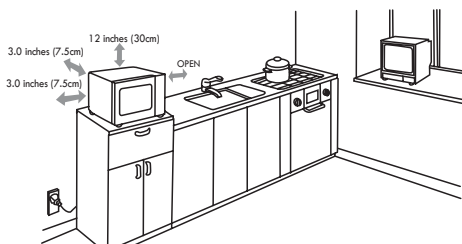
Countertop Installation

Remove all packing material and accessories. Examine the oven for any damage such as dents or broken door. Do not install if oven is damaged.

Cabinet: Remove any protective film found on the microwave oven cabinet surface. **Do not remove the light brown Mica cover that is attached to the oven cavity to protect the magnetron.**

Installation

1. Select a level surface that provide enough open space for the intake and/or outlet vents.



A minimum clearance of 3.0 inches (7.5cm) is required between the oven and any adjacent walls. One side must be open.

- (1) Leave a minimum clearance of 12 inches (30cm) above the oven.
- (2) Do not remove the legs from the bottom of the oven.

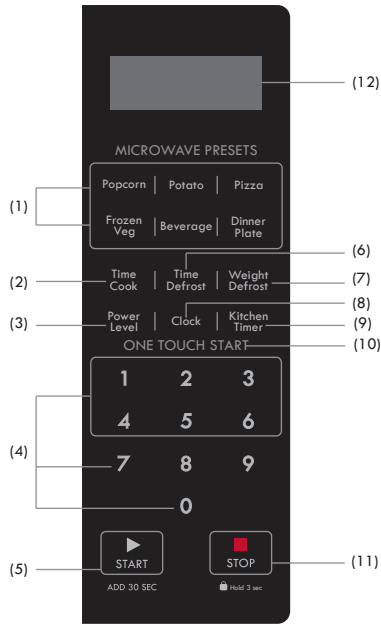
- (3) Blocking the intake and/or outlet openings can damage the oven.
- (4) Place the oven as far away from radios and TV as possible. Operation of microwave oven may cause interference to your radio or TV reception.

2. Plug your oven into a standard household outlet. Be sure the voltage and the frequency is the same as the voltage and the frequency on the rating label.

WARNING: Do not install oven over a range cooktop or other heat-producing appliance. If installed near or over a heat source, the oven could be damaged and the warranty would be void.

OPERATION

Control Panel and Features



- (1) Microwave Presets (Popcorn, Potato, Pizza, Frozen Veg, Beverage, Dinner Plate) The presets allow you to easily program cooking time based on food quantity.
- (2) Time Cook
- (3) Power Level
- (4) Number Pads
- (5) START/ADD 30 SEC
- (6) Time Defrost
- (7) Weight Defrost
- (8) Clock
- (9) Kitchen Timer
- (10) One Touch Start Pads (1-6)
- (11) STOP/Hold 3 sec: Before cooking starts, press to clear all previous settings. During cooking, press once to stop oven; press twice to stop oven and clear all settings. Press pad for 3 seconds to lock or unlock display.
- (12) Display Window

OPERATION

CLOCK SETTING

When the microwave oven is plugged into an outlet, "00:00" will display.

(1) Press **Clock**, "Hr12" will appear in the display.

Press **Clock** twice, "Hr 24" will appear in the display.

(2) Press the number pads and enter the current clock time. For example, if the time is now 8:30, press "8, 3, 0" in order.

(3) Press **Clock** to finish clock setting, ":" will flash and the numbers will appear as a clock time in the display.

Note: (1) In the process of setting clock, if the  pad is pressed or if there is no operation within 25 seconds, the display will automatically return to standby mode.

(2) This is a 12 or 24 hour clock. you can press **Clock** repeatedly to choose 12 hour clock or 24 hour clock.

KITCHEN TIMER

(1) Press the **Kitchen Timer**, "00:00" will display.

(2) Press the number pads to enter the time amount. The maximum amount of time that can be enter is 99 minutes 99 seconds.


(3) Press  to confirm setting.

(4) When the time amount elapses, you will hear a long beep.

Note: 1) The Kitchen Timer setting is different from the Clock setting; it is simply a timer.

2) The Kitchen Timer function can be used in any cooking process.

3) You can check the timer during the timing process for 5 seconds by pressing **Kitchen**

Timer once. You can cancel the timing process by pressing  during the 5 seconds the timer is displayed.

TIME COOK

(1) Press **Time Cook** , "00:00" will appear in the display.

(2) Press number pads to enter the cooking time; the maximum cooking time is 99 minutes and 99 seconds.

(3) Press **Power Level** ; PL10 will display. This is the default power level of 100%. Press number pads 0 through 9 to select a different power level if desired. See the **Power Level** table below.

(4) Press  to start cooking.


Example: To cook the food with 50% microwave power for 15 minutes.

a. Press **Time Cook**, "00:00" displays.

b. Press "1, 5, 0, 0" in order for 15:00 to appear in the display.

c. Press **Power Level**, then press "5" to select 50% microwave power.

d. Press  to start cooking.

Note: In the process of setting, if the  pad is pressed or if there is no operation within 25 seconds, the oven will automatically return to standby mode.

STANDING TIME

"Standing time" means that after the timed cooking period ends, food should be allowed to stand either inside or outside the oven to completely finish cooking. Outside oven standing time will allow the oven to be available for other use.

POWER LEVEL

Ten power levels are available.

Prior to or during cooking, press **Power Level** and "PL10" will display. Adjust the power by pressing a number pad as indicated in the table below.

Level	10	9	8	7	6	5	4	3	2	1
Power	100%	90%	80%	70%	60%	50%	40%	30%	20%	10%
Display	PL10	PL-9	PL-8	PL-7	PL-6	PL-5	PL-4	PL-3	PL-2	PL-1

ONE TOUCH START


(1) Instant cooking at 100% power level and 1 to 6 minutes cooking time can be started by pressing number pads 1 to 6.

(2) Instant cooking at 100% power level and 30 seconds cooking time can be started by pressing



. Each repeated press will increase cooking time by 30 seconds.

The maximum cooking time is 99 minutes, 59 seconds.

Note: 1) Time can also be added in 30 second increments by pressing  during Microwave Cooking.

2) Time cannot be added by pressing  during Microwave Presets, Weight Defrost, and Time Defrost.

WEIGHT DEFROST FUNCTION

(1) Press **Weight Defrost**, "DEF1" will appear in the display.


Press the same pad repeatedly, "DEF1", "DEF2", "DEF3" will display in order.


LED display	DEF1	DEF2	DEF3
Food	Meat	Poultry	Fish

(2) Press number pads to enter the weight to be defrosted.

Input the weight range between 4 to 100 oz.

If the weight input is not between 4 to 100 oz, the input will be invalid. The oven will not operate until valid numbers are entered.

(3) Press  to start defrosting and the cooking time remaining will be displayed.


Note: When half of the defrost time passes, the oven will pause defrost and beep twice to remind you to turn over the food. Turn over food, close door and press  to resume defrost cycle.


If there is no operation within 25 seconds during the setting process, the oven will automatically return to standby mode.

TIME DEFROST FUNCTION

(1) Press **Time Defrost**, "00:00" will display.

(2) Press number pads to input defrosting time. The time range is between 00:01 and 99:99.

(3) Press  to start defrosting. The remaining cooking time will be displayed.

Note: When two-thirds of the defrost time passes, the oven will pause defrost and beep twice to remind you to turn over the food. Turn over food, close door and press  to resume defrost cycle.

If there is no operation within 25 seconds during the setting process, the oven will automatically return to standby mode.

POPCORN

(1) Press **Popcorn** for a 3.2 oz package of popcorn. The oven starts immediately and the cooking time appears in the display. Oven beeps 4 times when cooking is finished.

(2) Follow package instructions, using **Time Cook** if the package is less than 3.2 oz or larger than 3.2 oz. Place the package of popcorn in the center of the microwave.

POTATO

(1) Press **Potato** repeatedly until the number you wish appears in the display, "1", "2", "3" will appear in the display in order.

Press Once: 1 potato (approx. 8oz)

Press Twice: 2 potatoes (approx. 16oz)

Press 3 Times: 3 potatoes (approx. 24oz)

(2) The oven starts immediately. Oven beeps 4 times when cooking is finished.

DINNER PLATE

(1) Press **Dinner Plate** repeatedly until the number you wish appears in the display, "9", "12", "18" oz will appear in the display in order.

(2) The oven starts immediately. Oven beeps 4 times when cooking is finished.

PIZZA

(1) Press **Pizza** repeatedly until the number you wish appears in the display, "4", "8", "16" oz will display in order. NOTE: One pizza piece equals approximately 4 ounces. The 16 oz setting is intended for 4 pieces.

(2) The oven starts immediately. Oven beeps 4 times when cooking is finished.

CAUTION: DO NOT eat pizza immediately after the oven finishes cooking. The heated cheese topping may burn your mouth. Allow pizza to cool to a safe eating temperature.

BEVERAGE

(1) Press **Beverage** repeatedly until the number you wish appears in the display, "1", "2", "3" cup will display in order.

(2) The oven starts immediately. Oven beeps 4 times when cooking is finished.

FROZEN VEG

(1) Press **Frozen Veg** repeatedly until the number you wish appears in the display, "4", "8", "16" oz will display in order.


(2) The oven starts immediately. Oven beeps 4 times when cooking is finished.

MULTI-STAGE COOKING


At most 2 stages can be set for cooking.


Note: MICROWAVE PRESETS, WEIGHT DEFROST, TIME DEFROST and ONE TOUCH START cannot be used in multi-stage cooking.

Example: 80% Power Level for 5 minutes followed by 60% Power Level for 10 minutes;

- Press **Time Cook** once, then press "5", "0" and "0" to set first stage cook time.
- Press **Power Level** once, then press "8" to choose 80% first stage cooking power.
- Press **Time Cook** again, then press "1", "0", "0" and "0" to set second stage cook time.
- Press **Power Level** again, then press "6" to choose 60% second stage cooking power.
- Press  to immediately start multi-stage cooking.

LOCK FUNCTION

To lock the microwave so that it cannot be operated by children or other unintended users, press  pad for 3 seconds. You will hear a long beep. If the clock has been set, "Loc" will appear in the display for 3 seconds and back to standby mode. The "Loc" will display for 3 seconds when you touch any pad.

To Unlock, press  for 3 seconds, you will hear a long beep and "Loc" will disappear.

COOKING END REMINDER FUNCTION

The oven will beep 4 times to alert the user that cooking time has ended. "End" will display.

The time of day will display by opening the door or pressing  pad.

Maintenance

Troubleshooting

Check your problem by using the chart below and try the solutions for each problem. If the microwave oven still does not work properly, contact the following number for customer assistance: 1-800-657-6119.

TROUBLE	POSSIBLE CAUSE	POSSIBLE REMEDY
Oven will not start	<ul style="list-style-type: none">a. Electrical cord for oven is not plugged in.b. Door is open.c. Wrong operation is set.	<ul style="list-style-type: none">a. Plug into the outlet.b. Close the door and try again.c. Check instructions.
Arcing or sparking	<ul style="list-style-type: none">a. Materials to be avoided in microwave oven were used.b. The oven is operated when empty.c. Spilled food remains in the cavity.	<ul style="list-style-type: none">a. Use microwave-safe cookware only.b. Do not operate with oven empty.c. Clean cavity with wet towel.
Unevenly cooked foods	<ul style="list-style-type: none">a. Materials to be avoided in microwave oven were used.b. Food is not defrosted completely.c. Cooking time, power level is not suitable.d. Food is not turned or stirred.	<ul style="list-style-type: none">a. Use microwave-safe cookware only.b. Completely defrost food.c. Use correct cooking time, power level.d. Turn or stir food.
Overcooked foods	Cooking time, power level is not suitable.	Use correct cooking time, power level.
Undercooked foods	<ul style="list-style-type: none">a. Materials to be avoided in microwave oven were used.b. Food is not defrosted completely.c. Oven ventilation ports are restricted.d. Cooking time, power level is not suitable.	<ul style="list-style-type: none">a. Use microwave-safe cookware only.b. Completely defrost food.c. Check to see that oven ventilation ports are not restricted.d. Use correct cooking time, power level.
Improper defrosting	<ul style="list-style-type: none">a. Materials to be avoided in microwave oven were used.b. Cooking time, power level is not suitable.c. Food is not turned or stirred.	<ul style="list-style-type: none">a. Use microwave-safe cookware only.b. Use correct cooking time, power level.c. Turn or stir food.

PRECAUCIONES PARA EVITAR POSIBLE EXPOSICIÓN A EXCESIVA ENERGÍA DE MICROONDAS

- (a) No intente operar este horno con la puerta abierta ya que esto puede causar una exposición dañina a energía de microondas. Es importante no quebrar u obstruir los cierres de seguridad.
- (b) No ubicar ningún objeto entre la pared frontal del horno y la puerta ni permitir que residuos de suciedad o limpiadores se acumulen en los bordes.
- (c) No operar el horno si está dañado. Es particularmente importante que la puerta del horno se cierre correctamente y que no haya daños en:
 - 1. PUERTA (diente)
 - 2. BISAGRAS Y PESTILLOS (quebrado o sueltos)
 - 3. SELLOS DE LAS PUERTAS Y SUPERFICIE SELLANTE
- (d) El horno no deberá ser ajustado ni reparado por nadie excepto por personal de servicio calificado apropiadamente.

Especificaciones

Modelo:	204.73772610/204.73779610/204.73773610
Alimentación	120 V~ 60 Hz
Potencia de entrada	1350W
Potencia de salida de Microondas	900W
Capacidad	0.9 cu.ft./23 L
Diámetro de la bandeja	Ø10.63 inch/270 mm
Dimensiones externas (An. x Prof. x Al.)	19.02X14.29X11.06 inch /483x363x281 mm
Peso neto	Aproximadamente 28.66 lbs /13kg

INSTRUCCIONES DE SEGURIDAD IMPORTANTES ADVERTENCIA

Con el fin de reducir el riesgo de que se produzcan quemaduras, una descarga eléctrica, un incendio, lesiones o exposiciones a la energía microondas excesiva al momento de usar este electrodoméstico, siga las siguientes precauciones de seguridad básicas:

1. Lea todas las instrucciones antes de utilizar el electrodoméstico.
2. Lea y preste atención a las "Precauciones para evitar una posible exposición a la energía microondas excesiva" tal como se detalla en la página 1.
3. Como con otros electrodomésticos de cocina, debe prestarse mucha atención para reducir el riesgo de que se produzca fuego dentro de la cavidad del horno.
4. Con el fin de reducir el riesgo de que se produzca fuego dentro de la cavidad del horno:
 - i) No cocine los alimentos de manera excesiva. Vigile el horno cuando, para facilitar la cocción, se prepare alimentos utilizando materiales de papel o plástico u otros materiales combustibles.
 - ii) Retire los cintillos de alambre o asas de metal de las bolsas o envases de papel o plástico antes de colocarlos dentro del horno.
 - iii) Si cualquier material dentro del horno se prendiera fuego, mantenga la puerta cerrada. Apague y desenchufe el electrodoméstico y desconecte la energía en la caja o panel de fusibles o de interruptores principal.
 - iv) No use la cavidad del horno para guardar objetos. No deje artículos de papel, utensilios de cocina o alimentos dentro del horno cuando no lo esté usando.
5. Este electrodoméstico debe conectarse a tierra. Enchúfelo solamente a un tomacorriente con la debida salida a tierra. Véase las "Instrucciones de conexión a tierra" en la página 3.
6. Instale y ubique este horno solamente de acuerdo con las instrucciones de instalación de este manual.
7. Algunos productos como huevos enteros y envases cerrados herméticamente, por ejemplo frascos de vidrio, podrían explotar por lo que no deben calentarse en este horno.
8. Utilice este electrodoméstico sólo para los fines que ha sido diseñado tal como se describe en este manual. No utilice químicos corrosivos u otras sustancias con este electrodoméstico. Este horno ha sido diseñado específicamente para calentar, cocinar o secar alimentos. No ha sido diseñado para usos industriales o de laboratorio.
9. Como con cualquier otro electrodoméstico, debe prestarse suma atención si va a ser utilizado por parte de niños.
10. No utilice el electrodoméstico si el cordón o el enchufe se encuentran dañados, si no funciona adecuadamente o si ha sufrido algún tipo de daño o caída.
11. **Todo servicio técnico debe ser llevado a cabo por parte del personal técnico calificado.**
12. No cubra ni obstruya las aberturas del horno.
13. No guarde ni utilice este electrodoméstico al aire libre.
14. No permita que este horno cerca del agua, por ejemplo cerca de un lavadero de cocina, en un sótano muy húmedo, cerca de una piscina u otros lugares similares.
15. No sumerja el cordón ni el enchufe en agua.
16. Mantenga el cordón lejos de cualquier superficie caliente.
17. No permita que el cordón cuelgue del borde de la mesa o repostero de cocina.
18. Al momento de efectuar la limpieza de las superficies de la puerta y del horno que entren en contacto con el cierre de la puerta, utilice un tipo de jabón o detergente no abrasivo aplicándolo con una esponja a un paño suave.

19. NO coma los alimentos inmediatamente después que se terminen de cocinar. Alimentos calentados, especialmente pizza pueden quemar su boca. Deje que los alimentos se enfríen a una temperatura segura antes de comer.

20. Esta aplicación se dedica solamente para el uso privado y doméstico.

21. Los líquidos, tales como el agua, café o té pueden sobrecalentarse más allá del punto de ebullición sin parecer haber hervido. El burbujeo o hervido visible de un recipiente al momento de sacarlo del horno de microondas no siempre está presente. ESTO PODRÍA OCASIONAR QUE UN LÍQUIDO CALIENTE REPENTINAMENTE ROMPA EL HERVOR AL MOMENTO DE ACCIONAR ALGÚN MOVIMIENTO O METER UNA CUCHARA U OTRO UTENSILIO DENTRO DEL LÍQUIDO.

- i) No sobrecaliente los líquidos.
- ii) Remueva el líquido antes y a la mitad del proceso de calentamiento.
- iii) No utilice envases o recipientes de lados verticales con cuellos angostos.
- iv) Después de calentar, deje que el envase o recipiente repose dentro del horno a microondas durante un periodo corto antes de retirarlo.
- v) Tenga sumo cuidado al momento de insertar una cuchara o cualquier otro utensilio dentro del envase o recipiente.

GUARDE ESTAS INSTRUCCIONES

INSTRUCCIONES DE CONEXIÓN A TIERRA

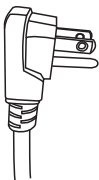
PELIGRO

Peligro de descarga eléctrica
Se podría producir lesiones serias o hasta la muerte si se toca algunos de los componentes internos del horno. No desarme el electrodoméstico.

ADVERTENCIA

Peligro de descarga eléctrica
Un aparato inapropiadamente conectada a tierra puede causar el impacto eléctrico. No enchufe el electrodoméstico hasta que éste haya quedado correctamente instalado y conectado a tierra.

**Enchufe de tres extremidades
(con salida a tierra)**



Este electrodoméstico debe quedar conectado a tierra. En el caso de un cortocircuito, la conexión a tierra reduce el riesgo de una descarga eléctrica ofreciendo un cable de escape para la corriente eléctrica. Con el fin de protegerse del impacto eléctrico, este aparato está equipado con un cordón que tiene un enchufe de tres dientes, conectado a tierra, para la inserción en un adecuado recipiente conectado a tierra. NI alterar el enchufe por otro de uso para un recipiente de dos dientes. NUNCA use un adaptador de tres patas para poder conectar el microondas a un enchufe de dos patas. Si el enchufe no acomoda al recipiente, hay que instalar un recipiente apropiado, lo que se realiza por un eléctrico calificado.

Consulte con un electricista calificado o un técnico sobre las instrucciones de conexión a tierra si no las comprende totalmente o si tuviera alguna duda de que su electrodoméstico haya quedado correctamente conectado a tierra. Si fuera necesario utilizar un cable de extensión, utilice un cable de 3 alambres que cuente con un enchufe de 3 extremidades y con un receptáculo de 3 ranuras donde se pueda conectar el enchufe del electrodoméstico. La resistencia eléctrica del cable de extensión debe ser igual o mayor a la resistencia eléctrica del electrodoméstico.

1. Un cable de abastecimiento corto reduce los riesgos derivados de enredarse o tropezarse con un cable más largo.
2. Cordones más largos o cables de más extensión están disponibles y pueden ser utilizados si se ejerce el cuidado en su uso.
3. Si se utiliza un cordón largo o conjuntos de cables de extensión:
 - i) La clasificación eléctrica del juego de cables o la clasificación eléctrica de las extensiones de juegos de cables o extensiones de cables deben ser al menos tan grande como la clasificación eléctrica del aparato.
 - ii) El cable de extensión debe ser cordón a tierra tipo 3-cable;
 - iii) El cable más largo debe ser colocado de manera que no cuelgue sobre el mostrador o la mesa, donde puede ser tirado por niños o tropezarse con él sin intención

Interferencia de radio

1. El funcionamiento de las microondas puede causar interferencias en la radio, la televisión o aparatos similares.
2. En caso de interferencia, esta puede ser reducida o eliminada tomando las siguientes medidas:
 - i) Limpie la puerta y la superficie de sellado del horno.
 - ii) Reoriente la antena receptora de radio o televisión.
 - iii) Traslade el microondas con respecto al receptor.
 - iv) Mueva el microondas lejos del receptor.
 - v) Conecte el microondas a una toma diferente de modo que el horno de microondas y el receptor estén en circuitos diferentes.

UTENSILIOS

PRECAUCIÓN

Peligro de lesiones personales
Es peligroso para cualquiera que no esté cualificado realizar reparaciones o mantenimiento que supongan retirar la tapa de mica que protege de la exposición a las microondas.

Véanse las instrucciones sobre "Materiales que pueden usarse o deben evitarse en el horno microondas." Algunos utensilios no metálicos pueden no ser seguros para su uso en un horno microondas. En caso de dudas, puede probar el utensilio en cuestión aplicando el procedimiento que se describe a continuación.

Prueba de utensilios:

1. Llene un recipiente apto para horno microondas con un vaso de agua fría (250ml) e introdúzcalo en el horno microondas con el utensilio en cuestión.
2. Cocine a la potencia más alta durante 1 minuto.
3. Toque con cuidado el utensilio. Si está caliente, no lo utilice para cocinar en el horno microondas.
4. No supere 1 minuto de cocción.

Materiales que se pueden usar en el horno a microondas

Observaciones

Lámina de aluminio	Solamente como protección. Pequeñas piezas lisas pueden ser usadas para cubrir partes delgadas de carne o pollo para prevenir sobre cocción. Puede ocurrir que se formen arcos si el film está muy cerca de las paredes del horno. El film debe estar por lo menos a 2,5 cm de distancia de las paredes del horno.
Bandeja doradora	Siga las instrucciones del fabricante. El fondo de la bandeja debe estar al menos a 5 mm arriba del plato giratorio. El uso incorrecto puede resultar en la rotura del plato giratorio.
Elementos para comida	Use solamente utensilios seguros para microondas. Siga las instrucciones del fabricante. No use platos rotos o astillados.
Jarras de vidrio	Quíteles siempre la tapa. Use solo para calentar alimentos hasta su punto justo. La mayoría de las jarras no son resistentes al calor y pueden romperse.
Cristalería	Use solamente cristalería resistente al calor del horno. Asegúrese de que no hay adornos metálicos. No use platos rotos o astillados.
Bolsas para cocinar en horno	Siga las instrucciones del fabricante. No las cierre con precintos. Asegúrese de que tengan aberturas para permitir la salida de vapores
Platos y vasos de papel	Uselos para cocción / calentamiento de corto tiempo. No deje el horno sin atención mientras cocina / calienta.
Servilletas de papel	Uselas para cubrir los alimentos para que retengan y absorban grasa. Deben usarse con supervisión para cocción de corto tiempo.
Pergaminos de papel	Uselo como cubierta para prevenir salpicaduras o como envoltura para cocción al vapor.
Plásticos	Solamente aptos para microondas. Siga las instrucciones del fabricante. Deben estar etiquetados como "Seguros para microondas". Algunos plásticos contienen aislantes de manera que los alimentos en su interior logren calentarse. Las "Bolsas para Hervir" y las bolsas plásticas herméticamente cerradas deben ser abiertas o perforadas y usar como vienen empaquetadas.
Cubiertas plásticas	Solamente aptas para microondas. Uselas para cubrir los alimentos durante la cocción para retener la humedad. No permita que las cubiertas plásticas entren en contacto con los alimentos.
Termómetros	Solamente aptos para microondas. (termómetros para carnes y dulces / caramelo).
Papel encerado	Uselo como una cubierta para prevenir salpicaduras y retener la humedad

Materiales a ser evitados en el horno a microondas

Observaciones

Respecto a los utensilios

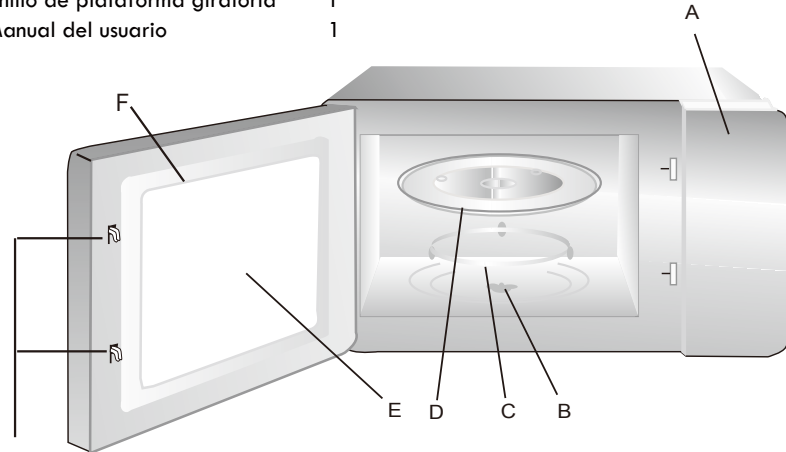
Bandeja de aluminio	Puede causar arcos. Pase los alimentos a un recipiente apto para microondas.
Caja de alimentos con manija metálica	Puede causar arcos. Pase los alimentos a un recipiente apto para microondas.
Utensilios de metal o con revestimientos metálicos	Los metales evitan que la energía de microondas vayan a los alimentos. Los adornos de metal pueden causar arcos.
Precintos o cierres de metal	Pueden causar arcos y podrían causar fuego dentro del horno.
Bolsas de papel	Pueden causar fuego en el horno.
Espumados plásticos	Los espumados plásticos pueden derretirse o contaminar el líquido dentro cuando son expuestos a altas temperaturas
Madera	La madera se secará cuando es usada en el horno a microondas y puede rajarse o romperse.

PREPARANDO SU HORNO A MICROONDAS

Nombres de las partes y accesorios

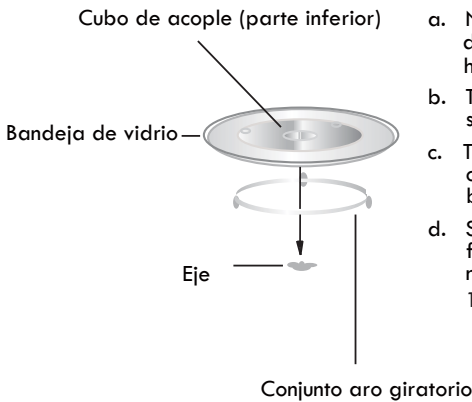
Retire el horno y todos los materiales de su caja y de la cavidad del horno. Su horno viene con los siguientes accesorios:

Bandeja de vidrio	1
Anillo de plataforma giratoria	1
Manual del usuario	1



- A) Panel de control
- B) Eje para bandeja giratoria
- C) Conjunto aro giratorio
- D) Bandeja de vidrio
- E) Ventana para observación
- F) Puerta del horno
- G) Sistema de seguridad de cierre

Instalación del plato giratorio



- a. Nunca coloque la bandeja de vidrio con el lado de arriba hacia abajo. Nunca se debe usar el horno sin esta bandeja.
- b. Tanto la bandeja de vidrio como el aro giratorio siempre deben usarse durante la cocción.
- c. Todos los alimentos o los envases que los contienen siempre deben colocarse sobre la bandeja de vidrio giratoria.
- d. Si la bandeja de vidrio o el aro giratorio se fisuran o rompen, conecta con el siguiente número de asistencia para la clientela: 1-800-657-6119.

Previo a la instalación

Retire todo el material de embalaje y los accesorios.

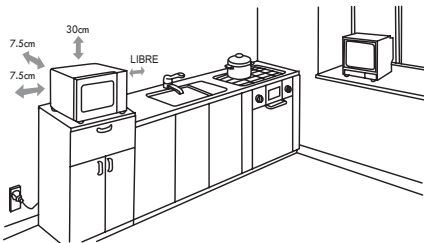
Examine el horno para descubrir si este tiene algún daño como ser abolladuras o la puerta desviada o rota.

Gabinete: Quite todo el film protector que encuentre en la superficie del gabinete.

No quite la tapa de Mica color marrón claro adherida dentro de la cavidad del horno, ya que esta sirve para proteger la válvula magnetrón.

Instalación

1. Elija una superficie nivelada que provea suficiente espacio abierto para la entrada y /o salida de aire para ventilación.



Una luz mínima de 7.5 cm se requiere entre el horno y cualquier pared adyacente. Un lado debe quedar libre.

- (1) Deje una luz mínima de 30 cm encima del horno.
- (2) No quite las patas de la base del horno.

- (3) El bloquear las aberturas de salida / entrada de aire pueden causar daño al horno.

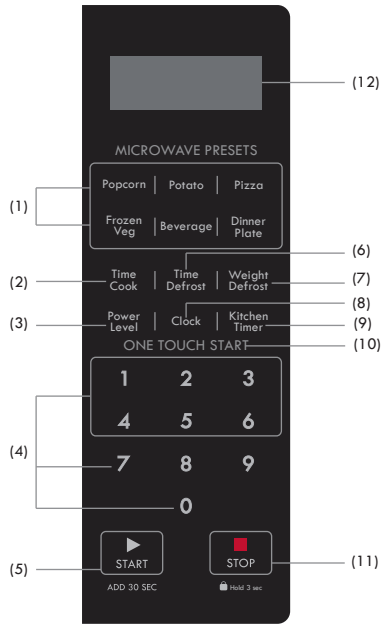
- (4) Colocar el horno tan lejos como sea posible de radios y televisores. El funcionamiento del horno microondas puede causar interferencias en la recepción de las emisiones de radio o TV.

2. Enchufe el horno en un tomacorriente normal doméstico con puesta a tierra. Asegúrese de que el voltaje y la frecuencia se correspondan con el marcado de la unidad en su etiquetado.

ADVERTENCIA: No instale el horno sobre una cocina o fogón u otro artefacto que produzca calor. Si lo instala cerca o sobre una fuente de calor, el horno puede dañarse y eso anulará la garantía.

FUNCIONAMIENTO

Panel de control y funciones



- (1) Ajustes prefijados del microondas (palomitas de maíz, papas, pizza, vegetales congelados, bebidas, plato de comida). Estos ajustes le permiten programar el tiempo de cocción fácilmente según la cantidad de comida.
- (2) Tiempo de cocción
- (3) Nivel de potencia
- (4) Teclado numérico
- (5) INICIAR/AÑADIR 30 SEG
- (6) Descongelación por tiempo
- (7) Descongelación por peso
- (8) Reloj
- (9) Temporizador
- (10) Teclas de cocción rápida (1-6)
- (11) PARAR/Presionar 3 seg.: Antes de cocinar, presiónelo para eliminar todos los ajustes previos. Mientras cocina, presiónelo una vez para detener el horno; presiónelo dos veces para detener la operación y borrar todos los ajustes. Presione el botón tres segundos para bloquear o desbloquear la pantalla.
- (12) Pantalla

OPERACIÓN

AJUSTE DEL RELOJ


Cuando conecte el horno microondas a un enchufe aparecerá "00:00" en la pantalla.

(1) Presione **Reloj**, aparecerá "Hr12" en la pantalla.

Presione **Reloj** dos veces y aparecerá "Hr 24" en la pantalla.

(2) Use el teclado numérico para entrar la hora. Por ejemplo, si son las 8:30, presione "8, 3, 0" en ese orden.

(3) Presione **Reloj** para completar el ajuste del reloj. Se mostrará ":" y aparecerán los números como la hora en la pantalla.

Aviso: (1) Si mientras ajusta el reloj, presiona el botón  o no presiona un botón en 25 segundos, la pantalla automáticamente regresará al modo de espera.

(2) Este reloj puede mostrar la hora en formato de 12 o 24 horas. Presione **Reloj** varias veces para seleccionar un formato de 12 o 24 horas.

TEMPORIZADOR

(1) Presione **Temporizador**, aparecerá "00:00" en la pantalla.

(2) Utilice el teclado numérico para entrar la cantidad de tiempo. La cantidad de tiempo máxima que puede entrar es 99 minutos y 99 segundos.


(3) Presione el botón  para confirmar el ajuste.

(4) Cuando transcurra la cantidad de tiempo seleccionada, escuchará un pitido largo.

Note: 1) La función Temporizador es diferente de Reloj; es simplemente un cronómetro.

2) La función Temporizador se puede usar con cualquier proceso de cocina.

3) Puede ver el tiempo transcurrido durante el proceso de medición al presionar Temporizador una vez por cinco segundos. Puede cancelar la medición del tiempo si

presiona  durante los cinco segundos en que se muestra el tiempo transcurrido.

TIEMPO DE COCCIÓN

(1) Presione **Tiempo De Cocción**, aparecerá "00:00" en la pantalla.

(2) Utilice el teclado numérico para entrar el tiempo de cocción; el tiempo de cocción máximo es 99 minutos y 99 segundos.

(3) Presione **Nivel De Potencia**; aparecerá PL10 en la pantalla. Este es el ajuste prefijado del nivel de potencia 100%. Presione los números del 0 al 9 usando el teclado numérico si desea seleccionar un nivel de potencia diferente. Vea la tabla de **Nivel De Potencia** a continuación.


(4) Presione  para comenzar a cocinar.


Ejemplo: Para cocinar alimentos con un nivel de potencia de 50% por 15 minutos.

a. Presione **Tiempo De Cocción**, aparecerá "00:00" en la pantalla.

b. Usando el teclado numérico entre "1, 5, 0, 0" en ese orden, aparecerá 15:00 en la pantalla.

c. Presione **Nivel De Potencia**, luego presione "5" para seleccionar un nivel de

d. Presione  para comenzar a cocinar.

Aviso: Si mientras usa el teclado numérico, presione el botón  o no presiona un botón en 25 segundos, la pantalla automáticamente regresará al modo de espera.

TIEMPO DE ESPERA

"Tiempo de espera" significa que después del tiempo de cocción, debe dejar que los alimentos reposen bien sea dentro o fuera del horno para que se terminen de cocinar. El tiempo de espera fuera del horno permite que el horno esté disponible para otros usos.

NIVEL DE POTENCIA

Hay diez niveles de potencia disponible.


Antes o durante el proceso de cocción, presione **Nivel De Potencia** y aparecerá

"PL10" en la pantalla. Puede ajustar la potencia usando el teclado numérico como se indica en la tabla a continuación.


Nivel	10	9	8	7	6	5	4	3	2	1
Potencia	100%	90%	80%	70%	60%	50%	40%	30%	20%	10%
Aparece en pantalla	PL10	PL-9	PL-8	PL-7	PL-6	PL-5	PL-4	PL-3	PL-2	PL-1

COCCIÓN RAPIDA

(1) Puede iniciar la cocción rápida a un nivel de potencia de 100% con una duración entre 1 y 6 minutos con solo presionar las teclas del 1 al 6 en el teclado.

(2) Puede iniciar la cocción rápida a un nivel de potencia de 100% por 30 segundos cada vez que presione el botón . Cada vez que lo presione se incrementará el tiempo de cocción en 30 segundos.

El tiempo de cocción máximo es de 99 minutos y 59 segundos.

Aviso: 1) Puede añadir tiempo en incrementos de 30 segundos cada vez que presiona  mientras cocina con el microondas.

2) No puede añadir tiempo al presionar  mientras usa las funciones Ajustes Prefijados, Descongelar Por Peso, y nivel de potencia.

FUNCIÓN DE DESCONGELAR POR PESO

(1) Presione **Descongelar Por Peso**, aparecerá "DEF1" en la pantalla.


Si presiona el botón sucesivamente aparecerán, "DEF1", "DEF2" y "DEF3" en ese orden.


Aparece en pantalla	DEF1	DEF2	DEF3
Alimento	Carnes	Aves	Pescados

(2) Use el teclado numérico para entrar el peso a descongelar.

El peso debe oscilar entre 4 y 100 onzas.


Si el peso entrado no oscila entre 4 y 100 onzas, será ignorado. El horno no funcionará hasta que entre números válidos.


- (3) Presione  para comenzar a descongelar y aparecerá el tiempo de cocción restante en la pantalla.

Aviso: Una vez transcurrida la mitad del tiempo de descongelación, el horno pausará el proceso y emitirá dos pitidos para recordarle que tiene que Gire girar los alimentos. los alimentos, cierre la puerta y presione  para continuar el ciclo de descongelación.

Si no hay actividad por 25 segundos durante el periodo de ajuste, el horno automáticamente regresará al modo de espera.

FUNCIÓN DE DESCONGELAR POR TIEMPO

- (1) Presione **Descongelar Por Tiempo**, aparecerá "00:00" en la pantalla.
- (2) Use el teclado numérico para entrar el tiempo de descongelación. Puede seleccionar entre 00:01 y 99:99 minutos.
- (3) Presione  para comenzar a descongelar. Aparecerá el tiempo de cocción restante en la pantalla.

Aviso: Una vez transcurridos dos tercios del tiempo de descongelación, el horno pausará el proceso y emitirá dos pitidos para recordarle que tiene que girar los alimentos. Gire los alimentos, cierre la puerta y presione  para continuar el ciclo de descongelación.

Si no hay actividad por 25 segundos durante el periodo de ajuste, el horno automáticamente regresará al modo de espera.

PALOMITAS DE MAÍZ

- (1) Presione **Palomitas De Maíz** para cocinar un paquete regular de 3.2 onzas. El horno comenzará inmediatamente y aparecerá el tiempo de cocción en la pantalla. El horno emitirá cuatro pitidos cuando termine de cocinar.
- (2) Si el paquete palomitas de maíz pesa menos de o más de 3.2 onzas, siga las instrucciones en el paquete. Coloque el paquete de palomitas en el centro del horno microondas.

PAPAS

- (1) Presione **Papas** varias veces hasta que aparezca el número deseado en la pantalla. Las opciones son, "1", "2" y "3".

Presione una vez para una papa, aproximadamente 8 onzas

Presione dos veces para dos papas, aproximadamente 16 onzas

Presione tres veces para tres papas, aproximadamente 24 onzas

- (2) El horno comenzará inmediatamente. El horno emitirá cuatro pitidos cuando termine de cocinar.

PLATO DE COMIDA

- (1) Presione **Plato De Comida** varias veces hasta que aparezca el número de onzas deseado en la pantalla. Las opciones son "9", "12" y "18".
- (2) El horno comenzará inmediatamente. El horno emitirá cuatro pitidos cuando termine de cocinar.

PIZZA

- (1) Presione **Pizza** varias veces hasta que aparezca el número de onzas deseado en la pantalla. Las opciones son "4", "8" y "16". Aviso: Una porción de pizza equivale aproximadamente a 4 onzas. El ajuste de 16 onzas está calculado para 4 piezas.
- (2) El horno comenzará inmediatamente. El horno emitirá cuatro pitidos cuando termine de cocinar.

ADVERTENCIA: NO coma la pizza inmediatamente después que se termine de cocinar. El queso derretido puede quemar su boca. Deje que la pizza se enfríe a una temperatura segura para comer.

BEBIDAS

- (1) Presione **Bebidas** varias veces hasta que aparezca el número de tazas deseado en la pantalla. Las opciones son "1", "2" y "3".
- (2) El horno comenzará inmediatamente. El horno emitirá cuatro pitidos cuando termine de cocinar.

VEGETALES CONGELADOS

- (1) Presione **Vegetales Congelados** varias veces hasta que aparezca el número de onzas deseado en la pantalla. Las opciones son "4", "8" y "16".
- (2) El horno comenzará inmediatamente. El horno emitirá cuatro pitidos cuando termine de cocinar.

COCCIÓN DE MÚLTIPLES ETAPAS

Puede programar un máximo de dos etapas de cocción.



Aviso: Las funciones **AJUSTES PREDETERMINADOS**, **DESCONGELACIÓN POR PESO**, y **DESCONGELACIÓN POR Tiempo** y **COCCIÓN RÁPIDA** no se pueden usar en la cocción de múltiples etapas.

Ejemplo: Cocinar con un nivel de potencia de 80% por cinco minutos, seguido de un nivel de potencia de 60% por 10 minutos;


- a. Presione **Tiempo De Cocción**, entre "5", "0" y "0" para fijar el tiempo de cocción de la primera etapa.
- b. Presione **Nivel De Potencia**, entre "8" para seleccionar 80% el nivel de potencia de la primera etapa.
- c. Presione **Tiempo De Cocción** otra vez, entre "1", "0", "0" y "0" para fijar el tiempo de cocción de la segunda etapa.
- d. Presione **Nivel De Potencia** otra vez, entre "6" para seleccionar 60% el nivel de potencia de la segunda etapa.

e. Presione  para comenzar inmediatamente la cocción de múltiples etapas.

FUNCIÓN DE BLOQUEO

Para bloquear el horno microondas para que niños u otros usuarios imprevistos no lo puedan operar, presione el botón  por tres segundos. Escuchará un pitido largo. Si el reloj ha sido ajustado, aparecerá “Loc” en la pantalla por tres segundos y el horno regresará al modo de espera. Aparecerá “Loc” en la pantalla por tres segundos cuando presione cualquier tecla. Para desbloquear, presione  por 3 segundos, escuchará un pitido largo y “Loc” desaparecerá de la pantalla.

Función recordatoria del final de la cocción

El horno emitirá cuatro pitidos para avisar al usuario que la cocción ha terminado. Aparecerá “End” en la pantalla. La hora aparecerá en la pantalla cuando abra la puerta o al presionar el botón .

MANTENIMIENTO

localización de defectos

Esta guía de mantenimiento y problemas ha sido desarrollada para que el usuario pueda referirse a ella en caso de que algún problema se presente con el aparato. Usted debe revisar esta guía antes de llamar a servicio técnico y determinar que lo que esta presentado el horno no sea posible resolverlo por medio de estas instrucciones.

PROBLEMA	POSIBLE CAUSA	POSIBLE SOLUCIÓN
El horno no da inicio a los procesos	a)El cable no esta conectado. b)Puerta esta abierta. c)Operación incorrecta.	a)Conecte el cable. b)Cierre la puerta. c)Revise las instrucciones.
Chispeo o contacto metálico	a)Materiales que no deben ser usados en el horno están dentro de el. b)El horno se opera cuando esta vacío. c)Restos de comida en la cavidad del horno.	a)Utilice solo utensilios de microondas. b)No opere vacío. c)Limpie la cavidad
Alimentos cocidos uniformemente	a)Materiales ajenos están siendo usados. b)La comida no esta por completo descongelada. c)El tiempo de cocción o poder de cocción es incorrecto. d)La comida no se ha volteado o batido.	a)Utilice solo utensilios para microondas. b)Descongele la comida por completo. c)Ajuste el tiempo y poder de cocción correctos. d)Voltee o bata los alimentos.
Alimentos sobrecalentadas	Tiempo de cocción o poder de cocción no esta ajustado adecuadamente.	Ajuste el tiempo de cocción y poder de la manera adecuada.
Alimentos crudas no cocidos	a)Materiales ajenos están siendo usados. b)La comida no esta por completo descongelada. c)La ventilación no es adecuada. d)Poder de cocción o tiempo incorrectos.	a)Utilice solo utensilios para microondas. b)Descongele la comida por completo. c)Revise que la ventilación sea la adecuada. d)Ajuste tiempo y poder adecuadamente
Descongelación inapropiado	a)Materiales ajenos están siendo usados. b)Poder de cocción o tiempo incorrectos. c)La comida no se ha volteado o batido.	a)Utilice solo utensilios de microondas. b)Ajuste tiempo y poder adecuadamente c)Voltee o bata los alimentos.

KENMORE LIMITED WARRANTY

FOR ONE YEAR from the date of sale this appliance is warranted against defects in material or workmanship when it is correctly installed, operated and maintained according to all supplied instructions.

WITH PROOF OF SALE a defective appliance will be replaced free of charge. For warranty coverage details to obtain free replacement, visit the web page: www.kenmore.com/warranty

This warranty does not cover the oven cavity light bulb, which is an expendable part that can wear out from normal use within the warranty period.

This warranty is void if this appliance is ever used for other than private household purposes.

This warranty gives you specific legal rights, and you may also have other rights which vary from state to state.

Sears Brands Management Corporation, Hoffman Estates, IL 60179

GARANTÍA LIMITADA DE KENMORE

DURANTE UN AÑO a partir de la fecha de venta, este electrodoméstico, posee garantía contra defectos en los materiales o en la mano de obra cuando se instale, opere y mantenga correctamente de acuerdo con todas las instrucciones provistas.

CON EL COMPROBANTE DE VENTA, un electrodoméstico defectuoso será reemplazado gratuitamente.

Para ver los detalles de cobertura de la garantía a fin de obtener un reemplazo gratis, visite la página web:

www.kenmore.com/warranty

Esta garantía no cubre la bombilla dentro del horno, que es una pieza consumible que se puede desgastar con el uso normal dentro del periodo de garantía.

Esta garantía se anula si este electrodoméstico se usa para cualquier propósito que no sea el uso doméstico privado.

Esta garantía le otorga derechos legales específicos, y es posible que tenga también otros derechos, los cuales varían de un estado a otro.

Sears Brands Management Corporation, Hoffman Estates, IL 60179



Free Manuals Download Website

<http://myh66.com>

<http://usermanuals.us>

<http://www.somanuals.com>

<http://www.4manuals.cc>

<http://www.manual-lib.com>

<http://www.404manual.com>

<http://www.luxmanual.com>

<http://aubethermostatmanual.com>

Golf course search by state

<http://golfingnear.com>

Email search by domain

<http://emailbydomain.com>

Auto manuals search

<http://auto.somanuals.com>

TV manuals search

<http://tv.somanuals.com>