

Kenmore 30-Inch Manual-Clean Coil Range



Selection	
White w/Black	22-90831
Bisque w/Black	22-90830
Oven Features	
Oven Capacity (cu. ft.)	4.6
Cleaning System	Manual-Clean
Electronic Dial/Oven Controls	Easy Set™ 105
Automatic Oven Shutoff	•
Broiling System	Variable Hi/Normal/Lo
Total Adjustable Oven Racks	2
Broiler Pan and Grill	Mail-In Offer
Oven Light	•
Removable Glass Door	•
Frameless Door	•
Window	•
Deluxe Reach-Through Handle	•
Oven Interior WxHxD (Inches)	23 x 18 13/16 x 19 3/16
Cooktop Features	
Element Type	Deluxe Coil
8-in. (Watts)	2@2,600

6-in. (Watts)	2@1,500
Dishwasher-Safe Knobs	•
Removable Knobs	•
Removable Drip Pans	Chrome
Upswept Cooktop	•
Lift-Up Cooktop	•
Cooktop On Indicator Light	•
General Features	
Drawer	Storage
Power Rating (kW) @ 240V/208V	11.5/8.5
Bake/Broil @ 240V Watts	2,600/3,000
Bake/Broil @ 208V Watts	1,950/2,250
Breaker/Copper Wire Size (240V)	40/8
Shipping Weight (Approx. Lbs.)	150
Warranty	
1-Year Limited Warranty – Entire Appliance	Parts & Labor

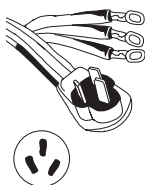
If used for other than private family purposes, warranty applies for only 90 days.

22-90831 – White w/Black
22-90830 – Bisque w/Black

Model	Overall	Console	Controls	Door	Drawer	Sides	Handle	Surface	Drip Pans
22-90831	White w/Black	Black	Black	Black	White	White	Black	White	Chrome
22-90830	Bisque w/Black	Black	Black	Black	Bisque	Bisque	Black	Bisque	Chrome

- 4.6 cu. ft. manual-clean porcelain oven with removable glass door
- Two 8" @ 2,600W and two 6" @ 1,500W coil elements
- Easy Set™ 105 electronic oven controls
- Chrome drip pans
- Lift-up porcelain cooktop
- Storage drawer

22-49614
22-49616

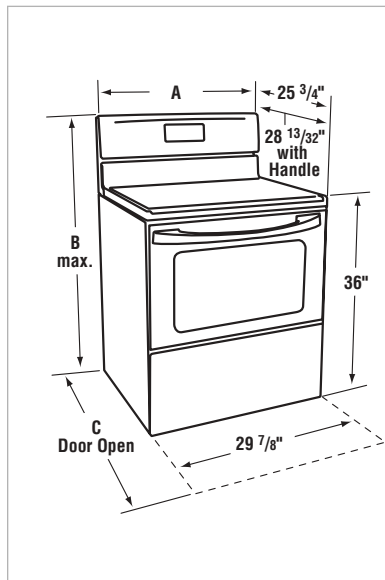
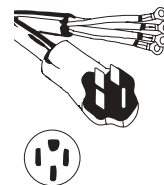


Range Cords for Electric Ranges

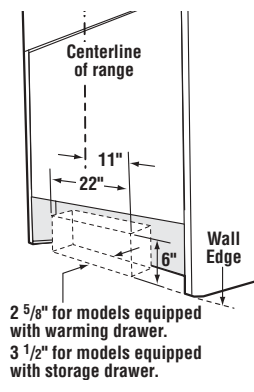
Order	Wire	Length
22-49614	3	4 ft.
22-49616	3	6 ft.
22-49624*	4	4 ft.
22-49626*	4	6 ft.

*Complies with 1/1/96 NEC code revision for new construction and remodeling

22-49624
22-49626

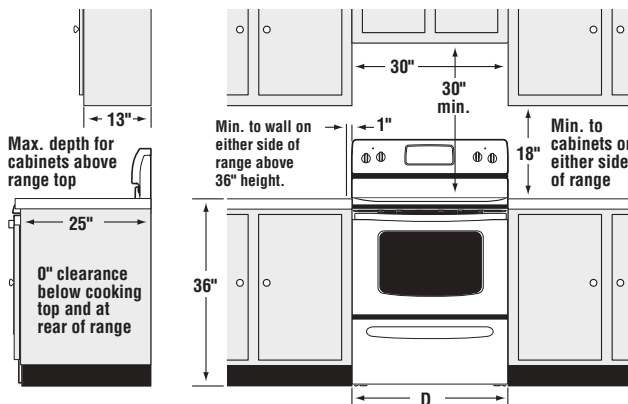


Dashed cubed area shows where the electrical outlet must be installed for flush to the wall installation. All dimensions for electrical outlet location are maximum.



Dimensions, Inches (*/- 1/8")

	A	B	C	D
22-90832/4/9	30 1/8	47 3/4	44 3/4	30



Free Manuals Download Website

<http://myh66.com>

<http://usermanuals.us>

<http://www.somanuals.com>

<http://www.4manuals.cc>

<http://www.manual-lib.com>

<http://www.404manual.com>

<http://www.luxmanual.com>

<http://aubethermostatmanual.com>

Golf course search by state

<http://golfingnear.com>

Email search by domain

<http://emailbydomain.com>

Auto manuals search

<http://auto.somanuals.com>

TV manuals search

<http://tv.somanuals.com>