



Dishwasher

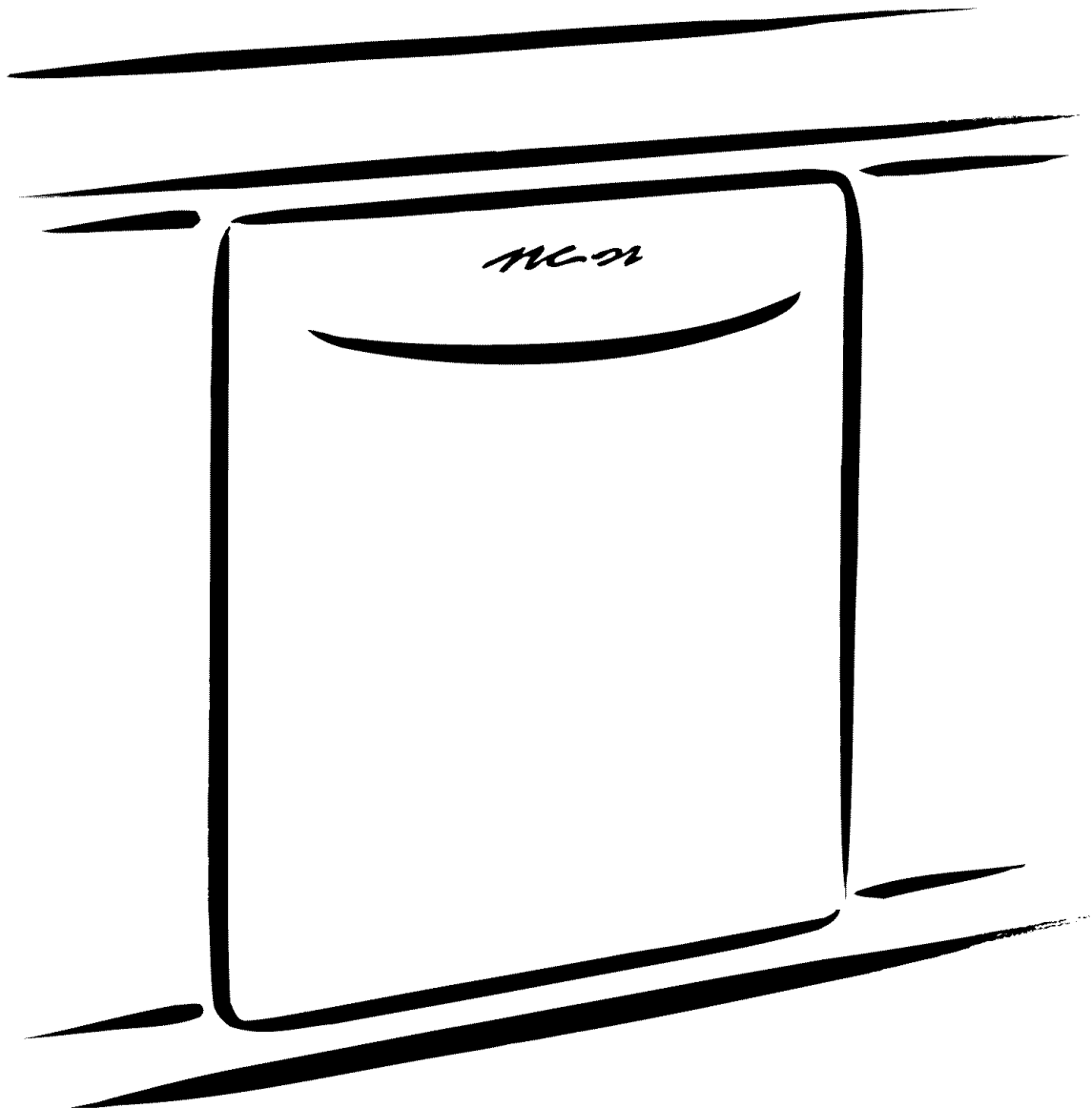
Use & Care Guide

Lavavajillas

Manual de uso y cuidado

Model/Modelo 587.1415*, 587.1515*, 587.1516*, 587.1615*, 587.1616*

*=color number, número de color



ENGLISH

ESPAÑOL

Table of Contents

Warranty	3
Safety Instructions	4
Before Using Your Dishwasher	5
Dishwasher Features	6
Wash System	7
Operating Instructions	8-9
Preparing and Loading Dishes	10-12
Dishwasher Dispenser and Detergents	13-14
Factors Affecting Performance	14
Care and Cleaning	15
Solutions to Common Dishwashing Problems	16-18
Service	Back Cover

Master Protection Agreements

Congratulations on making a smart purchase. Your new Kenmore® appliance is designed and manufactured for years of dependable operation. But like all products, it may require preventive maintenance or repair from time to time. That's when having a Master Protection Agreement can save you money and aggravation.

Purchase a Master Protection Agreement now and protect yourself from unexpected hassle and expense.

The Master Protection Agreement also helps extend the life of your new appliance. Here's what's included in the Agreement:

- Expert Service** by our 12,000 professional repair specialists
- Unlimited service and no charge** for parts and labor on all covered repairs
- “No-lemon” guarantee** – replacement of your covered product if more than three product failures occur within twelve months
- Product replacement** if your covered product can't be fixed
- Annual Preventive Maintenance Check** at your request - no extra charge
- Fast help by phone** – non-technical and instructional assistance on products repaired in your home, plus convenient repair scheduling
- Power surge protection** against electrical damage due to power fluctuations
- Rental reimbursement** if repair of your covered product takes longer than promised

Once you purchase the Agreement, a simple phone call is all that it takes for you to schedule service. You can call anytime day or night, or schedule a service appointment online.

Sears has over 12,000 professional repair specialists, who have access to over 4.5 million quality parts and accessories. That's the kind of professionalism you can count on to help prolong the life of your new purchase for years to come. Purchase your Master Protection Agreement today!

Some limitations and exclusions apply. For prices and additional information call 1-800-827-6655.

Sears Installation Service

For Sears guaranteed professional installation of home appliances and items like garage door openers and water heaters, in the U.S.A. call **1-800-4-MY-HOME®**.

ENGLISH

Warranty

FULL ONE-YEAR WARRANTY ON KENMORE DISHWASHERS

For one year from the date of purchase, when this dishwasher is installed and operated according to instructions provided in the Installation Instructions and Use & Care Guide, Sears will repair this dishwasher, free of charge, if defective in material or workmanship.

FULL TEN-YEAR WARRANTY AGAINST LEAKS IN THE TUB AND INNER DOOR PANEL

For ten years from the date of purchase, if a leak should occur as a result of failure of the polypropylene tub or inner door panel due to cracking, chipping or peeling, Sears will replace free of charge the tub or inner door panel.

WARRANTY RESTRICTION

If the dishwasher is subject to other than private family use, the above warranty coverage is effective for only 90 days.

WARRANTY SERVICE

WARRANTY SERVICE IN THE U.S.A. IS AVAILABLE BY CONTACTING SEARS AT **1-800-4-MY-HOME®**. This warranty applies only while the product is in use in the United States. This warranty gives you specific legal rights and you may also have other rights which vary from state to state.

For Sears Warranty information in the United States, please reference the service numbers located on the back page of this manual.

**Sears, Roebuck and Co.,
Dept. 817WA, Hoffman Estates, IL 60179**

In the space below, record your complete model number, serial number and purchase date. You can find this information on the model and serial number label, located as shown in the Dishwasher Features section of this book. Have this information available to help you quickly obtain assistance or service when you contact Sears concerning your appliance.

Model Number: 587. _____

Serial Number: _____

Purchase Date: _____

Save these instructions and your sales receipt for future reference.

ENGLISH

Dishwasher Safety

Your safety and the safety of others are very important.

We have provided many important safety messages in the manual and on your appliance. Always read and obey all safety messages.



This is the safety alert symbol.

This symbol alerts you to potential hazards that can kill or hurt you and others.

All safety messages will follow the safety alert symbol and either the word "DANGER" or "WARNING." These words mean:

⚠ DANGER

You can be killed or seriously injured if you don't immediately follow instructions.

⚠ WARNING

You can be killed or seriously injured if you don't follow instructions.

All safety messages will tell you what the potential hazard is, tell you how to reduce the chance of injury, and tell you what can happen if the instructions are not followed.

IMPORTANT SAFETY INSTRUCTIONS

WARNING: When using the dishwasher, follow basic precautions, including the following:

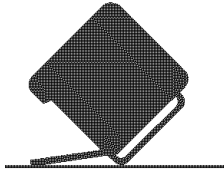
- ⌚ Read all instructions before using the dishwasher.
- ⌚ Use your dishwasher only as instructed in this Use and Care Guide.
- ⌚ Use only detergents or rinse agents recommended for use in a dishwasher, and keep them out of the reach of children.
- ⌚ When loading items to be washed:
 - Locate sharp items and knives so that they are not likely to damage the door seal or tub.
 - Load sharp items and knives with the handles up to reduce the risk of cut-type injuries.
- ⌚ Do not wash plastic items unless marked "dishwasher safe" or the equivalent. Check with manufacturer for recommendations, if not marked. Items that are not dishwasher safe may melt and create a potential fire hazard.
- ⌚ Do not touch the heating element during or immediately after use.
- ⌚ Do not operate your dishwasher unless all enclosure panels are properly in place.
- ⌚ If the dishwasher drains into a food disposer, make sure disposer is completely empty before running dishwasher.
- ⌚ Disconnect electrical power to dishwasher before servicing.
- ⌚ Do not tamper with controls.
- ⌚ Do not let children abuse, sit, stand or play on door or racks of a dishwasher.
- ⌚ Keep young children and infants away from dishwasher when it is operating.
- ⌚ Under certain conditions, hydrogen gas may be produced in a hot water system that has not been used for two weeks or more. **HYDROGEN GAS IS EXPLOSIVE.** If the hot water system has not been used for such a period, before using the dishwasher turn on all hot water faucets and let the water flow from each for several minutes. This will release any accumulated hydrogen gas. As the gas is flammable, do not smoke or use an open flame during this time.
- ⌚ To avoid entrapment and/or suffocation, remove door or door latch mechanism from any dishwasher that is discarded or not in use.

SAVE THESE INSTRUCTIONS

ENGLISH

Before Using Your Dishwasher

⚠ WARNING



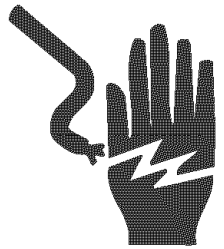
Tip Over Hazard

Do not use dishwasher until completely installed.

Do not push down on open door.

Doing so can result in serious injury or cuts.

⚠ WARNING



Electrical Shock Hazard

Electrically ground dishwasher.

Connect ground wire to green ground nut in terminal box.

Do not use an extension cord.

Failure to do so can result in death, fire, or electrical shock.

GROUNDING INSTRUCTIONS

⌚ For a grounded, cord-connected dishwasher:

The dishwasher must be grounded. In the event of a malfunction or breakdown, grounding will reduce the risk of electric shock by providing a path of least resistance for electric current. The dishwasher is equipped with a cord having an equipment-grounding conductor and a grounding plug. The plug must be plugged into an appropriate outlet that is installed and grounded in accordance with all local codes and ordinances.

WARNING: Improper connection of the equipment-grounding conductor can result in a risk of electric shock. Check with a qualified electrician or service representative if you are in doubt whether the dishwasher is properly grounded. Do not modify the plug provided with the dishwasher. If it will not fit the outlet, have a proper outlet installed by a qualified electrician.

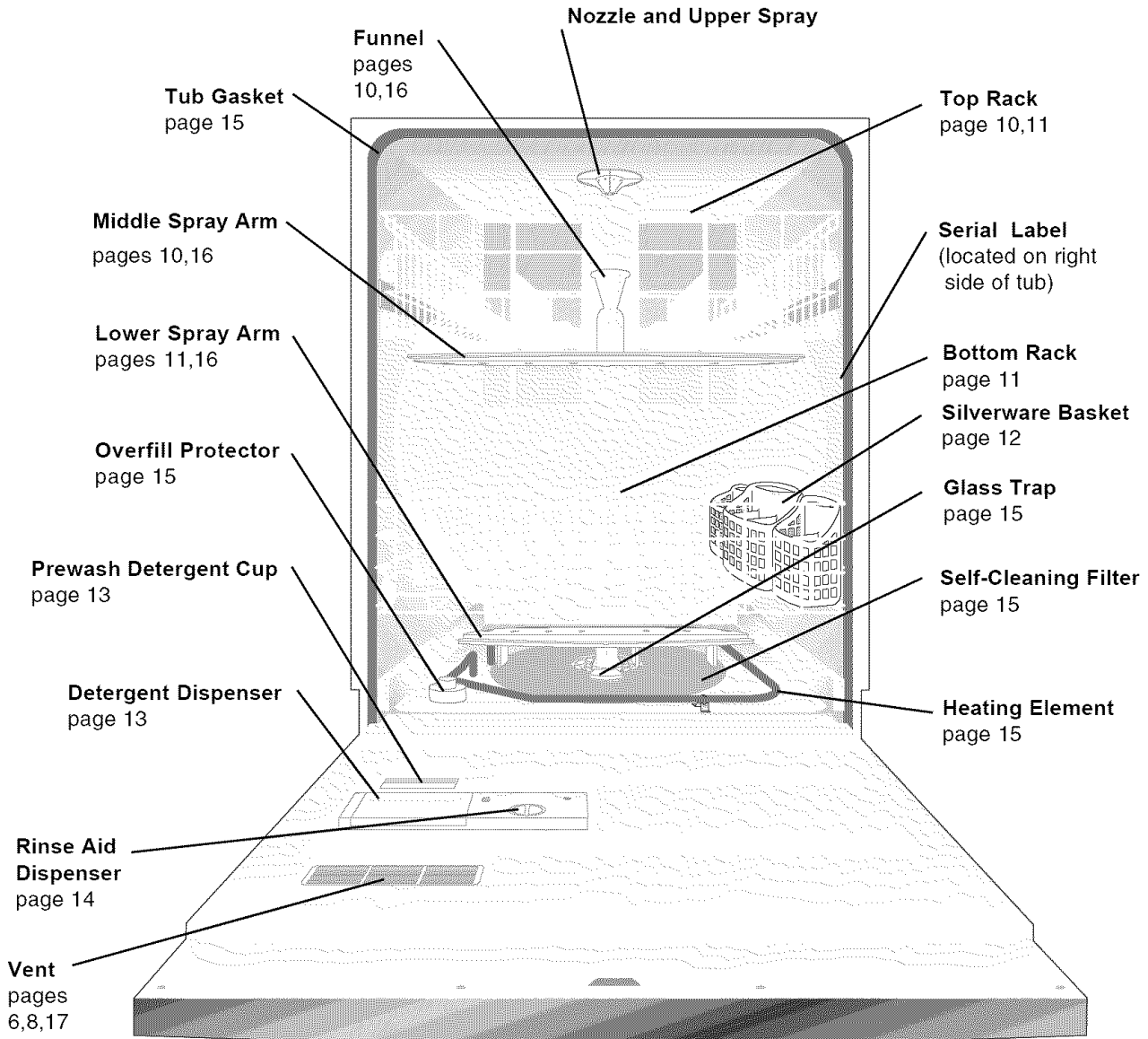
⌚ For a permanently connected dishwasher:

The dishwasher must be connected to a grounded metal, permanent wiring system, or a equipment-grounding conductor must be run with the circuit conductors and connected to the equipment-grounding terminal or lead on the dishwasher.

SAVE THESE INSTRUCTIONS

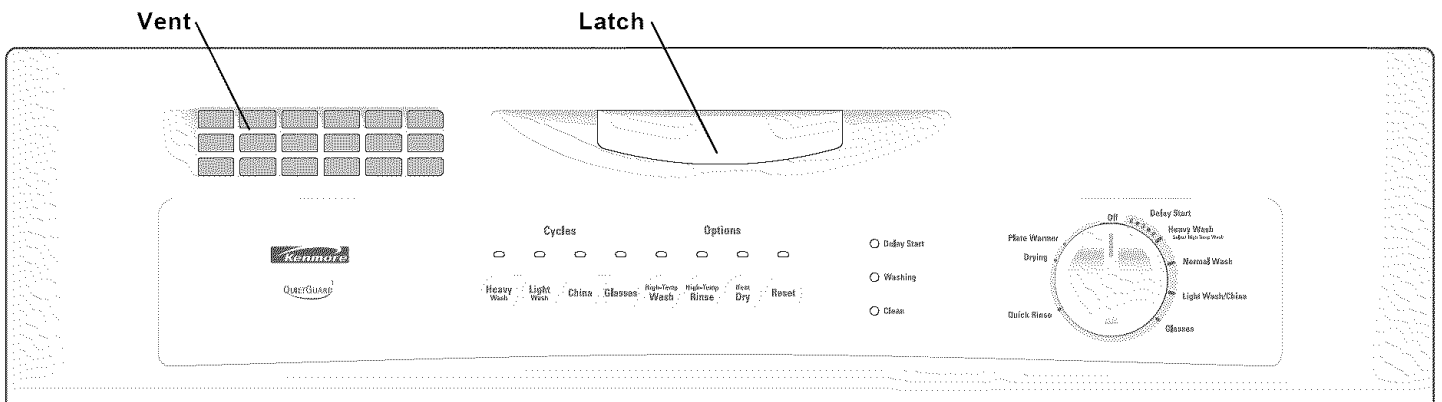
ENGLISH

Dishwasher Features



ENGLISH

Control Panel



Appearance may vary from your model.

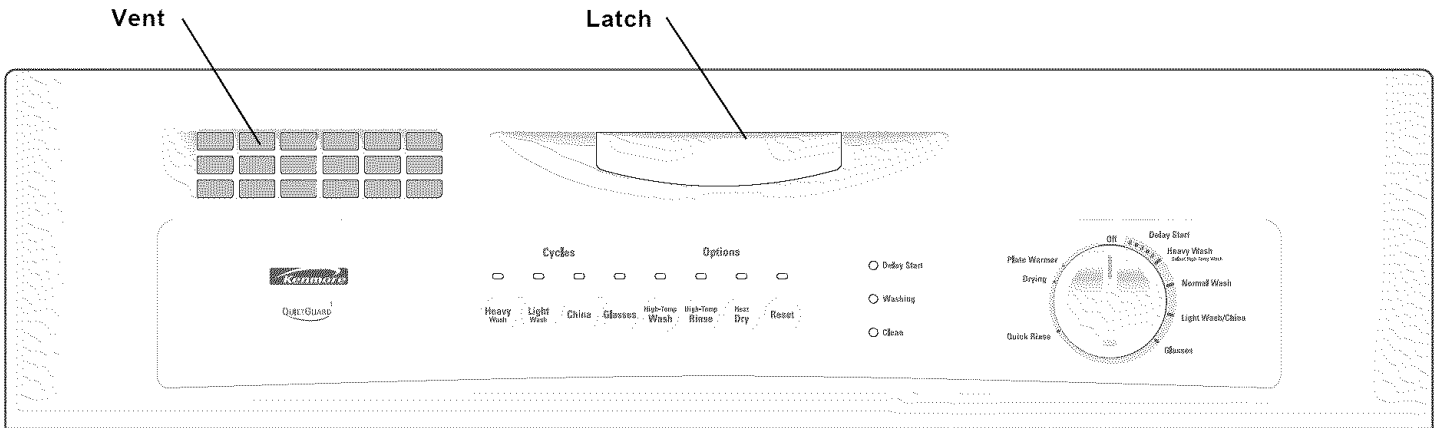
Wash System

Your Kenmore dishwasher filters 100% of the water for optimum cleaning. The wash system uses alternating arms to save water and energy and includes a heavy-duty stainless steel food disposer that grinds up large food particles.

How the wash system works

1. Load the dishwasher (See Preparing and Loading Dishes).
2. Hot water enters the dishwasher and covers the filter.
3. Detergent is dispensed at the appropriate time and mixed with the hot water. This mixture is pumped through the lower spray arm and sprays against the soiled surfaces of the dishes to remove food particles.
4. Water passes through the fine mesh primary filter where food soil is removed and the clean water is then recirculated.
5. Ports under the lower wash arm direct the food soil through a secondary filter into a collection chamber.
6. Food soil is held in the collection chamber until it is flushed away during the drain cycle.
7. Clean, hot water enters the dishwasher and the sequence is repeated.
8. Beginning with the third water fill, the wash action switches between the lower spray arm and middle spray arm in 90 second intervals. You may notice a change in sound as the wash action pauses and switches to the other arm.
9. The dishwasher may pause during the cycle while water is being heated. Wash action will continue during this time.
10. Rinse aid is automatically dispensed in the final rinse to aid in drying.

Operating Instructions



Appearance may vary from your model.

Getting Started

1. Load dishwasher (See Preparing and Loading Dishes).
2. Add detergent (See Dishwasher Dispenser & Detergents).
3. Add rinse aid, if needed (See Rinse Aid).
4. Turn dial clockwise to select cycle (See Cycle Chart) or number of hours for wash delay.
5. Select desired OPTIONS (See Option Selections). The indicator will show red when selected.
6. If using WASH DELAY, go to step number 8.
7. Run hot water faucet nearest dishwasher until water is hot. Turn water off.
8. To start, close door to latch.

Plate Warmer

For warming dishes and serving plates before serving hot foods:

- Load clean plates and dishes to be warmed.
- Turn dial to PLATE WARMER.
- Select HEAT DRY option.

Status Indicator Lights

When DELAY START option is selected, the Delay Start light will glow as timer counts down to begin cycle.

The WASHING LIGHT comes on at the beginning of the cycle and remains on until the end of the main wash.

CLEAN light comes on when a cycle is complete. To turn it off, turn dial slightly until light goes off.

Wash Delay

Allows you to delay starting the HEAVY WASH cycle.

- Turn dial to select number of hours.
- Select HIGH TEMP WASH option and other desired options.
- Close door to latch.

ENGLISH

Operating Instructions (continued)

Wash Cycle Selections

Note: Cycle times are approximate and will vary with options selected. Not all cycles available on all models.

Cycle Chart					
Cycle	Description	To Select Cycle	Water (approx.)	Time* (approx.)	Washes/Rinses
Heavy Wash	For heavily soiled dishes and silverware.	<ul style="list-style-type: none"> • Turn dial to HEAVY WASH. • Select desired OPTIONS. 	7.2 gal. 27.3 liters	1 1/2 hrs.	2 washes 4 rinses
Normal Wash	For regularly soiled dishes and silverware.	<ul style="list-style-type: none"> • Select desired options. • Turn dial to NORMAL WASH. 	6.0 gal. 22.7 liters	1 1/4 hrs.	2 washes 3 rinses
Light	For lightly soiled or pre-rinsed dishes and silverware.	<ul style="list-style-type: none"> • Press LIGHT WASH pad. • Select desired options. • Turn dial to LIGHT/CHINA. 	4.8 gal. 18.2 liters	1 1/4 hrs.	1 wash 3 rinses
China	For lightly soiled china and crystal.	<ul style="list-style-type: none"> • Press CHINA pad. • Select drying option. • Turn dial to LIGHT/CHINA. <p>Note: HIGH-TEMP WASH option is not recommended for use with this cycle.</p>	4.8 gal. 18.2 liters	1 1/4 hrs.	1 wash 3 rinses
Glasses	For glasses and other lightly soiled items.	<ul style="list-style-type: none"> • Press GLASSES pad. • Select desired options. • Turn dial to GLASSES. 	3.6 gal. 13.6 liters	1 hrs.	1 wash 2 rinses
Quick Rinse	For rinsing dishes that will be washed later.	<ul style="list-style-type: none"> • DO NOT USE detergent. • Turn dial to QUICK RINSE. • Select HEAT DRY OFF. 	1.2 gal. 4.5 liters	1/4 hrs.	1 rinse

* Includes dry time.

ENGLISH

Option Selections

Heated Wash Option

When HIGH TEMP WASH option is selected, the dishwasher heats the water in the main wash to approximately 140°F (60°C). Wash action will continue but timer will not advance until proper temperature is reached. The hotter water provided by this option helps activate dishwasher detergent to clean food grease and soil from dishes. HIGH TEMP WASH ON option can be used with any cycle except QUICK RINSE.

To turn off option, press RESET button.

Heated Rinse Option

When HIGH TEMP RINSE option is selected, the dishwasher heats the water in the final rinse to approximately 140°F (60°C). This will speed drying and reduce spotting. HIGH TEMP RINSE option can be used with any cycle except QUICK RINSE.

To turn off option, press RESET button.

Heated Dry Option

The Heated Dry option in combination with rinse aid will give you excellent drying results. The energy to use Heated Dry cost pennies per cycle. You may turn off the Heated Dry option, however you will have items in your dish load that will not be dry at the end of the cycle.

With either option, you may see water vapor coming from vent during the drying portion of the cycle. The vent is closed during washing to hold moisture and sound inside and then opens for drying.

The drying option may be changed at any time during the cycle and affects only the drying period.

To turn off option, press RESET button.

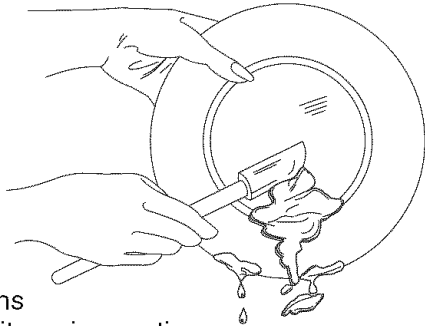
Preparing and Loading Dishes

Dish Preparation

Scrape away large pieces of food, bones, pits, toothpicks, etc. The continuous filtered wash system will remove remaining food particles. Burned-on foods should be loosened before loading. Empty liquids from glasses and cups.

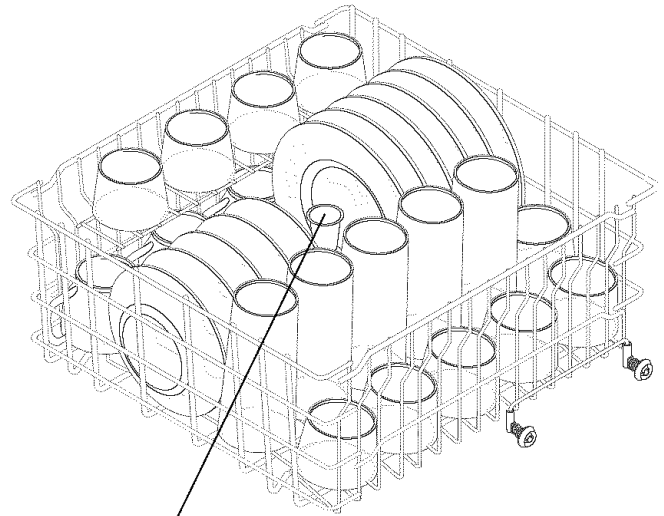
Foods such as mustard, mayonnaise, vinegar, lemon juice and tomato based products may cause discoloration of stainless steel and plastics if allowed to sit for a long period of time. Unless the dishwasher is to be operated at once, it is best to rinse off these food soils.

- Load racks so that large items do not prevent the detergent dispenser from opening.
- Check manufacturer's recommendations before washing items in question.
- If the dishwasher drains into a food disposer, **be sure disposer is completely empty before starting dishwasher.**

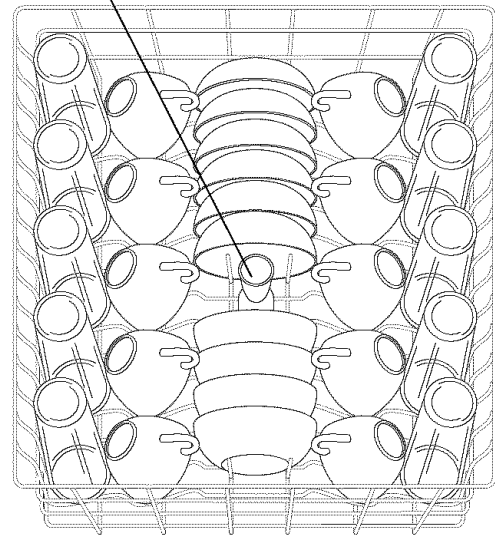


Long-handled knives and utensils can be placed in top rack.

Be sure nothing protrudes through the bottom of the rack to block rotation of middle spray arm.



Do not cover funnel



10 place setting

Loading the Top Rack

Features and appearance of racks and silverware basket may vary from your model.

Important: Do not cover the funnel when loading.

The top rack is designed for flexibility in loading a wide variety of items including cups, glasses, stemware, small plates, bowls, etc.

Load glasses in top rack. Damage may occur if placed in bottom rack.

Load plastic items in top rack only. Melting may occur if placed in bottom rack.

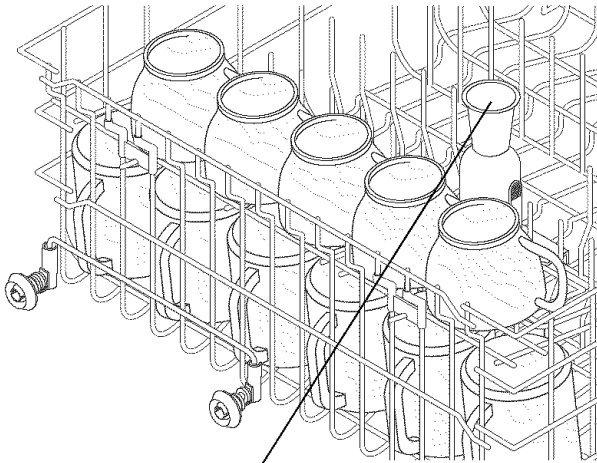
Load items with open ends facing down for better cleaning and draining.

Damage may occur if delicate items touch each other during dishwasher operation.

ENGLISH

Preparing and Loading Dishes (continued)

Some models have a fold-down cup shelf or a cup shelf/stemware holder. They can be used to load two levels of cups, juice glasses, and other short items. Stagger items on upper level so that water can reach all inside surfaces. Fold up to load tall glasses.



Do not cover funnel

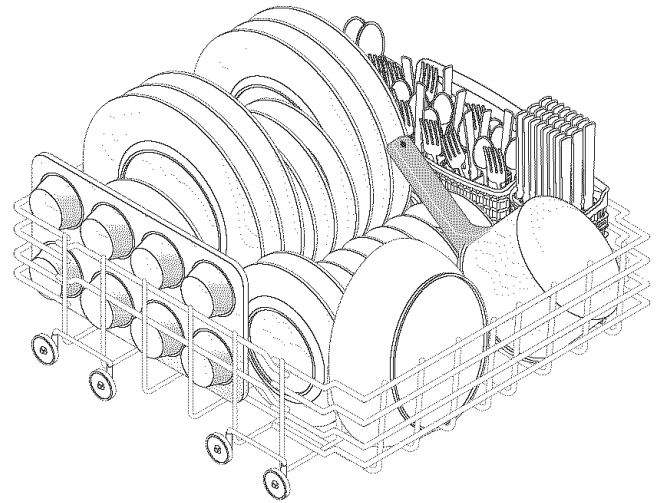
Loading the Bottom Rack

Features and appearance of racks and silverware basket may vary from your model.

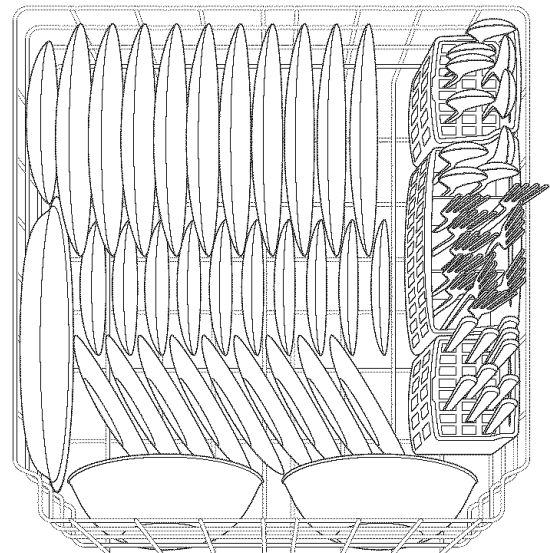
The bottom rack is best for plates, saucers, bowls, and cookware. Large items should be placed along the edge so they do not block the spray arm rotation. For best results, place bowls, casseroles, and sauce pans with soiled surface facing down or toward the center. Tilt slightly for better drainage.

Make sure tall items do not block spray arm rotation.

Be sure pan handles do not protrude through the bottom of the rack and block the spray arm rotation.



ENGLISH



10 place setting

Preparing and Loading Dishes (continued)

Loading the Silverware Basket

CAUTION

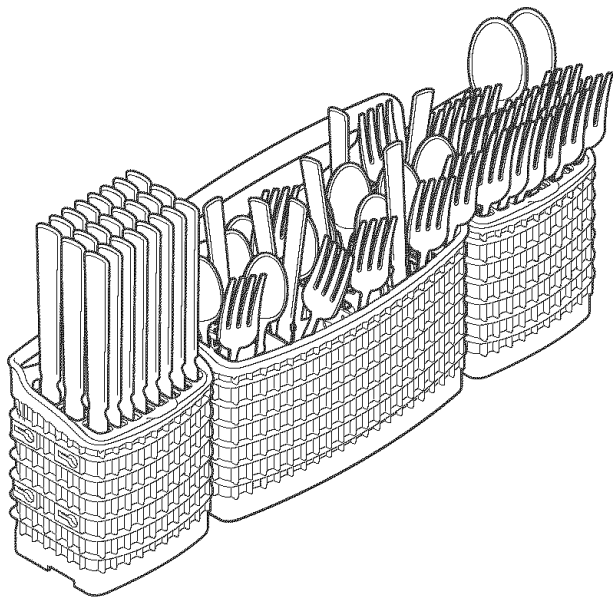
Cut Injury

Load sharp items (knives, skewers, etc.) pointing down.

Failure to do so may result in injury.

Load the silverware basket while it is in the bottom rack or take the basket out for loading on a counter or table.

Place small items like baby bottle caps, jar lids, corn cob holders, etc., in a covered section. Close the cover to hold small items in place.



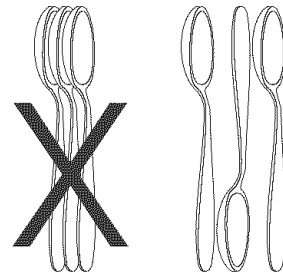
Use suggested loading patterns, as shown, to increase washability of your silverware.

Be sure nothing protrudes through bottom of basket or rack to block the spray arm.

Do not mix silver and stainless to avoid damaging the silver finish.

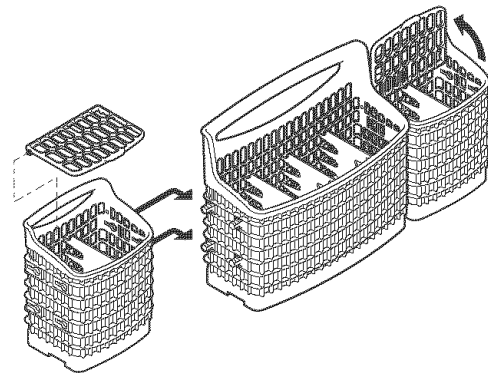
The silverware basket can be separated and placed in several locations in the bottom rack. Load silverware in all sections or just one, depending on your load.

When covers are up, mix items in each section of the basket with some pointing up and some down to avoid nesting. Water spray cannot reach nested items.



To remove small basket:

1. Hold the center basket and one small basket. Slide the small basket back to release the tabs from the corresponding slots.
2. Pull the baskets apart.



Adding a Dish

To add or remove items after wash cycle starts:

- Unlatch door and wait a few seconds until wash action stops before opening.
- Add the item and wait a few seconds to allow cold air to slowly expand inside dishwasher.
- Close door firmly to latch and resume cycle.

ENGLISH

Dishwasher Dispenser & Detergents

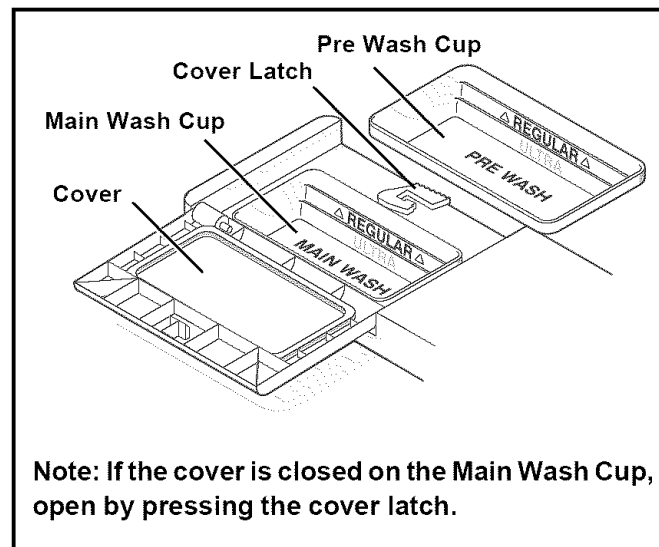
Filling the Detergent Dispenser

The detergent dispenser has one covered and one uncovered cup. Detergent in the uncovered cup falls into the dishwasher when the door is closed. The covered cup opens automatically to release detergent.

- Use only fresh automatic dishwashing detergent. Other detergents will cause oversudsing.
- When using automatic dishwashing detergent tabs, place one tab in main wash cup and close.
- Add detergent just before starting cycle.
- Store detergent in a cool, dry location. Moist or caked detergent will not dissolve properly.

How much Detergent to use

The amount of detergent to use depends on the water hardness. Water hardness is measured in grains per gallon. Using too little detergent can result in poor cleaning and hard water filming or spotting. Using too much detergent in soft water can cause a permanent film called etching. Your local water company, water softener company or county extension agent can tell you the water hardness in your area.



ENGLISH

Detergent Usage Guide				
Cycle	Soft Water (0-3 grains)	Medium Hard Water (4-8 grains)	Hard Water (9-12 grains)	Very Hard Water* (over 12 grains)
Heavy Wash or Normal Wash	2 teaspoons (each cup— 1/4 full)	5 teaspoons (each cup—fill to line above "Regular")	8 teaspoons (each cup— completely full)	Each Cup— Completely Full (water softener recommended)
Light Wash or China	2 teaspoons (Main Wash cup— 1/4 full)	5 teaspoons (Main Wash cup—fill to line above "Regular")	8 teaspoons (Main Wash cup— completely full)	Main Wash Cup— Completely Full (water softener recommended)
Quick Rinse	No Detergent	No Detergent	No Detergent	No Detergent (water softener recommended)

*Note: For very hard water, detergent alone may not be enough. A water softener is recommended to improve water quality and dishwashing performance. Try adding more detergent at the beginning of the main wash portion of the cycle. As a rule, use 1 teaspoon for each grain above 12. Unlatch the door, open slowly and add detergent to the bottom of the tub. Close the door to latch and the dishwasher will continue through the cycle.

Dishwasher Dispenser & Detergents (continued)

Rinse Aid

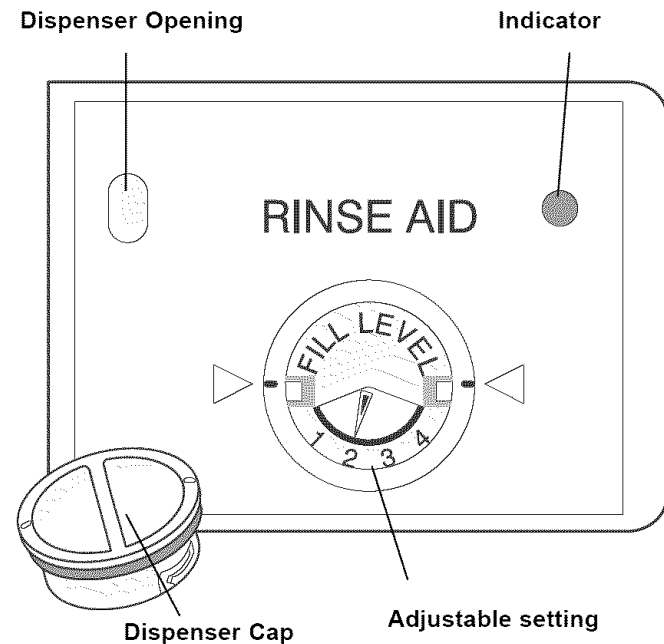
Rinse aid greatly improves drying and reduces water spots and filming. Water "sheets" off dishes rather than forming water droplets that cling and leave spots.

A dispenser, located next to the detergent cup, automatically releases a measured amount of rinse aid during the last rinse. If spotting and poor drying are problems, increase the amount of rinse aid dispensed by rotating the dial to a higher number. The dial is located under the dispenser cap. The indicator will be dark when full and will show clear when it is time to refill.

To add liquid rinse aid, turn dispenser cap 1/4 turn counterclockwise and lift out. Pour in rinse aid until liquid touches the indicated fill level. Replace cap.

Do not overfill since this can cause oversudsing. Wipe up any spills with a damp cloth.

The dispenser holds enough for 35 to 140 washes, depending on setting.



Factors Affecting Performance

Water Pressure

The hot water line to dishwasher must provide water pressure between 20 and 120 psi.

Low water pressure may occur when laundry or showers are in operation. Wait until water use is reduced before starting dishwasher.

Water Temperature

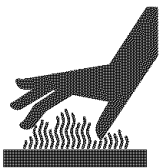
Hot water is needed for best dishwashing and drying results. Water entering dishwasher should be 120°F (49°C) to give satisfactory results.

To check water temperature entering dishwasher:

- Turn on hot water faucet nearest dishwasher for several minutes to clear cool water from pipes.
- Hold a candy or meat thermometer in stream of water to check the temperature.
- If temperature is below 120°F (49°C), have a qualified person raise the hot water heater thermostat setting.

Important: Before starting a cycle, run hot water to clear cool water from pipe.

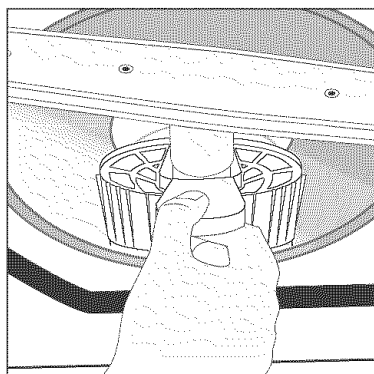
Care and Cleaning

⚠ WARNING	
	Burn Hazard
	Allow heating element to cool before cleaning the interior.
	Failure to do so can result in burns.

Outside—Occasionally wipe with a mild nonabrasive detergent and water. Rinse and dry.

Inside—The inside of the dishwasher is self-cleaning with normal use. If needed, clean around the tub gasket area with a damp cloth.

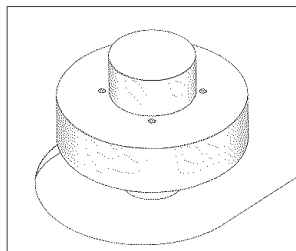
The filter is self-cleaning. A glass trap located in the center of the filter is designed to collect pieces of broken glass, straws, bones and pits. To remove items in glass trap, grasp handle, lift out, empty and replace.



Note: Hard water may cause lime deposit buildup on the interior of the dishwasher. For cleaning instructions see “Removing Spots and Film” section.

Overfill Protector—keeps dishwasher from overfilling and is located in the left front corner of the tub.

- Clean occasionally with household cleaner containing vinegar or bleach to dissolve any buildup.
- Overfill Protector should move up and down freely about one inch. If it does not move, lift and clean underneath.



Care of Drain Air Gap

If a drain air gap was installed for your built-in dishwasher, check to make sure it is clean so the dishwasher will drain properly. A drain air gap is usually mounted on countertop and can be inspected by removing the cover. This is not part of your dishwasher and is not covered by warranty.

⚠ CAUTION	
Property Damage Hazard	
Freezing temperatures may cause water lines to rupture. Be sure all supply lines to and circulating lines within dishwasher are protected.	
Failure to do so could result in property damage.	

Winterizing

A dishwasher left in an unheated place should be protected from freezing. Have a qualified person do the following:

To Disconnect Service:

1. Turn off electrical power to the dishwasher at the supply source by removing fuses or tripping circuit breaker.
2. Shut off water supply.
3. Place a pan under the inlet valve. Disconnect water line from inlet valve and drain into pan.
4. Disconnect drain line from pump and drain water into pan.

Note: See Installation Instructions for more details.

To Restore Service:

1. Reconnect the water, drain and electrical power supply.
2. Turn on water and electrical power supply.
3. Fill both detergent cups and run dishwasher through a NORMAL cycle.
4. Check connections to make sure they do not leak.

Note: See Installation Instructions for more details.

Solutions to Common Dishwashing Problems

Before calling for service, review this list. It may save you both time and expense. This list includes common experiences that are not the result of defective workmanship or material in your dishwasher.

Food Soils Left on Dishes

- Choose another cycle for longer washing time.
- Check rack loading section for proper loading—avoid nesting items.
- Home water pressure may be too low—should be 20 to 120 pounds per square inch (psi).
- Check incoming water temperature. It should be 120°F (49°C). (See Factors Affecting Performance.)
- Check water hardness. For extremely hard water, it may be necessary to install a water softener. (See Detergent Chart.)
- Use fresh detergent.
- Check to make sure funnel in top rack is not blocked.
- Make sure items are not blocking the spray arms, preventing them from rotating.

Dishes not Dry

- Select heat dry option.
- Make sure the rinse aid dispenser is filled.
- Increase the amount of rinse aid. (See Rinse Aid.)
- Check the incoming water temperature. It should be 120°F (49°C).
- Check for proper loading—avoid nesting items.
- Plastic items may need to be towel dried.
- Cups with a concave bottom will collect water.

Glassware/Flatware Spotted or Cloudy

- Check water hardness. For extremely hard water, it may be necessary to install a water softener. (See Dishwasher Dispenser & Detergents.)
- Water temperature may be low. Avoid extremely low or high temperatures. (See Factors Affecting Performance.)
- Avoid overloading and improper loading. (See Preparing and Loading Dishes.)
- Use fresh detergent. Old detergent is ineffective.
- Make sure rinse aid dispenser is filled.
- Check to see that proper amount of detergent is being used for cycle selected. Also, check phosphate level. (See Detergent Usage Guide.)
- Home water pressure may be too low—it should be 20 to 120 pounds per square inch (psi).

Dishware Chipped

- Load with care and do not overload. (See Preparing and Loading Dishes.)
- Place delicate items in top rack.
- Place glasses securely against pins and not over pins.
- Load items so they are secure and don't jar loose when moving racks in and out. Move racks in and out slowly.
- Make sure tall glasses and stemware will clear top of tub when rack is pushed in.
- Fine antique china and crystal should be hand-washed.

Dishware Stained or Discolored

- Tea and coffee can stain cups. Remove the stains by hand washing in a solution of 1/2 cup (120 ml) bleach and one quart (1 L) of warm water. Rinse thoroughly.
- Iron deposits in water can cause a yellow or brown film. A special filter installed in the water supply line will correct this problem. (See Removing Spots and Film.)
- Aluminum utensils can leave gray/black marks when they rub against other items. Load properly.
- Certain high acid foods can cause discoloration of stainless steel and plastics if allowed to sit for a long period. Use the RINSE HOLD cycle or rinse by hand if not operating dishwasher at once.
- Mixing stainless steel and silver utensils in silverware basket can cause pitting of the stainless steel blades. Avoid mixing stainless steel and silver.

Etching

- Using too much detergent in soft or softened water causes this film that cannot be removed.
- Adjust the amount of detergent based on the water hardness. (Check Detergent Usage Guide.)
- Lower the water temperature.
- Use the HEATED DRY OFF option.

Detergent Left in Cups

- Detergent may be old. Discard and use fresh detergent.
- Be sure water action can reach the dispenser.
- Check to see if cycle has been completed.
- Make sure items do not prevent the detergent dispenser from opening.

Solutions to Common Dishwashing Problems (continued)

Dishwasher Leaks

- Use only fresh detergent designed for automatic dishwashers. Measure detergent carefully. Try a different brand.
- Spilled rinse aid can cause foam and lead to overflowing. Wipe up any spills with a damp cloth.
- Check to see that dishwasher is level.
(See Installation Instructions.)

Normal Sounds You Will Hear

- Normal sounds include water fill, water circulation and motor sounds.
- There is a noticeable change in sound when the wash action switches between the lower and middle spray arm. This is normal since each spray arm has its own sound.
- It is normal for dishwasher to pause (no sound) when the wash action is switching between the lower and middle spray arms.

Water in Bottom of Tub

- Water left in bottom of tub after cycle is complete is not normal. If water remains in the bottom of the tub, dishwasher may not be draining properly. (See Dishwasher Does Not Drain Properly.)

Vapor at Vent

- Water vapor escapes from the vent during the drying part of cycle. This is normal.

Dishwasher Won't Run

- Check to see if circuit breaker is tripped or if a fuse is blown.
- Make sure water supply is turned on.
- Check to see if cycle is set correctly.
(See Operating Instructions.)
- Is dishwasher set for delay start option?
- Make sure door is closed and latched.

Dishwasher Does Not Drain Properly

- If unit is hooked up to a food waste disposer, make sure the disposer is empty.
- Check to see if the knockout plug has been removed from inside the food waste disposer inlet.
- Check to see if drain hose is kinked.
- Make sure cycle is complete, not in a pause.

Cycle Takes a Long Time

- Is cycle in a water heating delay?
- Has the delay start option been selected?

Dishwasher Won't Fill

- Is water supply turned on?
- Does overflow protector move up and down freely?
(See Overflow Protector section.)

Dishwasher Has an Odor

- Soiled dishes left in dishwasher too long can create an odor. Use the RINSE HOLD cycle.
- There will be a "new" smell when first installed. This is normal.
- Check to see if unit is draining properly. (See Dishwasher Does Not Drain Properly.)

Stains on Tub Interior

- Washing large amounts of dishware with tomato based soil can cause a pink/orange appearance. This will not affect performance and will gradually fade over time. Pre-rinsing or using the RINSE HOLD cycle will reduce the chance of staining. Using the HEATED DRY OFF option will lessen staining.

Solutions to Common Dishwashing Problems (continued)

Removing Spots and Film

Hard water can cause lime deposit buildup on the interior of the dishwasher. Dishes and glasses may also get spots and film for a number of reasons. (See Glassware/Flatware Spotted or Cloudy section.) To remove buildup, spots and film, clean using the following instructions:

1. Load clean dishes and glasses in normal manner. Do not load any metal utensils or silverware.
2. Do not add detergent.
3. Select the POTS PANS cycle. Close and latch door.
4. Allow dishwasher to run for 20 minutes to reach the main wash portion of cycle.
5. Unlatch and open door and pour 2 cups of white vinegar into the bottom of dishwasher.
6. Close and latch door and allow cycle to finish.

Note: If these conditions persist, a home water softener should be considered.

To customize your dishwasher to match your cabinets:

- You will need a trim kit.
- See Step 10 of Installation Instructions that came with your dishwasher for more information.

Tabla de Materias

Contratos de Protección

Garantía	20
Instrucciones de Seguridad	21
Antes de Usar su Lavavajillas	22
Características del lavavajillas	23
Sistema de Lavado	24
Instrucciones de Funcionamiento	25-26
Preparación y Carga de la Vajilla	27-29
Distribuidor y Detergentes del Lavavajillas	30-31
Factores que Afectan el Rendimiento	31
Cuidado y Limpieza	32
Soluciones a Problemas Comunes del Lavado de Vajillas	33-35
Servicio	Portada trasera

Lo felicitamos por haber hecho una compra inteligente. Su nuevo aparato doméstico Kenmore® se ha diseñado y fabricado para que proporcione años de operación confiable. Pero como todos los productos, puede requerir mantenimiento preventivo o reparaciones de vez en cuando. Es entonces que un Contrato de Protección puede ahorrarle dinero y problemas.

Compre un Contrato de Protección ahora y protéjase de problemas y gastos inesperados.

El Contrato de Protección también ayuda a extender la vida de su nuevo aparato doméstico. Esto es lo que se incluye en el Contrato:

- Servicio experto** realizado por nuestros 12,000 especialistas en reparación profesionales
- Servicio ilimitado y sin cargo alguno** por piezas y mano de obra en todas las reparaciones cubiertas
- Garantía de que no obtendrá un “limón”** – reemplazo de su producto cubierto si ocurren más de tres fallas en el producto en un plazo de doce meses
- Reemplazo del producto** si su producto cubierto no puede repararse
- Mantenimiento preventivo anual** cuando usted lo solicite – sin cargo adicional
- Ayuda rápida por teléfono** – ayuda e instrucciones no técnicas para los productos reparados en el hogar, más un conveniente programa de reparaciones
- Protección contra sobrevoltaje** por daños eléctricos que ocurran debido a fluctuaciones en la corriente eléctrica
- Reembolso de alquiler** si la reparación de su producto cubierto tarda más tiempo del prometido

Una vez que compre el Contrato, una sencilla llamada telefónica es todo lo que necesita hacer para programar una visita de servicio. Puede llamar en cualquier momento, de día o de noche, o programar una cita de servicio en línea.

Sears tiene más de 12,000 especialistas en reparación profesionales, que tienen acceso a más de 4.5 millones de piezas y accesorios de calidad. Ese es el tipo de profesionalismo con el que usted puede contar para ayudarle a prolongar la vida de su nueva compra por muchos años futuros. ¡Compre su Contrato de Protección hoy mismo!

Algunas limitaciones y exclusiones aplican. Para obtener precios e información adicional, llame al 1-800-827-6655.

Servicio de Instalación de Sears

Para solicitar una instalación profesional y garantizada de Sears en aparatos domésticos y artículos tales como abridores de puertas de garajes y calentadores de agua, en los EE.UU., llame al 1-800-4-MY-HOME®.

ESPAÑOL

Garantía

GARANTÍA COMPLETA DE UN AÑO EN LAVAVAJILLAS KENMORE

Por un año desde la fecha de compra, cuando este lavavajillas se instale y se opere de acuerdo con las instrucciones que se proveen en las Instrucciones de Instalación y la Guía de Uso y Cuidado, Sears reparará este lavavajillas sin cargo alguno, si tiene algún defecto del material o la manufactura.

GARANTÍA COMPLETA DE DIEZ AÑOS CONTRA FUGAS EN LA TINA Y EL PANEL INTERIOR DE LA PUERTA

Durante diez años desde la fecha de compra, si ocurre una fuga como resultado de una falla en la tina o el panel interior de la puerta de polipropileno debido a grietas, descascarado y pelado, Sears reemplazará sin cargo alguno la tina o el panel interior de la puerta.

RESTRICCIÓN DE LA GARANTÍA

Si el lavavajillas está sujeto a otro uso que no sea el uso privado de la familia, la cobertura de la garantía mencionada anteriormente estará en vigor sólo por 90 días.

SERVICIO BAJO GARANTÍA

EL SERVICIO BAJO GARANTÍA EN LOS EE.UU. ESTÁ DISPONIBLE LLAMANDO A SEARS AL **1-800-4-MY-HOME®**. Esta garantía sólo aplica mientras el producto esté en uso en los Estados Unidos. Esta garantía le da derechos legales específicos y usted podría tener otros derechos que varían de un estado a otro.

Para obtener información sobre la Garantía de Sears en los Estados Unidos, utilice como referencia los números de servicio que se indican en la última página de este manual.

**Sears, Roebuck and Co.,
Dept. 817WA, Hoffman Estates, IL 60179**

En el espacio a continuación, anote su número de modelo completo, el número de serie y la fecha de compra. Esta información puede encontrarse en la etiqueta del número de modelo y serie que se encuentra en el lugar que se muestra en la sección de Características del Lavavajillas de este libro. Tenga esta información a mano para que le ayude a obtener ayuda y servicio rápidamente cuando llame a Sears con respecto a su aparato doméstico.

Número de Modelo: 587. _____

Número de Serie: _____

Fecha de Compra: _____

Guarde estas instrucciones y su recibo de compra para referencia futura.

ESPAÑOL

Seguridad del Lavavajillas

Su seguridad y la seguridad de otros son muy importantes.

Hemos incluido muchos mensajes de seguridad importantes en el manual y en su aparato doméstico. Siempre lea y obedezca todos los mensajes de seguridad.



Este es el símbolo de alerta de seguridad. Este símbolo le avisa de posibles peligros que pueden causar la muerte o lesionarlo a usted y a otros.

Todos los mensajes de seguridad seguirán al símbolo de alerta de seguridad con la palabra "PELIGRO" o "ADVERTENCIA". Estas palabras significan:

ADVERTENCIA

Usted puede morir o ser lesionado gravemente si no sigue las instrucciones de inmediato.

PRECAUCIÓN

Usted puede morir o ser lesionado gravemente si no sigue las instrucciones.

Todos los mensajes de seguridad le dirán cuál es el posible peligro, cómo reducir la posibilidad de ser lesionado y lo que puede suceder si no se siguen las instrucciones.

INSTRUCCIONES DE SEGURIDAD IMPORTANTES

ADVERTENCIA: Al usar su lavavajillas, siga las precauciones básicas de seguridad, incluyendo:

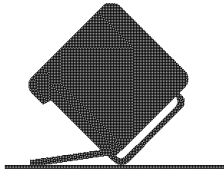
- ☞ Lea todas las instrucciones antes de usar el lavavajillas.
- ☞ Use su lavavajillas sólo como se indica en esta Guía de Uso y Cuidado.
- ☞ Sólo use los detergentes y agentes de enjuague que se recomiendan para usarse en un lavavajillas, y manténgalos fuera del alcance de los niños.
- ☞ Al colocar los artículos para lavarlos:
 - Coloque los cuchillos y los artículos afilados de manera que no dañen el sello de la puerta o la tina.
 - Coloque los cuchillos y los artículos afilados con los mangos hacia arriba para evitar cortaduras.
- ☞ No lave ningún artículo de plástico, a menos que tenga una marca que indique que es "seguro para lavarse en lavavajillas" o algo similar. Si no tiene dicha marca, verifique las recomendaciones con el fabricante. Los artículos que no son seguros para lavarse en el lavavajillas pueden derretirse y crear un posible peligro de incendio.
- ☞ No toque el elemento calefactor durante ni inmediatamente después del uso.
- ☞ No opere su lavavajillas a menos que todos los paneles estén instalados debidamente en su lugar.
- ☞ Si el lavavajillas drena en un triturador de desperdicios de comida, asegúrese de que el triturador esté completamente vacío antes de operar el lavavajillas.
- ☞ Desconecte la corriente eléctrica al lavavajillas antes de darle servicio.
- ☞ No manipule los controles.
- ☞ No permita que los niños abusen, se sienten, se paren o jueguen en la puerta o los estantes del lavavajillas.
- ☞ Mantenga a los niños pequeños y a los bebés lejos del lavavajillas cuando esté funcionando.
- ☞ En ciertas condiciones, se puede producir gas de hidrógeno en un sistema de agua caliente que ha estado sin usarse durante dos o más semanas. **EL GAS DE HIDRÓGENO ES EXPLOSIVO.** Si el sistema de agua caliente no se ha usado durante tal período, antes de usar el lavavajillas, abra todos los grifos de agua caliente y permita que el agua fluya por varios minutos de cada uno de ellos. Esto liberará cualquier gas de hidrógeno que se haya acumulado. Debido a que el gas es inflamable, no fume ni use una llama abierta durante este tiempo.
- ☞ Para evitar que alguien quede atrapado dentro y/o se asfixie, quite la puerta o el mecanismo de cierre de la puerta de cualquier lavavajillas que se deseche o que no esté en uso.

GUARDE ESTAS INSTRUCCIONES

ESPAÑOL

Antes de Usar su Lavavajillas

ADVERTENCIA



Peligro de que se vuelque

No use el lavavajillas hasta que esté completamente instalado.

No presione la puerta abierta hacia abajo.

Esto puede resultar en lesiones o cortaduras graves.

ADVERTENCIA



Peligro de choque eléctrico

Conecte a tierra el lavavajillas.

Conecte un alambre de tierra a la tuerca redonda verde de la caja de terminales.

No use un cable de extensión.

No seguir estas instrucciones puede dar causar la muerte, un incendio o un choque eléctrico.

INSTRUCCIONES PARA CONEXIÓN A TIERRA

¶ Para un lavavajillas conectado con cable y conectado a tierra:

El lavavajillas debe estar conectado a tierra. En caso de mal funcionamiento o avería, la conexión a tierra reducirá el riesgo de un choque eléctrico al proporcionar un paso de menor resistencia a la corriente eléctrica. El lavavajillas está equipado con un cable que tiene un conductor de conexión a tierra del equipo y un enchufe de conexión a tierra. El enchufe debe conectarse en un tomacorriente apropiado que esté instalado y conectado a tierra de acuerdo con todos los códigos y ordenanzas locales.

ADVERTENCIA: Una conexión incorrecta del conductor de conexión a tierra del equipo puede resultar en un riesgo de choque eléctrico. Verifique con un electricista o representante de servicio calificado si tiene duda de que el lavavajillas esté debidamente conectado a tierra. No modifique el enchufe que viene con el lavavajillas. Si no entra en el tomacorriente, haga que un electricista calificado instale un tomacorriente adecuado.

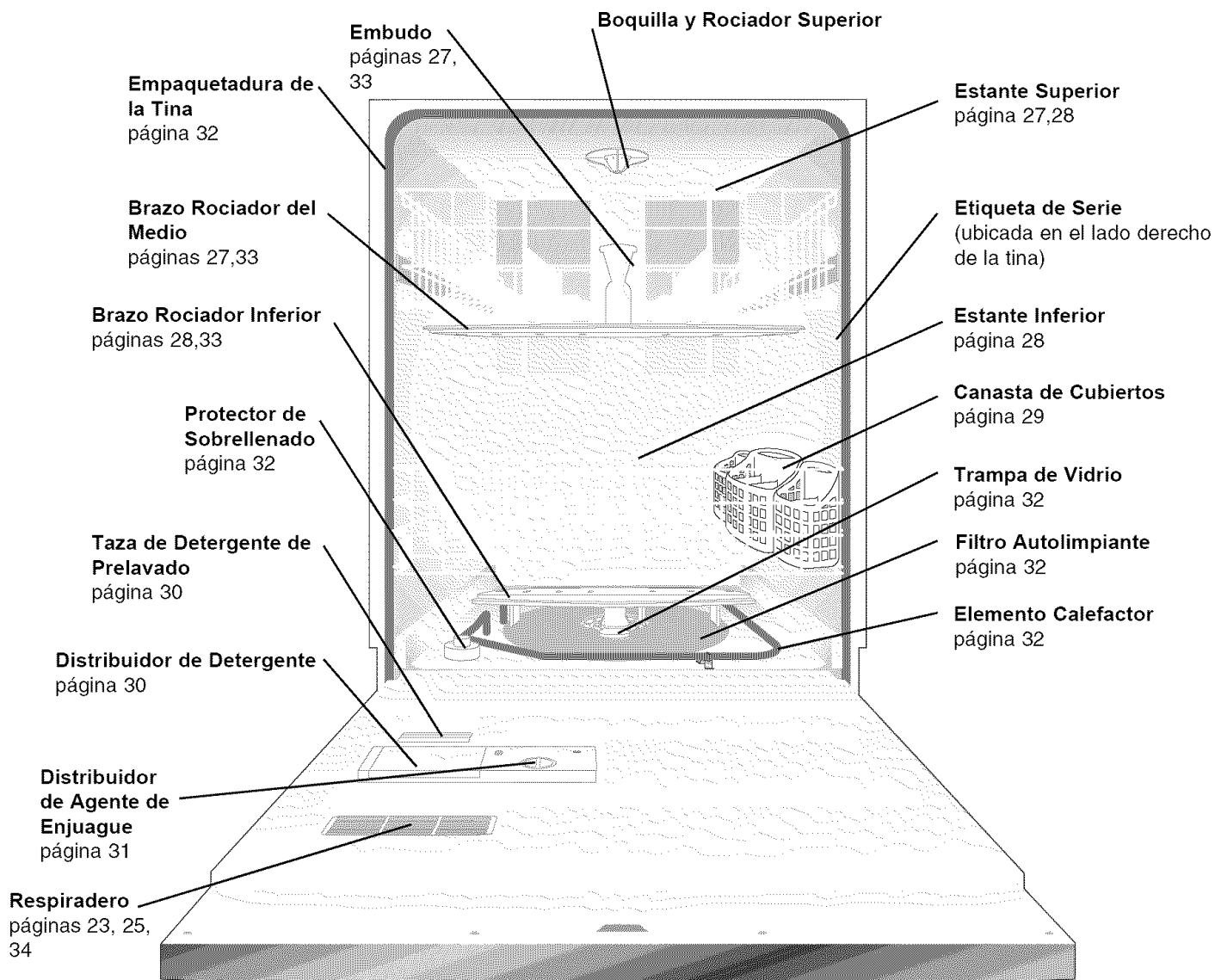
¶ Para un lavavajillas conectado permanentemente:

El lavavajillas debe ser conectado a un sistema de cableado permanente, de metal y conectado a tierra, o un conductor de conexión a tierra del equipo debe tenderse junto con los conductores del circuito y conectarse al terminal o alambre de conexión a tierra del equipo en el lavavajillas.

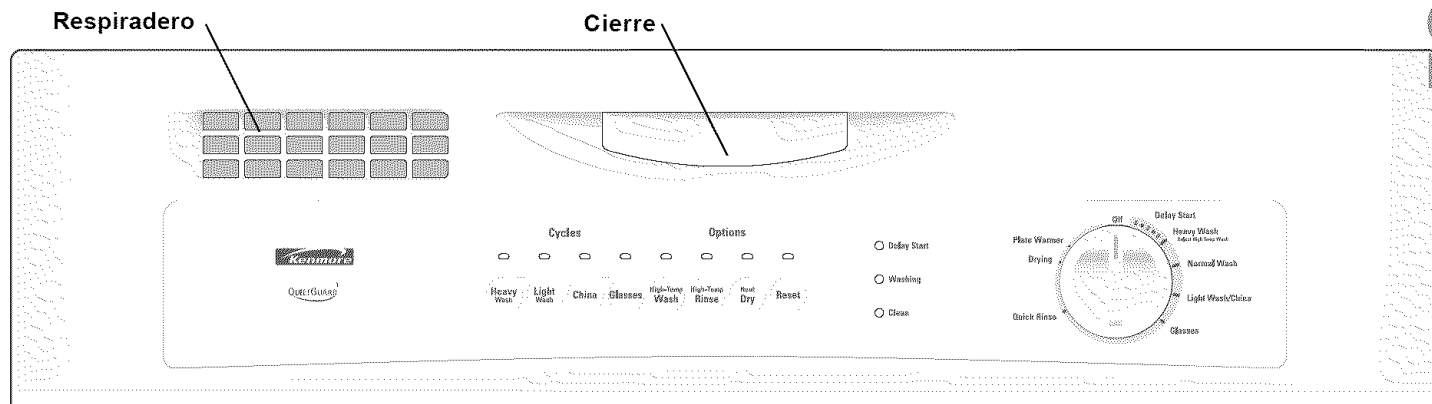
GUARDE ESTAS INSTRUCCIONES

ESPAÑOL

Características del Lavavajillas



Panel de Control



La apariencia del aparato puede variar del modelo que usted tiene.

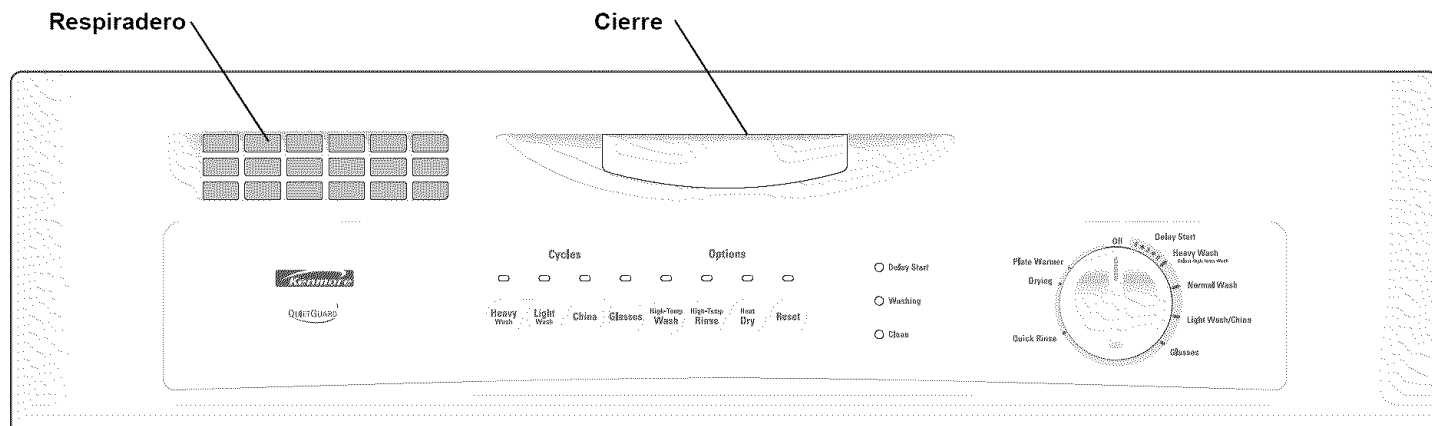
Sistema de Lavado

Su lavavajillas Kenmore filtra el 100% del agua para una limpieza óptima. El sistema de lavado utiliza brazos alternos para ahorrar agua y energía, e incluye un triturador de desperdicios de acero inoxidable y de uso pesado que tritura las partículas grandes de alimentos.

Cómo funciona el sistema

1. Cargue el lavavajillas (Véase Preparación y Carga de la Vajilla).
2. El agua caliente entra al lavavajillas y cubre el filtro.
3. El detergente es distribuido en el momento apropiado y se mezcla con el agua caliente. Esta mezcla es bombeada a través del brazo rociador inferior y rociada contra las superficies sucias de la vajilla para remover las partículas de alimentos.
4. El agua pasa a través del filtro primario de malla fina donde los desperdicios de comida son eliminados y el agua limpia vuelve a circular de nuevo.
5. Las salidas bajo el brazo rociador inferior dirigen los desperdicios de comida, a través de un filtro secundario, a una cámara de recogido.
6. Los desperdicios permanecen en la cámara de recogido hasta que son lavados fuera durante el ciclo de drenado.
7. Agua limpia y caliente entra al lavavajillas y la secuencia se repite.
8. Comenzando con el tercer llenado de agua, la acción de lavado cambia entre el brazo rociador inferior y el brazo rociador del medio a intervalos de 90 segundos. Es posible que note un cambio en el sonido a medida que la acción de lavado pausa y cambia al otro brazo.
9. El lavavajillas puede pausar durante el ciclo mientras el agua es calentada. La acción de lavado continuará durante este tiempo.
10. El agente de enjuague es distribuido automáticamente para el agua de enjuague para ayudar con el secado.

Instrucciones de Funcionamiento



La apariencia del aparato puede variar del modelo que usted tiene.

Cómo comenzar

1. Cargue el lavavajillas (véase Preparación y Carga de la Vajilla).
2. Agregue detergente (véase Distribuidor y Detergentes del Lavavajillas).
3. Agregue agente de enjuague, si se necesita (véase Agente de Enjuague).
4. Gire la perilla hacia la derecha para seleccionar el ciclo (Ver la Tabla de Ciclos) o hacia el número de horas para la opción lavado diferido.
5. Seleccione las OPCIONES deseadas (véase Selección de Opciones). El indicador se pondrá en rojo una vez hecha la selección.
6. Si se usa WASH DELAY, pase al número 8.
7. Haga correr el agua caliente del grifo más cercano al lavavajillas hasta que salga caliente. Cierre el agua.
8. Cierre la puerta para trancarla.

Lavado Diferido

Esto le permite posponer el arranque del ciclo de HEAVY WASH (Lavado pesado).

- Gire la perilla para seleccionar el número de horas.
- Seleccione la opción HIGH TEMP WASH y otras OPTIONS deseadas.
- Cierre la puerta.

Lavado Diferido

Esto le permite posponer el arranque del ciclo de HEAVY WASH (Lavado pesado).

- Gire la perilla para seleccionar el número de horas.
- Seleccione la opción HIGH TEMP WASH y otras OPTIONS deseadas.
- Cierre la puerta.

Calentador de platos

Para calentar los platos antes de servir la comida caliente.

- Meta la vajilla y los platos limpios que se van a calentar.
- Gire la perilla a PLATE WARMER.
- Seleccione la opción HEAT DRY.

Luces indicadoras

Cuando se selecciona la opción DELAY START, la luz en DELAY START brillará mientras que el cronómetro va en disminución para empezar el ciclo.

La luz 'WASHING' (lavado) se enciende al principio del ciclo y permanece encendida hasta el final del ciclo principal.

La luz de CLEAN se enciende cuando se completa un ciclo. Para apagarla, gire un poco la perilla hasta que la luz se apague.

Instrucciones de Funcionamiento (continuación)

Selecciones de ciclo de lavado

Nota: La duración de los ciclos es aproximada y variará de acuerdo con el modelo. No todos los ciclos están disponibles en todos los modelos.

Tabla de Ciclos					
Ciclos	Descripción	Para Seleccionar el Ciclo	Agua (aprox.)	Tiempo* (aprox.)	Lavados/ Enjuagues
Lavado pesado (Heavy Wash)	Para platos y cubiertos muy sucios.	<ul style="list-style-type: none"> Gire la perilla hasta la posición de HEAVY WASH. Seleccione las opciones (OPTIONS) deseadas. 	7,2 gal. 27,3 litros	1 1/2 hrs.	2 lavados 4 enjuagues
Lavado normal (Normal Wash)	Para platos y cubiertos con suciedad normal.	<ul style="list-style-type: none"> Seleccione las opciones (OPTIONS) deseadas. Gire la perilla hasta la posición de NORMAL WASH. 	6,0 gal. 22,7 litros	1 1/4 hrs.	2 lavados 3 enjuagues
Lavado liviano (Light Wash)	Para platos y cubiertos no muy sucios o ya preenjuagados.	<ul style="list-style-type: none"> Presione la tecla de LIGHT WASH. Seleccione las opciones (OPTIONS) deseadas. Gire la perilla hasta la posición de LIGHT/ CHINA. 	4,8 gal. 18,2 litros	1 1/4 hrs.	1 lavado 3 enjuagues
China (China)	Para platos y cubiertos poco sucios o ya enjuagados.	<ul style="list-style-type: none"> Presione la tecla de CHINA. Seleccione la opción de secar. Gire la perilla hasta la posición de LIGHT/ CHINA. <p>Nota: No se recomienda usar la opción HIGH TEMP WASH con este ciclo.</p>	4,8 gal. 18,2 litros	1 1/4 hrs.	1 lavado 3 enjuagues
Vasos (Glasses)	Para vasos o artículos que no están muy ensuciados.	<ul style="list-style-type: none"> Presione la tecla de GLASSES. Seleccione las opciones (OPTIONS) deseadas. Gire la perilla hasta la posición de GLASSES. 	3,6 gal. 13,6 litros	1 hrs.	1 lavado 2 enjuagues
Enjuague espera (Rinse Hold)	Para el enjuague de platos que serán lavados después.	<ul style="list-style-type: none"> NO USE detergente. Gire la perilla hasta la posición de QUICK RINSE (enjuague espera). Seleccione la opción de HEAT DRY OFF. 	1,2 gal. 4,5 litros	1/4 hrs.	1 enjuague

* Incluye tiempo de secado.

Opciones de energía

Opción High Temp Wash

Cuando se selecciona la opción HIGH TEMP WASH, el lavavajillas calienta el agua en el ciclo principal hasta aproximadamente 140°F (60°C). La acción de lavado continuará pero el cronómetro no avanzará hasta que se alcance la temperatura apropiada. El agua más caliente proporcionada por esta opción ayuda a activar el detergente del lavavajillas para limpiar la grasa y la suciedad de los platos. La opción HIGH TEMP WASH puede ser usada durante cualquier ciclo menos QUICK RINSE.

Para apagar la opción, presione la tecla de RESET.

Opción High Temp Rinse

Cuando se selecciona la opción HIGH TEMP RINSE, el lavavajillas calienta el agua en el enjuague final hasta aproximadamente 140°F (60°C). Esto acelera el secado y reduce las manchas. La opción HIGH TEMP RINSE puede ser usada con cualquier ciclo menos QUICK RINSE.

Para apagar la opción, presione la tecla de RESET.

Opción de secado por calor

La opción de Secado con Calor, en combinación con el ayudante de enjuague, le proporciona excelentes resultados de secado. La energía que esta función consume le cuesta pocos centavos por cada ciclo. Usted puede desactivar la opción de Secado con Calor. Sin embargo, algunos artículos de la carga del lavavajillas no quedarán secos al final del ciclo.

Con cualquiera de las opciones, puede ser que usted vea vapor de agua saliendo del respiradero durante la etapa de secado del ciclo. Este ventilador está cerrado durante el lavado para mantener encerrados la humedad y el ruido.

La opción de secado puede ser cambiada en cualquier momento durante el ciclo y sólo afecta el período de secado.

Para apagar la opción, presione la tecla de RESET..

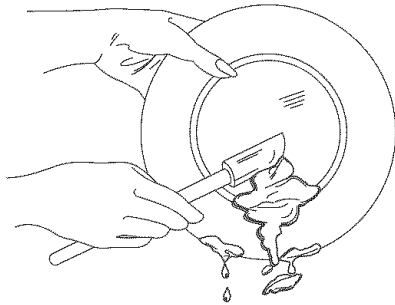
Preparación y Carga de la Vajilla

Preparación de la Vajilla

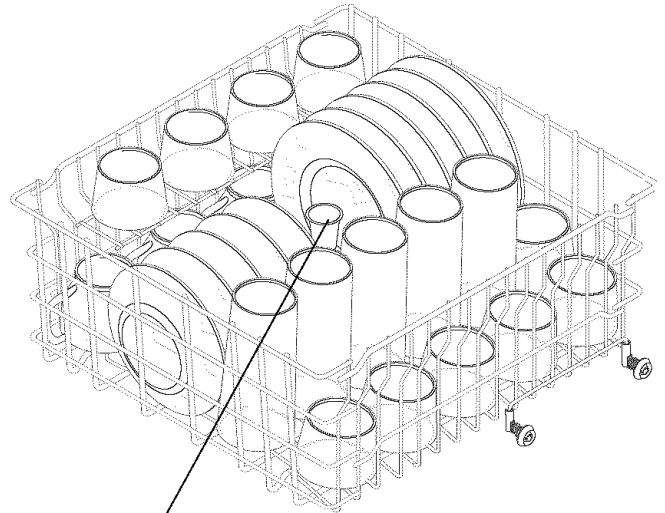
Quite los pedazos grandes de comida, huesos, pepitas de frutas, palillos de dientes, etc. El sistema de lavado continuamente filtrado removerá las partículas de comida restantes. La comida pegada debe removerse de la vajilla antes de colocarse en el lavavajillas. Vacíe los líquidos de los vasos y las tazas.

Los alimentos tales como mostaza, mayonesa, vinagre, jugo de limón y productos que contienen tomate pueden causar el descoloramiento de los artículos de acero inoxidable y de plástico si se permite que permanezcan en contacto por mucho tiempo. A menos que el lavavajillas se opere en seguida, es mejor enjuagar estos alimentos de la vajilla.

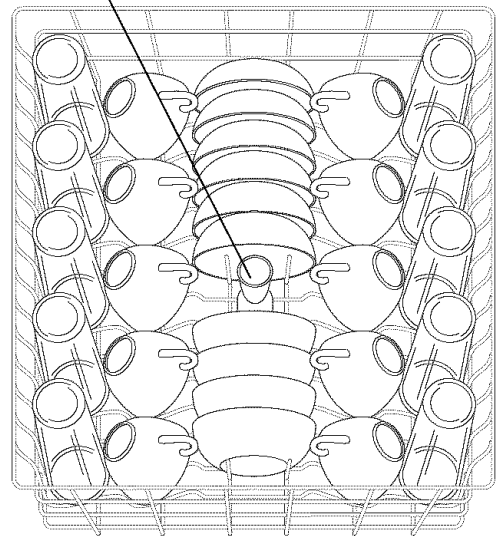
- Cargue los estantes de manera que los artículos grandes no impidan que el distribuidor de detergente se abra.
- Consulte las recomendaciones del fabricante antes de lavar cualquier artículo del que se tenga duda.
- Si el lavavajillas desagua en un triturador de desperdicios de comida, **asegúrese de que el triturador esté completamente vacío antes de comenzar el lavavajillas.**



Asegúrese de que nada sobresalga a través del fondo del estante que pueda obstruir la rotación del brazo rociador del medio.



No cubra el embudo



10 puestos

Para cargar el Estante Superior

Las características y el aspecto de los estantes y la canasta de cubiertos pueden ser distintos a los de su modelo.

Importante: No cubra el embudo cuando cargue el lavavajillas.

El estante superior se ha diseñado para flexibilidad en la carga de varios artículos, incluyendo tazas, vasos, copas, platos pequeños, tazones, etc.

Coloque los vasos en el estante superior, ya que pueden dañarse si se colocan en el estante inferior.

Coloque los artículos de plástico sólo en el estante superior, ya que pueden derretirse si se colocan en el estante inferior.

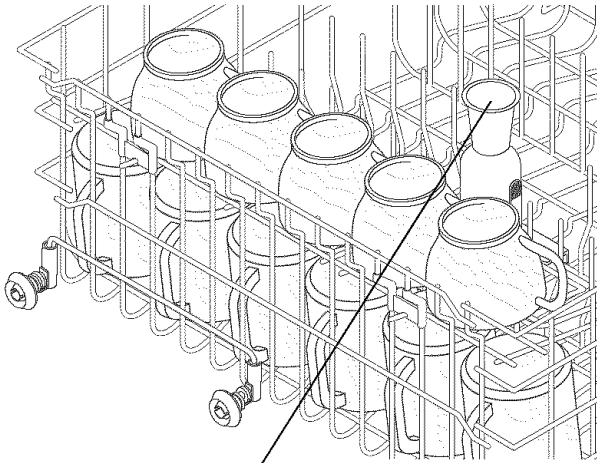
Coloque los artículos con los extremos abiertos hacia abajo para una mejor limpieza y drenaje.

Los artículos delicados pueden dañarse si están tocándose unos con otros durante el funcionamiento del lavavajillas.

Los utensilios y los cuchillos con mangos largos pueden colocarse en el estante superior.

Preparación y Carga de la Vajilla (continuación)

Algunos modelos tienen rejillas para tazas que se pueden doblar o bien tienen un soporte para tazas/ utensilios para cocer al vapor. Estas rejillas pueden usarse para colocar en dos niveles tazas, vasos para jugo y otros utensilios cortos. Coloque los artículos en el nivel superior de una forma escalonada, para que el agua llegue a todas las superficies interiores. Levante las rejillas para colocar vasos altos.



No cubra el embudo

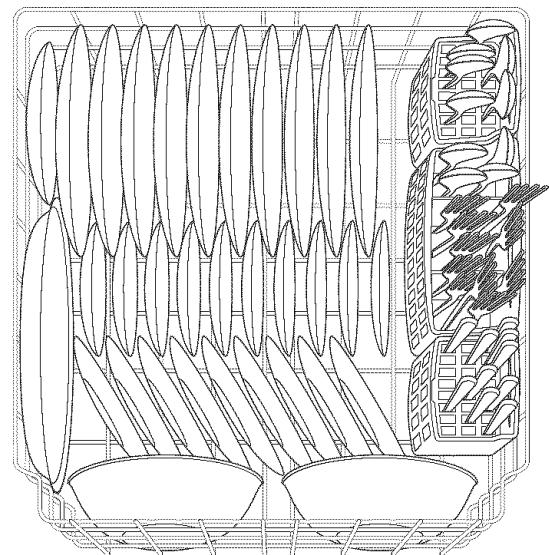
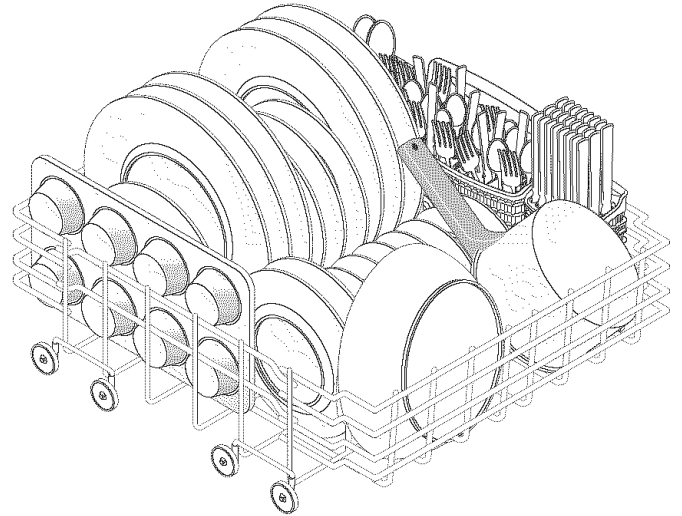
Cómo Cargar el Estante Inferior

Las características y el aspecto de los estantes y la canasta de cubiertos pueden ser distintos a los de su modelo.

El estante inferior es mejor para platos, platillos, tazones y ollas. Los artículos grandes deben colocarse a lo largo del borde, de manera que no obstruyan la rotación del brazo rociador. Para mejores resultados, coloque los tazones, cacerolas y ollas con la superficie sucia hacia abajo o hacia el centro. Inclínelos ligeramente para un mejor drenaje.

Asegúrese de que los artículos grandes no obstruyan la rotación del brazo rociador.

Asegúrese de que los mangos de las ollas no sobresalgan por el fondo del estante y obstruyan la rotación del brazo rociador.



10 puestos

ESPAÑOL

Preparación y Carga de la Vajilla (continuación)

Cómo Cargar la Canasta de Cubiertos

PRECAUCIÓN

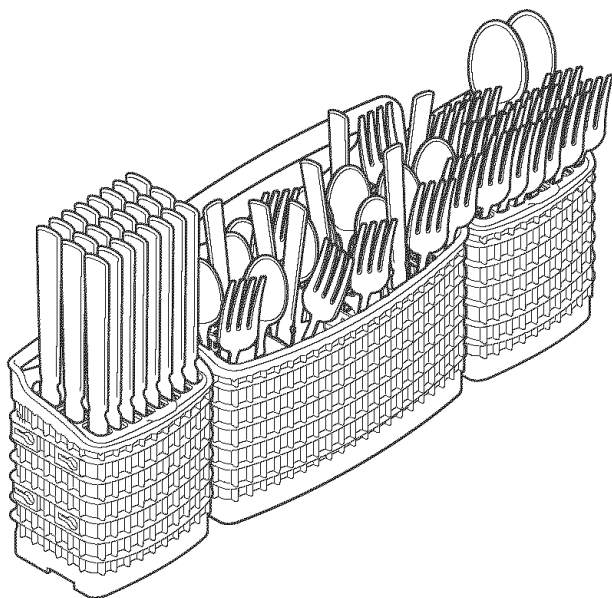
Cortaduras

Coloque los artículos afilados (cuchillos, pinchos de brocheta, etc.) con las puntas hacia abajo.

No hacerlo puede causar lesiones.

Cargue la canasta de cubiertos mientras está en el estante inferior, o saque la canasta para cargarla sobre el gabinete o la mesa.

Coloque los artículos pequeños como tapas de biberones, tapas de jarros, sostenedores de mazorcas de maíz, etc. en una sección cubierta. Cierre la cubierta para mantener los artículos pequeños en su lugar.



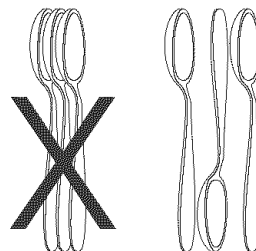
Asegúrese de que nada sobresalga por el fondo de la canasta o del estante que pueda obstruir el brazo rociador.

No mezcle los cubiertos de plata con los de acero inoxidable para evitar dañar el acabado de plata.

La canasta de cubiertos puede sacarse y colocarse en varios lugares del estante inferior.

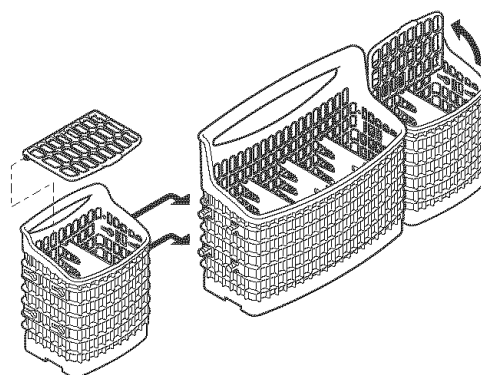
Coloque los cubiertos en todas las secciones o sólo en una, dependiendo de su carga.

Cuando las cubiertas están hacia arriba, mezcle los artículos de cada sección de la canasta, con unos apuntando hacia arriba y otros hacia abajo, para que no se peguen unos con otros. El rocío de agua no puede llegar a los artículos que están pegados unos con otros.



Para sacar la canasta pequeña:

1. Sostenga la canasta del centro y una de las canastas pequeñas. Deslice la otra canasta pequeña hacia atrás para soltar las lengüetas de las ranuras correspondientes.
2. Tire de las canastas para separarlas.



Para agregar un artículo

Para agregar o sacar artículos después de que haya comenzado el ciclo de lavado:

- Destrahe el cierre de la puerta y espere unos segundos en lo que la acción de lavado se detiene antes de abrir la puerta.
- Coloque el artículo y espere unos segundos para permitir que el aire frío se expanda lentamente dentro del lavavajillas.
- Cierre la puerta firmemente para trazarla y reanudar el ciclo.

Distribuidor y Detergentes del Lavavajillas

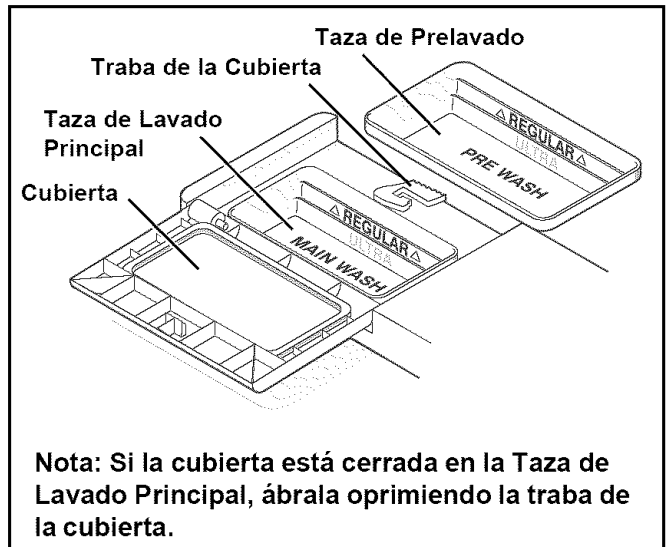
Cómo Llenar el Distribuidor de Detergente

El distribuidor de detergente tiene una taza cubierta y una descubierta. El detergente en la taza descubierta cae dentro del lavavajillas cuando la puerta se cierra. La taza cubierta se abre automáticamente para soltar el detergente.

- Sólo use detergente para lavavajillas automáticos fresco. Otros detergentes producirán demasiada espuma.
- Cuando use tabletas de detergente para lavavajillas, coloque una tableta en el distribuidor principal y cierre la tapa.
- Agregue el detergente justo antes de comenzar el ciclo.
- Guarde el detergente en un lugar fresco y seco. El detergente húmedo o aterronado no se disolverá debidamente.

Cuánto Detergente Usar

La cantidad de detergente que debe usar depende de la dureza del agua. La dureza del agua se mide en granos por galón. Usar muy poco detergente puede resultar en una limpieza deficiente y en que el agua dura produzca una película o manchas en la vajilla. Usar demasiado detergente en agua blanda puede causar una película permanente llamada aguafuerte. Su empresa de agua local, compañía de ablandador de agua o agente de extensión del condado puede decirle cuál es la dureza del agua en su área.



Guía de Uso del Detergente				
Ciclo	Agua blanda (0-3 granos)	Agua medianamente dura (4-8 granos)	Agua dura (9-12 granos)	Agua muy dura* (más de 12 granos)
Heavy Wash (lavado pesado) o Normal Wash (lavado normal)	2 cucharillas (cada taza - 1/4 llena)	5 cucharillas (cada taza - llena hasta la línea "Regular")	8 cucharillas (cada taza completamente llena)	Cada taza - completamente llena (se recomienda usar ablandador de agua)
Light Wash (lavado ligero) o China (China)	2 cucharillas (Taza de lavado principal-1/4 llena)	5 cucharillas (Taza de lavado principal - llena hasta la línea "Regular")	8 cucharillas (Taza de lavado principal - completamente llena)	Taza de lavado principal - completamente llena (se recomienda usar ablandador de agua)
Quick Rinse (enjuague espera)	Sin detergente	Sin detergente	Sin detergente	Sin detergente (se recomienda usar ablandador de agua)

***Nota:** Para agua muy dura, es posible que el detergente solo no sea suficiente. Se recomienda usar un ablandador de agua para mejorar la calidad del agua y el lavado de la vajilla. Pruebe agregando más detergente al comienzo de la parte del lavado principal del ciclo. Por lo general, use 1 cucharilla por cada grano por encima de 12. Destrabe la puerta, ábrala lentamente y agregue detergente en el fondo de la tina. Cierre la puerta para que trabee y el lavavajillas continuará el ciclo.

ESPAÑOL

Distribuidor y Detergentes del Lavavajillas (continuación)

Agente de Enjuague

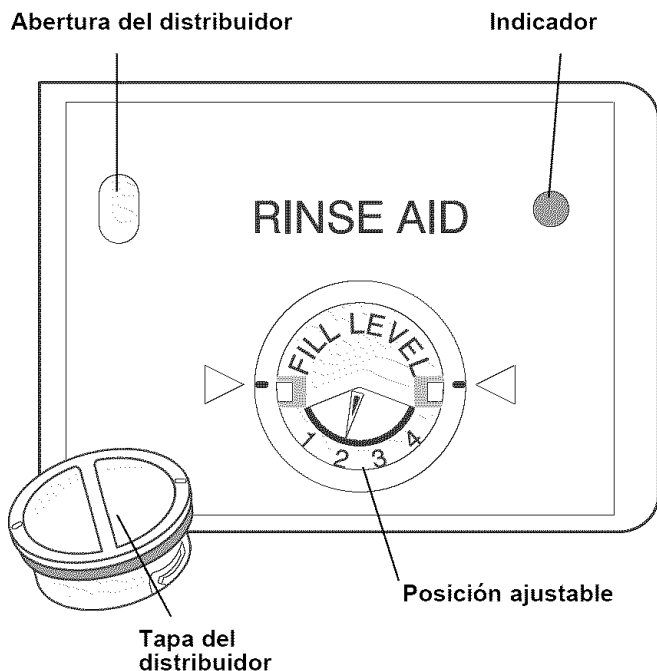
El agente de enjuague mejora grandemente el secado y reduce la película y las manchas de agua en la vajilla. El agua se desliza de la vajilla, en lugar de formar gotas de agua que se adhieren y dejan manchas.

Un distribuidor, ubicado junto a la taza de detergente, suelta automáticamente una cantidad medida del agente de enjuague durante el último enjuague. Si las manchas y un secado deficiente son problemas, aumente la cantidad de agente de enjuague girando la esfera a un número más alto. La esfera está ubicada debajo de la tapa del distribuidor. El indicador estará oscuro cuando esté lleno y se verá claro cuando sea tiempo de volver a llenarlo.

Para agregar agente de enjuague líquido, gire la tapa del distribuidor 1/4 de vuelta hacia la izquierda y sáquela. Vierta el agente de enjuague hasta que el líquido llegue al nivel de llenado indicado. Vuelva a taparlo.

No lo llene demasiado, ya que esto puede causar que se forme demasiada espuma. Limpie cualquier derrame con un paño húmedo.

El distribuidor tiene cabida para 35 a 140 lavadas, dependiendo de la posición en que se ajuste.



Factores que Afectan el Rendimiento

Presión de Agua

La línea de agua caliente al lavavajillas debe suministrar una presión de agua de entre 20 y 120 psi.

La baja presión de agua puede ocurrir cuando se está lavando ropa o tomando duchas a la misma vez. Espere hasta que se reduzca el uso del agua para comenzar el lavavajillas.

Temperatura del Agua

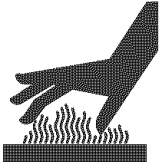
Se necesita agua caliente para obtener los mejores resultados de lavado y secado. El agua que entra al lavavajillas debe ser de 120°F (49°C) para lograr los mejores resultados.

Para comprobar la temperatura de agua que entra al lavavajillas:

- Abra el grifo de agua caliente que esté más cerca del lavavajillas por varios minutos para despejar el agua fría de la tubería.
- Ponga un termómetro de dulce o de carne bajo el chorro de agua para comprobar la temperatura.
- Si la temperatura está por debajo de 120°F (49°C), haga que una persona calificada suba el ajuste del termostato del calentador de agua.

Importante: Antes de comenzar un ciclo, deje correr el agua caliente para despejar el agua fría de la tubería.

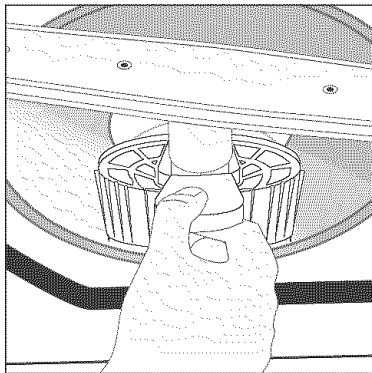
Cuidado y Limpieza

⚠ ADVERTENCIA	
	Peligro de quemaduras Permita que el elemento calefactor se enfríe antes de limpiar el interior. No hacerlo puede causar quemaduras.

Exterior – Ocasionalmente limpie el exterior con agua y un detergente no abrasivo. Enjuáguelo y séquelo.

Interior – El interior del lavavajillas se limpia solo con el uso normal. Si se necesita, limpie alrededor del área de la empaquetadura de la tina con un paño húmedo.

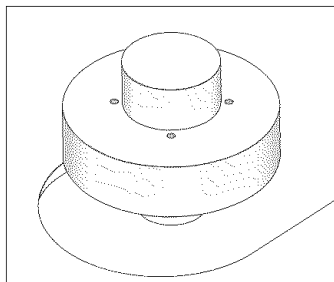
El filtro se limpia solo. La trampa de vidrio ubicada en el centro del filtro está diseñada para recoger pedazos de vidrios rotos, pajillas, huesos y pepitas. Para remover los artículos de la trampa de vidrio, agarre el mango, sáquela, vacíela y vuelva a colocarla en su lugar.



Nota: El agua dura puede causar una acumulación de depósitos de cal en el interior del lavavajillas. Para las instrucciones de limpieza, véase la sección “Cómo Quitar las Manchas y la Graza”.

Protector de Sobrellenado – evita que el lavavajillas se llene demasiado y está ubicado en la esquina izquierda delantera de la tina.

- Limpie ocasionalmente con un limpiador que contenga vinagre o blanqueador para disolver cualquier acumulación.
- El Protector de Sobrellenado debe moverse hacia arriba y hacia abajo libremente como una pulgada. Si no se mueve, sáquelo y límpielo por debajo.



Cuidado del Espacio de Aire de Drenaje

Si se instaló un espacio de aire de drenaje en su lavavajillas empotrado, inspecciónelo para asegurar que esté limpio, de manera que el lavavajillas drene debidamente. Un espacio de aire de drenaje por lo general está montado sobre el gabinete y puede inspeccionarse quitando la tapa. Esto no es parte de su lavavajillas y no está cubierto por la garantía.

⚠ PRECAUCIÓN
Peligro de daños a la propiedad Las temperaturas heladas pueden causar que las líneas de agua se rompan. Asegúrese de que todas las líneas de suministro y circulación dentro del lavavajillas estén protegidas. No hacerlo puede resultar en daños a la propiedad.

Preparación para el Invierno

Un lavavajillas que se deje en un lugar sin calefacción debe estar protegido para que no se congele. Busque una persona calificada para que haga lo siguiente:

Para desconectar el servicio:

1. Cierre todo el suministro de corriente eléctrica al lavavajillas en la fuente de suministro quitando los fusibles o cerrando el disyuntor.
2. Cierre el suministro de agua.
3. Coloque un recipiente debajo de la válvula de entrada. Desconecte la línea de agua de la válvula de entrada y drene en el recipiente.
4. Desconecte la línea de drenaje de la bomba y drene el agua en el recipiente.

Nota: Véanse las Instrucciones de Instalación para más detalles.

Para restaurar el servicio:

1. Vuelva a conectar el suministro de agua, drenaje y corriente eléctrica.
2. Abra el agua y el suministro de corriente eléctrica.
3. Llene ambas tazas de detergente y opere el lavavajillas en el ciclo NORMAL.
4. Verifique las conexiones para asegurar que no tengan fugas.

Nota: Véanse las Instrucciones de Instalación para más detalles.

Soluciones a Problemas Comunes del Lavado de Vajillas

Antes de llamar para solicitar servicio, revise esta lista, ya que podría ahorrarle tiempo y dinero. Esta lista incluye las experiencias comunes que no son el resultado de manufactura o materiales defectuosos en su lavavajillas.

La vajilla queda sucia

- Elija otro ciclo para un tiempo de lavado más largo.
- Verifique la sección de carga de los estantes para la forma correcta de cargar el lavavajillas – evite que los artículos queden pegados unos con los otros.
- La presión de agua de la casa puede que sea muy baja – debe ser de 20 a 120 libras por pulgada cuadra (psi).
- Verifique la temperatura del agua entrante. Debe ser de 120°F (49°C). (Véanse los Factores que Afectan el Rendimiento.)
- Verifique la dureza del agua. En casos de agua sumamente dura, podría ser necesario instalar un ablandador de agua. (Véase la Tabla de Detergentes.)
- Use un detergente fresco.
- Verifique que el embudo en el estante superior no esté obstruido.
- Asegúrese de que ningún artículo esté obstruyendo los brazos rociadores, evitando que giren.

La vajilla no está seca

- Seleccione la opción de secado con calor.
- Asegúrese de que el distribuidor del agente de enjuague esté lleno.
- Aumente la cantidad del agente de enjuague. (Véase Agente de Enjuague.)
- Verifique la temperatura del agua entrante. Debe ser de 120°F (49°C).
- Verifique la carga correcta – evite colocar los artículos pegados unos con los otros.
- Es posible que necesite secar los artículos de plástico con una toalla.
- Puede quedar agua en las tazas que tienen fondos cóncavos.

Cristalería y/o cubiertos manchados o empañados

- Verifique la dureza del agua. En caso de agua sumamente dura, podría ser necesario instalar un ablandador de agua. (Véase Distribuidor y Detergentes del Lavavajillas.)
- La temperatura del agua podría estar baja. Evite temperaturas extremadamente bajas o altas. (Véanse los Factores que Afectan el Rendimiento.)
- Evite sobrecargar o cargar incorrectamente el lavavajillas. (Véase Preparación y Carga de la Vajilla.)

- Use un detergente fresco. El detergente viejo es ineficaz.
- Asegúrese de que el distribuidor del agente de enjuague esté lleno.
- Verifique que se esté usando la cantidad correcta de detergente para el ciclo seleccionado. Además, verifique el nivel de fosfato. (Véase la Guía de Uso del Detergente.)
- La presión de agua de la casa podría ser muy baja – debe ser de 20 a 120 libras por pulgada cuadrada (psi).

La vajilla está astillada

- Colóquela con cuidado y no sobrecargue el lavavajillas. (Véase Preparación y Carga de la Vajilla.)
- Coloque los artículos delicados en el estante superior.
- Coloque los vasos asegurados contra los ganchos y no sobre los ganchos.
- Coloque los artículos de manera que estén seguros y no se muevan al sacar o meter los estantes. Saque y meta los estantes despacio.
- Asegúrese de que los vasos altos y las copas despejen la parte superior de la tina al mover el estante hacia adentro.
- Los artículos finos y antiguos de porcelana y cristal deben lavarse a mano.

La vajilla está manchada o descolorida

- El té y el café pueden manchar las tazas. Quite las manchas lavándolas a mano en una solución de 1/2 taza (120 ml) de blanqueador en un cuarto de galón (1 L) de agua tibia. Enjuáguelas bien.
- Los depósitos de hierro en el agua pueden causar una película amarilla o marrón. Un filtro especial instalado en la línea de suministro de agua puede corregir este problema (Véase Cómo Quitar las Manchas y la Película.)
- Los utensilios de aluminio pueden dejar manchas grises o negras cuando tropiezan con otros artículos. Colóquelos correctamente.
- Ciertos alimentos muy ácidos pueden causar el descoloramiento del acero inoxidable y los plásticos si se dejan en la vajilla por mucho tiempo. Use el ciclo RINSE HOLD (enjuague espera) o enjuague la vajilla a mano si no va a operar el lavavajillas en seguida.
- Mezclar utensilios de acero inoxidable y de plata en la canasta de cubiertos puede causar que las hojas de acero inoxidable se corroan. Evite mezclar acero inoxidable y plata.

Soluciones a Problemas Comunes del Lavado de Vajillas (continuación)

Aguafuerte

- Usar demasiado detergente en agua blanda o ablandada causa esta película que no puede quitarse.
- Ajuste la cantidad de detergente de acuerdo con la dureza del agua. (Consulte la Guía de Uso del Detergente.)
- Baje la temperatura del agua.
- Use la opción HEATED DRY OFF.

Queda detergente aún en las tazas

- El detergente podría ser viejo. Deséchelo y use detergente fresco.
- Asegúrese de que la acción del agua puede llegar al distribuidor.
- Verifique que el ciclo se haya completado.
- Asegúrese de que algún artículo no evite que el distribuidor de detergente abra.

El lavavajillas gotea

- Sólo use detergente fresco diseñado para lavavajillas automáticos. Mida el detergente cuidadosamente. Trate otra marca diferente.
- El agente de enjuague derramado puede producir espuma y causar que el agua se desborde. Limpie cualquier derrame del agente con un paño húmedo.
- Verifique que el lavavajillas esté nivelado. (Véanse las Instrucciones de Instalación.)

Sonidos normales que escuchará

- Los sonidos normales incluyen el llenado de agua, la circulación del agua y los sonidos del motor.
- Hay un cambio perceptible en el sonido cuando la acción de lavado cambia entre el brazo rociador inferior y el del medio. Esto es normal ya que cada brazo rociador tiene su propio sonido.
- Es normal que el lavavajillas se detenga (ningún sonido) cuando la acción de lavado está cambiando entre el brazo rociador inferior y el del medio.

Agua en el fondo de la tina

- El agua que queda en el fondo de la tina después de haber terminado el ciclo no es normal. Si queda agua en el fondo de la tina, el lavavajillas puede que no esté drenando correctamente. (Véase El Lavavajillas No Drena Correctamente.)

Vapor en el respiradero

- El vapor de agua sale del respiradero durante la parte de secado del ciclo. Esto es normal.

El lavavajillas no funciona

- Verifique para ver si el disyuntor se ha disparado o si un fusible está quemado.
- Asegúrese de que el suministro de agua esté abierto.
- Verifique si el ciclo está ajustado correctamente. (Véanse las Instrucciones de Funcionamiento.)
- ¿Está el lavavajillas ajustado para la opción de comienzo demorado?
- Asegúrese de que la puerta está cerrada y trabada.

El lavavajillas no drena correctamente

- Si la unidad está conectada a un triturador de desperdicios de comida, asegúrese de que el triturador esté vacío.
- Verifique que el tapón removible se haya quitado del interior de la entrada del triturador de desperdicios de comida.
- Verifique que la manguera de drenaje no esté doblada.
- Asegúrese de que el ciclo haya completado y no esté en una pausa.

El ciclo demora demasiado tiempo

- ¿Está el ciclo en una demora para calentar el agua?
- ¿Se ha seleccionado la opción de comienzo demorado?

El lavavajillas no se llena

- ¿Está abierto el suministro de agua?
- ¿Se mueve el protector de sobrellenado hacia arriba y hacia abajo libremente? (Véase la sección del Protector de Sobrellenado.)

El lavavajillas tiene mal olor

- La vajilla sucia que se deja demasiado tiempo en el lavavajillas puede producir mal olor. Use el ciclo RINSE HOLD.
- Habrá un olor a "nuevo" cuando se instale por primera vez. Esto es normal.
- Verifique que la unidad esté drenando debidamente. (Véase El Lavavajillas No Drena Debidamente.)

Soluciones a Problemas Comunes del Lavado de Vajillas (continuación)

Manchas en el interior de la tina

- Lavar grandes cantidades de artículos con comida que contiene tomate puede causar un aspecto rosado o anaranjado. Esto no afectará el rendimiento y se desvanecerá gradualmente con el tiempo. Preenjuagar o usar el ciclo RINSE HOLD reducirá la posibilidad de que la tina se manche. Usar la opción HEATED DRY OFF también reducirá las manchas.

Cómo quitar las manchas y la graza

El agua dura puede causar la acumulación de depósitos de cal en el interior del lavavajillas. Los platos y vasos también pueden tener manchas y una graza por varias razones. (Véase la sección de Cristalería/Cubiertos Manchados o Empañados.) Para quitar la acumulación, las manchas y la graza, siga estas instrucciones:

1. Coloque los platos y los vasos de la forma normal. No cargue ningún utensilio ni cubierto de metal.
2. No agregue detergente.
3. Seleccione el ciclo POTS PANS. Cierre y trabe la puerta.
4. Permita que el lavavajillas funcione por 20 minutos hasta alcanzar la porción del ciclo que corresponde al lavado principal.
5. Destrabe y abra la puerta y vierta 2 tazas de vinagre blanco en el fondo del lavavajillas.
6. Cierre y trabe la puerta y permita que el ciclo termine.

Nota: Si estas condiciones persisten, deberá considerarse instalar un ablandador de agua para el hogar.

Para personalizar su lavavajillas para que haga juego con sus gabinetes:

- Necesitará un kit de guarnición.
- Consulte el Paso 10 de las Instrucciones de Instalación incluidas con su lavavajillas para obtener más información.

Get it fixed, at your home or ours!

Your Home

For repair – **in your home** – of **all** major brand appliances, lawn and garden equipment, or heating and cooling systems, **no matter who made it, no matter who sold it!**

For the replacement parts, accessories and owner's manuals that you need to do-it-yourself.

For Sears professional installation of home appliances and items like garage door openers and water heaters.

1-800-4-MY-HOME® (1-800-469-4663)

Call anytime, day or night (U.S.A. and Canada)

www.sears.com

www.sears.ca

Our Home

For repair of carry-in products like vacuums, lawn equipment, and electronics, call or go on-line for the location of your nearest **Sears Parts & Repair Center.**

1-800-488-1222

Call anytime, day or night (U.S.A. only)

www.sears.com

To purchase a protection agreement (U.S.A.) or maintenance agreement (Canada) on a product serviced by Sears:

1-800-827-6655 (U.S.A.)

1-800-361-6665 (Canada)

Para pedir servicio de reparación a domicilio, y para ordenar piezas:

1-888-SU-HOGARSM

(1-888-784-6427)

Au Canada, pour service en français:

1-800-LE-FOYER^{MC}

(1-800-533-6937)

www.sears.ca



Free Manuals Download Website

<http://myh66.com>

<http://usermanuals.us>

<http://www.somanuals.com>

<http://www.4manuals.cc>

<http://www.manual-lib.com>

<http://www.404manual.com>

<http://www.luxmanual.com>

<http://aubethermostatmanual.com>

Golf course search by state

<http://golfingnear.com>

Email search by domain

<http://emailbydomain.com>

Auto manuals search

<http://auto.somanuals.com>

TV manuals search

<http://tv.somanuals.com>