

Save this manual
for future reference

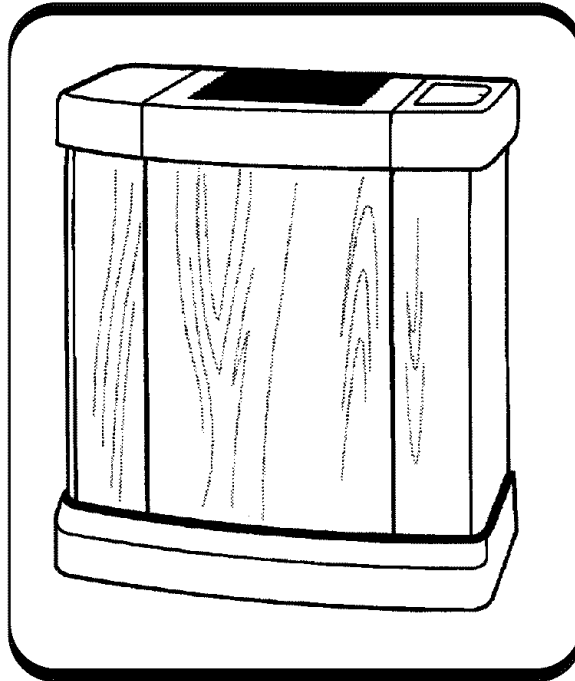
SEARS

**owner's
manual**

Stock No.
42-14407

Model No.
758.144071

**FOR YOUR
SAFETY:**
READ
ALL INSTRUCTIONS
CAREFULLY



Kenmore[®]
QUIET COMFORT

**WHOLE HOUSE
HUMIDIFIER**
7 Gallon Output

- Operating Instructions
- Parts List

Sears, Roebuck and Co., Hoffman Estates, IL 60179 U.S.A.

FULL ONE YEAR WARRANTY ON HUMIDIFIER

If within one (1) year from the date of purchase, this humidifier fails due to a defect in material or workmanship, Sears will repair it, free of charge. If within two (2) years from the date of purchase, the motor fails due to defect in material or workmanship, Sears will repair it free of charge.

This warranty service is available by simply returning the humidifier to the nearest Sears Service Centre/Department throughout the United States.

This warranty gives you specific legal rights, and you may also have other rights which vary from state to state.

Sears, Roebuck and Co., D/817 WA, Hoffman Estates, IL 60179

GENERAL SAFETY INSTRUCTIONS

Safety Signal Words

DANGER: means if the safety information is not followed, someone **will** be seriously injured or killed.

WARNING: means if the safety information is not followed, someone **could** be seriously injured or killed.

CAUTION: means if the safety information is not followed, someone **may** be seriously injured or killed.

1. To reduce the risk of fire or shock hazard, plug humidifier directly into a 120V, A.C. electrical outlet. Do not use extension cords.
2. Keep the electric cord out of traffic areas. To reduce the risk of fire hazard, never put the electric cord under rugs, near heat registers, radiators, stoves or heaters.
3. Always unplug the humidifier before moving it, before cleaning, or whenever the humidifier is not in service.

4. Keep the humidifier clean.
5. Do not put foreign objects inside the humidifier.
6. Never use your humidifier while any part is missing or damaged in any manner.
7. To reduce the risk of electrical hazard or damage to humidifier, do not tilt, jolt or tip humidifier while unit is running.
8. To reduce the risk of damage to humidifier, unplug humidifier, when water bottle is empty or when the humidifier is not in use.
9. To reduce the risk of accidental electrical shock, do not touch the cord or controls with wet hands.
10. Note the warning label shown below.

WARNING: To reduce risk of fire, electric shock, or injury always unplug before filling, servicing or cleaning.

Table of Contents

Warranty Information	2	Water Fill	6-7
General Safety Instructions	2	Operating Humidifier Controls	7
To Save A Service Call	2	Using Your Humidifier	8
Know Your Humidifier	3	Operating Tips for Best Performance	8
Humidifier Operations	4	Replacement and Care of Filters	9-10
Assembly	4	Cleaning Your Humidifier	11-12
Location Instructions	4-5	Troubleshooting	13
Electrical Hook-Up	5	Repair Parts	14-15

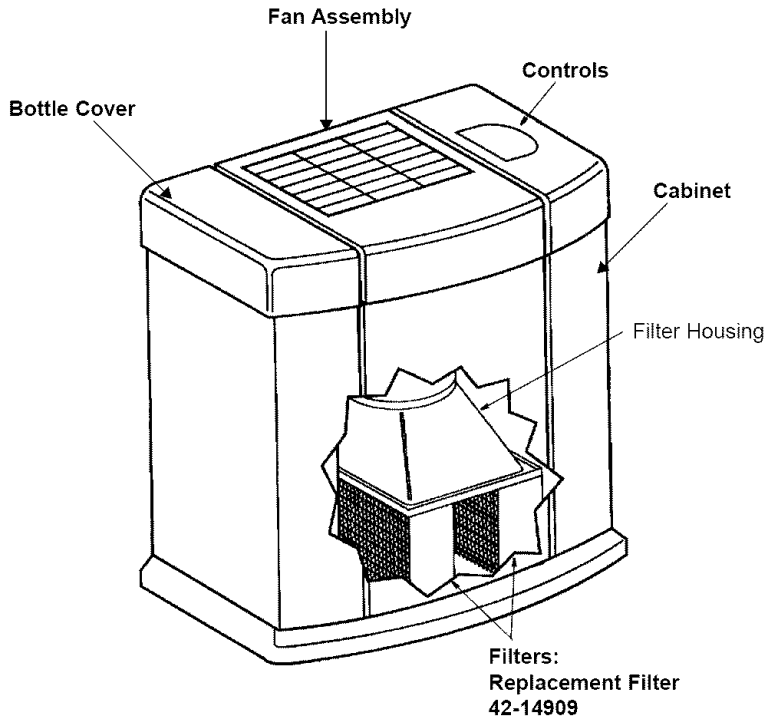
To Save a Service Call

Check the following if your humidifier will not operating.

1. Is power cord attached to outlet?
2. Is there electrical power to outlet?

3. Is airflow control in operating position?
4. Is humidity control set high enough?
5. Is the cabinet setting on a level surface?

Know Your Humidifier



Description	42-14407
Gallon Output/24 hrs	7
Capacity of Bottle	2.5 Gallons
* Sq. Ft. Coverage	1500
Fan Speeds	3
Filters	2 (42-14909)
Fill Light	Yes
Auto Humidistat	Yes
Auto Shut Off	Yes
Controls	Rotary
CUL Listed	Yes
AHAM Certified	Yes
Volts	120 A.C.
Hertz	60
Amps	1.14
Watts	65

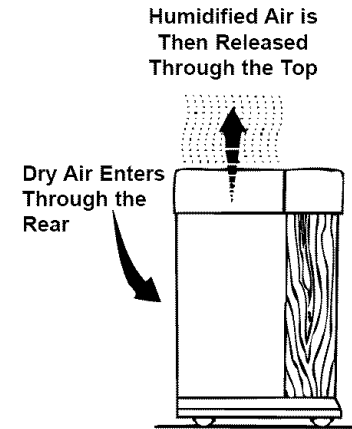
* Based on an area with average insulation and an 8 foot ceiling height.

Humidifier Operations

Your new Sears humidifier is designed to satisfy home humidity requirements through the principle of evaporation of water in the air.

After water is added to the bottle, the filters begin to soak up the water and become totally saturated in approximately 30 minutes. Air drawn in from the rear of the humidifier passes through the filters by means of a circulation fan. As air passes through the filters, moisture is absorbed into the air and then released in the form of vapor. No water droplets will enter the home. All evaporation into the air takes place in the humidifier, which means that the residue left by evaporating water is not passed into the home, but remains in the filter.

CAUTION: Use only 42-14900 EPA Registered Bacteriostat available from SEARS Retail store. Under no circumstances should you use water treatment products designed for Roto belt or Ultrasonic humidifiers.



CAUTION: To reduce the risk of injury, fire or damage to humidifier, use only cleaners specifically recommended for humidifiers. Never use flammable, combustible or poisonous materials to clean your humidifier. To reduce the risk of scalds and damage to humidifier, never put hot water in humidifier.

Assembly

Your new Sears Kenmore humidifier is completely assembled for you to use.

Follow the instructions of this owner's manual for proper usage.

Location Instructions

WARNING: For your own safety, do not use humidifier if any parts are damaged or missing.

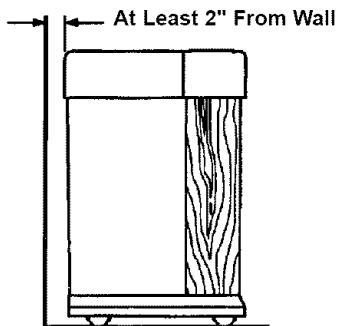
Step 1

Place humidifier on a flat level surface in an area of house where most humidity is needed, or one which would likely result in moist air being circulated throughout the house such as near a cold air return. Placing the unit level is very important if the humidifier is located on carpeting. Moist air (humidity) produced will disperse into the whole house, but area closest to the unit will have the highest humidity. If the unit is positioned close to a window, condensation may form on the window pane. If this is not appropriate the unit should be repositioned in another location.

NOTE: Due to release of cool, moist air from humidifier, it is best to direct air away from home thermostat and hot air registers. It is best to position humidifier next to an inside wall. Hot air registers and cold air from outside walls can affect the efficiencies of the controls. Unit should not be placed where warm air from a hot air register blows directly on unit.

Step 2

The humidifier should be positioned with the back (cord exit side), at least 2 inches away from the wall. Air needs to enter through the louvers in the rear of the cabinet in order for the humidifier to operate at peak efficiency.



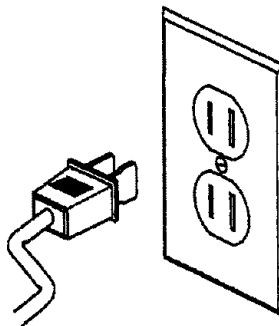
Electrical Hook-Up

Locate nearest 120V A.C. wall socket in the location desired, preferably on inside wall. Plug in the electrical cord.

WARNING: To reduce the risk of fire or shock hazard, humidifier should be plugged into a 120V A.C. outlet. Do not use extension cords.

To reduce the risk of electrical shock, this humidifier has a polarized plug (one blade is wider than the other). This plug will fit in a polarized outlet only one way. If the plug does not fit fully in the outlet,

reverse plug. If it still does not fit, contact a qualified electrician to install the proper outlet. Do not change the plug in any way.



Water Fill

WARNING: To reduce the risk of shock, always unplug humidifier before cleaning or servicing.

WARNING: To reduce the risk of fire or shock hazard, do not pour or spill water into control or motor area. Close the control cover. If controls get wet, let them dry completely and have unit checked by an authorized service personnel before plugging in.

This humidifier is designed for use with the water bottle located under the bottle cover to the left of the fan assembly. The humidifier should be positioned where it will be operating.

To fill the whole house humidifier, close the control cover and remove the bottle cover. To remove the water bottle, lift the bottle straight up and out of the cabinet. The water bottle is designed with an "E-Z-Fill Side-Cap". Remove the "E-Z-Fill Side-Cap" on the side of the water bottle by twisting counterclockwise.

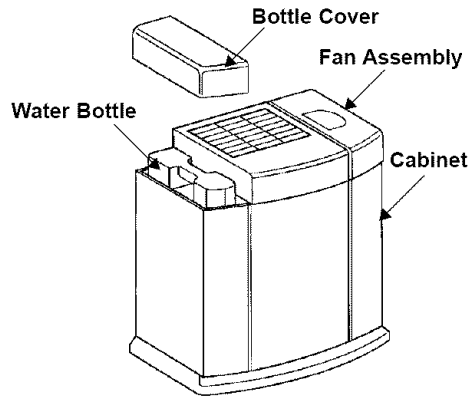
Place the opening of the water bottle under a water faucet (the bottle should fit under a four-inch clearance faucet). Fill with recommended mixture of cold water and if necessary Sears Bacteriostat #42-14900 only. Solid debris could make the valve leak.

Install the "E-Z-Fill Side-Cap" by twisting clockwise. Hand tighten only.

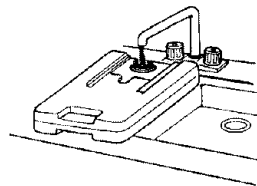
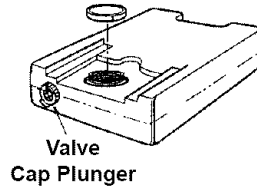
Check for possible leaks by performing the following:

1. Grasp bottle handle and hold the bottle upright over a sink.
2. Press up on valve cap plunger for about one second to let out a little water.
3. Release the plunger.
4. Listen for air bubbles. Look for leaks around the "E-Z-Fill Side-Cap".
5. If you hear air bubbles or see leaks, retighten the "E-Z-Fill Side-Cap" and repeat steps 1-4.

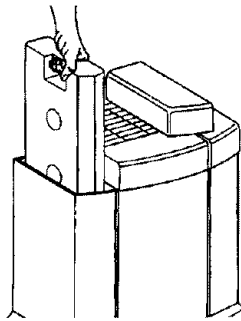
Wipe off excess water from the bottle.



Turn Counterclockwise
to Remove "E-Z-Fill Side-Cap"



Position the water bottle back into the cabinet by grasping the water bottle handle and lower into the cabinet. The "E-Z-Fill Side-Cap" must be facing the center of the cabinet. When positioned properly, the plunger will open and water will flow into the cabinet. The water level will automatically remain at approximately 1" until the bottle is empty. The unit is now ready for operation.



Front of Humidifier

Operating Humidifier Controls

The operating controls of your Kenmore Quiet Comfort whole house humidifier are located on the top right of the humidifier. The controls are found under the smoked control cover.

Lift the control cover by placing your finger in the round cutout and lifting. The cover will stay open. Now you can clearly see the control area. Familiarize yourself with the controls and reference the diagram of the control area for the correct naming used in this manual.

To Operate the Controls

Humidity Control:

Adjust the amount of humidity depending on your needs. The humidifier will turn on and off as required to maintain level of humidity selected. A medium setting (half way between MIN and MAX) is recommended, but there are times when low or high amount of humidity may be preferred. For constant operation of humidifier, MAX allows for the maximum amount of humidity to be evaporated into the air continuously.

IMPORTANT: Water damage may result if condensation starts to form on windows or walls. Humidity Control setting should be lowered until condensation no longer forms.

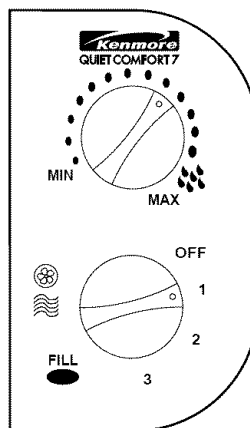
Speed Control

Your Kenmore Quiet Comfort Whole House humidifier has a three speed fan control switch. (1-Low, 2-Medium and 3-High). The maximum humidity output is obtained with the fan control on high (3).

The higher the air flow speed, the more water is evaporated and released into the air. Low speed (1) is the quietest and is provided for conditions that may not require as high an evaporation rate.

Fill Light

When the unit has a small amount of water left in it, the fill light will come on and the unit will automatically shut off.



Using Your Humidifier

Step 1

Be sure unit is full of water and plugged in.

Step 2

Set the Speed Control to LOW (1).

Step 3

Set Humidity Control to a medium position (half way between MIN and MAX.)

NOTE: Humidifier should operate with humidity control on the recommended medium setting. If it does not, the humidity is at a relatively high level. To test the unit under this condition, turn Humidity Control all the way to MAX and unit should begin to operate. After the unit has been tested, set Humidity Control to medium or desired level.

Allow 24 hours for humidifier to adjust.

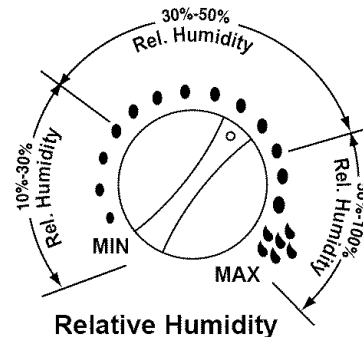
If humidity level in home is sufficient, the humidifier will only operate with Humidity Control set on maximum.

IMPORTANT: Water damage may result if condensation starts to form on windows or walls. Humidity Control setting should be lowered until condensation no longer forms.

Step 4

If humidifier stops running and the Fill Light is not illuminated, the humidity level is at the normal requirements for that setting or it is adjusting to the home conditions. The table below shows recommended indoor humidity levels. The figure below shows approximate relative humidity percentages which correspond to the various settings of the Humidity Control.

When Outdoor Temperature is:	Recommended Indoor Relative Humidity is:
-10°F	20%
0°F	25%
10°F	30%
20°F & above	35%



Operating Tips for Best Performance

- Position the humidifier at least 2 inches from any wall and away from any heat registers.
- Do not restrict airflow from entering or exiting the humidifier.
- Use 42-14900 EPA approved bacteriostat (available at your local Sears store) to retard bacteria growth that may cause odors and may be harmful to your health.
- Regular cleaning as instructed in "Cleaning Your Humidifier" section of this manual is recommended.
- Replace the evaporative wicking filters at least once per humidification season or more depending on water conditions in your area.

Replacement and Care of Filters

WARNING: To reduce the risk of shock or injury from moving parts, always unplug humidifier before removing or replacing any parts.

CAUTION: To help retard bacteria growth and keep maximum efficiency, the filters should be replaced at least once per season, or more often under hard water conditions. Use Sears recommended replacement filters.

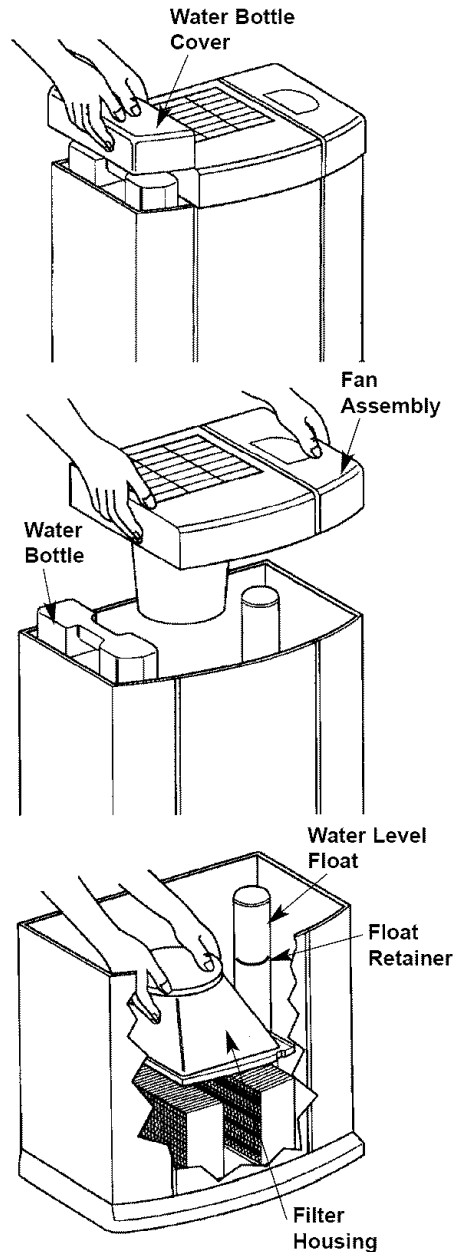
All filters may be rinsed in clear water only. Take care not to damage paper. To replace evaporative wicking filters in your Kenmore Quiet Comfort Whole House humidifier, follow the instructions below.

1. Unplug humidifier and proceed to clean.

Before removing the filters, we recommend moving the humidifier to an area where floor coverings are not susceptible to water damage, i.e. kitchen or bath areas.

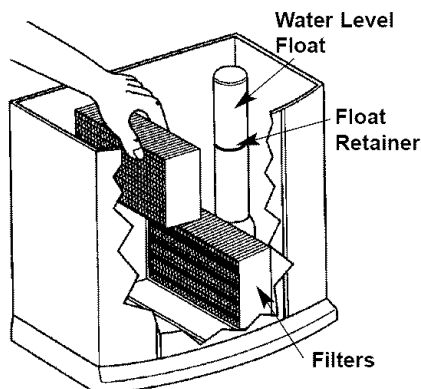
2. To remove parts:

Remove the water bottle cover. Lift the fan assembly and set aside on a clean flat surface. Remove the water bottle. Lift and remove the filter housing from the cabinet and set to the side. The paper filters are now accessible.

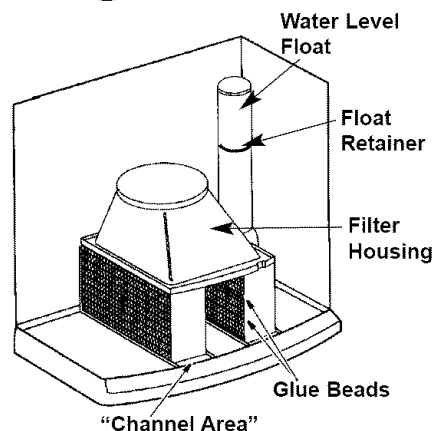


Replacement and Care of Filters (continued) —

3. a. Remove the two filters and dispose of properly.
- b. Clean internal parts of the humidifier per the "Cleaning Your Humidifier" section of your owner's manual.

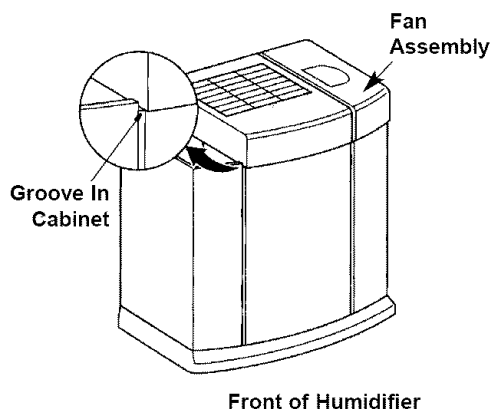


- c. Install new filters inside the cabinet with the glue beads on the filter facing the center of the cabinet. The filters should sit in the channel areas inside the cabinet. Make sure the filters are resting on the floor of the cabinet.



- d. Return the filter housing to the cabinet. Position the filter housing onto the filters. Align the back of the filter housing over the filters and between the rear ribs of the cabinet. Place the filter housing down onto the filters. Make sure the filters are captured inside the side flanges of the filter housing.

- e. Position fan assembly onto the cabinet. Make sure the fan venturi (lowest cylinder section below the fan) is placed inside the filter housing. The left edge of the fan assembly housing should rest in the groove of the cabinet.



- f. Replace water bottle and the water bottle cover. The right edge of the water bottle cover will rest in the groove of the cabinet mentioned above.
- g. The unit is ready for use or to be stored away for the next season.

Cleaning Your Humidifier

WARNING: To reduce the risk of injury, fire or damage to humidifier, use only cleaners specifically recommended for humidifiers. Never use flammable, combustible or poisonous materials to clean your humidifier. To reduce the risk of scalds and damage to humidifier, never put hot water in humidifier.

CAUTION: Local water purity varies from area to area and under certain conditions water impurities and airborne bacteria may promote the growth of microorganisms in the reservoir of the humidifier.

To retard bacteria growth that may cause odors and be harmful to your health, use only Sears replacement filters. We also recommend using EPA approved bacteriostat, 42-14900 and humidifier cleaner 42-14713, available at your local Sears store.

NOTE: If it is necessary to use approved bacteriostat, follow directions correctly.

The bottle of the whole house humidifier will hold 2-1/2 gallons of water.

Step 1

To make cleaning easier, the humidifier cabinet should be empty and completely dried out. To accomplish this, use the following method:

- Allow the humidifier to run until the automatic shutoff turns the humidifier "OFF".
- Unplug humidifier.

WARNING: If humidifier is not unplugged, fan could start after housing is removed.

- Follow instructions in Step 2 "To Remove Parts".

Step 2

To Remove Parts

NOTE: Refer to diagrams on pages 9 and 10 if necessary.

- Remove the water bottle cover and the water bottle. Set parts aside.
- Lift and remove the fan assembly and set aside.
- Before removing the internal parts of the humidifier cabinet, we recommend moving the humidifier to an area where floor coverings are not susceptible to water damage, i.e. kitchen or bath area. Remove the filter housing and filters.
- Remove the water level float by pinching the float retainer at the back of the humidifier cabinet.
- The cabinet should be empty, if any water is in the cabinet, empty as necessary.
- Proceed to "Bi-Weekly Maintenance or "End of Season Maintenance." Then continue as described below.

Step 3

Install new filters (purchase the correct evaporative wicking filter pads 42-14909 for your humidifier) into the location where the old filters were positioned. Replace filter housing. Reinstall the water level float into the cabinet. Position the fan assembly on top of the cabinet and replace the water bottle and water bottle cover. The unit is ready for storage or operational use.

Cleaning of Humidifier (continued)

Bi-Weekly Maintenance

Removing Scale

1. Fill the humidifier cabinet with one 8 oz. cup of undiluted white vinegar. Let solution stay 20 minutes.
2. Clean all interior surfaces with a soft brush. Dampen a soft cloth with undiluted white vinegar and wipe out the cabinet to remove scale.
3. Rinse thoroughly with clean warm water to remove scale and cleaning solution before disinfecting cabinet.
4. Dust the fan assembly and outside surfaces with a soft cloth only.

Disinfecting Water Bottle and Cabinet

1. Pour 1 gallon of water and 1 teaspoon chlorine bleach into the cabinet. Let solution stay for 20 minutes, swishing every few minutes. Wet all surfaces normally exposed to water.
2. Empty cabinet after 20 minutes. Rinse with water until bleach smell is gone. Allow unit to dry out completely.

3. Water bottle should be cleaned in the same manner.

End of Season Maintenance

1. Follow "Bi-Weekly Maintenance" instructions at end of humidification season.
2. Remove and throw away filters.
3. Let humidifier dry completely before storing. Do not store with water inside cabinet.
4. Store in cool, dry location.
5. Install new filters in clean humidifier before next season begins.
6. "Bi-Weekly Maintenance" is recommended if you do not plan to run the humidifier for one week or more.

Troubleshooting

Trouble	Probable Cause	Remedy
Unit will not run and Fill Light is not on.	<ul style="list-style-type: none"> Selected humidity level has been established. No Power. 	<ul style="list-style-type: none"> Raise humidistat setting. Check 120 volt power source.
Unit will not shut off.	<ul style="list-style-type: none"> Float is not free. 	<ul style="list-style-type: none"> Free float from obstruction.
Unit will not dry out completely.	<ul style="list-style-type: none"> This is normal. 	<ul style="list-style-type: none"> A small amount of water remains in the cabinet after the Fill Light comes on.
Bottle continues to empty.	<ul style="list-style-type: none"> Air is entering water bottle. 	<ul style="list-style-type: none"> Check "E-Z-Fill Side-Cap" and valve assembly cap to ensure tightness. Check for leak in water bottle. Ensure gasket for "E-Z-Fill Side Cap" is in place (see repair parts list).
Unit is not emptying during use.	<ul style="list-style-type: none"> Dirty filters Bottle cap plunger missing post in bottom of cabinet 	<ul style="list-style-type: none"> Change to fresh new filters. Check orientation of bottle. Reposition so that bottle cap plunger is depressed by post in bottom of cabinet.
Unit runs and shuts off before bottle is empty.	<ul style="list-style-type: none"> Unit is not set up on a level surface. (Float will not sense water at the rear of the cabinet.) 	<ul style="list-style-type: none"> Position unit level. (Some carpet padding may allow unit to sit lower on the left side than the right side due to the weight of the water bottle on left side. Install coasters under left caster.)

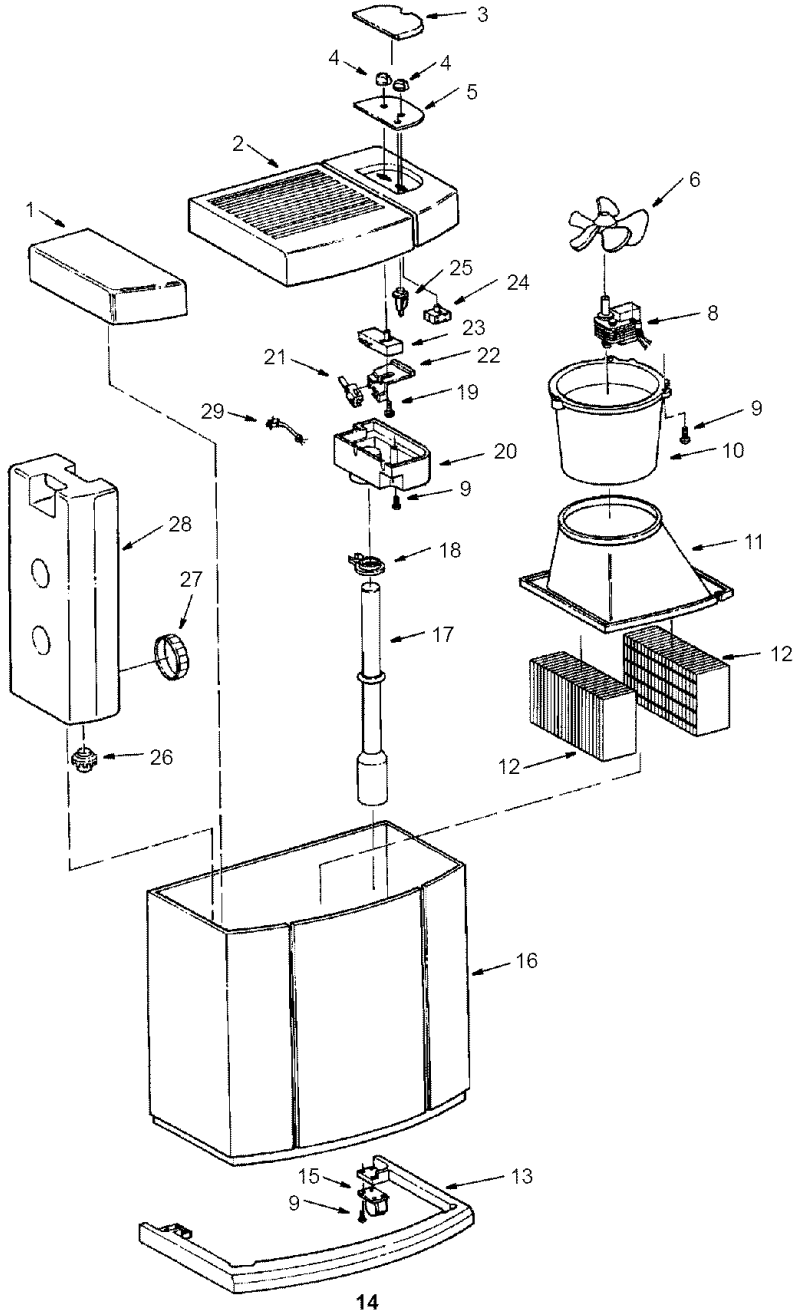
CAUTION: Use only 42-14900 EPA Registered Bacteriostat available from Sears Retail store.

Use of other water treatment products may damage the filter elements.

Under no circumstances should you use water treatment products designed for Roto belt or Ultrasonic humidifiers.

Repair Parts

Parts List for Sears Humidifiers Model No. 758.144071



Repair Parts

Parts List for Sears Humidifiers

Model No. 758.144071

Always order by part number - Not by key number

Key No.	Part No.	Description
1	825807	Cover, Bottle
2	825837	Lid, Stationary
3	825809	Cover, Control
4	826544-1	Knob
5	828427	Label, Control
6	822406-1	Fan
8	828539	Motor (Includes mounting hardware)
9	STD611007	* Screw, Pan Hd. Ty "AB" 10 x 3/4
10	828534	Support, Motor
11	825848	Housing, Filter
12	42-14909	† Filter, Evaporative
13	825847	Rail, Kick
15	828515	Caster, Twin Wheel
16	825867-2	Cabinet
17	828200-2	Float, Water Level
18	824101-1	Retainer, Float
19	STD610803	* Screw, Pan Hd. Ty "AB" 6 x 3/8
20	825806	Cover, Electronics
21	823728	Switch, Micro
22	825855	Retainer, Micro Switch
23	13805-02	Humidistat
24	818983	Switch, Three Speed
25	825858	Light, Pilot
26	509229-1	Cap, Valve Assembly
27	824690	"E-Z-Fill Side-Cap"
28	826101	Bottle (Includes Key No's 26 & 27)
29	821904	Cord w/Plug
-	SP6296	Owners Manual (Not Illustrated)

* Standard Hardware Item - May be purchased locally

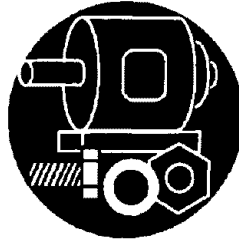
† Stock item - May be secured through the Hardware Department of most Sears retail stores.

For the repair or replacement parts you need

Call 7 am - 7 pm, 7 days a week

1-800-366-PART

(1-800-366-7278)



For in-home major brand repair service

Call 24 hours a day, 7 days a week

1-800-4-REPAIR

(1-800-473-7247)



For the location of a Sears Repair Service

Center in your area

Call 24 hours a day, 7 days a week

1-800-488-1222



For information on purchasing a Sears

Maintenance Agreement or to inquire

about an existing Agreement

Call 9 am - 5 pm, Monday-Saturday

1-800-827-6655

SEARS

REPAIR SERVICES

America's Repair Specialists



The model number will be found on the Humidifier identification label.

When requesting service or ordering parts, always provide the following information:

- Product Type
- Model Number
- Part Number
- Part Description

Free Manuals Download Website

<http://myh66.com>

<http://usermanuals.us>

<http://www.somanuals.com>

<http://www.4manuals.cc>

<http://www.manual-lib.com>

<http://www.404manual.com>

<http://www.luxmanual.com>

<http://aubethermostatmanual.com>

Golf course search by state

<http://golfingnear.com>

Email search by domain

<http://emailbydomain.com>

Auto manuals search

<http://auto.somanuals.com>

TV manuals search

<http://tv.somanuals.com>