

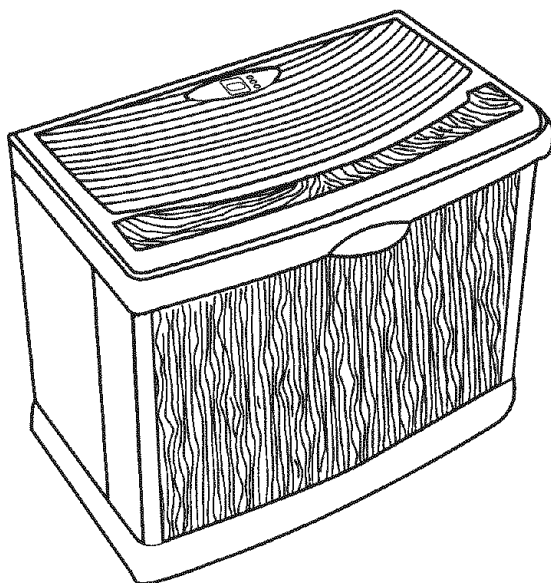
READ AND SAVE THESE INSTRUCTIONS

Operator's Manual



WHOLE HOUSE HUMIDIFIER

14 Gallon Output with
Innovative Twin Fan Technology
Model 758.154200



CAUTION: Before using this product, read this manual and follow all its Safety Rules and Operating Instructions.

- Safety
- Assembly
- Operation
- Maintenance
- Parts
- Español, p. 17

Sears, Roebuck and Co., Hoffman Estates, IL 60179 U.S.A.
www.sears.com

ONE YEAR FULL WARRANTY ON KENMORE HUMIDIFIER

If any part of this humidifier fails due to a defect in material or workmanship within one year from the date of purchase, or if the humidifier motor fails due to a defect in material or workmanship during the second year from the date of purchase, **RETURN THE HUMIDIFIER TO THE NEAREST SEARS PARTS & REPAIR CENTER**, and it will be repaired free of charge. This warranty does not include humidifier filters, which are expendable parts that can wear out from normal use in less than one year. This warranty gives you specific legal rights, and you may also have other rights which vary from state to state.

Sears, Roebuck and Co., Dept. 817WA, Hoffman Estates, IL 60179

GENERAL SAFETY INSTRUCTIONS

Safety Signal Words

DANGER: means if the safety information is not followed someone **will** be seriously injured or killed.

WARNING: means if the safety information is not followed someone **could** be seriously injured or killed.

CAUTION: means if the safety information is not followed someone **may** be injured.

1. To reduce the risk of fire or shock hazard, plug humidifier directly into a 120V, A.C. electrical outlet. Do not use extension cords.
2. Keep the electric cord out of traffic areas. To reduce the risk of fire hazard, never put the electric cord under rugs, near heat registers, radiators, stoves or heaters.
3. Always unplug the humidifier before moving it, before cleaning, or whenever the humidifier is not in service.
4. Keep the humidifier clean.
5. Do not put foreign objects inside the humidifier.
6. Do not allow to be used as a toy. Close attention is necessary when used by or near children.
7. Never use your humidifier while any part is missing or damaged in any manner.
8. To reduce the risk of electrical hazard or damage to humidifier, do not tilt, jolt or tip humidifier while unit is running.
9. To reduce the risk of damage to humidifier, unplug when not in use.
10. To reduce the risk of accidental electrical shock, do not touch the cord or controls with wet hands.
11. Note the warning label shown below.

WARNING: To reduce risk of fire, electric shock, or injury always unplug before servicing or cleaning.

Table of Contents

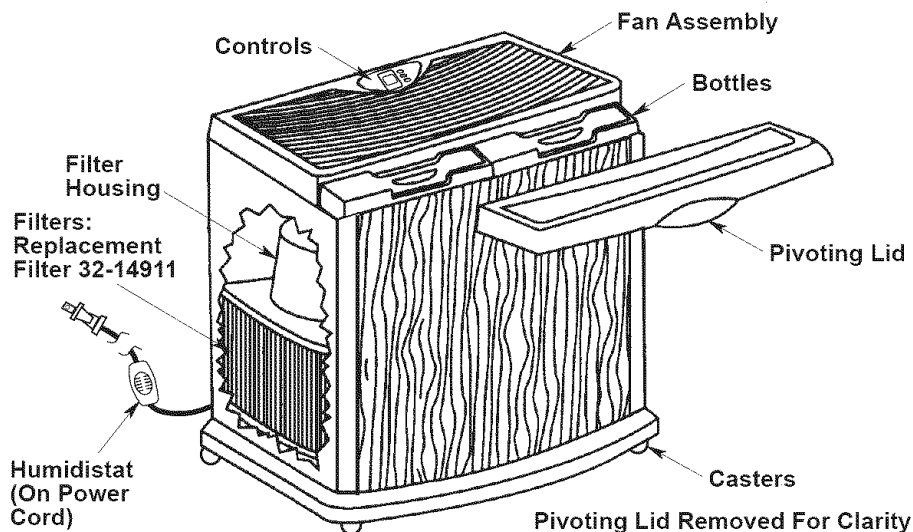
Warranty Information.....	2	Electrical Hook-Up	6
General Safety Instructions.....	2	Water Fill	6-7
To Save A Service Call	3	Operating Humidifier Controls	8-9
Know Your Humidifier	3	Using Your Humidifier.....	9-10
How Your Humidifier Works.....	4	Replacement and Care of Filters.....	11-12
Assembly.....	4	Cleaning and Maintenance	12-13
Location Instructions	5	Troubleshooting	14
Operating Tips for Best Performance.....	5	Repair Parts.....	15-16

To Save A Service Call

Check the following if your humidifier is not operating.

1. Is power cord attached to outlet?
2. Is there electrical power to outlet?
3. Is airflow control in operating position?
4. Is humidity control set high enough?
5. Is the cabinet sitting on a level surface?

Know Your Humidifier



Description	758.154200
* Gallon Output/24 hrs	14
Capacity of Bottles	2-3/8 Gallons Each
* Sq. Ft. Coverage	2900
Fan Speeds	3
Auto Fan Speed	Yes
Replacement Filters	Set of 4 (32-14911)
Refill Indicator	Yes
Auto Shut Off	Yes
Auto Humidistat	Yes
Controls	Electronic (Push Button)
Control Lock	Yes
Casters	Yes
UL Listed	Yes
Volts	120 A.C.
Hertz	60
Amps	2.88
Watts	165

* Based on an area with average insulation and an 8 foot ceiling height
ANSI/AHAM HU-1-1997, SEC. 8.1, results may vary.

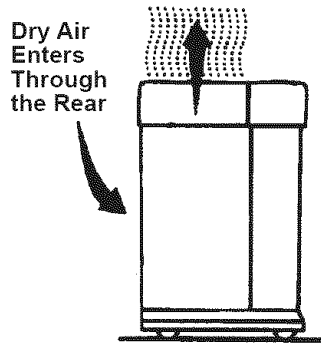
How Your Humidifier Works

Your new Kenmore humidifier is designed to satisfy home humidity requirements through the principle of evaporation of water into the air.

After water is added to the bottle, the filters begin to soak up the water and become totally saturated in approximately 30 minutes. Air is drawn in from the rear of the humidifier and through the filters by means of circulation fans. As air passes through the filters, moisture is absorbed into the air and then released in the form of vapor. No water droplets will enter the home. All evaporation into the air takes place in the humidifier, which means that the residue left by evaporating water is not passed into the home, but remains in the filter.

CAUTION: Use only 32-14900 EPA Registered Bacteriostat available from Sears Retail store. Under no circumstances should you use water treatment products designed for Roto belt or Ultrasonic humidifiers.

Humidified Air is Then Released Through the Top



CAUTION: To reduce the risk of injury, fire or damage to humidifier, use only cleaners specifically recommended for humidifiers. Never use flammable, combustible or poisonous materials to clean your humidifier.

To reduce the risk of scalds and damage to humidifier, never put hot water in humidifier.

Assembly

Your new Sears Kenmore humidifier is completely assembled for you to use. Remove the bag pack containing two plastic caster pads from top of humidifier and retain for future use if required. See the following Step 1 for instructions.

Remove the packaging material from inside your humidifier and follow the instructions of this operator's manual for proper usage. The packaging material is located under the fan assembly. Remove the packaging material and discard.

Location Instructions

WARNING: For your own safety, do not use humidifier if any parts are damaged or missing.

Step 1:

Place humidifier on a flat level surface in an area of your house where humidity is needed most, or in an area which would likely result in moist air being circulated throughout the house, such as near a cold air return.

Placing the unit level is very important if the humidifier is located on carpeting.

NOTE: The 14 gallon humidifier contains water bottles. The weight of the bottles in the front of the cabinet may cause the front casters to sink deeper into the carpet. If this happens, the water level will be higher towards the front of the humidifier, and lower towards the back. The water level float (located at the rear of the cabinet) may not sense the water so the flashing "F" will be displayed and the unit will not energize. If this happens, the unit will need to be leveled in order for the humidifier to be energized. To level the humidifier when located on carpet, place the included caster pads under the front two casters of the humidifier only.

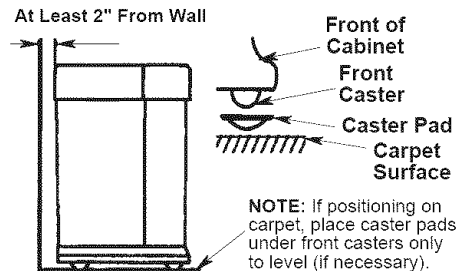
NOTE: Due to release of cool, moist air from humidifier, it is best to direct air away from home thermostat and hot air registers. It is best to position humidifier next to an inside wall. Hot air registers

and cold air from outside walls can affect the efficiencies of the controls. Unit should not be placed where warm air from a hot air register blows directly on unit.

Moist air (humidity) produced will disperse into the whole house, but area closest to the unit will have the highest humidity. If the unit is positioned close to a window, condensation may form on the window pane. If this is not appropriate the unit should be repositioned in another location.

Step 2:

The humidifier should be positioned with the back (cord exit side), at least 2 inches away from the wall. Air needs to enter through the louvers in the rear panel in order for the humidifier to operate at peak efficiency.



Operating Tips for Best Performance

1. Position the humidifier at least 2 inches from any wall and away from any heat registers.
2. Do not restrict airflow from entering or exiting the humidifier.
3. Use Sears recommended bacteriostat 32-14900 to retard bacteria growth that may cause odors and may be harmful to your health.
4. Perform regular cleaning as instructed in "Cleaning and Maintenance" section of this manual.
5. Replace the evaporative wicking filters at least once per humidification season or more depending on water conditions in your area.

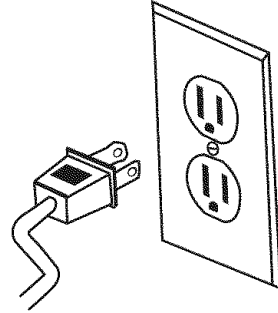
Electrical Hook-Up

Locate nearest 120V A.C. wall socket in the location desired, preferably on inside wall. With the humidifier in the desired location, route the electrical cord safely so no one will trip or upset the humidifier. Plug in the electrical cord.

WARNING: To reduce the risk of fire or shock hazard, humidifier should be plugged into a 120V A.C. outlet. Do not use extension cords.

To reduce the risk of electrical shock, this humidifier has a polarized plug (one blade is wider than the other). This plug will fit in a polarized outlet only one way.

If the plug does not fit fully in the outlet, reverse plug. If it still does not fit, contact a qualified electrician to install the proper outlet. Do not change the plug in any way.



Water Fill

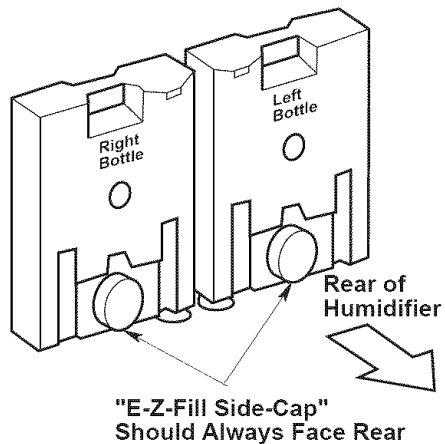
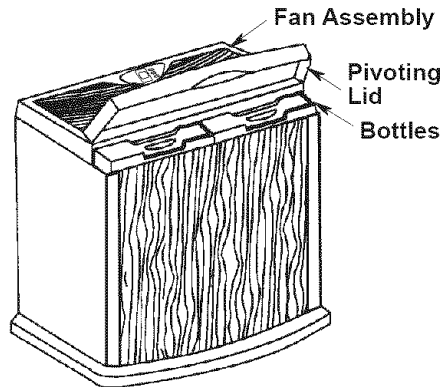
WARNING: To reduce the risk of shock, always unplug humidifier before cleaning or servicing.

WARNING: To reduce the risk of fire or shock hazard, do not pour or spill water into control or motor area. If controls get wet, let them dry completely and have unit checked by authorized service personnel before plugging in.

This humidifier is designed for use with the two water bottles that are located under the pivoting lid.

Open the pivoting lid of the humidifier. Remove the water bottles by lifting them straight up and out of the cabinet.

Notice the water bottles are designed as right and left hand units. Position them in the correct location so the humidifier can function properly. The water bottles should rest in the front of the cabinet. Each "E-Z-Fill Side-Cap" must be facing the rear of the unit.



Water Fill (continued)

Each water bottle is designed with an "E-Z-Fill Side-Cap" that is easily removable. Remove the "E-Z-Fill Side-Cap" on the side of the water bottle by twisting counterclockwise.

Place the opening of the water bottle under a water faucet (the bottle should fit under a four-inch clearance faucet). Fill with recommended mixture of cold water and Sears Bacteriostat #32-14900 (if necessary) only. Solid debris could make the valve leak.

Install the "E-Z-Fill Side-Cap" by twisting clockwise. Hand tighten only.

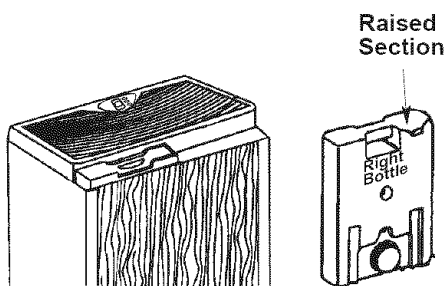
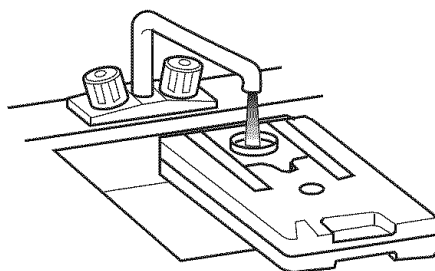
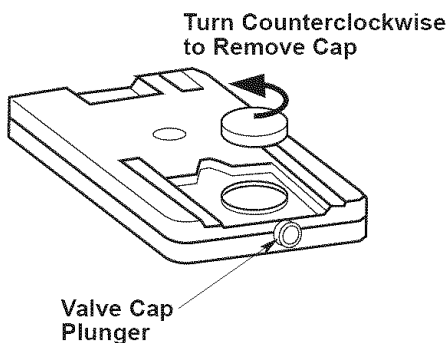
Check for possible leaks by performing the following:

1. Grasp bottle handle and hold the bottle upright over a sink.
2. Press up on the valve cap plunger for about one second to let out a little water.
3. Release the plunger.
4. Listen for air bubbles. Look for leaks around the "E-Z-Fill Side-Cap".
5. If you hear air bubbles or see leaks, retighten the "E-Z-Fill Side-Cap" and repeat Steps 1-4.

Wipe off excess water from the bottle.

Position the water bottle back into the unit by grasping the water bottle handle and lower it into the cabinet until the bottle sits on pads at bottom of cabinet. The "E-Z-Fill Side-Cap" must be facing the rear of the cabinet. When positioned properly, the plunger will open and water will flow into the cabinet. The water level will automatically remain at approximately 1/2" until the bottles are empty.

Allow the filter to saturate for 30 minutes before operation.



Operating the Controls

Where you set your desired humidity levels depends on your personal comfort level, outside temperature and inside temperature. A starting set point of 30% - 40% **ROOM** humidity is recommended but there may be conditions that require a different setting.


IMPORTANT: Water damage may result if condensation starts to form on windows or walls. Humidity **SET** point should be lowered until condensation no longer forms. We recommend room humidity levels do not exceed 50%.

When Outdoor Temperature is:		Recommended Indoor Relative Humidity is:
-10° F	-24° C	20%
2° F	-18° C	25%
10° F	-12° C	30%
20° F*	-6° C*	35%

* and above

To Operate the Controls

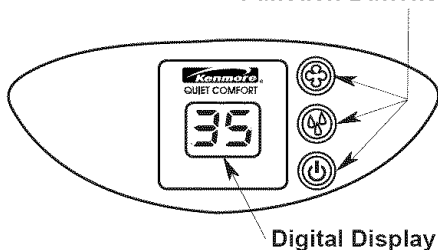
Digital Display

Press the power/speed button once to turn the unit on* . Initially there is a slight delay while the electronics calibrate. Two bars (- -) appear during this time. Once calibration is complete a **ROOM** humidity reading between 20% - 95% will be displayed. A flashing 20 display indicates that the room humidity is less than 20%.

NOTE: The default settings at initial startup are **(WHISPER) F1** fan speed and **65% SET** humidity. After desired settings are selected by the user, they remain as long as the unit remains plugged in and there is no power interruption. If the unit is unplugged the **original** default settings are employed.

* Humidifier fan should operate at initial start up. If it does not, refer to, "Fan not operating (digital display is illuminated)" in the "Trouble Shooting" section on page 14.

Function Buttons

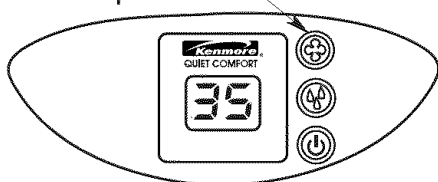


Speed Button

This humidifier is equipped with a 3-speed fan control. Initially depressing the speed button will display the current speed setting. Each push of the speed button advances the mode through the settings of **(HIGH) F3**, **(MEDIUM) F2**, **(WHISPER) F1** and **(AUTO) A**.

The selected setting is displayed on the digital readout. The higher the setting, the faster water is evaporated and released into the air. **F1 (WHISPER)** is the quietest setting and is provided for conditions that do not require a rapid evaporation rate. When **(AUTO) A** is selected the humidifier will determine the required fan speed needed to bring the actual room humidity up to the set humidity.

Speed Button



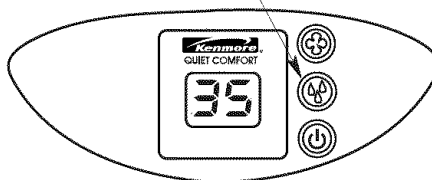
Humidity Control

This button allows you to adjust the humidity to suit your needs. This humidifier will automatically cycle on and off as required to maintain the selected setting. The readout displays both actual **(ROOM)** and desired **(SET)** humidity percentage (%) settings when humidity control button is pressed. The **ROOM** readout has a range of 20% to 95%. If the room humidity level is equal to or less than 20% the display will show a flashing 20.

Operating the Controls (continued)

The **SET** readout has a range of 25% to 65% and is adjusted in increments of 5%. Initially depressing the humidity button will display the current humidity setting. Each additional press of the button increases the setting by 5%. A **SET** point of 65% operates the humidifier continuously regardless of the **ROOM** reading. The humidistat that senses the readings is located on the power cord. Insure that this humidistat is free from obstruction.

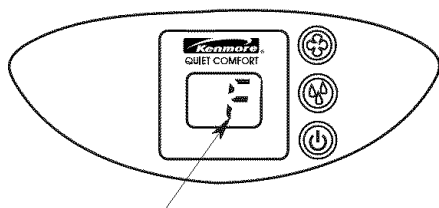
Humidity Button



Using Your Humidifier

Refill Display and Auto Dry Out Function

For maximum run time both bottles should be filled. When both bottles are empty the display alternates the room humidity reading and "**F**" (**FILL**), informing additional water is required. Also at this time the unit will automatically switch into **AUTO DRY OUT MODE** and continue to run on the lowest speed until the filter is dry.



Refill/Auto Dry Out Mode Display

NOTE: During this time the room humidity level will continue to be monitored and the humidifier will cycle the fan on and off until the filter is completely dry. The fan will shut off leaving you with a dry humidifier that is less prone to mold and mildew growth. If **AUTO DRY OUT MODE** is not desired, refill the humidifier with water and the fan will return to the set speed.

NOTE: Fan automatically switches to lowest speed during **AUTO DRY OUT MODE**.

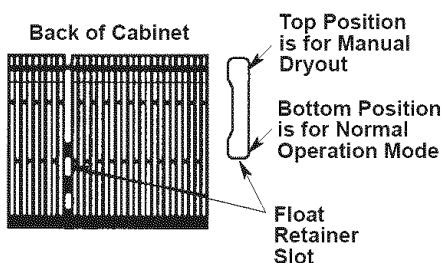
Manual Dry Out

At the end of the humidification season or if you do not plan to run the humidifier for one week or more, a manual dry out mechanism is provided to completely dry out the humidifier cabinet.

To do this, simply slide the float retainer located at the back of the humidifier cabinet to the top position of the slot it is located in. This will hold the float in an upward position and the fan will run until you turn the power off.

NOTE: Be sure to position float retainer to the normal operating mode (lowest position in slot) for normal humidifier operation.

Below is a diagram of the slot the float retainer is located in, at the back of the cabinet.



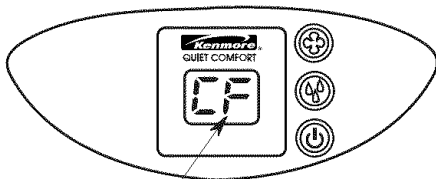
Using Your Humidifier (continued)

Check Filter Indicator

The ability of any humidifier to efficiently supply humidity output relies heavily on the condition of the filter. As the filter loads with impurities it gradually loses its wicking capability. When this happens, moisture output is reduced and the humidifier has to work longer to satisfy the selected setting. This humidifier has a check filter reminder timed to appear after 720 hours of motor operation. When the display shows an alternating “CF” and “room humidity” setting at 5 second intervals it is a reminder to check the filter condition.

NOTE: Some areas have high water mineral content causing the need for more frequent filter changes.

Refer to “Replacement and Care of Filter” on page 11. If a build-up of deposits or severe discoloration is evident replace the filter to restore maximum efficiency.



Check Filter Display

Humidistat

The humidistat located on the power cord senses the percentage of humidity in the air. It causes the humidifier to cycle on and off to maintain the selected humidity **SET** point. The fan will turn on if the “**ROOM**” reading falls 3% below the **SET** point and will continue to run the humidifier until a reading of 1% above the **SET** point is achieved. The fan will turn off until the **ROOM** reading falls 3% below the **SET** point again.

Control Lock Out

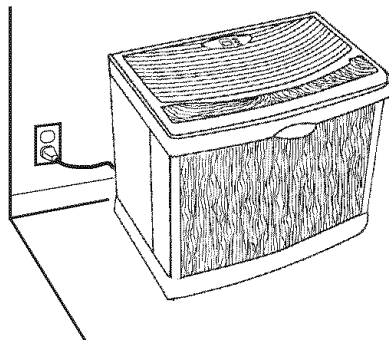
To avoid unwanted tampering with the humidifier settings the controls can be locked.

Activation Procedure

After the humidifier functions have been set up, press and hold the power button down for 5 seconds. The display will show “**CL**” for 5 seconds; release the power button and the control will resume the display of the room humidity. The humidifier will continue to function with the locked in settings. If buttons are operated while “**CL**” is active, the “**CL**” is displayed and settings are unaffected.

Deactivation Procedure

To deactivate the “**CL**” function simply press and hold the power button for 5 seconds. “**CL**” will flash and then resume the display of room humidity.



NOTE: Be sure humidistat, which is located on the power cord, is free from obstructions and is away from any hot air source.

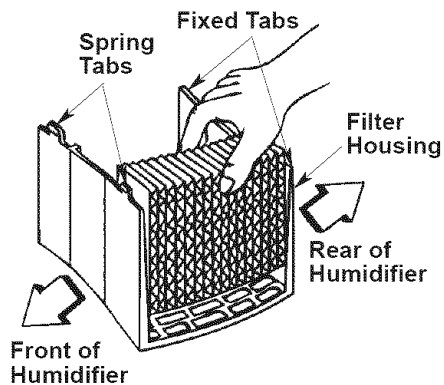
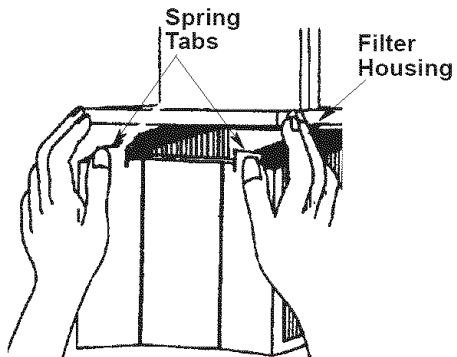
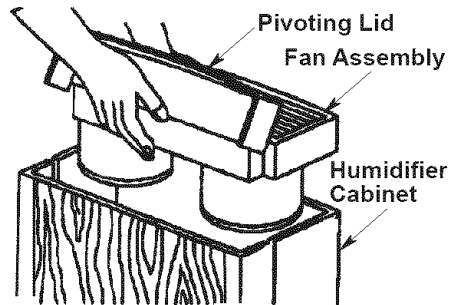
Replacement and Care of Filters

WARNING: To reduce the risk of shock or injury from moving parts, always unplug humidifier before removing or replacing any parts.

CAUTION: To help retard bacteria growth and keep maximum efficiency, the filter should be replaced at least once per season, or more often under hard water conditions. Use Kenmore 32-14911 recommended replacement filter.

The filters may be rinsed periodically in clear water only. Take care not to damage paper. To replace evaporative wicking filters in your humidifier, follow these instructions.

1. Unplug humidifier before removing the filters. We recommend moving the humidifier to an area where floor coverings are not susceptible to water damage, i.e. kitchen or bath areas.
2. Open the pivoting lid and remove water bottles and set aside. Grasp the fan assembly front center and rear center. Lift off and set aside on a clean flat surface. The filter housings are now accessible.
3. Lift filter housing out of cabinet and place where you may work on them comfortably. With a soft, absorbent cloth remove any remaining water or loose mineral deposits not trapped in the filter from the humidifier cabinet.
4. To open filter housing for easy access to filters:
 - a. Deflect the two spring tabs on top of filter housing. Lift top cover off of the filter housing and set aside.
 - b. Remove the two filters and dispose of properly. Clean internal parts of humidifier per the "Cleaning and Maintenance" section (page 12) of your operator's manual.



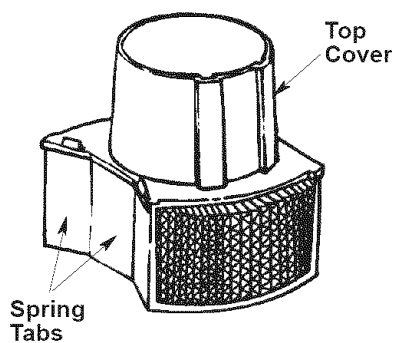
- c. Install new filters in the filter housing track with the glue beads of the wicking pad to the inside of the filter housing.
- d. Return the top cover of the filter housing by installing cover over the fixed tabs on the rear of the lower filter housing and pivoting the cover down over the top of the filters. Snap the cover over the two spring tabs.

Replacement and Care of Filters (cont'd.)

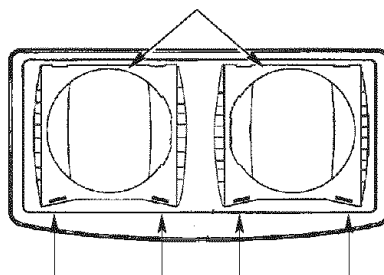
- e. Replace the filter housing in the cabinet.

NOTE: There is a front and back orientation. To position the filter housings correctly:

- Be sure that the spring tabs of filter housings are towards front of cabinet.
 - Align the lower portion of the filter assembly over the six ribs located at the bottom rear of the humidifier cabinet.
- f. Position fan assembly onto the cabinet. Make sure the fan venturi (lowest cylinder section below the fan) is placed inside the filter housing.
- g. Replace water bottles.
- h. Close the pivoting lid.
- i. The unit is ready for use or to be stored away for next season.



Flat Portion of Filter Housing Towards Back of Cabinet



Spring Tabs Towards Front of Cabinet
Step 4e

Cleaning and Maintenance

WARNING: To reduce the risk of injury, fire or damage to humidifier, use only cleaners specifically recommended for humidifiers. Never use flammable, combustible or poisonous materials to clean your humidifier. To reduce the risk of scalds and damage to humidifier, never put hot water in humidifier.

CAUTION: Local water purity varies from area to area and under certain conditions water impurities and airborne bacteria may promote the growth of microorganisms in the reservoir of the humidifier.

To retard bacteria growth that may cause odors and be harmful to your health, use only Kenmore replacement filters. We also recommend using EPA approved bacteriostat, 32-14900 and humidifier cleaner, 32-14713, available at your local Sears store.

NOTE: If it is necessary to use approved bacteriostat, follow directions correctly. The bottles of the whole house humidifier will hold 2-3/8 gallons of water each.

Step 1:

To make cleaning easier, the humidifier cabinet should be empty and completely dried out. To accomplish this, use the following method:

- a. On the back side of the humidifier cabinet, find the float retainer. In normal operating mode, the retainer will be positioned in the bottom of the slot in the cabinet. Push the retainer up to the top slot position in the cabinet until it locks in place. (See "Manual Dryout" section on page 9.)
- b. Allow the humidifier to run until there is no water left in the cabinet.
- c. Unplug humidifier.

Cleaning and Maintenance (cont'd.)

WARNING: To reduce the risk of shock, always unplug humidifier before cleaning or servicing. If humidifier is not unplugged, fan could start after housing is removed.

Step 2:

To Remove Parts

- Open the pivoting lid and remove water bottles and set aside. Grasp the fan assembly front center and rear center. Lift off and set aside on a clean flat surface. The filter housings are now accessible.
- Before removing the internal parts of the humidifier cabinet, we recommend moving the humidifier to an area where floor covers are not susceptible to water damage, i.e.; kitchen or bath area. Lift the filter housing assemblies out of the cabinet and set to the side.
- Remove the water level float from the humidifier cabinet by pinching the float retainer to release it from the cabinet. The cabinet should be empty before cleaning. The cabinet consists of the lower areas of the humidifier where the filters are during normal operation time.
- Empty cabinet of any remaining water.
- Proceed to "Bi-Weekly Maintenance" or "End of Season Maintenance".
- Remove old filters and dispose of properly as described on pages 11-12.

Step 3:

Install new filters (purchase the correct evaporative wicking filter pads 32-14911 for your humidifier) into the location where the old filters were positioned. Install the filter housings with the new filters into the correct location. Reinstall the water level float.

NOTE: Float retainer should be positioned in normal operating mode. Assure that it is positioned in the bottom of the slot in the back of the cabinet (See page 9 for diagram of slot).

Position the fan assembly on top of the cabinet and return the humidifier to the desired location for use.

Refill humidifier bottles with fresh cool water and return them to the cabinet. Plug the unit into a 120 volt A.C. power outlet and set the controls per the "Operating Humidifier Controls" section (page 8) of this manual.

Bi-Weekly Maintenance

Removing Scale

- Fill the reservoir with water and add one 8 oz. cup of undiluted white vinegar. Let solution stay for 20 minutes.
- Clean all interior surfaces with soft brush. Dampen soft cloth with undiluted white vinegar and wipe out reservoir to remove scale.
- Rinse thoroughly with clean warm water to remove scale and cleaning solution before disinfecting the reservoir.

Disinfecting Humidifier Cabinet and Water Bottles

- Fill humidifier cabinet with 1 teaspoon chlorine bleach in 1 gallon of water. Let solution stay for 20 minutes, carefully swishing every few minutes. Wet all surfaces normally exposed to water.
- Empty humidifier cabinet after 20 minutes. Rinse with water until bleach smell is gone. Allow unit to dry out completely.
- Water bottles should be cleaned in the same manner.

End of Season Maintenance

- Follow "Bi-Weekly Maintenance" instructions at end of humidification season.
- Remove and throw away filters.
- Let humidifier dry completely before storing. Do not store with water inside cabinet or water bottles.
- Store in cool, dry location.
- Install a new filters in clean humidifier before next season begins.
- "Bi-Weekly Maintenance" procedure is also recommended if you do not plan to run the humidifier for one week or more.

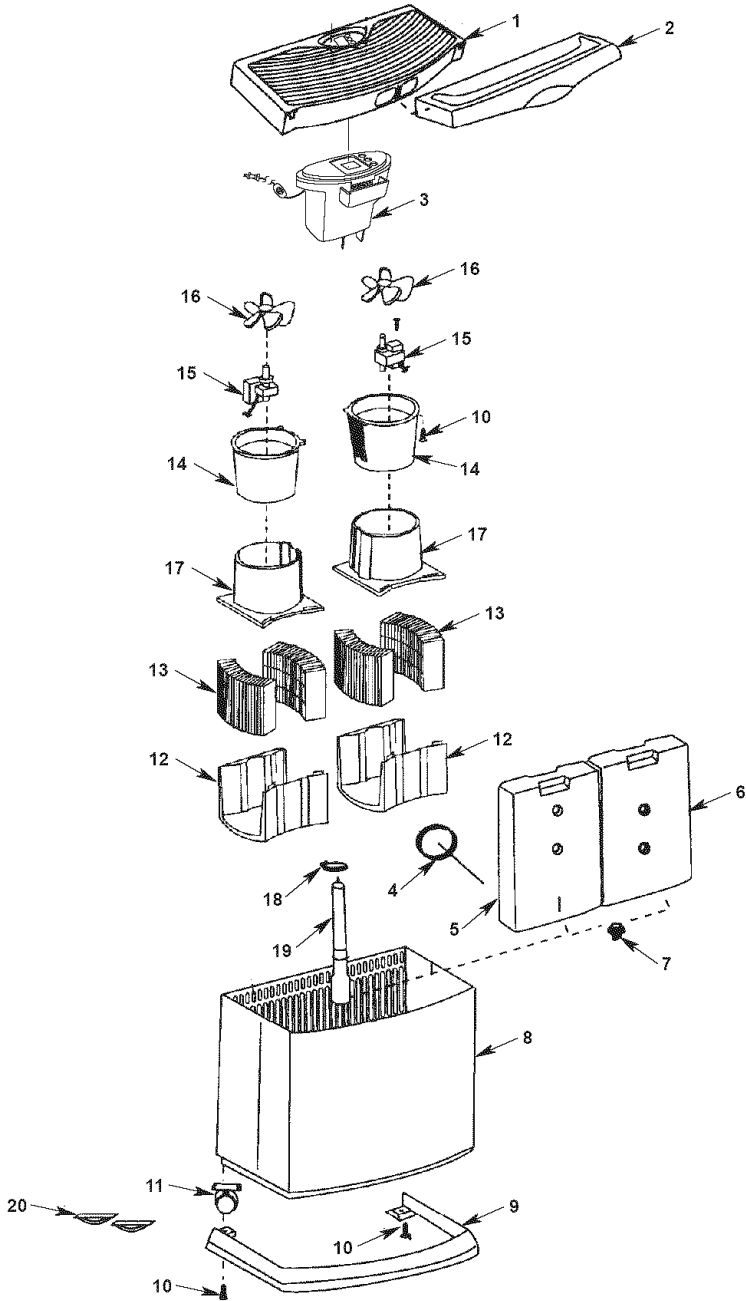
Troubleshooting

Trouble	Probable Cause	Remedy
Digital display not illuminated.	<ul style="list-style-type: none"> No Power. Power button has not been depressed. 	<ul style="list-style-type: none"> Check 120 volt power source. Press power button once to turn on.
Fan not operating (digital display is illuminated).	<ul style="list-style-type: none"> ROOM humidity level is not 3% or more below SET humidity level. Reservoir is empty. 	<ul style="list-style-type: none"> Raise SET humidity level if desired. Increase fan speed. Fill humidifier with water.
Fan running continuously, unit will not shut off.	<ul style="list-style-type: none"> Float is obstructed. SET humidity level is 65%. ROOM humidity level has not reached 1% or more above SET humidity level. 	<ul style="list-style-type: none"> Free float from obstruction. A SET humidity percentage of 65% operates fan continuously. Adjust SET level between 25% - 60%. Continue to run until desired humidity level is achieved. This may take up to 48 hours initially.
Poor evaporation of water.	<ul style="list-style-type: none"> Check filter message "CF" is flashing. Mineral buildup on filter. 	<ul style="list-style-type: none"> Change to a fresh new filter. NOTE: Local water purity varies from area to area.
Neither bottle emptying.	<ul style="list-style-type: none"> Bottle cap plunger missing post in bottom of cabinet. Dirty filters. 	<ul style="list-style-type: none"> Check orientation of bottles. Reposition so that bottle cap plunger (stem) is depressed by post in bottom of cabinet. Change to fresh new filters (32-14911).
Bottles continues to empty.	<ul style="list-style-type: none"> Air is entering water bottle. 	<ul style="list-style-type: none"> Check "E-Z-Fill Side-Caps" and valve assembly caps to ensure tightness. Check for leak in water bottle. Ensure gaskets for "E-Z-Fill Side-Caps" are in place.
Left bottle not emptying.	<ul style="list-style-type: none"> Right bottle contains water. 	<ul style="list-style-type: none"> The humidifier is designed so that right bottle empties first.
Refill display "F" is on before bottles are empty.	<ul style="list-style-type: none"> Unit is not set up on a level surface. (Float will not sense water at the front of the cabinet.) 	<ul style="list-style-type: none"> Position unit level. (Some carpet padding may allow unit to sit lower in the front than rear with the additional weight of water bottles in the front of the cabinet. Install caster pads under front casters (see page 5).
Display blinks or fan moves slightly when humidifier is plugged in.	<ul style="list-style-type: none"> Normal. 	<ul style="list-style-type: none"> No action required.
Fan operating slower than speed registered on digital display.	<ul style="list-style-type: none"> Humidifier is in "Dry Out Mode" 	<ul style="list-style-type: none"> Humidifier automatically switches fan to (WHISPER) F1 when "F" is flashing.
Humidifier not shutting off during "Dry Out Mode".	<ul style="list-style-type: none"> Filter not dry. 	<ul style="list-style-type: none"> During "Dry Out Mode", the humidifier will continue to run on (WHISPER) F1 speed as required for up to 2 hours.
Alternating "F" and room humidity displayed.	<ul style="list-style-type: none"> Reservoir is empty. 	<ul style="list-style-type: none"> Fill humidifier with water.
Alternating "CF" and room humidity displayed.	<ul style="list-style-type: none"> Filter may be dirty. 	<ul style="list-style-type: none"> Replace filter.

CAUTION: Use only 32-14900 EPA Registered Bacteriostat available from Sears Retail store. Use of other water treatment products may damage the filter elements. Under no circumstances should you use water treatment products designed for Roto belt or Ultrasonic humidifiers.

Repair Parts

Parts List for Kenmore Humidifier Model No. 758.154200



Repair Parts

Parts List for Kenmore Humidifier Model No. 758.154200

Always order by part number - Not by key number

Key No	Part No.	Description
1	828741-2	Lid, Stationary
2	828855-1	Lid, Pivoting
3	831680	Control Assembly
4	824690	"E-Z-Fill Side-Cap"
5	828192	Bottle, Left (Includes Key Nos. 4 & 7)
6	828726	Bottle, Right (Includes Key Nos. 4 & 7)
7	509229-1	Cap, Valve Assembly
8	828199-9	Cabinet
9	823726	Rail, Kick
10	STD601107	*Screw, Pan Hd. Ty "AB" #10 x 3/4
11	828515	Caster, Twin Wheel
12	830560-1	Support, Filter Lower
13	32-14911	†Filter, Evaporative
14	828534	Support, Motor
15	828115-1	Motor
16	822406-1	Fan
17	828197	Support, Upper Filter
18	824101	Retainer, Float
19	828200-3	Float, Water Level
20	828920	Pad, Caster (Two)
—	SP6644	Operator's Manual (not illustrated)

NOTE: Any attempt to repair the control assembly or motor may create a hazard unless repair is done by a qualified service technician. Repair service is available at your nearest Sears store.

* Standard Hardware Item - May be purchased locally

† Stock item - May be secured through the Hardware Department of most Sears retail stores.

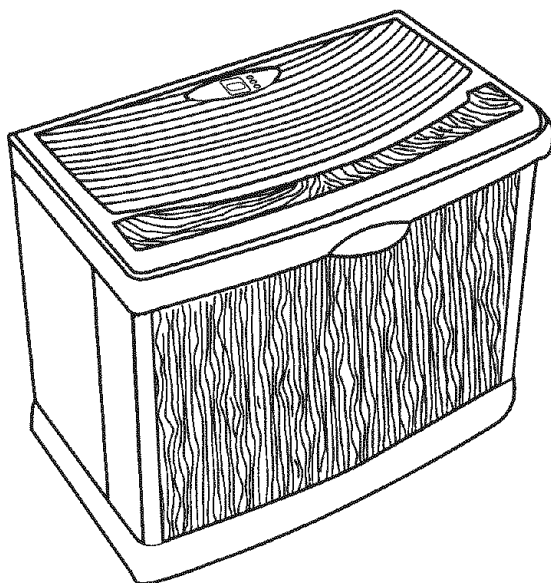
LEA Y GUARDE ESTAS INSTRUCCIONES

Manual del usuario



HUMIDIFICADOR PARA TODA LA CASA

Producción de 14 galones con
tecnología innovadora de ventiladores gemelos
Modelo 758.154200



PRECAUCIÓN: Antes de utilizar este producto, lea este manual y siga todas las normas de seguridad e instrucciones de utilización.

- Seguridad
- Ensamblaje
- Utilización
- Mantenimiento
- Piezas

Sears, Roebuck and Co., Hoffman Estates, IL 60179 U.S.A.
www.sears.com

GARANTÍA COMPLETA DE UN AÑO PARA EL HUMIDIFICADOR KENMORE

Si cualquier pieza de este humidificador falla debido a un defecto de material o de fabricación dentro del plazo de un año a partir de la fecha de compra, o si el motor del humidificador falla debido a un defecto de material o de fabricación durante el segundo año a partir de la fecha de compra, DEVUELVA EL HUMIDIFICADOR AL CENTRO DE PIEZAS Y REPARACIÓN DE SEARS MÁS CERCANO y será reparado sin ningún cargo. Esta garantía no incluye los filtros del humidificador, que son piezas perecederas que se pueden desgastar por causa del uso normal en menos de un año. Esta garantía le confiere a usted derechos legales específicos y es posible que usted también tenga otros derechos que varían de un estado a otro.

Sears, Roebuck and Co., Dept. 817WA, Hoffman Estates, IL 60179

INSTRUCCIONES GENERALES DE SEGURIDAD

Palabras de señal de seguridad

PELIGRO: Significa que si no se sigue la información de seguridad, alguien **resultará** lesionado gravemente o morirá.

ADVERTENCIA: Significa que si no se sigue la información de seguridad, alguien **podría** resultar lesionado gravemente o morir.

PRECAUCIÓN: Significa que si no se sigue la información de seguridad, alguien **podría** resultar lesionado.

1. Para reducir el riesgo de peligro de incendio o descargas eléctricas, enchufe el humidificador directamente en un tomacorriente de 120 V C.A. No use cordones de extensión.
2. Mantenga el cable eléctrico alejado de las zonas de tráfico. Para reducir el riesgo de peligro de incendio, no ponga nunca el cordón eléctrico debajo de alfombras ni cerca de salidas de calor, radiadores de calor, estufas de cocina o calentadores.
3. Desenchufe siempre el humidificador antes de trasladarlo, antes de limpiarlo o siempre que no esté en servicio.
4. Mantenga limpio el humidificador.

5. No ponga objetos extraños dentro del humidificador.
6. No deje que el humidificador se use como un juguete. Es necesario prestar mucha atención cuando el humidificador sea usado por niños o cerca de ellos.
7. No utilice nunca el humidificador mientras alguna pieza falte o esté dañada de cualquier manera.
8. Para reducir el riesgo de peligro eléctrico o daños al humidificador, no incline, sacuda ni vuelque el humidificador mientras la unidad esté en marcha.
9. Para reducir el riesgo de daños al humidificador, desenchúfelo cuando no esté en uso.
10. Para reducir el riesgo de descargas eléctricas accidentales, no toque el cable de alimentación ni los controles con las manos mojadas.
11. Fíjese en la etiqueta de advertencia que se muestra a continuación.

ADVERTENCIA: Para reducir el riesgo de incendio, descargas eléctricas o lesiones, desenchufe siempre el humidificador antes de hacerle servicio de ajustes y reparaciones o limpiarlo.

Índice

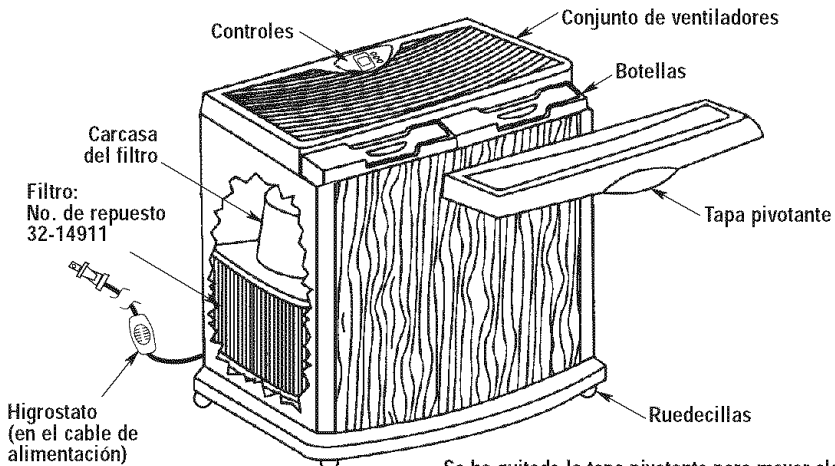
Información de garantía	18	Conexión eléctrica	22
Instrucciones generales de seguridad	18	Llenado con agua	22-23
Para ahorrarse una llamada de servicio	19	Utilización de los controles	
Familiarícese con el humidificador	19	del humidificador	24-25
Cómo funciona el humidificador	20	Utilización del humidificador	25-26
Ensamblaje.....	20	Reemplazo y cuidado de los filtros	27-28
Instrucciones de ubicación	21	Limpieza y mantenimiento	28-29
Consejos de utilización para lograr		Resolución de problemas	30
el mejor rendimiento.....	21	Piezas de repuesto	31-32

Para ahorrarse una llamada de servicio

Compruebe lo siguiente si el humidificador no funciona.

1. ¿Está el cable de alimentación conectado a un tomacorriente?
2. ¿Hay alimentación eléctrica al tomacorriente?
3. ¿Está el control del flujo de aire en la posición de funcionamiento?
4. ¿Está el control de humedad ajustado a un nivel lo suficientemente alto?
5. ¿Está el gabinete ubicado sobre una superficie nivelada?

Familiarícese con el humidificador



Descripción	758.154200
* Producción en galones /24 h	14
Capacidad de las botellas	2-3/8 galones cada una
* Cobertura en pies cuadrados	2900
Velocidades del ventilador	3
Velocidad del ventilador automática	Si
Filtros de repuesto	Juego de 4 (32-14911)
Indicador de llenado	Si
Apagado automático	Si
Higrostat automático	Si
Controles	Electrónicos (botón pulsador)
Bloqueo de los controles	Si
Ruedecillas	Si
Catalogado por UL	Si
Voltaje	120 V C.A.
Frecuencia	60 Hz
Intensidad	2,88 A
Potencia	165 W

* Basada en una zona con aislamiento promedio y una altura de habitación de 2,44 m (8 pies).
ANSI/AHAM HU-1-1997, SEC. 8.1, los resultados pueden variar.

Cómo funciona el humidificador

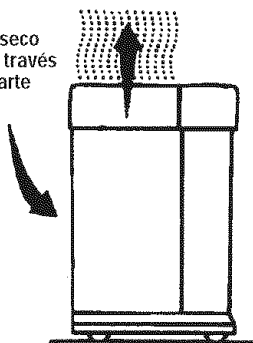
Su nuevo humidificador Kenmore está diseñado para satisfacer los requisitos de humedad del hogar a través del principio de la evaporación del agua en el aire.

Después de añadir agua a la botella, los filtros comienzan a absorber el agua y se saturan totalmente en aproximadamente 30 minutos. Se hace entrar aire de la parte trasera del humidificador y a través de los filtros por medio de los ventiladores de circulación. A medida que el aire pasa a través de los filtros, absorbe humedad, la cual se libera a continuación en forma de vapor. No entrarán gotitas de agua en la casa. Toda la evaporación al aire tiene lugar en el humidificador, lo cual significa que los residuos dejados por el agua que se evapora no se pasan a la casa, sino que permanecen en el filtro.

PRECAUCIÓN: Utilice únicamente un bacteriostato registrado por EPA 32-14900, el cual se puede obtener en una tienda minorista Sears. En ninguna circunstancia debe usted usar productos de tratamiento de agua diseñados para humidificadores de rotocorrea o ultrasónicos.

Luego, se expulsa aire humidificado a través de la parte superior

El aire seco entra a través de la parte trasera



PRECAUCIÓN: Para reducir el riesgo de lesiones, incendio o daños al humidificador, utilice únicamente limpiadores recomendados específicamente para humidificadores. No utilice nunca materiales inflamables, combustibles o tóxicos para limpiar el humidificador.

Para reducir el riesgo de escaldaduras y daños al humidificador, no ponga nunca agua caliente en el humidificador.

Ensamblaje

Su nuevo humidificador Sears Kenmore está ensamblado completamente para que usted lo use. Saque el paquete de bolsa que contiene dos almohadillas para ruedecilla de plástico, situado en la parte de arriba del humidificador, y reténgalo para uso futuro, en caso de que sea necesario. Consulte el Paso 1 que aparece más adelante para obtener instrucciones.

NOTA: Saque el material de empaquetamiento del interior del humidificador y siga las instrucciones contenidas en este manual del usuario para utilizar correctamente el humidificador. El material de empaquetamiento está ubicado debajo del conjunto de ventiladores. Saque el material de empaquetamiento y deséchelo.

Instrucciones de ubicación

ADVERTENCIA: Para su propia seguridad, no utilice el humidificador si alguna pieza está dañada o falta.

Paso 1:

Coloque el humidificador en una superficie plana y nivelada, en un área de su casa donde más se necesite la humedad o en un área en la que probablemente se hará circular aire húmedo por toda la casa, como por ejemplo cerca de un retorno de aire frío.

La colocación de la unidad de modo que esté nivelada es muy importante si el humidificador está ubicado sobre una alfombra.

NOTA: El humidificador de 14 galones contiene botellas de agua. El peso de las botellas en la parte delantera del gabinete puede hacer que las ruedecillas delanteras se hundan más profundamente en la alfombra. Si esto sucede, el nivel de agua será más alto hacia la parte delantera del humidificador y más bajo hacia la parte trasera. Es posible que el flotador del nivel de agua (ubicado en la parte trasera del gabinete) no detecte el agua, por lo que se mostrará una "F" parpadeante y la unidad no se activará. Si esto sucede, será necesario nivelar la unidad para que el humidificador se active. Para nivelar el humidificador cuando esté ubicado sobre una alfombra, coloque las almohadillas para ruedecilla incluidas debajo de las dos ruedecillas delanteras del humidificador solamente.

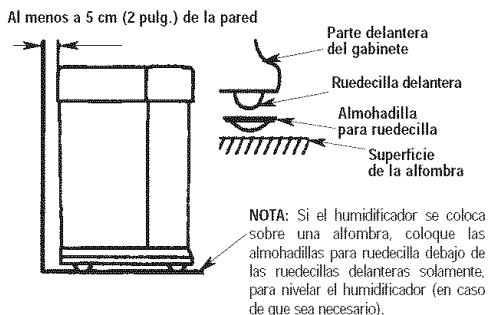
NOTA: Debido a que el humidificador expulsa aire frío y húmedo, lo mejor es dirigir el aire alejándolo del termostato de la casa y las salidas de

aire caliente. Lo mejor es posicionar el humidificador junto a una pared interior. Las salidas de aire caliente y el aire frío procedente de las paredes exteriores pueden afectar las eficiencias de los controles. La unidad no se debe colocar en lugares donde el aire templado de una salida de aire caliente sople directamente hacia ella.

El aire húmedo (la humedad) que se produce se dispersará por toda la casa, pero el área más próxima a la unidad tendrá la humedad más alta. Si la unidad está posicionada cerca de una ventana, es posible que se forme condensación en el vidrio de la ventana. Si esto no es apropiado, se debe reposicionar la unidad en otra ubicación.

Paso 2:

El humidificador se debe posicionar con la parte trasera (el lado de salida del cable de alimentación) al menos a 2 pulgadas (5 cm) de la pared. Es necesario que entre aire a través de las rejillas ubicadas en el panel trasero para que el humidificador funcione con la máxima eficiencia.



Consejos de utilización para lograr el mejor rendimiento

1. Posicione el humidificador al menos a 2 pulgadas (5 cm) de cualquier pared y alejado de todas las salidas de calor.
2. No restrinja la entrada ni la salida del flujo de aire del humidificador.
3. Use el bacteriostato Sears 32-14900 recomendado para retardar el crecimiento de bacterias que podrían causar olores y podrían ser perjudiciales para su salud.
4. Limpie regularmente el humidificador siguiendo las instrucciones de la sección "Limpieza y mantenimiento" de este manual.
5. Reemplace los filtros de mecha evaporativos al menos una vez por temporada de humidificación o más, dependiendo de las condiciones del agua de su zona.

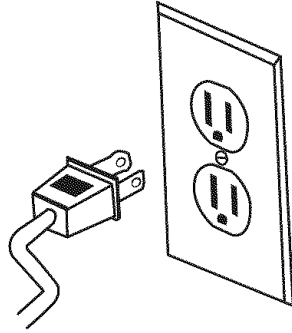
Conexión eléctrica

Localice el tomacorriente de pared de 120 V C.A. más cercano en la ubicación deseada, preferiblemente en una pared interior. Con el humidificador en la ubicación deseada, dirija el cordón eléctrico de modo seguro para que nadie tropiece con él ni desajuste el humidificador. Enchufe el cordón eléctrico.

ADVERTENCIA: Para reducir el riesgo de peligro de incendio o descargas eléctricas, el humidificador debe enchufarse en un tomacorriente de 120 V C.A. No utilice cordones de extensión.

Para reducir el riesgo de descargas eléctricas, este humidificador tiene un enchufe polarizado (un terminal es más ancho que el otro). Este enchufe entrará de un solo modo en un tomacorriente polarizado.

Si el enchufe no entra completamente en el tomacorriente, invierta el enchufe. Si sigue sin entrar, póngase en contacto con un electricista calificado para que instale el tomacorriente apropiado. No cambie el enchufe de ningún modo.



Llenado con agua

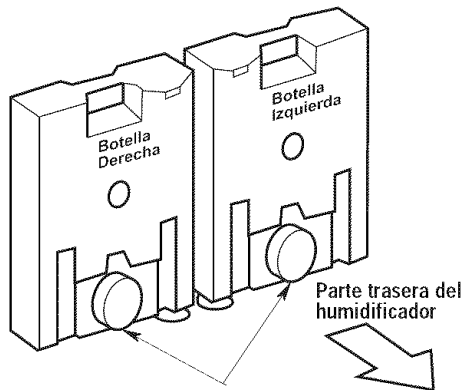
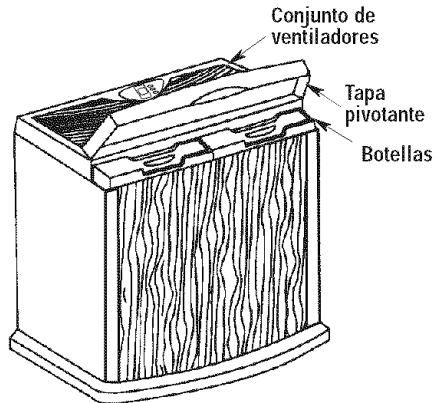
ADVERTENCIA: Para reducir el riesgo de descargas eléctricas, desenchufe siempre el humidificador antes de limpiarlo o hacerle servicio de ajustes y reparaciones.

ADVERTENCIA: Para reducir el riesgo de peligro de incendio o descargas eléctricas, no eche ni derrame agua en el área de los controles o del motor. Si los controles se mojan, deje que se sequen completamente y haga que la unidad sea revisada por personal de servicio autorizado antes de enchufarla.

Este humidificador está diseñado para utilizarse con dos botellas de agua que están ubicadas debajo de la tapa pivotante.

Levante la tapa pivotante para abrir el humidificador. Saque las botellas de agua levantándolas directamente hacia arriba y hacia fuera del gabinete.

Observe que las botellas de agua están diseñadas como unidades derecha e izquierda. Posiciónelas en la ubicación correcta para que el humidificador pueda funcionar adecuadamente. Las botellas de agua deben descansar en la parte delantera del gabinete. Cada "tapa lateral de llenado fácil" debe estar orientada hacia la parte trasera de la unidad.



La "tapa lateral de llenado fácil" debe estar orientada siempre hacia atrás

Llenado con agua (continuación)

Cada botella de agua está diseñada con una "tapa lateral de llenado fácil" que se quita fácilmente. Quite la "tapa lateral de llenado fácil" ubicada en el lado de la botella de agua girándola en sentido contrario al de las agujas del reloj.

Coloque la abertura de la botella de agua debajo de una llave de agua (la botella debería caber debajo de una llave de agua que tenga un margen de altura de cuatro pulgadas [10 cm]). Llene la botella con la mezcla recomendada de agua fría y bacteriostato Sears No. 32-14900 (si es necesario) solamente. Los residuos sólidos podrían causar escapes en la válvula.

Instale la "tapa lateral de llenado fácil" girándola en el sentido de las agujas del reloj. Apriétela solamente con la mano.

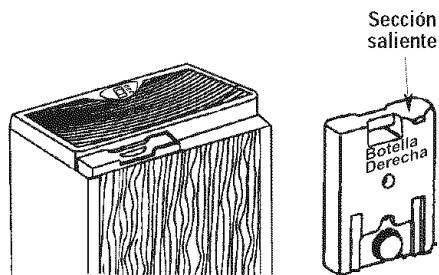
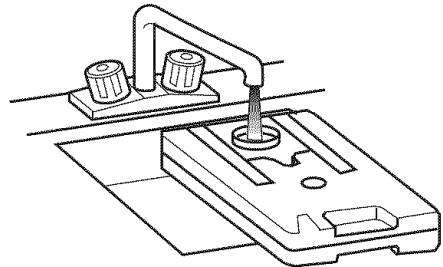
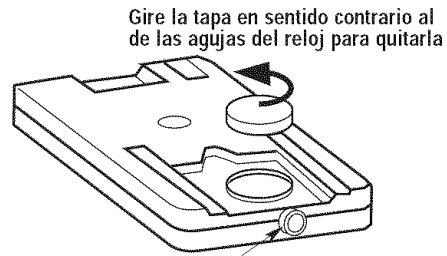
Compruebe si hay posibles escapes haciendo lo siguiente:

1. Agarre el asa de la botella y sostenga la botella en posición vertical sobre un fregadero.
2. Presione hacia arriba sobre el émbolo de la tapa de la válvula durante aproximadamente un segundo para dejar que salga un poco de agua.
3. Suelte el émbolo.
4. Escuche si están escapando burbujas de aire. Busque escapes alrededor de la "tapa lateral de llenado fácil".
5. Si oye burbujas de agua o ve escapes, reapriete la "tapa lateral de llenado fácil" y repita los Pasos 1-4.

Limpie la botella para quitar el exceso de agua.

Posicione la botella de agua de vuelta en la unidad, agarrando el asa de la botella y bajando la botella al interior del gabinete hasta que esté asentada sobre las almohadillas ubicadas en el fondo del gabinete. La "tapa lateral de llenado fácil" debe estar orientada hacia la parte trasera del gabinete. Cuando esté posicionada correctamente, el émbolo se abrirá y el agua fluirá al interior del gabinete. El nivel de agua permanecerá automáticamente en aproximadamente 1/2" (13 mm) hasta que las botellas estén vacías.

Deje que el filtro se sature durante 30 minutos antes de utilizar la unidad.



Se ha quitado la tapa pivotante para mayor claridad

Utilización de los controles

El punto en el que usted ajuste los niveles de humedad deseados depende de su nivel de confort personal, la temperatura exterior y la temperatura interior. Se recomienda un punto de ajuste inicial de humedad **AMBIENTE** del 30 al 40 por ciento, pero puede haber situaciones que requieran un ajuste distinto.

IMPORTANTE: Se pueden producir daños causados por agua si se empieza a formar condensación en las ventanas o en las paredes. El punto de **AJUSTE** de la humedad se debe bajar hasta que ya no se forme condensación. Recomendamos que los niveles de humedad ambiente no excedan el 50%.

Cuando la temperatura exterior sea:		La humedad relativa interior recomendada es:
-10 °F	-24 °C	20%
2 °F	-18 °C	25%
10 °F	-12 °C	30%
20 °F *	-6 °C *	35%

* y superior

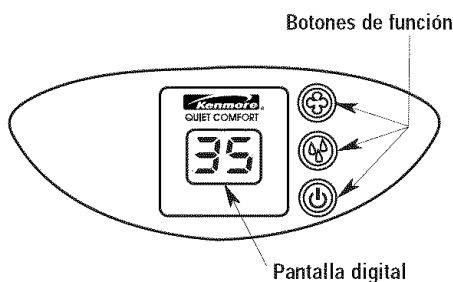
Para utilizar los controles

Pantalla digital

Oprima el botón de alimentación/velocidad una vez para encender la unidad* (⊕). Inicialmente, hay una ligera demora mientras los componentes electrónicos se calibran. Dos barras (- -) aparecerán durante este tiempo. Una vez que la calibración se haya completado, se mostrará una lectura de humedad **AMBIENTE** entre el 20 y el 95 por ciento. Una visualización de un 20 que parpadea indica que la humedad ambiente es inferior al 20%.

NOTA: Los ajustes preestablecidos en la puesta en marcha inicial son velocidad del ventilador de (**SUSURRO**) **F1** y humedad **AJUSTADA** del 65%. Después de que el usuario haya seleccionado los ajustes deseados, dichos ajustes permanecen siempre y cuando la unidad permanezca enchufada y no haya interrupción de la alimentación eléctrica. Si se desenchufa la unidad, se emplean los ajustes preestablecidos originales.

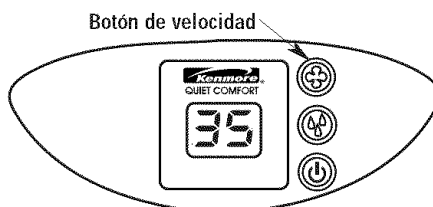
* El ventilador del humidificador debería funcionar en la puesta en marcha inicial. Si no lo hace, consulte "El ventilador no funciona (la pantalla digital está iluminada)" en la sección "Resolución de problemas" que se encuentra en la página 30.



Botón de velocidad ⊕

Este humidificador está equipado con un control de ventilador de 3 velocidades. Inicialmente, al oprimir el botón de velocidad se visualizará el ajuste de velocidad actual. Cada pulsación del botón de velocidad hace avanzar el modo a través de los ajustes de (**ALTA**) **F3**, (**INTERMEDIA**) **F2**, (**SUSURRO**) **F1** y (**AUTO**) **A**.

El ajuste seleccionado se muestra en la lectura digital. Cuanto más alto sea el ajuste, más rápidamente se evaporará el agua y se liberará al aire. **F1 (SUSURRO)** es el ajuste más silencioso y se proporciona para condiciones que no requieran una velocidad de evaporación rápida. Cuando se seleccione (**AUTO**) **A**, el humidificador determinará la velocidad del ventilador necesaria para llevar la humedad ambiente real a la humedad ajustada.

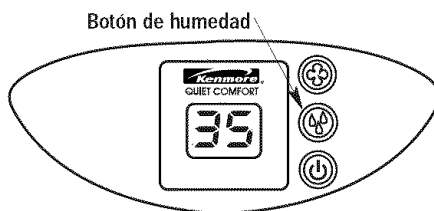


Control de humedad ⊕

Este botón le permite ajustar la humedad para adaptarla a sus necesidades. Este humidificador se encenderá y apagará cíclicamente de modo automático según sea necesario para mantener el ajuste seleccionado. La lectura muestra los ajustes de porcentaje de humedad (%) tanto real (**AMBIENTE**) como deseado (**AJUSTADO**) cuando se oprime el botón de control de la humedad. La lectura **AMBIENTE** tiene un intervalo del 20 al 95 por ciento. Si el nivel de humedad ambiente es igual o inferior al 20%, la pantalla mostrará un 20 que parpadea.

Utilización de los controles (continuación)

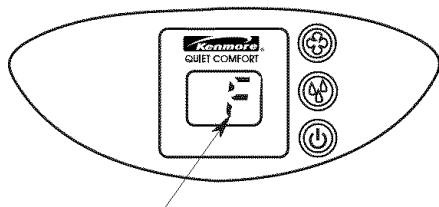
La lectura de **AJUSTE** tiene un intervalo del 25 al 65 por ciento y se ajusta en incrementos de 5%. Al oprimir inicialmente el botón de humedad, se visualizará el ajuste de humedad actual. Cada pulsación adicional del botón aumenta el ajuste en un 5%. Un punto de **AJUSTE** del 65% hace funcionar continuamente el humidificador, independientemente de la lectura **AMBIENTE**. El higrostatato que detecta las lecturas está ubicado en el cable de alimentación. Asegúrese de que este higrostatato esté libre de obstrucciones.



Utilización del humidificador

Visualización de relleno y función de resecación automática

Para obtener el máximo tiempo de funcionamiento, se deben llenar ambas botellas. Cuando las dos botellas estén vacías, la pantalla alternará la lectura de humedad ambiente y "F" (**LLENAR**), informando que se requiere agua adicional. También en este momento, la unidad cambiará automáticamente al **MODO DE RESECACIÓN AUTOMÁTICA** y continuará funcionando a la velocidad más baja hasta que el filtro esté seco.



Visualización de relleno/
Modo de resecación automática

NOTA: Durante este tiempo, se seguirá supervisando el nivel de humedad ambiente y el humidificador encenderá y apagará cíclicamente el ventilador hasta que el filtro esté completamente seco. El ventilador se apagará, dejando un humidificador seco que es menos propenso al crecimiento de moho y verdín. Si no se desea el **MODO DE RESECACIÓN AUTOMÁTICA**, rellene con agua el humidificador y el ventilador regresará a la velocidad ajustada.

NOTA: El ventilador cambia automáticamente a la velocidad más baja durante el **MODO DE RESECACIÓN AUTOMÁTICA**.

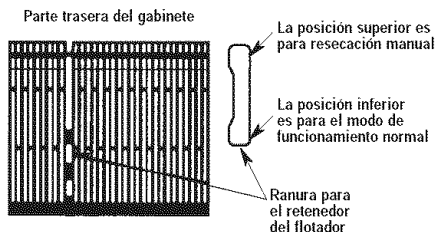
Resecación manual

Para el final de la temporada de humidificación o si usted no piensa utilizar el humidificador durante una semana o más tiempo, se proporciona un mecanismo de resecación manual para secar completamente el gabinete del humidificador.

Para hacer esto, simplemente deslice el retenedor del flotador, ubicado en la parte trasera del gabinete del humidificador, hasta la posición superior de la ranura en la que está ubicado. Esto sujetará el flotador en posición hacia arriba y el ventilador funcionará hasta que usted apague la unidad.

NOTA: Asegúrese de posicionar el retenedor del flotador en el modo de funcionamiento normal (la posición más baja de la ranura) para el funcionamiento normal del humidificador.

El diagrama siguiente corresponde a la ranura en la que el retenedor del flotador está ubicado, en la parte trasera del gabinete.



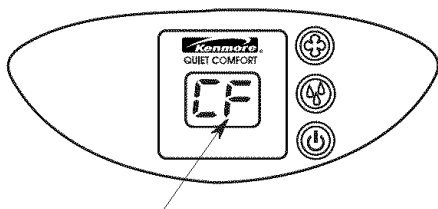
Utilización del humidificador (continuación)

Indicador de comprobación del filtro

La capacidad de cualquier humidificador para suministrar eficientemente humedad depende en gran medida del estado del filtro. A medida que el filtro se carga con impurezas, pierde gradualmente su capacidad capilar. Cuando esto ocurre, la producción de humedad se reduce y el humidificador tiene que trabajar más tiempo para satisfacer el ajuste seleccionado. Este humidificador tiene un recordatorio de comprobación del filtro, temporizado para aparecer después de 720 horas de funcionamiento del motor. Cuando la pantalla muestre un ajuste que alterna entre "CF" y "humedad ambiente" a intervalos de 5 segundos, eso es un recordatorio de que hay que comprobar el estado del filtro.

NOTA: Algunas áreas tienen un alto contenido de minerales en el agua, lo cual crea la necesidad de tener que cambiar el filtro con más frecuencia.

Consulte "Reemplazo y cuidado de los filtros" en la página 27. Si es evidente que hay una acumulación de depósitos o una descoloración intensa, reemplace el filtro para restablecer la máxima eficiencia.



Visualización de comprobación del filtro

Higrostat

El higrostat ubicado en el cable de alimentación detecta el porcentaje de humedad del aire. Hace que el humidificador se encienda y se apague ciclicamente para mantener el punto de **AJUSTE** de humedad seleccionado. El ventilador se encenderá si la lectura "AMBIENTE" desciende un 3% por debajo del punto de **AJUSTE** y continuará haciendo funcionar el humidificador hasta que se logre una lectura de un 1% por encima del punto de **AJUSTE**. El ventilador se apagará hasta que la lectura **AMBIENTE** descienda de nuevo un 3% por debajo del punto de **AJUSTE**.

Bloqueo de los controles

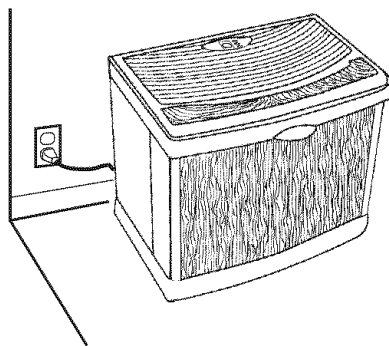
Para evitar una manipulación indebida y no deseada de los ajustes del humidificador, se pueden bloquear los controles.

Procedimiento de activación

Después de que se hayan ajustado las funciones del humidificador, oprima y mantenga oprimido el botón de alimentación durante 5 segundos. La pantalla mostrará "CL" durante 5 segundos; suelte el botón de alimentación y el control reanudará la visualización de la humedad ambiente. El humidificador seguirá funcionando con los ajustes bloqueados. Si se oprimen los botones cuando la función "CL" esté activa, se visualizará "CL" en la pantalla y los ajustes no resultarán afectados.

Procedimiento de desactivación

Para desactivar la función "CL", simplemente oprima y mantenga oprimido el botón de alimentación durante 5 segundos. "CL" parpadeará y luego reanudará la visualización de la humedad ambiente.



NOTA: Asegúrese de que el higrostat, que está ubicado en el cable de alimentación, esté libre de obstrucciones y esté alejado de toda fuente de aire caliente.

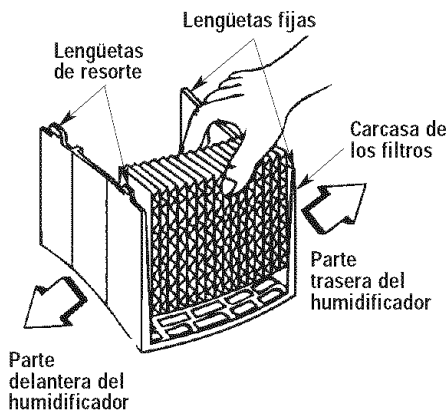
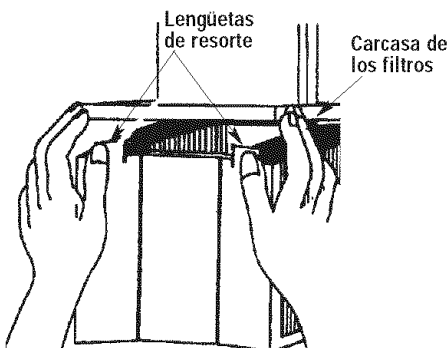
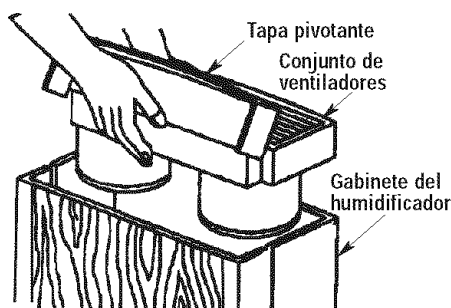
Reemplazo y cuidado de los filtros

ADVERTENCIA: Para reducir el riesgo de descargas eléctricas o lesiones causadas por las piezas móviles, desenchufe siempre el humidificador antes de quitar o reemplazar cualquier pieza.

PRECAUCIÓN: Para ayudar a retardar el crecimiento de bacterias y mantener la máxima eficiencia, se debe reemplazar el filtro al menos una vez por estación, o más a menudo en condiciones de agua dura. Use el filtro de repuesto recomendado Kenmore 32-14911.

Los filtros se deben enjuagar periódicamente en agua limpia solamente. Tenga cuidado de no dañar el papel. Para reemplazar los filtros de mecha evaporativos del humidificador, siga estas instrucciones.

1. Desenchufe el humidificador antes de quitar los filtros. Recomendamos trasladar el humidificador a un área donde los revestimientos del piso no sean propensos a sufrir daños por causa del agua, como por ejemplo áreas de cocina o de baño.
2. Levante la tapa pivotante para abrir la unidad, saque las botellas de agua y póngalas a un lado. Agarre la parte delantera central y la parte trasera central del conjunto de los ventiladores. Levante dicho conjunto y póngalo a un lado en una superficie plana y limpia. Una vez hecho esto, tendrá acceso a las carcasas de los filtros.
3. Levante la carcasa de los filtros hasta sacarla del gabinete y colóquela donde pueda trabajar en ella cómodamente. Con un paño absorbente suave, quite del gabinete del humidificador toda el agua que quede o todos los depósitos minerales sueltos que no estén atrapados en el filtro.
4. Para abrir la carcasa de los filtros y obtener acceso fácil a los filtros:
 - a. Desvieg las dos lengüetas de resorte ubicadas en la parte superior de la carcasa de los filtros. Levante la cubierta superior para separarla de la carcasa de los filtros y póngala a un lado.
 - b. Saque los dos filtros y deséchelos adecuadamente. Limpie las piezas internas del humidificador siguiendo las instrucciones de la sección "Limpieza y mantenimiento" (página 28) del manual del usuario.



- c. Instale los filtros nuevos en el carril de la carcasa de los filtros con las gotas de adhesivo de la almohadilla de empaquetadura orientadas hacia el interior de la carcasa de los filtros.
- d. Coloque de nuevo la cubierta superior de la carcasa de los filtros instalando dicha cubierta sobre las lengüetas fijas ubicadas en la parte trasera de la carcasa inferior de los filtros y pivotando la cubierta hacia abajo sobre la parte superior de los filtros. Acople a presión la cubierta sobre las dos lengüetas de resorte.

Reemplazo y cuidado de los filtros (continuación)

e. Coloque de nuevo la carcasa de los filtros en el gabinete.

NOTA: Hay una orientación delantera y una orientación trasera. Para posicionar correctamente las carcasas de los filtros:

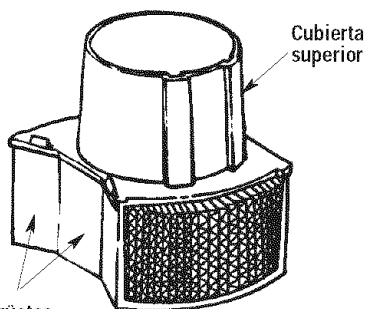
- Asegúrese de que las lengüetas de resorte de las carcasas de los filtros estén orientadas hacia la parte delantera del gabinete.
- Alinee la parte inferior del conjunto de los filtros sobre las seis nervaduras ubicadas en la parte trasera del fondo del gabinete del humidificador.

f. Posicione el conjunto de los ventiladores sobre el gabinete. Asegúrese de que la carcasa Venturi de los ventiladores (la sección cilíndrica más baja ubicada debajo de los ventiladores) esté colocada dentro de la carcasa de los filtros.

g. Coloque de nuevo las botellas de agua.

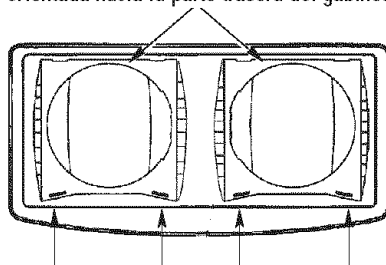
h. Ponga la tapa pivotante en posición cerrada.

i. La unidad está lista para utilizarse o para almacenarse para la próxima temporada.



Lengüetas de resorte

Parte plana de la carcasa de los filtros orientada hacia la parte trasera del gabinete



Lengüetas de resorte orientadas hacia la parte delantera del gabinete

Paso 4e

Limpieza y mantenimiento

ADVERTENCIA: Para reducir el riesgo de lesiones, incendio o daños al humidificador, utilice únicamente limpiadores recomendados específicamente para humidificadores. No utilice nunca materiales inflamables, combustibles o tóxicos para limpiar el humidificador. Para reducir el riesgo de quemarse y de dañar el humidificador, no ponga nunca agua caliente en el humidificador.

PRECAUCIÓN: La pureza del agua local varía de una zona a otra y en ciertas condiciones las impurezas contenidas en el agua y las bacterias suspendidas en el aire pueden fomentar el crecimiento de microorganismos en el depósito del humidificador.

Para retardar el crecimiento de bacterias que pueden causar olores y ser perjudiciales para la salud, utilice únicamente filtros de repuesto Kenmore. También recomendamos utilizar el bacteriostato 32-14900 aprobado por la EPA y el limpiador para humidificadores 32-14713, los cuales se pueden conseguir en su tienda local Sears.

NOTA: Si es necesario utilizar un bacteriostato aprobado, siga correctamente las instrucciones.

Las botellas del humidificador para toda la casa tienen capacidad para 2-3/8 galones de agua cada una.

Paso 1:

Para facilitar la limpieza, el gabinete del humidificador se debe vaciar y secar completamente. Para lograr esto, use el método siguiente:

- En el lado trasero del gabinete del humidificador, localice el retenedor del flotador. En el modo de funcionamiento normal, el retenedor estará posicionado en la parte inferior de la ranura ubicada en el gabinete. Empuje el retenedor hacia arriba hasta la posición superior de la ranura del gabinete, hasta que quede bloqueado en esa posición. (Consulte la sección "Resecación manual" en la página 25.)
- Deje que el humidificador funcione hasta que no quede agua en el gabinete.
- Desenchufe el humidificador.

Limpeza y mantenimiento (continuación)

ADVERTENCIA: Para reducir el riesgo de descargas eléctricas, desenchufe siempre el humidificador antes de limpiarlo o hacerle servicio de ajustes y reparaciones. Si el humidificador no está desenchufado, el ventilador podría ponerse en marcha después de quitar la carcasa.

Paso 2:

Para quitar las piezas

- Levante la tapa pivotante para abrir el humidificador, saque las botellas de agua y póngalas a un lado. Agarre la parte delantera central y la parte trasera central del conjunto de los ventiladores. Levante dicho conjunto y póngalo a un lado en una superficie plana y limpia. Una vez hecho esto, se tendrá acceso a las carcasas de los filtros.
- Antes de quitar las piezas internas del gabinete del humidificador, recomendamos trasladar el humidificador a un área donde los revestimientos del piso no sean propensos a sufrir daños por causa del agua, como por ejemplo un área de cocina o de baño. Levante los conjuntos de las carcasas de los filtros hasta sacarlos del gabinete y póngalos a un lado.
- Saque el flotador del nivel de agua del gabinete del humidificador comprimiendo el retenedor del flotador para soltarlo del gabinete. El gabinete debe estar vacío antes de limpiarlo. El gabinete consiste en las áreas inferiores del humidificador donde están los filtros durante el tiempo de funcionamiento normal.
- Vacíe el gabinete hasta que no quede nada de agua.
- Vaya a "Mantenimiento cada dos semanas" o "Mantenimiento de final de temporada".
- Quite los filtros viejos y deséchelos apropiadamente de la manera que se describe en las páginas 27-28.

Paso 3:

Instale los filtros nuevos (compre las almohadillas de filtro de mecha evaporativo correctas 32-14911 para su humidificador) en la ubicación donde estaban posicionados los filtros viejos. Instale las carcasas de los filtros con los filtros nuevos en la ubicación correcta. Reinstale el flotador del nivel de agua.

NOTA: El retenedor del flotador se debe posicionar en el modo de funcionamiento normal. Asegúrese de que esté posicionado en la parte inferior de la ranura ubicada en la parte trasera del gabinete (vea el diagrama de la ranura que aparece en la página 25).

Posicione el conjunto de los ventiladores sobre el gabinete y devuelva el humidificador a la ubicación deseada para utilizarlo.

Rellene las botellas del humidificador con agua limpia y fría y póngalas de nuevo en el gabinete. Enchufe la unidad en un tomacorriente de 120 V C.A. y ajuste los controles siguiendo las instrucciones de la sección "Utilización de los controles del humidificador" (página 24) de este manual.

Mantenimiento cada dos semanas

Remoción de costra

- Llene el depósito con agua y añada una taza de 236 ml (8 onzas) de vinagre blanco sin diluir. Deje que la solución permanezca en el depósito durante 20 minutos.
- Limpe todas las superficies interiores con un cepillo blando. Humedezca un paño suave con vinagre blanco sin diluir y limpie el depósito para quitar la costra.
- Enjuague a fondo el depósito con agua templada limpia para quitar la costra y la solución limpiadora antes de desinfectar el depósito.

Desinfección del gabinete del humidificador y las botellas de agua

- Llene el gabinete del humidificador con 1 cucharadita de blanqueador de cloro en 1 galón de agua. Deje que la solución permanezca en la base durante 20 minutos, agitándola cuidadosamente cada pocos minutos. Moje todas las superficies que normalmente estén expuestas a agua.
- Vacíe el gabinete del humidificador después de 20 minutos. Enjuáguelo con agua hasta que el olor a blanqueador haya desaparecido. Deje que la unidad se seque completamente.
- Las botellas de agua se deben limpiar de la misma manera.

Mantenimiento de final de temporada

- Siga las instrucciones de "Mantenimiento cada dos semanas" al final de la temporada de humidificación.
- Saque y tire los filtros.
- Deje que el humidificador se seque completamente antes de guardarlo. No lo guarde con agua dentro del gabinete o de las botellas de agua.
- Guarde el humidificador en un lugar fresco y seco.
- Instale un filtro nuevo en el humidificador limpio antes de que comience la próxima temporada.
- El procedimiento de "Mantenimiento cada dos semanas" también se recomienda si usted no piensa utilizar el humidificador durante una semana o más.

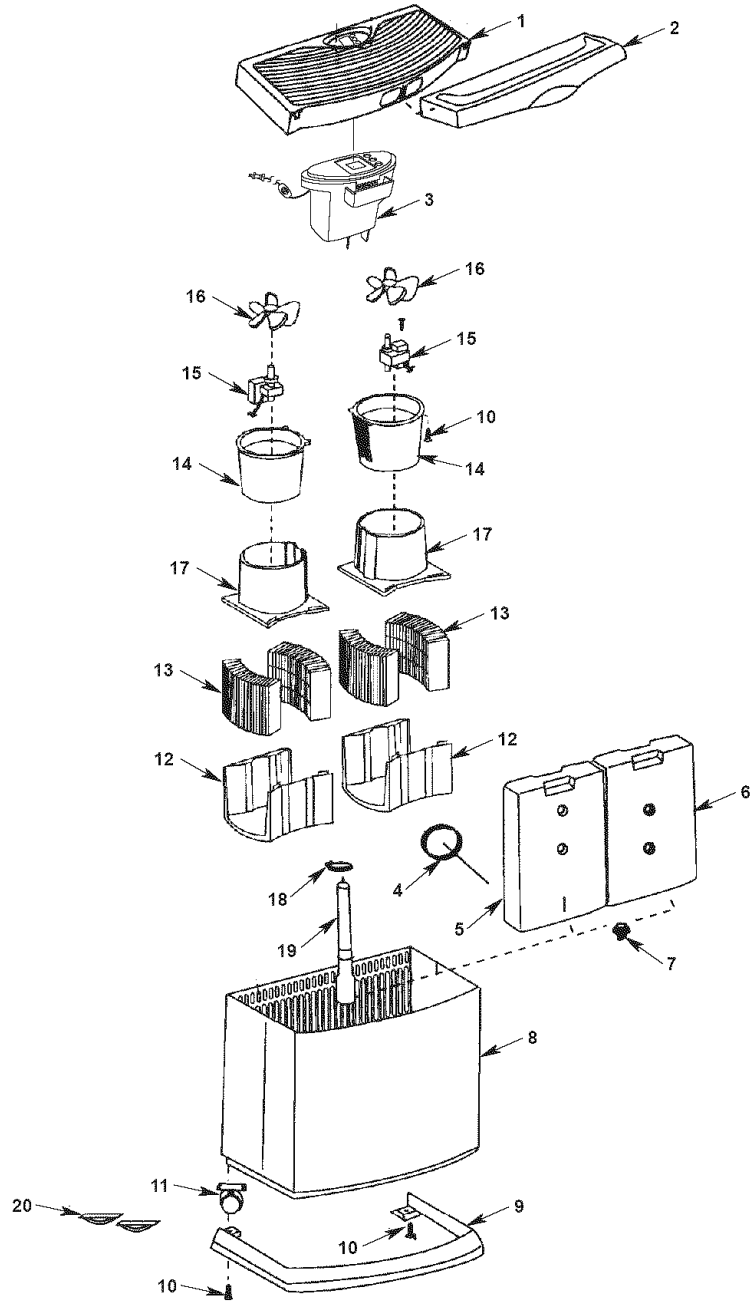
Resolución de problemas

Problema	Causa probable	Remedio
La pantalla digital no está iluminada.	<ul style="list-style-type: none"> No hay alimentación eléctrica. No se ha oprimido el botón de alimentación. 	<ul style="list-style-type: none"> Compruebe la fuente de alimentación de 120 V. Oprima el botón de alimentación una vez para encender la unidad.
El ventilador no funciona (la pantalla digital está iluminada).	<ul style="list-style-type: none"> El nivel de humedad AMBIENTE no está un 3% o más por debajo del nivel de AJUSTE de humedad. El depósito está vacío. 	<ul style="list-style-type: none"> Suba el nivel de AJUSTE de humedad si así lo desea. Aumente la velocidad del ventilador. Llene el humidificador con agua.
El ventilador está en marcha continuamente, la unidad no se apaga.	<ul style="list-style-type: none"> El flotador está obstruido. El nivel de AJUSTE de humedad es del 65%. El nivel de humedad AMBIENTE no ha alcanzado un 1% o más por encima del nivel de AJUSTE de humedad. 	<ul style="list-style-type: none"> Libere el flotador de la obstrucción. Un porcentaje de AJUSTE de humedad del 65% hace que el ventilador funcione continuamente. Gradúe el nivel de AJUSTE entre 25% y 60%. Siga haciendo funcionar la unidad hasta que se alcance el nivel de humedad deseado. Esto se podría tomar hasta 48 horas inicialmente.
Mala evaporación de agua.	<ul style="list-style-type: none"> El mensaje de Comprobar el filtro "CF" está parpadeando. Acumulación de minerales en el filtro. 	<ul style="list-style-type: none"> Cambie el filtro con un filtro totalmente nuevo. NOTA: La pureza del agua local varía de un área a otra.
Ninguna de las dos botellas se está vaciando.	<ul style="list-style-type: none"> Al émbolo de la tapa de la botella le falta un poste en el fondo del gabinete. Filtros sucios. 	<ul style="list-style-type: none"> Compruebe la orientación de las botellas. Reposiciónelas de modo que el émbolo (vástago) de la tapa de la botella sea oprimido por el poste ubicado en el fondo del gabinete. Cambie los filtros usando filtros totalmente nuevos (32-14911).
Las botellas siguen vaciándose.	<ul style="list-style-type: none"> Está entrando aire en las botellas de aguas. 	<ul style="list-style-type: none"> Compruebe las "tapas laterales de llenado fácil" y las tapas del conjunto de la válvula para asegurarse de que estén apretadas. Compruebe si hay escapes en las botellas de agua. Asegúrese de que las empaquetaduras de las "tapas laterales de llenado fácil" estén colocadas en su sitio.
La botella izquierda no se está vaciando.	<ul style="list-style-type: none"> La botella derecha contiene agua. 	<ul style="list-style-type: none"> El humidificador está diseñado para que la botella derecha se vacie primero.
La visualización "F" de llenar está encendida antes de que las botellas estén vacías.	<ul style="list-style-type: none"> La unidad no está colocada en una superficie nivelada. (El flotador no detectará agua en la parte delantera del gabinete.) 	<ul style="list-style-type: none"> Posicione la unidad de modo que esté nivelada. (Algunos acolchados de alfombra pueden permitir que la unidad se asiente más baja en la parte delantera que en la parte trasera, con el peso adicional de las botellas de agua en la parte delantera del gabinete. Instale almohadillas para ruedecilla debajo de las ruedecillas delanteras [consulte la página 21]).
La visualización parpadea o el ventilador se mueve ligeramente al enchufar el humidificador.	<ul style="list-style-type: none"> Normal. 	<ul style="list-style-type: none"> No es necesario tomar medidas.
El ventilador funciona más despacio que la velocidad registrada en la pantalla digital.	<ul style="list-style-type: none"> El humidificador está en el "Modo de resecación" 	<ul style="list-style-type: none"> El humidificador cambia automáticamente el ventilador a (SUSURRO) F1 cuando la "F" está parpadeando.
El humidificador no se apaga durante el "Modo de resecación".	<ul style="list-style-type: none"> El filtro no está seco. 	<ul style="list-style-type: none"> Durante el "Modo de resecación", el humidificador continuará funcionando a la velocidad de (SUSURRO) F1, según sea necesario durante hasta 2 horas.
Se visualizan alternativamente "F" y la humedad ambiente.	<ul style="list-style-type: none"> El depósito está vacío. 	<ul style="list-style-type: none"> Llene el humidificador con agua.
Se visualizan alternativamente "CF" y la humedad ambiente.	<ul style="list-style-type: none"> El filtro podría estar sucio. 	<ul style="list-style-type: none"> Cambie el filtro.

PRECAUCIÓN: Utilice únicamente un bacteriostato registrado por EPA 32-14900, que se puede obtener en una tienda minorista Sears. La utilización de otros productos de tratamiento de agua podría dañar los elementos del filtro. En ninguna circunstancia debe usted usar productos de tratamiento de agua diseñados para humidificadores de fotocorrea o ultrasónicos.

Piezas de repuesto

Lista de piezas del humidificador Kenmore No. de modelo 758.154200



Piezas de repuesto

Lista de piezas del humidificador Kenmore

No. de modelo 758.154200

Pida siempre por número de pieza, no por número de clave

No. de clave	No. de pieza	Descripción
1	828741-2	Tapa estacionaria
2	828855-1	Tapa pivotante
3	831680	Conjunto de controles
4	824690	"Tapa lateral de llenado fácil"
5	828192	Botella izquierda (incluye los Nos. de clave 4 y 7)
6	828726	Botella derecha (incluye los Nos. de clave 4 y 7)
7	509229-1	Tapa del conjunto de la válvula
8	828199-9	Gabinete
9	823726	Riel protector
10	STD601107	* Tornillo de cabeza troncoconica tipo "AB" No. 10 x 3/4
11	828515	Ruedecilla doble
12	830560-1	Soporte del filtro inferior
13	32-14911	† Filtro evaporativo
14	828534	Soporte del motor
15	828115-1	Motor
16	822406-1	Ventilador
17	828197	Soporte del filtro superior
18	824101	Retenedor del flotador
19	828200-3	Flotador del nivel de agua
20	828920	Almohadilla para ruedecilla (dos)
—	SP6644	Manual del usuario (no ilustrado)

NOTA: Todo intento de reparar el conjunto de los controles o el motor puede crear un peligro, a menos que la reparación sea realizada por un técnico de servicio calificado. El servicio de reparaciones está disponible en la tienda Sears más cercana.

* Artículo de herrajes estándar. Se puede comprar localmente.

† Artículo de existencias. Se puede conseguir a través del departamento de ferretería de la mayoría de las tiendas minoristas Sears.

Notes / Notas

Get it fixed, at your home or ours!

Your Home

For repair – **in your home** – of all major brand appliances, lawn and garden equipment, or heating and cooling systems, **no matter who made it, no matter who sold it!**

For the replacement parts, accessories and owner's manuals that you need to do-it-yourself.

For Sears professional installation of home appliances and items like garage door openers and water heaters.

1-800-4-MY-HOME®
(1-800-469-4663)
www.sears.com

Anytime, day or night
(U.S.A. and Canada)
www.sears.ca

Our Home

For repair of carry-in products like vacuums, lawn equipment, and electronics, call or go on-line for the nearest **Sears Parts and Repair Center.**

1-800-488-1222 Anytime, day or night (U.S.A. only)
www.sears.com

To purchase a protection agreement (U.S.A.) or maintenance agreement (Canada) on a product serviced by Sears:

1-800-827-6655 (U.S.A.)

1-800-361-6665 (Canada)

Para pedir servicio de reparación a domicilio, y para ordenar piezas:

1-888-SU-HOGARSM
(1-888-784-6427)

Au Canada pour service en français:

1-800-LE-FOYER^{MC}
(1-800-533-6937)
www.sears.ca



© Sears, Roebuck and Co.

® Registered Trademark / ™ Trademark / SM Service Mark of Sears, Roebuck and Co.

® Marca Registrada / ™ Marca de Fábrica / SM Marca de Servicio de Sears, Roebuck and Co.

^{MC} Marque de commerce / ^{MD} Marque déposée de Sears, Roebuck and Co.

Free Manuals Download Website

<http://myh66.com>

<http://usermanuals.us>

<http://www.somanuals.com>

<http://www.4manuals.cc>

<http://www.manual-lib.com>

<http://www.404manual.com>

<http://www.luxmanual.com>

<http://aubethermostatmanual.com>

Golf course search by state

<http://golfingnear.com>

Email search by domain

<http://emailbydomain.com>

Auto manuals search

<http://auto.somanuals.com>

TV manuals search

<http://tv.somanuals.com>