

Installation Manual
Manual de Instalación
English / Español

ENGLISH

ESPAÑOL

Model/Modelo: 721.9604*

Kenmore Elite[®]

Electric Range

Estufa Eléctrica

* = color number, número de color

P/N MFL69645901 Rev 00

Sears Brands Management Corporation
Hoffman Estates, IL 60179 U.S.A.

www.kenmore.com
www.sears.com



TABLE OF CONTENTS

3 IMPORTANT SAFETY INSTRUCTIONS

5 PREPARING FOR INSTALLATION

- 5 Before you Begin
- 6 Dimensions and Clearances

7 ELECTRICAL CONNECTIONS

- 7 Electrical Connection Requirements
- 7 Connect Range Cord
- 8 3-Wire Connection with a Power Supply Cord
- 9 4-Wire Connection with a Power Supply Cord
- 9 3-Wire Connection: Conduit
- 10 4-Wire Connection: Conduit

11 INSTALLING THE RANGE

- 11 Anti-Tip Device Installation
- 11 Final Installation
- 12 Test Run

IMPORTANT SAFETY INSTRUCTIONS

Read and follow all instructions before using your oven to prevent the risk of fire, electric shock, personal injury, or damage when using the range. This guide does not cover all possible conditions that may occur. For further assistance contact your service agent or manufacturer.



This is the safety alert symbol. This symbol alerts you to potential hazards that can cause personal injury to you and others. All safety messages will follow the safety alert symbol and either the word "WARNING" or "CAUTION".

WARNING

This symbol will alert you to hazards or unsafe practices which could cause serious bodily harm or death.

CAUTION

This symbol will alert you to hazards or unsafe practices which could cause bodily injury or property damage.

WARNING

- **The information in this manual should be followed exactly to avoid fire, electrical shock, property damage, personal injury, or death.**
- **Do not step or sit on the oven door. Install the Anti-Tip Bracket supplied with the range.**
 - The range could be tipped and injury might result from spilled hot liquid, food, or the range itself.
 - If the range is pulled away from the wall for cleaning, service, or any other reason, ensure that the Anti-Tip Device is properly reengaged when the range is pushed back against the wall.
- All ranges can tip and injury could result.
 - To prevent accidental tipping of the range, attach an approved anti-tip device to the wall. (See "Installing the Anti-Tip Device" in this manual and the instructions packaged with the device.)
 - To check if the device is installed and engaged properly, carefully tip the range forward. The anti-tip device should engage and prevent the range from tipping over.
 - If you pull the range out from the wall for any reason, make sure the anti-tip device is engaged when you push the range back against the wall.
- **Use two or more people to move and install range. (Excessive Weight Hazard)**
 - Failure to do so can result in back injury or other injury.
- **Do not use the oven door handles to pull, push, or move the range.**
 - Doing so can result in serious damage to the door of the range.
- **New branch-circuit installations (1996 NEC) for mobile homes, recreational vehicles, and installations where local codes do not allow grounding through the neutral wire require a 4-conductor UL listed range cord or 4-wire conduit connection.**
- **Do not modify the power supply cord or plug. If the plug will not fit in the outlet, have a proper outlet installed by a qualified electrician.**

⚠ WARNING

- **Do not use an extension cord with this appliance.**
- **This appliance must be electrically grounded.**
- **Do not allow the power cord to be pinched or crushed by the range or other heavy objects.**
 - Doing so can result in serious burns or electrical shock.
- **Never remove the protective cover on the rear of the lower oven..**
 - Doing so can cause serious damage to power cord, resulting in serious burns and electric shock.
- **The middle (neutral or ground) wire of a 3-wire power cord or a 3-wire conduit must be connected to the middle post of the main terminal block. The remaining two wires of the power cord or conduit must be connected to the outside posts of the main terminal connection block.**
 - Failure to do so can result in electrical shock, severe personal injury or death.
- **Only a 4-conductor power-supply cord kit rated for 120/240 volts, 50 amperes and marked for use with ranges with closed-loop connectors or open-end spade lugs with upturned ends shall be used. The middle (neutral) wire of the power cord or 4-wire conduit must be connected to the middle post of the main terminal block. The other two wires of the power cord or conduit must be connected to the outside posts of the main terminal connection block. The fourth ground wire must be connected to the frame of the range with the ground screw.**
 - Failure to do so can result in electrical shock, severe personal injury or death.

⚠ CAUTION

- **Wear gloves during the installation procedure.**
 - Failure to do so can result in bodily injury.
- **The wall covering, countertop and cabinets around the range must be able to withstand the heat (up to 194°F) generated by the range.**
 - Discoloration, delamination or melting may occur.
 - This range has been designed to comply with the maximum allowable wood cabinet temperatures of 194°F.
- **Avoid placing cabinets above the range.**
- **If there are cabinets above the range, install a range hood that projects horizontally a minimum of 5 inches beyond the bottom of the cabinets.**
 - Doing so will reduce the risk of burns or fire caused by reaching into cabinets above the heated surface elements.
- **Do not install the range in a humid area. Splashing the range with water or any electrolyte can result in electric shock.**
- **Do not let cooking grease or flammable material accumulate in or near the range.**
 - Doing so so can result in serious burns.

PREPARING FOR INSTALLATION

BEFORE YOU BEGIN

Remove all tape and packing materials before using the range. Dispose of all plastic bags after unpacking the range. Never allow children to play with packing materials.

You can download the installation and owner's manual at: <http://www.kenmore.com>

⚠ WARNING

- The information in this manual should be followed exactly to avoid a fire or electric shock which may result in property damage, personal injury, or death.

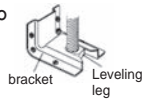
⚠ WARNING

Tip - Over Hazard

A child or adult can tip the range and be killed. Verify the anti-tip bracket has been installed. Ensure the anti-tip bracket is engaged when the range is moved. Do not operate the range without the anti-tip bracket in place. Failure to follow these instructions can result in death or serious burns to children and adults.



To check visually that leveling leg is inserted into bracket, grasp the top rear edge of the range and carefully attempt to tilt it forward.



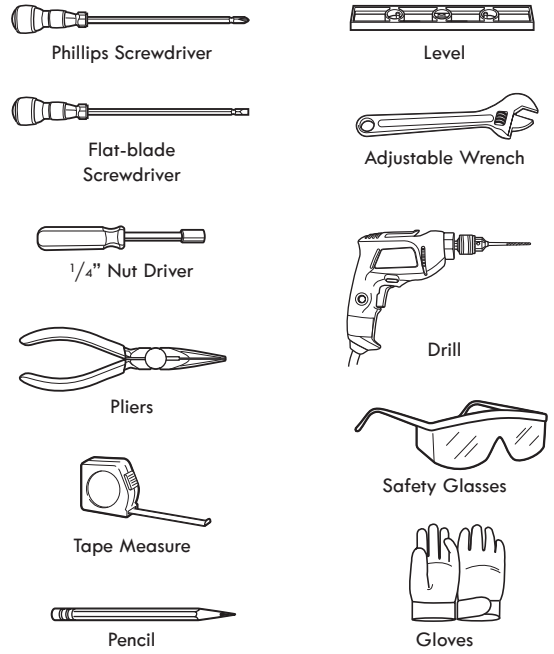
⚠ CAUTION

- **Wear gloves during the installation procedure.**
 - Failure to do so can result in bodily injury.
- Keep these instructions with your Use & Care Guide for future reference.
- As when using any appliance generating heat, there are certain safety precautions you should follow.
- Be sure your range is installed and grounded properly by a qualified installer or service technician.
- Make sure the wall coverings around the range can withstand the heat generated by the range.
- To eliminate the need to reach over the surface elements, cabinet storage space above the elements should be avoided.

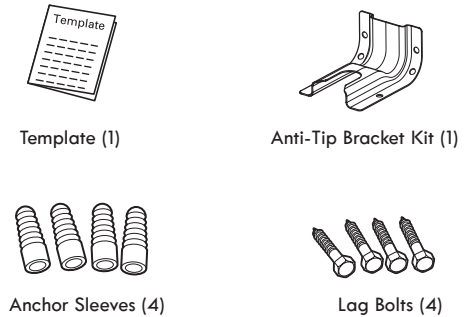
ℹ NOTE

- Read all instructions contained in these installation instructions before installing range.
- Remove all tape and packing materials from the oven compartments before connecting the electrical supply to the range.
- Observe all governing codes and ordinances.
- Be sure to leave these instructions with the consumer.
- Dispose of all plastic bags after unpacking the range. Never allow children to play with packing materials.
- You can download the Installation Guide and Use & Care Guide at: www.kenmore.com

TOOLS NEEDED

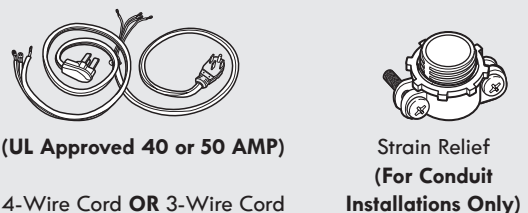


PARTS PROVIDED



(For Anti-Tip Bracket Mounted on Concrete Floors and Walls)

PARTS NOT PROVIDED



DIMENSIONS AND CLEARANCES

NOTE

Save for the use of the local electrical inspector.

For installation in **CANADA**, a Free-standing range is not to be installed closer than $15/32$ " (12mm) from any adjacent surface.

WARNING

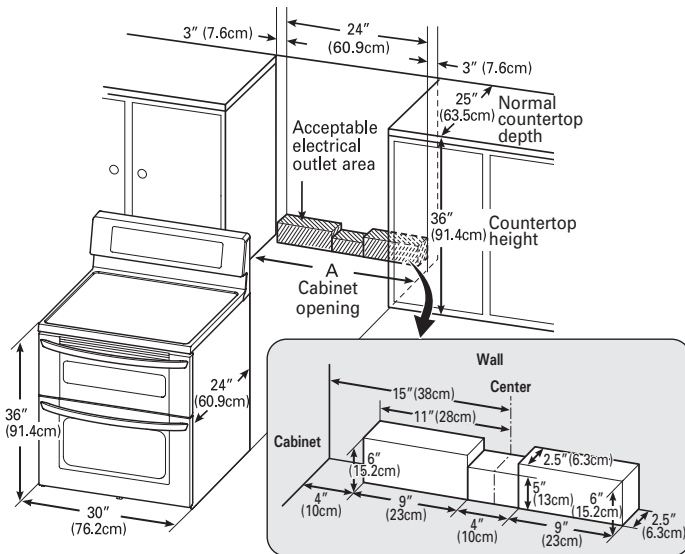
- Use two or more people to move and install range. (Excessive Weight Hazard)
 - Failure to do so can result in back injury or other injury.
- Do not use the oven handles to push, pull, or move the range.
 - Doing so can result in serious damage to the door of the range.

CAUTION

- The wall covering, countertop and cabinets around the range must be able to withstand the heat (up to 194°F) generated by the range.
 - Discoloration, delamination or melting may occur.
 - This range has been designed to comply with the maximum allowable wood cabinet temperatures of 194°F.

CAUTION

- Avoid installing cabinets directly over the range.
- If cabinets are installed over the range, install a range hood that projects horizontally a minimum of 5 inches beyond the bottom of the cabinets.
 - Doing so will reduce the risk of burns or fire caused by reaching above the heated surface elements.



A = 30" (76.2 cm) For U.S.A
 = 30" to 31" (76.2 to 78.7 cm) For CANADA

FIGURE 1

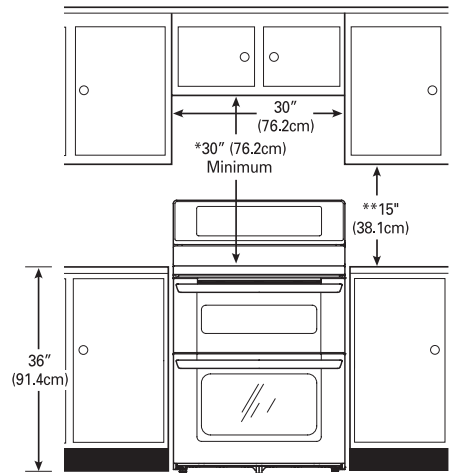


FIGURE 2

MINIMUM DIMENSIONS (Figure 2)

- * 30" (76.2 cm) minimum clearance between the top of the cooking surface and the bottom of an unprotected wood or metal cabinet; or 24" (60.9 cm) minimum when bottom of wood or metal cabinet is protected by not less than $1/4$ " (6.4 cm) flame retardant millboard covered with not less than no. 28 MSG sheet steel, 0.015" (0.381 mm) stainless steel, 0.024" (0.610 mm) aluminum or 0.020" (0.508 mm) copper.
- ** 15" (38.1 cm) minimum between countertop and adjacent cabinet bottom.

ELECTRICAL CONNECTIONS

ELECTRICAL CONNECTION REQUIREMENTS

This appliance must be installed and grounded on a branch circuit by a qualified technician in accordance with the National Electrical code ANSI/NFPA NO. 70 - latest edition.

All wiring should conform to Local and NEC codes. This range requires a single-phase, 3 wire, AC 120/208V or 120/240V 60Hz electrical system. Use only a 3-conductor or a 4-conductor UL-listed range cord with closed-loop terminals, open-end spade lugs with upturned ends, or similar termination. **DO NOT** install the power cord without a strain relief.

A range cord rated at 40 amps with 120/240 minimum volt range is required. If a 50 amp range cord is used, it should be marked for use with $1\frac{3}{8}$ " diameter connection openings.

This appliance may be connected by means of conduit or power cord. If conduit is being used, go to page 9 for **3 wire conduit connections** or page 10 for **4 wire conduit connections**.

⚠ WARNING

- **New branch-circuit installations (1996 NEC) for mobile homes, recreational vehicles, and installations where local codes do not allow grounding through the neutral wire require a 4-conductor UL listed range cord or 4 wire conduit connection.**
- **Power supply cord and plug should not be modified. If the plug will not fit in the outlet, have a proper outlet installed by a qualified electrician.**
- **Do not use an extension cord to connect to power. Connect the power cord and plug directly.**
- **Electrical ground is required on this appliance.**
- **Make sure that the power cord is not pinched by the range or heavy objects.**
 - Failure to do so can result in serious burns or electrical shock.

Specified power-supply-cord kit rating				
Range rating, watts		Specified rating of power-supply-cord kit, amperes	Diameter (inches) of Range connection Opening	
120/240 volts 3-wire	120/208 volts 3-wire		Power cord	Conduit
8,750 - 16,500	7,801 - 12,500	40 or 50A	$1\frac{3}{8}$ "	$1\frac{1}{8}$ "
16,501 - 22,500	12,501 - 18,500		$1\frac{3}{4}$ "	$1\frac{3}{8}$ "

3, 4 - Wire electrical wall Receptacle

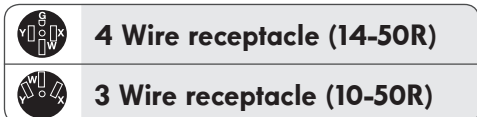


FIGURE 3

CONNECT RANGE CORD

⚠ WARNING

- **Do not operate the range without the protective covering on the rear of the lower oven in place.**
 - Doing so can cause serious damage to the power cord, resulting in severe burns and electric shock.

The rear access cover must be removed. Loosen the three screws with a screwdriver. The terminal block will then be accessible.

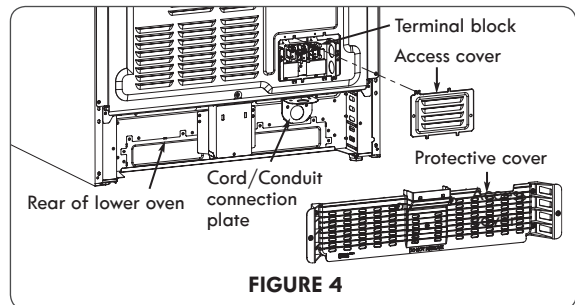


FIGURE 4

Use the cord/conduit connection plate to install the power cord or conduit. Leave the connection plate as installed for power cord installations. Remove the connection plate for conduit installations and use the smaller $1\frac{1}{8}$ " (2.8 cm) conduit hole instead of the $1\frac{3}{8}$ " (3.5 cm) power cord hole.

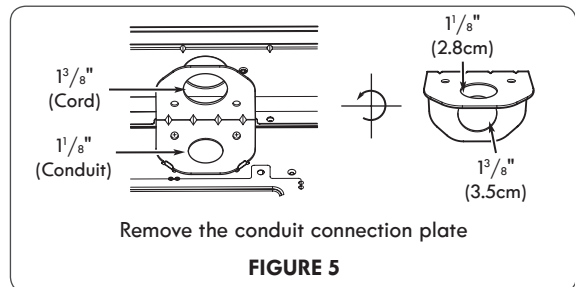


FIGURE 5

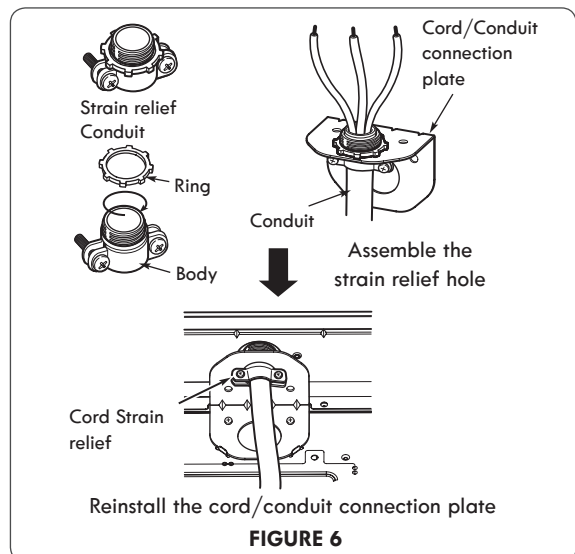


FIGURE 6

3-WIRE CONNECTION WITH A POWER SUPPLY CORD

▲ WARNING

- The middle (neutral or ground) wire of a 3 wire power cord or a 3 wire conduit must be connected to the middle post of the main terminal block. The remaining two wires of the power cord or conduit must be connected to the outside posts of the main terminal connection block.
 - Failure to do so can result in electrical shock, severe personal injury or death.

Install the power cord as follows:

For power cord installations, hook the strain relief over the power cord hole ($1\frac{3}{8}$ ") located below the rear of lower oven. Insert the power cord through the strain relief and tighten it. (Refer to Figure 7.)

DO NOT install the power cord without a strain relief.

1. Remove the lower 3 screws from the terminal block and retain them. (Refer to Figure 8.)
2. Insert the 3 screws through each power cord terminal ring and into the lower terminals of the terminal block. Make sure that the center wire (white/neutral) is connected to the center lower position of the terminal block.
3. Tighten 3 screws securely into the terminal block.

Do not remove the ground strap connections.

4. Go to page 11.

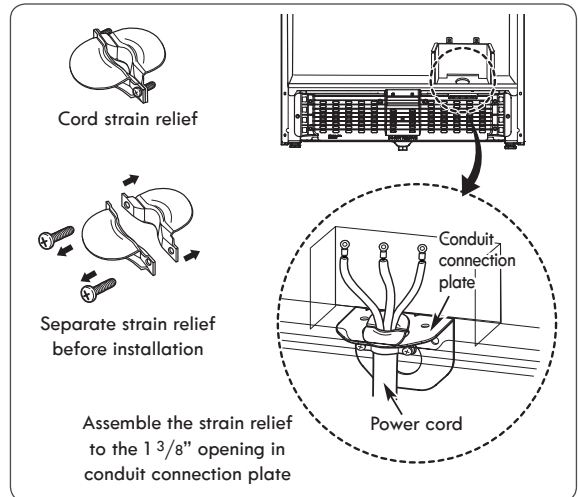


FIGURE 7

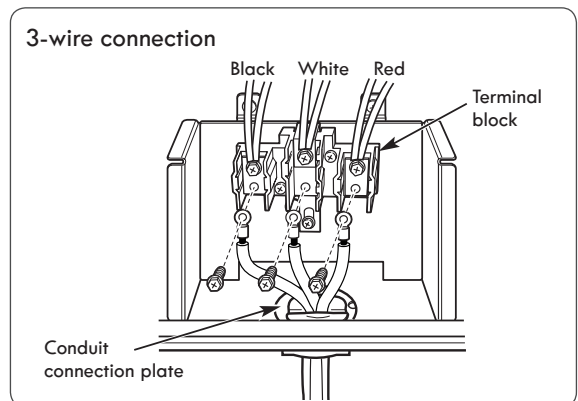


FIGURE 8

4-WIRE CONNECTION WITH A POWER SUPPLY CORD

⚠ WARNING

- Only a 4-conductor power-supply cord kit rated 120/240 volts, 50 amperes and marked for use with ranges, with closed loop connectors or open-end spade lugs with upturned ends, shall be used. The middle (neutral) wire of the power cord or 4-wire conduit must be connected to the middle post of the main terminal block. The other two wires of the power cord or conduit must be connected to the outside posts of the main terminal connection block. The 4th ground wire must be connected to the frame of the range with the ground screw.
 - Failure to do so can result in electrical shock, severe personal injury or death.

Follow the instructions under “CONNECT RANGE CORD” on page 7 to correctly install the strain relief.

1. Remove the lower 3 screws from the terminal block and retain them. (Refer to Figure 9.)
2. Remove the ground screw and bend the end of the ground strap up so the slot is over the hole of the center screw removed in step 1.
3. Insert the ground screw into the power cord ground wire terminal ring and secure it to the range frame.
4. Insert the 3 screws through each power cord terminal ring and into the lower terminals of the terminal block. Make sure that the center wire (white/neutral) is connected to the center lower position of the terminal block. Tighten the 3 screws securely into the terminal block. The center screw now attaches the bent up ground strap to the block.
5. Go to page 11.

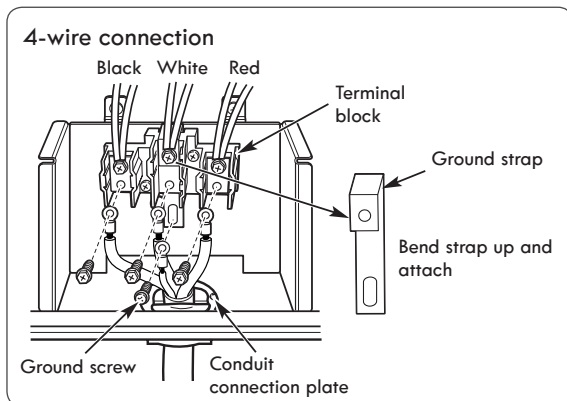


FIGURE 9

3-WIRE CONNECTION: CONDUIT

Install the conduit as follows:

Remove the conduit connection plate from the rear of lower oven and rotate it as shown in Figure 5. The conduit hole ($1\frac{1}{8}$ "") must be used.

First, prepare the conduit wires as shown in Figure 10.

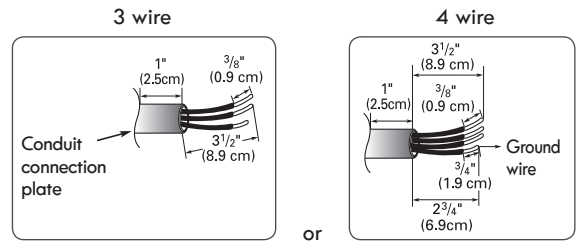


FIGURE 10

Second, install the conduit strain relief as shown in Figure 6.

For conduit installations, purchase a strain relief and insert it into the $1\frac{1}{8}$ " (2.8 cm) conduit hole. Then install the conduit through the body of the strain relief and fasten the strain relief with its ring. Reinstall the bracket.

For conduit connections :

If the wire in the conduit is copper it must be 8 or 10 AWG wiring.

If the wire in the conduit is aluminum it must be 6 or 8 AWG wiring.

1. Loosen the lower 3 screws from the terminal block. (Refer to Figure 11.)
2. Insert the bare wire (white/neutral) end through the center terminal block opening.

Do not remove ground strap connections.
3. Insert the two side bare wire ends into the lower left and the lower right terminal block opening. Tighten the 3 screws securely into the terminal block. (approximately 35 - 50 IN-LB)
4. Go to page 11.

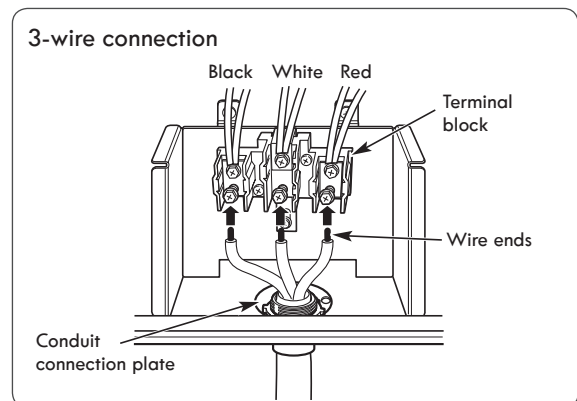


FIGURE 11

4-WIRE CONNECTION: CONDUIT

⚠ WARNING

- The white middle (neutral) wire of the power cord or 4-wire conduit must be connected to the middle post of the main terminal block. The other two wires of the power cord or conduit must be connected to the outside posts of the main terminal connection block. The fourth, ground wire (green) must be connected to the frame of the range with the ground screw.
 - Failure to do so can result in electric shock, severe personal injury or death.

1. Follow the instructions under “Install the conduit as follows” on page 9 to correctly install the strain relief. **DO NOT install the conduit without a strain relief.**
2. Loosen the 2 lower left and right screws from the terminal block. (Refer to Figure 12.)
Remove the lower 2 center screws. Do not discard any screws.
3. **Remove the ground screw and bend the end of the ground strap up so the slot is over the hole of the center screw removed in step 2.**
4. Attach the ground bare wire end to range frame and secure it in place with the ground screw (Refer to figure 12.)
5. Insert the bare wire (white/neutral) end through the center terminal block opening. The center screw now attaches the bent up ground strap to the block.
6. Insert the two side bare wire ends into the left and the right terminal block openings.
Tighten the 3 screws securely into the terminal block. (approximately 35 - 50 IN-LB)
7. Go to page 11.

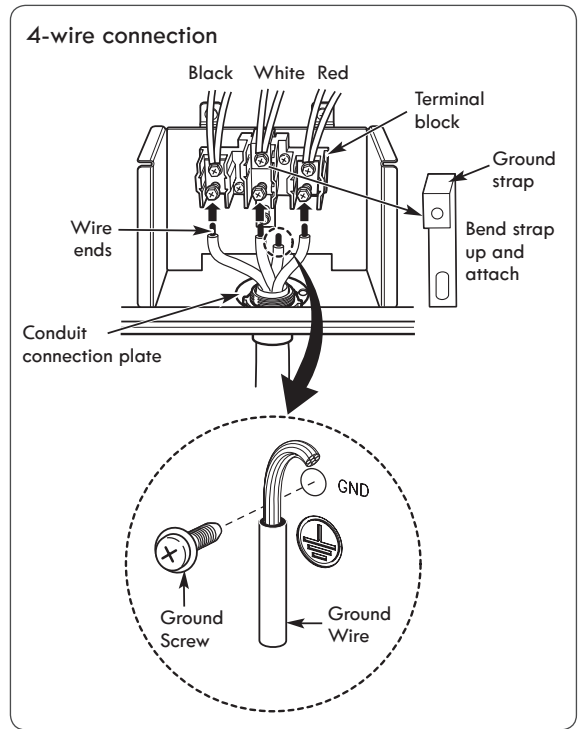
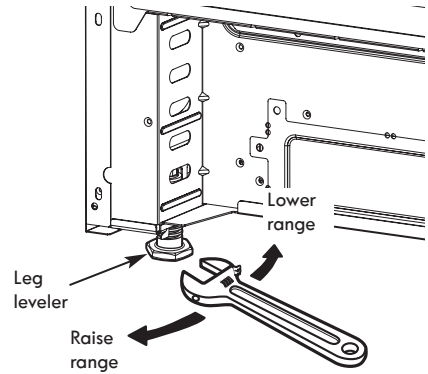
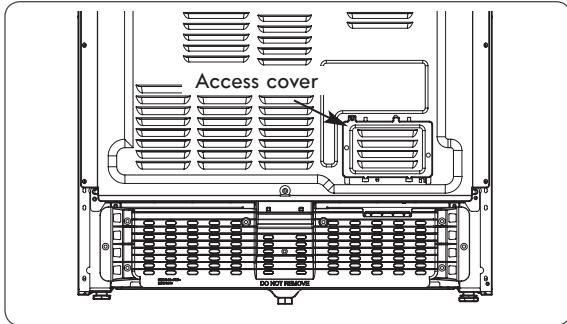


FIGURE 12

INSTALLING THE RANGE

Replace the access cover on the back of the range. To replace the wire cover, insert the two tabs into the openings located below the opening and tighten the three screws.




Use a level to check your adjustments. Place the level diagonally on the oven rack, and check each direction for level.

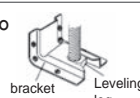
ANTI-TIP DEVICE INSTALLATION

⚠ WARNING

Tip - Over Hazard



A child or adult can tip the range and be killed. Verify the anti-tip bracket has been installed. Ensure the anti-tip bracket is engaged when the range is moved. Do not operate the range without the anti-tip bracket in place. Failure to follow these instructions can result in death or serious burns to children and adults.

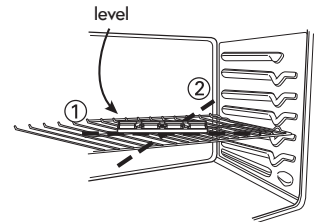


To check visually that leveling leg is inserted into bracket, grasp the top rear edge of the range and carefully attempt to tilt it forward.

First check direction ①.

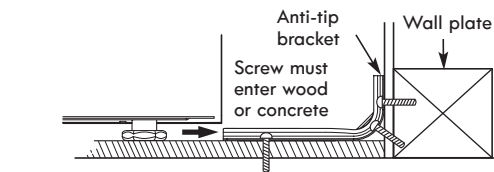
After check direction ②.

If the level doesn't show level on the rack, adjust the leveling legs with a wrench.



FINAL INSTALLATION

- Move range close enough to the opening to plug into the receptacle.
- Slide range into position insuring that the left back leg slides under the anti-tip bracket. Range should sit flush against the back wall when properly installed.
- Carefully attempt to tip range forward to insure that the anti-tip bracket is engaged properly. If properly installed, the anti-tip bracket will prevent the range from being tipped. If the range can be tipped, reinstall the range until the bracket is properly engaged and the range will not tip forward.
- Turn on electrical power. Check the range for proper operation as described in owner's manual.



1. Locate the bracket using the template

An Anti-tip bracket is packaged with template. The instructions include necessary information to complete the installation. Read and follow range installation instruction sheet (template).

2. Level the range

Level the range by adjusting the leveling legs with a wrench. Extending the legs slightly may also make it easier to insert the rear leg into the anti-tip bracket.

TEST RUN

Check if the range is properly installed and run a test cycle.

1. Touch **Clear/Off** to start test.
2. Set the elements to Hi to check that the surface heating elements are working properly. The elements should glow red and radiate heat, and they should cycle on and off periodically even when set to the Hi position. This cycling prevents the glass-ceramic from being cracked by thermal shock.

IMPORTANT: The warm zone does not consume enough power to glow red.

3. After checking all the surface heating elements, check the locking system by touching Start for three seconds. The oven door should lock and the cooktop should not operate while the Lockout function is turned on. touch Start for three seconds to disable Lockout.
4. Now check the ovens' operation. Touch Bake and touch the number keys to set the upper oven temperature to 350°F. Repeat for the lower oven.
5. The ovens should finish preheating in 15 minutes, and the convection fan should operate while the lower oven is preheating.
6. After checking the ovens' operation, turn the temperature up to 450°F and leave the ovens on for at least an hour to help remove any oil which might cause smoke and odors when first using the ovens.

NOTE

Smoke may come out of the range when it is first used.

ÍNDICE

14 INSTRUCCIONES IMPORTANTES DE SEGURIDAD

16 PREPARACIÓN PARA LA INSTALACIÓN

- 16 Antes de comenzar
- 17 Dimensiones y espacios

18 CONEXIONES ELÉCTRICAS

- 18 Requisitos de las conexiones eléctricas
- 18 Cómo conectar el cable de la estufa
- 19 Conexión de 3 alambres con un cable de alimentación
- 20 Conexión de 4 alambres con un cable de alimentación
- 20 Conexión de 3 alambres: Conducto portacables
- 21 Conexión de 4 alambres: Conducto portacables

22 CÓMO INSTALAR LA ESTUFA

- 22 Instalación del soporte anti vuelco
- 22 Instalación final
- 23 Prueba de funcionamiento

INSTRUCCIONES IMPORTANTES DE SEGURIDAD

Lea y siga todas las instrucciones antes de utilizar su estufa para evitar el riesgo de incendio, descarga eléctrica, lesiones personales o daños cuando use la estufa. Esta guía no cubre todas las condiciones posibles que pueden ocurrir. Para mayor asistencia, comuníquese con su agente de servicios o fabricante.



Este es el símbolo de alerta de seguridad. Este símbolo lo alerta sobre peligros potenciales que pueden matarlo a lastimarlo a usted o a otros. Todos los mensajes de seguridad se encontrarán después de los símbolos de alerta de seguridad y de las palabras "ADVERTENCIA" O "PRECAUCIÓN".

⚠️ ADVERTENCIA

Este símbolo lo alerta sobre peligros o prácticas poco seguras que podrían provocar lesiones personales graves o la muerte.

⚠️ PRECAUCIÓN

Este símbolo lo alerta sobre peligros o prácticas poco seguras que podrían provocar lesiones personales o daños a la propiedad.

⚠️ ADVERTENCIA

- **La información de este manual se debe seguir con precisión para evitar incendios, descargas eléctricas, daños a la propiedad, lesiones personales o muerte.**
- **No se pare ni se siente sobre la puerta del horno. Instale el soporte anti vuelco suministrado con la estufa.**
 - La estufa puede volcarse y puede provocar lesiones debido al derrame de líquidos y alimentos calientes o la estufa misma.
 - Cuando se separa la estufa de la pared por motivos de limpieza, servicio u otra razón, asegúrese de volver a embonar correctamente el Soporte Anti Vuelco al volver a empujar la estufa contra la pared.
- **Todas las estufas pueden inclinarse y provocar lesiones.**
 - Para evitar vuelcos accidentales de la estufa, instale un soporte anti vuelco aprobado en la pared. (Consulte la sección "Instalación del soporte anti vuelco" de este manual y las instrucciones que vienen con el soporte.)
 - Para verificar si el soporte está instalado y sujeto correctamente, incline con cuidado la estufa hacia adelante. El soporte anti vuelco debería sujetar y evitar que la estufa se vuelque hacia adelante.
 - Si, por alguna razón, usted separa la estufa de la pared, asegúrese de que el soporte anti vuelco quede sujeto cuando vuelva a colocar la estufa contra la pared.
- **Para la instalación o para mover la estufa, son necesarias dos personas. (Riesgo de peso excesivo)**
 - Ignorar esta advertencia puede causar daños en la espalda u otros daños.
- **No utilice las manijas de la puerta del horno para tirar de la estufa, empujarla o moverla.**
 - Ignorar esta advertencia puede causar daños serios en la puerta del horno.
- **Las instalaciones nuevas en circuitos derivados (1996 NEC) para casas rodantes, vehículos recreativos e instalaciones donde los códigos locales no permiten la conexión a tierra a través del cable neutral requieren un cable de estufa listado UL de cuatro conductores o una conexión de conductores de 4 cables.**
- **No modifique el enchufe ni el cable de alimentación. Si el enchufe no entra en el tomacorriente, debe solicitar que un electricista calificado instale un tomacorriente adecuado.**

⚠ ADVERTENCIA

- **No utilice un cable de extensión para conectar con la toma de corriente.**
- **Este dispositivo requiere toma de tierra.**
- **Debe asegurarse de que el cable de alimentación no esté aplastado por la estufa ni objetos pesados.**
 - Ignorar esta advertencia puede causar quemaduras serias o descargas eléctricas.
- **No retire nunca la cubierta de protección de la parte trasera inferior de la estufa.**
 - Ignorar esta advertencia puede causar daños serios al cable de alimentación, quemaduras serias y una descarga eléctrica.
- **El cable medio (neutral o a tierra) de un cable de energía de 3 clavijas o un conducto de 3 clavijas debe conectarse a la posición media del bloque terminal principal. Las dos clavijas restantes del cable de energía o conducto deben estar conectados a las posiciones externas del bloque de conexión terminal principal.**
 - No hacerlo puede provocar una descarga eléctrica, lesiones personales graves o la muerte.
- **Sólo deberá utilizarse un equipo con cable de energía de 4 conductores clasificado 120/240 voltios, 50 amperios y marcado para utilizar con estufas con conectores de bucle cerrado o pernos de pala de extremos abiertos con bordes elevados. La clavija media (neutral) del cable de energía o conducto de 4 clavijas debe conectarse a la posición media del bloque terminal principal. Las otras dos clavijas del cable de energía o conducto deben conectarse a las posiciones externas del bloque de conexión terminal principal. La cuarta clavija a tierra debe conectarse al marco de la estufa con el tornillo a tierra.**
 - No hacerlo puede provocar una descarga eléctrica, lesiones personales graves o la muerte.

⚠ PRECAUCIÓN

- **Durante el procedimiento de instalación deben utilizarse guantes de seguridad.**
 - Si no lo hace, podría sufrir lesiones corporales.
- **Debe asegurarse de que la cobertura de la pared, la encimera y los armarios junto al horno pueden aguantar la temperatura (hasta 90°C) generada por la estufa.**
 - Puede provocarse decoloración, delaminación o derretimiento.
 - Esta estufa ha sido diseñada para cumplir con las temperaturas máximas permitidas de gabinetes de madera de 194°F.
- **Evite colocar gabinetes encima de la estufa.**
- **Debe instalar un extractor para la estufa que se proyecte horizontalmente un mínimo de 13cm por debajo de la parte inferior de los gabinetes.**
 - Hacerlo puede reducirse el riesgo de quemaduras o incendios por inclinarse sobre los elementos de superficie calientes.
- **No debe instalar la estufa en un lugar húmedo. Salpicar la estufa con agua o cualquier otro electrolito puede causar descargas eléctricas.**
- **Debe evitar que se acumule grasa o materiales inflamables dentro o cerca de la estufa.**
 - Ignorar esta advertencia podría causar quemaduras serias.

PREPARACIÓN PARA LA INSTALACIÓN

ANTES DE COMENZAR

Quite todas las cintas y materiales de embalaje antes de usar la estufa.

Elimine todas las bolsas de plástico después de desempacar la estufa. Nunca permita que los niños jueguen con los materiales de empaque.

Puede descargar el manual de instalación en: <http://www.kenmore.com>

⚠️ ADVERTENCIA

- La información de este manual debe seguirse al pie de la letra para evitar riesgos de incendios, descargas eléctricas, daños, lesiones personales, o la muerte.

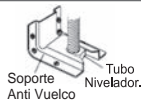
⚠️ ADVERTENCIA

RIESGO DE VOLCAR

Un niño o un adulto pueden volcar el aparato y provocar su muerte. Verifique que el soporte anti vuelco ha sido instalado. Asegúrese que el soporte anti vuelco esté ajustado cuando mueva el aparato. No haga funcionar el aparato sin que el soporte anti vuelco esté ajustado. No seguir estas instrucciones puede ser causa de muerte o graves quemaduras en niños o adultos.



A fin de examinar visualmente que el tubo nivelador posterior está introducido en el soporte, tome la esquina superior posterior del aparato e inclínela con cuidado hacia adelante.



Soporte Anti Vuelco Tubo Nivelador.

⚠️ PRECAUCIÓN

- Durante el procedimiento de instalación deben utilizarse guantes de seguridad.
 - Si no lo hace, podría sufrir lesiones corporales.

Conserve estas instrucciones junto con su manual del usuario para cualquier consulta en el futuro.

- Al igual que cuando se utiliza cualquier artefacto que genera calor, deben seguirse ciertas precauciones de seguridad.
- Cerciórese de que su estufa sea instalada y conectada a tierra correctamente por un instalador o técnico de servicio calificado.
- Cerciórese de que todos los adornos o recubrimientos de la pared que están alrededor de la estufa tienen la capacidad de resistir el calor generado por la misma.
- Se debe evitar el uso de gabinetes de almacenamiento encima de la estufa para no tener que alcanzarlos por encima de los elementos de cocción.

📌 NOTA

- Antes de instalar la estufa lea todas las instrucciones incluidas en el manual de instalación.
- Quite toda la cinta y los materiales de empaque del horno.
- Cumpla con todos los códigos y ordenanzas vigentes.
- Siempre deje estas instrucciones con el consumidor.
- Elimine todas las bolsas de plástico después de desempacar la estufa. Nunca permita que los niños jueguen con los materiales de empaque.
- Puede descargar el manual de instalación en: <http://www.kenmore.com>

HERRAMIENTAS NECESARIAS



Destornillador Phillips



Nivel



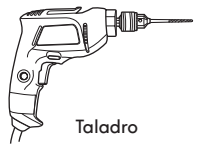
Destornillador de hoja plana



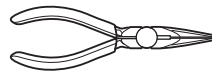
Llave de tuercas ajustable



Llave de caja de 1/4"



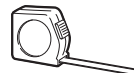
Taladro



Alicates



Gafas protectoras



Cinta métrica

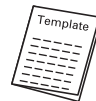


Guantes

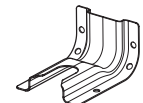


Lápiz

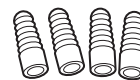
PIEZAS PROVISTAS



Plantilla (1)



Juego de soporte anti vuelco (1)



Manguitos de anclaje (4)



Pernos de fijación (4)

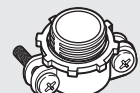
(Solamente cuando se instala el soporte anti vuelco en pisos de concreto)

PIEZAS NO PROVISTAS



(Aprobado por la UL para 40 O 50 AMPS)

Cable de 4 alambres o de 3 alambres



Tensor de alivio

(Solamente para instalaciones con conducto portacables)

DIMENSIONES Y ESPACIOS

NOTA

GUÁRDELO PARA EL USO DEL INSPECTOR LOCAL DE INSTALACIONES ELÉCTRICAS.

Si se va a instalar en **CANADÁ**, una estufa autónoma no podrá instalarse a menos de $15/32$ (12mm) de cualquier superficie adyacente.

ADVERTENCIA

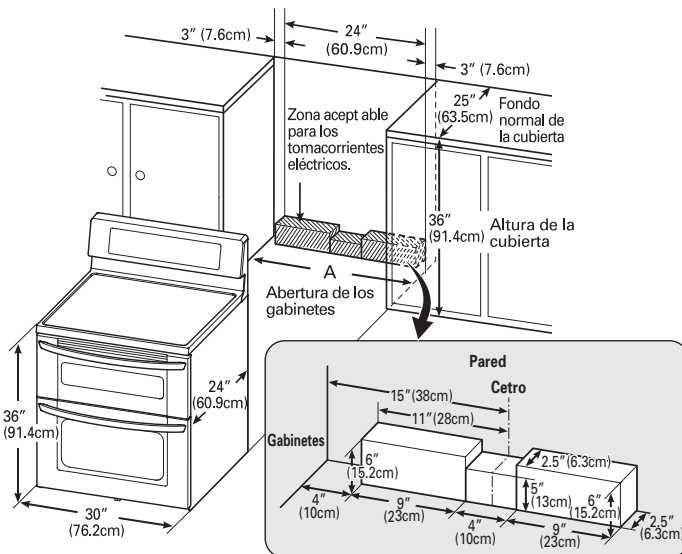
- Para la instalación o para mover el horno, son necesarias dos personas. (Riesgo de peso excesivo)
 - Ignorar esta advertencia puede causar daños en la espalda u otros daños.
- No utilice las manijas del horno para empujar la estufa, moverla o tirar de ella.
 - Ignorar esta advertencia puede causar daños serios en la puerta del horno.

PRECAUCIÓN

- Debe asegurarse de que la cobertura de la pared, la encimera y los armarios junto al horno pueden aguantar la temperatura (hasta 90°C) generada por la estufa.
 - Puede provocarse decoloración, delaminación o derretimiento.
 - Esta estufa ha sido diseñada para cumplir con las temperaturas máximas permitidas de gabinetes de madera de 194°F.

PRECAUCIÓN

- Evite instalar armarios directamente sobre la estufa.
- Si hay armarios instalados sobre la estufa, coloque una campana de estufa que se proyecte en forma horizontal un mínimo de 5 pulgadas por fuera de la parte inferior de los armarios.
 - Al hacerlo, reducirá el riesgo de quemaduras o incendios causados al estirarse por encima de los elementos de superficie caliente de la superficie.



A = 30" (76.2 cm) Para EE.UU.
 = 30" a 31" (76.2 a 78.7 cm) Para CANADÁ

FIGURA 1

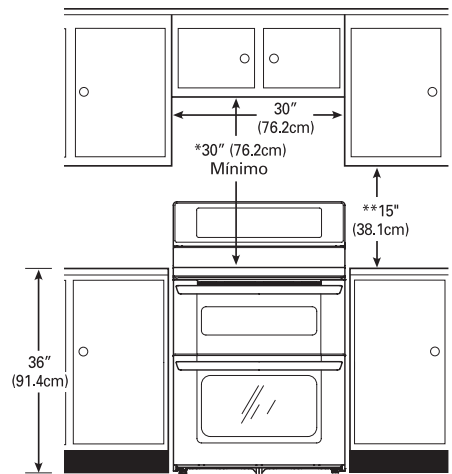


FIGURA 2

DIMENSIONES MÍNIMAS (Figura 2)

- * 30" (76.2 cm) de holgura mínima entre la cubierta de la placa de cocción y la base de un gabinete de madera o de metal sin protección; o 24" (60.9 cm) como mínimo cuando la parte inferior de un gabinete de madera o de metal está protegida por una capa de $1/4$ " (6.4 mm) de cartón gris resistente al fuego y recubierta cuando menos con lámina de acero no. 28 MSG, 0.015" (0.381 mm) de acero inoxidable, 0.024" (0.610 mm) de aluminio o 0.020" (0.508 mm) de cobre.
- ** 15" (38.1 cm) como mínimo entre la cubierta de los gabinetes y la parte inferior del gabinete adyacente.

CONEXIONES ELÉCTRICAS

REQUISITOS DE LAS CONEXIONES ELÉCTRICAS

Este artefacto deberá instalarse y conectarse a tierra en un circuito de red por un técnico certificado, de acuerdo con la edición más reciente del código de la National Electrical ANSI/NFPA NO. 70

Todo el alambrado deberá conformarse a Local y NEC. Esta estufa requiere de un sistema eléctrico monofásico, de 3 alambres, 120/208 V C.A. o 120/240 V 60Hz. Use solamente un cable de 3 o 4 alambres para estufa reconocido por la UL, con terminales de ojillo cerrado, lengüetas de pala con extremos doblados o terminales parecidas. NO instale el cable de alimentación sin un protector.

Es necesario un cable para estufa con capacidad nominal de 120/240 V a 40 amps. Si se llegara a usar un cable de estufa de 50 amps., deberá estar marcado como para ser utilizado en aberturas de conexión de 13.8" (3.5 cm) de diámetro.

Este artefacto puede conectarse usando un conductor de cable o cable de alimentación. Si se utilizan conductos portables, consulte la página 20. **Conexiones de conductos portables con 3 alambres** o la página 21 para las **conexiones de conductos portables con 4 conductores**.

⚠️ ADVERTENCIA

- Las instalaciones nuevas en circuitos derivados (1996 NEC) para casas rodantes, vehículos recreativos e instalaciones donde los códigos locales no permiten la conexión a tierra a través del cable neutral requieren un cable de estufa listado UL de cuatro conductores o una conexión de conductores de 4 cables.
- No debe modificarse el cable de alimentación ni el enchufe. Si no se ajusta a la toma de corriente, haga que un electricista calificado instale una toma adecuada.
- No utilice un cable de extensión para conectarlo a una toma de corriente. Conecte el cable de alimentación y el enchufe directamente.
- Este dispositivo requiere toma de tierra.
- Debe asegurarse de que el cable de alimentación no está aplastado por la estufa ni objetos pesados.
 - Ignorar esta advertencia puede causar quemaduras serias o descargas eléctricas.

Clasificación nominal especificada para el juego del cable de alimentación				
Capacidad nominal de la estufa. Vatios		Clasificación nominal especificada para el juego de cable de alimentación, amperios	Diámetro (en pulgadas) de la abertura de conexión de la estufa	
120/240 voltios 3 alambres	120/208 voltios 3 alambres		Cable de alimentación	Conducto portables
8,750 - 16,500	7,801 - 12,500	40 o 50 A	1 3/8"	1 1/8"
16,501 - 22,500	12,501 - 18,500	50	1 3/4"	1 3/8"

3, Tipos de tomacorriente de pared de 4 alambres.

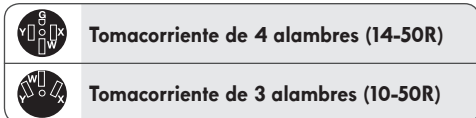


FIGURA 3

CÓMO CONECTAR EL CABLE DE LA ESTUFA

⚠️ ADVERTENCIA

- No ponga en funcionamiento la estufa sin que la cubierta protectora de la parte trasera del horno inferior esté en su lugar.
 - Hacerlo puede causar graves daños al cable de alimentación, lo que puede generar quemaduras graves o descargas eléctricas.

Debe quitarse la cubierta de acceso posterior. Use un destornillador para aflojar los tres tornillos. Entonces se podrá tener acceso a un bloque de terminales.

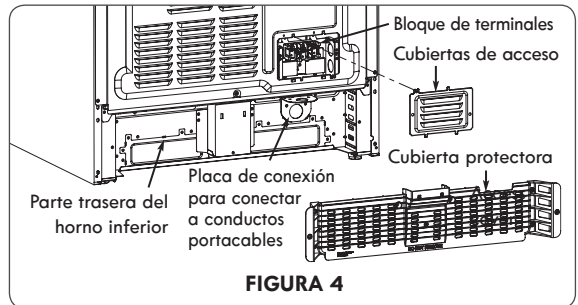


FIGURA 4

Utilice la placa de conexión del cable/conducto para instalar el cable de alimentación o el conducto. Deje la placa de conexión según estaba instalada, para las instalaciones del cable de alimentación. Retire la placa de conexión para las instalaciones de conductos y utilice el orificio para conducto más pequeño de 1 1/8 pulgadas (2,8 cm), en lugar del orificio para cable de alimentación de 1 3/8 pulgadas (3,5 cm).

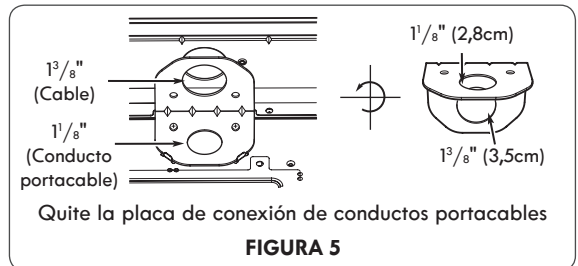


FIGURA 5

Quite la placa de conexión de conductos portables

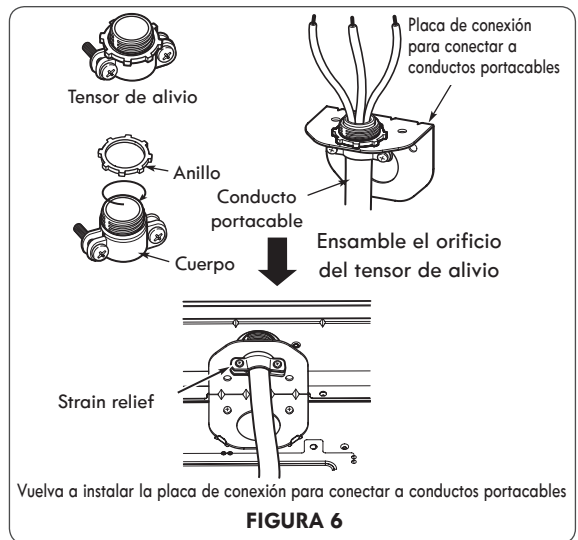


FIGURA 6

Vuelva a instalar la placa de conexión para conectar a conductos portables

CONEXIÓN DE 3 ALAMBRES CON UN CABLE DE ALIMENTACIÓN

⚠ ADVERTENCIA

- El cable medio (neutral o a tierra) de un cable de energía de 3 clavijas o un conducto de 3 clavijas debe conectarse a la posición media del bloque terminal principal. Las dos clavijas restantes del cable de energía o conducto deben estar conectados a las posiciones externas del bloque de conexión terminal principal.
- No hacerlo puede provocar una descarga eléctrica, lesiones personales graves o la muerte.

Instale el cable de alimentación como sigue:

Para las instalaciones del cable de alimentación, enganche el tensor de alivio al orificio del cable de alimentación ($1\frac{3}{8}$ "(3.5 cm)) ubicado debajo de la parte posterior del horno inferior. Inserte el cable de alimentación a través del tensor de alivio y apriételo. (Consulte la Figura 7.)

NO instale el cable de alimentación sin un protector.

1. Quite los tres tornillos inferiores del bloque de terminales y consérvelos. (Ver Figura 8).
2. Introduzca los 3 tornillos a través del anillo de cada terminal del cable de energía y dentro de las terminales inferiores del bloque de terminales. Verifique que el cable central (blanco/neutral) esté conectado en la posición inferior central del bloque de terminales.
3. Ajuste bien los 3 tornillos al bloque de terminales.
No retire las conexiones de descarga a tierra.
4. Diríjase a la página 22.

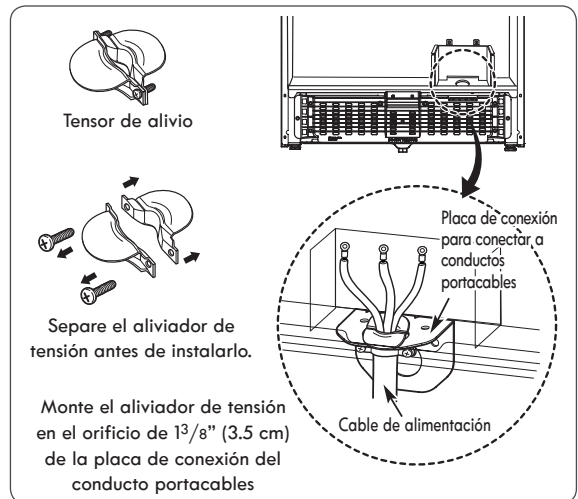


FIGURA 7

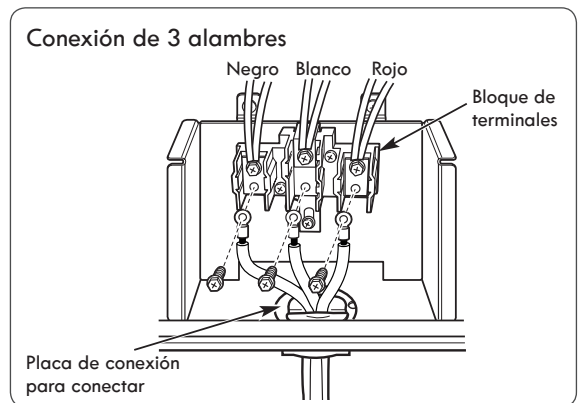


FIGURA 8

CONEXIÓN DE 4 ALAMBRES CON UN CABLE DE ALIMENTACIÓN

⚠️ ADVERTENCIA

- Sólo deberá utilizarse un equipo con cable de energía de 4 conductores clasificado 120/240 voltios, 50 amperios y marcado para utilizar con estufas con conectores de bucle cerrado o pernos de pala de extremos abiertos con bordes elevados. La clavija media (neutral) del cable de energía o conducto de 4 clavijas debe conectarse a la posición media del bloque terminal principal. Las otras dos clavijas del cable de energía o conducto deben conectarse a las posiciones externas del bloque de conexión terminal principal. La cuarta clavija a tierra debe conectarse al marco de la estufa con el tornillo a tierra.
- No hacerlo puede provocar una descarga eléctrica, lesiones personales graves o la muerte.

Para instalar correctamente el tensor de alivio, siga las instrucciones "CÓMO CONECTAR EL CABLE DE LA ESTUFA" en la página 18.

- Quite los tres tornillos inferiores del bloque de terminales y consérvelos. (Ver Figura 9).
- Retire el tornillo de conexión a tierra y doble el extremo de la correa de conexión a tierra, para que la ranura quede sobre el orificio del tornillo central que retiró en el paso 1.
- Introduzca el tornillo a tierra en el anillo de terminal de tierra del cable de energía y fíjelo al marco.
- Introduzca los 3 tornillos a través de los anillos de las terminales del cable de energía y dentro de las terminales inferiores del bloque de terminales. Verifique que el cable central (blanco/neutral) esté conectado en la posición inferior central del bloque de terminales. Ajuste los 3 tornillos de manera segura al bloque de terminales. El tornillo central ahora fija la correa de conexión a tierra, plegada hacia arriba, al bloque.
- Diríjase a la página 22.

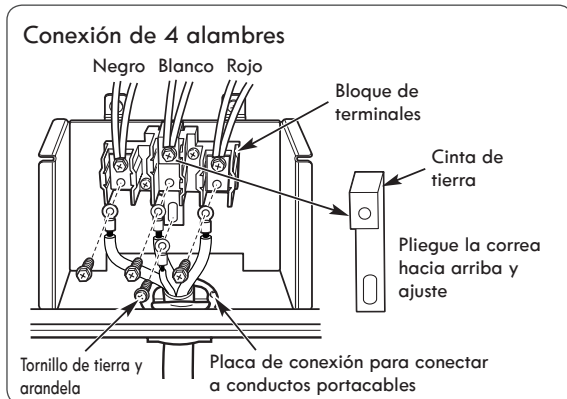


FIGURA 9

CONEXIÓN DE 3 ALAMBRES: CONDUCTO PORTACABLES

Instale el conducto portacables de la manera siguiente:

Quite la placa de conexión de conductos portables de la parte posterior del horno inferior y de vuelta como se muestra en la figura 5. Debe usarse el orificio de conducto portacables (1 1/8" (2.8 cm)).

En primer término, prepare los cables del conducto como puede verse en la Figura 10.

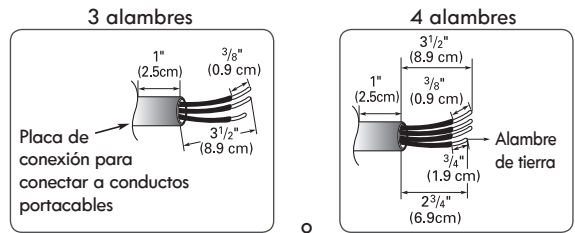


FIGURA 10

En segundo lugar, instale el portacables del conducto, como se muestra en la Figura 6.

Para instalaciones de conductos, adquiera un portacables e insértelo en el orificio correspondiente de 1 1/8 pulgadas (2.8 cm). Luego, instale el conducto a través del cuerpo del portacables y ajústelo con su anillo. Vuelva a instalar el soporte.

Para la conexión de conductos portables :

Si el cable del conducto es cobre, la conexión eléctrica debe ser de 8 o 10 AWG.

Si el cable del conducto es aluminio, la conexión eléctrica debe ser de 6 o 8 AWG.

- Afloje los 3 tornillos inferiores del bloque de terminales. (Ver Figura 11).
- Introduzca el extremo del cable desnudo (blanco/neutral) a través del centro del orificio del bloque de terminales.
- No quite las conexiones de descarga a tierra.** Introduzca los dos extremos de cable desnudo en los orificios del bloque de terminales izquierdo y derecho. Ajuste bien los 3 tornillos en el bloque de terminales (aproximadamente 35 - 50 pul/lb)
- Diríjase a la página 22.

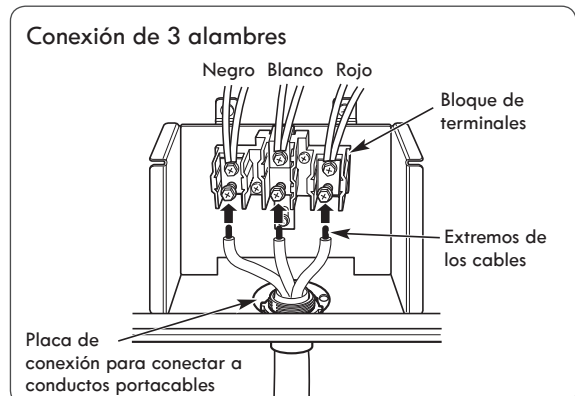


FIGURA 11

CONEXIÓN DE 4 ALAMBRES: CONDUCTO PORTACABLES

⚠ ADVERTENCIA

- El hilo medio (neutro) del cable de alimentación o conducto de 4 hilos se debe conectar al poste medio del bloque de terminales principal. Los otros dos hilos del cable de alimentación o del conducto se deben conectar a los postes exteriores del bloque de terminales principal. El cuarto cable a tierra (verde) se debe conectar al marco de la estufa con el tornillo de conexión a tierra.
 - El no hacerlo podría causar lesiones personales graves, descargas eléctricas o la muerte.

1. Siga las instrucciones de "Instale el conducto portacables de la manera siguiente" de la página 20 para instalar el aliviador de tensión de manera correcta.
NO instale el conducto sin un protector. No descarte ningún tornillo.
2. Afloje los 2 tornillos inferiores izquierdo y derecho del bloque de terminales. (Ver Figura 12).
Quite los 2 tornillos centrales inferiores.
3. **Retire el tornillo de conexión a tierra y doble el extremo de la correa de conexión a tierra, para que la ranura quede sobre el orificio del tornillo central que retiró en el paso 2.**
4. Conecte el extremo del cable desnudo con conexión a tierra al marco y asegúrelo en su lugar con el tornillo a tierra. (Ver Figura 12).
5. Introduzca el extremo del cable desnudo (blanco/neutral) a través del orificio central del bloque de terminales. El tornillo central ahora fija la correa de conexión a tierra, plegada hacia arriba, al bloque.
6. Introduzca los dos extremos de cable desnudo en los orificios del bloque de terminales izquierdo y derecho. Ajuste bien los 3 tornillos en el bloque de terminales (aproximadamente 35 - 50 pul./lb).
7. Diríjase a la página 22.

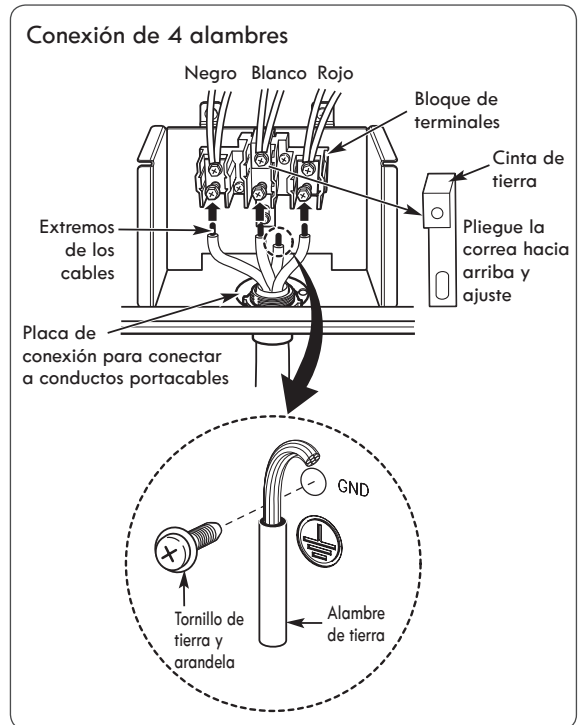
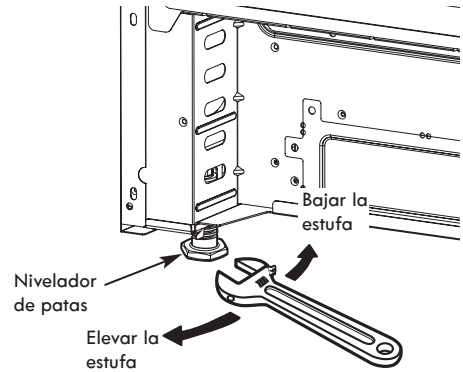
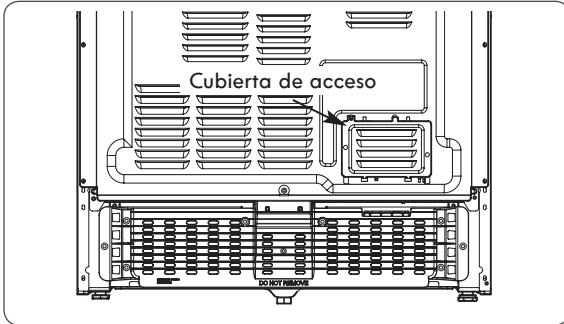


FIGURA 12

CÓMO INSTALAR LA ESTUFA

Vuelva a colocar la cubierta de acceso en la parte posterior de la estufa. Para cambiar la cubierta del cable, inserte las dos pestañas en las aberturas situadas bajo la puerta y apriete los tres tornillos.



Utilice un nivel para comprobar los ajustes. Coloque el nivel diagonalmente sobre la rejilla del horno y compruebe el nivelado en todas las direcciones.

INSTALACIÓN DEL SOPORTE ANTI VUELCO

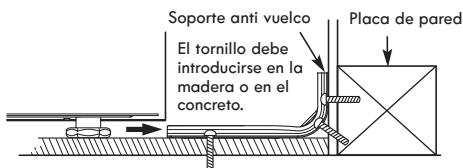
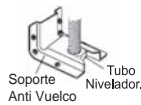
⚠ ADVERTENCIA

RIESGO DE VOLCAR

Un niño o un adulto pueden volcar el aparato y provocar su muerte. Verifique que el soporte anti vuelco ha sido instalado. Asegúrese que el soporte anti vuelco esté ajustado cuando mueva el aparato. No haga funcionar el aparato sin que el soporte anti vuelco esté ajustado. No seguir estas instrucciones puede ser causa de muerte o graves quemaduras en niños o adultos.



A fin de examinar visualmente que el tubo nivelador posterior está introducido en el soporte, tome la esquina superior posterior del aparato e inclínala con cuidado hacia adelante.



1. Ubique el soporte utilizando la plantilla.

La plantilla viene empacada con cada soporte anti vuelco. Las instrucciones incluyen la información necesaria para llevar a buen término la instalación. Lea y obedezca el contenido de la hoja de instrucciones (plantilla) de la estufa.

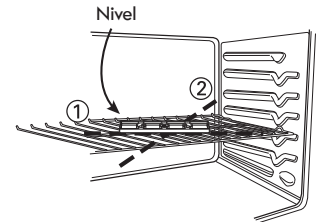
2. Nivele la estufa

Nivele la estufa ajustando las patas niveladoras con una llave de tuerca. Si extiende las patas ligeramente, podría ser más fácil insertar la pata trasera en el soporte anti vuelco.

Primero verifique la dirección ①.

Después verifique la dirección ②.

Si el nivel no muestra que la parrilla está nivelada, ajuste las patas niveladoras con una llave de tuerca.



INSTALACIÓN FINAL

- Acerque la estufa lo suficiente a la abertura para poder enchufarla en el tomacorriente.
- Deslice la estufa en posición asegurándose de que la pata trasera izquierda se desliza bajo el soporte anti vuelco. Cuando esté instalada correctamente, la estufa debe descansar plano contra la pared posterior.
- Intente volcar con cuidado la estufa hacia adelante para asegurarse de que el soporte anti vuelco está bien colocado. Si se ha instalado adecuadamente, el soporte anti vuelco impedirá que la estufa pueda volcarse hacia adelante.
Si la estufa puede inclinarse, vuelva a colocar la estufa hasta que el soporte este debidamente colocado y la estufa no se incline hacia adelante.
- Encienda la alimentación de energía eléctrica. Verifique que la estufa está orientada correctamente tal como se describe en el manual del propietario.

PRUEBA DE FUNCIONAMIENTO

Verifique que la estufa esté bien instalada y realice un ciclo de prueba.

1. Presione **Clear/Off** para iniciar la prueba.
2. Configure los elementos de superficie caliente en Hi (alto) para verificar que los elementos de superficie caliente funcionen correctamente. Los elementos de superficie caliente deben emitir un brillo rojo e irradiar calor y deben cumplir el ciclo de encendido y apagado periódicamente, incluso cuando estén configuradas en la posición Hi (alto). Este ciclo evita que la vitrocerámica se quiebre debido al choque térmico.

IMPORTANTE: La zona de calentamiento no consume energía suficiente como para emitir un brillo rojo.

3. Luego de revisar todos los elementos de superficie caliente, verifique el sistema de bloqueo tocando el botón Start (Inicio) durante tres segundos. La puerta del horno debe bloquearse y la placa de cocción no debe funcionar mientras que la función Lockout (Bloqueo) está encendida. Presione el botón Start (Inicio) durante tres segundos para desactivar el bloqueo.
4. Ahora verifique el funcionamiento del horno. Presione Bake (Hornear) y presione las teclas numéricas para configurar la temperatura del horno superior a 350 °F. Repita el procedimiento para el horno inferior.
5. El horno debe terminar de precalentarse en 15 minutos y el ventilador de convección debe funcionar mientras el horno se está precalentando.
6. Después de controlar el funcionamiento del horno, suba la temperatura a 450 °F y deje el horno encendido durante una hora, como mínimo, para ayudar a remover cualquier resto de aceite que pudiera causar humo y olores al usar el horno por primera vez.

NOTA

Cuando la estufa se usa por primera vez, podría salir humo.

Kenmore®

For Sears Home Services in-home repair
of all Kenmore major appliances.

For the replacement parts, accessories and
Use & Care Guides that you need to do-it-yourself.
For professional installation of major home appliances
and items like air conditioners and water heaters.

1-844-553-6667

www.kenmore.com

In Canada 1-800-469-4663

www.sears.ca

Call anytime for the location of your nearest
Sears Parts & Repair Service Center

1-800-488-1222 (U.S.A.)

1-800-469-4663 (Canada)

To purchase a protection agreement on a serviceable product:

1-800-827-6655 (U.S.A.)

1-800-361-6665 (Canada)

Para pedir servicio de reparación
a domicilio, y ordenar piezas:

1-888-SU-HOGAR®

(1-888-784-6427)

www.kenmore.com

Au Canada pour service en français:

1-800-LE-FOYER^{MC}

(1-800-533-6937)

www.sears.ca



Universal Keywords: Div22 Src721 LG LGE Mechtech

Document Specific Keywords: Installation Instructions

Date: 110816

Document Name: MFL69645901in

Subject: LG Electric Range 721.9604 Installation Instructions

Models: 721.96047610 721.96043610 72196047610 72196043610 MFL69645901

Free Manuals Download Website

<http://myh66.com>

<http://usermanuals.us>

<http://www.somanuals.com>

<http://www.4manuals.cc>

<http://www.manual-lib.com>

<http://www.404manual.com>

<http://www.luxmanual.com>

<http://aubethermostatmanual.com>

Golf course search by state

<http://golfingnear.com>

Email search by domain

<http://emailbydomain.com>

Auto manuals search

<http://auto.somanuals.com>

TV manuals search

<http://tv.somanuals.com>