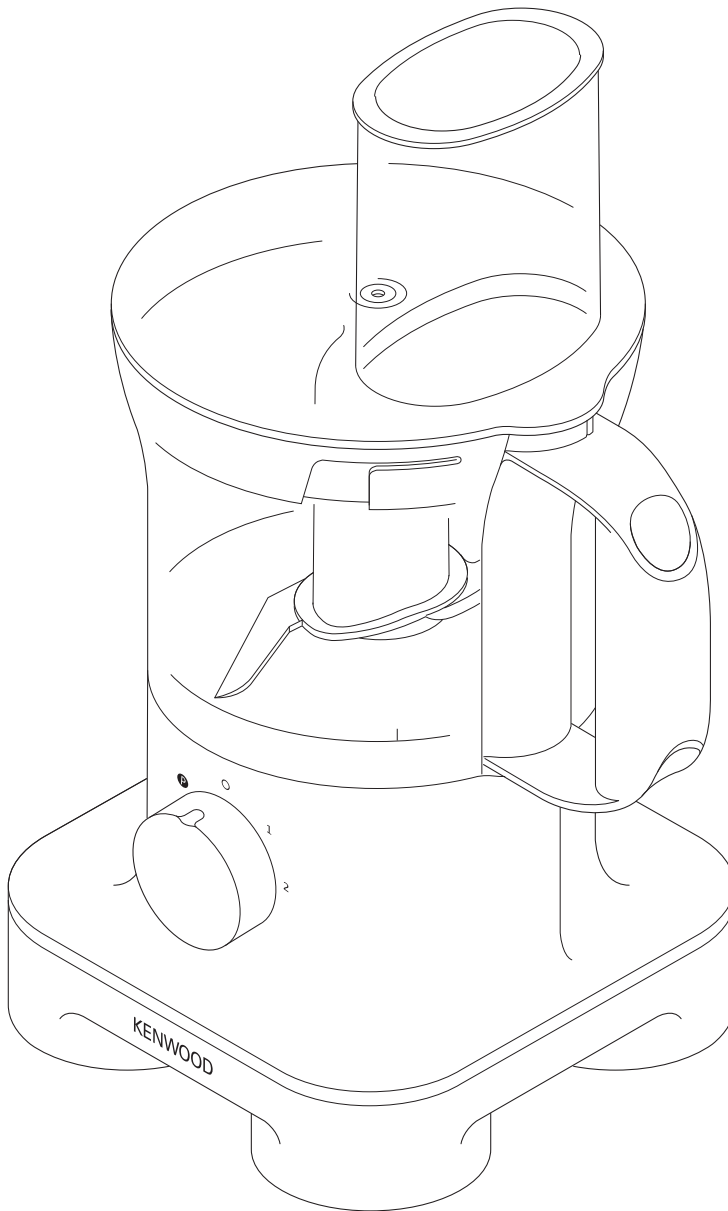
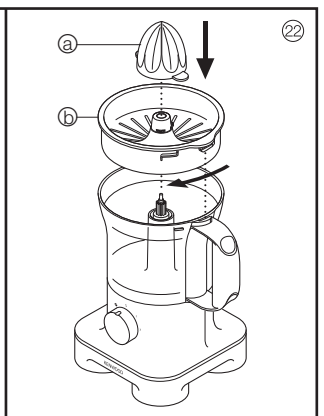
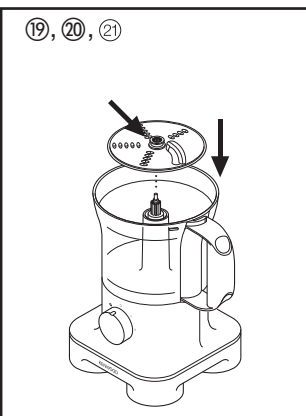
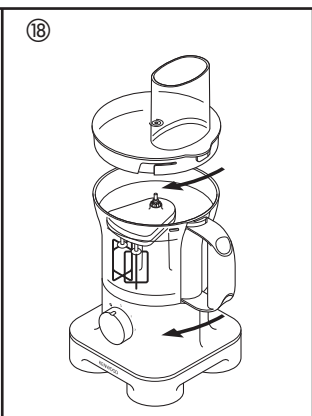
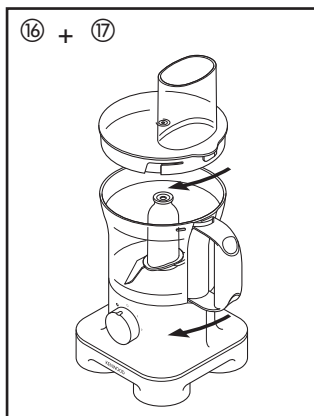
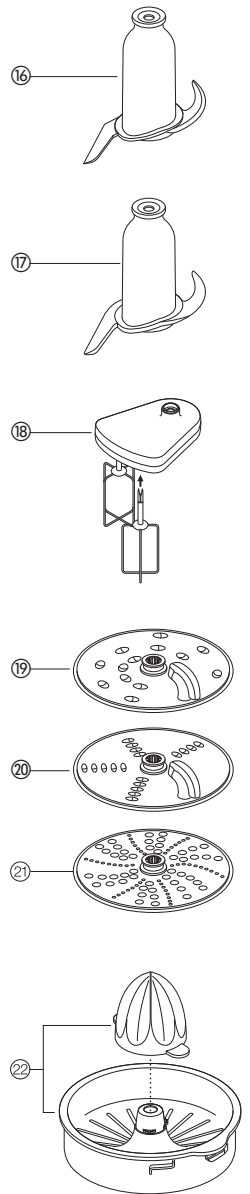
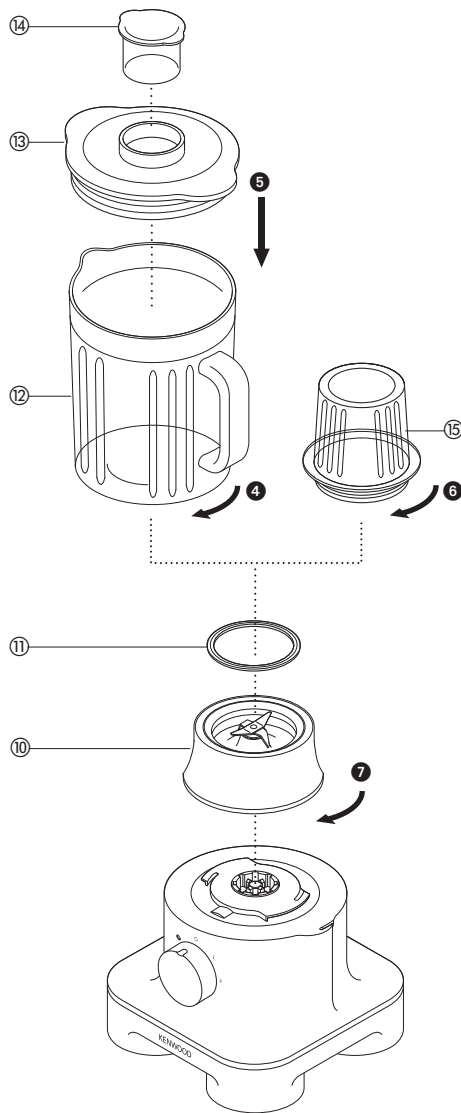
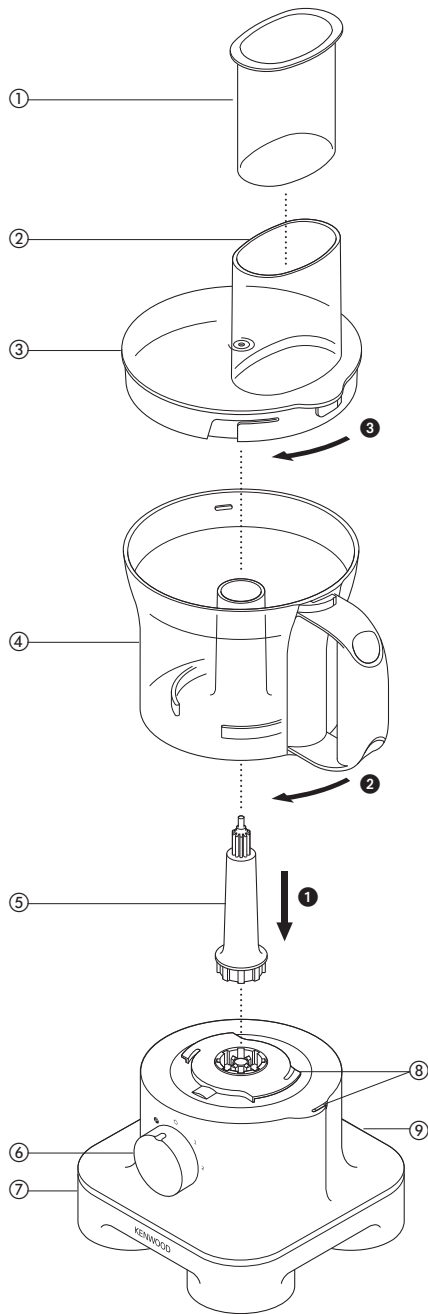


KENWOOD



FP260 series



before using your Kenwood appliance

- Read these instructions carefully and retain for future reference.
- Remove all packaging and any labels.

safety

- The blades and discs are very sharp, handle with care. **Always hold the knife blade by the finger grip at the top, away from the cutting edge, both when handling and cleaning.**
- Always remove the knife blade before pouring contents from the bowl.
- Keep hands and utensils out of the processor bowl and liquidiser goblet whilst connected to the power supply.
- Switch off and unplug:-
 - before fitting or removing parts;
 - when not in use;
 - before cleaning.
- Never use your fingers to push food down the feed tube. Always use the pusher/s supplied.
- Before removing the lid from the bowl or liquidiser/mill from the power unit:-
 - switch off;
 - wait until the attachment/blades have completely stopped;
 - be careful not to unscrew the liquidiser goblet or mill jar from the blade assembly.
- Liquids should be allowed to cool to room temperature before blending.
- Do not use the lid to operate the processor, always use the on/off speed control.
- **This machine will be damaged and may cause injury if the interlock mechanism is subjected to excessive force.**
- Never use an unauthorised attachment.
- Never leave the appliance unattended when it is operating.
- Never use a damaged appliance. Get it checked or repaired: see 'service and customer care'.
- Never let the power unit, cord or plug get wet.
- Don't let excess cord hang over the edge of a table or worktop or touch hot surfaces.
- Do not exceed the maximum capacities stated in the recommended speed chart.
- This appliance is not intended for use by persons (including children) with reduced physical, sensory or mental capabilities, or lack of experience and knowledge, unless they have been given supervision or instruction concerning use of the appliance by a person responsible for their safety.
- Children should be supervised to ensure that they do not play with the appliance.
- Only use the appliance for its intended domestic use. Kenwood will not accept any liability if the appliance is subject to improper use, or failure to comply with these instructions.
- Misuse of your processor/liquidiser can result in injury.

Refer to the relevant section under "using the attachments" for additional safety warnings for each individual attachment.

before plugging in

- Make sure your electricity supply is the same as the one shown on the underside of your machine.

Important – UK only

- The wires in the cord are coloured as follows:
Green and Yellow = Earth,
Blue = Neutral,
Brown = Live.
- The appliance must be protected by a 13A approved (BS1362) fuse.
- **WARNING: THIS APPLIANCE MUST BE EARTHED. Note:**
- For non-rewireable plugs the fuse cover **MUST** be refitted when replacing the fuse. If the fuse cover is lost then the plug must not be used until a replacement can be obtained. The correct fuse cover is identified by colour and a replacement may be obtained from your Kenwood Authorised Repairer (see Service).
- If a non-rewireable plug is cut off it must be DESTROYED IMMEDIATELY. An electric shock hazard may arise if an unwanted non-rewireable plug is inadvertently inserted into a 13A socket outlet.
- This appliance conforms to EC directive 2004/108/EC on Electromagnetic Compatibility and EC regulation no. 1935/2004 of 27/10/2004 on materials intended for contact with food.

before using for the first time

- 1 Remove all packaging including the plastic blade covers from the knife blade. **Take care the blades are very sharp.** These covers should be discarded as they are to protect the blade during manufacture and transit only.
- 2 Wash the parts see 'cleaning'
- 3 Push excess cord into the back of the machine.

key

processor

- ① pusher
- ② feed tube
- ③ lid
- ④ bowl
- ⑤ detachable drive shaft
- ⑥ speed + pulse control
- ⑦ power unit
- ⑧ safety interlock
- ⑨ cord storage

glass liquidiser

- ⑩ blade unit
- ⑪ sealing ring
- ⑫ goblet
- ⑬ lid
- ⑭ filler cap

glass mill

- ⑮ jar

attachments

- ⑯ knife blade
- ⑰ dough tool
- ⑱ twin beater geared whisk
- ⑲ thick slicing/coarse shredding disc
- ⑳ thin slicing/fine shredding disc
- ㉑ rasping disc
- ㉒ geared citrus press (if supplied)

to use your food processor

- 1 Fit the detachable shaft onto the power unit ①.
- 2 Then fit the bowl. Place the handle towards the back and turn clockwise until it locks ②.
- 3 Fit an attachment over the drive shaft.
 - Always fit the bowl and attachment onto the machine before adding ingredients.
- 4 Fit the lid ③ - ensuring the top of the drive shaft locates into the centre of the lid.
 - **Do not use the lid to operate the processor, always use the on/off speed control.**
- 5 Switch on and select a speed.
 - **The processor won't work if the bowl and lid are fitted incorrectly.**
 - Use the pulse control for short bursts. The pulse will operate as long as the control is held in position.
- 6 Reverse the above procedure to remove the lid, attachments and bowl.
 - **Always switch off before removing the lid.**

important

- Your processor bowl is not suitable for crushing or grinding coffee beans, or converting granulated sugar to caster sugar.
- When adding almond essence or flavouring to mixtures avoid contact with the plastic as this may result in permanent marking.

to use your liquidiser

- 1 Fit the sealing ring ⑪ into the blade unit ⑩ - ensuring the seal is located correctly. **Leaking will occur if the seal is damaged or not fitted correctly.**
- 2 Screw the goblet onto the blade assembly ④.
 - **The liquidiser will not work if incorrectly assembled.**
- 3 Put your ingredients into the jug.
- 4 Fit the lid to the goblet and push down to secure ⑤. Fit the filler cap.
- 5 Place the liquidiser onto the power unit and turn clockwise to lock ⑦.
- 6 Select a speed or use the pulse control.

safety

- **Liquids should be allowed to cool to room temperature before blending.**
- Always take care when handling the blade assembly and avoid touching the cutting edge of the blades when cleaning.
- Only operate the liquidiser with the lid in place.
- Only use the goblet with the blade assembly supplied.
- Never run the liquidiser empty.
- To ensure the long life of your liquidiser, do not run it for longer than 60 seconds.
- Smoothie recipes - never blend frozen ingredients that have formed a solid mass during freezing, break it up before adding to the goblet.

hints

- When making mayonnaise, put all the ingredients, except the oil, into the liquidiser. Remove the filler cap. Then, with the appliance running, add the oil slowly through the hole in the lid.
- Thick mixtures, e.g. pâtés and dips, may need scraping down. If the mixture is difficult to process, add more liquid.
- Ice crushing - operate the pulse in short bursts until crushed to the desired consistency.
- The processing of spices is not recommended as they may damage the plastic parts.
- The appliance will not work if the liquidiser is incorrectly fitted.
- To blend dry ingredients - cut into pieces, remove the filler cap, then with the appliance running, drop the pieces down one by one. Keep your hand over the opening. For best results empty regularly.
- Don't use the liquidiser as a storage container. Keep it empty before and after use.
- Never blend more than 1.2 litres - less for frothy liquids like milkshakes.

to use your mill

Use the mill for milling herbs, nuts and coffee beans.

- 1 Put the ingredients into the jar ⑤.
- 2 Fit the sealing ring ⑩ into the blade unit ⑨.
- 3 Turn the blade unit upside down. Lower it into the jar, blades down.
- 4 Screw the blade unit onto the jar until finger tight ⑥.
- 5 Place the mill onto the power unit and turn clockwise to lock ⑦.
- 6 Switch onto maximum speed or use the pulse control.

safety

- Never fit the blade unit to your food processor without the jar fitted.
- Never unscrew the jar while the mill is fitted to your appliance.
- Do not touch the sharp blades – Keep the blade unit away from children.

- Never remove the mill until the blades have completely stopped.
- To ensure the long life of your mill, never run for longer than 30 seconds. Switch off as soon as you have got the right consistency.
- The processing of spices is not recommended as they may damage the plastic parts.
- The appliance will not work if the mill is incorrectly fitted.
- Use for dry ingredients only.

hints

Herbs are best milled when clean and dry.

recommended speed chart

tool/attachment	function	speed	maximum capacities
knife blade	Cake making	1 – 2	1Kg/2lb 4oz total weight
	Rubbing fat into flour	2	250g/9oz flour weight
	Adding water to combine pastry ingredients	1 – 2	
	Chopping & pureeing	2	400g/14oz chopping lean meat total weight
	Thick soup mixes (500mls liquid to 500g dry ingredients) Thinner soup mixes/milk	1 – 2	1 litre 600 ml
dough tool	yeasted mixes	2	340g/12oz flour weight
whisk	Egg whites	2	4
	Cream	1 – 2	250 ml
discs - slicing/shredding	Firm food items such as carrots, hard cheeses	2	–
	Softer items such as cucumbers, tomatoes	1	–
rasping disc	Parmesan cheese, Potato for German potato dumplings	2	–
citrus press	Citrus fruits	1	–
liquidiser	All processing	2	1.2 litres
mill	Herbs	2	10g
	Nuts and Coffee Beans	2	50g

using the attachments

see chart above for speed of each attachment.

⑩ knife blade/⑪ dough tool

The knife blade is the most versatile of all the attachments. The length of the processing time will determine the texture achieved. For coarser textures use the pulse control.

Use the knife blade for cake and pastry making, chopping raw and cooked meat, vegetables, nuts, pate, dips, pureeing soups and to also make crumbs from biscuits and bread.

Use the dough tool for yeasted mixes.

hints

knife blade

- Cut food such as meat, bread, vegetables into cubes approximately 2cm/3/4in before processing.
- Biscuits should be broken into pieces and added down the feed tube whilst the machine is running.
- When making pastry use fat straight from the fridge cut into 2cm/3/4in.cubes.
- Take care not to over-process.

dough tool

- Place the dry ingredients in the bowl and add the liquid down the feed tube whilst the machine is running. Process until a smooth elastic ball of dough is formed this will take 60 secs.
- Re-knead by hand only. Re-kneading in the bowl is not recommended as it may cause the processor to become unstable.

⑫ twin beater geared whisk

Use for light mixtures only eg egg whites, cream, evaporated milk and for whisking eggs and sugar for fatless sponges. Heavier mixtures such as fat and flour will damage it.

using the whisk

- 1 Fit the drive shaft and bowl onto the power unit.
- 2 Push each beater securely into the drive head.
- 3 Fit the whisk by carefully turning until it drops over the drive shaft.
- 4 Add the ingredients.
- 5 Fit the lid - ensuring the end of the shaft locates into the centre of the lid.
- 6 Switch on.

important

- **The whisk is not suitable for making one-stage cakes or creaming fat and sugar as these mixes will damage it. Always use the knife blade for cake making.**

hints

- Best results are obtained when the eggs are at room temperature.
- Ensure the bowl and whisks are clean and free from grease before whisking.

slicing/shredding discs

To use the discs.

reversible slicing/shredding discs - thick ⑬, thin ⑭

Use the shredding side for cheese, carrots, potatoes and foods of a similar texture.

Use the slicing side for cheese, carrots, potatoes, cabbage, cucumber, courgette, beetroot and onions.

rasping disc ⑮

Grates Parmesan cheese and potatoes for German potato dumplings.

safety

- **Never remove the lid until the cutting disc has completely stopped.**
- **Handle the cutting discs with care - they are extremely sharp**

to use the cutting discs

- 1 Fit the drive shaft and bowl onto the power unit.
- 2 Holding by the centre grip, place the disc onto the drive shaft with the appropriate side uppermost.
- 3 Fit the lid.
- 4 Put the food in the feed tube.
- 5 Switch on and push down evenly with the pusher - **never put your fingers in the feed tube.**

hints

- Use fresh ingredients
- Don't cut food too small. Fill the width of the feed tube fairly full. This prevents the food from slipping sideways during processing.
- Food placed upright comes out shorter than food placed horizontal.
- There will always be a small amount of waste on the disc or in the bowl after processing.

⑯ citrus press (if supplied)

Use the citrus press to squeeze the juice from citrus fruits (eg oranges, lemons, limes and grapefruits).

- ⑰ cone
- ⑱ sieve


to use the citrus press

- 1 Fit the drive shaft and bowl onto the power unit.
 - 2 Fit the sieve into the bowl - ensuring the sieve handle is locked into position directly over the bowl handle.
 - 3 Place the cone over the drive shaft turning until it drops all the way down.
 - 4 Cut the fruit in half. Then switch on and press the fruit onto the cone.
- **The citrus press will not operate if the sieve is not locked correctly.**

care & cleaning

- Always switch off and unplug before cleaning.
- Handle the blades and cutting discs with care - they are extremely sharp.
- Some foods may discolour the plastic. This is perfectly normal and won't harm the plastic or affect the flavour of your food. Rub with a cloth dipped in vegetable oil to remove the discolouration.

power unit

- Wipe with a damp cloth, then dry. Ensure that the interlock area is clear of food debris.
- Store excess cord in the storage area at the back of the machine .

liquidiser/mill

- 1 Empty the goblet/jar before unscrewing it from the blade assembly.
- 2 Wash the goblet/jar by hand.
- 3 Remove and wash the sealing ring.
- 4 Don't touch the sharp blades – brush them clean using hot soapy water, then rinse thoroughly under the tap. **Don't immerse the blade unit in water.**
- 5 Leave to dry upside down.

twin beater geared whisk

- Detach the beaters from the drive head by gently pulling them free. Wash in warm soapy water.
- Wipe the drive head with a damp cloth, then dry. **Do not immerse the drive head in water.**

bowl/lid and attachments


- Wash by hand, then dry.
- Alternatively they can be washed on the top rack of your dishwasher. A short low temperature program is recommended.

service and customer care

- If the cord is damaged it must, for safety reasons, be replaced by Kenwood or an authorised Kenwood repairer.

UK

If you need help with:

- Using your machine
 - Servicing or repairs (in or out of guarantee)
-  call Kenwood on **023 92392333** and ask for customer care.
Have your model number ready - it's on the underside of the processor.

spares and attachments

-  call 0844 557 3653.

other countries

Contact the shop where you brought the food processor.

- Designed and engineered by Kenwood in the UK.
- Made in China.



IMPORTANT INFORMATION FOR CORRECT DISPOSAL OF THE PRODUCT IN ACCORDANCE WITH EC DIRECTIVE 2002/96/EC.

At the end of its working life, the product must not be disposed of as urban waste.

It must be taken to a special local authority differentiated waste collection centre or to a dealer providing this service. Disposing of a household appliance separately avoids possible negative consequences for the environment and health deriving from inappropriate disposal and enables the constituent materials to be recovered to obtain significant savings in energy and resources. As a reminder of the need to dispose of household appliances separately, the product is marked with a crossed-out wheeled dustbin.

guarantee UK only

If your food processor goes wrong within one year from the date you bought it, we will repair it (or replace it if necessary) free of charge provided:

- you have not misused, neglected, or damaged it;
 - it has not been modified (unless by Kenwood);
 - it is not second hand;
 - it has not been used commercially;
 - you have not fitted a plug incorrectly; and
 - **you supply your receipt to show when you bought it.**
- This guarantee does not affect your statutory rights.

recipes

shortcrust pastry

250g (9oz) plain flour
125g (5oz) mixture of lard and margarine cut into small pieces
2.5 mls (½ tsp) salt
45mls (3tbsp) cold water

- 1 Fit the knife blade and add the flour, salt and fat. Process for approximately 10 seconds or until the mixture looks like coarse breadcrumbs.
 - 2 Then add the water down the feed tube until the mixture looks like it is about to stick together.
 - 3 Turn out the mixture onto a worksurface and shape by hand. Use as required.
- For best results allow the pastry to rest before use. Place in a plastic bag or wrap in clingfilm and chill in the fridge for 20 minutes.

lasagne

300g (12oz) braising steak, cubed.
400g can of tomatoes
30mls (2tbsp) tomato puree
1 onion
5mls (1tsp) basil
100g (4oz) lasagne
200g (8oz) mozzarella cheese
15mls (1tbsp) oil
salt and pepper

- 1 Grate the cheese using the shredding disc.
- 2 Then separately chop the meat and onions with the knife blade.
- 3 Pre-heat the oil and fry the onions until softened, add the meat and fry until brown.
- 4 Then add the tomatoes, tomato puree and seasonings.
- 5 Stir well, cover and simmer gently for about 40minutes.
- 6 Cook the lasagne in plenty of salted boiling water until tender. Then drain well.
- 7 Place layers of meat, lasagne and cheese in a 1litre/2pint oven proof dish. Finish with a layer of cheese.
- 8 Bake at 190°C/375°F/Gas Mark 5 for 30minutes or until golden and bubbling.

victoria sandwich

150g (6oz) Soft margarine
150g (6oz) caster sugar
150g (6oz) self raising flour
5mls (1tsp) baking powder
3 eggs
15mls (1tbsp) warm water

filling & decoration

3tbsp strawberry jam
150mls (¼pt) double cream whipped (optional)
1tbsp icing sugar or caster sugar

- 1 Pre-heat the oven to 180°C/350°F/Gas mark 4 and grease two 18cm(7") shallow cake tins.
- 2 Fit the knife blade. Place all the ingredients for the sponge in the bowl and process for 5 seconds. Using a spatula, scrape the mixture into the centre of the bowl and process for a further 5 seconds.
- 3 Pour the mixture into the prepared tins and bake for 20-25 minutes or until firm to a light touch and coming away from the edges slightly. If you are unsure whether the cake is cooked insert a thin skewer in the centre and it should come out clean. Turn out onto a wire cooling rack.
- 4 When cool spread the jam and cream over one of the cakes, top with the other cake and sprinkle with the sugar.

fruit cake

125g (5oz) block margarine (cut into cubes)
125g (5oz) caster sugar
2 eggs
80 - 100mls (5-6tbsp) milk
275g (11oz) mixed fruit
200g (8oz) self raising flour
5mls (1tsp) mixed spice

- 1 Fit the knife blade and place the cubed margarine and sugar in the bowl.
- 2 Mix until smooth, light and fluffy, scraping down as necessary.
- 3 Add the eggs one at a time.
- 4 Add the flour, spices and milk. Pulse until ingredients combined.
- 5 Add the fruit using the pulse.
- 6 Pour the mixture into a greased and lined 7"/18cm round cake tin. Bake in a preheated oven 150°C/300°F/Gas Mark 2 for approximately 2 hours or until cooked. Turn out of the tin when cool.

white bread

300g(10oz) strong white bread flour
5mls (1tsp) salt
6g(¼oz) lard
15g (½oz) fresh yeast or 10mls(2tsp) dried yeast + 5mls (1tsp)
caster sugar.
175mls (6 fl oz) warm water

- 1 **Dried yeast (the type that needs reconstituting):** Add the yeast and sugar to the warm water. Leave to stand for 5 - 10 minutes until frothy.
Fresh yeast: crumble into the flour
Other types of yeast: follow the manufacturer's instructions.
- 2 Fit the dough tool or knife blade and add the flour (with fresh yeast if used), salt and lard. Process for a few seconds to evenly distribute the ingredients.
- 3 Then with the motor running quickly pour the liquid in a steady stream down the feed tube until the mixture forms an elastic soft dough. This will take about 60 - 90 seconds.
- 4 Remove the dough, place in a bowl, cover with an oiled piece of clingfilm or a plastic bag, and leave in a warm place for 45 - 60 minutes or until doubled in size.
- 5 Re-knead by hand for 2 - 3 minute. **Re-kneading in the bowl is not recommended as it may cause the processor to become unstable.** Shape into a loaf or 15 rolls and place on greased baking trays and leave until double in size.
- 6 Then bake in a pre-heated oven at 230°C/450°F/Gas mark 8 for 20 - 25 minutes for the loaf or 10 - 15 minutes for bread rolls. When ready they should sound hollow when tapped on the base.

carrot and coriander soup

25g (1oz) butter
1 onion chopped
1 clove garlic crushed
590g carrot cut into 1 cm cubes
cold chicken stock
10-15ml (2-3tsp) ground coriander
salt and pepper

- 1 Melt the butter in a pan, add the onion and garlic and fry until soft.
- 2 Place the carrot into the liquidiser, add the onion and garlic. Add sufficient stock to reach the 1.2L level marked on the goblet. Fit the lid and filler cap.
- 3 Blend on maximum speed for 5 seconds for a coarse soup or longer for a finer result.
- 4 Transfer the mixture to a saucepan, add the coriander and seasoning and simmer the soup for 30 to 35 minutes or until cooked.
- 5 Adjust the seasoning as necessary and add extra liquid if required.



Head Office Address: Kenwood Limited, New Lane, Havant, Hampshire PO9 2NH, UK
www.kenwoodworld.com

Designed and engineered by Kenwood in the UK
Made in China

Free Manuals Download Website

<http://myh66.com>

<http://usermanuals.us>

<http://www.somanuals.com>

<http://www.4manuals.cc>

<http://www.manual-lib.com>

<http://www.404manual.com>

<http://www.luxmanual.com>

<http://aubethermostatmanual.com>

Golf course search by state

<http://golfingnear.com>

Email search by domain

<http://emailbydomain.com>

Auto manuals search

<http://auto.somanuals.com>

TV manuals search

<http://tv.somanuals.com>