

KENWOOD

KDC-X492 KDC-MP438U KDC-MP408U KDC-MP338

CD-RECEIVER

INSTRUCTION MANUAL

AMPLI-TUNER LECTEUR DE CD

MODE D'EMPLOI

REPRODUCTOR DE DISCOS COMPACTOS RECEPTOR DE FM/AM

MANUAL DE INSTRUCCIONES

Kenwood Corporation



Take the time to read through this instruction manual.

Familiarity with installation and operation procedures will help you obtain the best performance from your new CD-receiver.

For your records

Record the serial number, found on the back of the unit, in the spaces designated on the warranty card, and in the space provided below. Refer to the model and serial numbers whenever you call upon your Kenwood dealer for information or service on the product.

Model KDC-X492/MP438U/MP408U/MP338 Serial number _____

US Residence Only

Register Online

Register your Kenwood product at
www.Kenwoodusa.com

Contents

Before use	3	Appendix	16
Basic Operation	4	Accessories/ Installation Procedure	18
General functions		Connecting Wires to Terminals	19
Tuner functions		Installation	20
Disc & Audio file play functions		Troubleshooting Guide	21
General Operation	6	Specifications	23
Audio Control			
Adjusting the detail of Audio Control			
Audio Setup			
Speaker Setting			
Display Switching			
Tuner Operation	9		
Direct Access Tuning			
Frequency Step Setting			
Music disc/Audio file Operation	10		
Play Functions of Disc Changer			
Direct Music Search			
Direct Disc Search			
List Select			
iPod Select			
Track Select			
Menu Operation	12		
Menu System			
Activating Security Code			
Deactivating Security Code			
Manual Clock Adjustment			
AMP Control			
Auxiliary Input Display Setting			
Receive mode Setting			
Demonstration mode Setting			
Basic Operations of remote control	15		

Panel illustrations used in this document

The control panel for KDC-X492 is used to describe operations in this document.

Playing AAC, MP3, and WMA data

This document refers to AAC, MP3, and WMA data stored in iPod, USB device, and CD-R/RW as "audio files." Refer to the section on "Audio Files" to control these data. See <About Audio file> (page 16) for details.

- iPod is a trademark of Apple Inc., registered in the U.S. and other countries.
- The "AAC" logo is trademark of Dolby Laboratories.

Before use

▲WARNING

To prevent injury or fire, take the following precautions:

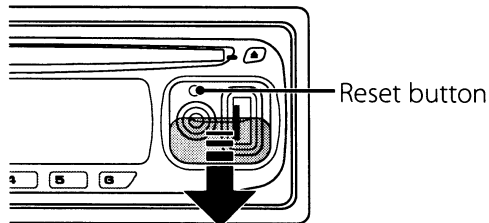
- To prevent a short circuit, never put or leave any metallic objects (such as coins or metal tools) inside the unit.

Before using this unit for the first time

This unit is initially set on the Demonstration mode. When using this unit for the first time, cancel the <Demonstration mode Setting> (page 14).

How to reset your unit

- If this unit or the connected unit (disc auto changer, etc.) fails to operate properly, press the Reset button. The unit returns to factory settings when the Reset button is pressed.



Cleaning the Unit

If the faceplate of this unit is stained, wipe it with a dry soft cloth such as a silicon cloth. If the faceplate is stained badly, wipe the stain off with a cloth moistened with neutral cleaner, then wipe it again with a clean soft dry cloth.



- Applying spray cleaner directly to the unit may affect its mechanical parts. Wiping the faceplate with a hard cloth or using a volatile liquid such as thinner or alcohol may scratch the surface or erase characters.

Cleaning the Faceplate Terminals

If the terminals on the unit or faceplate get dirty, wipe them with a clean soft dry cloth.

Lens Fogging

When you turn on the car heater in cold weather, dew or condensation may form on the lens in the CD player of the unit. Called lens fogging, this condensation on the lens may not allow CDs to play. In such a situation, remove the disc and wait for the condensation to evaporate. If the unit still does not operate normally after a while, consult your Kenwood dealer.

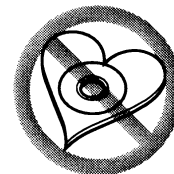
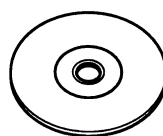
- If you experience problems during installation, consult your Kenwood dealer.
- When you purchase optional accessories, check with your Kenwood dealer to make sure that they work with your model and in your area.
- The characters which can be displayed by this unit are A-Z 0-9 @ " ' ` % & * + - = , . / \ < > [] () ; : ^ - { } | ~ .
- The illustrations of the display and the panel appearing in this manual are examples used to explain more clearly how the controls are used. Therefore, what appears on the display in the illustrations may differ from what appears on the display on the actual equipment, and some of the illustrations on the display may be inapplicable.


Handling CDs

- Do not touch the recording surface of the CD.
- Do not stick tape etc. on the CD, or use a CD with tape stuck on it.
- Do not use disc type accessories.
- Clean from the center of the disc and move outward.
- When removing CDs from this unit, pull them out horizontally.
- If the CD center hole or outside rim has burrs, use the CD only after removing the burrs with a ballpoint pen etc.

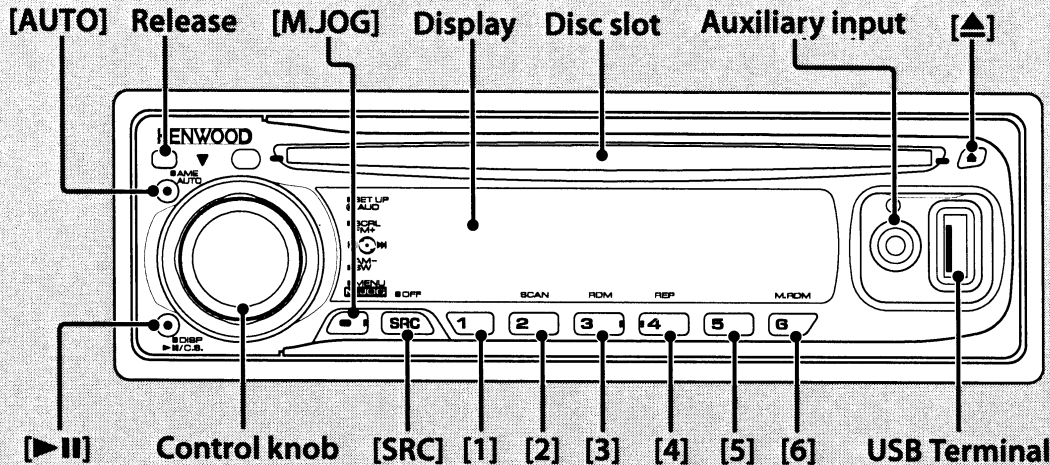
CDs that cannot be used

- CDs that are not round cannot be used.



- CDs with coloring on the recording surface or CDs that are dirty cannot be used.
- This unit can only play the CDs with  This unit may not correctly play discs which do not have the mark.
- You cannot play a CD-R or CD-RW that has not been finalized. (For the finalization process refer to your CD-R/CD-RW writing software, and your CD-R/CD-RW recorder instruction manual.)

Basic Operation



General functions

Power/Source Select button [SRC]

Turns on the power.

When the power is on, the source switches between Tuner ("TUNER"), USB or iPod ("USB" or "iPod"), CD ("CD"), Auxiliary input ("AUX"), and Standby ("STANDBY") each time this button is pressed. Press at least 1 second to turn off the power.



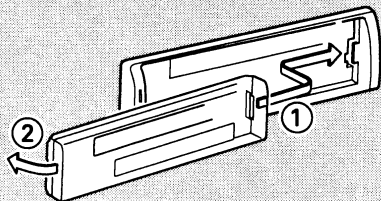
- For whether USB devices and iPod can be connected, refer to <About Audio file> (page 16).
- When an optional accessory is connected, the source name for each device appears.
- When connection of the iPod is recognized, the source display changes from "USB" to "iPod".

Volume control Control knob

Turn the knob to adjust the volume.

Faceplate release Release

Releases the faceplate lock so that it can be removed. Refer to the following diagram when reattaching the faceplate.



- The faceplate is a precision piece of equipment and can be damaged by shocks or jolts.
- Keep the faceplate in its faceplate case while detached.
- Do not place the faceplate (and the faceplate case) in areas exposed to direct sunlight, excessive heat or humidity. Also

avoid places with too much dust or the possibility of water splashing.

- To prevent deterioration, do not touch the terminals of the unit or faceplate with your fingers.

Auxiliary input Auxiliary input

Used to connect a portable audio device with mini-plug cable (3.5 ϕ).



- Use the mini-plug cable (stereo) which does not have any resistance.

Muting volume upon reception of phone call

When there is a call, "CALL" is displayed and the audio system is paused.

When the call ends, "CALL" disappears and the audio system comes back on.

The audio system comes back on when [SRC] is pressed during a call.

Subwoofer output Control knob

Switches between ON ("SUBWOOFER ON") and OFF ("SUBWOOFER OFF") each time pushing toward down for at least 2 seconds.

Tuner functions

Band select Control knob

Switches between FM1, FM2, and FM3 each time pushing toward up.

Switches to AM when pushing toward down.

Tuning Control knob

Changes the frequency when pushing toward left or right.



- During reception of stereo stations the "ST" indicator is ON.



: Indicates the button etc. to operate.

Tuning mode select [AUTO]

Switches as follows each time this button is pressed.

Tuning mode	Display	Operation
Auto seek	"SEEK : AUTO1"	Automatic search for a station.
Preset station seek	"SEEK : AUTO2"	Search in order of the stations in the Preset memory.
Manual	"SEEK : MANUAL"	Normal manual tuning control.

Preset memory [1] - [6]

Memorizes the station selected when pressing for at least 2 seconds.

Auto memory entry [AUTO]

Memorizes six stations with good reception automatically when pressed for at least 2 seconds.

Preset tuning [1] - [6]

Recalls the memorized station.

Disc & Audio file play functions

Disc play Disc slot

Starts playing when a disc is inserted.

When a CD is inserted, the "IN" indicator is ON.



- 3 inch (8 cm) CD cannot be used. Attempt to insert using an adapter can cause malfunction.

USB device play (Function of KDC-X492/MP438U/

MP408U) USB Terminal

Used to connect the USB device to the USB cable (optional accessory) which is connected to the USB terminal.

When the USB device is connected, the "USB" indicator is ON.



- For the playable audio file, media, and devices, refer to <About Audio file> (page 16).

Pause and play [▶ II]

Switches between pause and play each time this button is pressed.

Disc ejection [▲]



- You can eject the disc for 10 minutes after switching off the engine.

USB device removing [▲]

Press this button for 2 seconds or longer to select the remove mode, and the remove the USB device.

During the remove mode, "USB REMOVE" is displayed.

Music search Control knob

Changes the music when pushing toward left or right. Fast reverses or forwards the music while keeping pushing toward left or right. (No sound is output while playing audio file.)

Folder search Control knob

Changes the folder containing the audio file when pushing toward up or down.

Select mode [M.JOG]

After pressing this button, you can quickly search songs with the control knob. See <List Select> (page 10), <iPod Select> (page 11) for details.

Track/ File/ Folder repeat play [4]

Switches between Track Repeat ("TRAC REP ON") and OFF ("REP OFF") when pressed while playing a CD.

Switches between File Repeat ("FILE REP ON"), Folder Repeat ("FOLD REP ON"), and OFF ("REP OFF") when pressed while playing an audio file.



- The folder repeat operation cannot be performed while iPod is playing.

Scan play [2]

Successively plays the intro of the music in the disc or folder.

When Scan Play is turned on, "TRAC SCAN ON"/ "FILE SCAN ON" is displayed.



- The Scan play operation cannot be performed while iPod is playing.

Random play [3]

Randomly plays the music in the disc or folder.

When Random Play is turned on, "DISC RDM ON"/ "FOLD RDM ON" is displayed.

Text/Title scroll Control knob

Scrolls the CD and audio file text display when pushing toward up for at least 2 seconds.

General Operation

Audio Control

You can adjust following Audio Control items;

Adjustment Item	Display	Range
Rear volume*	"R-VOLUME"	0 — 35
Subwoofer level	"SUB-W L"	-15 — +15
Bass Boost**	"B.BOOST-L"	"L1"/"L2"/"OFF" (The indicator turns on according to the setting.)
System Q	"NATURAL"/ "USER"/"ROCK"/ "POPS"/"EASY"/ "TOP40"/"JAZZ"	Natural/User setting/Rock/ Pops/Easy/Top 40/Jazz (The indicator turns on according to the setting.)
Bass level	"BASS L"	-8 — +8
Middle level	"MID L"	-8 — +8
Treble level	"TRE L"	-8 — +8
Balance	"BALANCE"	Left 15 — Right 15
Fader	"FADER"	Rear 15 — Front 15

Exit Audio Control mode (Volume control mode)

*Function of KDC-X492/KDC-MP438U/KDC-MP408U.

**Function of KDC-MP338.



- "USER": The customized Bass, Middle, and Treble levels are effective. On the KDC-X492/KDC-MP438U/KDC-MP408U, this item can be selected at any time. On the KDC-MP338, this item is displayed only when the tone quality has been adjusted. On the KDC-MP338, this item disappears when another setting is selected.
- You can set Bass, Middle, and Treble for each source.

1 Select the source to adjust

Press the [SRC] button.

2 Enter Audio Control mode

Press the Control knob.

3 Select the Audio item to adjust

Press the Control knob.

4 Adjust the Audio item

Turn the Control knob.

5 Exit Audio Control mode

Press any button.

Press a button other than the Control knob or ▲ button.

Function of KDC-X492/KDC-MP408U

Adjusting the detail of Audio Control

You can adjust the following Basic Audio Items in detail: Bass level, Middle level, and Treble level.

Bass level

Adjustment Item	Display	Range
Bass Center Frequency	"BASS F"	40/50/60/70/80/100/ 120/150 Hz
Bass Q Factor	"BASS Q"	1.00/1.25/1.50/2.00
Bass Extend	"BASS EXT"	OFF/ON

Middle level

Adjustment Item	Display	Range
Middle Center Frequency	"MID F"	0.5/1.0/1.5/2.0 kHz
Middle Q Factor	"MID Q"	1.0/2.0

Treble level

Adjustment Item	Display	Range
Treble Center Frequency	"TRE F"	10.0/12.5/15.0/17.5 kHz

1 Select the Basic Audio item

For how to select Basic Audio items, see <Audio Control> (page 6).

2 Enter Detail adjustment mode of Audio Control

Press the Control knob for at least 1 second.

3 Select the Detail Audio item to adjust

Press the Control knob.

4 Adjust the Detail Audio item

Turn the Control knob.

5 Exit the Detail Audio Control mode

Press the Control knob for at least 1 second.



- When you set the Bass Extend to ON, low frequency response is extended by 20%.
- You can exit the Audio Control mode at anytime by pressing any button except for Control knob or ▲ button.

Audio Setup

You can set Sound system , such as follows;

Adjustment Item	Display	Range
Front High Pass Filter*	"HPF"	Through/40* ¹ /60* ¹ /80/100/120/ 150/180/220* ¹ Hz
Rear High Pass Filter*	"HPR"	Through/40* ¹ /60* ¹ /80/100/120/ 150/180/220* ¹ Hz
Low Pass Filter	"LPF SW"	50* ¹ /60* ^{1,2} /80/100* ¹ /120/160* ³ / Through Hz
Subwoofer Phase*	"PHASE"	Reverse (180°)/ Normal (0°)
Volume offset	"V-OFFSET"	-8 — ±0 (AUX: -8 — +8)
Loudness*	"LOUDNESS"	OFF/ON
Dual Zone System*	"2ZONE"	OFF/ON

*Function of KDC-X492/KDC-MP438U/KDC-MP408U.
¹KDC-X492 only. ²KDC-MP438U/KDC-MP408U only.
³KDC-MP338 only.



- Volume offset: Sets each source's volume as a difference from the basic volume.
- Loudness: Compensates for low and high tones during low volume. (Only the low tone is compensated for when the tuner is selected as a source.)
- Dual Zone System
 - Main source and sub source (Auxiliary input) output Front channel and Rear channel separately.
 - Set up the channel of sub source by "ZONE2" of <Menu System> (page 12).
 - Select Main source by [SRC] button.
 - Adjust the volume of Front channel by Control knob.
 - Adjust the volume of Rear channel by <Audio Control> (page 6) or [▲]/[▼] button on the remote control (page 15).
 - The Audio Control has no effect on sub source.

- 1 Select the source to adjust**
Press the [SRC] button.
- 2 Enter Audio Setup mode**
Press the Control knob for at least 1 second.
- 3 Select the Audio Setup item to adjust**
Press the Control knob.
- 4 Adjust the Audio setup item**
Turn the Control knob.
- 5 Exit Audio Setup mode**
Press the Control knob for at least 1 second.

Speaker Setting

Fine-tuning so that the System Q value is optimal when setting the speaker type as follows;

Speaker type	Display
OFF	"SP SEL OFF"
For 5 & 4 in. speaker	"SP SEL 5/4"
For 6 & 6x9 in. speaker	"SP SEL 6*9/6"
For the OEM speaker	"SP SEL OEM"

- 1 Enter Standby**
Press the [SRC] button.
Select the "STANDBY" display.
- 2 Enter Speaker Setting mode**
Press the Control knob.
- 3 Select the Speaker type**
Turn the Control knob.
- 4 Exit Speaker Setting mode**
Press the Control knob.

General Operation

Display Switching

Changes displayed information on each source following;

In Tuner source

Information	Display
Frequency	"FREQUENCY"
Clock	"CLOCK"

In CD & External disc source

Information	Display
Disc title	"DISC TITLE"
Track title (In External disc source)	"TRACK TITLE"
Play time & Track number	"P-TIME"
Clock	"CLOCK"

In Audio file source

Information	Display
Music title & Artist name	"TITLE/ARTIST"
Album name & Artist name	"ALBUM/ARTIST"
Folder name	"FOLDER NAME"
File name	"FILE NAME"
Play time & Music number	"P-TIME"
Clock	"CLOCK"

In HD Radio source

Information	Display
Station name	"STATION NAME"
Music title/ Artist name/ Album name/ Genre	"TITLE"
Frequency	"FREQUENCY"
Clock	"CLOCK"

In Satellite radio source

Information	Display
Channel name	"CHANNEL NAME"
Music title	"SONG TITLE"
Artist name	"ARTIST NAME"
Composer name	"COMPOSER NAME"
Category name	"CATEGORY NAME"
Label name	"LABEL NAME"
Comment	"COMMENT"
Band & Channel number	"CH NUMBER"
Clock	"CLOCK"

In Standby/ Auxiliary input source

Information	Display
Source name	"SOURCE NAME"
Clock	"CLOCK"

1 Enter Switching Display mode

Press the [▶II] button for at least 1 second.
"DISPLAY SEL" is displayed.

2 Select the Display item

Push the Control knob towards right or left.

3 Exit Switching Display mode

Press the [▶II] button.



- When you select the clock display, the display setting of each source will be changed to the clock display.
- If the selected display item does not have any information, alternative information is displayed.
- When LX-AMP is connected, the item setup by the Display mode of LX-AMP is displayed. (KDC-X492 only)
- When selecting "FOLDER NAME" while playing with iPod, names will be displayed depending on currently selected browsing items.

Tuner Operation

Function of remote control

Direct Access Tuning

Entering the frequency and tuning.

1 Enter Direct Access Tuning mode

Press the [DIRECT] button on the remote control.

"----" is displayed.

2 Enter the frequency

Press the number buttons on the remote control.

Example:

Desired frequency	Press button
92.1 MHz (FM)	[0], [9], [2], [1]
810 kHz (AM)	[0], [8], [1], [0]

Canceling Direct Access Tuning

Press the [DIRECT] button on the remote control.



- You can enter the FM band frequency in steps of a minimum of 0.1 MHz.

Function of KDC-MP408U

Frequency Step Setting

Changing the tuning frequency step.

The original setting is FM band 50 kHz.

1 Turn the power OFF

Press the [SRC] button for at least 1 second.

2 Switch the frequency step

While pressing the [1] and [5] buttons, press the [SRC] button.

Release your fingers from the button after the display appears.

The frequency step changes to FM band 200 kHz.



- When the same operation is repeated, the frequency step returns to the original setting.
- When the frequency step is changed, the frequencies in the memory are deleted.

Music disc/Audio file Operation

Play Functions of Disc Changer

While a disc in the disc changer is being played, the following play functions can be used.

Playing the Current Song or Disc Repeatedly. (Repeat play)

Press the [4] button.

Pressing the button repeatedly selects Track Repeat play on ("TRAC REP ON"), Disc Repeat play on ("DISC REP ON"), and Repeat play off ("REP OFF") sequentially.

Randomly plays the music in the disc changer. (Magazine random play)

Press the [6] button.

Pressing the button toggles the setting between Magazine random play on ("MGZN RDM ON") and off ("RDM OFF").

Function of remote control

Direct Music Search

Searches the music by entering the track number.

1 Enter the music number

Press the number buttons on the remote control.

2 Search the music

Press the [◀◀] or [▶▶] button.

Cancelling Direct Music Search

Press the [▶||] button.



- Direct Music Search cannot be performed during playing of iPod, Random play, or scan play.

Function of disc changers with remote control

Direct Disc Search

Searches the disc by entering the disc number.

1 Enter the disc number

Press the number buttons on the remote control.

2 Search the disc

Press the [FM] or [AM] button.

Cancelling Direct Disc Search

Press the [▶||] button.



- Input "0" to select disc 10.
- Direct Disc Search cannot be performed during playing of Random play or scan play.

Function of USB/CD of Audio file

List Select

Search for the song you want to listen to by tracing the media file structure.

1 Enter Multi Jog Select mode

Press the [M.JOG] button.

"MULTI JOG ON" is displayed.

Displays the current Audio file name.

2 Searching for and playing a song

Operation type	Operation
Movement between folders/files	Turn the Control knob.
Selection of folder/file	Press the Control knob.
Return to previous folder	Push the Control knob towards left.
Return to root folder	Push the Control knob towards left for at least 2 seconds.

"<" or ">" beside the displayed folder name indicates that this folder is preceded or followed by another folder.

When file name is displayed, "*" is added at the end.

Cancelling the Multi Jog Select mode

Press the [M.JOG] button.



- List Select cannot be performed during Random play or scan play.

Function of KDC-X492/KDC-MP438U
Function of iPod

iPod Select

Search for the song you want to listen to by selecting the same menu item as that of iPod.

1 Enter Multi Jog Select mode

Press the [M.JOG] button.

"MULTI JOG ON" is displayed.

Displays the play list.

2 Searching for and playing a song

Operation type	Operation
Movement between items	Turn the Control knob.
Selection of item	Press the Control knob.
Return to previous item	Push the Control knob towards up.
Return to Top menu	Push the Control knob towards up for at least 2 seconds.

Cancelling the Multi Jog Select mode

Press the [M.JOG] button.



- iPod Select cannot be performed during Random play.

Function of Music CD

Track Select

Select the song you want to listen to by turning the control knob.

1 Enter Multi Jog Select mode

Press the [M.JOG] button.

"MULTI JOG ON" is displayed.

Displays the current music No.

2 Select the music

Turn the Control knob.

3 Play the selected song

Press the Control knob.

The Multi Jog Select mode is canceled and the selected song is played.

Cancelling the Multi Jog Select mode

Press the [M.JOG] button.



- Track Select is available only during playing of the built-in CD player.
- Track Select cannot be performed during Random play or scan play.

Menu Operation

Menu System

Set up the following functions;

Display	Setting	Setting overview	Source
"SECURITY SET"/ "SECURITY CLR"	Refer to page 12	Sets/Resets security code	SB
"CLOCK ADJUST"	Refer to page 13	Sets the clock.	SB
"DISPLAY"	ON*/OFF	Turns off the display when no operation is performed.	—
"DIMMER" *1,2,3	AUTO*/OFF	Dims the display in conjunction with the light switch of the vehicle.	SB
"DIMMER"*4	ON/OFF*	Adjusts the brightness of the display according to the surrounding illumination.	—
"DOT LINE"	ON*/OFF	Specifies whether to display the red dotted line on the display.	SB
"SWPRE"*3,4	REAR*/ SUB-W	Sets the preout output.	SB
"AMP"*1,2	ON*/OFF	Turns on/off the built-in amplifier.	SB
"AMS CONTROL"*1	Refer to page 13	Controls the connected LX amplifier.	—
"ZONE2"*1,2,3	REAR*/ FRONT	Specifies the destination of AUX input sound when the Dual Zone function is turned on.	SB
"SUPREME"	ON*/OFF	Turns ON/OFF the Supreme function.	AF
"CRSC"	OFF/ON*	Switches to Monaural to decrease noise when reception is poor.	FM
"NAME SET"	Refer to page 14	Sets the display when switched to AUX source.	AUX
"SCROLL"	AUTO*/ MANUAL	Specifies whether the text is scrolled automatically.	—
"RECEIVE MODE"	Refer to page 14	Sets the receive mode of HR radio.	HDR
"ESN"	—	Displays the Electronic Serial Number of satellite radio.	SR
"AUX"	OFF/ON1*/ ON2	Sets whether to display AUX during source selection.	SB
"CD READ"	1*/2	Sets the CD read mode.	SB
"DEMO MODE"	Refer to page 14	Specifies whether to enable demonstration.	—

*Factory setting

*1 Function of KDC-X492.

*2 Function of KDC-MP438U.

*3 Function of KDC-MP408U.

*4 Function of KDC-MP338.

Displayed item is depending on currently selected source. The mark in Source column shows the

source to which the item is displayed.

SB : Can be set in other than standby state.

SB : Can be set in standby state.

AF : Can be set while Audio file source of CD/USB (excluding iPod).

FM : Can be set during FM reception.

SR : Can be set during Satellite radio source.

AUX : Can be set while accessing AUX source.

HDR : Can be set while HD Radio source.

— : Can be set during all sources.

1 Enter Menu mode

Press the [M.JOG] button for at least 1 second.

"MENU" is displayed.

2 Select the menu item

Push the Control knob towards up or down.

3 Set the menu item

Push the Control knob towards right or left.

4 Exit Menu mode

Press the [M.JOG] button.



- Refer to the respective page for information on how to set the items with reference page number.
- "ZONE2" is displayed when "2ZONE" in <Audio Setup> (page 7) is set to "ON".
- Refer to the <Appendix> (page 16) for the details of the menu items.
- Strong electrical fields (such as from power lines) may cause unstable sound quality when CRSC is turned ON. In such a situation, turn it OFF.

Activating Security Code



- You can set the Security Code with a 4 digit number of your choice.
- The Security Code cannot be displayed or referenced. Make a note of the Security Code and treasure it up.

1 Select Security Code item during Menu mode

Select the "SECURITY SET" display.

For how to select menu items, refer to <Menu System>(page 12).

2 Enter Security Code mode

Press the Control knob for at least 1 second.

When "ENTER" is displayed, "CODE" is also displayed.

3 Select the digits to enter

Push the Control knob towards right or left.

4 Select the Security Code numbers

Push the Control knob towards up or down.

5 Repeat steps 3 and 4, and complete the Security Code.

6 Confirm the Security Code
Press the Control knob for at least 3 second.
When "RE-ENTER" is displayed, "CODE" is also displayed.

7 Do the step 3 through 6 operation, and reenter the Security Code.
"APPROVED" is displayed.
The Security Code function activates.



- If you enter the wrong Code in steps 3 through 5, repeat from step 3.
- When the Security Code function is activated, "SECURITY SET" changes to "SECURITY CLR".
- To deactivate the Security Code function, see the next section <Deactivating Security Code>.

8 Exit Security Code mode
Press the [M.JOG] button.

Entering Security Code

The Security Code is required to use the audio unit when the unit is first used after removed from the battery power source or the Reset button is pressed.

- 1 Turn the power ON.**
- 2 Do the step 3 through 6 operation, and enter the Security Code.**
"APPROVED" is displayed.

Deactivating Security Code

Deactivating the Security Code function.

- 1 Select Security Code item during Menu mode**
Select the "SECURITY CLR" display.
For how to select menu items, refer to <Menu System>(page 12).
- 2 Enter Security Code mode**
Press the Control knob for at least 1 second.
When "ENTER" is displayed, "CODE" is also displayed.
- 3 Select the digits to enter**
Push the Control knob towards right or left.
- 4 Select the Security Code numbers**
Push the Control knob towards up or down.
- 5 Repeat steps 3 and 4, and complete the Security Code.**
- 6 Press the Control knob for at least 3 second.**

"CLEAR" is displayed.
The Security Code function deactivates.

7 Exit Security Code mode
Press the [M.JOG] button.



- If the entered security code is incorrect, "ERROR" is displayed. Enter a correct security code.

Manual Clock Adjustment

1 Select Clock Adjustment item during Menu mode

Select the "CLOCK ADJUST" display.
For how to select menu items, refer to <Menu System>(page 12).

2 Enter Clock Adjust mode
Press the Control knob for at least 1 second.
The clock display blinks.

3 Adjust the time
Push the control knob towards up or down to adjust the hours and right or left to adjust the minutes.

4 Exit Clock adjustment mode
Press the [M.JOG] button.

Function of KDC-X492
When LX AMP unit connecting

AMP Control

You can control the LX AMP connected to the unit.

1 Select AMP Control item during Menu mode

Select the "AMS CONTROL" display.
For how to select menu items, refer to <Menu System>(page 12).

2 Enter AMP Control mode
Press the Control knob for at least 1 second.

3 Select the AMP Control item for adjustment
Push the Control knob towards up or down.



- For the details on the AMP Control item, see the Instruction manual attached to the LX AMP.

4 Adjust the AMP Control item
Push the Control knob towards right or left.

5 Exit AMP Control mode
Press the [M.JOG] button.

Menu Operation

Auxiliary Input Display Setting

Selects the display below when changing to Auxiliary input source;

- "AUX"
- "DVD"
- "PORTABLE"
- "GAME"
- "VIDEO"
- "TV"

1 Select Auxiliary input display setting item during Menu mode

Select the "NAME SET" display.

For how to select menu items, refer to <Menu System>(page 12).

2 Enter Auxiliary input display setting mode Press the Control knob for at least 1 second.

The presently selected Auxiliary input display is displayed.

3 Select the Auxiliary input display Push the Control knob towards right or left.

4 Exit Auxiliary input display setting mode Press the [M.JOG] button.



- When operation stops for 10 seconds, the name at that time is registered, and the Auxiliary input display setting mode closes.
- The Auxiliary input display can be set only when the built-in auxiliary input or the auxiliary input of optional KCA-S220A is used. On the KCA-S220A, "AUX EXT" is displayed by default.

Receive mode Setting

Setting the receiver mode as follows;

Receive mode	Display	Operation
Auto mode	"AUTO"	Automatically tunes to analog broadcast when there is no digital broadcast.
Digital	"DIGITAL"	Digital broadcasts only.
Analog	"ANALOG"	Analog broadcasts only.

1 Select Receive mode item during Menu mode

Select the "RECEIVE MODE" display.

For how to select menu items, refer to <Menu System>(page 12).

2 Enter Receive mode

Press the Control knob for at least 1 second.

14 | KDC-X492/KDC-MP438U/KDC-MP408U/KDC-MP338

3 Set the Receive mode

Push the Control knob towards up or down.

4 Exit Receive mode

Press the [M.JOG] button.

Demonstration mode Setting

Turning the demonstration mode ON/OFF.

1 Select Demonstration item during Menu mode

Select the "DEMO MODE" display.

For how to select menu items, refer to <Menu System>(page 12).

2 Set the Demonstration mode

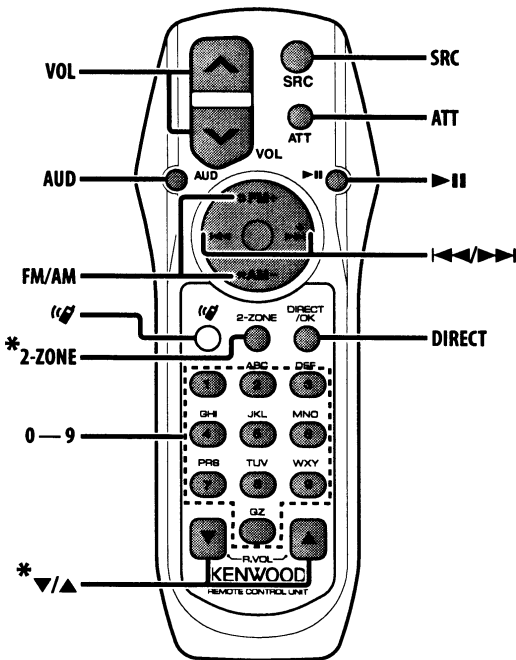
Press the Control knob for at least 2 second.

Pressing this button for 2 seconds or longer toggles the setting between "ON" and "OFF".

3 Exit Demonstration mode

Press the [M.JOG] button.

Basic Operations of remote control



*KDC-X492/MP438U/MP408U only

General control

Volume control [VOL]

Source select [SRC]

Volume reduce [ATT]

When the button is pressed again, the volume returns to the previous level. When the volume is reduced, the "ATT" indicator flashes.

In Audio control

Audio item select [AUD]

Adjusts the Audio item [VOL]



- Refer to <Audio Control> (page 6) for the operation method, such as the procedures for Audio control and others operations.

Dual Zone control

Dual zone system on and off [2-ZONE]

Rear channel volume control [▲]/[▼]

In Tuner/HD Radio source

Band select [FM]/[AM]

Station select [◀]/[▶]

Recall preset stations [1] — [6]

In CD/USB source

Music select [◀]/[▶]

Folder/Disc select [FM]/[AM]

Pause/Play [▶||]

In Satellite Radio tuner source

Preset band select [FM]

Channel select [◀]/[▶]

Recall preset channels [1] — [6]



About

This button is used when Bluetooth HANDS FREE BOX is connected. For more information, refer to the instruction manual of Bluetooth HANDS FREE BOX.



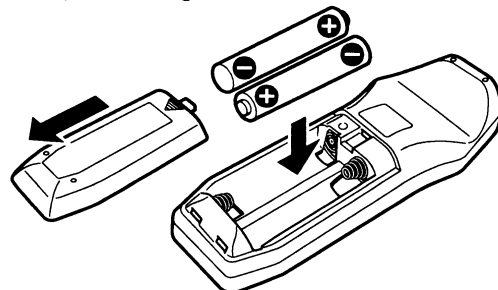
- Do not set the remote control in hot places such as on the dashboard.

Loading and Replacing battery

Use two "AA"/"R6"-size batteries.

Slide the cover while pressing downwards to remove it as illustrated.

Insert the batteries with the + and - poles aligned properly, following the illustration inside the case.



Appendix

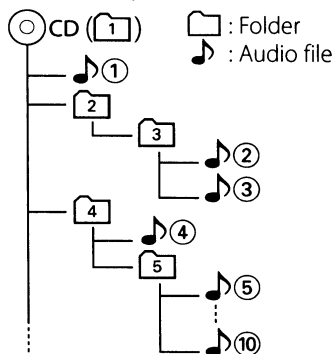
About Audio file

- **Playable Audio file**
AAC-LC (.m4a), MP3 (.mp3), WMA (.wma)
- **Playable disc media**
CD-R/RW/ROM
- **Playable disc file format**
ISO 9660 Level 1/2, Joliet, Romeo, Long file name.
- **USB device Playable Model**
KDC-X492, KDC-MP438U, KDC-MP408U
- **Playable USB device**
USB mass storage class
- **Playable USB device file system**
FAT16, FAT32
- **iPod Playable Model**
KDC-X492, KDC-MP438U

Although the audio files are complied with the standards listed above, the play maybe impossible depending on the types or conditions of media or device.

- **Playing order of the Audio file**

In the example of folder/file tree shown below, the files are played in the order from ① to ⑩.



An online manual about audio files is put on the site, www.kenwood.com/audiofile/. On this online manual, detailed information and notes which are not written in this manual are provided. Make sure to read through the online manual as well.



- In this manual, the word "USB device" is used for flash memories and digital audio players which have USB terminals.
- The word "iPod" appearing in this manual indicates the iPod connected with the iPod connection cable (optional accessory). The iPod connected with the iPod connection cable can be controlled from this unit. iPods that can be connected with the iPod connection cable are the iPod nano, Fifth Generation iPod, iPod classic, and iPod touch. Other iPods cannot be connected.

About USB device

- If you start playback after connecting the iPod, the music that has been played by the iPod is played first.
In this case, "RESUMING" is displayed without displaying a folder name, etc. Changing the browse item will display a correct title, etc.
- When the iPod is connected to this unit, "KENWOOD" or "✓" is displayed on the iPod to indicate that you cannot operate the iPod.
- When the USB device is connected to this unit, it can be charged up provided that this unit is powered.
- Install the USB device in the place where it will not prevent you from driving your vehicle properly.
- You cannot connect a USB device via a USB hub and Multi Card Reader.
- Take backups of the audio files used with this unit. The files can be erased depending on the operating conditions of the USB device.
We shall have no compensation for any damage arising out of erasure of the stored data.
- No USB device comes with this unit. You need to purchase a commercially available USB device.
- When connecting the USB device, usage of the CA-U1EX (option) is recommended.
Normal playback is not guaranteed when a cable other than the USB compatible cable is used. Connecting a cable whose total length is longer than 5 m can result in abnormal playback.

About Satellite Radio tuner

This unit supports Satellite Radio tuners which are released by SIRIUS and XM.
Refer to the instruction manual of Satellite radio tuner.

About HD Radio

When you connect an HD Radio, Tuner features of the unit are disabled and changed to HD Radio tuner features.
With the HD Radio tuner, you can use the similar functions of Tuner features. Refer to Tuner features for how to use the functions.

For operating KCA-BT100

To control KCA-BT100, operate as follows;
To make setting for <Selecting the Dialing Mode>, select <Menu System> (page 12). Pressing the [▶||] button for at least 1 second after selecting the "DIALING MODE" item allows you to enter the dialing method selection mode. To exit from dialing method selection mode, press [MJOG] button.
To make <Disconnecting a Call>, <Clearing the

Disconnection Message>, and <Rejecting an Incoming call>, press [AUTO] button for at least 1 second.

Moreover, some displays are different from the description of KCA-BT100 Instruction Manual.

Displays of KCA-BT100 Instruction Manual	Actual displays on this unit
"DISCONNECT"	"HF DISCONNECT"
"CONNECT"	"HF CONNECT"
"PHN-DEL"	"DEVICE DEL"
"P-STATUS"	"DVC STATUS"
"BT-CON Y"	"HF CONNECT Y"
"T-CON N"	"HF CONNECT N"

BT : Displays the bluetooth connection status.
This indicator turns on when a cell-phone is connected to this unit.

Y.II : Displays the signal strength of cell-phone.

GA : Displays the battery level of cell-phone.



Menu Glossary

- **SWPRE (Switching Preout)**
Switches the preout between rear output ("REAR") and subwoofer output ("SUB-W").
- **SUPREME**
Technology to extrapolate and supplement with proprietary algorithm, the high-frequency range that is cut off when encoding at low bit rate (less than 128Kbps, Sampling frequency is 44.1kHz). Supplementing is optimized by compression format (AAC, MP3 or WMA) and processed according to bit rate.
The effect is negligible with music that is encoded at high bit rate, variable bit rate or has minimal high frequency range.
- **CD READ**
Sets the method for reading CD.
When unable to play special format CD, set this function to "2" to force playing. Note that some music CD may be unplayable even when set to "2". In addition, audio files cannot be played when set to "2". Normally, keep this set to "1".
1 : Automatically distinguishes between audio file disc and music CD when playing disc.
2 : Forces playing as music CD.
- **AUX**
When this is set to ON, AUX source can be selected.
ON1: Outputs the sound of external unit connected to the AUX terminal when switched to AUX source.
ON2: Activates the attenuator function when switched to AUX source.
Turn off the attenuator function when

listening to output from external unit. This prevents the noise when no external unit is connected to AUX terminal.

OFF: Disables the selection of AUX source.

Set to OFF when not using the AUX terminal.

- **ZONE2 (Dual Zone)**

Set the destination (front speaker "FRONT" or rear speaker "REAR") of the sub source (AUX IN) when the Dual Zone function is turned on.

- **DISPLAY**

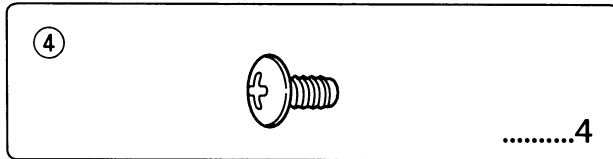
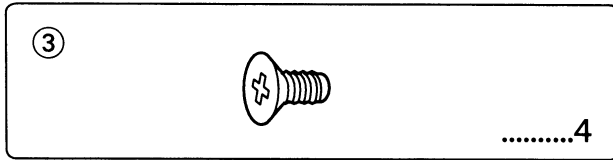
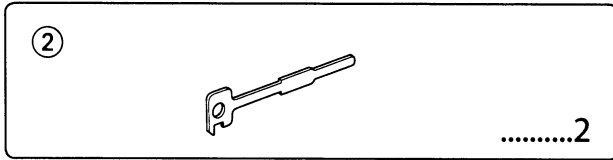
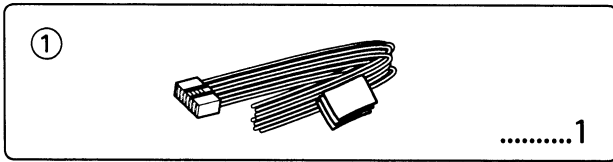
If this unit is not operated at least 5 seconds with "OFF" selected, the display turns off. During a setup mode, the display will not turn off even if 5 seconds lapse.

- **AMP**

Selecting "OFF" turns off the built-in amplifier. Turning off the built-in amplifier improves the quality of the sound from Preout.

Accessories/ Installation Procedure

Accessories



Installation Procedure

1. To prevent a short circuit, remove the key from the ignition and disconnect the ⊖ battery.
2. Make the proper input and output wire connections for each unit.
3. Connect the speaker wires of the wiring harness.
4. Connect the wiring harness wires in the following order: ground, battery, ignition.
5. Connect the wiring harness connector to the unit.
6. Install the unit in your car.
7. Reconnect the ⊖ battery.
8. Press the reset button.

▲WARNING

If you connect the ignition wire (red) and the battery wire (yellow) to the car chassis (ground), you may cause a short circuit, that in turn may start a fire. Always connect those wires to the power source running through the fuse box.



- Mounting and wiring this product requires skills and experience. For safety's sake, leave the mounting and wiring work to professionals.
- Make sure to ground the unit to a negative 12V DC power supply.
- Do not install the unit in a spot exposed to direct sunlight or excessive heat or humidity. Also avoid places with too much dust or the possibility of water splashing.
- Do not use your own screws. Use only the screws provided.

If you use the wrong screws, you could damage the unit.

- If the power is not turned ON ("PROTECT" is displayed), the speaker wire may have a short-circuit or touched the chassis of the vehicle and the protection function may have been activated. Therefore, the speaker wire should be checked.
- If your car's ignition does not have an ACC position, connect the ignition wires to a power source that can be turned on and off with the ignition key. If you connect the ignition wire to a power source with a constant voltage supply, as with battery wires, the battery may die.
- If the console has a lid, make sure to install the unit so that the faceplate will not hit the lid when closing and opening.
- If the fuse blows, first make sure the wires aren't touching to cause a short circuit, then replace the old fuse with one with the same rating.
- Insulate unconnected wires with vinyl tape or other similar material. To prevent a short circuit, do not remove the caps on the ends of the unconnected wires or the terminals.
- Connect the speaker wires correctly to the terminals to which they correspond. The unit may be damaged or fail to work if you share the ⊖ wires or ground them to any metal part in the car.
- When only two speakers are being connected to the system, connect the connectors either to both the front output terminals or to both the rear output terminals (do not mix front and rear). For example, if you connect the ⊕ connector of the left speaker to a front output terminal, do not connect the ⊖ connector to a rear output terminal.
- After the unit is installed, check whether the brake lamps, blinkers, wipers, etc. on the car are working properly.
- Mount the unit so that the mounting angle is 30° or less.

About CD players/disc changers connected to this unit

Kenwood disc changers/ CD players released in 1998 or later can be connected to this unit.

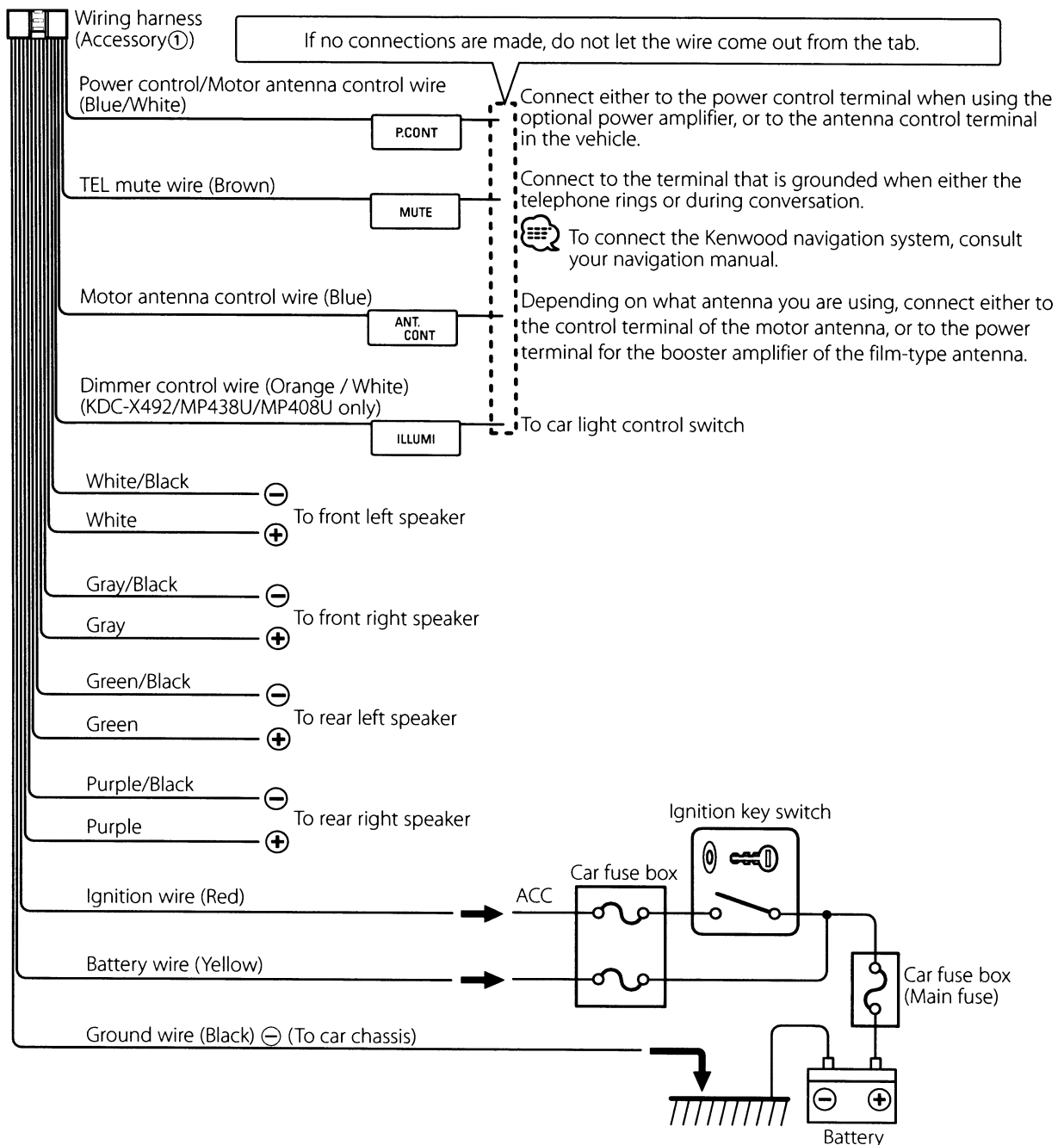
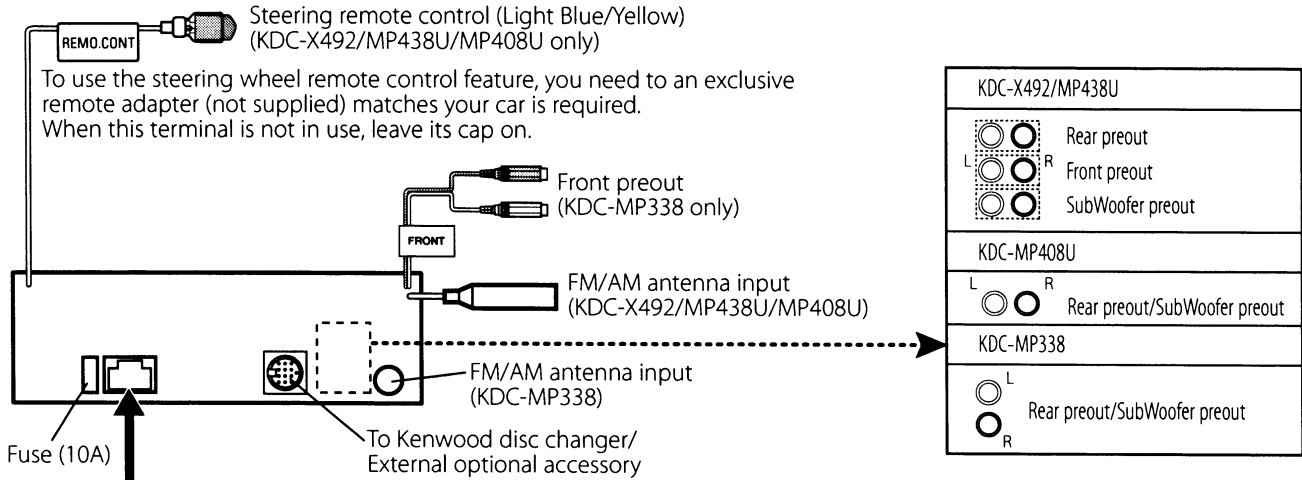
Refer to the catalog or consult your Kenwood dealer for connectable models of disc changers/ CD players. Note that any Kenwood disc changers/ CD players released in 1997 or earlier and disc changers made by other makers cannot be connected to this unit.

Connecting unsupported disc changers/CD players to this unit may result in damage.

Set the "O-N" Switch to the "N" position for the applicable Kenwood disc changers/ CD players.

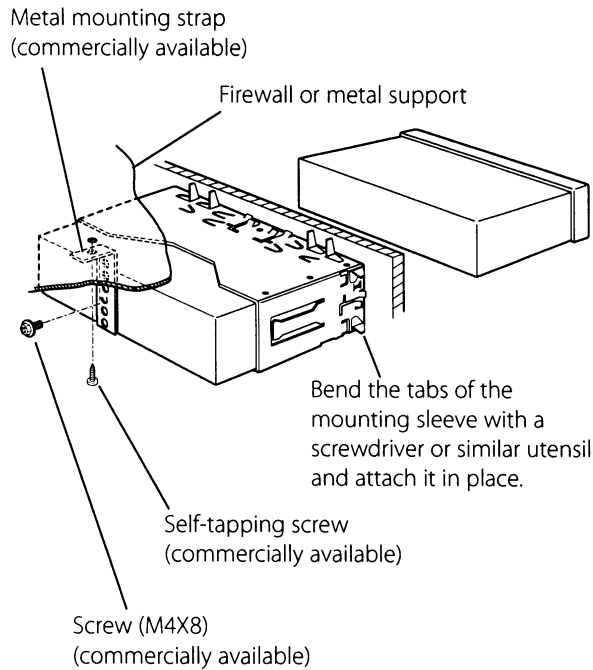
The functions you can use and the information that can be displayed may differ depending on the models being connected.

Connecting Wires to Terminals



Installation

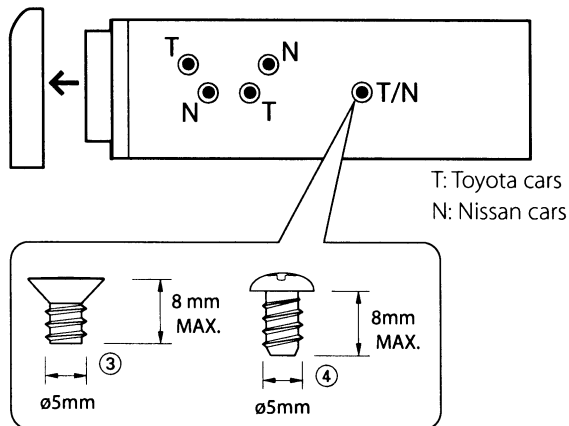
non-Japanese cars



- Make sure that the unit is installed securely in place. If the unit is unstable, it may malfunction (for example, the sound may skip).

Japanese cars

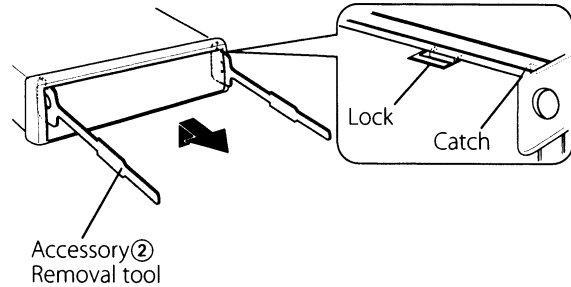
- 1 Refer to the section <Removing the hard rubber frame> and then remove the hard rubber frame.
- 2 Align the holes in the unit (two locations on each side) with the vehicle mounting bracket and secure the unit with the accessory screws.



Accessory③...for Nissan car
Accessory④...for Toyota car

Removing the hard rubber frame

- 1 Engage the catch pins on the removal tool and remove the two locks on the upper level. Upper the frame and pull it forward as shown in the figure.



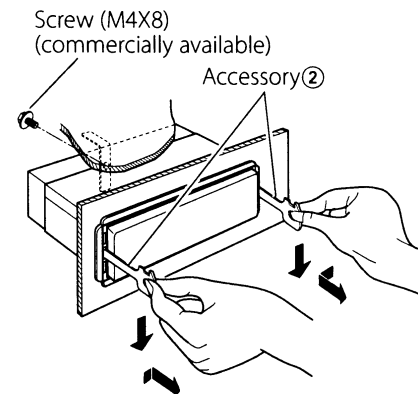
- 2 When the upper level is removed, remove the lower two locations.



- The frame can be removed from the bottom side in the same manner.

Removing the Unit

- 1 Refer to the section <Removing the hard rubber frame> and then remove the hard rubber frame.
- 2 Remove the screw (M4 × 8) on the back panel.
- 3 Insert the two removal tools deeply into the slots on each side, as shown.
- 4 Lower the removal tool toward the bottom, and pull out the unit halfway while pressing towards the inside.



- Be careful to avoid injury from the catch pins on the removal tool.
- 5 Pull the unit all the way out with your hands, being careful not to drop it.

Troubleshooting Guide

Some functions of this unit may be disabled by some settings made on this unit.

- !** • **Cannot set up the subwoofer.**
- **Cannot set up the High Pass Filter.**
- **Cannot set up the Fader.**
- **No Audio control effect on AUX.**
 - ▶ • Preout is not set to subwoofer. "SWPRE" of <Menu System> (page 12)
 - "Subwoofer output" of <Basic Operation> (page 4) is not set to On.
 - The Dual zone system function is enabled. <Audio Setup> (page 7)

- !** • **Cannot set up the subwoofer phase.**
 - ▶ The Low Pass Filter is set to Through. <Audio Setup> (page 7)

- !** • **Cannot select the output destination of the subsource in the Dual zone.**
- **Cannot adjust the volume of the rear speakers.**
 - ▶ The Dual zone function is disabled. <Audio Setup> (page 7)

- !** • **Cannot register a security code.**
- **Cannot set up Display Illumination Control.**
 - ▶ <Demonstration mode Setting> (page 14) is not turned off.

What might seem to be a malfunction in your unit may just be the result of slight misoperation or miswiring. Before calling service, first check the following table for possible problems.

Tuner source

- ?** **Radio reception is poor.**
 - ✓ The car antenna is not extended.
 - Pull the antenna out all the way.

Disc source

- ?** **The specified disc does not play, but another one plays instead.**
 - ✓ The specified CD is quite dirty.
 - Clean the CD.
 - ✓ The disc is loaded in a different slot from that specified.
 - Eject the disc magazine and check the number for the specified disc.
 - ✓ The disc is severely scratched.
 - Try another disc instead.

Audio file source

- ?** **The sound skips when an Audio file is being played.**
 - ✓ The media is scratched or dirty.
 - Clean the media, referring to the CD cleaning of the section on <Handling CDs> (page 3).
 - ✓ The recording condition is bad.
 - Record the media again or use another media.

Troubleshooting Guide

The messages shown below display your systems condition.

- TOC ERROR:**
- No disc has been loaded in the disc magazine.
 - The CD is quite dirty. The CD is upside-down. The CD is scratched a lot.
- E-05:** The disc is unreadable.
- E-77:** The unit is malfunctioning for some reason.
⇨ Press the reset button on the unit. If the "E-77" code does not disappear, consult your nearest service center.
- E-99:** Something is wrong with the disc magazine. Or the unit is malfunctioning for some reason.
⇨ Check the disc magazine. And then press the reset button on the unit. If the "E-99" code does not disappear, consult your nearest service center.
- IN (Blink):** The CD player section is not operating properly.
⇨ Reinsert the CD. If the CD cannot be ejected or the display continues to flash even when the CD has been properly reinserted, please switch off the power and consult your nearest service center.
- PROTECT:** The speaker wire has a short-circuit or touches the chassis of the vehicle, and then the protection function is activated.
⇨ Wire or insulate the speaker cable properly and press the reset button. If the "PROTECT" code does not disappear, consult your nearest service center.
- NA FILE:** An Audio file is played with a format that this unit can't support.
- COPY PRO:** A copy-protected file is played.
- READ ERROR:** The file system of the connected USB device is broken.
⇨ Copy the files and folders for the USB device again. If the error message is still displayed, initialize the USB device or use other USB devices.
- NO DEVICE:** The USB device is selected as a source although no USB device is connected.
⇨ Change the source to any source other than USB. Connect an USB device, and change the source to USB again.
- N/A DEVICE:** An unsupported USB device is connected.
⇨ Remove the USB device without entering the remove mode.
- NO MUSIC DATA/E-15:**
- The connected USB device contains no playable audio file.
 - Media was played that doesn't have data recorded that the unit can play.

USB ERROR/USB (Blink):

Some trouble may have occurred to the connected USB device.

- ⇨ Remove the USB device, then cycle the power switch to ON. If the same display is repeated, use another USB device. Remove the USB device without entering the remove mode.

iPod ERROR: Connection to the iPod has failed.

- ⇨ Check that the connected iPod is an iPod that is supported. See <About Audio file> (page 16) for information on supported iPods.
- ⇨ Remove the USB device and then reconnect it.
- ⇨ Confirm that the software for the iPod is the latest version.

USB REMOVE: The Remove mode has been selected for the USB device/iPod. You can remove the USB device/iPod safely.

Specifications

FM tuner section

Frequency range
200 kHz space
: 87.9 MHz – 107.9 MHz
50 kHz space (KDC-MP408U)
: 87.5 MHz – 108.0 MHz
Usable sensitivity (S/N = 30dB)
: 9.3dBf (0.8 μ V/75 Ω)
Quieting Sensitivity (S/N = 50dB)
: 15.2dBf (1.6 μ V/75 Ω)
Frequency response (\pm 3 dB)
: 30 Hz – 15 kHz
Signal to Noise ratio (MONO)
: 70 dB
Selectivity (\pm 400 kHz)
: \geq 80 dB
Stereo separation (1 kHz)
: 40 dB

AM tuner section

Frequency range (10 kHz space)
: 530 kHz – 1700 kHz
Usable sensitivity (S/N = 20dB)
: 28 dB μ (25 μ V)

CD player section

Laser diode
: GaAlAs
Digital filter (D/A)
: 8 Times Over Sampling
D/A Converter
: 24 Bit
Spindle speed
: 500 – 200 rpm (CLV)
Wow & Flutter
: Below Measurable Limit
Frequency response (\pm 1 dB)
: 10 Hz – 20 kHz
Total harmonic distortion (1 kHz)
KDC-X492 : 0.008 %
KDC-MP438U/MP408U/MP338 : 0.01 dB
Signal to Noise ratio (1 kHz)
KDC-X492 : 110 dB
KDC-MP438U/MP408U/MP338 : 108 dB
Dynamic range
: 93 dB
MP3 decode
: Compliant with MPEG-1/2 Audio Layer-3
WMA decode
: Compliant with Windows Media Audio
AAC decode
: AAC-LC ".m4a" files

USB Interface (KDC-X492/MP438U/MP408U)

USB Standard
: USB1.1/ 2.0
Maximum Supply current
: 500 mA
File System
: FAT16/ 32
MP3 decode
: Compliant with MPEG-1/2 Audio Layer-3
WMA decode
: Compliant with Windows Media Audio
AAC decode
: AAC-LC ".m4a" files

Audio section

Maximum output power
: 50 W x 4
Full Bandwidth Power (at less than 1% THD)
: 22 W x 4
Speaker Impedance
: 4 – 8 Ω
Tone action
Bass : 100 Hz \pm 8 dB
Middle : 1 kHz \pm 8 dB
Treble : 10 kHz \pm 8 dB
Preout level / Load (CD)
KDC-X492 : 4000 mV/10 k Ω
KDC-MP438U/MP408U/MP338 : 2500 mV/10 k Ω
Preout impedance
: \leq 600 Ω

Auxiliary input

Frequency response (\pm 1 dB)
: 20 Hz – 20 kHz
Input Maximum Voltage
: 1200 mV
Input Impedance
: 10 k Ω

General

Operating voltage (11 – 16V allowable)
: 14.4 V
Current consumption
: 10 A
Installation Size (W x H x D)
: 182 x 53 x 155 mm
7-3/16 x 2-1/16 x 6-1/8 inch
Weight
: 3.1 lbs (1.40 kg)

FCC WARNING

This equipment may generate or use radio frequency energy. Changes or modifications to this equipment may cause harmful interference unless the modifications are expressly approved in the instruction manual. The user could lose the authority to operate this equipment if an unauthorized change or modification is made.

NOTE

This equipment has been tested and found to comply with the limits for a Class B digital device, pursuant to Part 15 of the FCC Rules. These limits are designed to provide reasonable protection against harmful interference in a residential installation. This equipment may cause harmful interference to radio communications, if it is not installed and used in accordance with the instructions. However, there is no guarantee that interference will not occur in a particular installation. If this equipment does cause harmful interference to radio or television reception, which can be determined by turning the equipment off and on, the user is encouraged to try to correct the interference by one or more of the following measures:

- Reorient or relocate the receiving antenna.
- Increase the separation between the equipment and receiver.
- Connect the equipment into an outlet on a circuit different from that to which the receiver is connected.
- Consult the dealer or an experienced radio/TV technician for help.

▲CAUTION

Use of controls or adjustments or performance of procedures other than those specified herein may result in hazardous radiation exposure.

In compliance with Federal Regulations, following are reproductions of labels on, or inside the product relating to laser product safety.

Kenwood Corporation
2967-3, ISHIKAWA-MACHI,
HACHIOJI-SHI
TOKYO, JAPAN

KENWOOD CORP. CERTIFIES THIS EQUIPMENT
CONFORMS TO DHHS REGULATIONS NO.21 CFR
1040. 10, CHAPTER 1, SUBCHAPTER J.

Location : Bottom Panel

KENWOOD

Attention:

This card is necessary to purchase a new panel in case of theft or damage.

Attention:

Cette carte est nécessaire pour se procurer un nouveau panneau dans le cas de perte ou d'endommagement de celui que vous possédez.

Achtung:

Diese Karte ist erforderlich, um die Frontblende im Fall von Diebstahl oder Beschädigung erneut kaufen zu können.

Attentie:

Deze kaart is nodig als u een nieuw paneel wilt aanschaffen in geval van diefstal of beschadiging.

Attenzione:

Questa scheda è necessaria per acquistare un nuovo pannello frontale dopo un furto o danni.

Atención:

Esta tarjeta es necesaria para comprar el panel en el caso de que le haya sido robado o se haya estropeado.

KENWOOD

Car Audio Passport

Kenwood Corporation

Name of set / Nom de l'appareil / Modell /
Modello dell'apparecchio / Modelo

Sales date / Date d'achat / Verkaufsdatum /
Data d'acquisto / Fecha de venta



Dealer stamp / Cachet du vendeur /
Händlerstempel / Sello del vendedor

Signature of Dealer / Signature du vendeur /
Unterschrift des Händlers / Firma del vendedor

Serial No. / No. de serie / Serien-Nr. / No. di serie

User name / Nom de l'utilisateur / Eigentümer-Name /
Nome del proprietario / Usuario

User address / Adresse de l'utilisateur /
Adresse / Indirizzo / Dirección

Phone / Phono / Telefon / Telefono / Teléfono

This equipment pass is an important document. Please fill it out completely and keep it in a safe place.

Cette carte est un document important. La remplir complètement et la garder dans un endroit sûr.

Dieser Gerät-Pass ist ein wichtiges Dokument. Bitte vollständig ausfüllen und sorgfältig aufbewahren.

Esta tarjeta es importante. Rellénela por favor y guárdela para futura referencia.

B46-0690-04/00

ATTENTION

Before using this product for the first time

Demonstration function is set to ON as the original setting for this product. It is recommended that this feature is turned OFF at the time of installation, or before initial use of the product.

If the Demonstration mode is left in the ON position, the display will change arbitrarily and the security code feature can not be accessed.

To Turn OFF the Demonstration function.

Refer to "Demonstration mode Setting" in <Menu system> on the Instruction manual.

ATTENTION

Avant d'utiliser ce produit pour la première fois

La fonction de démonstration est activée en sortie d'usine. Il est recommandé de désactiver cette fonction au moment de l'installation de cet appareil ou avant sa première utilisation.

En effet, si le mode de démonstration reste activé, l'affichage risquera de changer de façon arbitraire et il ne sera pas possible d'accéder à la fonction de configuration du code de sécurité.

Pour désactiver la fonction de démonstration.

Reportez-vous à la section "Réglage du mode de démonstration" dans <Système de menu> dans le Manuel d'instructions.

ATENCIÓN

Antes de utilizar esta unidad por primera vez

La función de demostración está activada como configuración de origen para este producto. Se recomienda desactivar esta función en el momento de la instalación o antes del uso inicial del producto.

Si el modo de demostración se deja activado, la pantalla cambiará de modo arbitrario y no se podrá acceder a la función de código de seguridad.

Para desactivar la función de demostración.

Consulte "Ajuste del modo de demostración" en <Sistema de menú> del manual de instrucciones.

KENWOOD

Warranty Card

Identification du produit
Model number & serial number

Revendeur & cachet
Dealer & stamp

Date d'achat
Purchase date

Nom & adresse du client
Name & address of customer

Dear Customer,

Thank you for purchasing this kenwood product. As mentioned in the pages of this booklet, our warranty is only valid in the countries listed. If your country is not listed please contact your retailer for information on warranty procedure, or write to:

KENWOOD Corporation Customer Information Center
1-16-2, Hakusan, Midori-ku,
Yokohama-shi, Kanagawa, 226-8525 Japan

U.S.A.

This warranty will be honored only in the U.S.A.

KENWOOD LIMITED WARRANTY FOR CAR STEREO COMPONENTS

HOW LONG IS THE WARRANTY

Kenwood U.S.A. Corporation ("Kenwood") warrants this product for a period of one (1) year from the date of original purchase.

WHAT IS COVERED AND WHAT IS NOT COVERED

Except as specified below, this warranty covers all defects in material and workmanship in Kenwood car stereo components. The following are not covered by the warranty:

1. Any product which is not distributed in the U.S.A. by Kenwood or which is not purchased in the U.S.A. from an authorized Kenwood car stereo dealer or an automobile dealer, unless the product is purchased through the U.S.A Military Exchange Service.
2. Any product on which the serial number has been defaced, modified or removed.
3. Damage, deterioration or malfunction resulting from:
 - a. Any shipment of the product (claims must be presented to the carrier).
 - b. Installation or removal of the product.
 - c. Accident, acts of nature, misuse, abuse, neglect, unauthorized product modification or failure to follow instructions supplied with the product.
 - d. Repair or attempted repair by anyone not authorized by Kenwood.
 - e. Any other cause which does not relate to a product defect.

WHO IS PROTECTED

This warranty is enforceable only by the original purchaser.

WHAT WE WILL PAY FOR

We will pay for all labor and material expenses for covered items. Payment of shipping charges is discussed in the next section of this warranty.

HOW TO OBTAIN WARRANTY SERVICE

If your KENWOOD product ever needs service:

1. Take or ship it to any KENWOOD Authorized Service Center in the U.S.A. along with & complete description of the problem. (if you are uncertain as to whether a Service Center is authorized, please call **1-800-KENWOOD** for the nearest Service Center. **1-800-536-9663**).
2. Although you must pay any shipping charges if it is necessary to ship the product for warranty service, we will pay the return shipping charges if the repairs are covered by the warranty within the United States.
3. Whenever your units are taken or sent for warranty service, you must include a copy of the original dated sales receipt as proof of warranty coverage.

LIMITATION OF IMPLIED WARRANTIES

ALL IMPLIED WARRANTIES, INCLUDING WARRANTIES OF MERCHANTABILITY AND FITNESS FOR A PARTICULAR PURPOSE, ARE LIMITED IN DURATION TO THE LENGTH OF THIS WARRANTY.

EXCLUSION OF DAMAGES

KENWOOD'S LIABILITY FOR ANY DEFECTIVE PRODUCT IS LIMITED TO THE REPAIR OR REPLACEMENT OF THE PRODUCT AT OUR OPTION. KENWOOD SHALL NOT BE LIABLE FOR:

1. INSTALLATION OR REMOVAL CHARGES, DAMAGE TO OTHER PROPERTY CAUSED BY ANY DEFECTS IN KENWOOD CAR STEREO COMPONENTS, DAMAGES BASED UPON INCONVENIENCE, LOSS OF USE OF THE PRODUCT; OR
 2. ANY OTHER DAMAGES, WHETHER INCIDENTAL, CONSEQUENTIAL OR OTHERWISE.
- SOME STATES DO NOT ALLOW LIMITATIONS ON HOW LONG AN IMPLIED WARRANTY LASTS AND/OR DO NOT ALLOW THE EXCLUSION OR LIMITATION OF INCIDENTAL OR CONSEQUENTIAL DAMAGES, SO THE ABOVE LIMITATIONS AND EXCLUSIONS MAY NOT APPLY TO YOU.

This warranty gives you specific legal rights, and you may also have other rights which vary from state to state.

If a problem develops during or after the Limited Warranty Period, or if you have any questions regarding the operation of the product, you should contact your KENWOOD Authorized Dealer or Authorized Service Center. If the problem or your question is not handled to your satisfaction, please contact our Customer Relations Department at the address listed below:

KENWOOD USA CORPORATION
P.O. Box 22745, 2201 East Dominguez Street, Long Beach, CA 90801-5745
Tel: (310) 639-5300

AUSTRALIA

The warranty will only be honoured in the country in which the unit was originally purchased.

EXPRESS WARRANTY STATEMENT FOR CAR STEREO AND PERSONAL AUDIO COMPONENTS

KENWOOD ELECTRONICS AUSTRALIA PTY. LTD. is proud of the quality and workmanship of its audio equipment. This unit has been properly designed, tested and inspected before it was shipped to you. If properly installed and operated in accordance with instructions furnished, it should give optimum reliable performance.

SCOPE OF EXPRESS WARRANTY

Each of the KENWOOD brand products is expressly warranted under normal installation and use against defects in material and workmanship. During the express warranty period, KENWOOD ELECTRONICS AUSTRALIA PTY. LTD. will provide to any KENWOOD Authorised Service Centre in Australia free of charge both parts and labour necessary to correct any defect in material or workmanship. However, the exclusions noted under the heading "CONDITIONS OF THE EXPRESS WARRANTY" are not covered by this express warranty.

EXPRESS WARRANTY PERIOD

The KENWOOD brand car stereo and personal audio components are expressly warranted for a period of **ONE YEAR** from the date of the original purchase.

CONDITIONS OF THE EXPRESS WARRANTY

When requesting service under KENWOOD express warranty record, together with a valid purchase docket must be presented to an authorised KENWOOD Service Centre with your equipment.

The following are not covered by this express warranty:

1. Voltage conversions.
2. Cabinets, grilles, other exterior finishes, belts, tape heads, and other non-durable parts and accessories.
3. Any fault caused by faulty installation, water damage, the vehicle (including its electrical system) or connection to an incorrect power supply.
4. Periodic check-ups which do not disclose any defects covered by the warranty.
5. Units on which the serial number has been defaced, modified or removed.
6. Damage or deterioration:
 - a. Resulting from installation and/or removal of the product.
 - b. Resulting from accident, misuse, abuse, neglect, unauthorised product modification or failure to follow instructions contained in the Owner's Manual.
 - c. Resulting from repair by anyone not authorised by KENWOOD.
 - d. Resulting from installation of parts or accessories that do not conform to the quality or specifications of the original parts or accessories.
 - e. Occurring during shipment (claims must be presented to shipper).
7. Damaged magnetic tapes.
8. Installation and removal charges are not covered.
9. This express warranty excludes shipping or delivery charges to or from an authorised KENWOOD Service Centre.
10. The benefits conferred by this express warranty are in addition to all other rights and remedies in respect of the product which the consumer has under the Trade Practices Act and/or other State or Territory Laws.

EXCLUSION OF CERTAIN DAMAGES

KENWOOD'S liability for any defective product is limited to the repair or replacement of said product at our option, and shall not include damages of any kind, whether incidental, consequential or otherwise.

PROCEDURE WHEN REQUESTING SERVICE UNDER THE WARRANTY

1. Make your equipment available, with this warranty record and purchase docket attached, to the dealer from whom you made the purchase, or the nearest authorised KENWOOD Service Centre, or ship your equipment in its original packaging, or equivalent, fully insured and shipping charges pre-paid, to the authorised KENWOOD Service Centre.
2. Attach detailed description of the problem encountered, including details of any interconnections made to associated equipment.
3. Make sure you recover this card, your purchase docket and repair docket when accepting the equipment back after repair.

IMPORTANT NOTICE

1. Proper maintenance and use are important to the performance level of all KENWOOD brand products. Therefore, you should read your instruction manual.
2. Retain your purchase docket together with this warranty record in a safe place, and present them both to prove your eligibility for warranty work.
3. We recommend that you keep all the original packaging as it provides the best protection you can have for transportation of your equipment in the future.
4. Location of nearest KENWOOD Service Centre will be sent upon request.
5. This warranty is in addition to and not in place of such rights at the owner may have at law.

KENWOOD ELECTRONICS AUSTRALIA PTY. LTD.
16 GIFFNOCK AVENUE, CENTRECOURT ESTATE, NORTH RYDE,
N.S.W. 2113, AUSTRALIA
TEL. (02) 8879-2222
FAX. (02) 8879-2233

GARANTIE KENWOOD

KENWOOD ELECTRONICS CANADA INC. (ci-après appelée "KENWOOD"), donne par écrit la garantie suivante à l'acheteur original de chaque nouveau produit Kenwood distribué au Canada par KENWOOD et acheté à un concessionnaire autorisé par KENWOOD.

KENWOOD garantit, sous réserve des termes et des conditions énoncés ci-dessous, que chaque nouveau produit Kenwood, dans des conditions d'emploi normales, est exempt de tous défauts. Si l'un d'eux se produit pendant la période de garantie, KENWOOD s'engage à assumer le coût des pièces défectueuses et de la main-d'œuvre nécessaires pour effectuer les réparations pourvu que de tels défauts sont attribuables à des pièces défectueuses employées lors de la fabrication du produit Kenwood ou à la main-d'œuvre tel qu'établi par KENWOOD ou par l'un de ses centres de service autorisés. Appelez KENWOOD pour vérifier si un concessionnaire ou un centre de service est autorisé par KENWOOD.

PÉRIODE DE GARANTIE

Les pièces et la main-d'œuvre nécessaires pour la réparation des produits Kenwood sont garanties pendant la période d'un (1) an à compter de la date d'achat, de bail ou de location originale, sauf dans les cas où les produits Kenwood sont employés dans un but professionnel ou commercial, où la garantie des pièces et de la main-d'œuvre demeure en vigueur pendant une période de quatre-vingt-dix (90) jours sous réserve des termes et des conditions de la garantie.

EXCLUSIONS DE GARANTIE

Cette garantie ne couvre pas:

- les produits achetés à l'étranger ou achetés au Canada et transportés à l'étranger;
- les produits achetés à un concessionnaire non autorisé par KENWOOD;
- les produits dont le numéro de série manque, a été effacé ou modifié;
- les services d'entretien périodiques qui n'indiquent aucun défaut couvert par cette garantie;
- les défauts causés par les désastres, les accidents, les abus, les emplois incorrects, les éclaircis, les surtensions de courant, les manques de soins ou d'entretiens périodiques, les modifications non autorisées ou les manques de respect du mode d'emploi;
- les défauts ou les dommages causés lors de réparations effectuées par une personne ou par une partie non autorisée par KENWOOD;
- les défauts causés par l'emploi de pièces ou de dispositifs qui ne se conforment pas aux exigences de KENWOOD;
- les finitions extérieures, les pièces cosmétiques, les têtes de bandes, les adaptateurs, les antennes, les câbles, les bandes, les disques endommagés ou dépeints, ni les défauts ou dommages causés par des piles défectueuses ou qui fuient;
- les défauts ou dommages qui se produisent pendant l'expédition des produits Kenwood (On devrait déposer de telles réclamations auprès des compagnies de transport);
- les conversions de tension et/ou de fréquence du produit;
- les frais d'installation ou d'enlèvement du produit.

COMMENT OBTENIR DU SERVICE SOUS GARANTIE

Au cas où un service sous garantie de votre produit Kenwood s'avère nécessaire, veuillez livrer le produit à n'importe quel centre de service KENWOOD et présenter la copie originale du contrat de vente et cette carte de garantie en tant que preuve de garantie ou veuillez faire parvenir votre produit assuré et port payé au centre de service KENWOOD autorisé le plus proche. Pour éviter toutes possibilités de dommages pendant le transport, veuillez bien emballer le produit. Veuillez inclure une copie du contrat de vente original et cette carte de garantie en tant que preuve de garantie aussi bien que votre nom, numéros de téléphone au poste de travail et/ou au domicile, votre adresse et une description détaillée des défauts. Les produits sous garantie réparés seront retournés port payé aux destinations à l'intérieur du Canada. Le consommateur sera responsable de tous frais de transport et d'autres frais qui s'y rapportent pour faire expédier les produits à destinations à l'extérieur du Canada.

L'ENTIERE GARANTIE

Cette garantie représente l'entière garantie donnée par écrit par KENWOOD. KENWOOD ne se tient aucunement responsable de toutes extensions ni de toutes augmentations de cette garantie faites ou entreprises par toutes personnes, parties, concessionnaires ou centres de service ou par leurs agents ou employés au nom de KENWOOD au moyen d'affirmations verbales ou écrites, d'annonces ou de promotions, y compris tous programmes ou plans de garantie étendue que puissent offrir les concessionnaires ou les centres de service, à moins que KENWOOD n'y ait consenti par écrit d'avance.

RENONCIATION

KENWOOD renonce à toutes responsabilités de perte de temps, d'emploi du produit, de tous dommages indirects ou accessoires causés à d'autres produits ou biens, de tous inconvénients ou de toutes pertes commerciales.

AVIS AUX CONSOMMATEURS

Les stipulations contenues dans la présente garantie écrite n'ont pas pour but de limiter, de modifier, de diminuer, de rejeter ni d'exclure d'autres garanties ni droits énoncés dans n'importe quelles lois ou législations provinciales ou fédérales.

IMPORTANT

KENWOOD ne considère pas cette garantie toute seule comme étant une preuve d'achat valide. Lorsqu'on demande du service sous garantie, il faudra présenter la copie originale du contrat de vente aussi bien que cette carte de garantie en tant que preuve de garantie. On recommande de les conserver dans un lieu sûr au cas où elles s'avéreraient nécessaires à l'avenir.

KENWOOD ELECTRONICS CANADA INC.
6070 Kestrel Road, Mississauga, Ontario, Canada L5T 1S8
Téléphone: (905) 670-7211
Télecopieur: (905) 670-7248

KENWOOD WARRANTY

KENWOOD ELECTRONICS CANADA INC. (hereinafter called "KENWOOD"), gives the following written warranty to the original customer of each new Kenwood product distributed in Canada by KENWOOD and purchased from a dealer authorized by KENWOOD.

KENWOOD warrants that each new Kenwood product, under normal use, is free from any defects, subject to the terms and conditions set forth below. If a defect should occur within the warranty period, repairs will be made free of charge for parts and labour when such defects are determined by KENWOOD or its authorized service centres to be attributable to faulty materials or workmanship at time of manufacture. Please contact KENWOOD to confirm if a dealer or service centre is authorized by KENWOOD.

WARRANTY PERIOD

This Kenwood product is warranted for parts and labour for a period of one (1) year from the date of original purchase, lease or rental, except for products which are used in a professional or commercial application, which are warranted for a period of ninety (90) days for parts and labour and are subject to the terms and conditions of the warranty.

WARRANTY EXCLUSIONS

This warranty excludes:

- Products purchased in a foreign country or purchased in Canada and taken to a foreign country.
- Products purchased from a dealer not authorized by KENWOOD.
- Products with the serial number defaced, altered or missing.
- Periodic check-ups which do not disclose any defects covered by this warranty.
- Defects resulting from disaster, accident, abuse, misuse, lightning, power surges, neglect or lack of periodic maintenance, unauthorized modification or failure to follow instructions in the owner's manual.
- Defects or damage as a result of repairs performed by a person or party not authorized by KENWOOD.
- Defects resulting from the use of parts or devices that do not conform to KENWOOD specifications.
- Damage or deterioration occurring to any exterior finishes, cosmetic parts, tape heads, adaptors, antennas, cables, tapes, discs or faults or damage caused by defective or leaking batteries.
- Defects or damage occurring during shipping (claims should be presented to the shipping company).
- Product voltage and/or line frequency conversions.
- Product installation or removal charges.

TO OBTAIN WARRANTY SERVICE

Should your Kenwood product require warranty service, deliver it to any authorized KENWOOD service centre and present the original copy of your bill of sale and this warranty card as proof of warranty, or send your product fully insured and freight prepaid to the nearest authorized KENWOOD service centre. To avoid possible shipping damage, make sure the product is properly packed. Include a copy of your original bill of sale and this warranty card as proof of warranty along with your name, home and/or work telephone numbers), a complete return address and a detailed description of the fault(s). Products repaired within warranty will be returned freight prepaid to destinations within Canada. The customer is responsible for all freight and related costs for the return of product(s) to destinations outside Canada.

ENTIRE WARRANTY

This warranty constitutes the entire written warranty given by KENWOOD. No person, party, dealer or service centre or their agents or employees are authorized to extend or enlarge this warranty on behalf of KENWOOD by any written or verbal statement or advertisement or promotion, including any extended warranty program or plan that may be offered by the dealer or service centre, unless approved in writing by KENWOOD.

DISCLAIMER

KENWOOD disclaims any responsibility for loss of time or use of the product or any other indirect, incidental or consequential damage to other products or goods, inconvenience or commercial loss.

NOTICE TO CONSUMER

The provisions contained in this written warranty are not intended to limit, modify, take away, disclaim or exclude any warranties or rights you may have which are set forth in any applicable provincial or federal laws or legislation.

IMPORTANT

This warranty card by itself is not considered by KENWOOD as a valid proof of purchase. When applying for warranty repairs, you must present the original copy of your bill of sale and this warranty card as proof of warranty, so we recommend that they be kept in a safe place, should they be required in the future.

KENWOOD ELECTRONICS CANADA INC.
6070 Kestrel Road, Mississauga, Ontario, Canada L5T 1S8
Tel.: (905) 670-7211
Fax: (905) 670-7248

Units purchased through the U.S.A. military exchange service overseas may be serviced under warranty in the continental U.S.A., subject to the following conditions.

- The original warranty is in effect.
- Proof of purchase is provided to the servicer.

WARRANTY FOR MILITARY MARKET

KENWOOD CORPORATION is proud of the quality and workmanship of its audio equipment. This unit has been properly designed, tested and inspected before it was shipped to you. If properly installed and operated in accordance with instructions furnished, it should give you an optimum reliable performance.

WARRANTY PERIOD

This product is warranted for a period of **ONE YEAR** from the date of the original purchase.

SCOPE OF WARRANTY

Except as specified below, this warranty covers all defects in materials and workmanship of the KENWOOD brand products.

During the warranty period, any authorized KENWOOD Service Center in the military market listed in the back of this warranty card will provide you free-of-charge both parts and labor required to correct any defect in materials or workmanship.

The following are not covered by this warranty.

- Voltage conversions.
- Periodic check-ups which do not disclose any defect covered by the warranty.
- Cabinets, grilles, other exterior finishes, belts, tape heads, and other non-durable parts and accessories.
- Units on which the serial number has been effaced, modified or removed.
- Installation and/or removal charges.
- Damaged magnetic tapes.
- House call charges for any repairs.
- Shipping or delivery charges to or from an authorized KENWOOD Service Center.
- This warranty will not cover any failure that is due to any of the following conditions in accordance with the visual inspection of the authorized KENWOOD Service Center:
 - * Improper maintenance or repair, including the installation of parts or accessories that do not conform to the quality and specifications of the original parts.
 - * Misuse, abuse, neglect, unauthorized product modification or failure to follow instructions contained in the Owner's Manual.
 - * Accidental or intentional damages.
 - * Repairs or attempted repairs by an unauthorized agency. (All repairs must be performed at an authorized KENWOOD Service Center.)
 - * Damages or deteriorations caused during shipment (Claims must be presented to the carrier).
 - * Damages or deteriorations resulting from removal and/or replacement.

PURCHASER'S RESPONSIBILITIES

As the purchaser of a new KENWOOD brand product, you are requested to do the following in order to obtain KENWOOD warranty service.

- Retain your sales slip or other evidence of purchase for proving your eligibility for requesting KENWOOD warranty service.
- Make your unit available to an authorized KENWOOD Service Center in the military market for inspection and approved warranty service, or ship your unit in its original carton box or equivalent, fully insured and shipping charges prepaid, to the authorized KENWOOD Service Center.

LIMITATION OF IMPLIED WARRANTIES

Any and all implied warranties, including warranties of merchantability and fitness for a particular purpose, shall be limited in duration to the length of this warranty.

EXCLUSION OF CERTAIN DAMAGES

KENWOOD's liability for any defective product is limited to the repair or replacement of said product, at our option, and shall not include damages of any kind, whether incidental, consequential or otherwise, except to the extent prohibited by applicable law.

**KENWOOD AUTHORIZED SERVICE CENTERS
IN MILITARY MARKET****JAPAN:****Yokota**

Kenwood Rep.; c/o
Yokota BX, JAAX AAFES-PAC,
APO San Francisco 96328

Zama

Kenwood Rep.; c/o
Zama PX, JAAX AAFES-PAC,
APO San Francisco 96343

Misawa

Kenwood Rep.; c/o
Misawa BX, JAAX AAFES-PAC,
APO San Francisco 96519

Yokosuka

Kenwood Rep.; c/o
A-33, Yokosuka NEX No. 260-010
FPO Seattle 98760

Atsugi

Kenwood Rep.; c/o
Atsugi NEX No. 260-020 FPO Seattle 98767

Iwakuni

Kenwood Rep.; c/o
Marine Corps Exchange, Marine Corps Air Station,
FPO Seattle 98764

Sasebo

Sasebo NEX;
Navy Exchange 260-040
F.A. Box 115 FPO Seattle 98766

Okinawa

Kenwood Rep.; c/o
OWAX, AAFES-PAC, APO San Francisco 96230
KOREA:

Kenwood Rep.; c/o
KOAX Repair Shop, AAFES-PAC
DD-Camp Market, APO San Francisco 96488

GUAM:

Kenwood Rep.; c/o
Guam NEX No. 230-010,
FPO San Francisco 96630
Kenwood Rep.; c/o
GUAX, AAFES-PAC, APO San Francisco 96334

U.S.A.:**Hawaii**

Kenwood Factory Service
99-994 Iwaena St., Aiea, Hawaii 96701

Alaska

Vista Radio TV.;
861 East Loop Road, Anchorage, Alaska 99501
Anchorage Commercial Electronics, Inc.;
1450 East 9th Ave., Anchorage, Alaska 99501

In The Continental U.S.A.

For Nearest Authorized Service Center;
Tel: 1-800-536-9663

Kenwood Service U.S.A.

Kenwood Factory Service;
P.O. Box 22745, 2201 East Dominguez Street,
Long Beach, California 90801-5745
Tel: (310) 639-5300

EUROPE:

Please inquire at the military resale outlets where you bought your Kenwood products, or
KENWOOD ELECTRONICS DEUTSCHLAND GMBH:
Rembrücker-Str. 15, 63150 Heusenstamm, Germany
Tel.: 49-06104-69010

MILITARY

Free Manuals Download Website

<http://myh66.com>

<http://usermanuals.us>

<http://www.somanuals.com>

<http://www.4manuals.cc>

<http://www.manual-lib.com>

<http://www.404manual.com>

<http://www.luxmanual.com>

<http://aubethermostatmanual.com>

Golf course search by state

<http://golfingnear.com>

Email search by domain

<http://emailbydomain.com>

Auto manuals search

<http://auto.somanuals.com>

TV manuals search

<http://tv.somanuals.com>