

KENWOOD



KFC-1653MRW

6.5-inch 2-Way Speaker

Le haut-parleur à 2 voies de 6,5 pouces



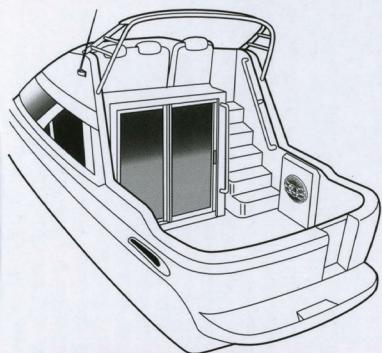
MARINE SPEAKER
HAUT-PARLEUR MARINE

KFC-1653MRW

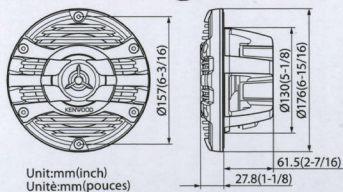
INSTALLATION INSTRUCTIONS
PROCEDURES D'INSTALLATION

TEMPLATE GABARIT PLANTILLA GABARITO

Speaker locations
Emplacement des haut-parleurs
Ubicación de los altavoces
Localização do altifalante



Dimensions
Dimensions
Dimensiones
Dimensões

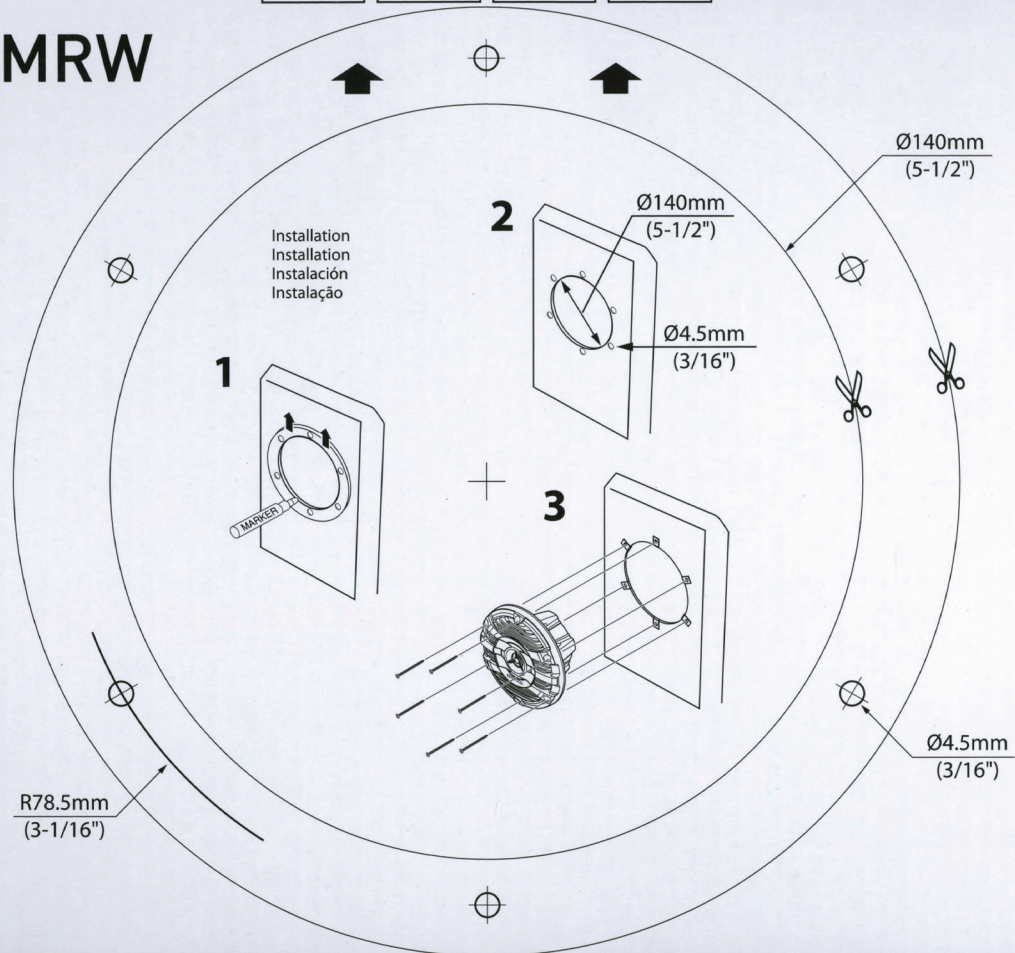


Unit:mm(inch)
Unit:mm(pouces)

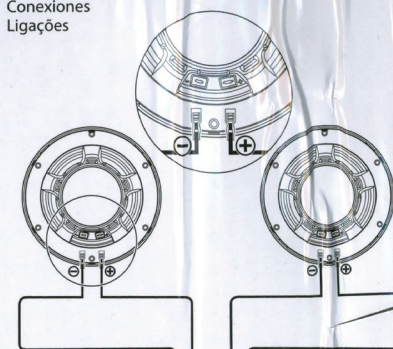
JVCKENWOOD Corporation Yokohama 221-0022 Japan

Designed and Engineered in Japan / Design et Conception au Japon
Made in China / Fabriqué en Chine

VOLUME 0.0089 m³/0.31 ft³ WEIGHT/POIDS 2.1 kg/4.6 lb



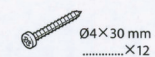
Connections
Raccordements
Conexiones
Ligações



Audio components
Elements hi-fi
Componentes de audio
Componente de áudio

Connect the amplifier's output terminal to each terminal.
Reliez la prise de sortie de l'amplificateur à chaque borne.
Conecte el terminal de salida del amplificador a cada terminal.
Ligue o terminal de saída do amplificador para cada terminal.

Parts included
Pièces comprises
Partes incluidas
Peças inclusas



KENWOOD

KFC-1653MRW

The KFC-1653MRW 6.5-inch 2-Way speaker has:

- Waterproof polypropylene Cone
- 150 Watts Peak Power
- UV Resistant Grille
- Balanced Dome Tweeter



1 pair

SPECIFICATIONS

- Speakers
 - Woofers 160 mm (6-1/2 in.) Cone Type
 - Tweeter..... 25 mm (1 in.) Balanced dome Type

- 50 Watts RMS
- Impedance 4 Ω
- Sensitivity 86 dB / W at 1 m
- Frequency Response 60 Hz ~ 20,000 Hz
- Cutout Diameter 5-1/8 in. (13 cm) Circle
- Mounting Depth 2-7/16 in. (6.15 cm)



IMPORTANT SAFETY INSTRUCTIONS



CAUTION

To avoid the risk of human injury or property damage, be sure to read and observe the following safety cautions.

Have a specialist install and connect the speaker. — Incorrect installation may lead to vehicle accident or malfunction.

Avoid unstable installation. — Make sure that the speaker will not rattle or displace. Otherwise, a displaced speaker may cause injury.

Do not modify the speaker. — Otherwise, smoke or fire may result.

Do not touch the speaker. — The speaker becomes hot after extended operation. Touching it in such a condition may cause burns.

Control listening volume at an optimum level. — If the sound outside the vehicle is inaudible, a traffic accident may result.

In case of abnormality, stop the use and disconnect the speaker. — If operation is continued, smoke or fire may result. Disconnect the speaker and ask servicing.

Free Manuals Download Website

<http://myh66.com>

<http://usermanuals.us>

<http://www.somanuals.com>

<http://www.4manuals.cc>

<http://www.manual-lib.com>

<http://www.404manual.com>

<http://www.luxmanual.com>

<http://aubethermostatmanual.com>

Golf course search by state

<http://golfingnear.com>

Email search by domain

<http://emailbydomain.com>

Auto manuals search

<http://auto.somanuals.com>

TV manuals search

<http://tv.somanuals.com>