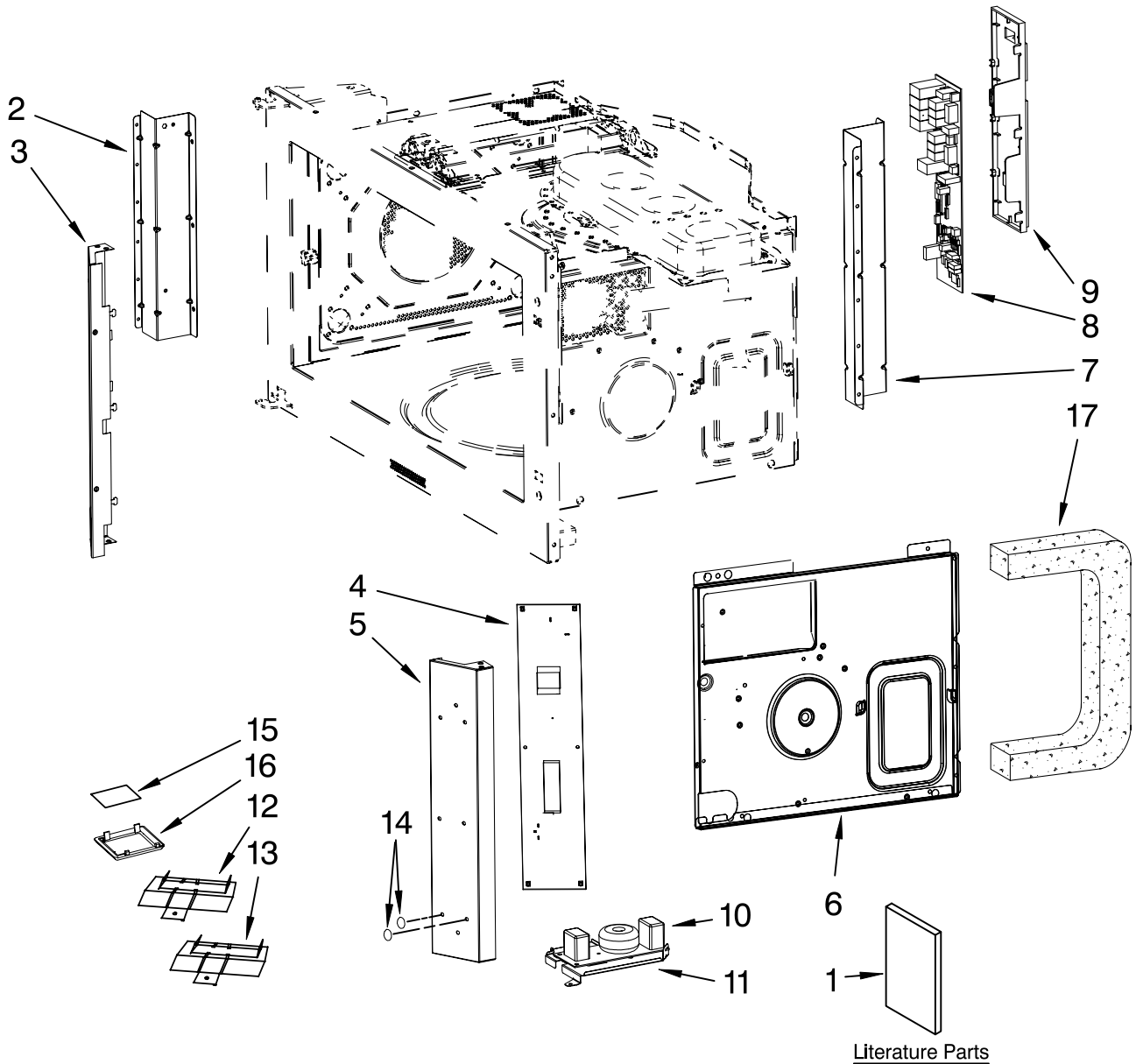


# CONTROL BOARD PARTS

For Models: KHMS2056SWH0, KHMS2056SBL0, KHMS2056SSS0  
(White) (Black) (Stainless Steel)

MICROWAVE  
HOOD  
COMBINATION

**KitchenAid®**



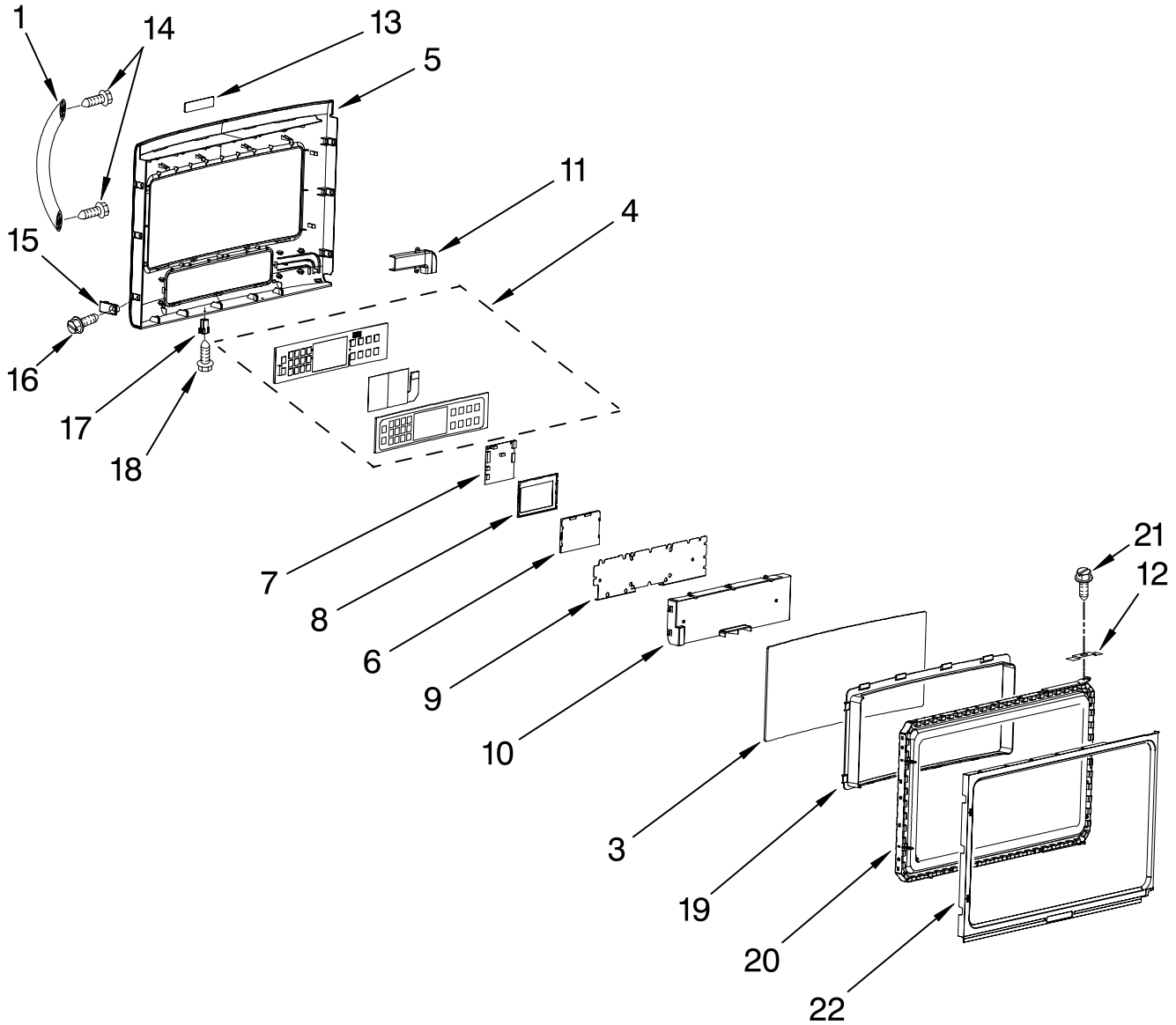
Literature Parts

Illus. No.	Part No.	DESCRIPTION	Illus. No.	Part No.	DESCRIPTION	Illus. No.	Part No.	DESCRIPTION
1	W10117076	Literature Parts Use & Care Guide	4	8206608	Control Board, (Relay)	10	8206062	AC Line Filter
	8205288	Tech Sheet	5	8206061	Plate, Protection (Right)	11	8206060	Holder, Filter
	8205744	Quick Reference	6	W10113785	Plate, Protection (Left)	12	W10113782	Resistor (50W)
2	8206039	Support, Cavity (Left)	7	8206065	Support, Cavity (Right)	13	W10113783	Resistor (25W)
3	8206040	Plate, Protection (Left)	8	8206493	Board, Relay	14	W10113784	Spacer (6)
			9	8206053	Holder, Microcomputer	15	8169499	Glass, Lamp
						16	8169646	Frame, Glass
						17	W10143955	Seal, Foam

FOR ORDERING INFORMATION REFER TO PARTS PRICE LIST

# DOOR PARTS

For Models: KHMS2056SWH0, KHMS2056SBL0, KHMS2056SSS0  
(White) (Black) (Stainless Steel)

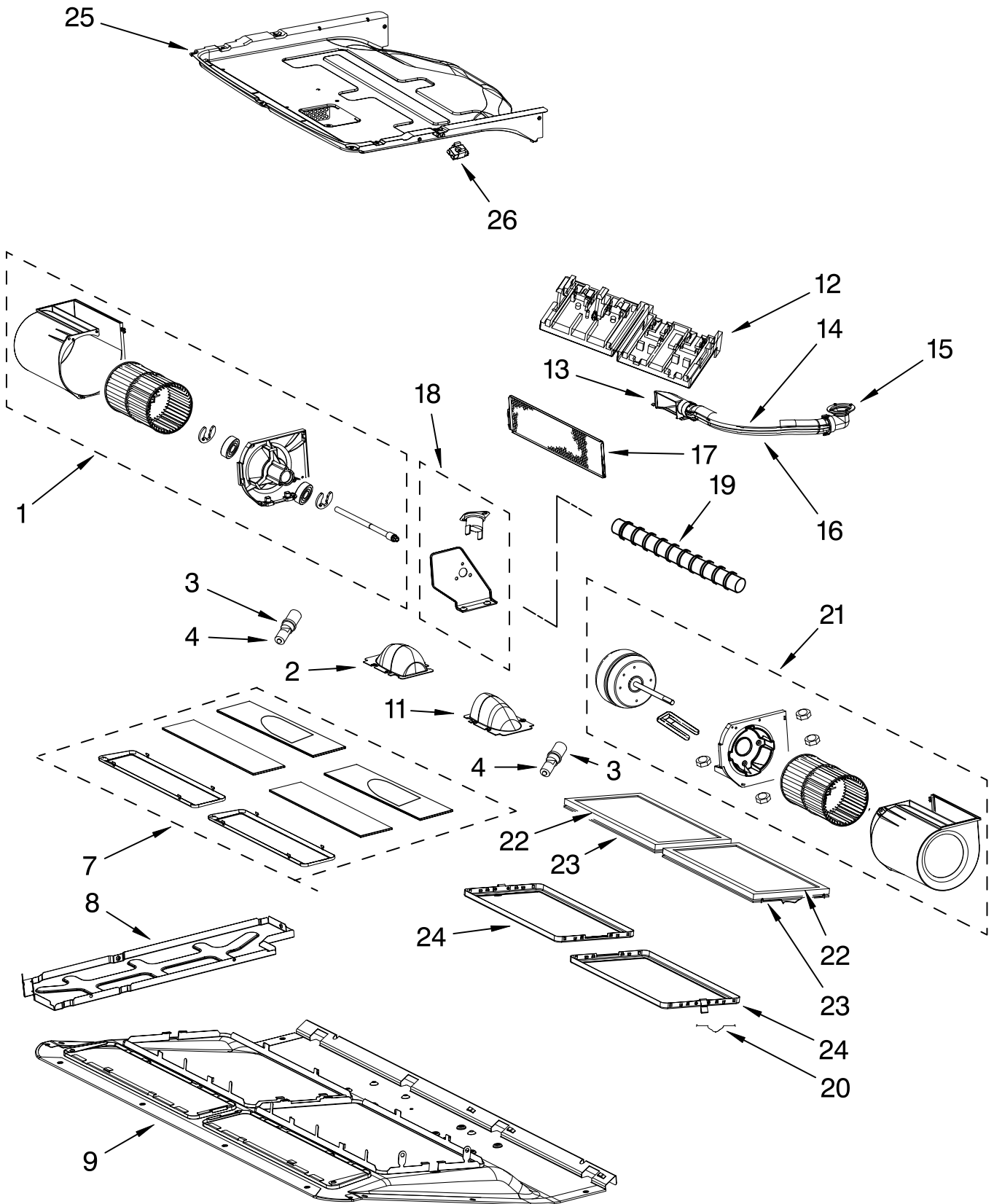


Illus. No.	Part No.	DESCRIPTION	Illus. No.	Part No.	DESCRIPTION	Illus. No.	Part No.	DESCRIPTION
1	8206501	Handle	7	W10143961	Board, User (Interface)	15		Spacer, Side (6)
	W10110267	White	8	W10143962	LCD Module		8206522	White
	W10116265	Black	9	8206511	Cntrl Panel Plate		8206523	Black
3	8206528	Outer Door Glass	10	8206512	Cntrl Panel Cover		8206525	Stainless Steel
4	8206635	Control Panel	11	8206527	Cable Cover, Door	16	8206215	Screw (6)
5		Outer Door Frame	12	W10143965	Clip,Hinge Screw	17	8206178	Spacer, Bottom (2)
	8206518	White	13		Logo	18	8206179	Screw (2)
	8206519	Black		8206514	White	19	8206529	Cover, Choke
	8206521	Stainless Steel		8206515	Black	20	W10112215	Door Plate Assy
6	W10116269	LCD Frame		8206517	Stainless Steel	21	W10143963	Hinge Screw
			14	8206513	Screw (2)	22	W10143964	Dr Innr Frm Assy

FOR ORDERING INFORMATION REFER TO PARTS PRICE LIST

# VENTILATION PARTS

For Models: KHMS2056SWH0, KHMS2056SBL0, KHMS2056SSS0  
(White) (Black) (Stainless Steel)



FOR ORDERING INFORMATION REFER TO PARTS PRICE LIST

# VENTILATION PARTS

For Models: KHMS2056SWH0, KHMS2056SBL0, KHMS2056SSS0  
 (White) (Black) (Stainless Steel)

Illus. No.	Part No.	DESCRIPTION
1	8206092	Housing, Blower (Left)
2	W10143957	Reflector, Lamp
3	8204670	Lamp (2)
4	W10143958	Socket, Lamp (2) (Left)
7		Frame, Glass
	W10113788	Left
	W10113789	Right
8	8206097	Plate, Separator (Left)
9	8206497	Plate, Bottom
11	W10143960	Reflector, Lamp
12	8206103	Cover, Terminal
13	8206104	Diffuser
14	8206105	Cover, Duct
15	8206106	Connector, Duct
16	8206107	Holder, Duct
17	8206498	Shield
18	8206212	Support & Base Thermostat Assy
19	8206263	Connector Shaft
20	8206499	Spring
21	8206112	Housing, Blower (Right)
22	W10120840	Filter, Charcoal
23	W10120839	Filter, Grease
24	W10113792	Spring, Hook
25	W10143951	Air Guide, Center Hood
26	W10110862	Mounting Nut (2)

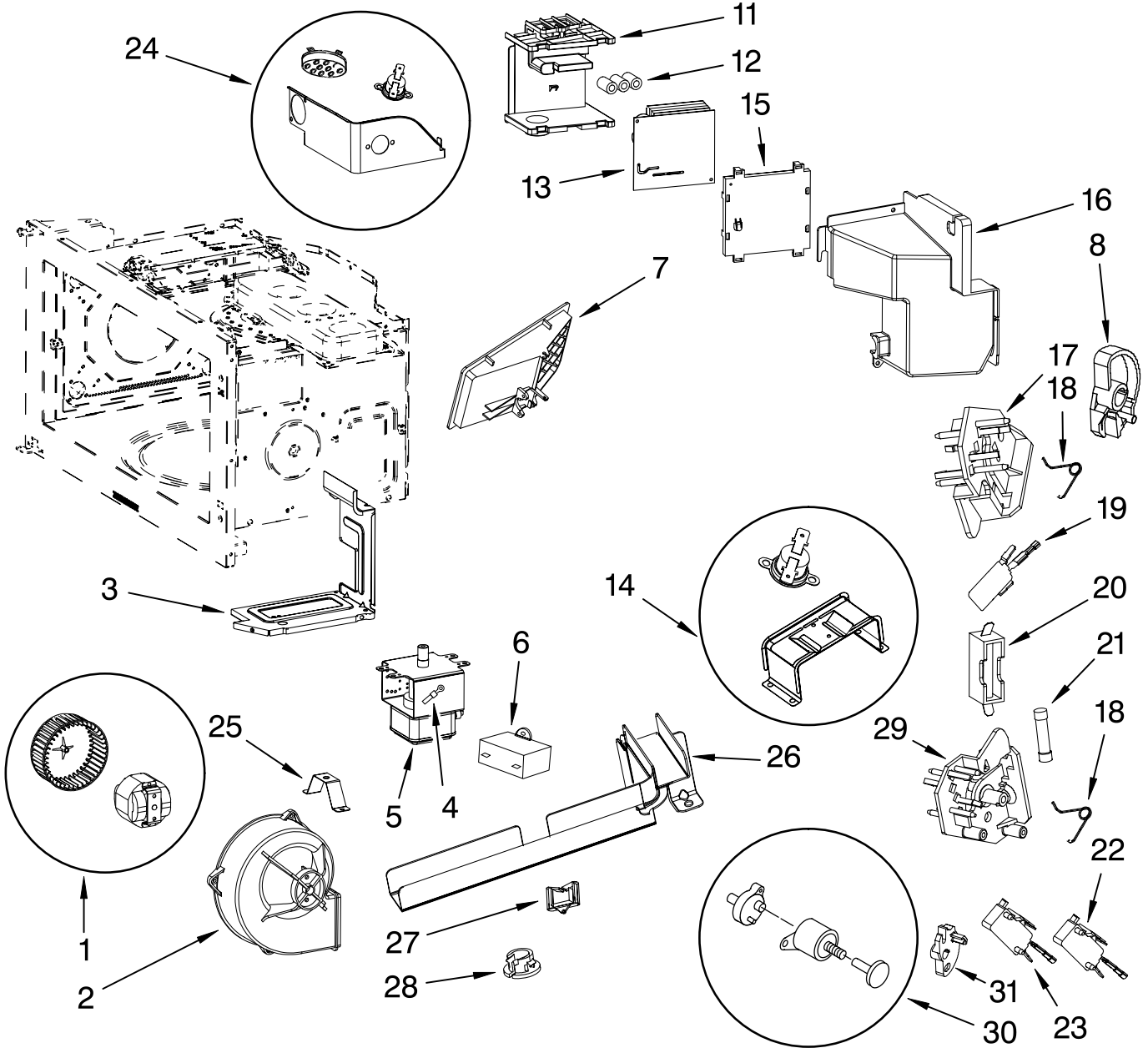
# INTERIOR AND AIR FLOW PARTS

For Models: KHMS2056SWH0, KHMS2056SBL0, KHMS2056SSS0

(White)

(Black)

(Stainless Steel)



Illus. No.	Part No.	DESCRIPTION
1	8206075	Fan Motor Assy
2	8206076	Housing, Fan
3	8206077	Plate, Divider
4	8206078	Thermistor, Magnetron
5	8206079	Magnetron
6	8206080	Motor, Capacitor
7	8206081	Housing, Valve
8	W10113786	Cam Plate (Upper)
11	8206085	Cover, Inverter
12	8206086	Ferrite Ring
13	8206087	Inverter

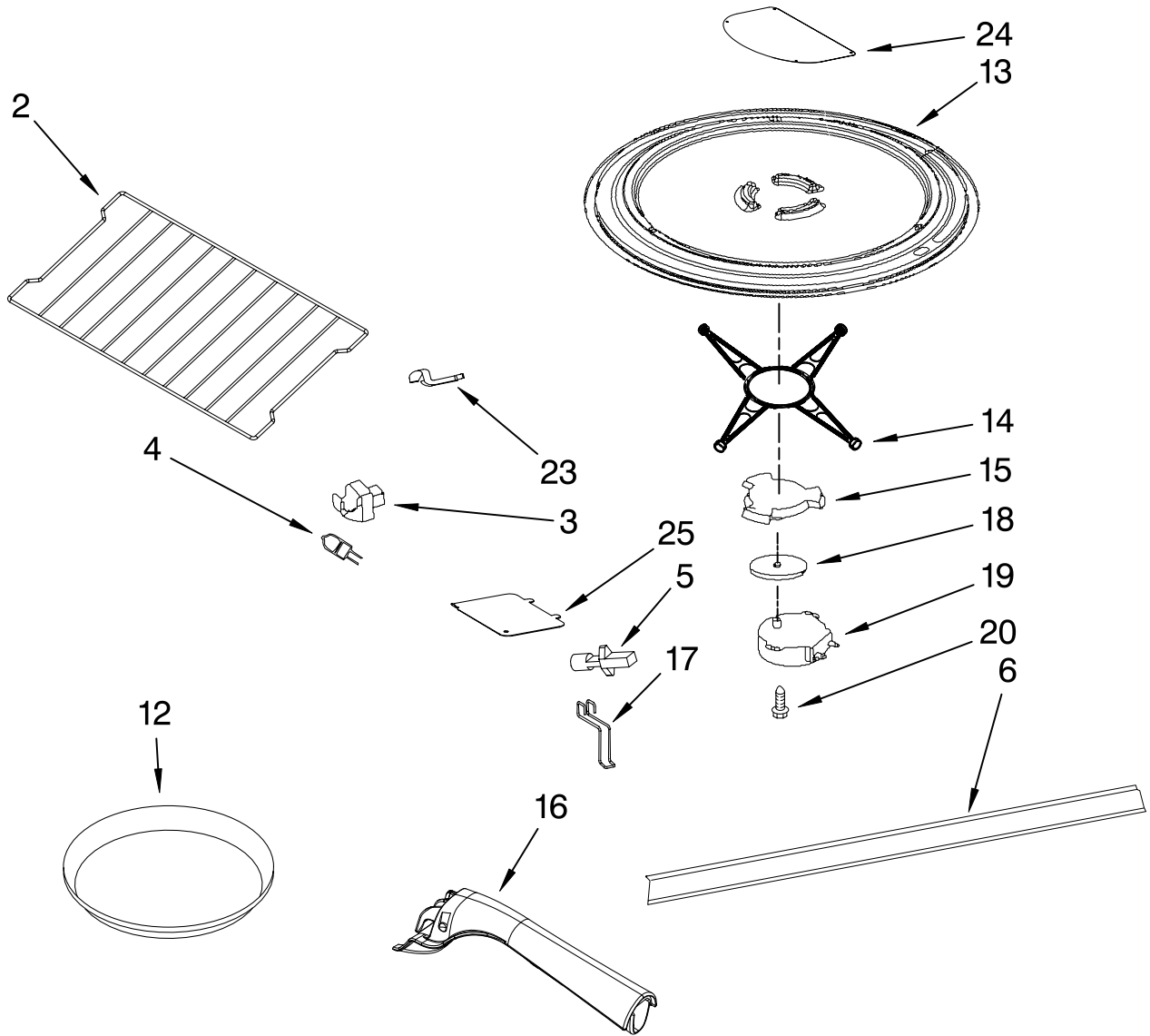
Illus. No.	Part No.	DESCRIPTION
14	8206035	Thermostat, Base Assembly
15	8206089	Holder, Inverter
16	8206494	Air Guide, Magnetron
17	W10143956	Support, Interlock
18	8206091	Spring, Interlock
19	8206345	Switch, Micro (Secondary)
20	8184312	Holder, Fuse
21	4393308	Fuse

Illus. No.	Part No.	DESCRIPTION
22	8206347	Switch, Micro (Monitor)
23	8206352	Switch, Micro (Primary)
24	8206026	Humidity Sensor & Thermostat Assy
25	8206031	Support, Air Guide
26	8206477	Protector, Wire
27	8206037	Clip, Saddle
28	8206038	Clip, Round
29	8206209	Support, Interlock
30	8206210	Piston Assembly
31	W10113787	Cam Plate (Lower)

FOR ORDERING INFORMATION REFER TO PARTS PRICE LIST

# RACK AND TURNTABLE PARTS

For Models: KHMS2056SWH0, KHMS2056SBL0, KHMS2056SSS0  
 (White) (Black) (Stainless Steel)



Illus. No.	Part No.	DESCRIPTION
2	8206117	Rack
3	8206118	Hook, Rack (4)
4	8204670	Lamp, Cavity
5	W10113781	Holder, Lamp
6	8205980	Deflector, Air
12	8205996	Plate, Crisp

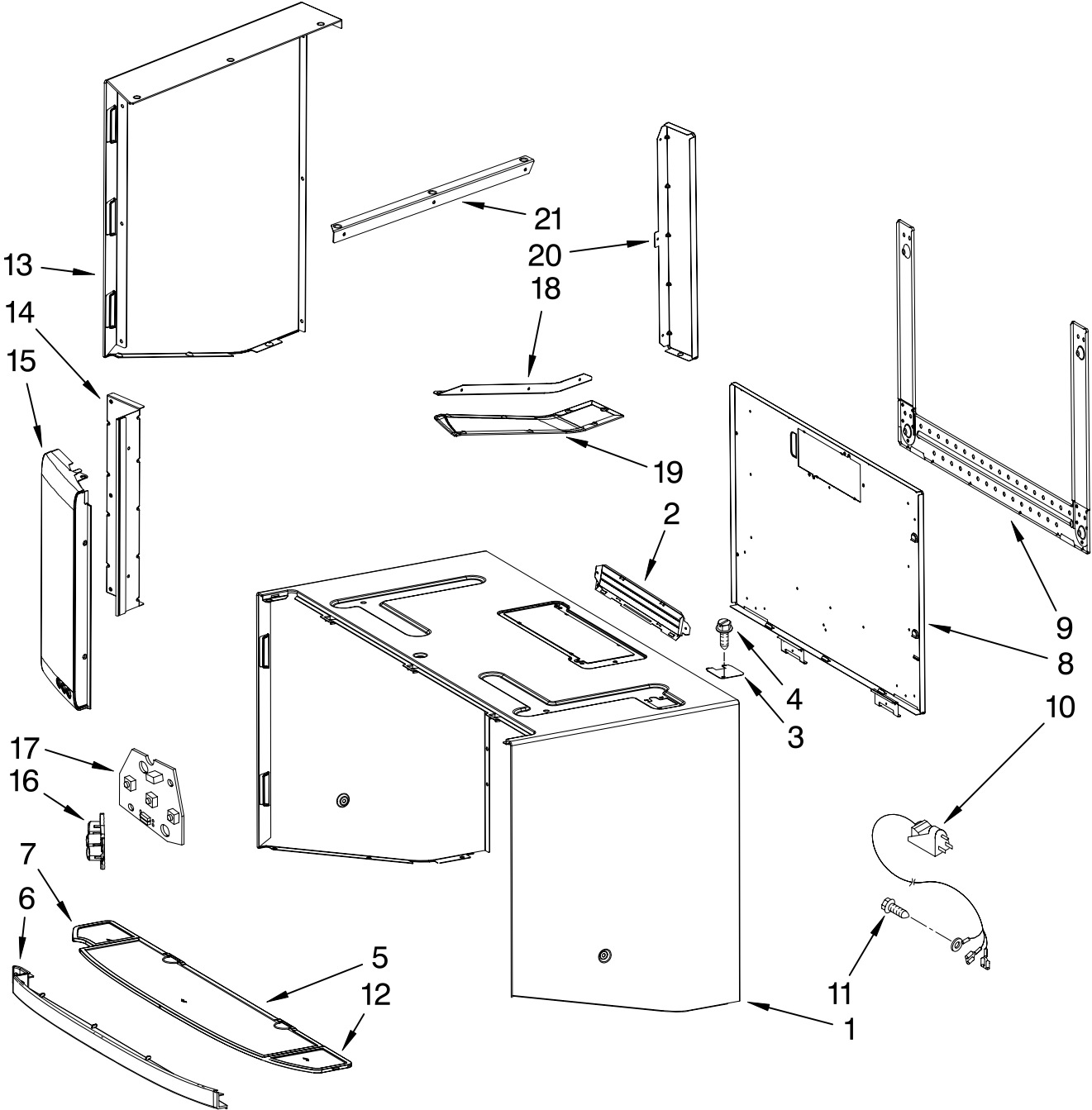
Illus. No.	Part No.	DESCRIPTION
13	8205992	Turntable
14	8206222	Ring, Turntable
15	8205994	Driver, Turntable
16	W10106520	Handle
17	8206034	Clip, Cavity Lamp

Illus. No.	Part No.	DESCRIPTION
18	8206101	Spacer
19	W10143959	Motor, Turntable
20	4393832	Screw
23	8206116	Spacer
24	8206066	Cover, Inlet
25	8206476	Lid, Lamp

FOR ORDERING INFORMATION REFER TO PARTS PRICE LIST

# CABINET AND INSTALLATION PARTS

For Models: KHMS2056SWH0, KHMS2056SBL0, KHMS2056SSS0  
(White) (Black) (Stainless Steel)



FOR ORDERING INFORMATION REFER TO PARTS PRICE LIST

# CABINET AND INSTALLATION PARTS

For Models: KHMS2056SWH0, KHMS2056SBL0, KHMS2056SSS0

(White)

(Black)

(Stainless Steel)

Illus. No.	Part No.	DESCRIPTION	Illus. No.	Part No.	DESCRIPTION	Illus. No.	Part No.	DESCRIPTION
1		Case, Outer	14	W10143976	Side Panel Sup.(2)			<b>Miscellaneous</b>  W10128803 Hardware, Install 8205274 Template, Upper W10113776 Harns-Wire,#70 RCB W10113062 Main Harness 8206185 Ground Wire 8206186 Ground Wire (Mag) W10143999 Harns-Wire, Cooktp W10112290 Harns-Wire,#71 RCB W10113777 Harns-Wire, RCB - Inverter 8206189 Hood/Light Control Harns-Wire #74 W10113778 Hood/Light Control Harns-Wire #73 W10113779 Harns-Wire #75 P64 RCB W10113780 Harns-Wire #76 P2 RCB 8206468 Harns-Wire #77 P3 LCD to UIB
	W10143952	White	15		Panel, Front			
	W10143953	Black		W10143977	White, Left			
	W10143954	Apollo Grey		W10143986	White, Right			
2	8206442	Damper		W10143978	Black, Left			
3	8184897	Lid, Power Cord		W10143987	Black, Right			
4	4393472	Screw		W10143979	Stnls. Left			
5	8206475	Vent Screen (Middle)		W10143988	Stnls. Right			
6		Support, Vent Screen	16		Button			
	8206011	White		W10143980	White			
	W10143735	Black		W10143981	Black			
	W10116263	Stainless		W10143982	Stainless			
7	8206207	Vent Screen (Left)	17	W10143983	Hood/Light Switch Board			
8	8206051	Plate, Back	18		Bracket			
9	8206319	Plate, Mounting		W10143984	Lower Left			
10	8206182	Cord, Power		W10143990	Lower Right			
21		Bracket, Upper	19		Plate (Co.)			
11	4393836	Screw		W10143985	Bottom, Left			
12	8206206	Vent Screen (Right)		W10143989	Bottom, Right			
13		Panel, Side	20		Plate, Back			
	W10143968	White, Left		W10143994	Right			
	W10143991	White, Right		W10143996	Left			
	W10143969	Black, Left	21		Bracket, Upper			
	W10143992	Black, Right		W10143995	Right			
	W10143975	Stainless, Left		W10143997	Left			
	W10143993	Stainless, Right						

FOR ORDERING INFORMATION REFER TO PARTS PRICE LIST



## Free Manuals Download Website

<http://myh66.com>

<http://usermanuals.us>

<http://www.somanuals.com>

<http://www.4manuals.cc>

<http://www.manual-lib.com>

<http://www.404manual.com>

<http://www.luxmanual.com>

<http://aubethermostatmanual.com>

Golf course search by state

<http://golfingnear.com>

Email search by domain

<http://emailbydomain.com>

Auto manuals search

<http://auto.somanuals.com>

TV manuals search

<http://tv.somanuals.com>