

# PARTS LIST

for

# **KitchenAid®**

## **5 QT. STAND MIXER**

### **ARTISAN TILT HEAD**

#### **MODELS:**

**KSM150PSOB1 (Onyx Black)**  
**KSM150PSMY1 (Majestic Yellow)**  
**KSM150PSGR1 (Imperial Grey)**  
**KSM150PSGN1 (Empire Green)**  
**KSM150PSER1 (Empire Red)**  
**KSM150PSBU1 (Cobalt Blue)**  
**KSM150PSAC1 (Almond Creme)**  
**KSM150PSCL1 (Crystal Blue)**



FOR CUSTOMER SATISFACTION ALWAYS USE  
FACTORY SPECIFICATION PARTS

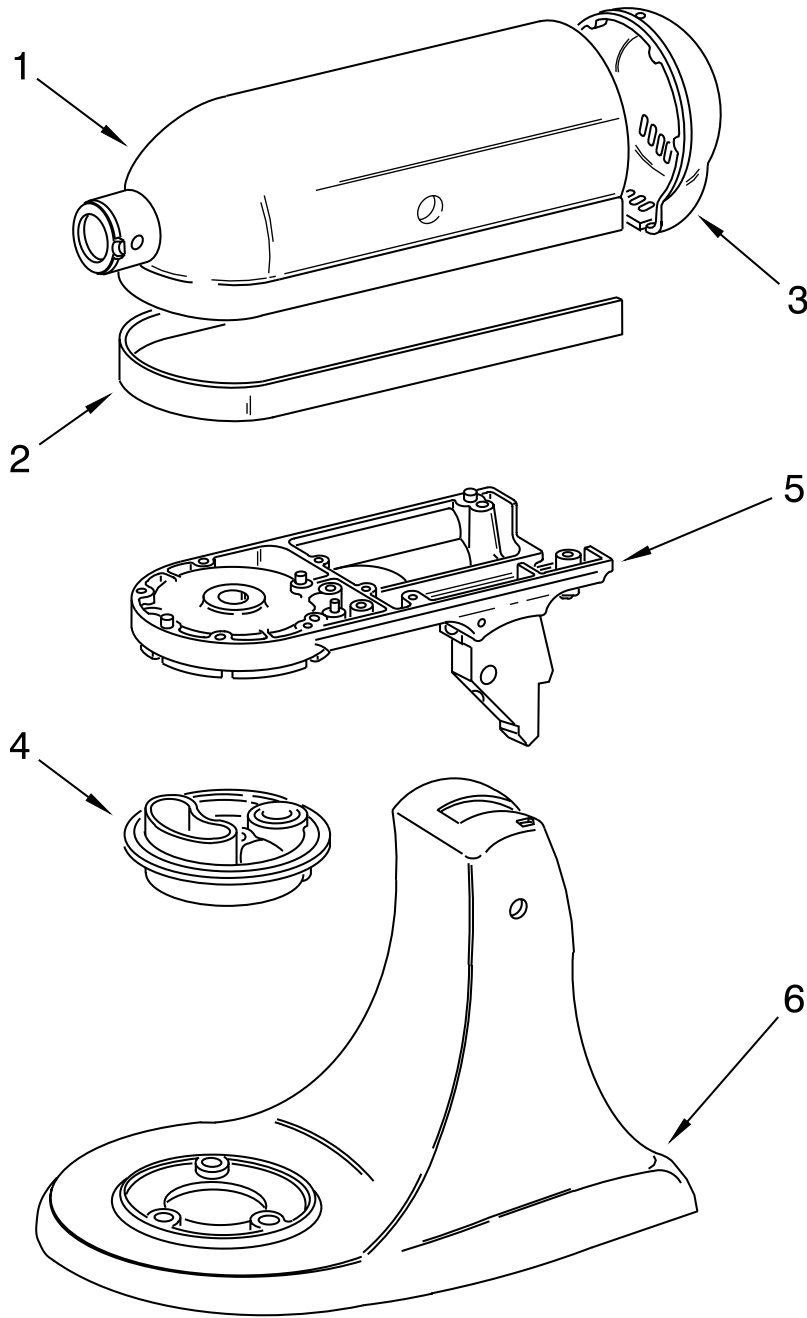


KITCHENAID

ST. JOSEPH MICHIGAN 49085

# COLOR VARIATION PARTS

For Models: KSM150PS\_1



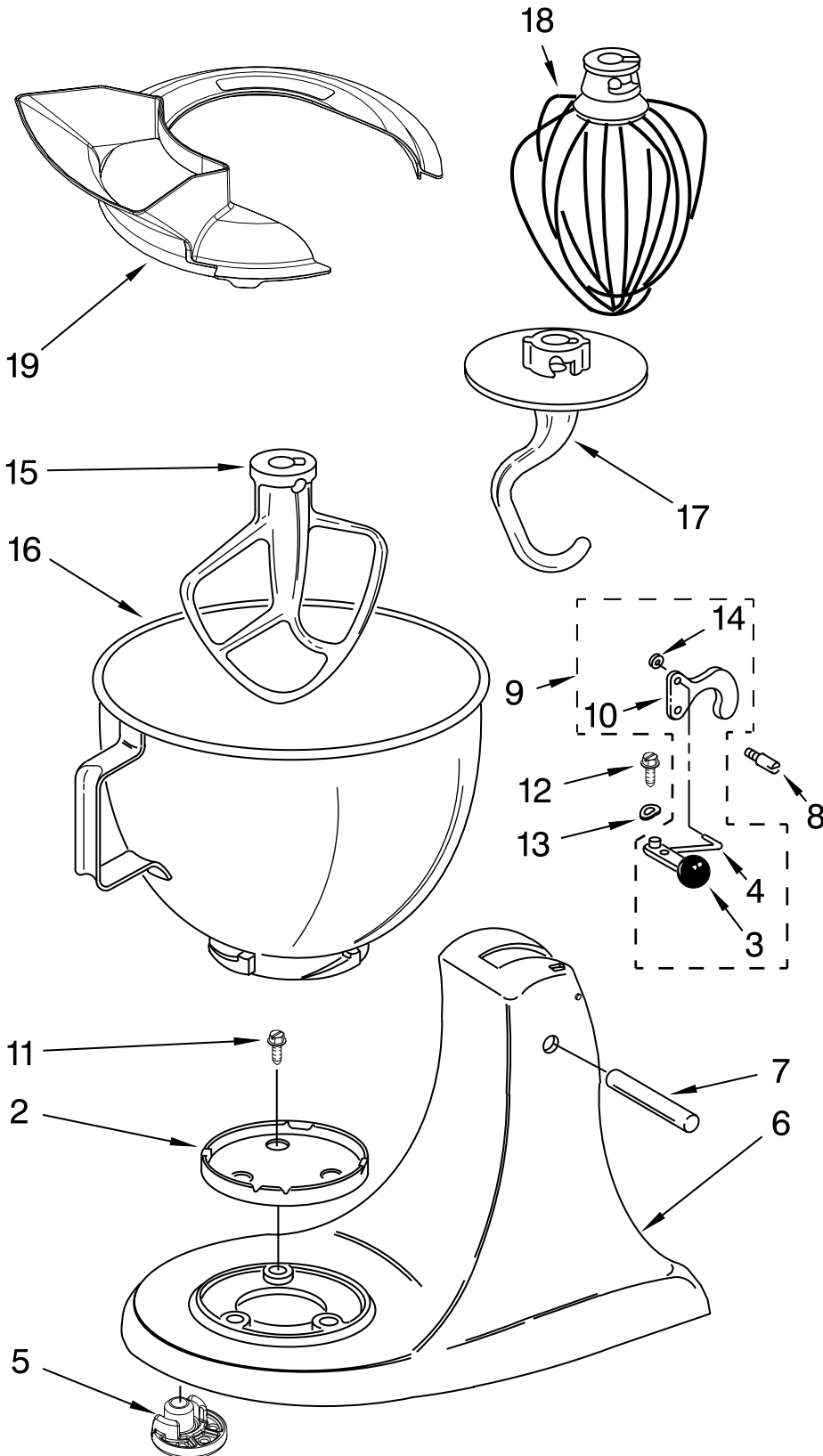
Illus. No.	Part No.	DESCRIPTION	
1	240291-13	Motor Housing Onyx Black	
	240291-20	Majestic Yellow	
	240291-22	Imperial Grey	
	240291-10	Empire Green	
	240291-21	Empire Red	
	240291-7	Cobalt Blue	
	240291-16	Almond Creme	
	W10476791	Crystal Blue	
	2	9706630	Trim Band Black/Silver
		9706632	Almond Creme
3		End Cover	
	240253-14	Onyx Black	
	240253-21	Majestic Yellow	
	240253-23	Imperial Grey	
	240253-11	Empire Green	
	240253-22	Empire Red	
	240253-8	Cobalt Blue	
	240253-16	Almond Creme	
	W10476773	Crystal Blue	
	4		Planetary
240286-16		Onyx Black	
240286-22		Majestic Yellow	
240286-24		Imperial Grey	
240286-13		Empire Green	
240286-23		Empire Red	
240286-10		Cobalt Blue	
240286-18		Almond Creme	
W10476794		Crystal Blue	
5			Lower Gearcase
	240350-56	Onyx Black	
	240350-82	Majestic Yellow	
	240350-86	Imperial Grey	
	240350-46	Empire Green	
	240350-84	Empire Red	
	240350-31	Cobalt Blue	
	240350-62	Almond Creme	
	W10476775	Crystal Blue	
	6		Pedestal
3179275		Onyx Black	
9702303		Majestic Yellow	
9702305		Imperial Grey	
3179273		Empire Green	
9702304		Empire Red	
3179263		Cobalt Blue	
3179277		Almond Creme	
W10488414		Crystal Blue	

Colors Subject To Change.  
 Any Color Not Listed is  
 No Longer Available.  
 If Additional Colors Are Added,  
 This Page Will Be Updated.

FOR ORDERING INFORMATION REFER TO PARTS PRICE LIST

# BASE AND PEDESTAL UNIT

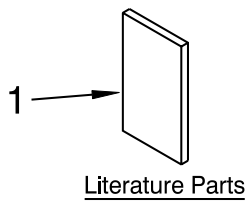
For Models: KSM150PS\_1



Illus. No.	Part No.	DESCRIPTION
------------	----------	-------------

1	9709785	Literature Parts Use & Care Guide
	W10122280	Repair Parts List
2	W10191926	Screw Cap Kit
3		Lever, Latch
	9709280	Black
	9709282	Buff
4	24450	Link, Latch
5	9709707	Foot, Base
6	**	Pedestal
7	16910	Pin, Hinge
8	103993	Screw, Latch Bearing
9	24452	Latch, Link & Lever
10	9709055	Latch
11	3400020	Screw
12	110679	Screw, Pivot
13	116241	Washer, Spring
14	8533912	Washer
15		Beater, Flat
	9708472	Coated, White
16	W10245282	Bowl, 5 Qt.
17	9708471	Hook, Dough
18	9704329	Whip, Wire
19	9709923	Shield, Pouring

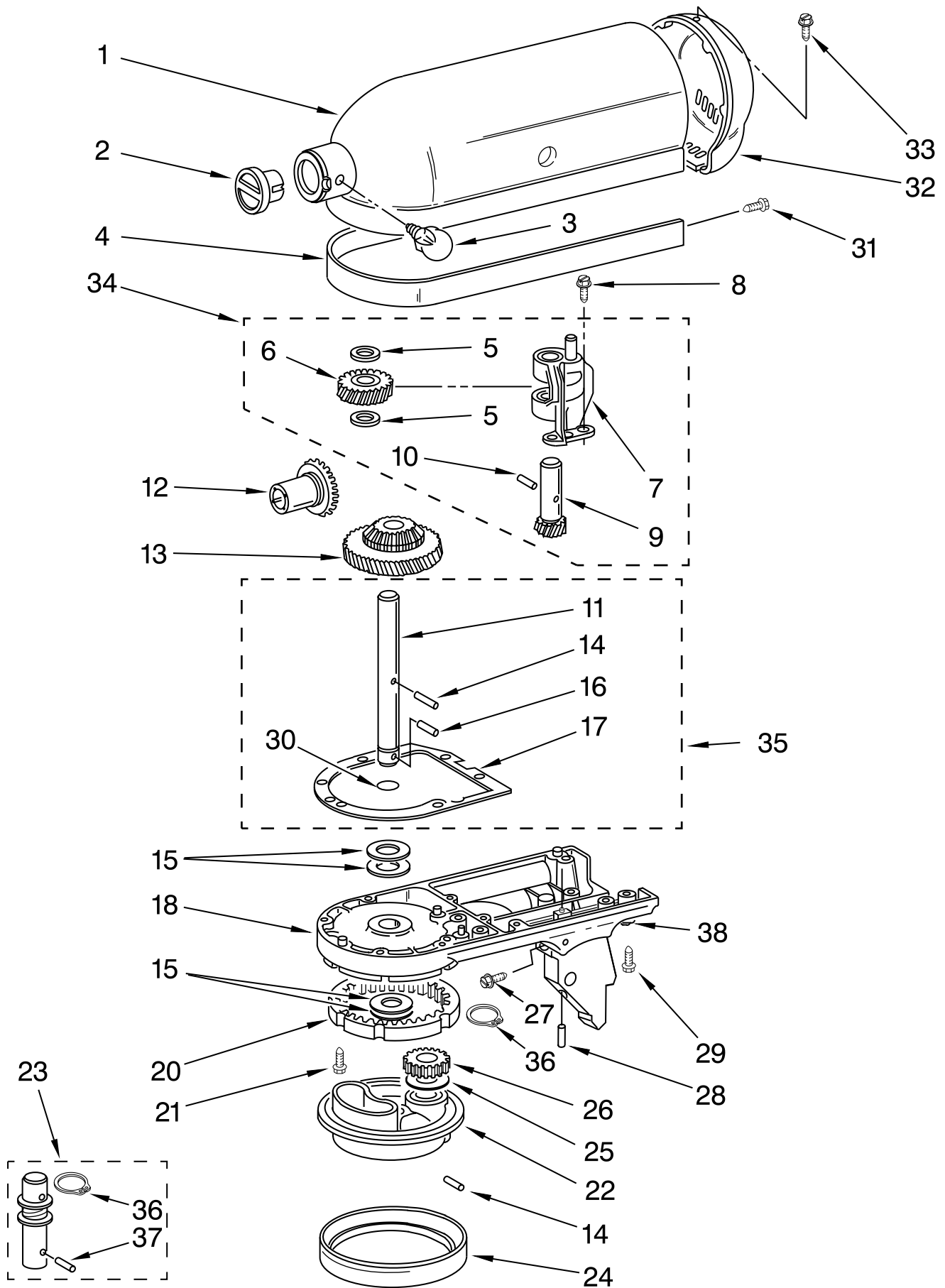
\*\*REFER TO PAGE 2



FOR ORDERING INFORMATION REFER TO PARTS PRICE LIST

# CASE, GEARING AND PLANETARY UNIT

For Models: KSM150PS\_1



FOR ORDERING INFORMATION REFER TO PARTS PRICE LIST

# CASE, GEARING AND PLANETARY UNIT

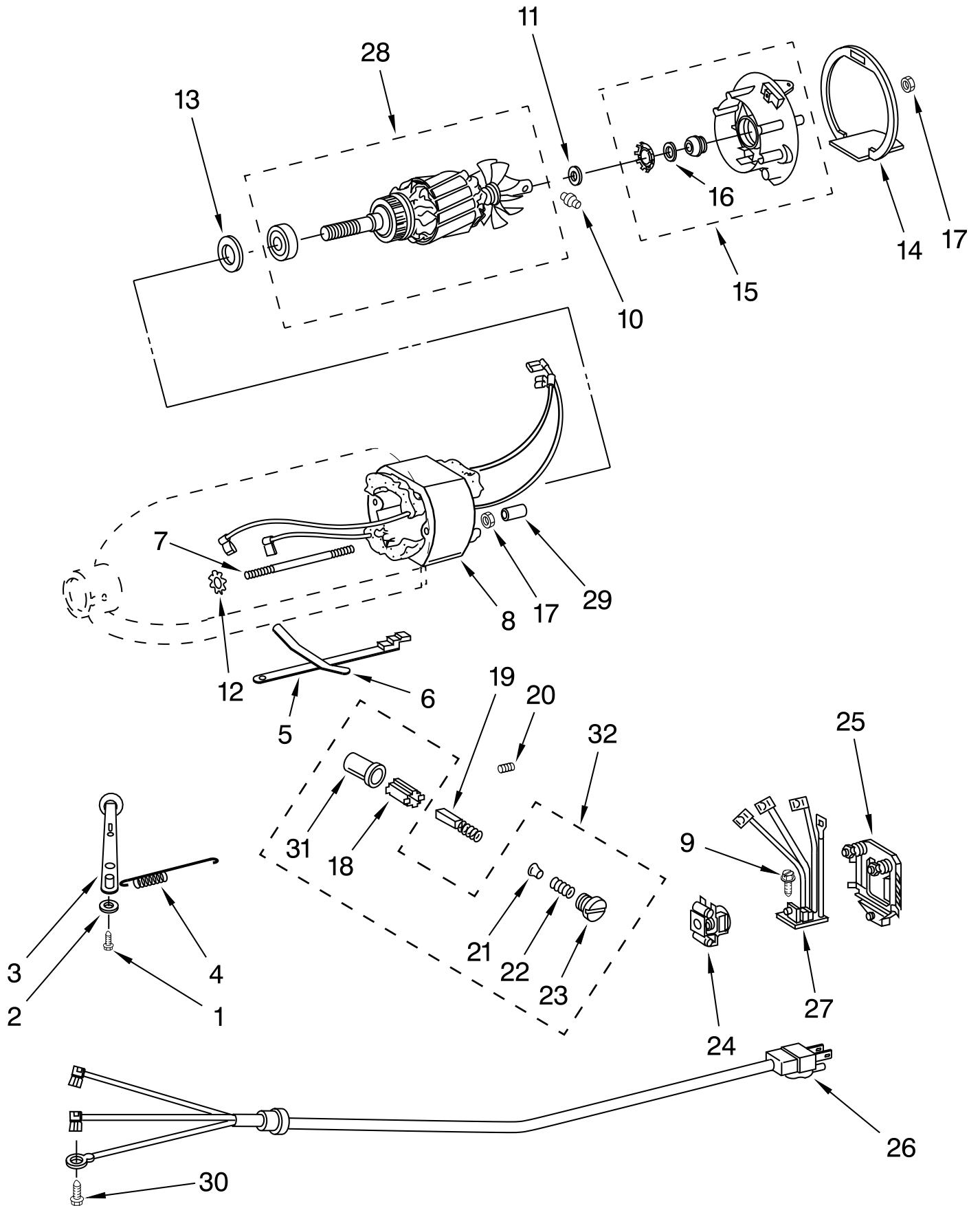
For Models: KSM150PS\_\_1

Illus. No.	Part No.	DESCRIPTION	Illus. No.	Part No.	DESCRIPTION	Illus. No.	Part No.	DESCRIPTION
1	**	Gearcase Motor Housing	12	9705130	Gear, Attachment Hub Bevel	25	9706090	Washer
2		Cap, Attachment Hub	13	9709627	Bevel Pinion Center Gear	26	9703903	Pinion, Gear Agitator Shaft
	242765-2	Chrome	14	240018-1	Pin (Vertical Center Shaft)	27	89411	Screw, Adjusting
	242765-5	Almond Creme	15	W10323378	Washer	28	3400203	Screw, Set
3		Thumb Screw	16	9705443	Pin, Groove	29	3400025	Screw
	9709194	Black	17	4162324	Gasket, Transmission Case	30	67500-55	"O" Ring
	9709198	Buff	18	**	Lower Gear Case	31	311932	Screw
4	**	Band, Trim	20	9703904	Gear, Internal	32	**	Cover, End
5	W10323373	Washer	21	103994	Screw	33	4162914	Screw
6	W10112253	Worm Gear	22	**	Planetary	34	240309-2	Worm Gear Bracket And Gear
7	240308	Worm Gear Bracket And Bearing	23	4176067	Agitator Shaft	35	4160474	Center Shaft & "O" Ring
8	3400022	Screw	24	240285	Ring, Planetary Drip	36	9703438	Ring
9	240210-2	Shaft & Pinion				37	9704677	Pin, Groove
10	9705444	Pin				38	8533914	Washer, Spring Lock
11	240026	Shaft, Vertical Center						

\*\*Refer to Page 2

# MOTOR AND CONTROL PARTS

For Models: KSM150PS\_1



FOR ORDERING INFORMATION REFER TO PARTS PRICE LIST

# MOTOR AND CONTROL PARTS

For Models: KSM150PS\_\_1

<b>Illus. No.</b>	<b>Part No.</b>	<b>DESCRIPTION</b>
1	110679	Screw, Pivot
2	116241	Washer, Spring
3		Lever, Speed Control Assy
	9709276	Black
	9709278	Buff
4	3183680	Spring, Control Plate
5	3184176	Speed Link & Cam
6	240205	Spring, Flat
7	240769	Screw
8	W10315774	Field Assy, 120 V
9	W10068260	Screw
10	16998	Stud, Governor Drive
11	W10419328	Washer
12	W10068270	Washer
13	9704324	Washer, Ball Bearing (Front)
14	240775-1	Seal, End
15	3180526	Bracket, Bearing Asm.
16	3180238	Washer
17	W10131078	Nut
18	240680	Insert, Brush Holder
19	W10380496	Brush, w/Spring
20	9707926	Screw, Set
21	116286	Cap, Spring Seat
22	116287	Spring, Cap
23		Cap, Brush Holder
	3184212	Black
	3184213	Almond Creme
24	W10330804	Governor Assembly
25	W10119326	Control Plate Assembly
26		Power Cord
	W10325327	White
	W10164883	Black
27	W10325124	Phase Control Board
28	W10315777	Armature & Bearing
29	4162634	Sleeve, Motor Stud
30	3184609	Screw, Self Tapping
31	3179908	Housing, Brush Holder
32	4162546	Brush Holder

FOR ORDERING INFORMATION REFER TO PARTS PRICE LIST

# ACCESSORY PARTS

For Models: KSM150PS\_\_1

<b>Illus.</b>	<b>Part</b>	
<b>No.</b>	<b>No.</b>	<b>DESCRIPTION</b>

---

**FOLLOWING PARTS  
NOT ILLUSTRATED**

---

4164839	Speed Disc (Service Tool)
4176597	Grease, Planetary
4164778	Mixer Attachment Pak (Includes Food Grinder (FGA), Food Strainer (FVSP), And Vegetable Slicer, (RVSA) (FPPA)
4164749	Food Grinder (FGA)
W10318099	Grain Mill (KGM-0)
4164775	Fruit/Vegetable Strainer Parts (Use With FGA Model Only) (FVSP)
4164750	Rotor Slicer/ Shredder(With 4 Standard Cones) Fine Shredder, Coarse Shredder, Thick Slicer,and Thin Slicer (RVSA)
9709923	Pouring Shield (KN1PS0)
4164774	Fruit/Vegetable Strainer and Food Grinder (FVSFGA)
4396709	Cover, Quilted (KMCC1WH)
4162838	Food Tray (FT)
4164748	Juicer (JE)
4164803	Sausage Stuffer Kit (SSA)
8212519	Ice Cream Maker (KICA0WH0)
9709314	Bowl Cover, (KBC90N1)
242550-2	Bowl, Stainless W/Handle, 4.5 QT
3180262	Bowl, 3 Qt.
KPEXTA	Pasta Extruder w/6 Discs
W10303575	Beater, Flex Edge

FOR ORDERING INFORMATION REFER TO PARTS PRICE LIST



## Free Manuals Download Website

<http://myh66.com>

<http://usermanuals.us>

<http://www.somanuals.com>

<http://www.4manuals.cc>

<http://www.manual-lib.com>

<http://www.404manual.com>

<http://www.luxmanual.com>

<http://aubethermostatmanual.com>

Golf course search by state

<http://golfingnear.com>

Email search by domain

<http://emailbydomain.com>

Auto manuals search

<http://auto.somanuals.com>

TV manuals search

<http://tv.somanuals.com>