

PARTS LIST

for

KitchenAid®

5 QT. STAND MIXER

ARTISAN TILT HEAD

MODELS:

KSM150PSOB1 (Onyx Black)
KSM150PSMY1 (Majestic Yellow)
KSM150PSGR1 (Imperial Grey)
KSM150PSGN1 (Empire Green)
KSM150PSER1 (Empire Red)
KSM150PSBU1 (Cobalt Blue)
KSM150PSAC1 (Almond Creme)
KSM150PSCL1 (Crystal Blue)



FOR CUSTOMER SATISFACTION ALWAYS USE
FACTORY SPECIFICATION PARTS

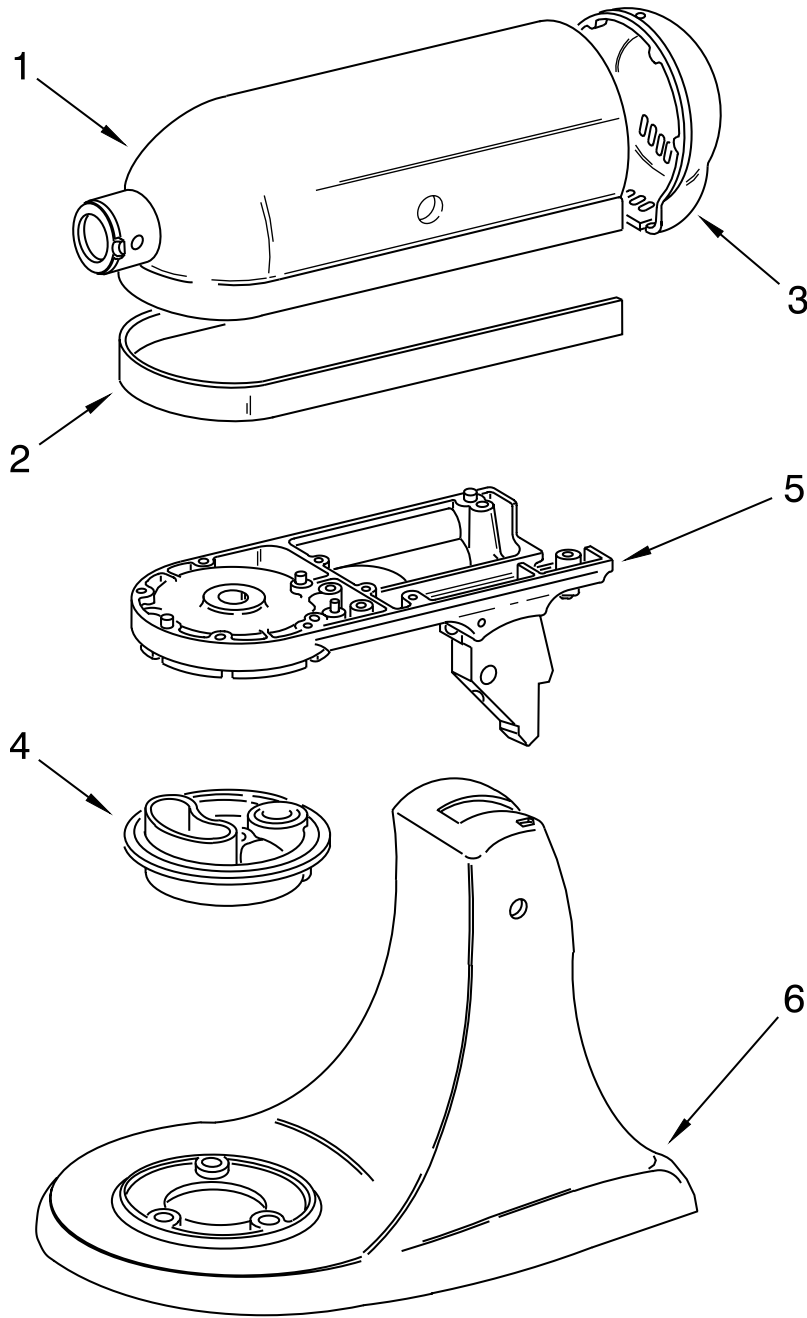


KITCHENAID

ST. JOSEPH MICHIGAN 49085

COLOR VARIATION PARTS

For Models: KSM150PS_1



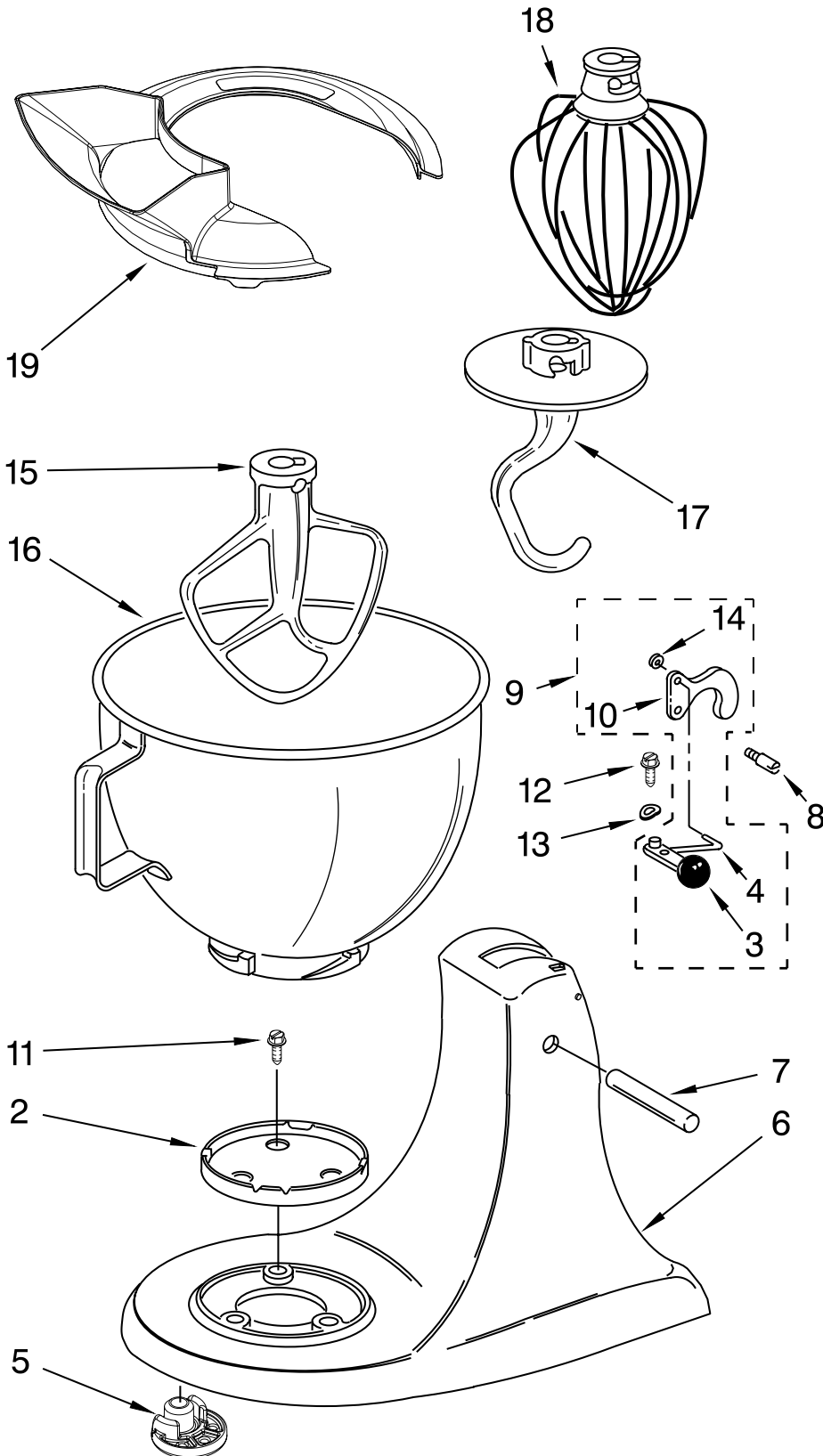
| Illus. No. | Part No. | DESCRIPTION | |
|------------|-----------|--------------------------|------------------------|
| 1 | 240291-13 | Motor Housing Onyx Black | |
| | 240291-20 | Majestic Yellow | |
| | 240291-22 | Imperial Grey | |
| | 240291-10 | Empire Green | |
| | 240291-21 | Empire Red | |
| | 240291-7 | Cobalt Blue | |
| | 240291-16 | Almond Creme | |
| | W10476791 | Crystal Blue | |
| | 2 | 9706630 | Trim Band Black/Silver |
| | | 9706632 | Almond Creme |
| 3 | | End Cover | |
| | 240253-14 | Onyx Black | |
| | 240253-21 | Majestic Yellow | |
| | 240253-23 | Imperial Grey | |
| | 240253-11 | Empire Green | |
| | 240253-22 | Empire Red | |
| | 240253-8 | Cobalt Blue | |
| | 240253-16 | Almond Creme | |
| | W10476773 | Crystal Blue | |
| | 4 | | Planetary |
| 240286-16 | | Onyx Black | |
| 240286-22 | | Majestic Yellow | |
| 240286-24 | | Imperial Grey | |
| 240286-13 | | Empire Green | |
| 240286-23 | | Empire Red | |
| 240286-10 | | Cobalt Blue | |
| 240286-18 | | Almond Creme | |
| W10476794 | | Crystal Blue | |
| 5 | | | Lower Gearcase |
| | 240350-56 | Onyx Black | |
| | 240350-82 | Majestic Yellow | |
| | 240350-86 | Imperial Grey | |
| | 240350-46 | Empire Green | |
| | 240350-84 | Empire Red | |
| | 240350-31 | Cobalt Blue | |
| | 240350-62 | Almond Creme | |
| | W10476775 | Crystal Blue | |
| | 6 | | Pedestal |
| 3179275 | | Onyx Black | |
| 9702303 | | Majestic Yellow | |
| 9702305 | | Imperial Grey | |
| 3179273 | | Empire Green | |
| 9702304 | | Empire Red | |
| 3179263 | | Cobalt Blue | |
| 3179277 | | Almond Creme | |
| W10488414 | | Crystal Blue | |

Colors Subject To Change.
Any Color Not Listed is
No Longer Available.
If Additional Colors Are Added,
This Page Will Be Updated.

FOR ORDERING INFORMATION REFER TO PARTS PRICE LIST

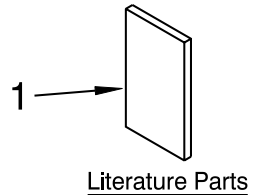
BASE AND PEDESTAL UNIT

For Models: KSM150PS_1



| Illus. No. | Part No. | DESCRIPTION |
|------------|-----------|----------------------|
| 1 | | Literature Parts |
| | 9709785 | Use & Care Guide |
| | W10122280 | Repair Parts List |
| 2 | W10191926 | Screw Cap Kit |
| 3 | | Lever, Latch |
| | 9709280 | Black |
| | 9709282 | Buff |
| 4 | 24450 | Link, Latch |
| 5 | 9709707 | Foot, Base |
| 6 | ** | Pedestal |
| 7 | 16910 | Pin, Hinge |
| 8 | 103993 | Screw, Latch Bearing |
| 9 | 24452 | Latch, Link & Lever |
| 10 | 9709055 | Latch |
| 11 | 3400020 | Screw |
| 12 | 110679 | Screw, Pivot |
| 13 | 116241 | Washer, Spring |
| 14 | 8533912 | Washer |
| 15 | | Beater, Flat |
| | 9708472 | Coated, White |
| 16 | W10245282 | Bowl, 5 Qt. |
| 17 | 9708471 | Hook, Dough |
| 18 | 9704329 | Whip, Wire |
| 19 | 9709923 | Shield, Pouring |

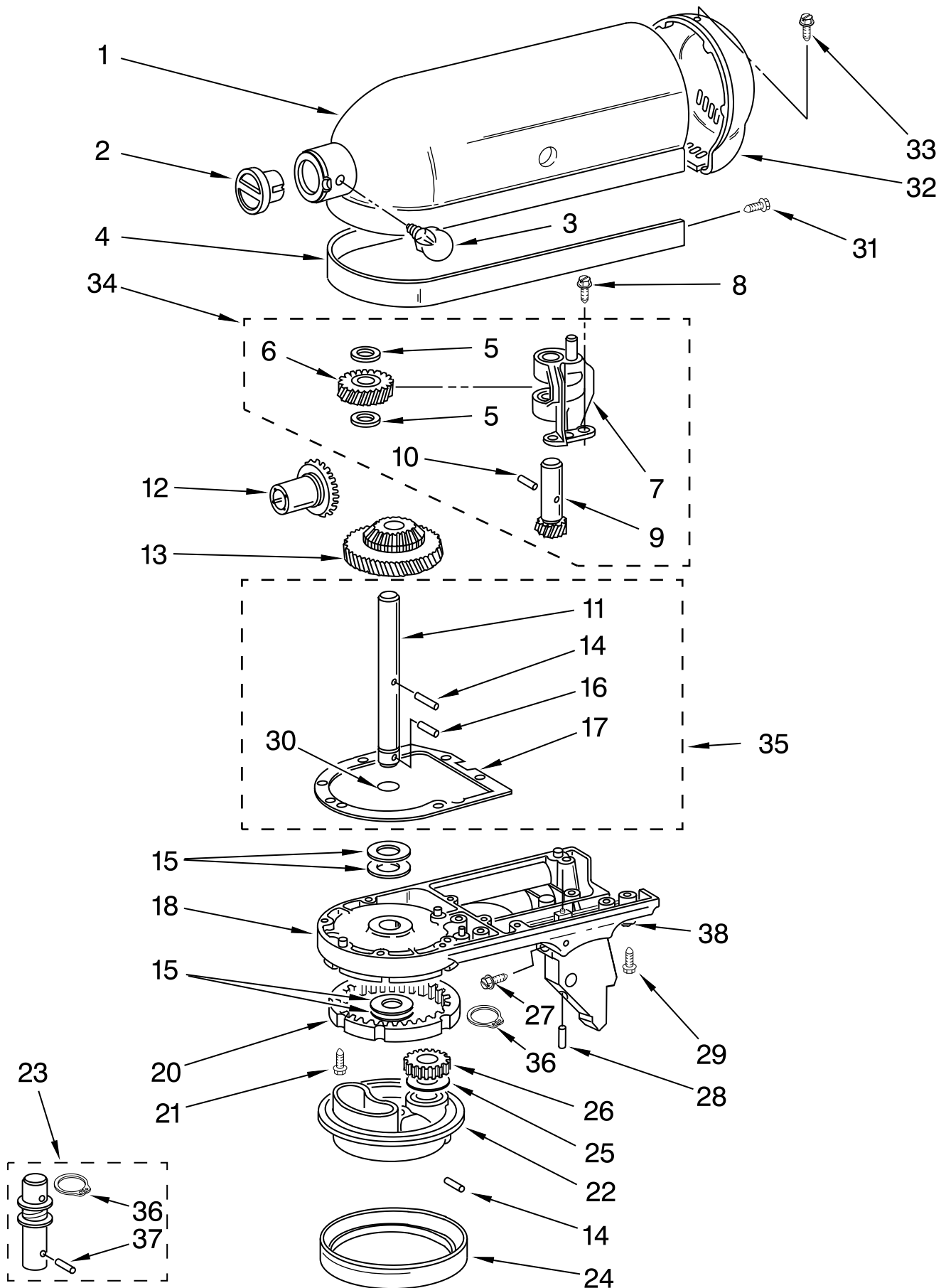
**REFER TO PAGE 2



FOR ORDERING INFORMATION REFER TO PARTS PRICE LIST

CASE, GEARING AND PLANETARY UNIT

For Models: KSM150PS_1



FOR ORDERING INFORMATION REFER TO PARTS PRICE LIST

CASE, GEARING AND PLANETARY UNIT

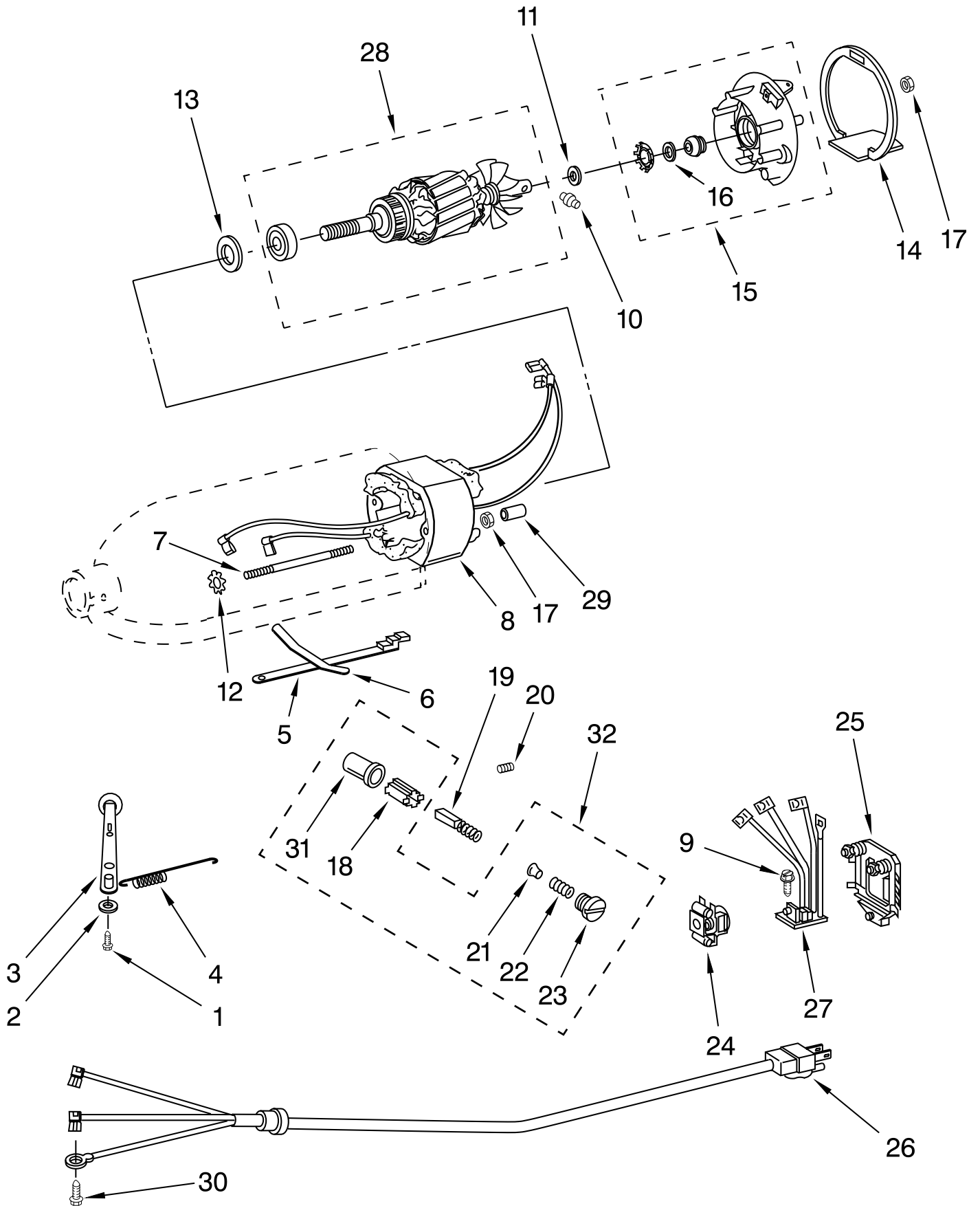
For Models: KSM150PS__1

| Illus. No. | Part No. | DESCRIPTION | Illus. No. | Part No. | DESCRIPTION | Illus. No. | Part No. | DESCRIPTION |
|------------|-----------|-------------------------------|------------|-----------|-----------------------------|------------|----------|-----------------------------|
| 1 | ** | Gearcase Motor Housing | 12 | 9705130 | Gear, Attachment Hub Bevel | 25 | 9706090 | Washer |
| 2 | | Cap, Attachment Hub | 13 | 9709627 | Bevel Pinion Center Gear | 26 | 9703903 | Pinion, Gear Agitator Shaft |
| | 242765-2 | Chrome | 14 | 240018-1 | Pin (Vertical Center Shaft) | 27 | 89411 | Screw, Adjusting |
| | 242765-5 | Almond Creme | 15 | W10323378 | Washer | 28 | 3400203 | Screw, Set |
| 3 | | Thumb Screw | 16 | 9705443 | Pin, Groove | 29 | 3400025 | Screw |
| | 9709194 | Black | 17 | 4162324 | Gasket, Transmission Case | 30 | 67500-55 | "O" Ring |
| | 9709198 | Buff | 18 | ** | Lower Gear Case | 31 | 311932 | Screw |
| 4 | ** | Band, Trim | 20 | 9703904 | Gear, Internal | 32 | ** | Cover, End |
| 5 | W10323373 | Washer | 21 | 103994 | Screw | 33 | 4162914 | Screw |
| 6 | W10112253 | Worm Gear | 22 | ** | Planetary | 34 | 240309-2 | Worm Gear Bracket And Gear |
| 7 | 240308 | Worm Gear Bracket And Bearing | 23 | 4176067 | Agitator Shaft | 35 | 4160474 | Center Shaft & "O" Ring |
| 8 | 3400022 | Screw | 24 | 240285 | Ring, Planetary Drip | 36 | 9703438 | Ring |
| 9 | 240210-2 | Shaft & Pinion | | | | 37 | 9704677 | Pin, Groove |
| 10 | 9705444 | Pin | | | | 38 | 8533914 | Washer, Spring Lock |
| 11 | 240026 | Shaft, Vertical Center | | | | | | |

**Refer to Page 2

MOTOR AND CONTROL PARTS

For Models: KSM150PS_1



FOR ORDERING INFORMATION REFER TO PARTS PRICE LIST

MOTOR AND CONTROL PARTS

For Models: KSM150PS__1

| Illus. No. | Part No. | DESCRIPTION |
|-------------------|-----------------|------------------------------|
| 1 | 110679 | Screw, Pivot |
| 2 | 116241 | Washer, Spring |
| 3 | | Lever, Speed Control Assy |
| | 9709276 | Black |
| | 9709278 | Buff |
| 4 | 3183680 | Spring, Control Plate |
| 5 | 3184176 | Speed Link & Cam |
| 6 | 240205 | Spring, Flat |
| 7 | 240769 | Screw |
| 8 | W10315774 | Field Assy, 120 V |
| 9 | W10068260 | Screw |
| 10 | 16998 | Stud, Governor Drive |
| 11 | W10419328 | Washer |
| 12 | W10068270 | Washer |
| 13 | 9704324 | Washer, Ball Bearing (Front) |
| 14 | 240775-1 | Seal, End |
| 15 | 3180526 | Bracket, Bearing Asm. |
| 16 | 3180238 | Washer |
| 17 | W10131078 | Nut |
| 18 | 240680 | Insert, Brush Holder |
| 19 | W10380496 | Brush, w/Spring |
| 20 | 9707926 | Screw, Set |
| 21 | 116286 | Cap, Spring Seat |
| 22 | 116287 | Spring, Cap |
| 23 | | Cap, Brush Holder |
| | 3184212 | Black |
| | 3184213 | Almond Creme |
| 24 | W10330804 | Governor Assembly |
| 25 | W10119326 | Control Plate Assembly |
| 26 | | Power Cord |
| | W10325327 | White |
| | W10164883 | Black |
| 27 | W10325124 | Phase Control Board |
| 28 | W10315777 | Armature & Bearing |
| 29 | 4162634 | Sleeve, Motor Stud |
| 30 | 3184609 | Screw, Self Tapping |
| 31 | 3179908 | Housing, Brush Holder |
| 32 | 4162546 | Brush Holder |

ACCESSORY PARTS

For Models: KSM150PS__1

| Illus. | Part | |
|---------------|-------------|--------------------|
| No. | No. | DESCRIPTION |

**FOLLOWING PARTS
NOT ILLUSTRATED**

| | |
|-----------|--|
| 4164839 | Speed Disc (Service Tool) |
| 4176597 | Grease, Planetary |
| 4164778 | Mixer Attachment Pak (Includes Food Grinder (FGA), Food Strainer (FVSP), And Vegetable Slicer, (RVSA) (FPPA) |
| 4164749 | Food Grinder (FGA) |
| W10318099 | Grain Mill (KGM-0) |
| 4164775 | Fruit/Vegetable Strainer Parts (Use With FGA Model Only) (FVSP) |
| 4164750 | Rotor Slicer/ Shredder(With 4 Standard Cones) Fine Shredder, Coarse Shredder, Thick Slicer,and Thin Slicer (RVSA) |
| 9709923 | Pouring Shield (KN1PS0) |
| 4164774 | Fruit/Vegetable Strainer and Food Grinder (FVSFGA) |
| 4396709 | Cover, Quilted (KMCC1WH) |
| 4162838 | Food Tray (FT) |
| 4164748 | Juicer (JE) |
| 4164803 | Sausage Stuffer Kit (SSA) |
| 8212519 | Ice Cream Maker (KICA0WH0) |
| 9709314 | Bowl Cover, (KBC90N1) |
| 242550-2 | Bowl, Stainless W/Handle, 4.5 QT |
| 3180262 | Bowl, 3 Qt. |
| KPEXTA | Pasta Extruder w/6 Discs |
| W10303575 | Beater, Flex Edge |

FOR ORDERING INFORMATION REFER TO PARTS PRICE LIST

Free Manuals Download Website

<http://myh66.com>

<http://usermanuals.us>

<http://www.somanuals.com>

<http://www.4manuals.cc>

<http://www.manual-lib.com>

<http://www.404manual.com>

<http://www.luxmanual.com>

<http://aubethermostatmanual.com>

Golf course search by state

<http://golfingnear.com>

Email search by domain

<http://emailbydomain.com>

Auto manuals search

<http://auto.somanuals.com>

TV manuals search

<http://tv.somanuals.com>