

# PARTS LIST

for

# **KitchenAid®**

## **5 QT. STAND MIXER**

### **ARTISAN TILT HEAD**

#### **MODELS:**

**KSM150PSOB1 (Onyx Black)**  
**KSM150PSMY1 (Majestic Yellow)**  
**KSM150PSGR1 (Imperial Grey)**  
**KSM150PSGN1 (Empire Green)**  
**KSM150PSER1 (Empire Red)**  
**KSM150PSBU1 (Cobalt Blue)**  
**KSM150PSAC1 (Almond Creme)**  
**KSM150PSCL1 (Crystal Blue)**



FOR CUSTOMER SATISFACTION ALWAYS USE  
FACTORY SPECIFICATION PARTS

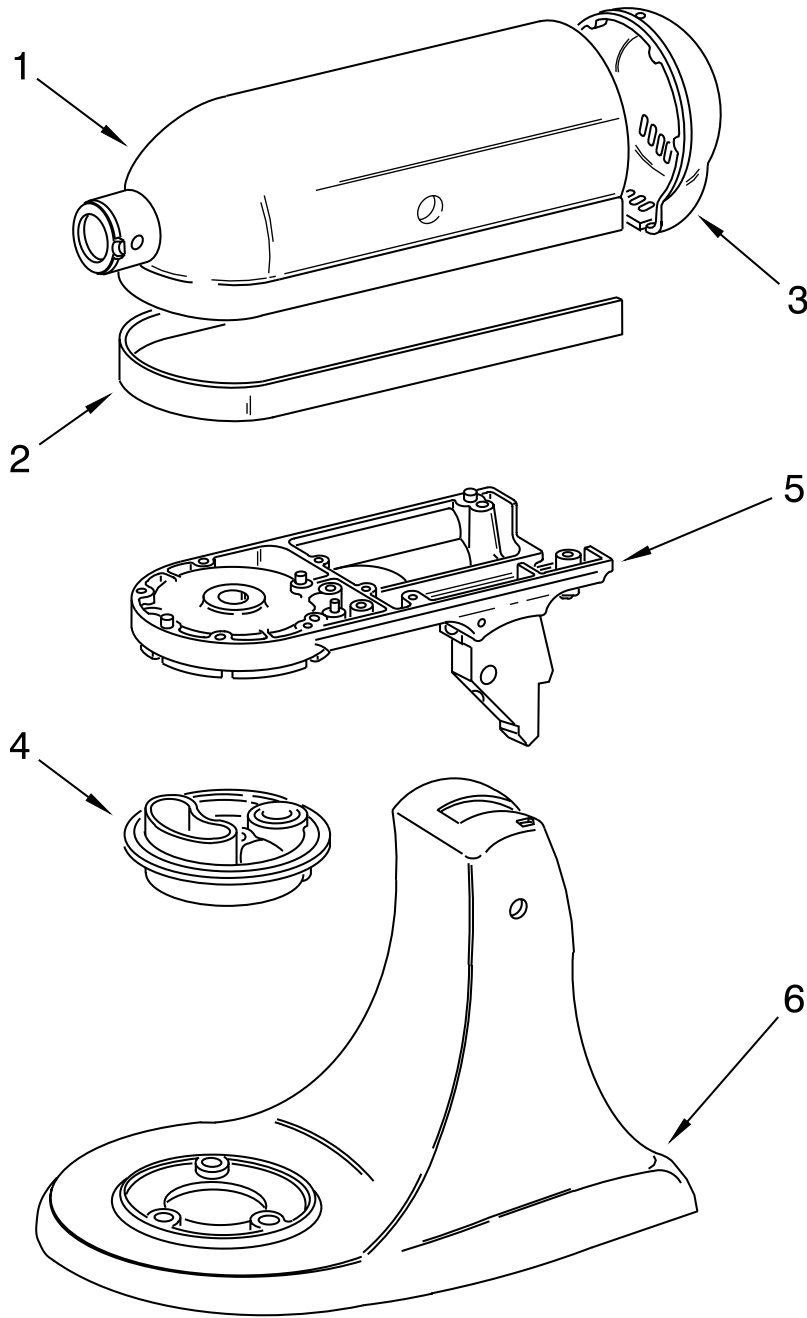


KITCHENAID

ST. JOSEPH MICHIGAN 49085

# COLOR VARIATION PARTS

For Models: KSM150PS\_1



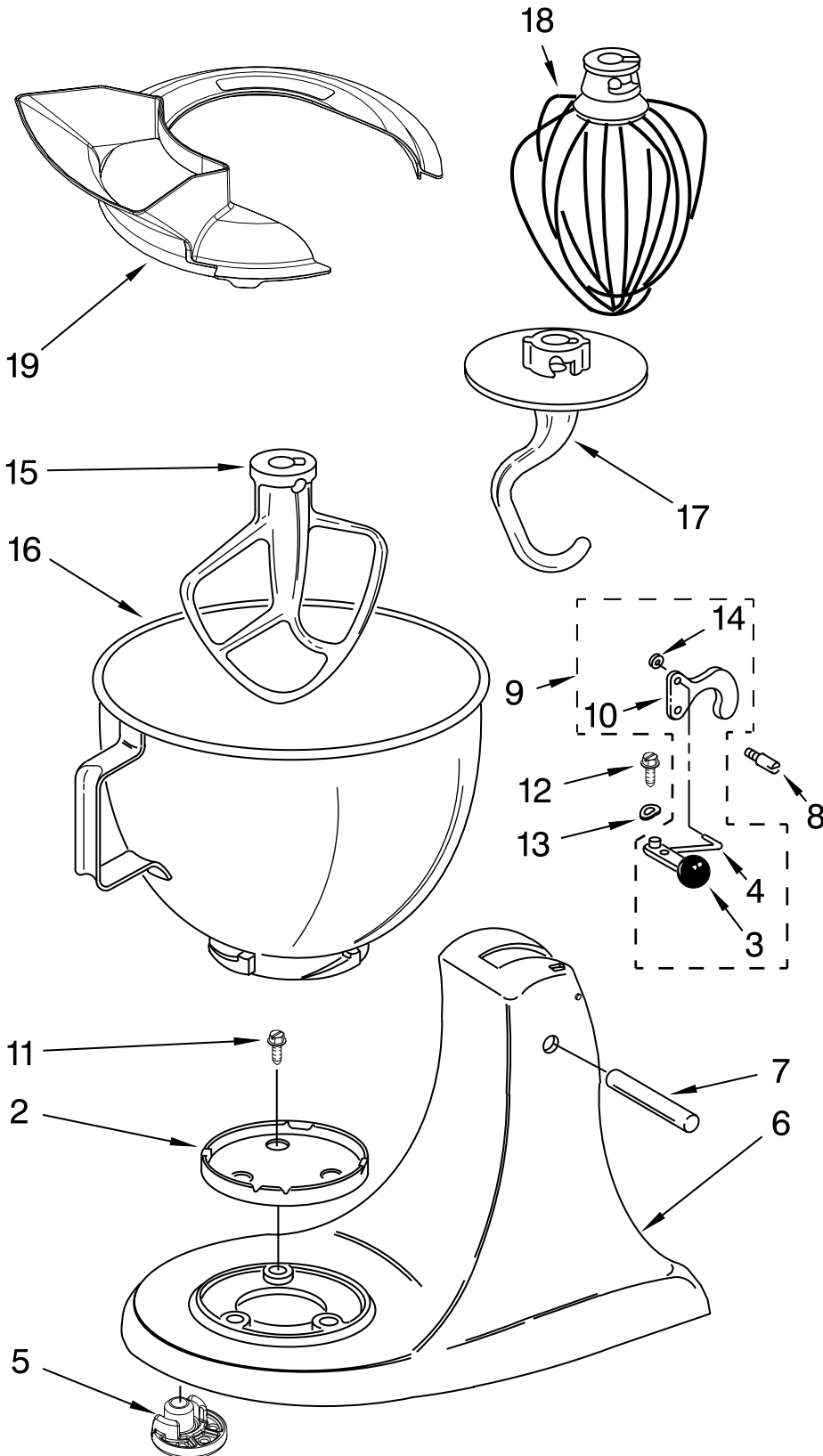
| Illus. No. | Part No.  | DESCRIPTION              |                        |
|------------|-----------|--------------------------|------------------------|
| 1          | 240291-13 | Motor Housing Onyx Black |                        |
|            | 240291-20 | Majestic Yellow          |                        |
|            | 240291-22 | Imperial Grey            |                        |
|            | 240291-10 | Empire Green             |                        |
|            | 240291-21 | Empire Red               |                        |
|            | 240291-7  | Cobalt Blue              |                        |
|            | 240291-16 | Almond Creme             |                        |
|            | W10476791 | Crystal Blue             |                        |
|            | 2         | 9706630                  | Trim Band Black/Silver |
|            |           | 9706632                  | Almond Creme           |
| 3          |           | End Cover                |                        |
|            | 240253-14 | Onyx Black               |                        |
|            | 240253-21 | Majestic Yellow          |                        |
|            | 240253-23 | Imperial Grey            |                        |
|            | 240253-11 | Empire Green             |                        |
|            | 240253-22 | Empire Red               |                        |
|            | 240253-8  | Cobalt Blue              |                        |
|            | 240253-16 | Almond Creme             |                        |
|            | W10476773 | Crystal Blue             |                        |
|            | 4         |                          | Planetary              |
| 240286-16  |           | Onyx Black               |                        |
| 240286-22  |           | Majestic Yellow          |                        |
| 240286-24  |           | Imperial Grey            |                        |
| 240286-13  |           | Empire Green             |                        |
| 240286-23  |           | Empire Red               |                        |
| 240286-10  |           | Cobalt Blue              |                        |
| 240286-18  |           | Almond Creme             |                        |
| W10476794  |           | Crystal Blue             |                        |
| 5          |           |                          | Lower Gearcase         |
|            | 240350-56 | Onyx Black               |                        |
|            | 240350-82 | Majestic Yellow          |                        |
|            | 240350-86 | Imperial Grey            |                        |
|            | 240350-46 | Empire Green             |                        |
|            | 240350-84 | Empire Red               |                        |
|            | 240350-31 | Cobalt Blue              |                        |
|            | 240350-62 | Almond Creme             |                        |
|            | W10476775 | Crystal Blue             |                        |
|            | 6         |                          | Pedestal               |
| 3179275    |           | Onyx Black               |                        |
| 9702303    |           | Majestic Yellow          |                        |
| 9702305    |           | Imperial Grey            |                        |
| 3179273    |           | Empire Green             |                        |
| 9702304    |           | Empire Red               |                        |
| 3179263    |           | Cobalt Blue              |                        |
| 3179277    |           | Almond Creme             |                        |
| W10488414  |           | Crystal Blue             |                        |

Colors Subject To Change.  
 Any Color Not Listed is  
 No Longer Available.  
 If Additional Colors Are Added,  
 This Page Will Be Updated.

FOR ORDERING INFORMATION REFER TO PARTS PRICE LIST

# BASE AND PEDESTAL UNIT

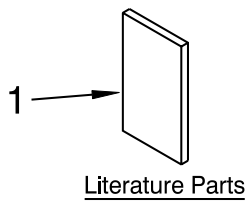
For Models: KSM150PS\_1



| Illus. No. | Part No. | DESCRIPTION |
|------------|----------|-------------|
|------------|----------|-------------|

|    |           |                                   |
|----|-----------|-----------------------------------|
| 1  | 9709785   | Literature Parts Use & Care Guide |
|    | W10122280 | Repair Parts List                 |
| 2  | W10191926 | Screw Cap Kit                     |
| 3  |           | Lever, Latch                      |
|    | 9709280   | Black                             |
|    | 9709282   | Buff                              |
| 4  | 24450     | Link, Latch                       |
| 5  | 9709707   | Foot, Base                        |
| 6  | **        | Pedestal                          |
| 7  | 16910     | Pin, Hinge                        |
| 8  | 103993    | Screw, Latch Bearing              |
| 9  | 24452     | Latch, Link & Lever               |
| 10 | 9709055   | Latch                             |
| 11 | 3400020   | Screw                             |
| 12 | 110679    | Screw, Pivot                      |
| 13 | 116241    | Washer, Spring                    |
| 14 | 8533912   | Washer                            |
| 15 |           | Beater, Flat                      |
|    | 9708472   | Coated, White                     |
| 16 | W10245282 | Bowl, 5 Qt.                       |
| 17 | 9708471   | Hook, Dough                       |
| 18 | 9704329   | Whip, Wire                        |
| 19 | 9709923   | Shield, Pouring                   |

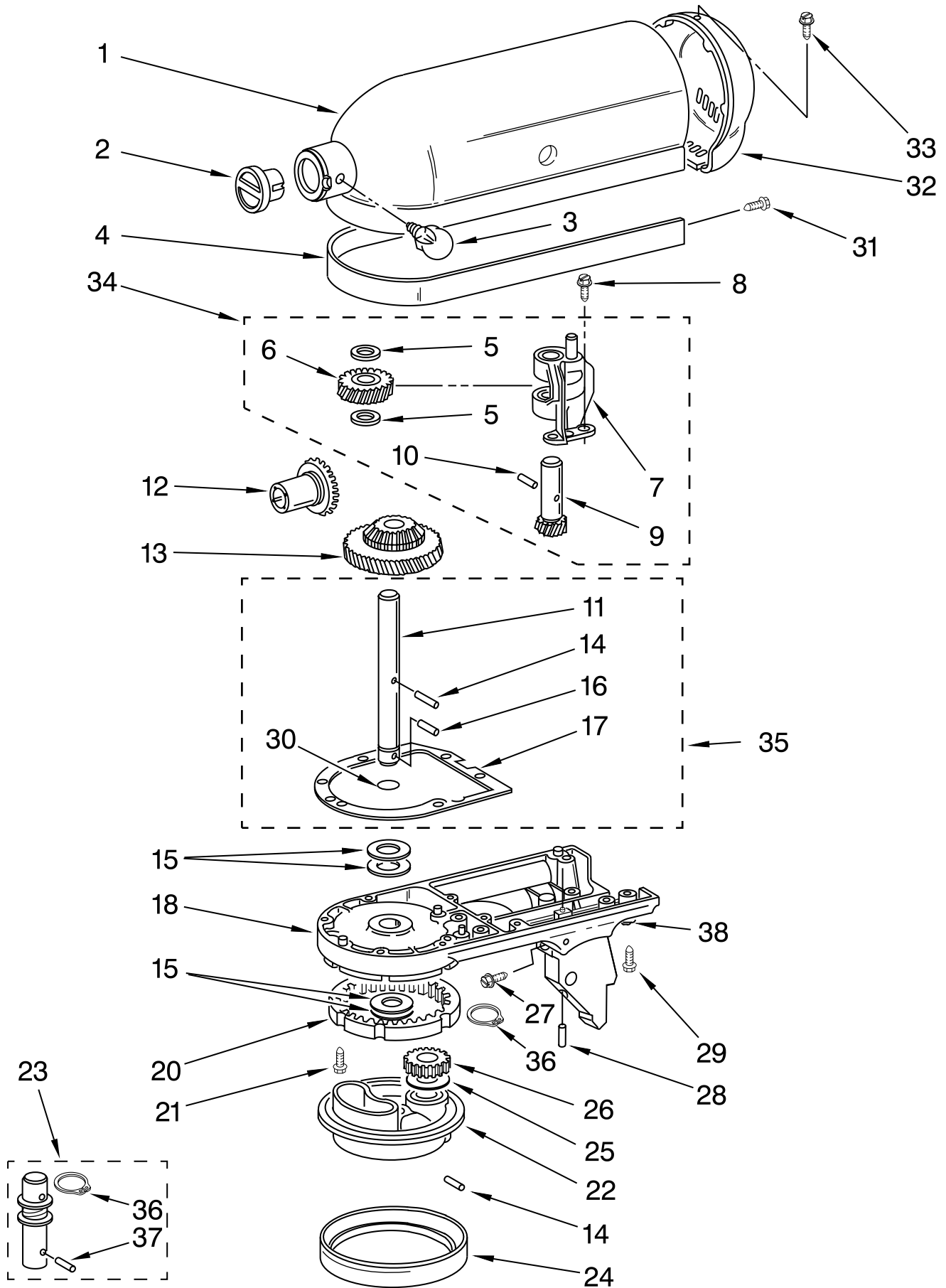
\*\*REFER TO PAGE 2



FOR ORDERING INFORMATION REFER TO PARTS PRICE LIST

# CASE, GEARING AND PLANETARY UNIT

For Models: KSM150PS\_1



FOR ORDERING INFORMATION REFER TO PARTS PRICE LIST

# CASE, GEARING AND PLANETARY UNIT

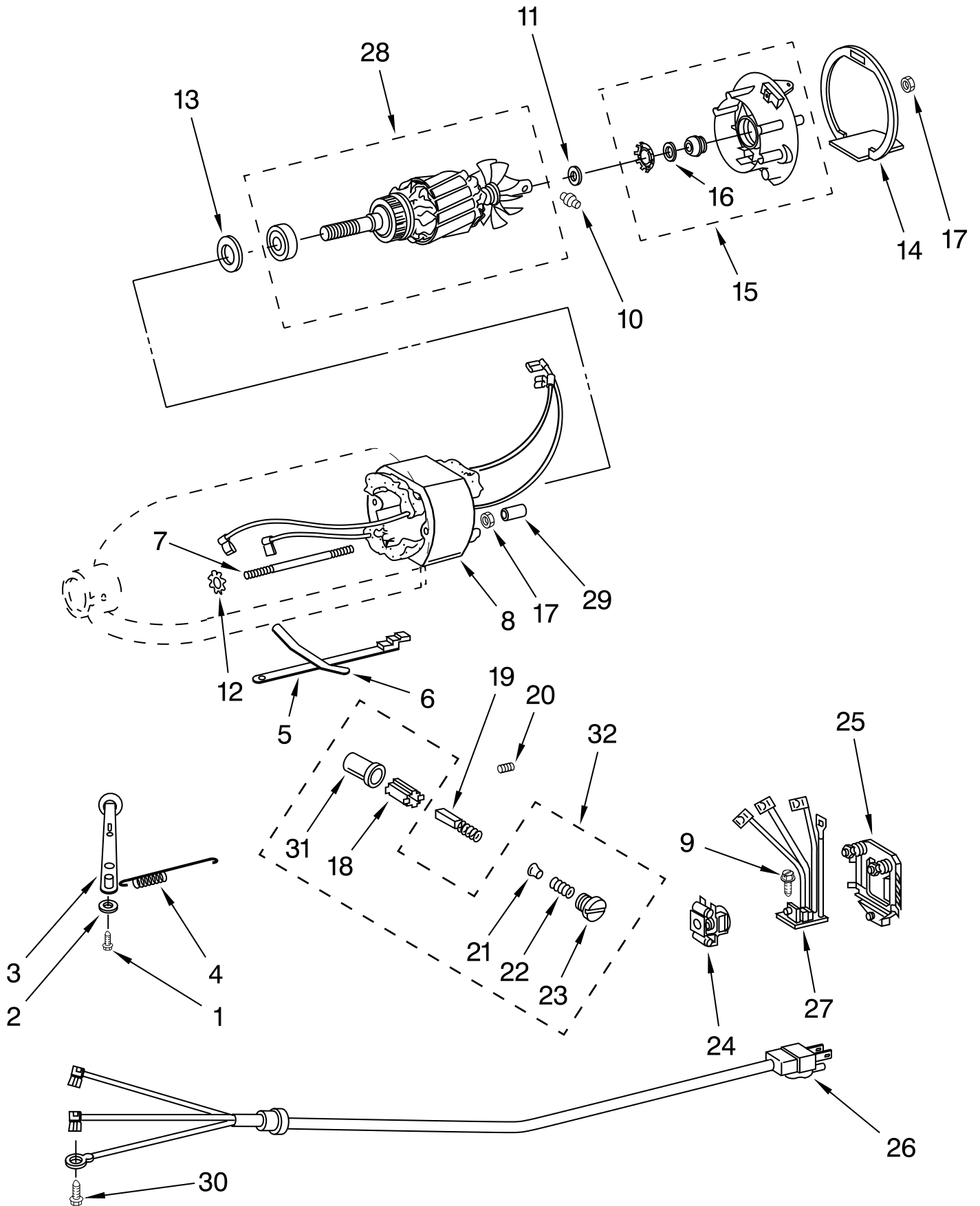
For Models: KSM150PS\_\_1

| Illus. No. | Part No.  | DESCRIPTION                   | Illus. No. | Part No.  | DESCRIPTION                 | Illus. No. | Part No. | DESCRIPTION                 |
|------------|-----------|-------------------------------|------------|-----------|-----------------------------|------------|----------|-----------------------------|
| 1          | **        | Gearcase Motor Housing        | 12         | 9705130   | Gear, Attachment Hub Bevel  | 25         | 9706090  | Washer                      |
| 2          |           | Cap, Attachment Hub           | 13         | 9709627   | Bevel Pinion Center Gear    | 26         | 9703903  | Pinion, Gear Agitator Shaft |
|            | 242765-2  | Chrome                        | 14         | 240018-1  | Pin (Vertical Center Shaft) | 27         | 89411    | Screw, Adjusting            |
|            | 242765-5  | Almond Creme                  | 15         | W10323378 | Washer                      | 28         | 3400203  | Screw, Set                  |
| 3          |           | Thumb Screw                   | 16         | 9705443   | Pin, Groove                 | 29         | 3400025  | Screw                       |
|            | 9709194   | Black                         | 17         | 4162324   | Gasket, Transmission Case   | 30         | 67500-55 | "O" Ring                    |
|            | 9709198   | Buff                          | 18         | **        | Lower Gear Case             | 31         | 311932   | Screw                       |
| 4          | **        | Band, Trim                    | 20         | 9703904   | Gear, Internal              | 32         | **       | Cover, End                  |
| 5          | W10323373 | Washer                        | 21         | 103994    | Screw                       | 33         | 4162914  | Screw                       |
| 6          | W10112253 | Worm Gear                     | 22         | **        | Planetary                   | 34         | 240309-2 | Worm Gear Bracket And Gear  |
| 7          | 240308    | Worm Gear Bracket And Bearing | 23         | 4176067   | Agitator Shaft              | 35         | 4160474  | Center Shaft & "O" Ring     |
| 8          | 3400022   | Screw                         | 24         | 240285    | Ring, Planetary Drip        | 36         | 9703438  | Ring                        |
| 9          | 240210-2  | Shaft & Pinion                |            |           |                             | 37         | 9704677  | Pin, Groove                 |
| 10         | 9705444   | Pin                           |            |           |                             | 38         | 8533914  | Washer, Spring Lock         |
| 11         | 240026    | Shaft, Vertical Center        |            |           |                             |            |          |                             |

\*\*Refer to Page 2

# MOTOR AND CONTROL PARTS

For Models: KSM150PS\_1



FOR ORDERING INFORMATION REFER TO PARTS PRICE LIST

# MOTOR AND CONTROL PARTS

For Models: KSM150PS\_\_1

| <b>Illus. No.</b> | <b>Part No.</b> | <b>DESCRIPTION</b>           |
|-------------------|-----------------|------------------------------|
| 1                 | 110679          | Screw, Pivot                 |
| 2                 | 116241          | Washer, Spring               |
| 3                 |                 | Lever, Speed Control Assy    |
|                   | 9709276         | Black                        |
|                   | 9709278         | Buff                         |
| 4                 | 3183680         | Spring, Control Plate        |
| 5                 | 3184176         | Speed Link & Cam             |
| 6                 | 240205          | Spring, Flat                 |
| 7                 | 240769          | Screw                        |
| 8                 | W10315774       | Field Assy, 120 V            |
| 9                 | W10068260       | Screw                        |
| 10                | 16998           | Stud, Governor Drive         |
| 11                | W10419328       | Washer                       |
| 12                | W10068270       | Washer                       |
| 13                | 9704324         | Washer, Ball Bearing (Front) |
| 14                | 240775-1        | Seal, End                    |
| 15                | 3180526         | Bracket, Bearing Asm.        |
| 16                | 3180238         | Washer                       |
| 17                | W10131078       | Nut                          |
| 18                | 240680          | Insert, Brush Holder         |
| 19                | W10380496       | Brush, w/Spring              |
| 20                | 9707926         | Screw, Set                   |
| 21                | 116286          | Cap, Spring Seat             |
| 22                | 116287          | Spring, Cap                  |
| 23                |                 | Cap, Brush Holder            |
|                   | 3184212         | Black                        |
|                   | 3184213         | Almond Creme                 |
| 24                | W10330804       | Governor Assembly            |
| 25                | W10119326       | Control Plate Assembly       |
| 26                |                 | Power Cord                   |
|                   | W10325327       | White                        |
|                   | W10164883       | Black                        |
| 27                | W10325124       | Phase Control Board          |
| 28                | W10315777       | Armature & Bearing           |
| 29                | 4162634         | Sleeve, Motor Stud           |
| 30                | 3184609         | Screw, Self Tapping          |
| 31                | 3179908         | Housing, Brush Holder        |
| 32                | 4162546         | Brush Holder                 |

# ACCESSORY PARTS

For Models: KSM150PS\_\_1

| <b>Illus.</b> | <b>Part</b>            |
|---------------|------------------------|
| <b>No.</b>    | <b>No. DESCRIPTION</b> |

---

**FOLLOWING PARTS  
NOT ILLUSTRATED**

---

|           |  |
|-----------|--|
| 4164839   | Speed Disc<br>(Service Tool)   |
| 4176597   | Grease, Planetary  |
| 4164778   | Mixer Attachment<br>Pak (Includes Food<br>Grinder (FGA),<br>Food Strainer<br>(FVSP), And<br>Vegetable Slicer,<br>(RVSA)<br>(FPPA)      |
| 4164749   | Food Grinder<br>(FGA)  |
| W10318099 | Grain Mill<br>(KGM-0)  |
| 4164775   | Fruit/Vegetable<br>Strainer Parts<br>(Use With FGA<br>Model Only) (FVSP)   |
| 4164750   | Rotor Slicer/<br>Shredder(With<br>4 Standard Cones)<br>Fine Shredder,<br>Coarse Shredder,<br>Thick Slicer,and<br>Thin Slicer<br>(RVSA) |
| 9709923   | Pouring Shield<br>(KN1PS0)   |
| 4164774   | Fruit/Vegetable<br>Strainer and Food<br>Grinder (FVSFGA)   |
| 4396709   | Cover, Quilted<br>(KMCC1WH)  |
| 4162838   | Food Tray (FT)   |
| 4164748   | Juicer (JE)  |
| 4164803   | Sausage Stuffer<br>Kit (SSA)   |
| 8212519   | Ice Cream Maker<br>(KICA0WH0)  |
| 9709314   | Bowl Cover,<br>(KBC90N1)   |
| 242550-2  | Bowl, Stainless<br>W/Handle, 4.5 QT  |
| 3180262   | Bowl, 3 Qt.  |
| KPEXTA    | Pasta Extruder<br>w/6 Discs  |
| W10303575 | Beater, Flex Edge  |

FOR ORDERING INFORMATION REFER TO PARTS PRICE LIST



## Free Manuals Download Website

<http://myh66.com>

<http://usermanuals.us>

<http://www.somanuals.com>

<http://www.4manuals.cc>

<http://www.manual-lib.com>

<http://www.404manual.com>

<http://www.luxmanual.com>

<http://aubethermostatmanual.com>

Golf course search by state

<http://golfingnear.com>

Email search by domain

<http://emailbydomain.com>

Auto manuals search

<http://auto.somanuals.com>

TV manuals search

<http://tv.somanuals.com>