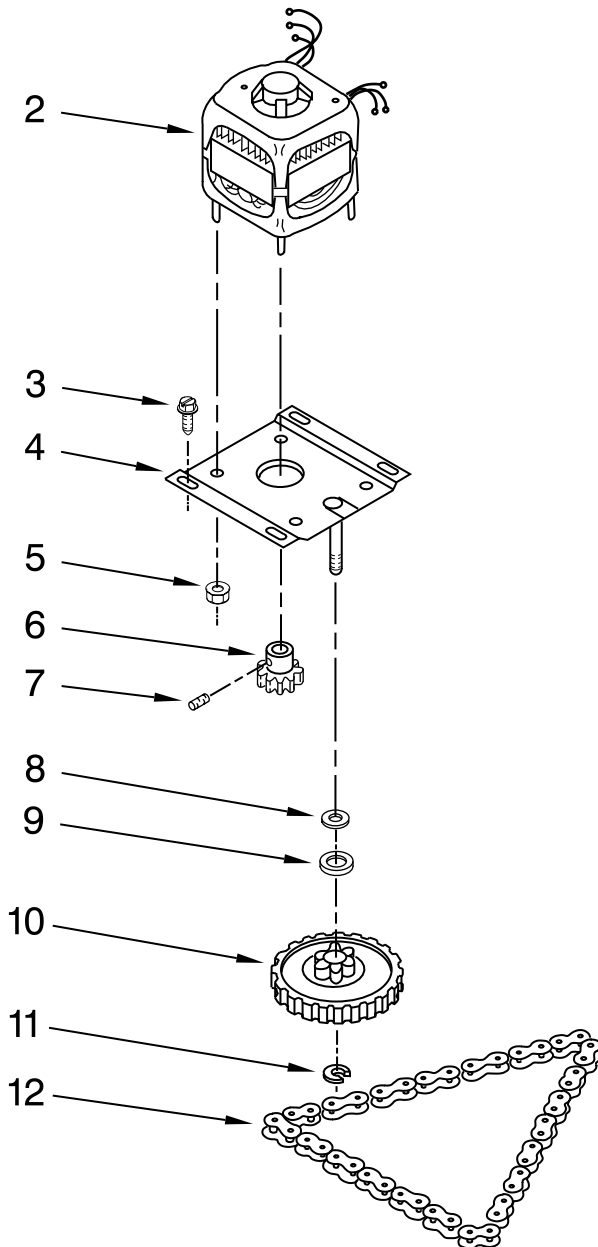
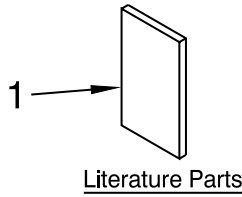


MOTOR AND DRIVE PARTS

TRASH COMPACTOR

KitchenAid®

For Models: KUCS03FTPA3
(Panel Ready)



Illus. No.	Part No.	DESCRIPTION
1		Literature Parts
	W10415490	Tech Sheet
	W10242569	Use & Care Guide
	W10318872	Instruction Sheet
2	W10318887	Motor, Drive
3	9871067	Screw,
4	776327	Plate, Drive Mount
5	776338	Locknut
6	4149667	Gear, Drive
7	454512	Pin, Slotted Spring
8	776035	Washer, Wave
9	297462	Washer, Thrust
10	777124	Gear, Driven
11	776036	Clip, Ring
12	780477	Chain, Drive

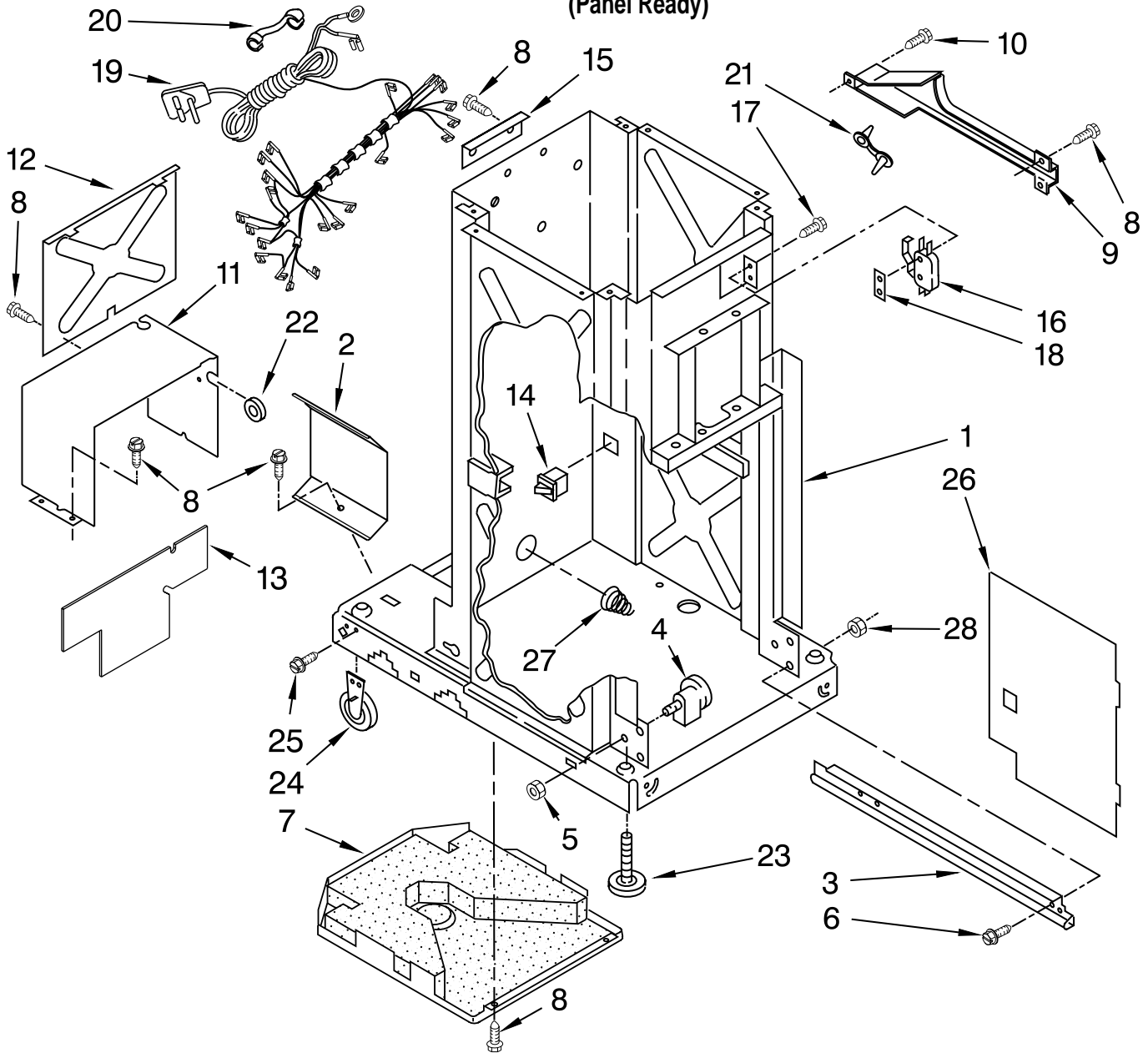
Parts Not Illustrated and
Optional Parts (Not Included)

9870118 Undercounter
Conversion Kit

FOR ORDERING INFORMATION REFER TO PARTS PRICE LIST

FRAME PARTS

For Models: KUCS03FTPA3
(Panel Ready)



Illus. No.	Part No.	DESCRIPTION
1		Frame (Not A Serviceable Part)
2	9870867	Shield, Slide Track
3	9870976	Frame, Slide (R.H.)
	9870975	Frame, Slide (L.H.)
4	4153788	Bearing, Roller
5	776356	Locknut
6	777458	Screw
7	9870167	Pan, Bottom
8	W10001260	Screw
9	4149659	Shield, Harness
10	4152204	Screw
11	780434	Cover, Motor

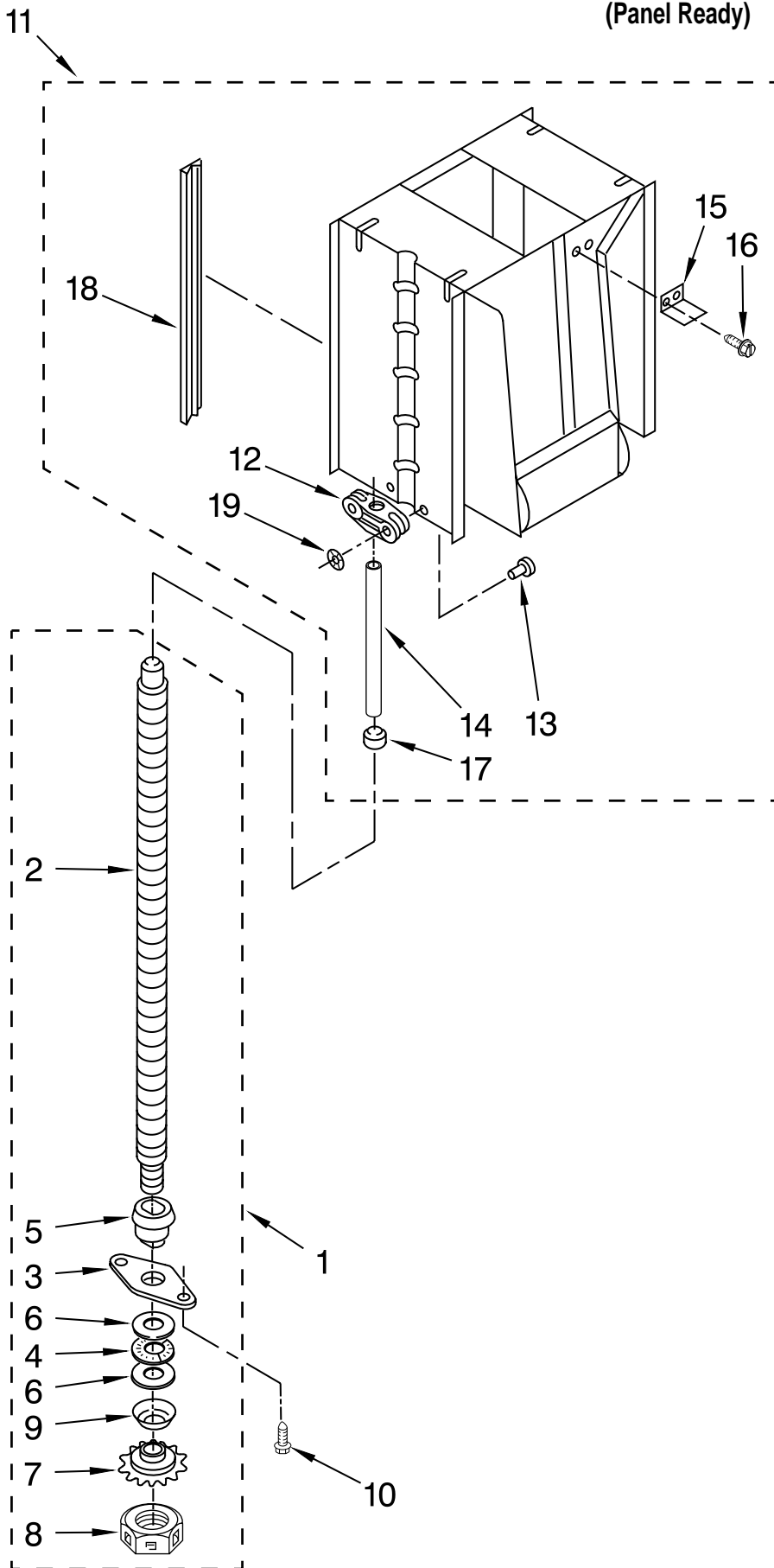
Illus. No.	Part No.	DESCRIPTION
12	608009	Plate, Motor Cover
13	9872154	Insulation
14	4149377	Switch, Drawer Safety
15	775668	Angle, Top Support
16	777811	Switch, Top Limit & Directional
17	777849	Screw
18	777850	Plate, Nut

Illus. No.	Part No.	DESCRIPTION
19	W10279448	Wiring Harness & Power Cord
20	776119	Bushing, Cord
21	777035	Clamp, Wire
22	776118	Grommet, Motor Cover
23	775526	Leveler, Front
24	9870585	Wheel, Leveler
25	780034	Screw
26	9870444	Panel, Inner
27	777180	Spring, Container
28	3400938	Nut

FOR ORDERING INFORMATION REFER TO PARTS PRICE LIST

POWERSCREW AND RAM PARTS

For Models: KUCS03FPA3
(Panel Ready)

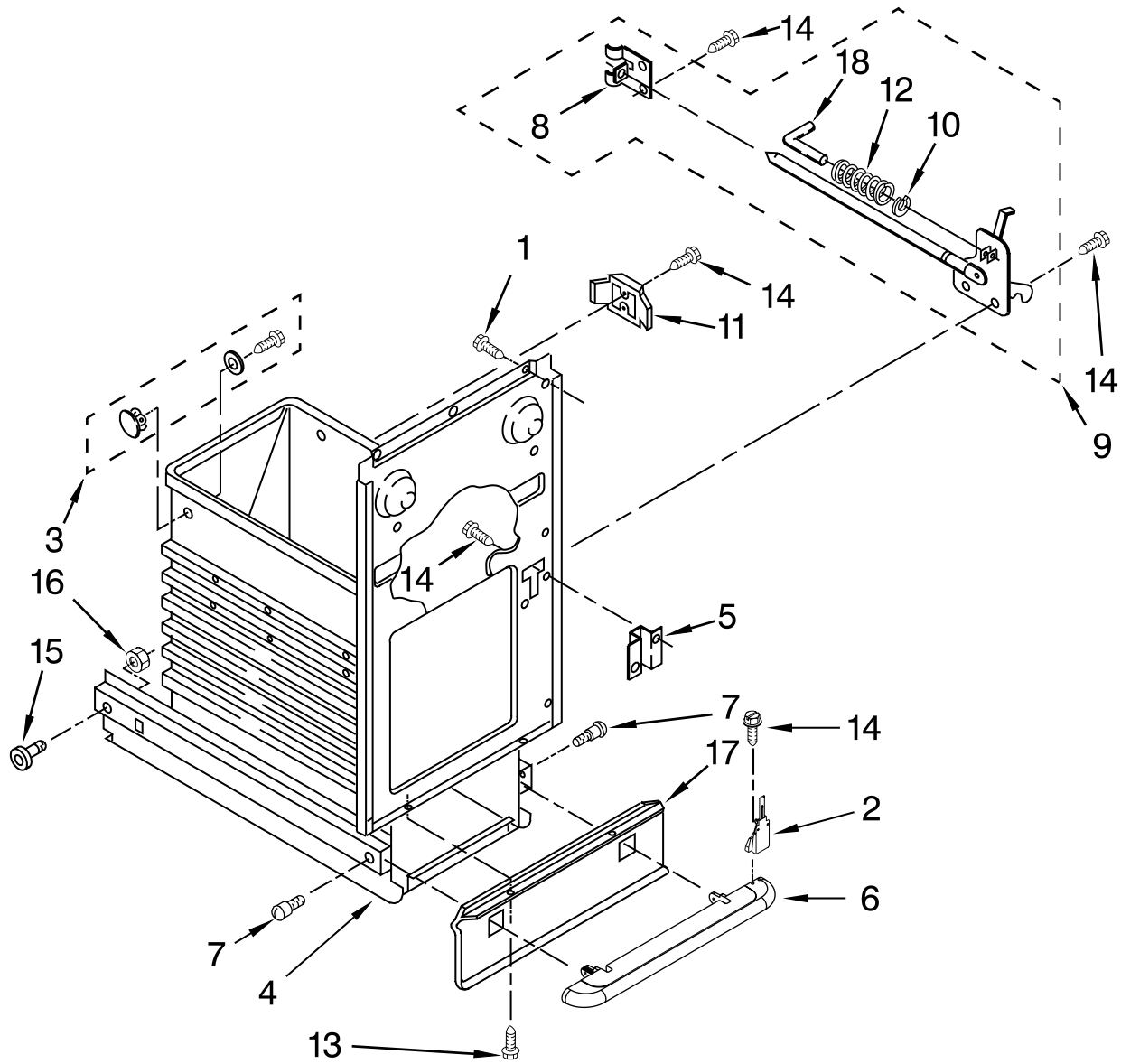


Illus. No.	Part No.	DESCRIPTION
1	9870500	Screw, Power Complete Assembly
2		Screw, Power (Available Only As Complete Assembly)
3	779121	Plate, Bearing
4	775482	Bearing, Needle
5	776941	Hub, Power Screw
6	775481	Race, Thrust
7	777385	Sprocket, Washer
8	4154842	Nut, Power Screw
9	777332	Washer, Cone
10	9871067	Screw
11	9871251	Ram Assembly
12	9870163	Nut, Power
13	9870187	Stud
14	9870037	Stop, Ram
15	9870498	Bracket, Top Limit Switch
16	489399	Screw
17	9870775	Cap, Stop
18	9870169	Slide, Ram
19	8534092	Nut, Push-On

FOR ORDERING INFORMATION REFER TO PARTS PRICE LIST

CONTAINER PARTS

For Models: KUCS03FTPA3
(Panel Ready)



Illus. No.	Part No.	DESCRIPTION
1	4152204	Screw
2	W10242549	Actuator Assembly
3	4147703	Retainer, Bag
4	9870934	Container Assembly
5	775665	Plate, Latch
6	9871989B	Pedal, Foot

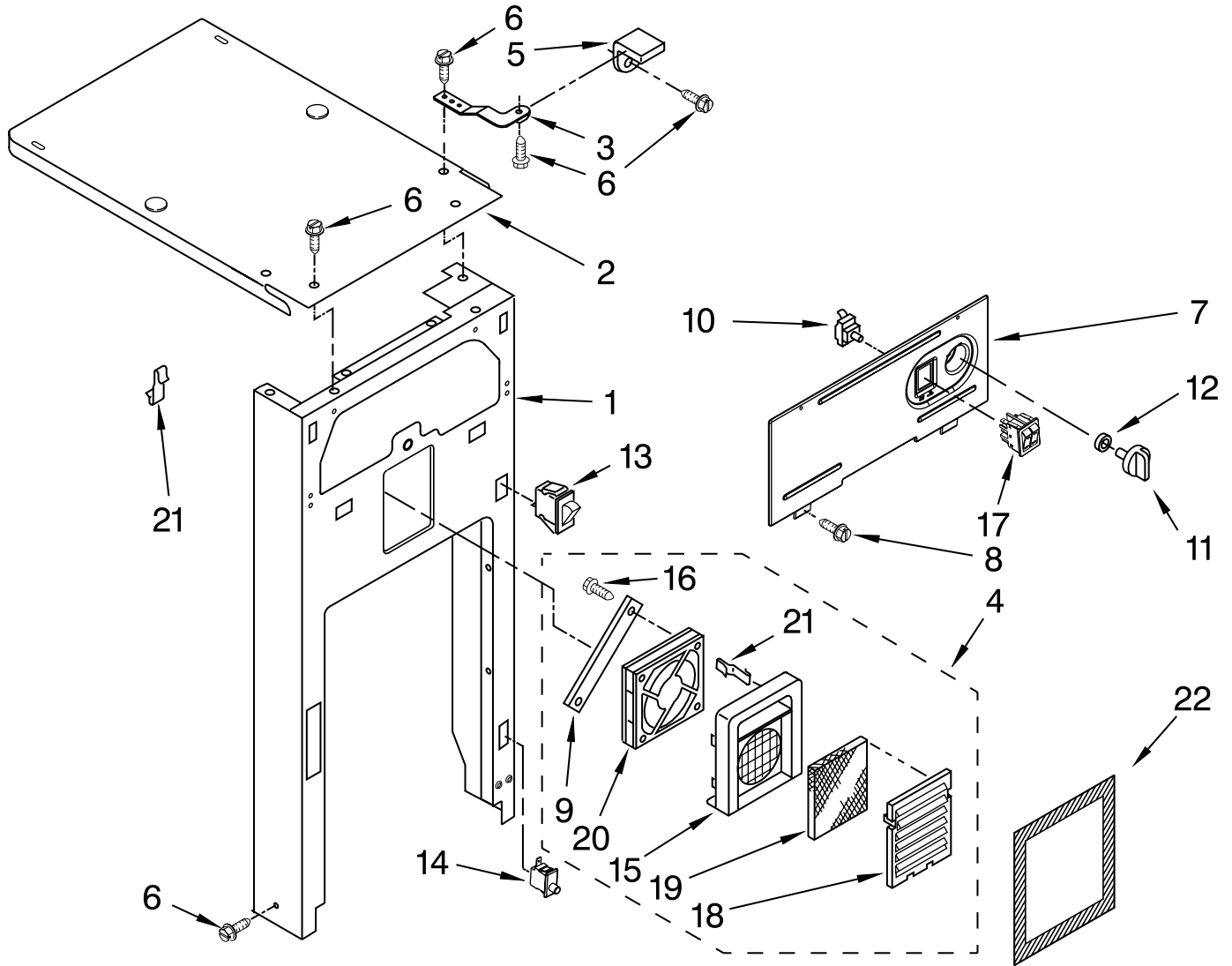
Illus. No.	Part No.	DESCRIPTION
7	780263	Screw, Shoulder
8	776395	Guide, Rear Latch
9	9870066	Latch Assembly
10	775735	Ring, "E"
11	9871125	Spring, Safety Switch

Illus. No.	Part No.	DESCRIPTION
12	775736	Spring, Latch
13	3196175	Screw
14	W10001260	Screw
15	9871602	Container, Bearing Roller
16	776356	Locknut
17	W10242557	Plate, Toe Guard
18	776654	Pin

FOR ORDERING INFORMATION REFER TO PARTS PRICE LIST

PANEL AND CONTROL PARTS

For Models: KUCS03FTPA3
(Panel Ready)



Illus. No.	Part No.	DESCRIPTION
1	W10242567	Panel, Front Frame
2	608572	Cover, Top
3	9871993	Bracket, Retainer
4	9871893	Fan Mount Assembly
5	780239	Bracket, Retainer (Alternate)
6	W10001260	Screw
7	W10242572	Escutcheon, Control
8	246131	Screw

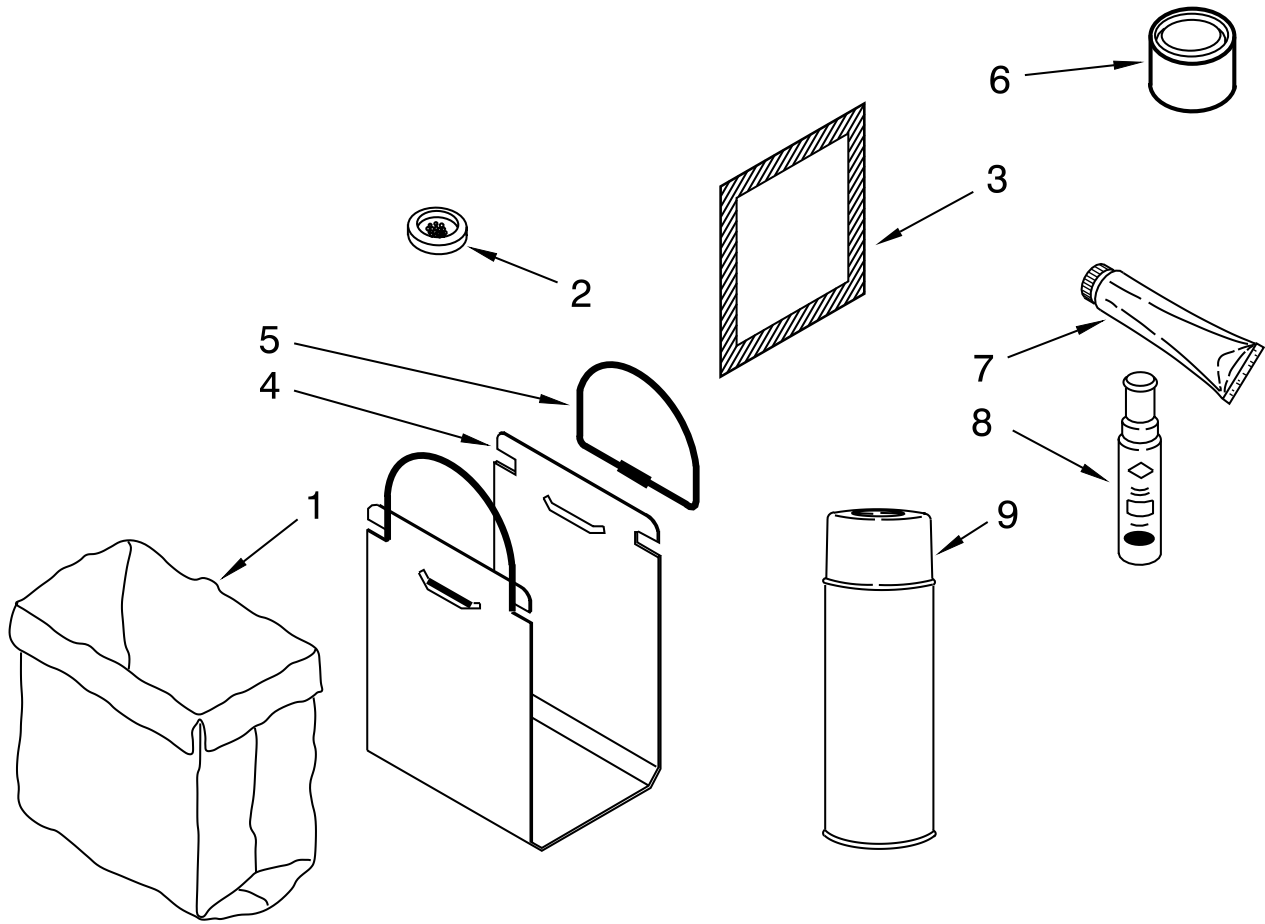
Illus. No.	Part No.	DESCRIPTION
9	4152703	Strap, Fan
10	9871971	Switch, Rotary Start-Run
11	9871920	Knob, Rotary Switch
12	777383	Nut, Rotary Switch
13	9871829	Switch, Drawer
14	W10242556	Switch, Pushbutton
15	4151442	Compartment, Air Freshener

Illus. No.	Part No.	DESCRIPTION
16	780034	Screw
17	9871973	Switch Assembly
18	9871099	Cover, Air Freshener
19	4151750	Filter, Charcoal
20	9871051	Fan, Filter
21	4151897	Clip, Wire
22	9872166GA	Deodorizer Block (Green Apple)

FOR ORDERING INFORMATION REFER TO PARTS PRICE LIST

ACCESSORY PARTS

For Models: KUCS03FTPA3
(Panel Ready)



Illus. No.	Part No.	DESCRIPTION
1		Bag, Trash (15" Plastic)
	4318921	15 Pack
	4318922	60 Pack
	94318921	12 Boxes of 15 Pack (15" Paper)
	675186	12 Pack
	882652	48 Pack
2	777635	Deodorizer Solid Stick-Ups (2-Pack)
3		Deodorizer Block
	9872166GA	Green Apple
	9872166LG	Lemongrove
	9872166L	Lavender
4	13030	Carrier, Bag (Includes item 5)

Illus. No.	Part No.	DESCRIPTION
5	777108	Handle, Bag Carrier
6	675351	Grease, 4 Oz. (Use on Power Screw & Ram Pressure Pads)
7	279368	Adhesive, Insulation (2oz Tube)
8		Paint, Touch-Up 1/2 oz.
	72107	Almond
	72017	White
	72032	Black
	4392899	Biscuit
	8171571	Cobalt Blue
	8171651	Hunter Green
	8171652	Empire Red
	8171653	Majestic Yellow

Illus. No.	Part No.	DESCRIPTION
9		Paint, Spray 13 Oz.
	350956	Almond
	285006	Black
	4392901	Biscuit
	350930	White
OPTIONAL PARTS NOT ILLUSTRATED		
		Handle Kit (Previous Architect Series)
	8564945	Stainless

FOR ORDERING INFORMATION REFER TO PARTS PRICE LIST

Free Manuals Download Website

<http://myh66.com>

<http://usermanuals.us>

<http://www.somanuals.com>

<http://www.4manuals.cc>

<http://www.manual-lib.com>

<http://www.404manual.com>

<http://www.luxmanual.com>

<http://aubethermostatmanual.com>

Golf course search by state

<http://golfingnear.com>

Email search by domain

<http://emailbydomain.com>

Auto manuals search

<http://auto.somanuals.com>

TV manuals search

<http://tv.somanuals.com>