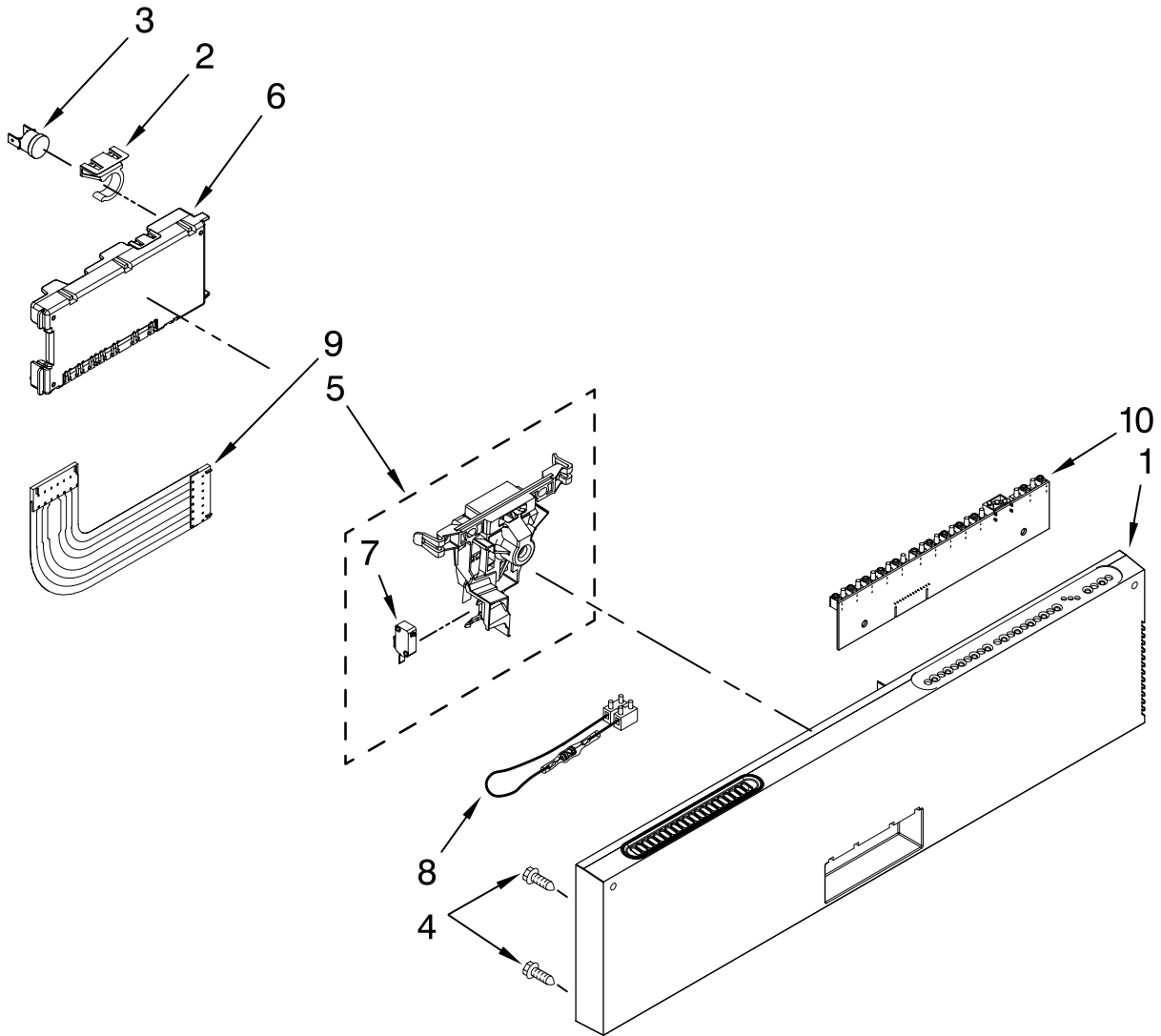


Illus. No.	Part No.	DESCRIPTION
1		Literature Parts
	W10275503	Instructions, Installation
	W10311169	Energy Guide
	W10300235	Guide, Use & Care English/French
	W10300236	Guide, Use & Care Spanish
	W10142826	Tech Sheet
	W10158347	Tech Sheet, French
2		Arm, Hinge
	8534854	Left
	8534853	Right
3	8268983	Stiffener, Door
4	3400071	Screw
5		Access Panel
	W10368719	Black
6	8535133	Panel, Front
		Panel, Ready
7	W10275525	Pad, Barrier
8		Fastener
	W10331789	Black
9	8531882	FID, Bag
		Assembly screws
10	304392	Screw
11	8268581	Insulation, Access Panel

FOR ORDERING INFORMATION REFER TO PARTS PRICE LIST

# CONTROL PANEL AND LATCH PARTS

For Models: KUDE70FVPA4  
(Panel Ready)

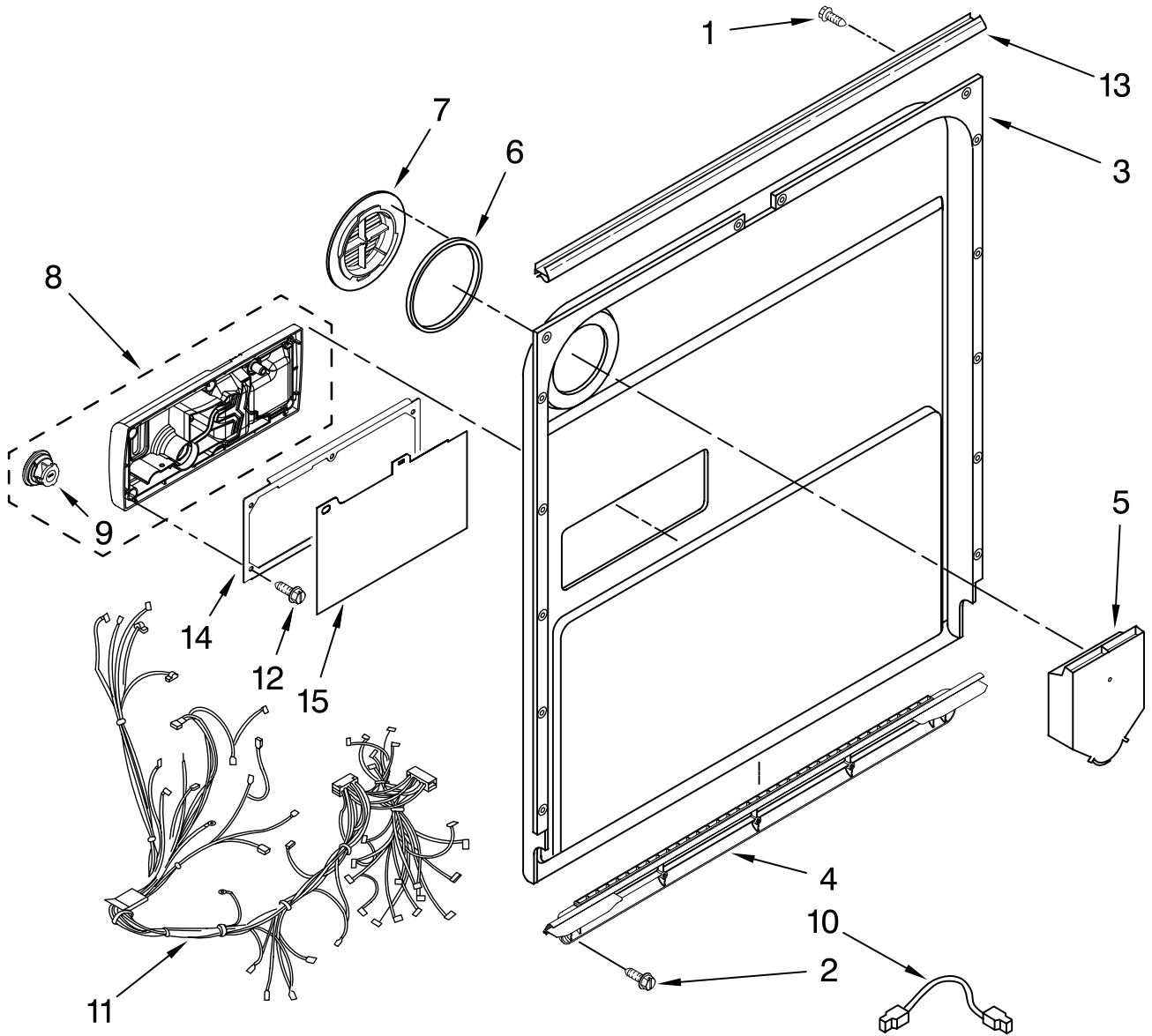


Illus. No.	Part No.	DESCRIPTION
1	W10056492	Console Assembly (Includes Insert)
2	8546546	Clip, Bi-Metal
3	661663	Bi-Metal
4	3369051	Screw
5	W10077360	Latch Assembly
6	W10285178	Control, Electronic
7	W10102495	Switch, Door
8	W10083167	Fuse, In-Line
9	8524447	Cable, Ribbon
10	W10222469	Board, Interconnect

FOR ORDERING INFORMATION REFER TO PARTS PRICE LIST

# INNER DOOR PARTS

For Models: KUDE70FVPA4  
(Panel Ready)



Illus. No.	Part No.	DESCRIPTION
1	3369051	Screw, Door
2	8281217	Screw
3	W10056250	Inner Door Mastic Assembly (Also Order Item 6)
4	W10077883	Inlet, Air
5	8572611	Vent Assembly (Also Order Item 6)

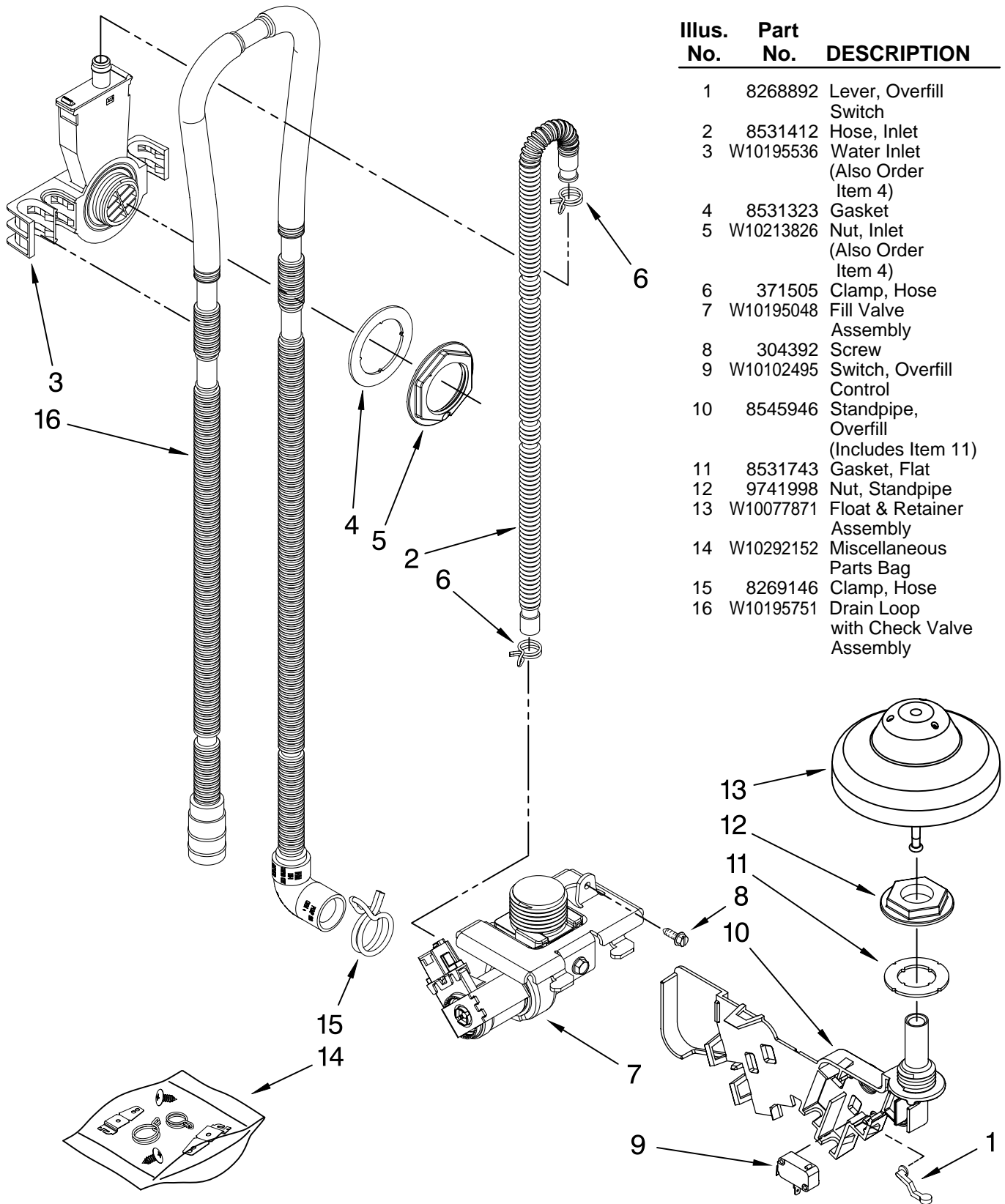
Illus. No.	Part No.	DESCRIPTION
6	8269259	Gasket, Vent
7	W10077877	Deflector, Vent (Also Order Item 6)
8	W10224431	Dispenser, Assembly
9	W10077881	Knob, Rinse Aid
10	8545608	Harness, Vent Motor

Illus. No.	Part No.	DESCRIPTION
11	W10341080	Wiring Harness
12	W10177098	Screw
13	8535660	Seal, Console/door
14	8535637	Bracket, Dispenser
15	W10319030	Shield, Dispenser

FOR ORDERING INFORMATION REFER TO PARTS PRICE LIST

# FILL, DRAIN AND OVERFILL PARTS

For Models: KUDE70FVPA4  
(Panel Ready)

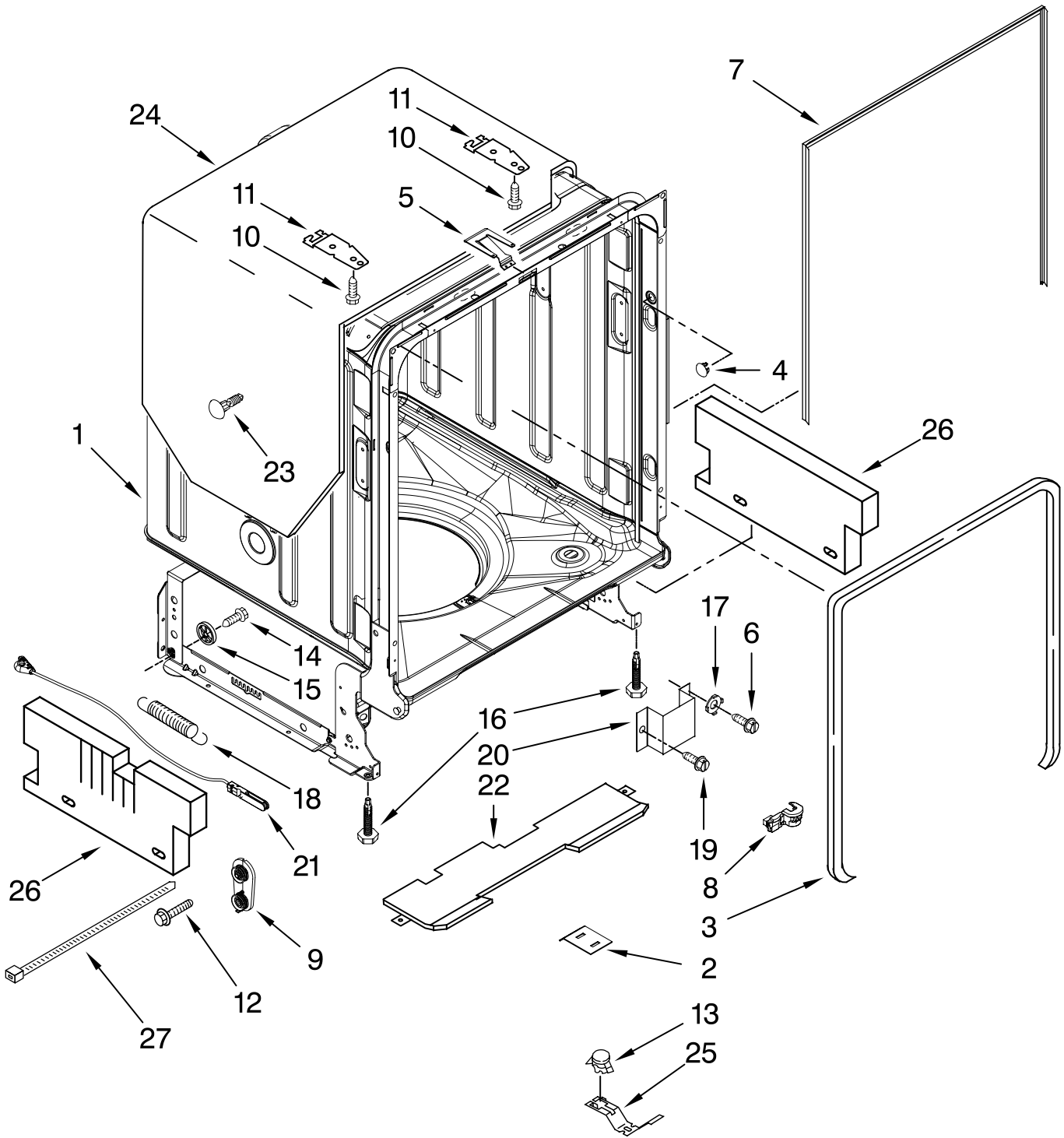


Illus. No.	Part No.	DESCRIPTION
1	8268892	Lever, Overfill Switch
2	8531412	Hose, Inlet
3	W10195536	Water Inlet (Also Order Item 4)
4	8531323	Gasket
5	W10213826	Nut, Inlet (Also Order Item 4)
6	371505	Clamp, Hose
7	W10195048	Fill Valve Assembly
8	304392	Screw
9	W10102495	Switch, Overfill Control
10	8545946	Standpipe, Overflow (Includes Item 11)
11	8531743	Gasket, Flat
12	9741998	Nut, Standpipe
13	W10077871	Float & Retainer Assembly
14	W10292152	Miscellaneous Parts Bag
15	8269146	Clamp, Hose
16	W10195751	Drain Loop with Check Valve Assembly

FOR ORDERING INFORMATION REFER TO PARTS PRICE LIST

# TUB AND FRAME PARTS

For Models: KUDE70FVPA4  
(Panel Ready)



FOR ORDERING INFORMATION REFER TO PARTS PRICE LIST

# TUB AND FRAME PARTS

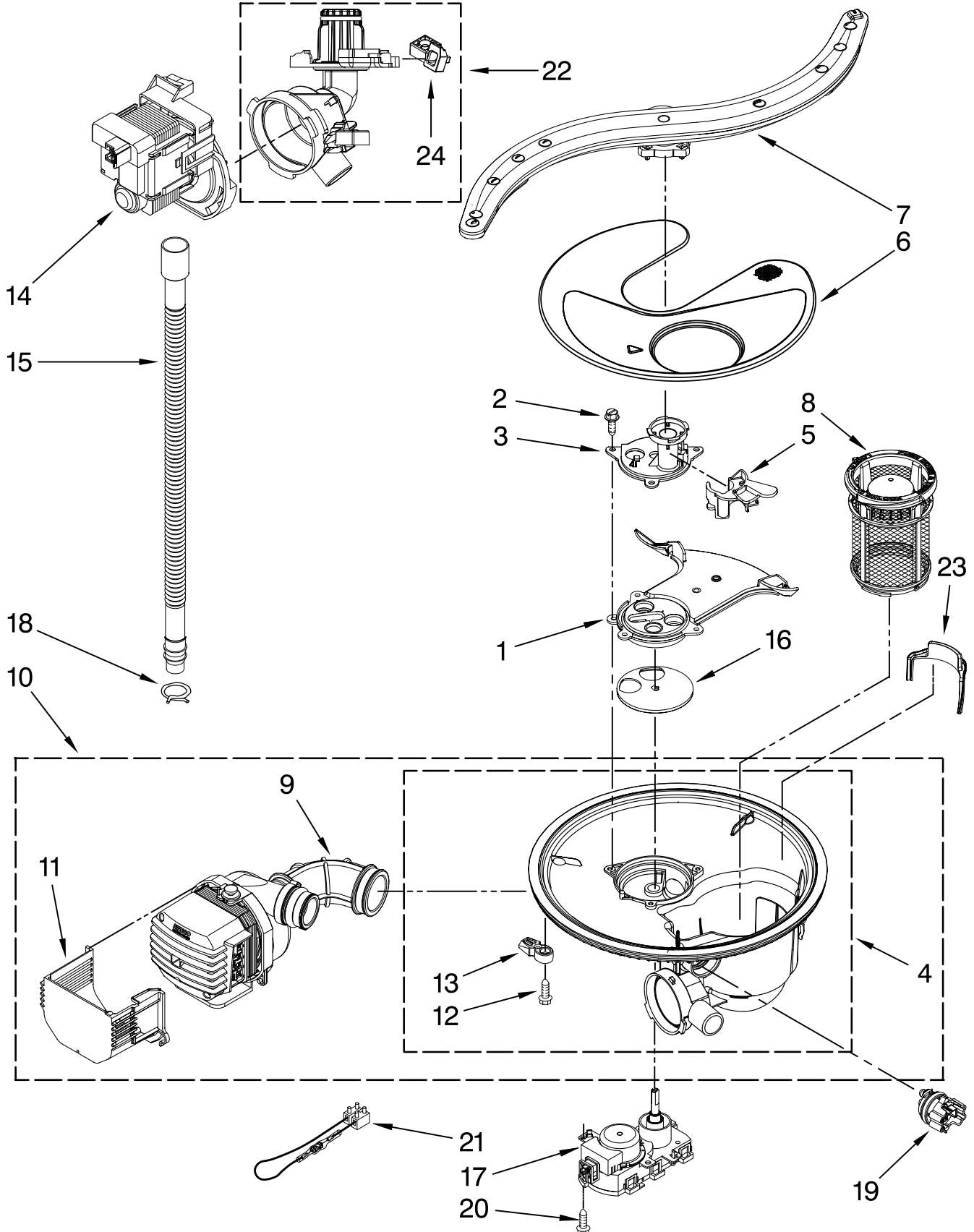
For Models: KUDE70FVPA4  
(Panel Ready)

<b>Illus. No.</b>	<b>Part No.</b>	<b>DESCRIPTION</b>
1	W10319022	Tub Assembly (Also Includes Heater Assembly)
2	W10321574	Shield, Thermostat Undercounter
3	W10112096	Door Seal
4	W10082838	Plug Tub
5	W10317686	Strike, Plate
6	3400014	Screw
7	W10179427	Seal, Cabinet
8	8573061	Strain Relief
9	W10084086	Door, Balance Assembly
10	3367670	Screw
11	8269145	Bracket, Undercounter
12	3400074	Screw
13	661566	Thermostat
14	3370389	Screw
15	8268977	Wheel Leg
16	8524584	Leveler, Leg
17	3378128	Washer Pronged Cup
18	8270020	Spring, Door Balance
19	3400892	Screw
20	8268991	Cover, Terminal Box
21	W10158291	Cable, Door Assembly
22	W10266856	Insulator, Sound
23	304666	Retainer, Push
24	8573239	Shield, Sound Tub
25	9742648	Bracket, Thermostat
26	W10275523	Shield, Side (Left & Right)
27	8539404	Wrap, Tie

FOR ORDERING INFORMATION REFER TO PARTS PRICE LIST

# PUMP, WASHARM AND MOTOR PARTS

For Models: KUDE70FVPA4  
(Panel Ready)



FOR ORDERING INFORMATION REFER TO PARTS PRICE LIST

# PUMP, WASHARM AND MOTOR PARTS

For Models: KUDE70FVPA4  
(Panel Ready)

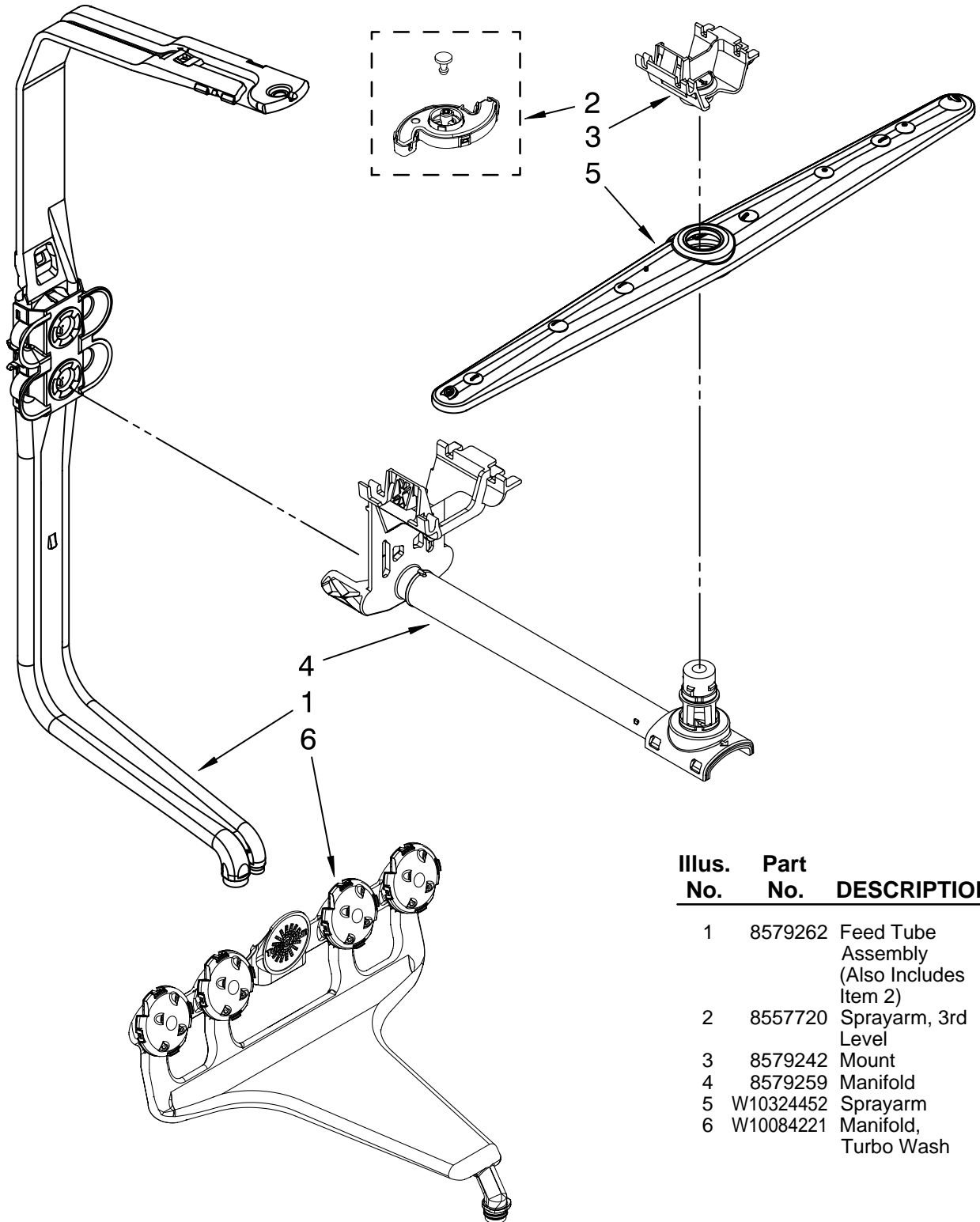
<b>Illus. No.</b>	<b>Part No.</b>	<b>DESCRIPTION</b>
1	8579241	Cover, Sieve
2	W10348405	Screw
3	W10311176	Cover, Outlet
4	W10208687	Sump With Seal (Includes Items 12, 13 and 2 Hose Clamps)
5	8579298	Retainer, Feed Tube
6	8579253	Screen
7	W10320512	Wash Arm Assembly
8	W10056426	Filter Cup, Assembly
9	8579311	Hose, Inlet (Includes 3 Hose Clamps)
10	W10056309	Motor & Sump Assy. (Includes Item 21)
11	8579272	Shield, Motor
12	W10348407	Screw
13	8579289	Tab, Sump
14	W10158351	Pump, Drain
15	8269144	Hose, Drain
16	8579251	Disc-Valve Diverter
17	W10056349	Motor, Diverter Valve (Includes Item 21)
18	356138	Hose Clamp
19	W10134017	Optical Water Indicator
20	9741232	Screw
21	W10083167	Fuse In-Line
22	W10179455	Drain De-Coupler Assembly
23	W10056308	Baffle, Sump
24	W10179454	Block, Mounting

FOR ORDERING INFORMATION REFER TO PARTS PRICE LIST



# UPPER WASH AND RINSE PARTS

For Models: KUDE70FVPA4  
(Panel Ready)

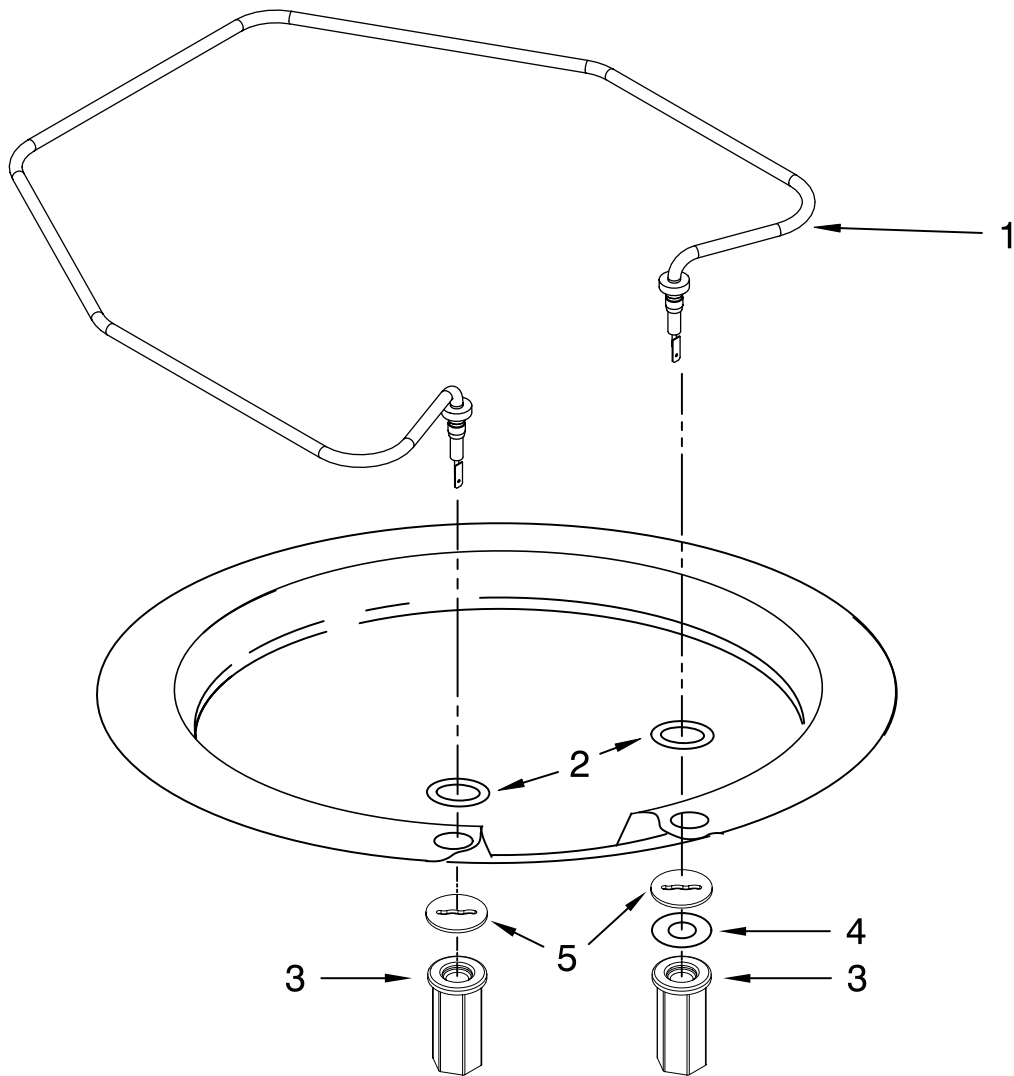


Illus. No.	Part No.	DESCRIPTION
1	8579262	Feed Tube Assembly (Also Includes Item 2)
2	8557720	Sprayarm, 3rd Level
3	8579242	Mount
4	8579259	Manifold
5	W10324452	Sprayarm
6	W10084221	Manifold, Turbo Wash

FOR ORDERING INFORMATION REFER TO PARTS PRICE LIST

# HEATER PARTS

For Models: KUDE70FVPA4  
(Panel Ready)



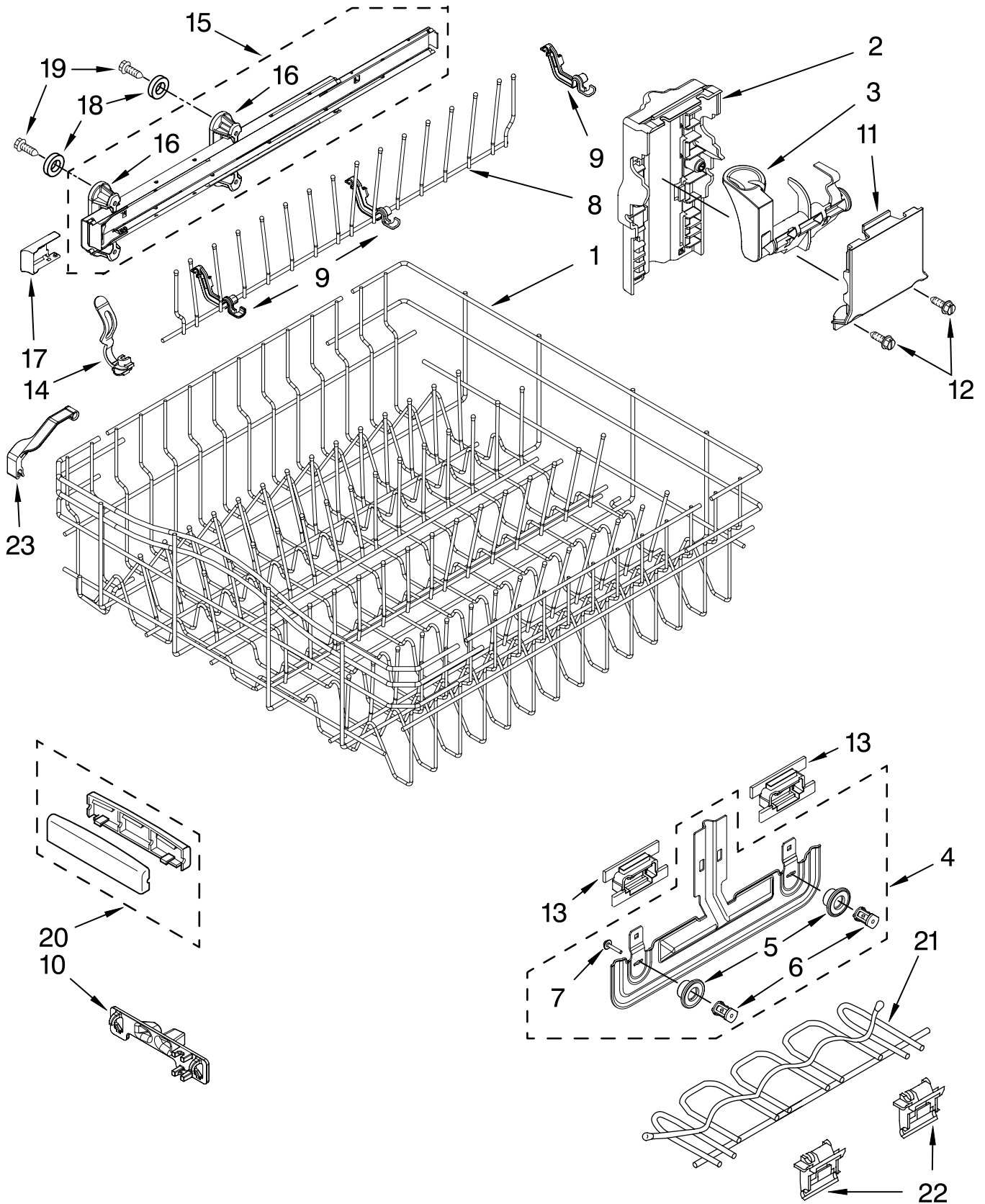
Illus. No.	Part No.	DESCRIPTION
1	W10082892	Heater Element Assembly (Also Includes Item 2)
2	717273	Washer, Heater Element
3	8268548	Nut, Heater Element
4	3400931	Retainer, Spring Grip
5	W10343251	Shield, Heater Nut

**NOTE:** If heater element is removed, it must be replaced.

FOR ORDERING INFORMATION REFER TO PARTS PRICE LIST

# UPPER RACK AND TRACK PARTS

For Models: KUDE70FVPA4  
(Panel Ready)



FOR ORDERING INFORMATION REFER TO PARTS PRICE LIST

# UPPER RACK AND TRACK PARTS

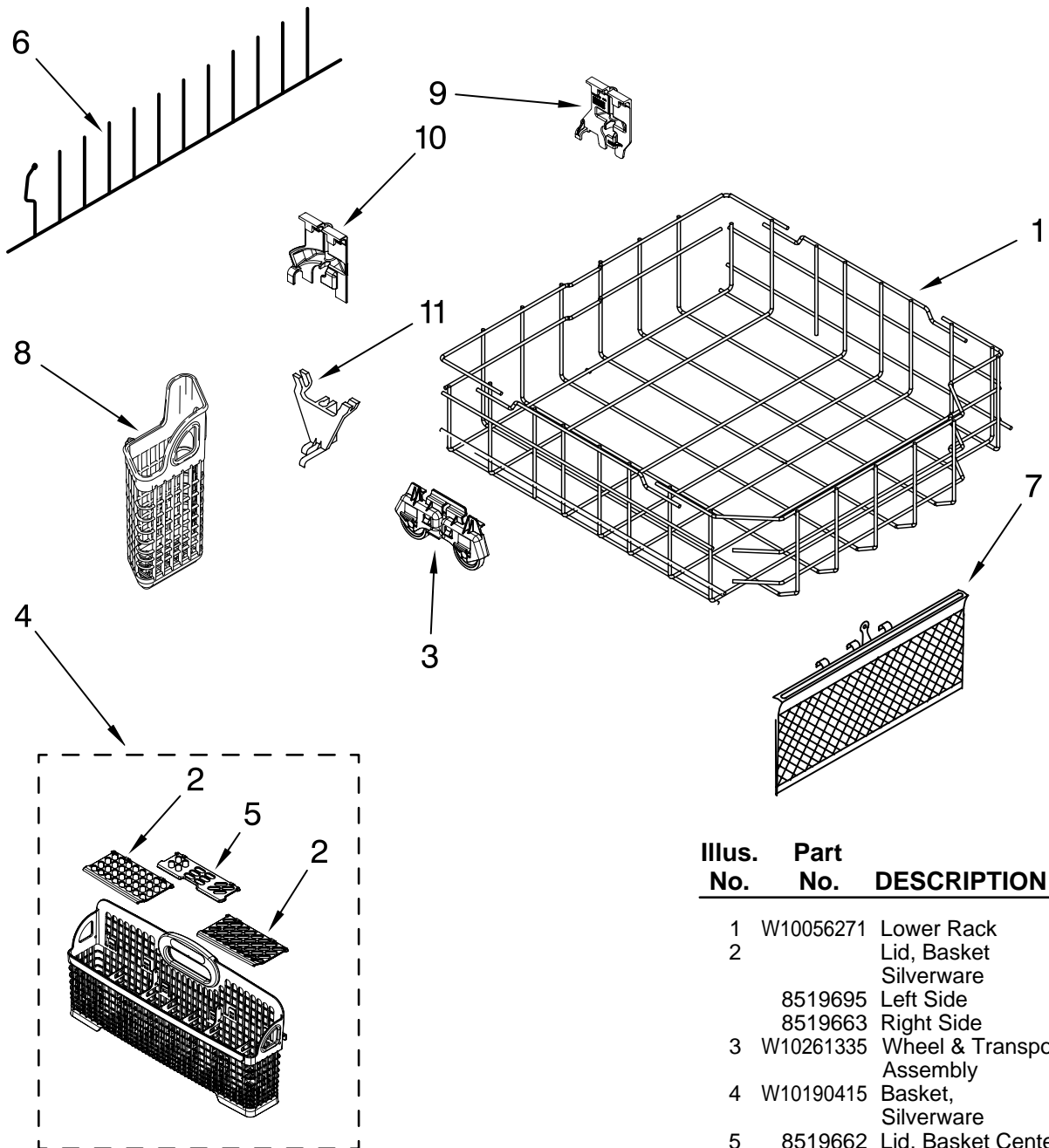
For Models: KUDE70FVPA4  
(Panel Ready)

<b>Illus. No.</b>	<b>Part No.</b>	<b>DESCRIPTION</b>
1	W10056270	Dishrack, Upper
2	W10082839	Housing, Adjuster
3		Actuator, Adjuster
	W10077838	Right Hand
	W10077839	Left Hand
4	8268653	Adjuster Assembly
5	8270138	Wheel
6	8268703	Axel, Adjuster
7	8281156	Screw
8	8562030	Tine Row
9	W10082853	Clip, Pivot
10	8539102	Positioner, Dual
11	W10082840	Cover, Adjuster
12	9741232	Retainer
13	W10082834	Positioner, Arm
14	W10077844	Clip, No-Flip
15		Track, Assembly
	W10247508	Right Hand
	W10247507	Left Hand (Also Order Item 18)
16	W10077876	Mount, Track (Also Order Item 18)
17	W10077854	Stop, Track
18	9743002	Gasket, Bracket Mounting
19	3400072	Screw
20	8539110	Handle, Dishrack
21	8562029	Cupshelf
22	8562026	Clip, Cupshelf
23	W10267076	Clip, Dispenser Guard

FOR ORDERING INFORMATION REFER TO PARTS PRICE LIST

# LOWER RACK PARTS

For Models: KUDE70FVPA4  
(Panel Ready)

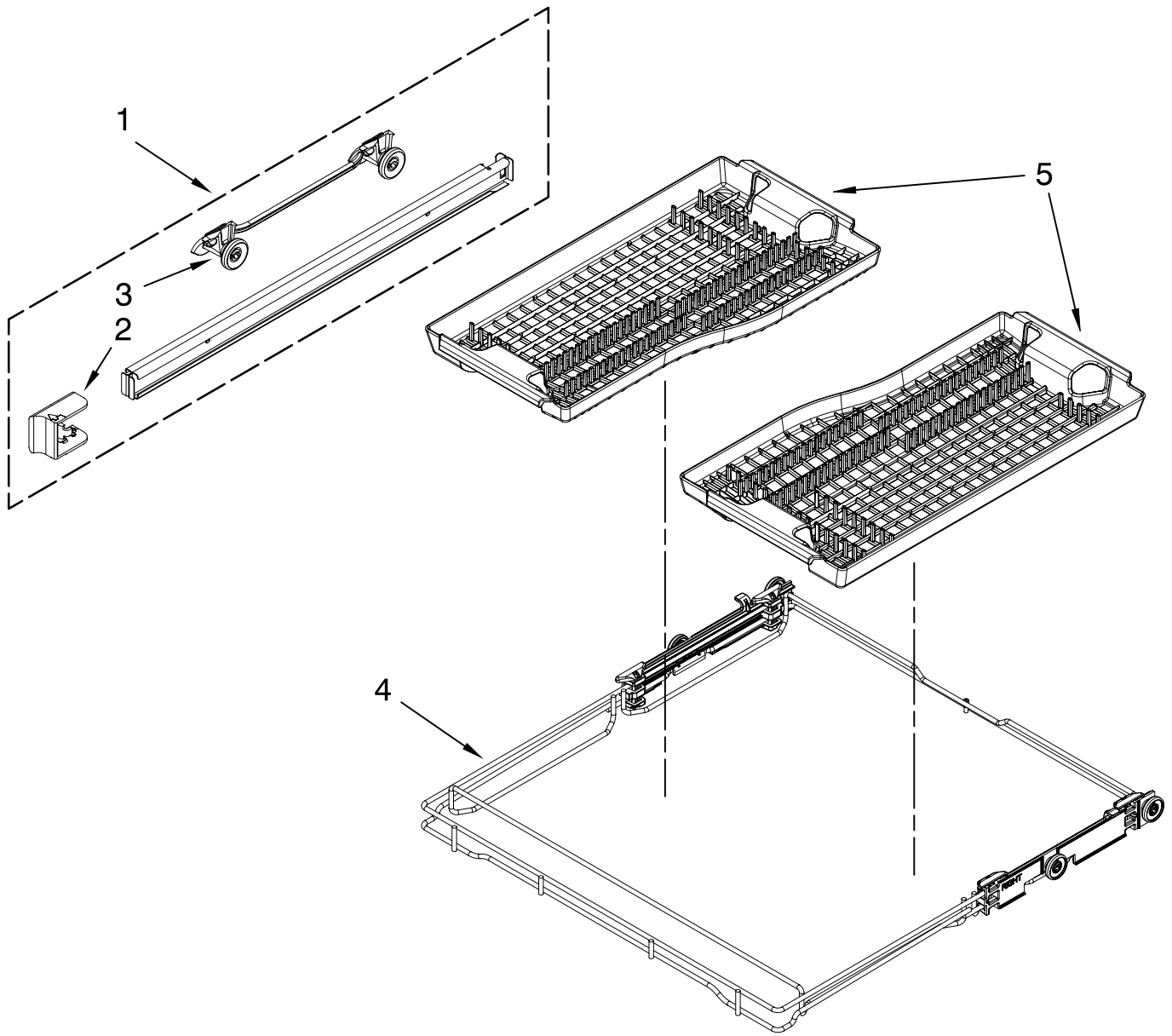


Illus. No.	Part No.	DESCRIPTION
1	W10056271	Lower Rack
2		Lid, Basket Silverware
	8519695	Left Side
	8519663	Right Side
3	W10261335	Wheel & Transport Assembly
4	W10190415	Basket, Silverware
5	8519662	Lid, Basket Center
6	W10056272	Tine, Row
7	8519716	Basket, Small Items
8	8519702	Basket, Utensil
9	W10175279	Retainer, Tine Row
10	W10078215	Retainer, Tine Row (Combo)
11	W10078227	Pivot, Tine Row

FOR ORDERING INFORMATION REFER TO PARTS PRICE LIST

# THIRD LEVEL RACK AND TRACK PARTS

For Models: KUDE70FVPA4  
(Panel Ready)



Illus. No.	Part No.	DESCRIPTION
1	W10195241	Track Assembly Right
	W10195239	Track Assembly Left
2	W10077854	Stop, Track Right Hand
	W10077847	Stop, Track Left Hand
3	8564899	Mount, Track
4	W10275189	Rack Assembly (Third Level)
5	8564901	Basket-TLR

FOR ORDERING INFORMATION REFER TO PARTS PRICE LIST

# OPTIONAL PARTS (NOT INCLUDED)

For Models: KUDE70FVPA4  
(Panel Ready)

Illus. Part No. No. DESCRIPTION	Illus. Part No. No. DESCRIPTION	Illus. Part No. No. DESCRIPTION
<b><u>ACCESSORIES</u></b>		
Side Panel Kits 8171656 White 8171657 Black 8171658 Biscuit 8171659 Stainless Steel	<b><u>PAINT, TOUCH-UP (1/2oz.)</u></b>  72017 White 72032 Black 4392899 Biscuit 4396603 Meteorite	<b><u>POWER CORD KIT</u></b>  4317824 Power Cord Kit (Includes Power Cord & Misc. Hardware)
Custom Panel & Trim Kit 8212489 Black	<b><u>PAINT, PRESSURIZED SPRAY (12 oz.)</u></b>  350930 White 285006 Superior Black 4392901 Biscuit	<b><u>ANTI-TIP KIT</u></b>  8171477 Floor Mount Kit 8212560 Side Mount Kit
Towel Bar Handle Kit 8573938 Stainless Steel	<b><u>PAINT, BULK (1 qt.)</u></b>  799344 White (Uncut) 4392900 Biscuit	<b><u>DISHRACK REPAIR</u></b>  4396838 White 4396840 Grey 4396854 Silver Atlantis
Architect II Handles  W10083935A Stainless Steel W10083936A Black W10083937A White W10083938A Biscuit		
Drain Hose 3385556 12 Ft.		
Vinyl Touch-Up (4oz.) 676453 White 676455 Grey 4396853 Silver Atlantis		
Moisture Barrier Kit 4396277 Kit		

FOR ORDERING INFORMATION REFER TO PARTS PRICE LIST

## Free Manuals Download Website

<http://myh66.com>

<http://usermanuals.us>

<http://www.somanuals.com>

<http://www.4manuals.cc>

<http://www.manual-lib.com>

<http://www.404manual.com>

<http://www.luxmanual.com>

<http://aubethermostatmanual.com>

Golf course search by state

<http://golfingnear.com>

Email search by domain

<http://emailbydomain.com>

Auto manuals search

<http://auto.somanuals.com>

TV manuals search

<http://tv.somanuals.com>