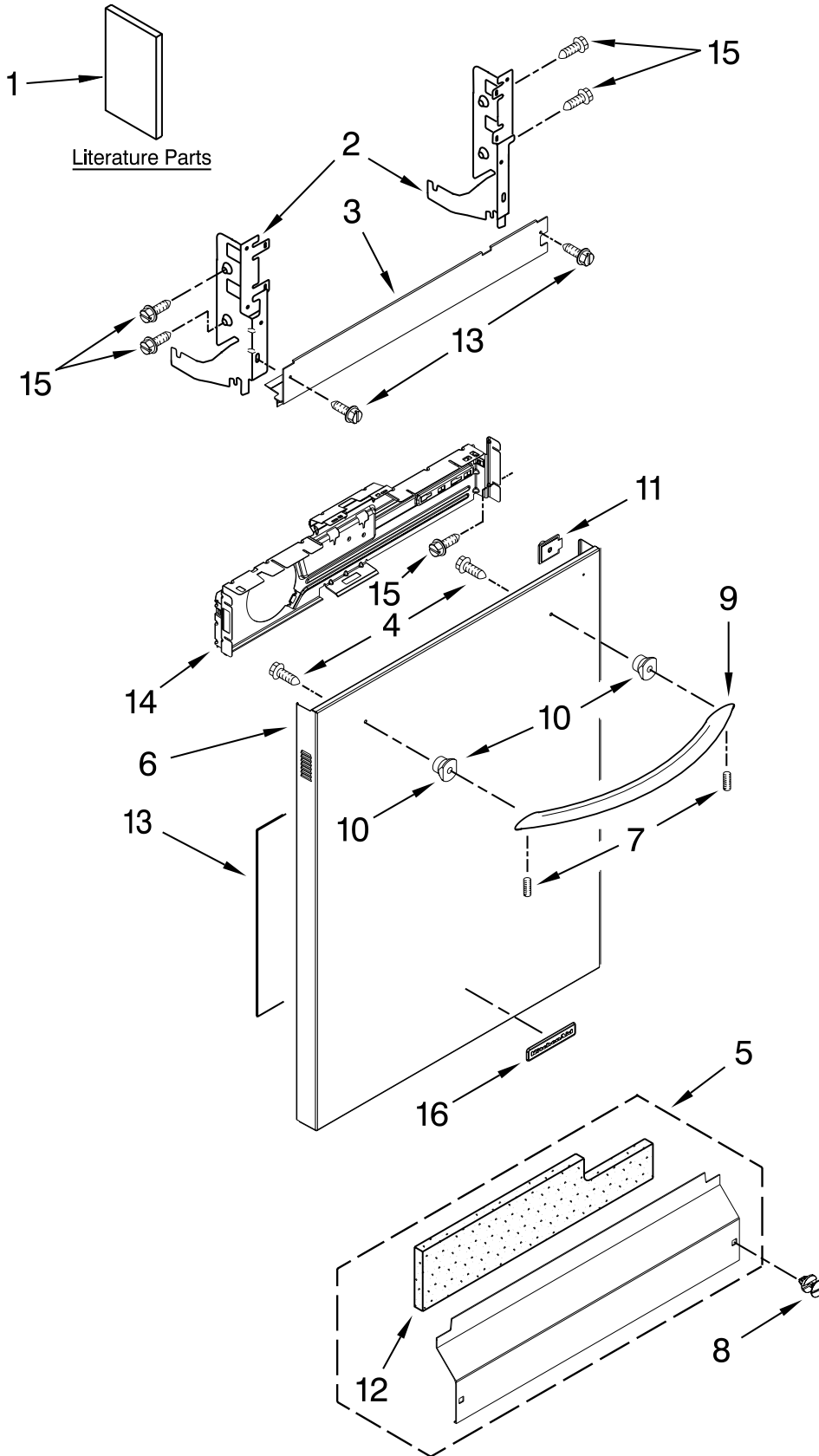


DOOR AND PANEL PARTS

For Models: KUDL15FXBL5, KUDL15FXWH5, KUDL15FXSS5
(Black) (White) (Stainless)

UNDERCOUNTER
DISHWASHER

KitchenAid®

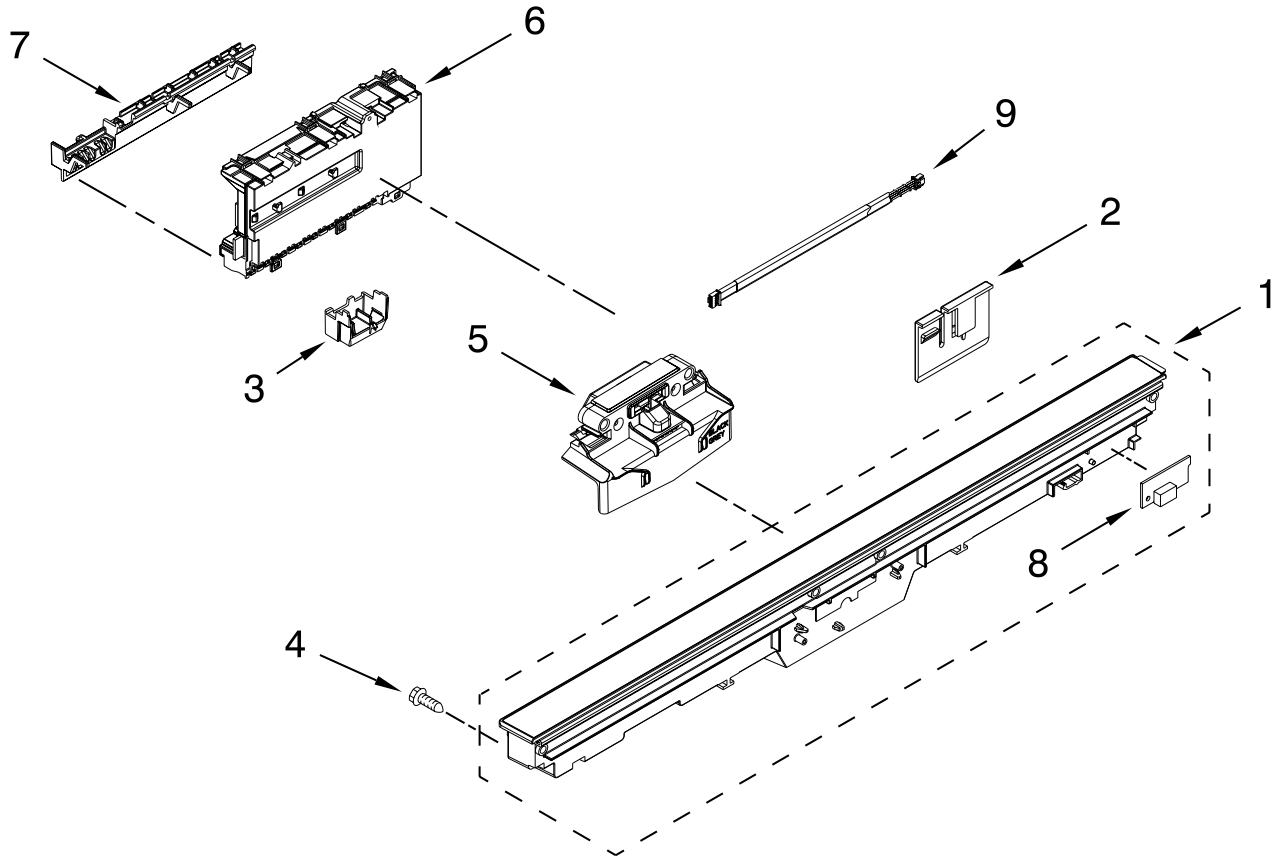


Illus. No.	Part No.	DESCRIPTION
1		Literature Parts
	W10321621	Instructions, Installation
	W10395351	Energy Guide
	W10300929	Guide, Use & Care English/French
	W10300597	Guide, Use & Care Spanish
	W10321874	Tech Sheet/English
	W10321875	Tech Sheet/French
2		Arm, Hinge
	8534854	Left
	8534853	Right
3	W10321449	Vapor Barrier Assembly
4	W10316572	Screw
5		Access Panel
	W10369024	Black
	W10369026	White
6		Panel, Full Front (Includes Items 10, 11 & 16)
	W10195873	Black
	W10195872	White
	W10195870	Stainless
7	W10307614	Screw
8		Fastener
	W10331789	Black
	W10331793	White
9		Handle Assembly (Includes Item 7)
	W10195735	Black
	W10195736	White
	W10195738	Stainless
10	W10195726	Stud, Mounting
11	W10319007	Light, Pipe
12	W10073540	Insulation, Access Panel
13	W10073520	Insulation, Front Panel
14	W10194911	Bracket, Panel Control
15	3400071	Screw
16		Nameplate
	W10243392	Black
	W10243393	White
	W10243391	Stainless

FOR ORDERING INFORMATION REFER TO PARTS PRICE LIST

CONTROL PANEL AND LATCH PARTS

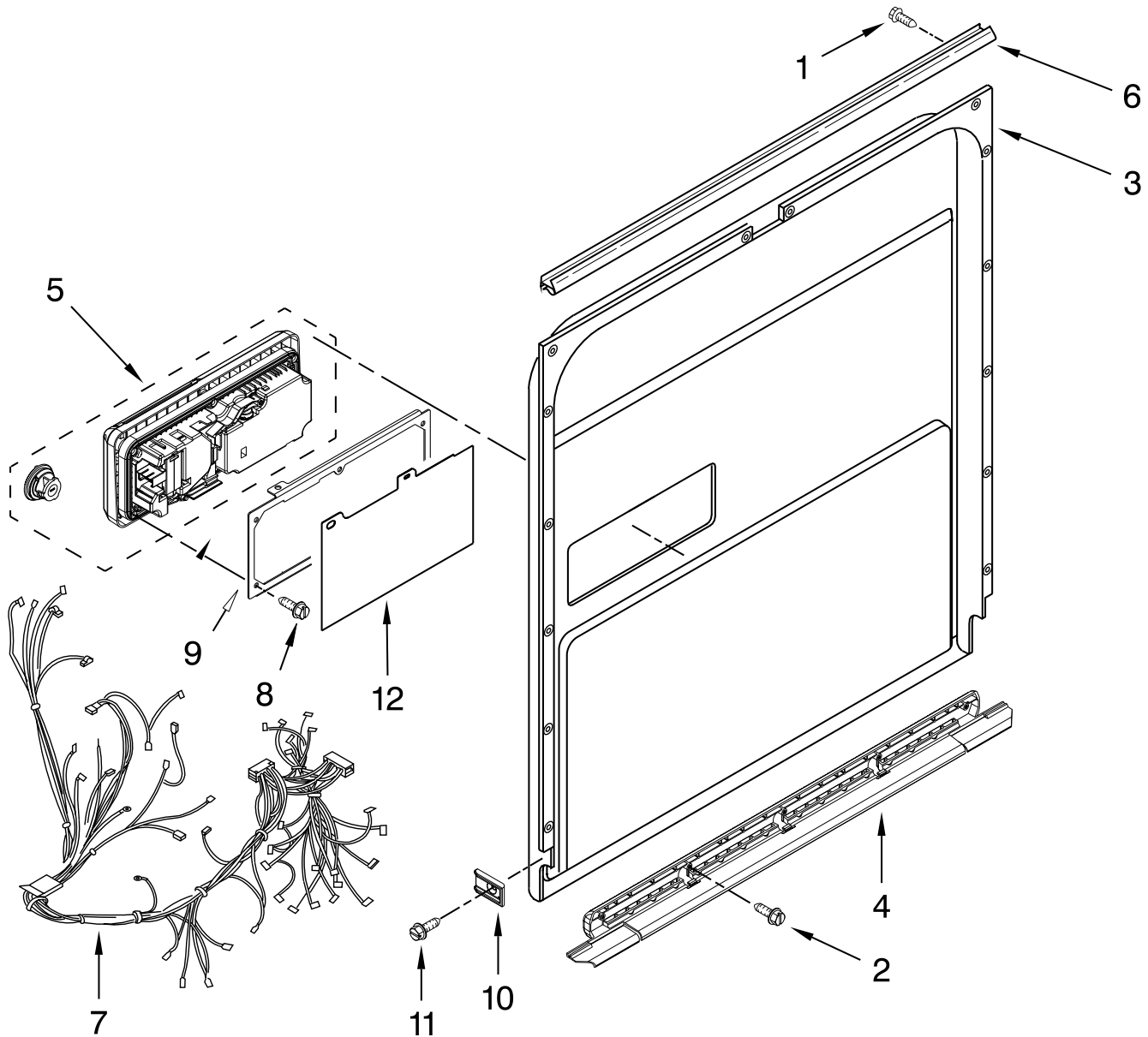
For Models: KUDL15FXBL5, KUDL15FXWH5, KUDL15FXSS5
 (Black) (White) (Stainless)



Illus. No.	Part No.	DESCRIPTION
1		Console Assembly
	W10356929	Black
	W10356933	White
	W10356934	Stainless
2	W10195237	Clip, Control
3	W10401190	Box, Connector
4	W10348409	Screw
5	W10370003	Latch Assembly (Includes Switch)
6	W10461374	Control, Electronic
7	W10194937	Brace, Connector
8	W10195836	Light, Status
9	W10195666	Jumper

INNER DOOR PARTS

For Models: KUDL15FXBL5, KUDL15FXWH5, KUDL15FXSS5
(Black) (White) (Stainless)



Illus. No.	Part No.	DESCRIPTION
1	W10348409	Screw, Door
2	8281217	Screw
3	W10418364	Inner Door & Mastic Assembly
4	W10195543	Seal, Door Bottom

Illus. No.	Part No.	DESCRIPTION
5	W10304408	Dispenser, Assembly
6	W10195007	Seal, Console/Door
7	W10392483	Wiring Harness
8	W10177098	Screw

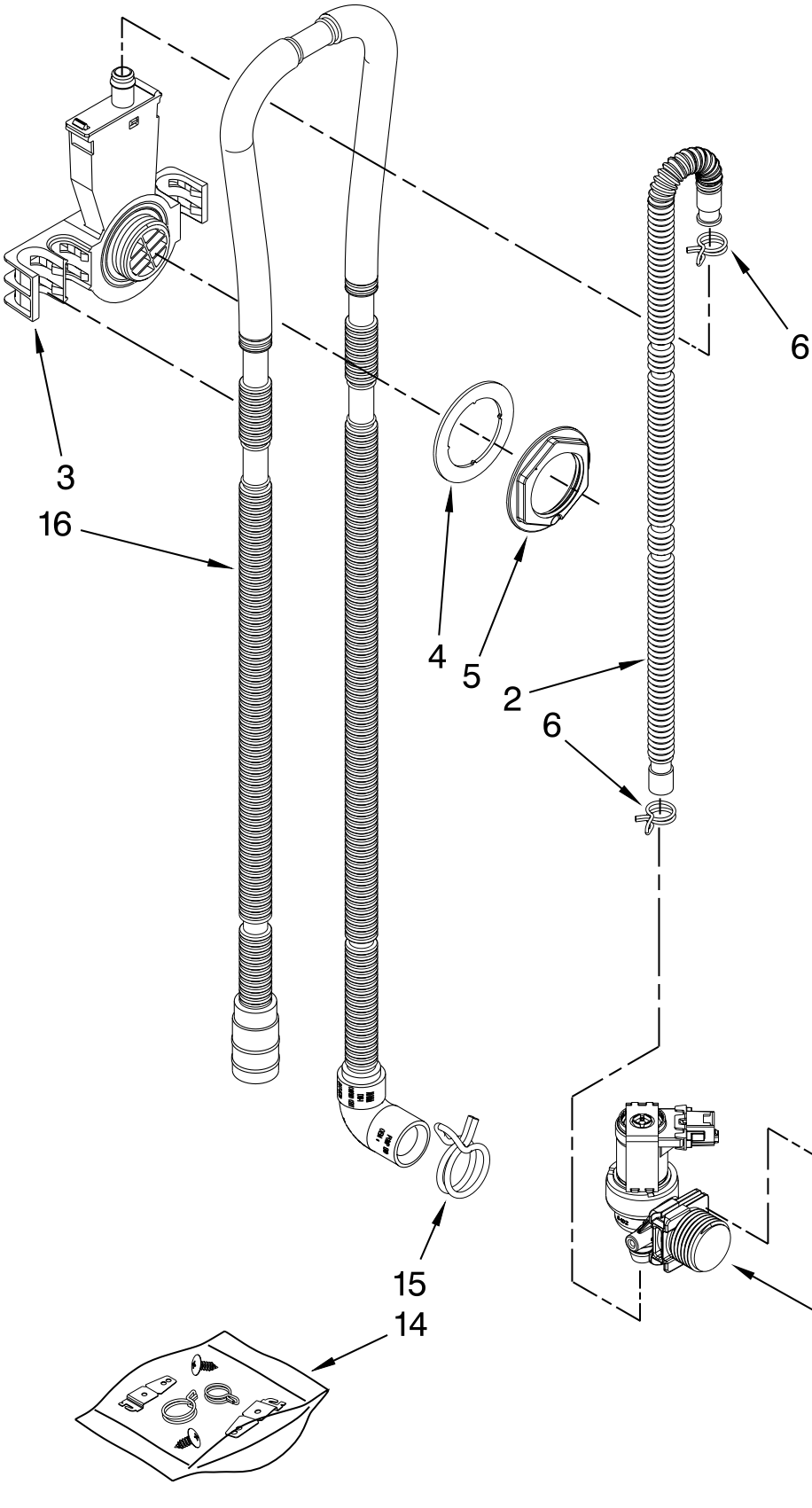
Illus. No.	Part No.	DESCRIPTION
9	W10341423	Bracket Dispenser
10	W10195837	Barrier, Vapor Door
11	3400071	Screw
12	W10385977	Shield, Dispenser

FOR ORDERING INFORMATION REFER TO PARTS PRICE LIST

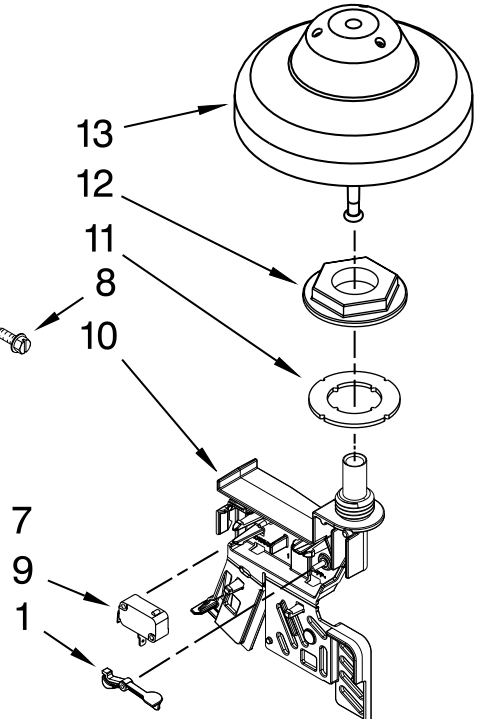
FILL, DRAIN AND OVERFILL PARTS

For Models: KUDL15FXBL5, KUDL15FXWH5, KUDL15FXSS5
(Black) (White) (Stainless)

Illus. No.	Part No.	DESCRIPTION
------------	----------	-------------



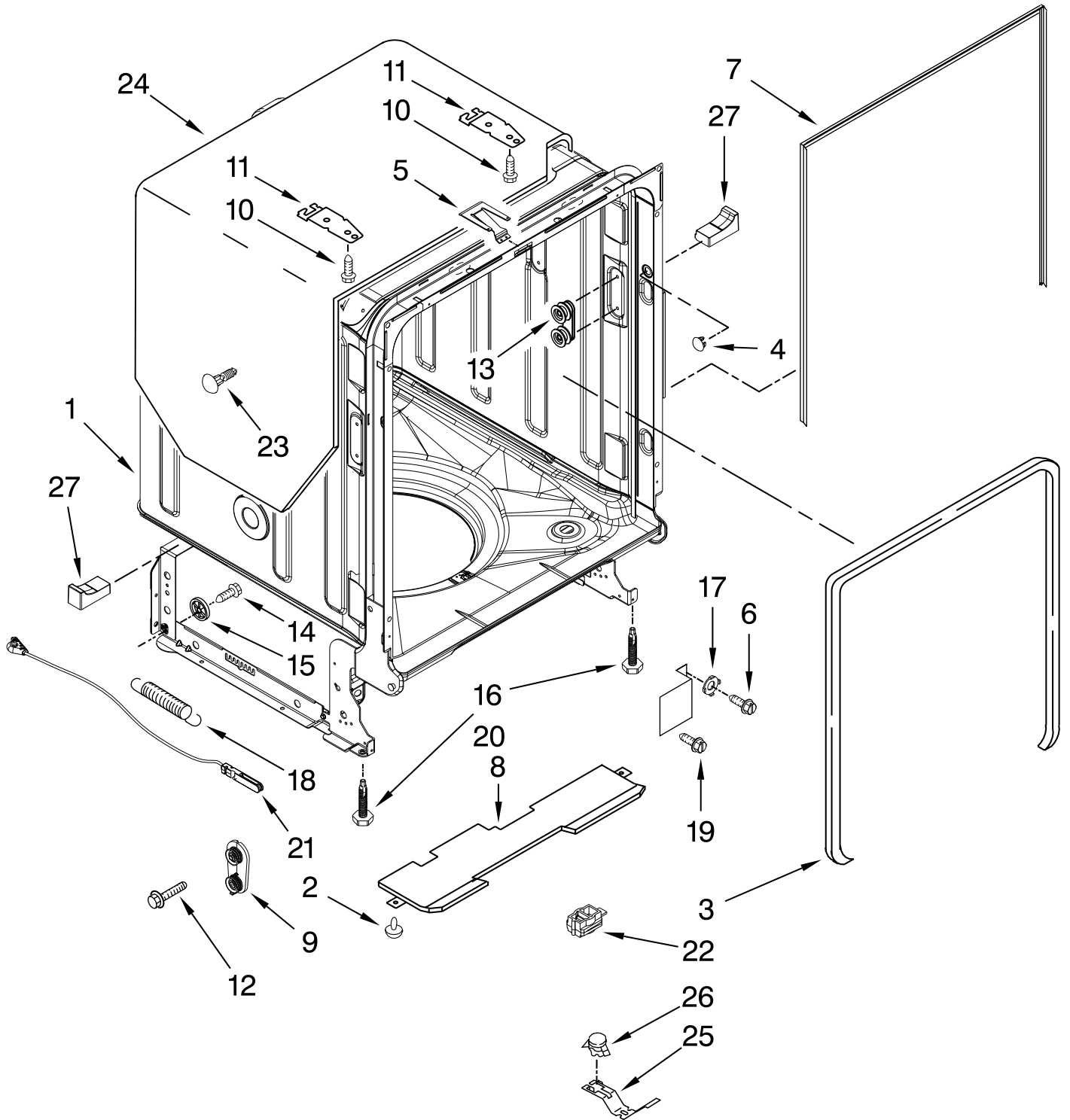
- | | | |
|----|-----------|---|
| 1 | W10195037 | Lever, Overflow Switch |
| 2 | 8531412 | Hose, Inlet |
| 3 | W10195536 | Water Inlet (Also Order Items 4) |
| 4 | 8531323 | Gasket |
| 5 | W10213826 | Nut, Inlet (Also Order Item 4) |
| 6 | 371505 | Clamp, Hose |
| 7 | W10316814 | Fill Valve Assembly |
| 8 | 304392 | Screw |
| 9 | W10195039 | Switch, Overflow Control |
| 10 | W10195035 | Standpipe, Overflow (Also Order #11) |
| 11 | 8531743 | Gasket, Flat |
| 12 | W10195038 | Nut, Standpipe |
| 13 | W10195036 | Float & Retainer Assembly |
| 14 | W10292152 | Miscellaneous Parts Bag (Contains 2 Hose Clamps, Screws & 2 Under Counter Brackets) |
| 15 | 370445 | Clamp, Hose |
| 16 | W10195750 | Drain Loop with Check Valve Assembly |



FOR ORDERING INFORMATION REFER TO PARTS PRICE LIST

TUB AND FRAME PARTS

For Models: KUDL15FXBL5, KUDL15FXWH5, KUDL15FXSS5
(Black) (White) (Stainless)



FOR ORDERING INFORMATION REFER TO PARTS PRICE LIST

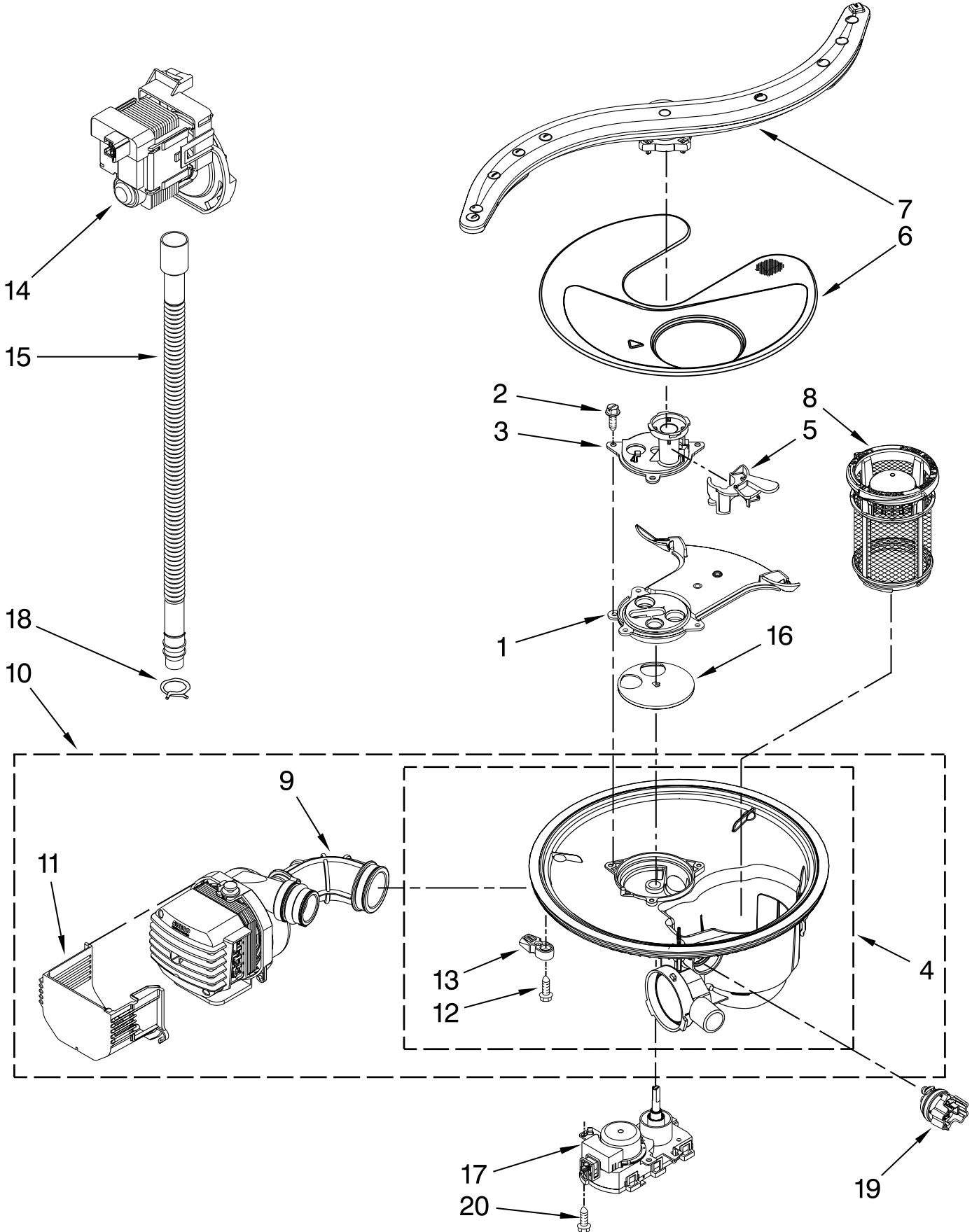
TUB AND FRAME PARTS

For Models: KUDL15FXBL5, KUDL15FXWH5, KUDL15FXSS5
(Black) (White) (Stainless)

Illus. No.	Part No.	DESCRIPTION
1	W10390304	Tub Assembly (Also Includes Heater Assembly)
2	3400924	Retainer, Push
3	W10300924	Seal, Door
4	W10082838	Plug, Tub
5	W10300779	Strike, Plate
6	3400014	Screw
7	W10179427	Seal, Cabinet
8	W10195368	Insulation Bottom
9	W10084086	Door, Balance Assembly
10	3367670	Screw
11	8269145	Bracket, Undercounter
12	3400074	Screw
13	W10195330	Wheel, Tub
14	W10348411	Screw
15	8268977	Wheel Leg
16	8524584	Leveler, Leg
17	3378128	Washer Pronged Cup
18	8270020	Spring, Door Balance
19	3400892	Screw
20	8268991	Cover, Terminal Box
21	W10158291	Cable, Door Assembly
22	W10292870	Protector
23	304666	Retainer, Push
24	8573240	Shield, Sound Tub
25	W10300703	Bracket, Thermostat
26	W10339563	Thermostat
27	W10195630	Spacer, Tub/Brace Left
	W10195631	Right

PUMP, WASHARM AND MOTOR PARTS

For Models: KUDL15FXBL5, KUDL15FXWH5, KUDL15FXSS5
(Black) (White) (Stainless)



FOR ORDERING INFORMATION REFER TO PARTS PRICE LIST

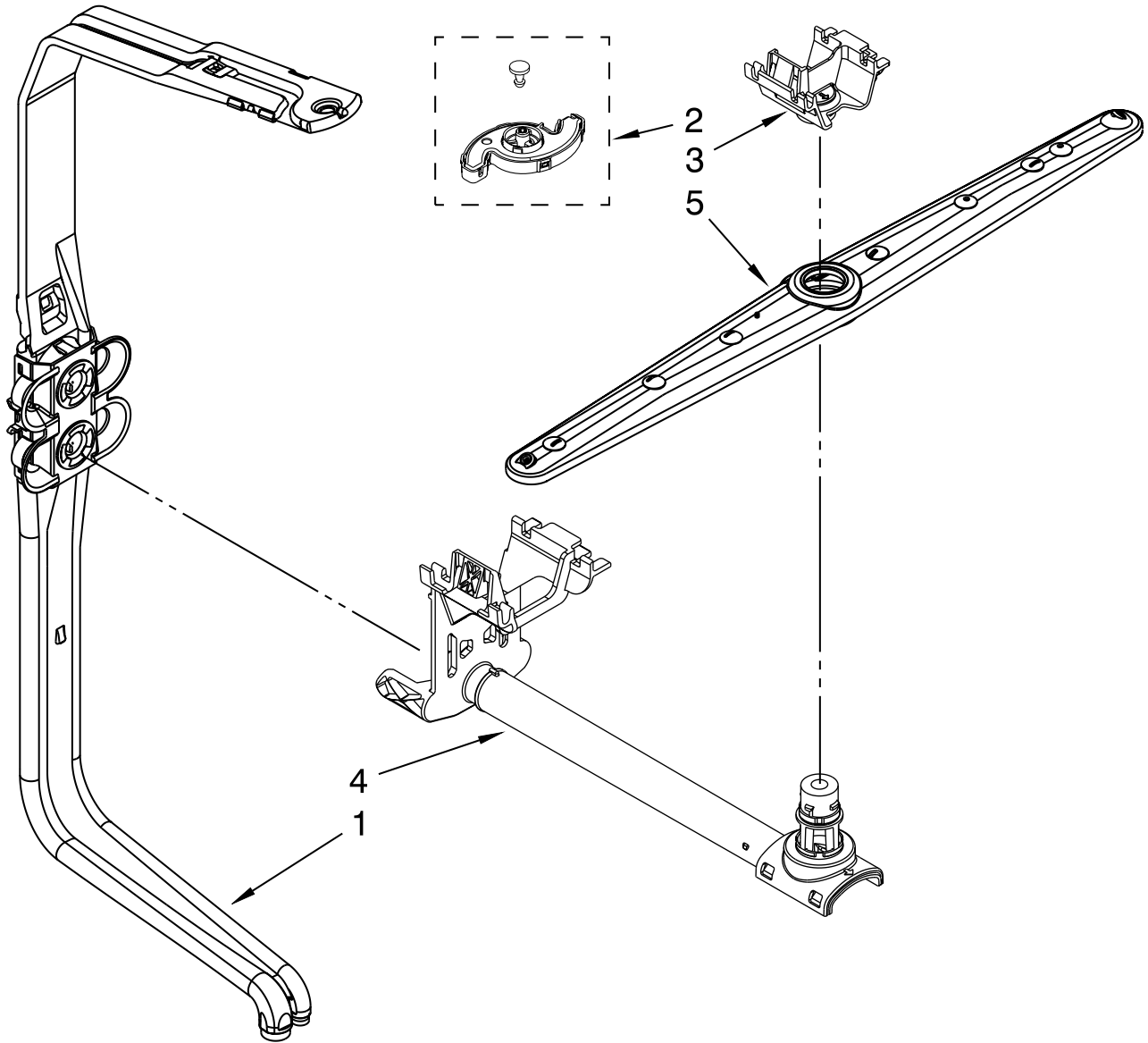
PUMP, WASHARM AND MOTOR PARTS

For Models: KUDL15FXBL5, KUDL15FXWH5, KUDL15FXSS5
(Black) (White) (Stainless)

Illus.	Part	
No.	No.	DESCRIPTION
1	8579241	Cover, Sieve
2	W10348405	Screw
3	W10324447	Cover, Outlet
4	W10208687	Sump With Seal
5	8579298	Retainer, Feed Tube
6	8579253	Screen
7	W10320512	Wash Arm Assembly
8	W10393352	Filter Cup, Assembly
9	W10168824	Hose, Inlet (Includes 3 Hose Clamps)
10	W10328225	Motor & Sump Assy.
11	8579272	Shield, Motor
12	W10348407	Screw
13	W10372113	Tab, Sump
14	W10158351	Pump, Drain
15	8269144	Hose, Drain
16	8579251	Disc-Valve Diverter
17	W10056349	Motor, Diverter Valve
18	8269146	Hose Clamp
19	W10134017	Optical Water Indicator
20	9741232	Screw

UPPER WASH AND RINSE PARTS

For Models: KUDL15FXBL5, KUDL15FXWH5, KUDL15FXSS5
 (Black) (White) (Stainless)

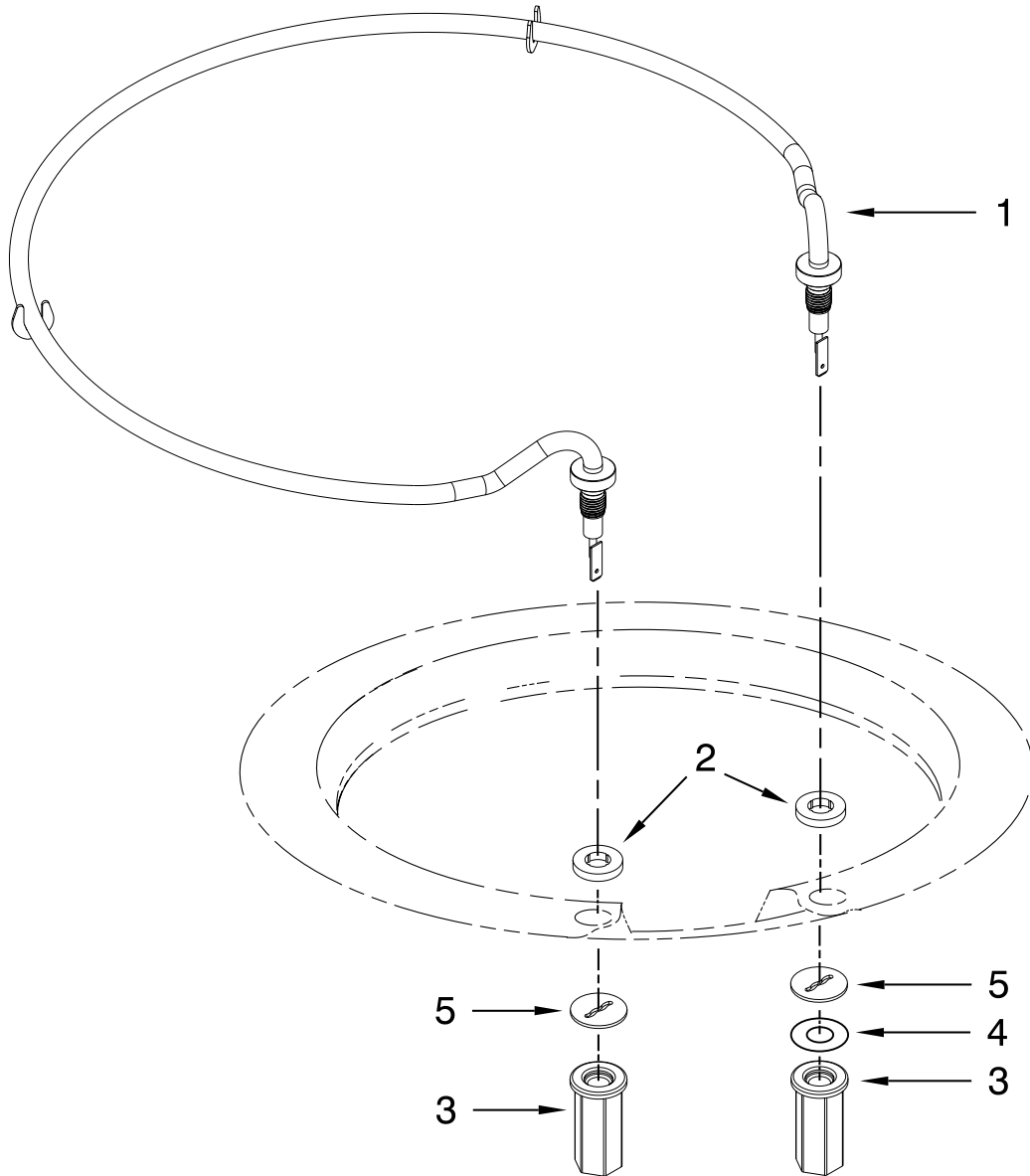


Illus. No.	Part No.	DESCRIPTION
1	8579262	Feed Tube Assembly (Also Includes Item 2)
2	8557720	Sprayarm, 3rd Level
3	8579242	Mount
4	8579259	Manifold
5	W10324452	Sprayarm

FOR ORDERING INFORMATION REFER TO PARTS PRICE LIST

HEATER PARTS

For Models: KUDL15FXBL5, KUDL15FXWH5, KUDL15FXSS5
 (Black) (White) (Stainless)



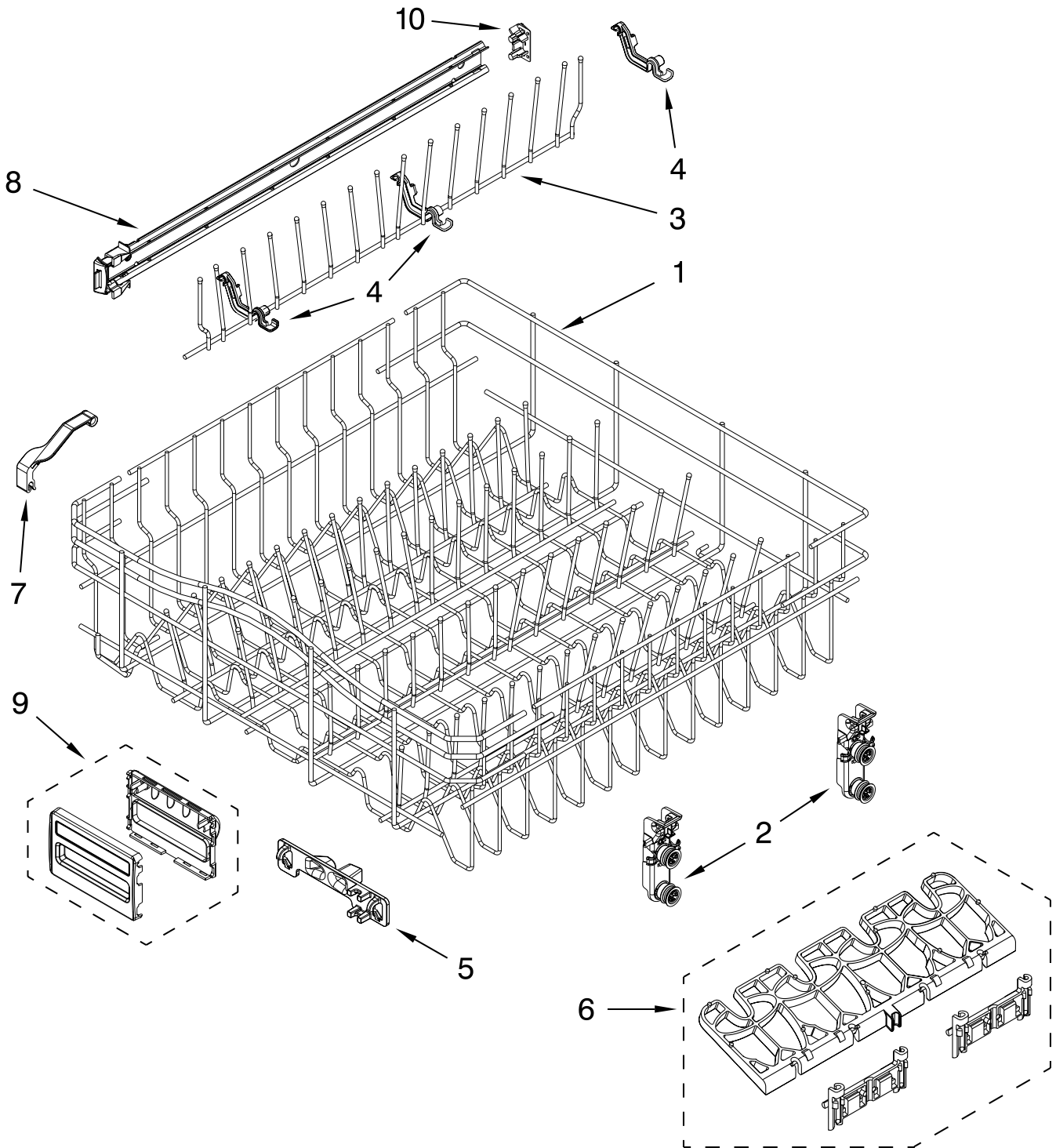
Illus. No.	Part No.	DESCRIPTION
1	W10329322	Heater Element Assembly (Also Includes Item 2)
2	717273	Washer, Heater Element
3	8268548	Nut, Heater Element
4	3400931	Retainer, Spring Grip
5	W10343251	Shield, Heater Nut

NOTE: If heater element is removed, it must be replaced.

FOR ORDERING INFORMATION REFER TO PARTS PRICE LIST

UPPER RACK AND TRACK PARTS

For Models: KUDL15FXBL5, KUDL15FXWH5, KUDL15FXSS5
(Black) (White) (Stainless)



FOR ORDERING INFORMATION REFER TO PARTS PRICE LIST

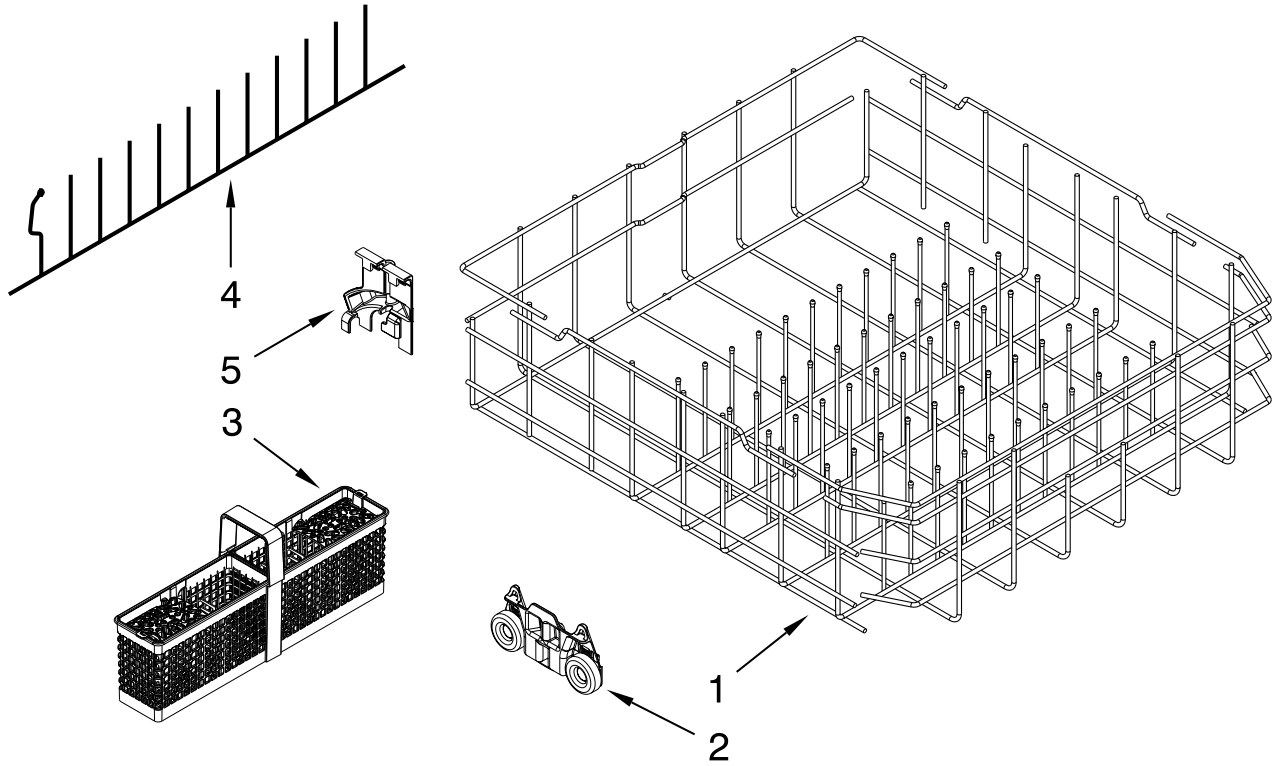
UPPER RACK AND TRACK PARTS

For Models: KUDL15FXBL5, KUDL15FXWH5, KUDL15FXSS5
(Black) (White) (Stainless)

Illus.	Part	
No.	No.	DESCRIPTION
1	W10312791	Dishrack, Upper
2	W10195336	Mount, Wheel Fixed, 2-Position
3	8562030	Tine Row, Fold-Down
4	W10082853	Clip, Pivot
5	8539102	Positioner, Dual
6	W10082649	Cup, Shelf
7	W10267076	Clip, Dispenser Guard
8	W10324563	Track, Assembly
9	W10282826	Handle, Dishrack
10	W10195622	Stop, Track Non-Removable

LOWER RACK PARTS

For Models: KUDL15FXBL5, KUDL15FXWH5, KUDL15FXSS5
 (Black) (White) (Stainless)



Illus. No.	Part No.	DESCRIPTION
1	W10312777	Lower Rack
2	W10195416	Wheel & Transport Assembly
3	W10195723	Basket, Silverware
4	W10056272	Tine, Row
5	W10078215	Retainer, Tine Row

FOR ORDERING INFORMATION REFER TO PARTS PRICE LIST

OPTIONAL PARTS (NOT INCLUDED)

For Models: KUDL15FXBL5, KUDL15FXWH5, KUDL15FXSS5
(Black) (White) (Stainless)

Illus. No.	Part No.	DESCRIPTION
<u>ACCESSORIES</u>		
	Side Panel Kits	
	8171656	White
	8171657	Black
	8171658	Biscuit
	8171659	Stainless Steel
	Custom Panel & Trim Kit	
	8212489	Black
	Architect II Handles	
	W10195738A	Stainless Steel
	W10195735A	Black
	W10195736A	White
	W10195737A	Biscuit
	Drain Hose	
	3385556	12 Ft.
	Vinyl Touch-Up (4oz.)	
	676453	White
	676455	Grey
	4396853	Silver Atlantis
	Moisture Barrier Kit	
	4396277	Kit

Illus. No.	Part No.	DESCRIPTION
<u>PAINT, TOUCH-UP (1/2oz.)</u>		
	72017	White
	72032	Black
	4392899	Biscuit
	4396603	Meteorite
<u>PAINT, PRESSURIZED SPRAY (12 oz.)</u>		
	350930	White
	285006	Superior Black
	4392901	Biscuit
<u>PAINT, BULK (1 qt.)</u>		
	799344	White (Uncut)
	4392900	Biscuit

Illus. No.	Part No.	DESCRIPTION
<u>POWER CORD KIT</u>		
	4317824	Power Cord Kit (Includes Power Cord & Misc. Hardware)
<u>ANTI-TIP KIT</u>		
	8171477	Floor Mount Kit
	8212560	Side Mount Kit
<u>DISHRACK REPAIR</u>		
	4396838	White
	4396840	Grey
	4396854	Silver Atlantis

Free Manuals Download Website

<http://myh66.com>

<http://usermanuals.us>

<http://www.somanuals.com>

<http://www.4manuals.cc>

<http://www.manual-lib.com>

<http://www.404manual.com>

<http://www.luxmanual.com>

<http://aubethermostatmanual.com>

Golf course search by state

<http://golfingnear.com>

Email search by domain

<http://emailbydomain.com>

Auto manuals search

<http://auto.somanuals.com>

TV manuals search

<http://tv.somanuals.com>