

KOHLER® 7000 Series

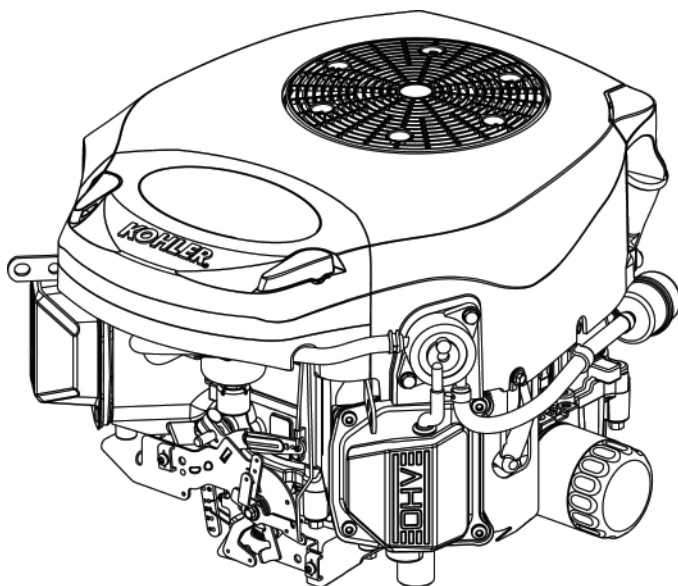
KT715-KT745

Owner's Manual

EN

ESS

FRC



IMPORTANT: Read all safety precautions and instructions carefully before operating equipment. Refer to operating instruction of equipment that this engine powers.

Ensure engine is stopped and level before performing any maintenance or service.

Warranty coverage as outlined in the warranty card and on KohlerEngines.com. Please review carefully as it provides you specific rights and obligations.

To maintain compliance with applicable emission regulations, exhaust system backpressure may not exceed limits which can be found on KohlerEngines.com. Search by Model No., select Read More, then select Specs tab.

Record engine information to reference when ordering parts or obtaining warranty coverage.

Engine Model _____

Specification _____

Serial Number _____


Purchase Date _____


Safety Precautions


⚠ WARNING: A hazard that could result in death, serious injury, or substantial property damage.


⚠ CAUTION: A hazard that could result in minor personal injury or property damage.


NOTE: is used to notify people of important installation, operation, or maintenance information.


	<p>⚠ WARNING</p> <p>Explosive Fuel can cause fires and severe burns.</p> <p>Do not fill fuel tank while engine is hot or running.</p>
	<p>Gasoline is extremely flammable and its vapors can explode if ignited. Store gasoline only in approved containers, in well ventilated, unoccupied buildings, away from sparks or flames. Spilled fuel could ignite if it comes in contact with hot parts or sparks from ignition. Never use gasoline as a cleaning agent.</p>

	<p>⚠ WARNING</p> <p>Carbon Monoxide can cause severe nausea, fainting or death.</p> <p>Avoid inhaling exhaust fumes.</p>
	<p>Engine exhaust gases contain poisonous carbon monoxide. Carbon monoxide is odorless, colorless, and can cause death if inhaled.</p>

	<p>⚠ WARNING</p> <p>Accidental Starts can cause severe injury or death.</p> <p>Disconnect and ground spark plug lead(s) before servicing.</p>
	<p>Before working on engine or equipment, disable engine as follows: 1) Disconnect spark plug lead(s). 2) Disconnect negative (-) battery cable from battery.</p>

	<p>⚠ WARNING</p> <p>Rotating Parts can cause severe injury.</p> <p>Stay away while engine is in operation.</p>
	<p>Keep hands, feet, hair, and clothing away from all moving parts to prevent injury. Never operate engine with covers, shrouds, or guards removed.</p>

	<p>⚠ CAUTION</p> <p>Electrical Shock can cause injury.</p> <p>Do not touch wires while engine is running.</p>
---	--

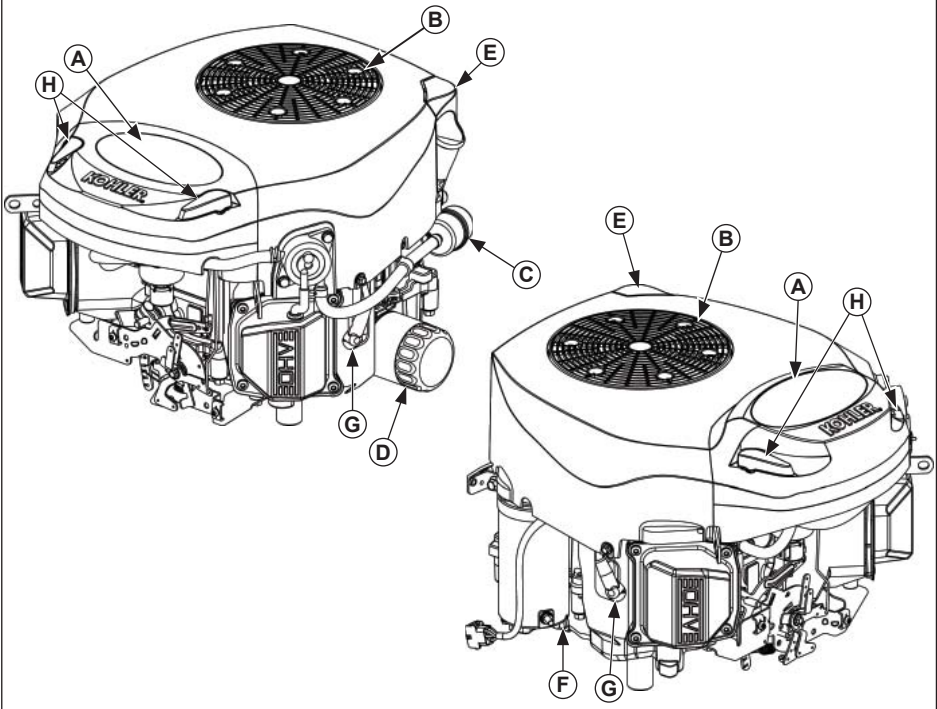
	<p>⚠ WARNING</p> <p>Hot Parts can cause severe burns.</p> <p>Do not touch engine while operating or just after stopping.</p>
	<p>Never operate engine with heat shields or guards removed.</p>

California Proposition 65 Warning

Engine exhaust from this product contains chemicals known to State of California to cause cancer, birth defects, or other reproductive harm.

California Proposition 65 Warning

This product contains chemicals known to State of California to cause cancer, birth defects, or other reproductive harm.



A	Air Cleaner Cover	B	Debris Screen	C	Fuel Filter	D	Oil Filter
E	Oil Fill/Dipstick	F	Oil Drain Plug	G	Spark Plug	H	Air Cleaner Cover Lever

Visit KohlerEngines.com for service parts information and purchasing options.

Pre-Start Checklist

1. Check oil level. Add oil if low. Do not overfill.
2. Check fuel level. Add fuel if low. Check fuel system components and lines for leaks.
3. Check and clean cooling areas, air intake areas and external surfaces of engine (particularly after storage).
4. Check that air cleaner components and all shrouds, equipment covers, and guards are in place and securely fastened.
5. Check spark arrestor (if equipped).

Starting



! WARNING

Carbon Monoxide can cause severe nausea, fainting or death. Avoid inhaling exhaust fumes.

Engine exhaust gases contain poisonous carbon monoxide. Carbon monoxide is odorless, colorless, and can cause death if inhaled.



! WARNING

Rotating Parts can cause severe injury. Stay away while engine is in operation.

Keep hands, feet, hair, and clothing away from all moving parts to prevent injury. Never operate engine with covers, shrouds, or guards removed.

Standard Choke System

• Above 32°F (0°C)

Refer to operating instructions of equipment this engine powers for specific starting instructions.

• 32°F (0°C) and Below

1. Refer to operating instructions of equipment this engine powers for specific starting instructions.
2. Refer to Cold Weather Starting Hints within this manual.

Smart-Choke™

• Above 32°F (0°C)

1. This feature will automatically adjust engine choke on start up with throttle in any position.
2. If engine does not start on first attempt, wait 3-5 seconds and try again (if no start after third attempt wait 1 minute).
3. If engine does not consistently start by fifth attempt, consult Kohler authorized dealer for assistance.

• 32°F (0°C) and Below

1. This feature will automatically adjust engine choke on start up with throttle in any position (winter blend fuel is recommended).
2. If engine does not start on first attempt, wait 5-10 seconds and try again (if no start after third attempt wait 1 minute).
3. If engine does not consistently start by fifth attempt, consult Kohler authorized dealer for assistance.

eChoke™

• Above 32°F (0°C)

1. This feature will automatically make system adjustments to engine on start up with throttle in any position.
2. If engine does not start on first attempt, wait 3-5 seconds and try again (if no start after third attempt wait 1 minute).
3. If engine does not start consistently by fifth attempt, turn key to OFF, pause briefly, and make another attempt. If engine does not start, consult Kohler authorized dealer for assistance.

• 32°F (0°C) and Below

1. This feature will automatically make system adjustments to engine on start up with throttle in any position (winter blend fuel is recommended).
2. If engine does not start on first attempt, wait 3-5 seconds and try again (if no start after third attempt wait 1 minute).
3. If engine does not start consistently by fifth attempt, turn key to OFF, pause briefly, and make another attempt. If engine does not start, consult Kohler authorized dealer for assistance.

Cold Weather Starting Hints

1. Use proper oil for temperature expected.
2. Disengage all possible external loads.
3. Use fresh winter grade fuel. Winter grade fuel has higher volatility to improve starting.
4. Make sure battery has a full charge.

Stopping

1. If possible, remove load by disengaging all PTO driven attachments.
2. Position throttle control between half and full throttle; stop engine.
3. Do not allow engine/application to be left unattended with key ON (RUN position) for long periods. If left in such a condition, operator must turn key completely OFF before attempting a restart to reset system.

Angle of Operation

Refer to operating instructions of equipment this engine powers. Do not operate this engine exceeding maximum angle of operation; see specification table. Engine damage could result from insufficient lubrication.

Engine Speed


NOTE: Do not tamper with governor setting to increase maximum engine speed. Overspeed is hazardous and will void warranty.

High Altitude Operation

This engine may require a high altitude carburetor kit to ensure correct engine operation at altitudes above 4000 ft. (1219 meters). To obtain high altitude kit information or to find a Kohler authorized dealer visit KohlerEngines.com or call 1-800-544-2444 (U.S. and Canada).

This engine should be operated in its original configuration below 4000 ft. (1219 meters) as damage may occur if high altitude carburetor kit is installed and operated below 4000 ft. (1219 meters).

Maintenance Instructions

	<p>WARNING</p> <p>Accidental Starts can cause severe injury or death. Disconnect and ground spark plug lead(s) before servicing.</p>	<p>Before working on engine or equipment, disable engine as follows: 1) Disconnect spark plug lead(s). 2) Disconnect negative (-) battery cable from battery.</p>
---	---	---

Normal maintenance, replacement or repair of emission control devices and systems may be performed by any repair establishment or individual; however, warranty repairs must be performed by a Kohler authorized dealer found at KohlerEngines.com or 1-800-544-2444 (U.S. and Canada).

Maintenance Schedule

Every 25 Hours¹

- Service/replace precleaner.
- Replace air cleaner element (if not equipped with precleaner).

Every 100 Hours¹

- Replace air cleaner element (if equipped with precleaner).
- Change oil and filter.
- Remove cooling shrouds and clean cooling areas.

Every 100 Hours

- Check that all fasteners are in place and components are properly secured.
- Replace fuel filter.

Every 500 Hours²

- Have valve lash checked/adjusted.

Every 500 Hours

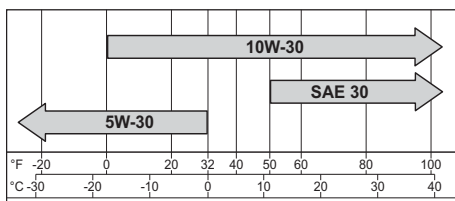
- Replace spark plugs and set gap.

¹ Perform these procedures more frequently under severe, dusty, dirty conditions.

² Have a Kohler authorized dealer perform this service.

Oil Recommendations

We recommend use of Kohler oils for best performance. Other high-quality detergent oils (including synthetic) of API (American Petroleum Institute) service class SJ or higher are acceptable. Select viscosity based on air temperature at time of operation as shown in table below.



Check Oil Level

NOTE: To prevent extensive engine wear or damage, never run engine with oil level below or above operating range indicator on dipstick.

Ensure engine is cool. Clean oil fill/dipstick areas of any debris.

1. Remove dipstick; wipe oil off.
2. Reinsert dipstick into tube; press completely down.
3. Remove dipstick; check oil level. Level should be at top of indicator on dipstick.
4. If oil is low on indicator, add oil up to top of indicator mark.
5. Reinstall and secure dipstick.

Change Oil and Filter


Change oil while engine is warm.

1. Clean area around oil fill cap/dipstick. Remove drain plug and oil fill cap/dipstick. Allow oil to drain completely.
2. Clean area around oil filter. Place a container under filter to catch any oil and remove filter. Wipe off mounting surface. Reinstall drain plug. Torque to 10 ft. lb. (13.6 N·m).
3. Place new filter in shallow pan with open end up. Fill with new oil until oil reaches bottom of threads. Allow 2 minutes for oil to be absorbed by filter material.
4. Apply a thin film of clean oil to rubber gasket on new filter.
5. Refer to instructions on oil filter for proper installation.
6. Fill crankcase with new oil. Level should be at top of indicator on dipstick.
7. Reinstall oil fill cap/dipstick and tighten securely.
8. Start engine; check for oil leaks. Stop engine; correct leaks. Recheck oil level.
9. Dispose of used oil and filter in accordance with local ordinances.

Oil Sentry™ (if equipped)

This switch is designed to prevent engine from starting in a low oil or no oil condition. Oil Sentry™ may not shut down a running engine before damage occurs. In some applications this switch may activate a warning signal. Read your equipment manuals for more information.

Fuel Recommendations

	WARNING
	Explosive Fuel can cause fires and severe burns. Do not fill fuel tank while engine is hot or running.
Gasoline is extremely flammable and its vapors can explode if ignited. Store gasoline only in approved containers, in well ventilated, unoccupied buildings, away from sparks or flames. Spilled fuel could ignite if it comes in contact with hot parts or sparks from ignition. Never use gasoline as a cleaning agent.	

NOTE: E15, E20 and E85 are NOT approved and should NOT be used; effects of old, stale or contaminated fuel are not warrantable.

Fuel must meet these requirements:

- Clean, fresh, unleaded gasoline.
- Octane rating of 87 (R+M)/2 or higher.
- Research Octane Number (RON) 90 octane minimum.
- Gasoline up to 10% ethyl alcohol, 90% unleaded is acceptable.
- Methyl Tertiary Butyl Ether (MTBE) and unleaded gasoline blend (max 15% MTBE by volume) are approved.
- Do not add oil to gasoline.
- Do not overfill fuel tank.
- Do not use gasoline older than 30 days.

Fuel Line

Low permeation fuel line must be installed on carbureted Kohler Co. engines to maintain EPA and CARB regulatory compliance.

Spark Plugs



CAUTION

Electrical Shock can cause injury.
Do not touch wires while engine is running.

Clean out spark plug recess. Remove plug and replace.

1. Check gap using wire feeler gauge. Adjust gap, see specification table for adjustment.
2. Install plug into cylinder head.
3. Torque plug to 20 ft. lb. (27 N·m).

Air Cleaner

NOTE: Operating engine with loose or damaged air cleaner components could cause premature wear and failure. Replace all bent or damaged components.

NOTE: Paper element cannot be blown out with compressed air.

Rotate air cleaner cover levers outward to unlock cover; remove air cleaner cover.

Precleaner (if equipped):

1. Remove precleaner from paper element.
2. Replace or wash precleaner in warm water with detergent. Rinse and allow to air dry.
3. Lightly oil precleaner with new engine oil; squeeze out excess oil.
4. Reinstall precleaner over paper element.

Paper Element:

1. Remove element from base; service precleaner. Discard element.
2. Install precleaner over new paper element and install on base.

Position air cleaner cover with levers outward over air cleaner; turn levers inward to lock.

Breather Tube

Ensure both ends of breather tube are properly connected.

Air Cooling



WARNING

Hot Parts can cause severe burns.

Do not touch engine while operating or just after stopping.

Never operate engine with heat shields or guards removed.

Proper cooling is essential. To prevent over heating, clean screens, cooling fins, and other external surfaces of engine. Avoid spraying water at wiring harness or any electrical components. See Maintenance Schedule.

Repairs/Service Parts

We recommend that you use a Kohler authorized dealer for all maintenance, service, and engine parts. To find a Kohler authorized dealer visit KohlerEngines.com or call 1-800-544-2444 (U.S. and Canada).

Storage

If engine will be out of service for 2 months or more follow procedure below.

1. Add Kohler PRO Series fuel treatment or equivalent to fuel tank. Run engine 2-3 minutes to get stabilized fuel into fuel system (failure due to untreated fuel are not warrantable).
2. Change oil while engine is still warm from operation. Remove spark plug(s) and pour about 1 oz. of engine oil into cylinder(s). Replace spark plug(s) and crank engine slowly to distribute oil.
3. Disconnect negative (-) battery cable.
4. Store engine in a clean, dry place.

Troubleshooting

Do not attempt to service or replace major engine components, or any items that require special timing or adjustment procedures. This work should be performed by a Kohler authorized dealer.

Problem	Possible Cause							
	No Fuel	Improper Fuel	Dirt In Fuel Line	Dirty Debris Screen	Incorrect Oil Level	Engine Overloaded	Dirty Air Cleaner	Faulty Spark Plug
Will Not Start	•	•	•		•	•	•	•
Hard Starting		•	•		•	•	•	•
Stops Suddenly	•		•	•	•	•	•	•
Lacks Power		•	•	•	•	•	•	•
Operates Erratically		•	•	•		•	•	•
Knocks or Pings		•		•		•		•
Skips or Misfires		•	•	•			•	•
Backfires		•	•			•	•	•
Overheats		•	•	•	•	•	•	
High Fuel Consumption						•	•	•

Engine Specifications

Model	Bore	Stroke	Displacement	Oil Capacity (Refill)	Spark Plug Gap	Maximum Angle of Operation (@ full oil level)*
KT715	3.27 in. (83 mm)	2.6 in. (67 mm)	44.2 cu. in. (725 cc)	2.0 U.S. qt. (1.9 L)	0.03 in. (0.76 mm)	25°
KT725						
KT730						
KT735						
KT740						
KT745	2.7 in. (69 mm)	45.6 cu. in. (747 cc)				

*Exceeding maximum angle of operation may cause engine damage from insufficient lubrication.

Additional specification information can be found in service manual at KohlerEngines.com.

Exhaust Emission Control System for models KT715-KT745 is EM for U.S. EPA, California, and Europe.

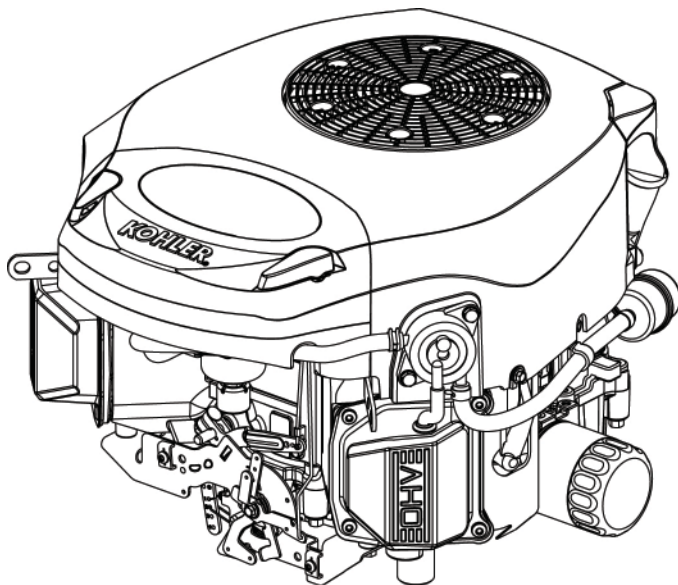
Any and all horsepower (hp) references by Kohler are Certified Power Ratings and per SAE J1940 & J1995 hp standards. Details on Certified Power Ratings can be found at KohlerEngines.com.

KOHLER® 7000 Series

ESS

KT715-KT745

Manual del usuario



IMPORTANTE: Lea atentamente todas las instrucciones y precauciones de seguridad antes de poner el equipo en funcionamiento. Consulte las instrucciones de funcionamiento del equipo impulsado por este motor.

Asegúrese de que el motor está parado y nivelado antes de realizar tareas de mantenimiento o reparación.

La cobertura de la garantía se indica en la tarjeta de la garantía y en KohlerEngines.com. Léala atentamente, ya que le confiere obligaciones y derechos específicos.

Registre la información del motor con el fin de consultarla para realizar pedidos de piezas o para obtener la cobertura de la garantía.

Modelo de motor _____

Especificación _____

Número de serie _____


Fecha de compra _____


Precauciones de seguridad

⚠ ADVERTENCIA: Un peligro que podría provocar la muerte, lesiones graves o daños materiales considerables.

⚠ PRECAUCIÓN: Un peligro que podría provocar lesiones personales o daños materiales de poca gravedad.

NOTA: Se utiliza para notificar al personal sobre información importante para la instalación, el funcionamiento o el mantenimiento.

	<p>⚠ ADVERTENCIA</p> <p>La explosión del carburante puede provocar incendios y quemaduras graves.</p> <p>No llene el tanque de combustible con el motor en funcionamiento o caliente.</p>
	<p>La gasolina es muy inflamable y sus vapores pueden hacer explosión si se inflaman. Almacene la gasolina siempre en contenedores homologados, bien ventilados y lejos de chispas o llamas. El combustible derramado podría inflamarse si entra en contacto con las piezas calientes del motor o las chispas de encendido. No utilice nunca gasolina como agente de limpieza.</p>

	<p>⚠ ADVERTENCIA</p> <p>El monóxido de carbono puede provocar náuseas, mareos o la muerte.</p> <p>Evite inhalar los humos de escape.</p>
	<p>Los gases de escape del motor contienen monóxido de carbono venenoso. El monóxido de carbono es inodoro, incoloro y puede causar la muerte si se inhala.</p>

	<p>⚠ ADVERTENCIA</p> <p>Los arranques accidentales pueden provocar lesiones graves o la muerte.</p> <p>Antes de llevar a cabo trabajos de mantenimiento o reparación, desconecte y aisle el cable de la bujía.</p>
	<p>Antes de realizar cualquier trabajo en el motor o en el equipo, desactive el motor como se indica a continuación: 1) Desconecte los cables de las bujías. 2) Desconecte el cable del polo negativo (-) de la batería.</p>

	<p>⚠ ADVERTENCIA</p> <p>Las piezas rotatorias pueden causar lesiones graves.</p> <p>Manténgase alejado del motor cuando esté en funcionamiento.</p>
	<p>Para evitar lesiones, mantenga las manos, los pies, el pelo y la ropa alejados de las piezas en movimiento. No ponga nunca el motor en funcionamiento con las cubiertas, revestimientos térmicos o protecciones desmontados.</p>

	<p>⚠ PRECAUCIÓN</p> <p>Las descargas eléctricas pueden provocar lesiones.</p> <p>No toque los cables con el motor en funcionamiento.</p>
---	---

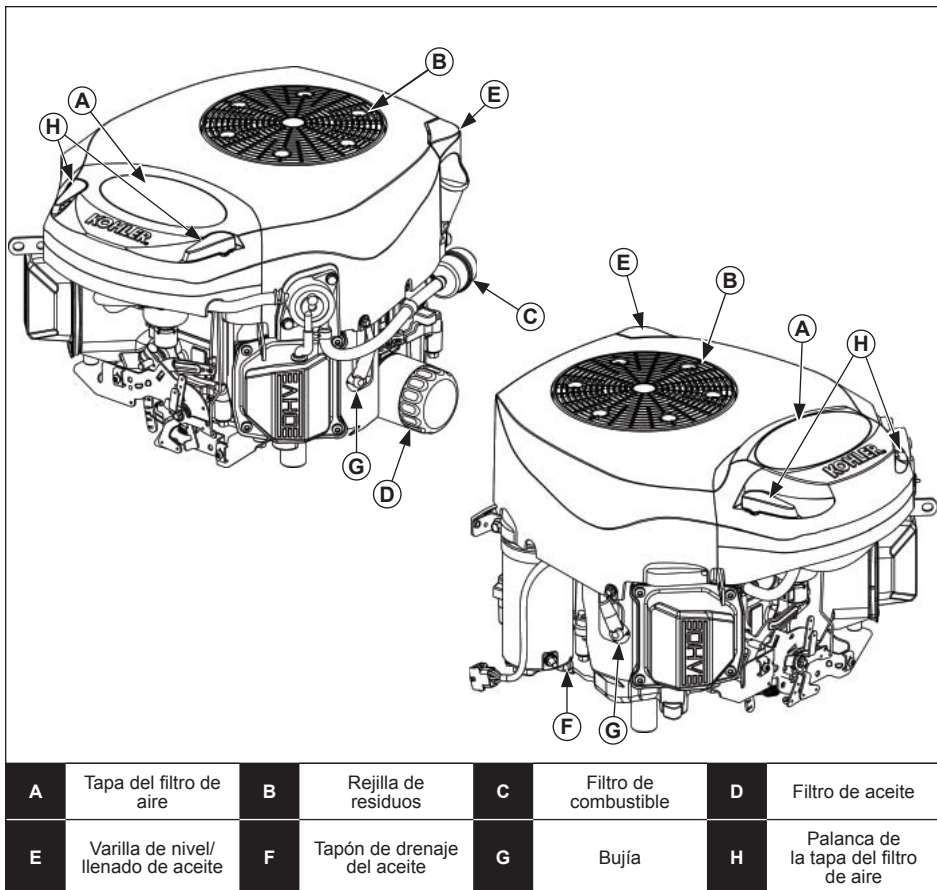
	<p>⚠ ADVERTENCIA</p> <p>Las piezas calientes pueden causar quemaduras graves.</p> <p>No toque el motor durante el funcionamiento o inmediatamente después de pararse.</p>
	<p>No ponga nunca el motor en funcionamiento con las protecciones térmicas desmontadas.</p>

Advertencia: la Propuesta 65 de California

El escape de motor de este producto contiene sustancias químicas identificadas por el Estado de California como causantes de cáncer, defectos de nacimiento u otros daños genéticos.

Advertencia: la Propuesta 65 de California

Este producto contiene sustancias químicas identificadas por el Estado de California como causantes de cáncer, defectos de nacimiento u otros daños genéticos.





A	Tapa del filtro de aire	B	Rejilla de residuos	C	Filtro de combustible	D	Filtro de aceite
E	Varilla de nivel/llenado de aceite	F	Tapón de drenaje del aceite	G	Bujía	H	Palanca de la tapa del filtro de aire

Visite KohlerEngines.com para obtener información de las piezas de recambio y las opciones de compra.

Lista de control previa al arranque

1. Comprobar el nivel de aceite. Añada aceite si está bajo. No rellene por encima del límite.
2. Compruebe el nivel de combustible. Añada combustible si está bajo. Compruebe si los componentes y las tuberías del sistema de combustible presentan alguna fuga.
3. Verificar y limpiar las zonas de refrigeración, las zonas de admisión de aire y las superficies externas del motor (especialmente después del almacenaje).
4. Verificar que los componentes del filtro de aire y todos los recubrimientos, cubiertas de equipos y protecciones están en su sitio y bien sujetas.
5. Comprobar el parachispas (si está incluido).

Arranque

	 ADVERTENCIA
El monóxido de carbono puede provocar náuseas, mareos o la muerte. Evite inhalar los humos de escape.	
Los gases de escape del motor contienen monóxido de carbono venenoso. El monóxido de carbono es inodoro, incoloro y puede causar la muerte si se inhala.	

	 ADVERTENCIA
Las piezas rotatorias pueden causar lesiones graves. Manténgase alejado del motor cuando esté en funcionamiento.	
Para evitar lesiones, mantenga las manos, los pies, el pelo y la ropa alejados de las piezas en movimiento. No ponga nunca el motor en funcionamiento con las cubiertas, revestimientos térmicos o protecciones desmontados.	

Sistema de ahogador estándar

• Más de 32°F (0°C)

Consulte las instrucciones de funcionamiento del equipo impulsado por este motor para obtener las instrucciones específicas del arranque.

• 32°F (0°C) y menos

1. Consulte las instrucciones de funcionamiento del equipo impulsado por este motor para obtener las instrucciones específicas del arranque.
2. Dentro de este manual puede consultar las sugerencias de arranque en climas fríos.

Smart-Choke™

• Más de 32°F (0°C)

1. Esta función ajustará el ahogador del motor de forma automática durante el arranque con el acelerador en cualquier posición.
2. Si el motor no arranca al primer intento, espere de 3 a 5 segundos e intente de nuevo (si no arranca después del tercer intento, espere un minuto).
3. Si el motor no arranca de forma consistente al quinto intento, consulte a un distribuidor autorizado de Kohler para que le brinde asistencia.

• 32°F (0°C) y menos

1. Esta función hará ajustes de sistema al motor automáticamente durante el arranque con el acelerador en cualquier posición (se recomienda aplicar mezcla de combustible para invierno).
2. Si el motor no arranca al primer intento, espere de 3 a 5 segundos e intente de nuevo (si no arranca después del tercer intento, espere un minuto).
3. Si el motor no arranca de forma consistente al quinto intento, consulte a un distribuidor autorizado de Kohler para que le brinde asistencia.

eChoke™

• Más de 32°F (0°C)

1. Esta función hará ajustes de sistema al motor automáticamente durante el arranque con el acelerador en cualquier posición.
2. Si el motor no arranca al primer intento, espere de 3 a 5 segundos e intente de nuevo (si no arranca después del tercer intento, espere un minuto).
3. Si el motor no arranca de forma consistente al quinto intento, coloque la llave en OFF, espere un momento y vuelva a intentar. Si aún así el motor no arranca, póngase en contacto con un distribuidor autorizado de Kohler para que le brinde asistencia.

• 32°F (0°C) y menos

1. Esta función hará ajustes de sistema al motor automáticamente durante el arranque con el acelerador en cualquier posición (se recomienda aplicar anticongelante).
2. Si el motor no arranca al primer intento, espere de 3 a 5 segundos e intente de nuevo (si no arranca después del tercer intento, espere un minuto).
3. Si el motor no arranca de forma consistente al quinto intento, coloque la llave en OFF, espere un momento y vuelva a intentar. Si aún así el motor no arranca, póngase en contacto con un distribuidor autorizado de Kohler para que le brinde asistencia.

Consejos para el arranque en tiempo frío

1. Utilice el aceite apropiado para la temperatura prevista.
2. Desconecte todas las posibles cargas externas.
3. Use combustible de grado invierno reciente. El combustible de grado invierno tiene una mayor volatilidad que mejora el arranque.
4. Asegúrese de que la batería esté totalmente cargada.

Parada

1. Si es posible, retire la carga desacoplando todos los accesorios accionados por la TDF.
2. Coloque el control del acelerador entre en la posición media o máxima de aceleración, detenga el motor.
3. No permita que el motor/la aplicación se quede sin atención con la llave en ON (encendido) por tiempo prolongado. Si los deja así, el operador debe colocar la llave totalmente en OFF (apagado) antes de que intente reiniciar el sistema.

Ángulo de funcionamiento

Consulte las instrucciones de funcionamiento del equipo impulsado por este motor. No haga funcionar el motor si supera el ángulo máximo de funcionamiento, consulte la tabla de especificaciones. El motor puede dañarse como resultado de una lubricación insuficiente.

Velocidad del motor

NOTA: No altere los ajustes del regulador para aumentar la velocidad máxima del motor. El exceso de velocidad es peligroso y anulará la garantía.



Funcionamiento a gran altitud

Este motor puede requerir un kit de carburador de gran altitud para garantizar un funcionamiento correcto del motor a altitudes superiores a 1.219 metros (4.000 pies). Para obtener información sobre el kit de gran altitud o encontrar a un distribuidor autorizado de Kohler, visite KohlerEngines.com o llame al 1-800-544-2444 (EE.UU. y Canadá).

ESS

Este motor debe ponerse en funcionamiento en su configuración original por debajo de los 1.219 metros (4.000 pies), pues pueden producirse daños si se instala y pone en funcionamiento el kit de carburador de gran altitud por debajo de los 1.219 metros (4.000 pies).

Instrucciones de mantenimiento

	 ADVERTENCIA	<p>Antes de realizar cualquier trabajo en el motor o en el equipo, desactive el motor como se indica a continuación: 1) Desconecte los cables de las bujías. 2) Desconecte el cable del polo negativo (-) de la batería.</p>
	<p>Los arranques accidentales pueden provocar lesiones graves o la muerte. Antes de llevar a cabo trabajos de mantenimiento o reparación, desconecte y aisle el cable de la bujía.</p>	

El mantenimiento, sustitución o reparación normales de los sistemas y dispositivos de control de emisiones pueden ser realizados por cualquier centro de reparaciones o técnico; no obstante, las reparaciones cubiertas por la garantía solo podrá realizarlas un distribuidor autorizado de Kohler que puede encontrar en KohlerEngines.com o llamando al 1-800-544-2444 (EE.UU. o Canadá).

Programa de mantenimiento

Cada 25 horas¹

- Realice el mantenimiento/sustitución del prefiltro.
- Sustituya el elemento filtrante (si el motor no está dotado de prefiltro).

Cada 100 horas¹

- Sustituya el elemento filtrante (si el motor está dotado de prefiltro).
- Cambie el aceite y el filtro.
- Quite los revestimientos térmicos y limpie las zonas de refrigeración.

Cada 100 horas

- Compruebe que todos los tornillos están en su sitio y que todos los componentes están firmemente ajustados.
- Cambie el filtro de combustible.

Cada 500 horas²

- Compruebe y ajuste el juego de las válvulas.

Cada 500 horas

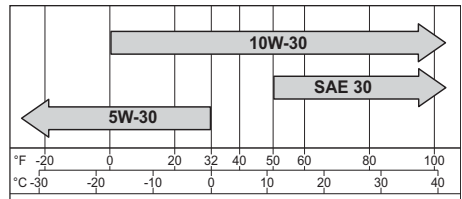
- Cambie las bujías y ajuste la separación entre electrodos.

¹ Estas operaciones de mantenimiento deberán ejecutarse con mayor frecuencia en ambientes muy polvorientos o sucios.

² Deje que un distribuidor autorizado de Kohler realice esta operación.

Recomendaciones de lubricante

Recomendamos el uso de un aceite de Kohler para obtener un mejor rendimiento. También se puede utilizar otro aceite detergente de alta calidad API (American Petroleum Institute) SJ o superior, incluidos los aceites sintéticos. Seleccione la viscosidad en función de la temperatura del aire durante el funcionamiento como se muestra en la tabla que aparece a continuación.



Comprobación del nivel de aceite

NOTA: Para evitar las averías y el desgaste excesivo del motor, nunca ponga el motor en funcionamiento con un nivel de aceite inferior o superior al indicador de nivel de funcionamiento de la varilla.

Asegúrese de que el motor esté frío. Limpie los residuos de las áreas de la varilla de nivel/llenado de aceite.

1. Extraiga la varilla de nivel; limpie el exceso de aceite.
2. Introduzca de nuevo la varilla de nivel en el tubo y presione completamente hacia abajo.
3. Saque la varilla y compruebe el nivel de aceite. El nivel debe situarse en la parte superior de la varilla de nivel.
4. Si el indicador muestra poco nivel de aceite, añada aceite hasta la parte superior de la marca del indicador.
5. Instale de nuevo y fije la varilla de nivel.

Cambio del aceite y el filtro

Cambie el aceite con el motor caliente.

1. Limpie el área que rodea el tapón de llenado/varilla de nivel. Quite el tapón de drenaje y el tapón de llenado/varilla de nivel. Deje que el aceite drene completamente.
2. Limpie el área que rodea el filtro. Coloque un envase debajo del filtro para recoger el aceite y extraiga el filtro. Limpie la superficie de montaje. Vuelva a colocar el tapón de drenaje. Aplique un par de apriete de 13,6 N·m (10 ft lb).
3. Coloque un filtro nuevo con el extremo abierto hacia arriba en una bandeja. Vierta aceite nuevo hasta que alcance la parte inferior de los tornillos. Espere 2 minutos hasta que el material del filtro absorba el aceite.
4. Aplique una película fina de aceite limpio a la junta de goma del nuevo filtro.
5. Consulte las instrucciones sobre el filtro del aceite para una instalación correcta.
6. Llene el cárter con aceite nuevo. El nivel debe situarse en la parte superior de la varilla de nivel.
7. Vuelva a colocar el tapón de llenado con varilla y apriete firmemente.
8. Arranque el motor y compruebe si hay fugas de aceite. Detenga el motor y repare las fugas. Compruebe de nuevo el nivel de aceite.
9. Deseche el aceite usado y el filtro en conformidad con las normativas locales.

Oil Sentry™ (si está incluido)

Este interruptor está diseñado para evitar que el motor arranque con poco aceite o ninguno. El Oil Sentry™ no puede apagar un motor en marcha antes de que se produzca un daño. En algunas aplicaciones este interruptor puede activar una señal de aviso. Lea los manuales de su equipo para más información.

Recomendaciones de combustible

	⚠ ADVERTENCIA
	La explosión del carburante puede provocar incendios y quemaduras graves. No llene el tanque de combustible con el motor en funcionamiento o caliente.
La gasolina es muy inflamable y sus vapores pueden hacer explosión si se inflaman. Almacene la gasolina siempre en contenedores homologados, en locales desocupados, bien ventilados y lejos de chispas o llamas. El combustible derramado podría inflamarse si entra en contacto con las piezas calientes del motor o las chispas de encendido. No utilice nunca gasolina como agente de limpieza.	

NOTA: E15, E20 y E85 are NO están autorizados y NO deben utilizarse; la garantía no cubre los efectos producidos por el uso de combustible antiguo, pasado o contaminado.


El combustible debe cumplir con los siguientes requisitos:

- Gasolina limpia, fresca y sin plomo.
- Octanaje de 87 (R+M)/2 o superior.
- El "Research Octane Number" (RON), deberá ser de 90 octanos como mínimo.
- Se autoriza el empleo de gasolina de hasta un volumen máximo del 10% de alcohol etílico y el 90% sin plomo.
- Se autorizan las mezclas de metil-ter-butil-éter (MTBE) y gasolina sin plomo (hasta un máximo del 15% de MTBE en volumen).
- No añada aceite a la gasolina.
- No llene el tanque de combustible por encima del límite.
- No utilice gasolina con más de 30 días de antigüedad.

Tubería de combustible

Debe instalar una tubería de combustible de baja permeabilidad de motores carburados de Kohler Co. para respetar las normas EPA y CARB.

Bujías

	⚠ PRECAUCIÓN
	Las descargas eléctricas pueden provocar lesiones. No toque los cables con el motor en funcionamiento.

Limpie el rebaje de la bujía. Extraiga la bujía y sustítuvala.

1. Compruebe la separación de electrodos con una galga de espesores. Para ajustar la separación, consulte la tabla de especificaciones de ajuste.
2. Coloque la bujía en el cabezal del cilindro.
3. Apriete la bujía a 27 N·m (20 ft lb).

Filtro de aire

NOTA: El funcionamiento del motor con componentes del filtro de aire sueltos o dañados puede causar daños y desgaste prematuro. Sustituya todos los componentes doblados o dañados.

NOTA: El papel filtrante no puede expulsarse con aire comprimido.

Gire las palancas de la tapa del filtro de aire hacia fuera para desbloquear la tapa y retire la tapa del filtro de aire.

Prefiltro (si está incluido):

1. Extraiga el prefiltro del papel filtrante.
2. Sustituya o lave el prefiltro con agua templada y detergente. Aclárelo y déjelo secar al aire.
3. Lubrique ligeramente el prefiltro con aceite nuevo y escurra el exceso de aceite.
4. Vuelva a colocar el prefiltro sobre el papel filtrante.

Elemento de papel:

1. Extraiga el elemento desde la base y limpie el prefiltro. Deseche el elemento.
2. Instale el prefiltro sobre el nuevo filtro de papel e instálo en la base.


Coloque la tapa del filtro de aire con las palancas hacia fuera sobre el filtro de aire y gire las palancas hacia dentro para bloquear la tapa.

Tubo del respirador

Asegúrese de que ambos extremos del respirador están conectados adecuadamente.

ESS

Refrigeración por aire

	⚠ ADVERTENCIA
	Las piezas calientes pueden causar quemaduras graves. No toque el motor durante el funcionamiento o inmediatamente después de pararse.
No ponga nunca el motor en funcionamiento con las protecciones térmicas desmontadas.	

Es esencial una refrigeración adecuada. Para evitar el sobrecalentamiento, limpie los filtros, los álabes de refrigeración y demás superficies externas del motor. Evite rociar agua al haz de cables o a cualquier componente eléctrico. Consulte el Programa de mantenimiento.

Reparaciones/Piezas de recambio

Recomendamos que utilice un distribuidor autorizado de Kohler para el mantenimiento, la reparación o las piezas del motor. Para consultar los distribuidores autorizados de Kohler, visite KohlerEngines.com o llame al 1-800-544-2444 (EE.UU. y Canadá).

Almacenamiento

Si el motor no se pone en funcionamiento durante 2 meses o más siga el procedimiento siguiente.

1. Añada el tratamiento de combustible Kohler PRO Series o equivalente al depósito de combustible. Arranque el motor durante 2-3 minutos para que el combustible se establezca en el sistema de combustible (la garantía no cubre los fallos provocados por combustible sin tratar).
2. Cambie el aceite con el motor aún caliente. Extraiga la bujía y vierta aproximadamente 28 g (1 oz) de aceite de motor en el cilindro. Sustituya la bujía y arranque el motor lentamente para distribuir el aceite.
3. Desconecte el cable de la batería de borne negativo (-).
4. Almacene el motor en un lugar limpio y seco.

Localización de averías

No intente reparar o cambiar componentes principales del motor o cualquier elemento que requiera unos procedimientos de ajuste o sincronización especiales. Este trabajo debe ser realizado por un distribuidor autorizado de Kohler.

Problema	Causa posible							
	Sin combustible	Combustible inadecuado	Suciedad en la tubería de combustible	Rejilla con residuos	Nivel de aceite incorrecto	Motor sobrecargado	Filtro de aire sucio	Bujía defectuosa
No arranca	•	•	•		•	•	•	•
Arranque con dificultad		•	•		•	•	•	•
Se para de repente	•		•	•	•	•	•	•
Le falta potencia		•	•	•	•	•	•	•
Funciona erráticamente		•	•	•		•	•	•
Golpes o sonidos metálicos		•		•		•		•
Salto o fallos de encendido		•	•	•			•	•
Detonaciones		•	•			•	•	•
Se recalienta		•	•	•	•	•	•	
Consumo de combustible elevado						•	•	•

Especificaciones del motor

Modelo	Orificio	Carrera	Desplazamiento	Capacidad de aceite (rellenado)	Abertura de bujía	Ángulo de funcionamiento máximo (con nivel máximo de aceite)*
KT715	83 mm (3,27 in)	67 mm (2,6 in)	725 cc (44,2 cu. in.)	1,9 l (2,0 U.S. qt.)	0,76 mm (0,03 in)	25°
KT725						
KT730						
KT735						
KT740						
KT745	69 mm (2,7 in)	747 cc (45,6 cu. in.)				

*Si se excede el ángulo máximo de funcionamiento puede dañarse el motor debido a lubricación insuficiente.

Puede encontrar información adicional sobre las especificaciones en el manual de servicio en KohlerEngines.com.

El sistema de control de emisiones de escape para los modelos KT715-KT745 es EM para la EPA estadounidense, California y Europa.

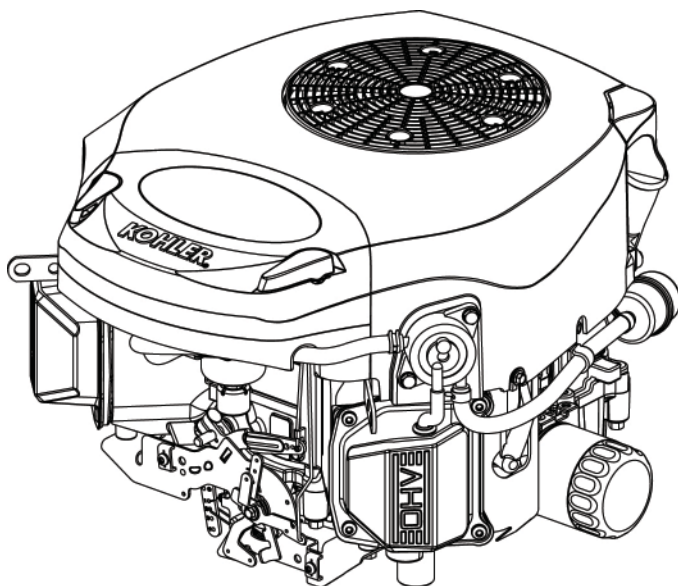
Todas las referencias de caballos (cv) de Kohler se ciñen a la Clasificación de potencia certificada y a las normas SAE J1940 y J1995 en materia de caballos. Encontrará información detallada sobre la Clasificación de potencia certificada en KohlerEngines.com.

KOHLER® 7000 Series

KT715-KT745

FRC

Manuel de l'utilisateur



IMPORTANT : Lisez toutes les consignes et précautions de sécurité avant d'utiliser le matériel. Veuillez vous reporter aux consignes d'utilisation de l'équipement alimenté par ce moteur.

Le moteur doit être arrêté et de niveau avant d'exécuter tout travail de maintenance ou d'entretien.

La garantie s'applique selon les termes précisés sur la carte de garantie et sur le site KohlerEngines.com. Veuillez vérifier correctement car il s'agit de vos droits et obligations.

Enregistrez les informations concernant le moteur pour référence lors de la commande de pièces ou de demande de couverture de garantie.

Modèle de moteur _____

Spécifications _____

Numéro de série _____


Date d'achat : _____


Consignes de sécurité


⚠ AVERTISSEMENT : Un danger pouvant entraîner la mort, de graves blessures ou des dommages matériels.


⚠ ATTENTION : Un danger pouvant entraîner des blessures légères ou des dommages matériels.

REMARQUE : Cette mention est utilisée pour attirer l'attention sur des détails importants concernant l'installation, l'utilisation ou l'entretien.

	<p>⚠ AVERTISSEMENT</p> <p>Carburant explosif pouvant causer des incendies et des brûlures graves.</p> <p>N'ajoutez pas de carburant si le moteur est chaud ou s'il tourne.</p>
<p>L'essence est très inflammable et ses vapeurs peuvent exploser si elles sont enflammées. Entreposez l'essence dans des récipients approuvés et dans des bâtiments non occupés, à l'abri des étincelles ou des flammes. Des éclaboussures de carburant peuvent s'enflammer au contact de pièces chaudes ou d'étincelles provenant de l'allumage. N'utilisez jamais d'essence comme agent nettoyant.</p>	

	<p>⚠ AVERTISSEMENT</p> <p>L'oxyde de carbone peut causer des nausées graves, des évanouissements ou même la mort.</p> <p>Évitez d'aspirer des gaz d'échappement.</p>
<p>Les gaz d'échappement du moteur contiennent du monoxyde de carbone toxique. Le monoxyde de carbone est inodore, incolore et son inhalation peut causer la mort.</p>	

	<p>⚠ AVERTISSEMENT</p> <p>Des démarrages accidentels peuvent causer des blessures graves voire mortelles.</p> <p>Débranchez le(s) câble(s) de bougie et mettez-le(s) à la masse avant l'entretien.</p>
<p>Arrêtez le moteur avant d'effectuer des travaux de réparation et d'entretien du moteur ou de l'équipement en suivant les consignes ci-dessous : 1) Débranchez le(s) câble(s) de bougie. 2) Débranchez le câble négatif (-) de batterie de la batterie.</p>	

	<p>⚠ AVERTISSEMENT</p> <p>Les pièces tournantes peuvent causer de graves blessures.</p> <p>Tenez-vous éloigné du moteur pendant qu'il fonctionne.</p>
<p>Tenez vos mains, pieds, cheveux et vêtements à l'écart de toutes les pièces mobiles pour prévenir les blessures. Ne faites jamais fonctionner le moteur si des couvercles, des enveloppes ou des protections ont été enlevés.</p>	

	<p>⚠ ATTENTION</p> <p>Les chocs électriques peuvent causer des blessures.</p> <p>Ne touchez pas aux fils pendant que le moteur tourne.</p>
---	---

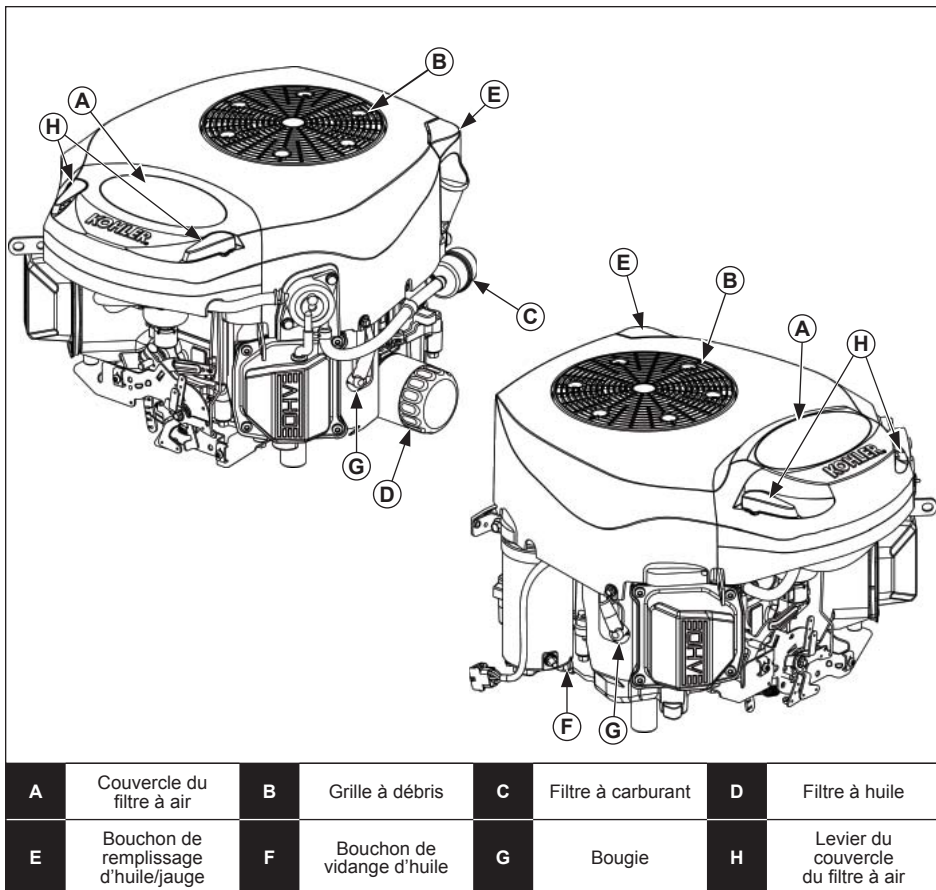
	<p>⚠ AVERTISSEMENT</p> <p>Les pièces chaudes peuvent causer de graves brûlures.</p> <p>Ne touchez pas au moteur pendant qu'il tourne ou si vous venez tout juste de l'arrêter.</p>
<p>Ne faites jamais fonctionner le moteur si des écrans thermiques ou des protections ont été enlevés.</p>	

Californie Proposition 65 Avertissement

L'échappement de moteur émanant de ce produit comprend des agents chimiques qui, selon l'Etat de Californie, sont la cause de cancers, d'anomalies congénitales, ou d'autres lésions génésiques.

Californie Proposition 65 Avertissement

Ce produit comprend des agents chimiques qui, selon l'État de Californie, sont la cause de cancers, d'anomalies congénitales ou d'autres lésions génésiques.





A	Couvercle du filtre à air	B	Grille à débris	C	Filtre à carburant	D	Filtre à huile
E	Bouchon de remplissage d'huile/jauge	F	Bouchon de vidange d'huile	G	Bougie	H	Levier du couvercle du filtre à air

Visit KohlerEngines.com pour des informations sur les pièces de service les options d'achat.

Liste de vérification à utiliser avant le démarrage

1. Vérifiez le niveau d'huile. Ajoutez de l'huile si le niveau est bas. Ne remplissez pas trop le réservoir.
2. Vérifiez le niveau de carburant. Ajoutez du carburant si le niveau est bas. Recherchez la présence de fuites sur les conduites et les composants du système d'alimentation en carburant.
3. Vérifiez et nettoyez les zones de refroidissement, les zones d'admission d'air et les surfaces externes du moteur (surtout après rangement).
4. Assurez-vous que le filtre à air et toutes les enveloppes, tous les couvercles d'équipement et toutes les protections sont en place et bien fixés.
5. Vérifiez le pare-étincelles (le cas échéant).

Démarrage

	AVERTISSEMENT
	L'oxyde de carbone peut causer des nausées graves, des évanouissements ou même la mort. Évitez d'aspirer des gaz d'échappement.
Les gaz d'échappement du moteur contiennent du monoxyde de carbone toxique. Le monoxyde de carbone est inodore, incolore et son inhalation peut causer la mort.	

	AVERTISSEMENT
	Les pièces tournantes peuvent causer de graves blessures. Tenez-vous éloigné du moteur pendant qu'il fonctionne.
Tenez vos mains, pieds, cheveux et vêtements à l'écart de toutes les pièces mobiles pour prévenir les blessures. Ne faites jamais fonctionner le moteur si des couvercles, des enveloppes ou des protections ont été enlevés.	

Système d'étranglement standard

• Au-dessus de 0 °C (32 °F)

Veillez vous reporter aux consignes d'utilisation du matériel alimenté par ce moteur.

• 0 °C (32 °F) et plus

1. Veillez vous reporter aux consignes d'utilisation du matériel alimenté par ce moteur.
2. Voir la section Conseils de démarrage par temps froid dans ce manuel.

Smart-Choke™

• Au-dessus de 0 °C (32 °F)

1. Cette option ajuste automatiquement l'étrangleur du moteur au démarrage, peu importe la position du papillon.
2. Si le moteur ne démarre pas du premier coup, attendez 3 à 5 secondes, puis essayez de nouveau (après la troisième tentative, attendez 1 minute).
3. Si après cinq tentatives, le moteur ne démarre pas correctement, demandez assistance à un concessionnaire agréé Kohler.

• 0 °C (32 °F) et plus

1. Cette option ajuste automatiquement l'étrangleur du moteur au démarrage, peu importe la position du papillon (un mélange de carburant spécial hiver est recommandé).
2. Si le moteur ne démarre pas du premier coup, attendez 5 à 10 secondes, puis essayez de nouveau (après la troisième tentative, attendez 1 minute).
3. Si après cinq tentatives, le moteur ne démarre pas correctement, demandez assistance à un concessionnaire agréé Kohler.

eChoke™

• Au-dessus de 0 °C (32 °F)

1. Cette option règle automatiquement le système au démarrage du moteur, peu importe la position du papillon.
2. Si le moteur ne démarre pas du premier coup, attendez 3 à 5 secondes, puis essayez de nouveau (après la troisième tentative, attendez 1 minute).
3. Si après cinq tentatives, le moteur ne démarre pas correctement, tournez la clé en position ARRÊT, attendez un court instant, puis essayez de redémarrer. Si le moteur ne réagit toujours pas, demandez assistance à un concessionnaire agréé Kohler.

• 0 °C (32 °F) et plus

1. Cette option règle automatiquement le système au démarrage du moteur, peu importe la position du papillon (un mélange de carburant spécial hiver est recommandé).
2. Si le moteur ne démarre pas du premier coup, attendez 3 à 5 secondes, puis essayez de nouveau (après la troisième tentative, attendez 1 minute).
3. Si après cinq tentatives, le moteur ne démarre pas correctement, tournez la clé en position ARRÊT, attendez un court instant, puis essayez de redémarrer. Si le moteur ne réagit toujours pas, demandez assistance à un concessionnaire agréé Kohler.

Conseils de démarrage par temps froid

1. Utilisez l'huile correspondant aux températures d'air prévues.
2. Éliminez toutes les charges externes.
3. Utilisez du carburant neuf destiné à une utilisation hivernale. L'essence d'hiver possède une volatilité supérieure qui facilite le démarrage.
4. Assurez-vous que la batterie est complètement chargée.

Arrêt

1. Si cela est possible, retirez la charge en débranchant tous les accessoires entraînés par la prise de mouvement.
2. Positionnez la commande de l'accélérateur entre le demi-régime et le plein régime; arrêtez ensuite le moteur.
3. Ne laissez pas trop longtemps le moteur/application sans surveillance avec le contact mis (position MARCHE). Dans ces conditions, l'opérateur doit complètement tourner la clé en position ARRÊT avant d'essayer de redémarrer pour réinitialiser le système.

Angle de fonctionnement

Veillez vous reporter aux consignes d'utilisation du matériel alimenté par ce moteur. Ne poussez pas ce moteur au maximum de ses limites. Voir le tableau des spécifications. Le moteur pourrait être endommagé en raison d'une lubrification insuffisante.

Régime du moteur

REMARQUE : Ne modifiez pas le limiteur de vitesse pour augmenter le régime maximal du moteur. La sur vitesse est dangereuse et annule la garantie.



Fonctionnement en altitude élevée

Un kit de carburateur haute altitude peut s'avérer nécessaire pour un bon fonctionnement du moteur à des altitudes supérieures à 1 219 mètres (4 000 pieds). Pour obtenir des renseignements au sujet du kit haute altitude ou pour trouver un concessionnaire autorisé Kohler, consultez le site KohlerEngines.com ou appelez le 1-800-544-2444 (États-Unis et Canada).

FRC

Ce moteur doit fonctionner selon les spécifications initiales en dessous de 1219 mètres (4000 pieds). Des dommages peuvent se produire si un kit de carburateur haute altitude est installé et utilisé à une altitude inférieure à 1219 mètres (4000 pieds).

Consignes d'entretien

	 AVERTISSEMENT	Arrêtez le moteur avant d'effectuer des travaux de réparation et d'entretien du moteur ou de l'équipement en suivant les consignes ci-dessous : 1) Débranchez le(s) câble(s) de bougie. 2) Débranchez le câble négatif (-) de batterie de la batterie.
	Des démarrages accidentels peuvent causer des blessures graves voire mortelles. Débranchez le(s) câble(s) de bougie et mettez-le(s) à la masse avant l'entretien.	

Une maintenance normale ainsi qu'un remplacement ou une réparation des dispositifs et systèmes antipollution peuvent être effectués par n'importe quels établissements ou mécaniciens; mais les réparations sous garantie doivent être effectuées par un concessionnaire agréé Kohler que vous pouvez trouver sur le site KohlerEngines.com ou en téléphonant au 1-800-544-2444 (États-unis et Canada).

Programme d'entretien

Toutes les 25 heures¹

- Faites l'entretien/remplacez le préfiltre.
- Remplacez l'élément du filtre à air (si le préfiltre n'existe pas).

Toutes les 100 heures¹

- Remplacez l'élément du filtre à air (si le préfiltre existe).
- Remplacez le filtre et l'huile.
- Déposez les enveloppes du système de refroidissement et nettoyez les zones de refroidissement.

Toutes les 100 heures

- Assurez-vous que toutes les attaches et composants sont correctement fixés.
- Remplacez le filtre à carburant.

Toutes les 500 heures²

- Faites vérifier/régler le jeu des soupapes.

Toutes les 500 heures

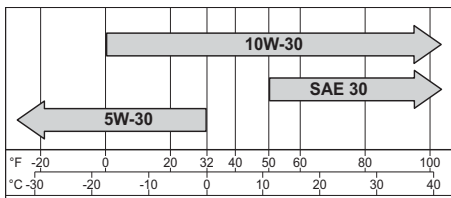
- Remplacez la bougie et réglez l'écartement.

¹ Effectuez ces procédures plus fréquemment en cas d'utilisation dans un environnement poussiéreux et sale.

² Confiez ces travaux d'entretien à un concessionnaire agréé Kohler.

Recommandations relatives à l'huile

Pour un meilleur rendement, nous recommandons les huiles Kohler. Utilisez les huiles détergentes de qualité supérieure (y compris les huiles synthétiques) de classe SJ ou supérieure de l'API. Choisissez la viscosité en fonction de la température ambiante au moment de l'utilisation, comme indiqué ci-dessous.



Contrôle du niveau d'huile

REMARQUE : Ne faites jamais tourner le moteur si le niveau d'huile est trop haut ou trop bas, ceci afin d'éviter toute usure ou endommagement du moteur.

Le moteur doit être froid. Nettoyez toutes traces de débris sur les zones du bouchon de remplissage/jauge.

1. Dévissez la jauge, essuyez-la.
2. Réinsérez la jauge dans le tube en l'enfonçant complètement.
3. Enlevez la jauge et vérifiez le niveau d'huile. Le niveau doit être en haut sur la jauge.
4. Si le niveau d'huile est bas, ajoutez de l'huile jusqu'au repère supérieur.
5. Réinstallez et serrez la jauge.

Remplacement du filtre et de l'huile


Changez l'huile pendant que le moteur est encore chaud.

1. Nettoyez la surface autour du bouchon de remplissage d'huile et de la jauge. Retirez le bouchon de vidange et le bouchon de remplissage/la jauge. Evacuez entièrement l'huile.
2. Nettoyez la surface autour du filtre à huile. Placez un récipient sous le filtre pour récupérer l'huile et retirez le filtre. Nettoyez la surface de montage. Réinstallez le bouchon de vidange. Serrez au couple de 13,6 N.m (10 pi-lb).
3. Placez un nouveau filtre dans un bac étroit avec l'extrémité ouverte vers le haut. Remplissez avec de l'huile neuve jusqu'à ce qu'elle atteigne le bas des filets. Attendez 2 minutes le temps que l'huile soit absorbée par le filtre.
4. Appliquez une mince pellicule d'huile propre sur le joint de caoutchouc du nouveau filtre.
5. Suivez les instructions relatives au filtre à huile pour une installation correcte.
6. Remplissez le carter avec de l'huile neuve. Le niveau doit être en haut sur la jauge.
7. Remettez en place le bouchon/la jauge et serrez fermement.
8. Faites démarrer le moteur et vérifiez l'absence de fuites d'huile. Coupez le moteur et rectifiez le problème de fuite. Vérifiez de nouveau le niveau d'huile.
9. Mettez au rebut l'huile et le filtre usés en respectant les réglementations locales.

Oil Sentry™ (le cas échéant)

Ce commutateur est conçu pour éviter au moteur de démarrer s'il n'y a pas d'huile ou si le niveau est bas. Le pressostat Oil Sentry™ peut ne pas couper le moteur avant que les dommages ne se produisent. Sur certaines applications, ce commutateur peut activer un signal d'avertissement. Consultez les manuels du matériel pour plus de détails.

Recommandations relatives au carburant

	AVERTISSEMENT
	Carburant explosif pouvant causer des incendies et des brûlures graves. N'ajoutez pas de carburant si le moteur est chaud ou s'il tourne.

L'essence est très inflammable et ses vapeurs peuvent exploser si elles sont enflammées. Entreposez l'essence dans des récipients approuvés et dans des bâtiments non occupés, à l'abri des étincelles ou des flammes. Des éclaboussures de carburant peuvent s'enflammer au contact de pièces chaudes ou d'étincelles provenant de l'allumage. N'utilisez jamais d'essence comme agent nettoyant.

REMARQUE : E15, E20 et E85 NE sont PAS compatibles et NE doivent PAS être utilisés. Du carburant trop vieux, périmé ou contaminé peuvent provoquer des dommages non couverts par la garantie.

Le carburant doit correspondre à ces exigences :

- Propre, neuf, sans plomb.
- Indice d'octane de 87 (R+M)/2 ou plus.
- Méthode RON (Research Octane Number), indice minimum d'octane de 90.
- L'essence contenant jusqu'à 10 % d'alcool éthylique, 90 % d'essence sans plomb est compatible.
- Les mélanges de méthyl tertiaire butyl éther (MTBE) et d'essence sans plomb (jusqu'à un maximum de 15 % de MTBE par volume) sont homologués.
- N'ajoutez pas d'huile dans l'essence.
- Ne remplissez pas trop le réservoir de carburant.
- N'utilisez pas l'essence si elle a plus de 30 jours.

Canalisation de carburant

Des conduites de carburant à faible perméation doivent être installées sur les moteurs Kohler Co. pour être en conformité avec la réglementation EPA et CARB.

Bougies

	 ATTENTION
	Les chocs électriques peuvent causer des blessures. Ne touchez pas aux fils pendant que le moteur tourne.

Nettoyez les puits de bougie. Retirez la bougie et la remplacer.

1. Vérifiez l'écartement à l'aide d'une jauge d'épaisseur. Pour ajuster l'écartement, voir le tableau des spécifications.
2. Installez la bougie sur la culasse.
3. Serrez au couple de 27 N.m (20 pi. lb).

Filtre

REMARQUE : L'utilisation du moteur avec des éléments du filtre à air détachés ou endommagés risque de provoquer une usure prématurée et des défaillances du moteur. Remplacez tous les composants tordus ou endommagés.

REMARQUE : L'élément papier ne peut pas être nettoyé à l'air comprimé.

Tournez les leviers du couvercle du filtre à air vers l'extérieur pour ouvrir le couvercle ; retirez le couvercle du filtre à air.

Préfiltre (si disponible) :

1. Séparez le préfiltre de l'élément papier.
2. Remplacez ou lavez le préfiltre dans de l'eau tiède savonneuse. Rincez, puis laissez sécher à l'air.
3. Graissez légèrement le préfiltre d'huile moteur neuve. Éliminez l'excès d'huile.
4. Réinstallez le préfiltre sur l'élément papier.

Élément en papier :

1. Retirez l'élément de la base. Remplacez le préfiltre. Mettez l'élément au rebut.
2. Installez le préfiltre sur le nouvel élément papier et sur la base.


Positionnez le couvercle du filtre à air sur le filtre à air, avec les leviers vers l'extérieur ; tournez les leviers vers l'intérieur pour verrouiller le couvercle.

Tube du reniflard

Vérifiez la connexion des deux extrémités du tube de reniflard.

Système de refroidissement par air

FRC

	AVERTISSEMENT
	Les pièces chaudes peuvent causer de graves brûlures. Ne touchez pas au moteur pendant qu'il tourne ou si vous venez tout juste de l'arrêter.

Ne faites jamais fonctionner le moteur si des écrans thermiques ou des protections ont été enlevés.

Il est essentiel d'avoir un système de refroidissement. Pour éviter une surchauffe, nettoyez les crépines, les ailettes de refroidissement et autres surfaces externes du moteur. Évitez de vaporiser de l'eau sur le faisceau de câblage ou sur un composant électrique. Voir Programme d'entretien.

Réparations/Pièces détachées

Nous vous recommandons d'utiliser les services d'un concessionnaire Kohler agréé pour tous les travaux de maintenance et d'entretien, ainsi que pour les pièces de rechange du moteur. Pour trouver un concessionnaire autorisé Kohler, consultez le site KohlerEngines.com ou appelez le 1-800-544-2444 (États-Unis et Canada).

Entreposage

Si vous ne prévoyez pas d'utiliser le moteur pendant deux mois ou plus, suivez les procédures d'entreposage suivantes :

1. Ajoutez un produit de traitement du carburant Kohler PRO Series ou similaire dans le réservoir de carburant. Faites tourner le moteur 2 à 3 minutes pour stabiliser le carburant dans le circuit (les anomalies liées à du carburant non traité ne sont pas garanties).
2. Changez l'huile pendant que le moteur est encore chaud. Retirez la ou les bougies et versez environ 1 oz d'huile moteur dans le ou les cylindres. Retirez la ou les bougies et lancez le moteur lentement pour distribuer l'huile.
3. Déconnectez le câble négatif (-) de la batterie.
4. Entreposez le moteur dans un endroit propre et sec.

Recherche de pannes

N'essayez pas de faire l'entretien ou de réparer les principaux composants du moteur, ou tout élément qui requiert un calage ou des procédures de réglage spéciaux. Ce travail doit être réalisé par un concessionnaire agréé Kohler.

Problème	Causes possibles							
	Absence de carburant	Carburant inadéquat	Impuretés dans la canalisation de carburant	Grille à débris sale	Niveau d'huile incorrect	Surcharge du moteur	Filtre à air sale	Bougies défectueuses
Ne démarre pas	•	•	•		•	•	•	•
Démarrage difficile		•	•		•	•	•	•
Cesse subitement de fonctionner	•		•	•	•	•	•	•
Manque de puissance		•	•	•	•	•	•	•
Fonctionne de manière erratique		•	•	•		•	•	•
Cogne ou produit des détonations		•		•		•		•
S'étouffe momentanément ou a des ratés		•	•	•			•	•
Produit des retours de flammes		•	•			•	•	•
Surchauffe		•	•	•	•	•	•	•
Consommation trop élevée						•	•	•

Spécifications du moteur

Modèle	Alésage	Course	Cylindrée	Capacité d'huile (remplissage)	Écartement	Angle d'opération maximal (à plein niveau d'huile)*
KT715	3,27 po (83 mm)	2,6 po (67 mm)	44,2 cu. po (725 cm ³)	2,0 pinte américaine (1,9 L)	0,03 po (0.76 mm)	25°
KT725						
KT730						
KT735						
KT740						
KT745	2,7 po (69 mm)	45,6 cu. po (747 cm ³)				

*Un angle de fonctionnement trop important peut causer des dommages du moteur liés à un manque de lubrification.

Plus de détails concernant les spécifications sont donnés dans le manuel d'entretien sur le site KohlerEngines.com.

Le système antipollution de l'échappement pour les modèles KT715-KT745 est EM pour U.S. EPA, Californie et Europe.

Toutes les références de puissance (cv) de Kohler sont des valeurs nominales certifiées et correspondent aux normes de puissance SAE J1940 & J1995. Les détails concernant les valeurs nominales de puissance certifiées sont donnés sur le site KohlerEngines.com.

Free Manuals Download Website

<http://myh66.com>

<http://usermanuals.us>

<http://www.somanuals.com>

<http://www.4manuals.cc>

<http://www.manual-lib.com>

<http://www.404manual.com>

<http://www.luxmanual.com>

<http://aubethermostatmanual.com>

Golf course search by state

<http://golfingnear.com>

Email search by domain

<http://emailbydomain.com>

Auto manuals search

<http://auto.somanuals.com>

TV manuals search

<http://tv.somanuals.com>