

**Lenovo**

**ThinkCentre**

ThinkCentre T1024Gen4

User Guide

Machine Types: 11GD

**Think**

# **Product numbers**

A20TIO24

11GD-PAR1-WW

First Edition (January 2020)

© Copyright Lenovo 2020.

LENOVO products, data, computer software, and services have been developed exclusively at private expense and are sold to governmental entities as commercial items as defined by 48 C.F.R. 2.101 with limited and restricted rights to use, reproduction and disclosure.

**LIMITED AND RESTRICTED RIGHTS NOTICE:** If products, data, computer software, or services are delivered pursuant a General Services Administration "GSA" contract, use, reproduction, or disclosure is subject to restrictions set forth in Contract No. GS-35F-05925.

---

# Contents

<b>Safety information</b> .....	<b>iii</b>
General Safety guidelines .....	iii
TCO Information .....	iv
<b>Chapter 1. Getting started</b> .....	<b>1-1</b>
Shipping contents .....	1-1
Locating connectors and controls on your monitor .....	1-5
Front view .....	1-5
Rear view .....	1-5
Setting up your monitor .....	1-6
Assembling your monitor .....	1-6
Connecting cables .....	1-10
Turning on your monitor and computer .....	1-13
<b>Chapter 2. Adjusting and using your monitor</b> .....	<b>2-1</b>
Adjusting the full-function monitor stand .....	2-1
Camera Swivel .....	2-3
Speakers .....	2-4
Wall Mounting (Optional) .....	2-5
Installing the monitor driver .....	2-5
Comfort and accessibility .....	2-6
Arranging your work area .....	2-6
Positioning and viewing your monitor: .....	2-6
Quick tips for healthy work habits .....	2-7
Accessibility information .....	2-7
Adjusting your monitor image .....	2-8
Using the user controls .....	2-8
Using the OSD controls .....	2-8
Using the USB connectors .....	2-10
Wake on the System and Display .....	2-13
Selecting a supported display mode .....	2-14
Understanding power management .....	2-15
Caring for your monitor .....	2-16
<b>Chapter 3. Reference information</b> .....	<b>3-1</b>
Disassembling your monitor .....	3-1
Monitor specifications .....	3-4
Troubleshooting .....	3-6
Manually installing the monitor driver .....	3-8
Installing the monitor driver in Windows 7 .....	3-8
Installing the monitor driver in Windows 10 .....	3-9
Getting further help .....	3-9
Service information .....	3-10
Product numbers .....	3-10
Getting further help .....	3-10
Service parts .....	3-11
<b>Appendix A. Service and Support</b> .....	<b>A-1</b>
Registering your option .....	A-1
Online technical support .....	A-1
Telephone technical support .....	A-1
<b>Appendix B. Notices</b> .....	<b>B-1</b>
Recycling information .....	B-2
Disposing of Lenovo computer components .....	B-2
Turkish statement of compliance .....	B-3
Trademarks .....	B-3
Power cords and power adapters .....	B-3

---

# Safety information

---

## General Safety guidelines

---

For tips to help you use your computer safely, go to:

<http://www.lenovo.com/safety>

Before installing this product, read the Safety Information.

Avant d'installer ce produit, lisez les consignes de sécurité.

Vor der Installation dieses Produkts die Sicherheitshinweise lesen.

Πριν εγκαταστήσετε το προϊόν αυτό, διαβάστε τις πληροφορίες ασφάλειας (safety information).

לפני שתתקינו מוצר זה, קראו את הוראות הבטיחות.

A termék telepítése előtt olvassa el a Biztonsági előírásokat!

Prima di installare questo prodotto, leggere le Informazioni sulla Sicurezza

Antes de instalar este produto, leia as Informações de Segurança.

Läs säkerhetsinformationen innan du installerar den här produkten.

Prije instalacije ovog produkta obavezno pročitajte Sigurnosne Upute.

Les sikkerhetsinformasjonen (Safety Information) før du installerer dette produktet.

Przed zainstalowaniem tego produktu, należy zapoznać się z książką "Informacje dotyczące bezpieczeństwa" (Safety Information).

Пред да се инсталира овој продукт, прочитајте информацијата за безбедност.

Pred inštaláciou tohto zariadenia si peèítajte Bezpeènostné predpisy.

Pred namestitvijo tega proizvoda preberite Varnostne informacije.

Ennen kuin asennat t m n tuotteen, lue turvaohjeet kohdasta Safety Information.

Před instalac tohoto produktu si přeètète p ř í u c k u bezpečnostn ě h instrukcí

在安装本产品之前，请仔细阅读 Safety Information (安全信息)。

安裝本產品之前，請先閱讀「安全資訊」。

الرجاء قراءة معلومات السلامة قبل تركيب هذا المنتج.

Læs sikkerhedsforskrifterne, før du installerer dette produkt.

製品の設置の前に、安全情報をお読みください。

본 제품을 설치하기 전에 안전 정보를 읽으십시오.

Antes de instalar este producto lea la información de seguridad.

Antes de instalar este produto, leia as Informações de Segurança.

Перед установкой продукта прочтите инструкции по технике безопасности.

Lees voordat u dit product installeert eerst de veiligheidsvoorschriften.

**Note:** This equipment is not suitable for use in locations where children are likely to be present.

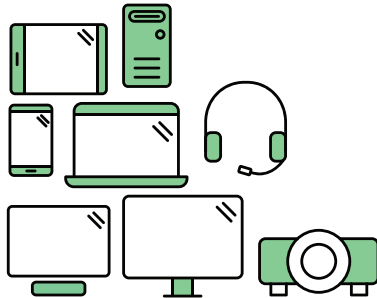
---

## TCO Information

A third-party certification according to ISO 14024



Toward sustainable IT products



## Say hello to a more sustainable product

IT products are associated with a wide range of sustainability risks throughout their life cycle. Human rights violations are common in the factories. Harmful substances are used both in products and their manufacture. Products can often have a short lifespan because of poor ergonomics, low quality and when they are not able to be repaired or upgraded.

**This product is a better choice.** It meets all the criteria in TCO Certified, the world's most comprehensive sustainability certification for IT products. Thank you for making a responsible product choice, that help drive progress towards a more sustainable future!

Criteria in TCO Certified have a life-cycle perspective and balance environmental and social responsibility. Conformity is verified by independent and approved verifiers that specialize in IT products, social responsibility or other sustainability issues. Verification is done both before and after the certificate is issued, covering the entire validity period. The process also includes ensuring that corrective actions are implemented in all cases of factory non-conformities. And last but not least, to make sure that the certification and independent verification is accurate, both TCO Certified and the verifiers are reviewed regularly.

### Want to know more?

Read information about TCO Certified, full criteria documents, news and updates at [tcocertified.com](https://www.tcocertified.com). On the website you'll also find our Product Finder, which presents a complete, searchable listing of certified products.

## **Congratulations!**

### **This product is TCO Certified – for Sustainable IT**



TCO Certified is an international third party sustainability certification for IT products. TCO Certified ensures that the manufacture, use and recycling of IT products reflect environmental, social and economic responsibility. Every TCO Certified product model is verified by an accredited independent test laboratory.

Along with meeting all requirements in TCO Certified, this product also meets the exclusive TCO Certified Edge certification, recognizing best in class products in a specific sustainability attribute.

#### **Summary of TCO Certified Criteria:**

##### **Corporate Social Responsibility**

Socially responsible production - working conditions and labor law in manufacturing country

##### **Energy Efficiency**

Energy efficiency of product and power supply. Energy Star compliant, where applicable

##### **Environmental Management System**

Manufacturer must be certified according to either ISO 14001 or EMAS

##### **Minimization of Hazardous Substances**

Limits on cadmium, mercury, lead & hexavalent chromium including requirements for mercury-free products, halogenated substances and hazardous flame retardants

##### **Design for Recycling**

Coding of plastics for easy recycling. Limit on the number of different plastics used.

##### **Product Lifetime, Product Take Back**

Minimum one-year product warranty. Minimum three-year availability of spare parts. Product takeback

##### **Packaging**

Limits on hazardous substances in product packaging. Packaging prepared for recycling

##### **Ergonomic, User-centered design**

Visual ergonomics in products with a display. Adjustability for user comfort (displays, headsets)

Acoustic performance – protection against sound spikes (headsets) and fan noise (projectors, computers)

Ergonomically designed keyboard (notebooks)

##### **Electrical Safety, minimal electro-magnetic Emissions**

##### **Third Party Testing**

All certified product models have been tested in an independent, accredited laboratory.

A detailed criteria set is available for download at [www.tcodevelopment.com](http://www.tcodevelopment.com), where you can also find a searchable database of all TCO Certified IT products.

TCO Development, the organization behind TCO Certified, has been an international driver in the field of Sustainable IT for 20 years. Criteria in TCO Certified are developed in collaboration with scientists, experts, users and manufacturers. Organizations around the world rely on TCO Certified as a tool to help them reach their sustainable IT goals. We are owned by TCO, a non-profit organization representing office workers. TCO Development is headquartered in Stockholm, Sweden, with regional presence in North America and Asia.

For more information, please visit  
[www.tcodevelopment.com](http://www.tcodevelopment.com)

---

## Chapter 1. Getting started

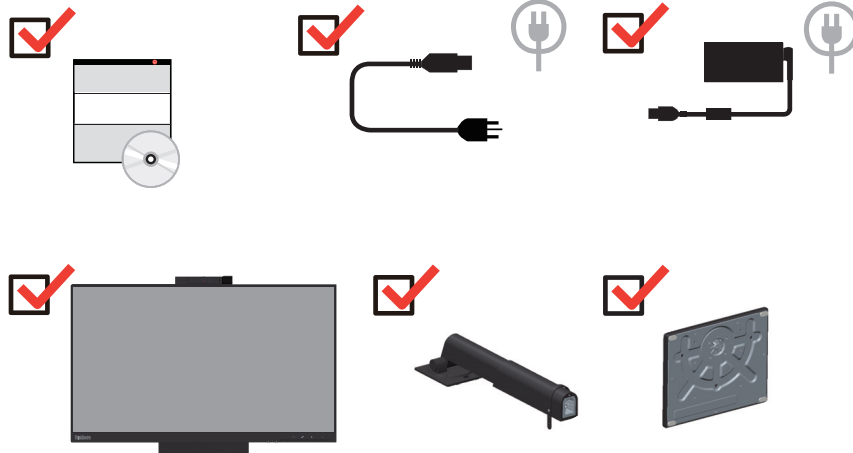
This User's Guide provides detailed operation instructions for the user. For quick instruction overview, please see the Setup Poster for brief information.

---

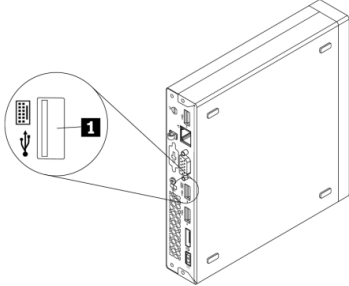
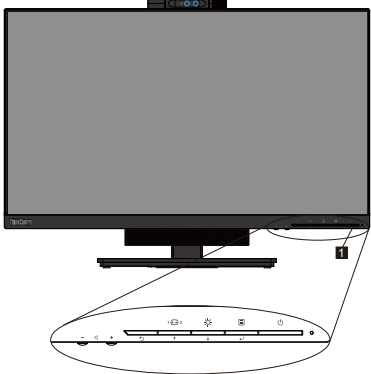
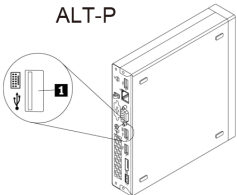

### Shipping contents

The product package should include the following items:

- *AC Power Adapter*
- *Flat Panel Monitor*
- *Information Flyer*
- *Monitor Stand*
- *Monitor Base*
- *Power Cord*
- *Reference and Driver CD*



\*\*\*Your monitor supports the following Tinsy that can be installed in your monitor:

 <p>(1)</p>	 <p>(2)</p>	
	 <p>(1)</p>	 <p>(2)</p>
<p><b>Production support list</b></p>	<p><b>Alt + P</b></p>	<p><b>TIO power button</b></p>
<p>ThinkCentre M93p Tiny (Q87)</p>	<p>√</p>	<p>X</p>
<p>ThinkCentre M83 Tiny (Q85)</p>	<p>√</p>	<p>X</p>
<p>ThinkCentre M73 Tiny (H81)</p>	<p>√</p>	<p>X</p>
<p>ThinkCentre M53 Tiny (Baytrail)</p>	<p>√</p>	<p>X</p>
<p>ThinkCentre Chromebox (Broadwell-U)</p>	<p>X</p>	<p>√</p>
<p>ThinkCentre M900 Tiny (Q170)</p>	<p>√</p>	<p>√</p>
<p>ThinkCentre M900x Tiny (Q170 65w)</p>	<p>√</p>	<p>√</p>
<p>ThinkCentre M700 Tiny (B150)</p>	<p>√</p>	<p>√</p>
<p>ThinkCentre M600 Tiny</p>	<p>√</p>	<p>√</p>
<p>ThinkCentre M600 Tiny Fanless</p>	<p>√</p>	<p>√</p>
<p>ThinkCentre M910q Tiny (Q270)</p>	<p>√</p>	<p>√</p>
<p>ThinkCentre M910x Tiny (Q270 65w)</p>	<p>√</p>	<p>√</p>
<p>ThinkCentre M910x Tiny (Q270w/GPU)</p>	<p>√</p>	<p>√</p>
<p>ThinkCentre M710q Tiny (B250)</p>	<p>√</p>	<p>√</p>
<p>ThinkCentre M715q Tiny (AMD)</p>	<p>√</p>	<p>√</p>
<p>ThinkCentre M625q (AMD)</p>	<p>√</p>	<p>√</p>
<p>ThinkCentre M920x (Q370) 65W</p>	<p>√</p>	<p>√</p>
<p>ThinkCentre M920x-KT(Q370) GPU</p>	<p>√</p>	<p>√</p>



\*\*\*Your monitor supports the following Tinsys that can be installed in your monitor:

ThinkCentre M920q (Q370)	√	√
ThinkCentre M720q-KT(B360)	√	√
ThinkCentre M720q (B360)	√	√
ThinkCentre M630E	√	√
ThinkCentre M75q-1	√	√
ThinkCentre M90n-1*	√	√
ThinkCentre M75n**	√	√
ThinkCentre M90q (WW)	√	√
ThinkCentre M80q (WW)	√	√
ThinkCentre M930q (PRC)	√	√
ThinkCentre M70q (WW)	√	√
ThinkCentre M730q (PRC)	√	√
ThinkStation P320 Tiny	√	√
ThinkStation P330 Tiny	√	√
ThinkStation P340 Tiny	√	√

Before you install your Tiny into your monitor, ensure that the Tiny is listed above.

1. Install your computer into the TIO24Gen4
2. When using "ALT+P" to power on Tiny, please Connect a Lenovo keyboard the USB port shown as above on the rear of computer.
3. Press ALT+P on the keyboard to power on the computer and TIO24Gen4.

**Note 1:** ThinkCentre M600, M700, M900, M900x, M910x, M910, M715 Tiny may also be powered on with the TIO24Gen4 power button. (See Figure 2)

**Note 2:** When connect many cables to ThinkCentre M910x w/Gxf, it is recommended to do cable management or open lift door.

**Note 3:** Some ThinkCentre M93p, M83, M73, M53 can't be powered on with the TIO24Gen4, please press ALT+P on the keyboard to power on computer.

**Note 4:** Your monitor supports ThinkCentre M90n-1 or ThinkCentre M75n with Fan production, please refer to follows supported information.

\*ThinkCentre M90n-1 supported MTs list:

ThinkCentre M90n-1 MTs
11AD
11AE
11AF
11AG

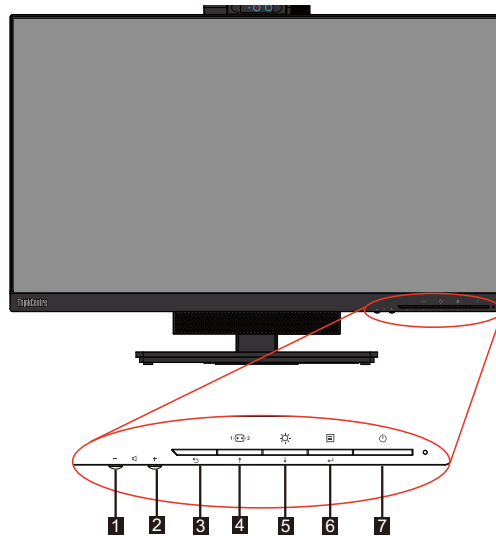
\*\* ThinkCentre M75n supported MTs list:

ThinkCentre M75n MTs
11BS
11BT
11BU
11BV
11G4
11G5
11G6
11G7

---

## Locating connectors and controls on your monitor

### Front view



1. Volume Down	2. Volume Up
3. Exit	4. Modes Switch/UP button
5. Brightness control/Down button	6. Menu-opening button/Selection button
7. Power button	

### Rear view



1. AC power adapter connector	2. DisplayPort connector
3. USB 3.0 connector	4. Security-lock slot

---

## Setting up your monitor

This section provides information on how to set up your monitor.

- Assembling your monitor
- Connecting cables
- Turning on your monitor and computer

**Note:** Before setting up your monitor, ensure that you have read and understood the “Safety information” on page iii.

### Assembling your monitor

To assemble your monitor, follow the four parts below one by one:

Part 1: Install the full-function monitor stand.

Part 2: Install the Tiny.

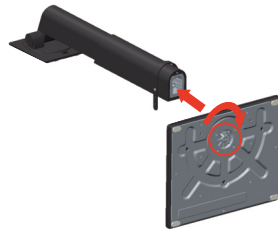
Part 3: Install the rear Wi-Fi antenna (optional).

Part 4: Install the Kensington-style cable lock (optional).

#### Part 1: Install the full-function monitor stand.

**Note:** The full-function monitor stand includes one monitor stand and one stand base.

1. Place a soft, clean towel or cloth on the desk or surface. Hold the sides of your monitor and gently lay it down so that the screen is against the surface and the cover is facing up.
2. Insert the three metal studs on the base into the corresponding holes in the stand. Then, tighten the screw as shown to secure the stand.



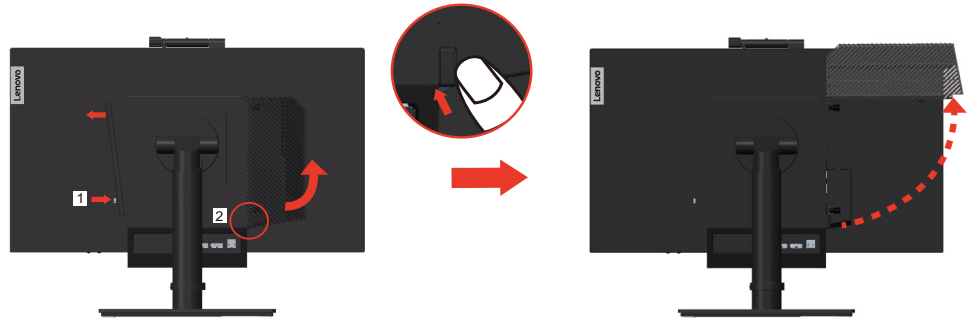
3. Insert the two metal tabs on the stand into the corresponding holes on the rear of the monitor. Then, pivot the stand downward until it clicks into position.



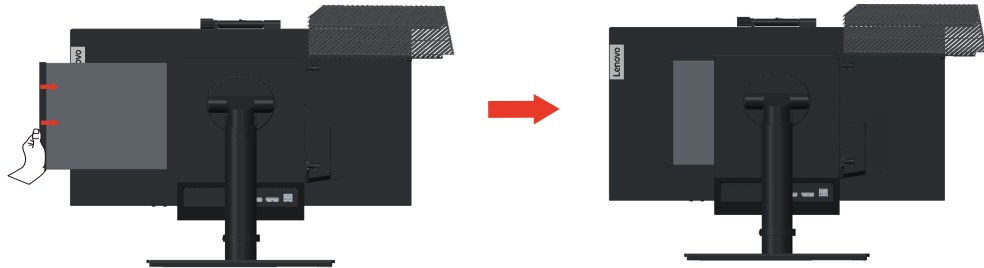
## Part 2: Install the Tiny.

1. Press the decorative cover 1 as shown to remove it. Then, press the button 2 to open the cable cover.

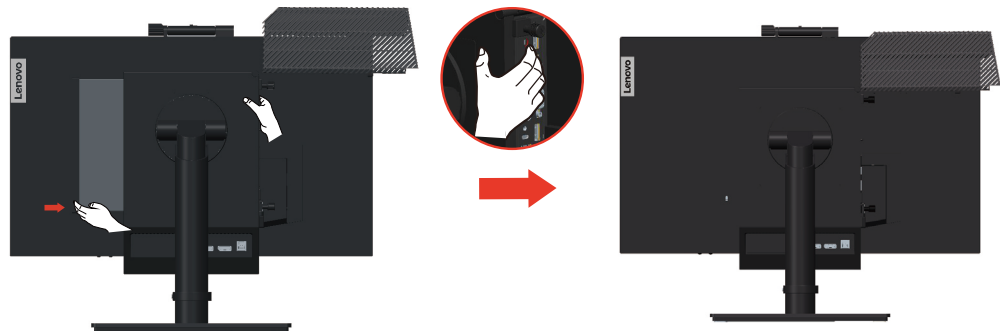
**Note:** Keep the decorative cover for future use.



2. With the Lenovo logo facing you, insert your Tiny into the computer bay until it rests on the stoppers.

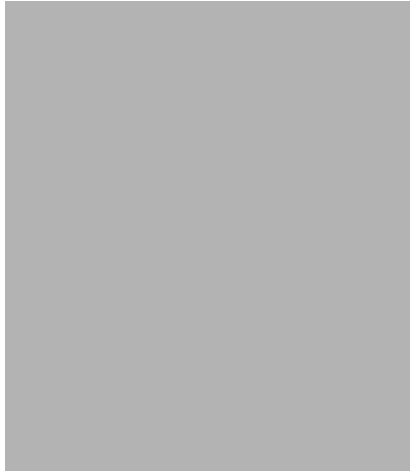


3. Press the computer from the front until it completely snaps into position.



**Note:** Make sure the Tiny is aligned with the back cover.

One hand can push the downside of tiny, the other hand assist adjust the Tiny to smoothly inset.



4. Tighten the screw to secure the Tiny.



**Part 3: Install the rear Wi-Fi antenna (optional).**

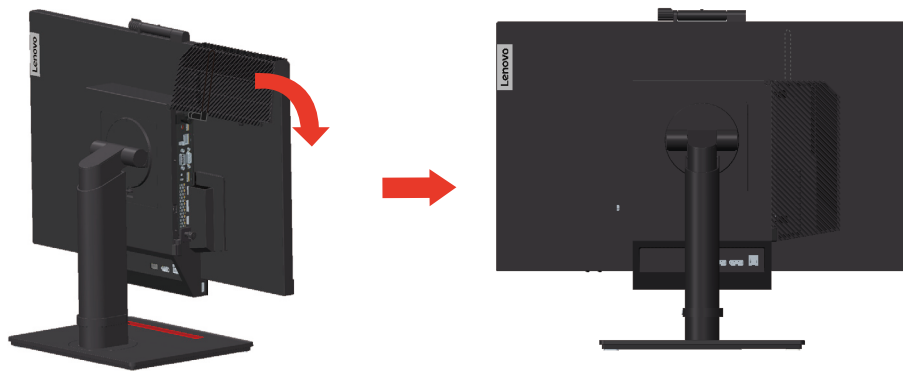
1. Pivot the cable cover as shown to the open position. Then, press the decorative cover 2 from the inner side of the cable cover to remove the decorative cover.



2. Screw the rear Wi-Fi antenna to the antenna connector on the rear of the computer. Then, adjust the angle of the antenna to 90 degrees.



3. Pivot the cable cover as shown to the closed position.



#### Part 4: Install the Kensington-style cable lock (optional).

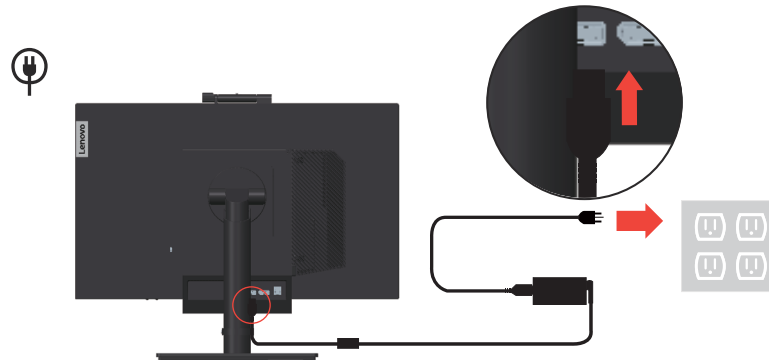
With the key of the Kensington-style cable lock, attach the lock to the security-lock slot on the rear panel of your computer as shown. The lock secures your monitor to a desk, table, or other non-permanent fixture. It also blocks the Tiny so that the Tiny cannot be removed from the monitor.



## Connecting cables

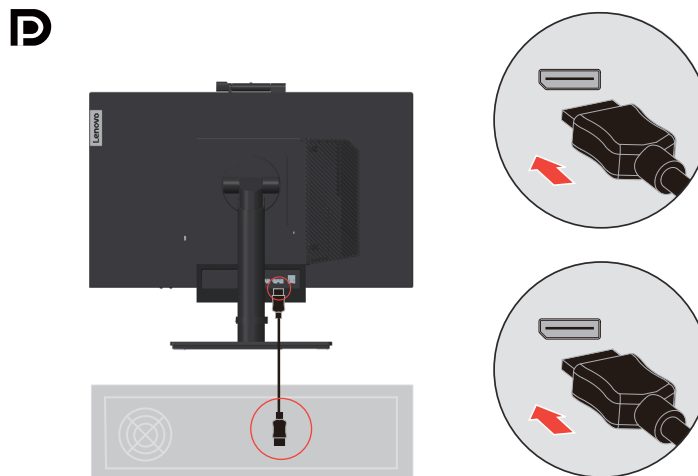
After assembling your monitor, you must connect cables correctly to use the monitor and computer. Your monitor can be used with either the Tiny installed in the monitor or an external desktop/laptop computer. To connect cables, do one of the following:

1. If you use the Tiny installed in the monitor, connect the ac power adapter cable and power cord that comes with the monitor. First connect the ac power adapter cable to the ac power adapter connector on the monitor. Then, connect one end of the power cord to the ac power adapter and the other end to a properly-grounded electrical outlet.



**Note:** When installing the computer to the TIO monitor for AIO mode, ensure you use the power adapter that comes with the computer when computer power adapter large than 90W, otherwise please use TIO power adapter.

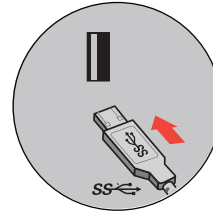
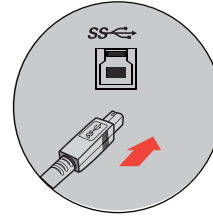
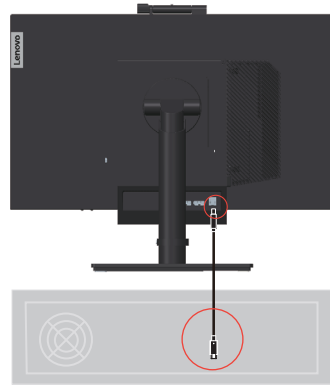
2. Use a DisplayPort cable of this type as shown. Connect one end of the DisplayPort cable to the DisplayPort connector on the monitor and the other end to a DisplayPort connector on the computer. To locate the DisplayPort connector on the monitor, see "[ThinkCentre M90n-1 supported MTs list](#):" on page 1-4.





- Use a type B-to-type A USB cable as shown. Connect type B connector of this cable to the USB 3.0 upstream connector on the monitor. Then, connect type A connector of the cable to a USB connector on the computer. To locate the USB 3.0 upstream connector on the monitor, see "[\\*ThinkCentre M90n-1 supported MTs list:](#)" on page 1-4.

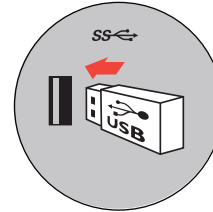
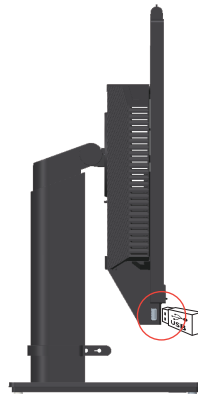
SS ← \*



Connect one end of the USB cable to the USB downstream terminal on the side of the monitor, and connect the other end of the USB cable to an appropriate USB port on your device.

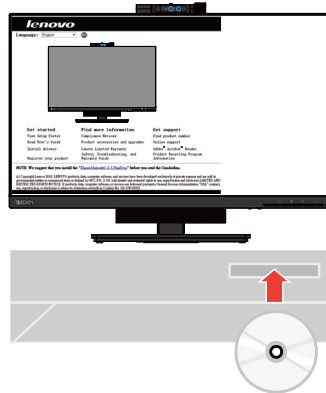
**Note:** The USB downstream port does not provide power while the monitor switch is off.

SS ← \*



\*: Depending on many factors such as the processing capability of peripheral devices, file attributes, and other factors related to system configuration and operating environments, the actual transfer rate using the various USB connectors on this device will vary and is typically slower than the data rates as defined by the respective USB specifications: - 5 Gbit/s for USB 3.1 Gen 1; 10 Gbit/s for USB 3.1 Gen 2 & 20 Gbit/s for USB 3.2.

4. To initiate the monitor driver, insert the Reference and Driver CD, click Install driver, and follow the on-screen instructions.



---

## Turning on your monitor and computer

To turn on your monitor and computer, do one of the following:

- If you only have the Tiny installed in the monitor, press the power button on the monitor to turn on your monitor and computer. To locate the power button, see "ThinkCentre M90n-1 supported MTs list:" on page 1-4.
- If you only have the external desktop/laptop computer connected to the monitor, press the power button on the monitor to turn on your monitor. Then, press the power button on the computer to turn on your computer. To locate the power button, see "ThinkCentre M90n-1 supported MTs list:" on page 1-4.
- If you have both the Tiny installed in the monitor and the external desktop/laptop computer connected to the monitor, do one of the following:
  - If you use the Tiny, press the power button on the monitor to turn on your monitor and computer. To locate the power button, see "ThinkCentre M90n-1 supported MTs list:" on page 1-4.
  - If you use the external desktop/laptop computer, press the mode-switching button on the monitor to select the DP mode so that the monitor is turned on. Then, press the power button on the computer to turn on your computer. To locate the mode-switching button, see "ThinkCentre M90n-1 supported MTs list:" on page 1-4.

**Note:** When both the Tiny and the external desktop/laptop computer are working, you can press the mode-switching button to switch between the two computers. When you select the AIO mode, you will use the Tiny. When you select the DP mode, you will use the external desktop/laptop computer.

When you switch between the AIO mode and the DP mode, ensure that no data is being transmitted between your computer and any USB device that is connected to your monitor. If you switch between the two modes while the USB data is being transmitted, the transmission will be interrupted and loss of data may result.

When you switch between the AIO mode and the DP mode the following is required to wake your computer from sleep or hibernation:

- DP mode to AIO mode. If the Tiny installed in your monitor is in sleep or hibernation mode, press the power button of the monitor to wake up the Tiny.
- AIO mode to the DP mode. If the external desktop/laptop computer is in sleep or hibernation mode, press the power button of the external desktop/laptop computer to wake up it.

**Note:** When you switch between AIO mode and DP mode, the keyboard and mouse that are connected to your monitor are also switched.

---

## Chapter 2. Adjusting and using your monitor

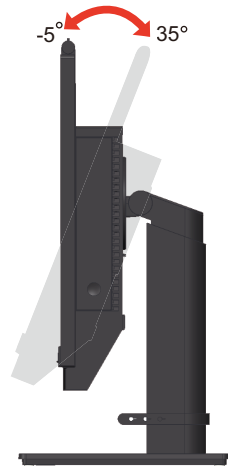
This section will give you information on adjusting and using your monitor.

---

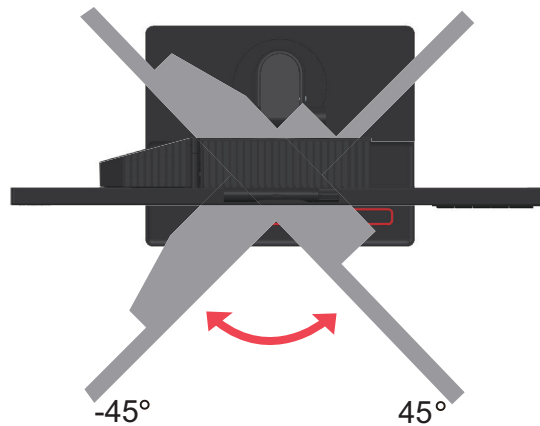
### Adjusting the full-function monitor stand

You can use the full-function monitor stand to adjust the monitor to your comfortable position.

1. The following illustration shows that you can adjust the monitor at an angle of  $-5^{\circ}$  to the front and  $35^{\circ}$  to the rear.



2. The following illustration shows that you can turn the monitor at an angle of  $45^{\circ}$  to the left and  $45^{\circ}$  to the right.

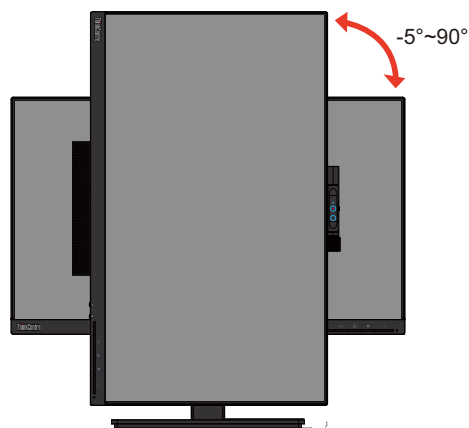


3. The following illustration shows that you can adjust the height of the full-function monitor stand within a length of 150 mm.



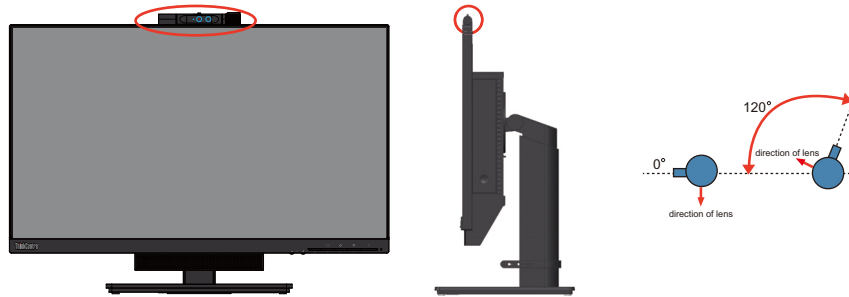
4. The following illustration shows that you can rotate clockwise the monitor at an angle of  $-5^{\circ}$  to the left and  $90^{\circ}$  to the right.

**Note:** Adjust the screen position before rotating the monitor screen. (Make sure that the monitor screen ascent to its highest point,.



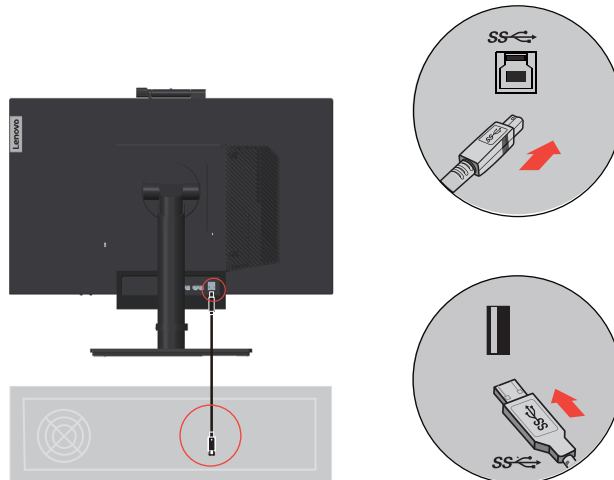
## Camera Swivel

Please see the illustration below for an example of camera swivel range.

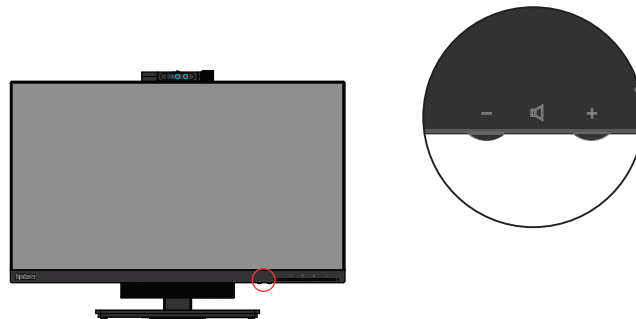


## Speakers

Your monitor has integrated 2 speakers which can support audio transmitted over the DP video input as well as USB audio. When you select the DP mode, the USB3.0 cable is required to connect to the system. When you select the AIO mode, the USB3.0 cable is not needed.



Speaker volume is adjusted using controls on the front of the monitor.



**Note:** When a Headphone or Speaker connected to Tiny audio port, the monitor speaker would not mute until the audio playback device is switched.

---

## Wall Mounting (Optional)

Refer to the instructions that come with the base mounting kit. To convert your LCD display from a desk-mounted to a wall-mounted display, do the following:

Step 1: Verify that the Power button is turned Off, then disconnect the power cord.

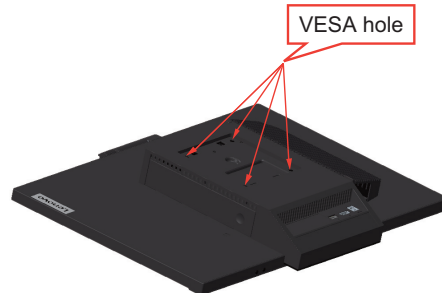
Step 2: Lay the LCD display face down on a towel or blanket.



Step 3: Remove the base and stand from the monitor.



Step 4: Attach the mounting bracket from the VESA compatible wall mounting kit (100mm x100mm distance), the type of VESA mounting screw is M4 x 10 mm.



Step 5: Attach the LCD display to the wall, and follow the instructions in the wall-mounting kit.

For use only with UL Listed Wall Mount Bracket with minimum weight/load: 8kg

---

## Installing the monitor driver

To enjoy a better monitor performance, it is recommended that you install the monitor driver before using the monitor.

To install the monitor driver, do one of the following:

- If the optical drive is available, insert the CD that comes with the monitor into the optical drive. Then, follow the instructions on the screen.
- If the optical drive is not available, download the driver from the Lenovo Web site at <https://pcsupport.lenovo.com/solutions/tio24gen4>. Then, follow the instructions in "Manually installing the monitor driver" on page 3-8.



---

## Comfort and accessibility

Good ergonomic practice is important to get the most from your personal computer and to avoid discomfort. Arrange your workplace and the equipment you use to suit your individual needs and the kind of work that you perform. In addition, use healthy work habits to maximize your performance and comfort while using your computer.

### Arranging your work area

Use a work surface of appropriate height and available working area to allow you to work in comfort.

Organize your work area to match the way you use materials and equipment. Keep your work area clean and clear for the materials that you typically use and place the items that you use most frequently, such as the computer mouse or telephone, within the easiest reach.

Equipment layout and setup play a large role in your working posture. The following topics describe how to optimize equipment setup to achieve and maintain good working posture.

### Positioning and viewing your monitor:

Position and adjust your computer monitor for comfortable viewing by considering the following items:

- **Viewing distance:**

Optimal viewing distances for monitors range from approximately 510mm to 760mm (20 in to 30 in) and can vary depending on ambient light and time of day. You can achieve different viewing distances by repositioning your monitor or by modifying your posture or chair position. Use a viewing distance that is most comfortable for you.

- **Monitor height:**

Position the monitor so your head and neck are in a comfortable and neutral (vertical, or upright) position. If your monitor does not have height adjustments, you might have to place books or other sturdy objects under the base of the monitor to achieve the desired height. A general guideline is to position the monitor such that the top of the screen is at or slightly below your eye-height when you are comfortably seated. However, be sure to optimize your monitor height so the line of site between your eyes and the center of the monitor suits your preferences for visual distance and comfortable viewing when your eye muscles are in a relaxed state.

- **Tilt&Swivel&Pivot:**

Adjust the tilt, swivel and pivot of your monitor to optimize the appearance of the screen content and to accommodate your preferred head and neck posture.

- **General location:**

Position your monitor to avoid glare or reflections on the screen from overhead lighting or nearby windows.

The following are some other tips for comfortable viewing of your monitor:

- Use adequate lighting for the type of work you are performing.
- Use the monitor brightness, contrast, and image adjustment controls, if equipped, to optimize the image on your screen to meet your visual preferences.
- Keep your monitor screen clean so you can focus on the screen's contents.

Any concentrated and sustained visual activity can be tiring for your eyes. Be sure to periodically look away from your monitor screen and focus on a far object to allow your eye muscles to relax. If you have questions on eye fatigue or visual discomfort, consult a vision care specialist for advice.

## Quick tips for healthy work habits

The following information is a summary of some important factors to consider to help you remain comfortable and productive while you use your computer.

- **Good posture starts with equipment setup:**

The layout of your work area and the setup of your computer equipment have a large effect on your posture while using your computer. Be sure to optimize the position and orientation of your equipment by following the tips outlined in "Arranging your work area" on page 2-6 so you can maintain a comfortable and productive posture. Also, be sure to use the adjustment capabilities of your computer components and office furniture to best suit your preferences now and as your preferences change over time.

- **Minor changes in posture can help avoid discomfort:**

The longer you sit and work in front of your computer, the more important it is to observe your working posture. Avoid assuming any one posture for an extended period of time. Periodically make minor modifications in your posture to help deter any discomforts that might arise. Make use of any adjustments that your office furniture or equipment provide to accommodate changes in posture.

- **Short, periodic breaks help ensure healthy computing:**

Because computing is primarily a static activity, it is particularly important to take short breaks from your work. Periodically, stand up in front of your work area, stretch, walk for a drink of water, or otherwise take a short break from using your computer. A short break from work gives your body a welcome change in posture and helps to ensure you remain comfortable and productive while you do work.

---

## Accessibility information

Lenovo is committed to providing greater access to information and technology to people with disabilities. With assistive technologies, users can access information in the way most appropriate to their disability. Some of these technologies are already provided in your operating system; others can be purchased through vendors or accessed at:

[https://lenovo.ssbartgroup.com/lenovo/request\\_vpat.php](https://lenovo.ssbartgroup.com/lenovo/request_vpat.php)

---

## Adjusting your monitor image

This section describes the user control features used to adjust your monitor image.

### Using the user controls

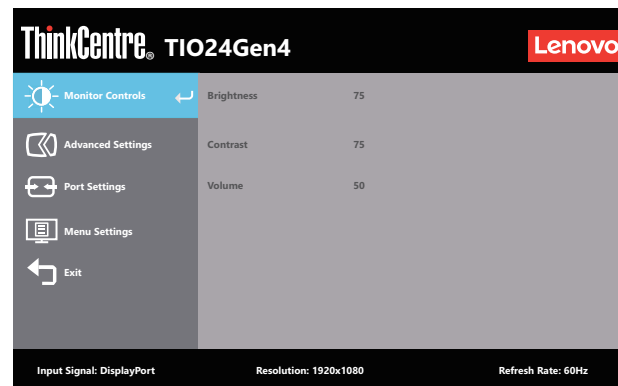
Your monitor has four user controls on the front panel. To locate the user controls, see "**\*ThinkCentre M90n-1 supported MTs list:**" on page 1-4. You can use the user controls to adjust some settings of your monitor on the On Screen Display (OSD) main menu.

- **Back button**  
Used to move back and exit from the OSD menu.
- **Modes Switch / UP button**  
Used to move to the left on the OSD menu and switch between the AIO mode (using the Tiny installed) and the DP mode (using an external desktop/laptop computer).
- **Brightness control / Down button**  
Used to move to the right on the OSD menu and adjust the brightness.
- **Selection button / menu-opening button**  
Used to open the OSD main menu and select an option.

### Using the OSD controls

The settings adjustable with the user controls are viewed through the OSD, as shown below.

**Note:** When switching to AIO mode, the monitor and the Tiny share the same power button on the monitor. However, if the enhanced power saving mode is enabled in the BIOS of the Tiny, you can only use the power button of the computer to turn on the computer.



To use the controls:

1. Press **←** to open the main OSD menu.
2. Use **↑** or **↓** to move among the icons. Select an icon and press **←** to access that function. If there is a sub-menu, you can move between options using **↑** or **↓**, then press **←** to select that function. Use **↑** or **↓** to make adjustments. Press **←** to save.
3. Press **↶** to move backwards through the sub-menus and exit from the OSD.
4. Press and hold **←** for 10 seconds to lock the OSD. This will prevent accidental adjustments to the OSD. Press and hold **←** for 10 seconds to unlock the OSD and allow adjustments to the OSD.
5. DDC/CI is enabled by default. Press and hold **↶** for 5 seconds to disable/enable DDC/CI function. The words "DDC/CI Disable" / "DDC/CI Enable" shows on the screen.

6. The ENERGY STAR option resets all user settings to default values so that the monitor can meet the requirements of Energy Star.



Energy Star is an energy saving program for consumer electronics led by the U.S. government. It was launched in 1992 by EPA and DOE to reduce energy consumption and greenhouse gas emissions. Energy Star logo is a symbol of energy conservation and environmental protection. It improves the concept of energy efficiency of consumers and manufacturers, and effectively guides the market.

The regulation of Energy Star improves energy efficiency and reduces air pollution by using more energy-efficient equipment in homes, offices and factories. One way to achieve this goal is to use management to reduce energy consumption when products are not in use. The default settings for monitors conform to Energy Star certification. Any changes by users for more features and functionalities may increase power consumption, which will exceed the limitation of Energy Star's standard. If the user changes the options related to energy efficiency when using, such as brightness, color mode, etc., select All Reset Factory or choose the Energy Star option, the power consumption will be restored to the energy efficiency with Energy Star standard.

For more information, please refer to ([www.energystar.gov/products](http://www.energystar.gov/products)). All products of Energy Star will be posted online and can be accessed directly by governments, public institutions and consumers.

## Using the USB connectors

Your monitor has USB connectors. To locate the USB connectors, see "ThinkCentre M90n-1 supported MTs list:" on page 1-4.

- USB 3.0 connectors

Used to attach a device that requires a USB 2.0 or USB 3.0 connection, such as a keyboard, a mouse, a scanner, or a printer.

**Note:** The USB 3.0 connector on the panel left side can only be used as USB 2.0 connectors in one of the following conditions:

- You use the Tiny installed in the monitor and the 3-in-1 cable is connected to a USB 2.0 connector on the computer.
  - You use an external desktop/laptop computer and the USB cable is connected to a USB 2.0 connector on the computer.
- USB 3.0 upstream connector

Used to transfer signals from the external desktop/laptop computer to the monitor.

Table 2-1. OSD functions







OSD Icon on Main Menu	Sub menu	Description	Controls and Adjustments
 Monitor Controls	Brightness	Adjust overall screen brightness	All input ports
	Contrast	Adjust difference between light and dark areas	
	Volume	Adjust volume	
 Advanced Settings	Dynamic Contrast	<ul style="list-style-type: none"> <li>• On</li> <li>• Off</li> </ul>	
	Over Drive	<ul style="list-style-type: none"> <li>• Off</li> <li>• Normal</li> <li>• Extreme</li> </ul>	
	Color Mode	Adjust intensity of red, green, and blue.  Preset mode <ul style="list-style-type: none"> <li>• sRGB</li> <li>• Neutral</li> <li>• Reddish</li> <li>• Bluish</li> <li>• Low Blue Light</li> </ul> Custom <ul style="list-style-type: none"> <li>• Red: Increases or decreases the saturation of "red" in the image.</li> <li>• Green: Increases or decreases the saturation of "green" in the image.</li> <li>• Blue: Increases or decreases the saturation of "blue" in the image.</li> </ul>	

Table 2-1. OSD functions

OSD Icon on Main Menu	Sub menu	Description	Controls and Adjustments
 Advanced Settings	Aspect Ratio	<ul style="list-style-type: none"> <li>Full Screen: Expand image to full screen.</li> <li>Original AR: Same Aspect Ratio with input signal.</li> </ul>	All input ports
	Button repeat rate	<ul style="list-style-type: none"> <li>Off</li> <li>Default</li> <li>Slow</li> </ul>	
 Port Settings	Input Signal	<ul style="list-style-type: none"> <li>DisplayPort</li> <li>AIO Mode</li> </ul>	
	DP Select	<ul style="list-style-type: none"> <li>DP 1.2</li> <li>DP 1.1</li> </ul>	
 Menu Settings	Language	Change languages of menu.  The language chosen only affects the language of the OSD. It has no effect on any software running on the computer.	
	Menu time out	Set the duration of time that the OSD will remain active when no operation is performed.	
	Menu Horizontal	Adjust menu Horizontal location.	
	Menu Vertical	Adjust menu Vertical location.	
	Transparency	Adjust menu Transparency	
	Factory Reset	<ul style="list-style-type: none"> <li>No</li> <li>Yes</li> </ul>	
 Exit		Exit from menu	

**Note:**

\*Low Blue Light Mode is reducing the blue light content.

\*The use of Extreme Mode (response time) may result in reduced display quality when fast moving video graphics are displayed. Users should check Extreme Mode (response time) to verify if it is compatible with any applications they would like to use it with.

## Wake on the System and Display

Take the steps outlined below to wake up the system and display when the latter is in standby mode:

### AIO mode

1. Tiny PC running and display off: move your mouse to wake up your PC.
2. Tiny PC in standby mode and display off: click the mouse, press the power button on the front of the monitor, or press the power button on the Tiny PC to wake up your PC.
3. Tiny PC in sleep mode and display off: press the power button on the front of the monitor, or press the power button on the Tiny PC to wake up your PC.

### DP mode

1. PC running and display off: move your mouse to wake up your PC.
2. PC in standby mode and display off: click the mouse, or press the power button on the Tiny PC to wake up your PC.
3. PC in sleep mode and display off: press the power button on the Tiny PC to wake up your PC.



---

## Selecting a supported display mode

The display mode that monitor uses is controlled by the computer. Therefore, refer to your computer documentation for details on how to change display modes.

The image size, position and shape might change when the display mode changes. This is normal and the image can be readjusted using automatic image setup and the image controls.

Unlike CRT monitors, which require a high refresh rate to minimize flicker, LCD or Flat Panel technology is inherently flicker-free.

**Note:** If your system has previously been used with a CRT monitor and is currently configured to a display mode outside the range of this monitor, you may need to re-attach the CRT monitor temporarily until you have re-configured the system; preferably to 1920x1080 at 60Hz, which is the Native Resolution Display mode.

The display modes shown below have been optimized at the factory.

*Table 2-2. Factory set display modes*

Addressability	Refresh rate
640x350	70 Hz
640x480	60Hz, 66Hz, 72Hz, 75Hz
720x400	70 Hz
800x600	60Hz, 72Hz, 75Hz
1024x768	60Hz, 70Hz, 75Hz
1152x864	75 Hz
1280x768	60 Hz
1280x800	60 Hz
1280x1024	60Hz, 72Hz, 75Hz
1366x768	60 Hz
1440x900	60Hz, 75Hz
1600x1200	60Hz, 70Hz
1680x1050	60 Hz
1920x1080	60Hz

## Understanding power management

Power management is invoked when the computer recognizes that you have not using your mouse or keyboard for a user-definable period. There are several states as described in the table below.

For optimal performance, switch off your monitor at the end of each working day, or whenever you expect to leave it unused for long periods during the day.

Table 2-3. Power indicator

State	Power Indicator	Screen	Restoring Operation	Compliance
On	Solid white (AIO Mode/DP)	Normal		
Suspend	Solid white (AIO Mode) <b>Note:</b> If Tiny is on, the LED is solid white.	Blank	Press a key or move the mouse. There may be a slight delay reappears. <b>Note:</b> Standby also occurs if there is no image output to the monitor.	ENERGY STAR
	Solid amber (DP)			
Off	Off (AIO Mode/DP)	Off	Press power key to switch on. There may be a slight delay before the image reappears.	ENERGY STAR

Table 2-4. Modern standby

Takes S0 & screen off as modern standby, Tips for the limitation of AMD modern standby.

Tiny status	On (Screen on) White	On (Screen off) White	S3 White blink	S4/S5 OFF	Modern standby Breathing
TIO LED-Intel	White	Breathing	White blink	OFF	Breathing
TIO LED-AMD	White	Breathing	White blink	OFF	White blink
Remark: Tiny has no S3 status if it supports modern standby.					

---

## Caring for your monitor

Be sure to turn off the power before you perform any maintenance on the monitor.

**Do not:**

- Apply water or liquid directly to your monitor.
- Use solvents or abrasives.
- Use flammable cleaning materials to clean your monitor or any other electrical equipment.
- Touch the screen area of your monitor with sharp or abrasive items. This type of contact may cause permanent damage to your screen.
- Use any cleaner which contains an anti-static solution or similar additives. This may harm the coating of the screen area.

**Do:**

- Lightly dampen a soft cloth with water and use this to gently wipe the covers and the screen.
- Remove grease or finger marks with a damp cloth and a little mild detergent.

---

## Chapter 3. Reference information

This section contains Disassembling your monitor, monitor specifications, instructions to manually install the monitor driver, troubleshooting information, and service information.

---

### Disassembling your monitor

To disassemble your monitor, follow the four parts below one by one:

Part 1: Remove the Kensington-style cable lock (optional).

Part 2: Remove the rear Wi-Fi antenna (optional).

Part 3: Remove the Tiny.

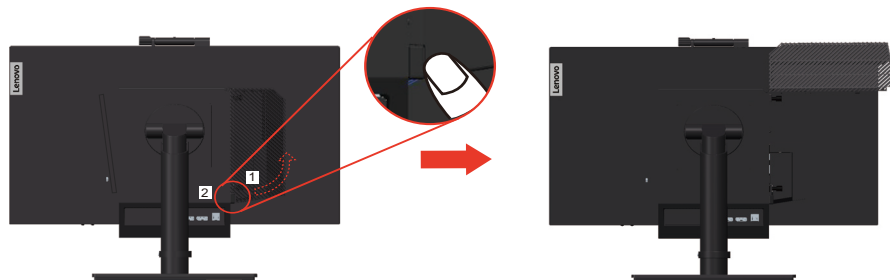
Part 4: Remove the full-function monitor stand.

#### Part 1: Remove the Kensington-style cable lock (optional).

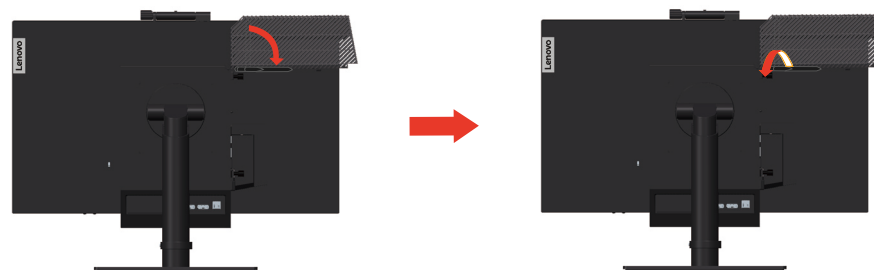
With the key of the Kensington-style cable lock, unlock the lock that is attached to the rear panel of your computer.

#### Part 2: Remove the rear Wi-Fi antenna (optional).

1. Press the cable cover 1 to open it. Then, pivot the cable cover as shown to the open position.



2. Pivot the rear Wi-Fi antenna downward at an angle of about 90°. Then, hold the thicker end of the rear Wi-Fi antenna and unscrew it from the computer.

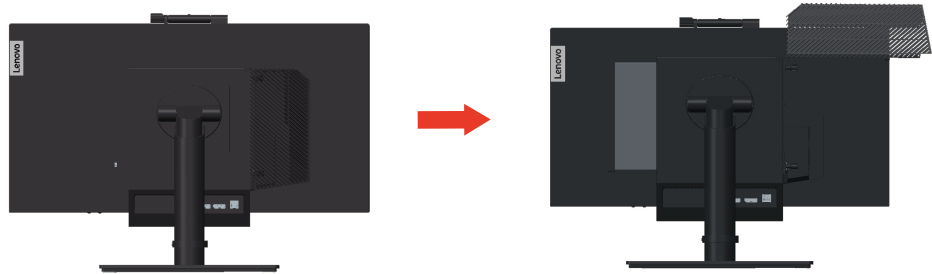


### Part 3: Remove the Tiny.

1. Release the screw that secures the computer.



2. Push the computer from the rear as shown to disconnect it completely from the 3 in 1 cable.



3. Pull the computer out of the computer bay. Then, pivot the cable cover as shown to the closed position.



4. If the two decorative covers of the computer bay are available, insert the two covers into the corresponding slots.



**Part 4: Remove the full-function monitor stand.**

1. Place a soft, clean towel or cloth on the desk or surface. Hold the sides of your monitor and gently lay it down so that the screen is against the surface and the cover is facing up.
2. Slide the latch upward as shown. Then, pivot the monitor stand upward to remove it.



3. If you want to hang your monitor on the wall, you can install a VESA mount bracket that can be ordered from Lenovo.

## Monitor specifications

Table 3-1. Monitor specifications for type-model A20TIO24

Dimensions	Depth	220.5 mm (8.68 in.)
	Height	596.8 mm (23.49 in.)
	Width	539.8 mm (21.25 in.)
Stand	Tilt range	Range: -5°/+35°
Stand	Swivel	Range: -45°, +45°
Stand	Pivot	Range: -5°, 90°
Stand	Lift	Range: 150 mm
VESA mount	Supported	100 mm (3.94 in.)
Image	Viewable image size	605 mm (23.8 in.)
	Maximum height	297 mm (11.69 in.)
	Maximum width	527 mm (20.74 in.)
	Pixel pitch	0.275mm (H) x 0.275 mm (V)
Power input	Supply voltage	20VDC
Power consumption	Max supply current	6.75 A or 4.5 A
	Max Consumption	27 W (max)
	Typical Consumption	15 W (typ)
	Standby/Suspend	<0.5 W
	Off	<0.3 W
Video input (Analog)	Interface	DP
	Horizontal addressability	1920 pixels (max)
	Vertical addressability	1080 lines (max) 205 MHz
	Clock frequency	10.8 Gbps (max)
Communications	VESA DDC	CI
Altitude Test	Operation	16404.2 ft
Supported Display Modes (VESA Standard modes between noted ranges)	Horizontal frequency	DP: 30 kHz – 83 kHz
	Vertical frequency	30 Hz – 75 Hz
	Native Resolution	1920 x 1080 at 60 Hz
Temperature	Operating	0° to 40°C (32°F to 104° F)
	Storage	-20° to 60°C (-4°F to 140° F)
	Shipping	-20° to 60°C (-4° F to 140° F)

*Table 3-1. Monitor specifications for type-model A20TIO24*

Humidity	Operating	8% to 80%
	Storage	5% to 90%
	Shipping	5% to 90%



## Troubleshooting

If you have a problem setting up or using your monitor, you might be able to solve it yourself. Before calling your dealer or Lenovo, try the suggested actions that are appropriate to your problem.

Table 3-2. Troubleshooting

Problem	Possible cause	Suggested action	Reference
The words "Out of Range" are shown on the screen, and the power indicator is flashing white.	The system is set to a display mode which is not supported by the monitor.	<ul style="list-style-type: none"> <li>If you are replacing an old monitor, reconnect it and adjust the display mode to within the specified range for your new monitor.</li> <li>If using a Windows system, restart the system in safe mode, then select a supported display mode for your computer.</li> <li>If these options do not work, contact the Support Center.</li> </ul>	"Selecting a supported display mode" on page 2-14
The image quality is unacceptable.	The video signal cable is not connected with the monitor or system completely.	Be sure the signal cable is firmly plugged into the system and monitor.	"Assembling your monitor" on page 1-6
	The color settings may be incorrect.	Select another color setting from the OSD menu.	"Adjusting your monitor image" on page 2-8
	The automatic image setup function was not performed.	Perform automatic image setup.	"Adjusting your monitor image" on page 2-8
The power indicator is not lit and there is no image.	<ul style="list-style-type: none"> <li>The monitor's power switch is not switched on.</li> <li>The power cord is loose or disconnected.</li> <li>There is no power at the outlet.</li> </ul>	<ul style="list-style-type: none"> <li>Be sure the power cord is connected properly.</li> <li>Be sure the outlet has power.</li> <li>Power on the monitor.</li> <li>Try using another power cord.</li> <li>Try using another electrical outlet.</li> </ul>	"Assembling your monitor" on page 1-6
Screen is blank and power indicator is amber.	The monitor is in Standby/Suspend mode.	<ul style="list-style-type: none"> <li>Press any key on the keyboard or move the mouse to restore operation.</li> <li>Check the Power Options settings on your computer.</li> </ul>	"Understanding power management" on page 2-15
The power indicator is amber, but there is no image.	The video signal cable is loose or disconnected from the system or monitor.	Be sure the video cable is connected with the system properly.	"Assembling your monitor" on page 1-6
	The monitor brightness and contrast are at the lowest setting.	Adjust the brightness and contrast setting on the OSD menu.	"Adjusting your monitor image" on page 2-8

Table 3-2. Troubleshooting

Problem	Possible cause	Suggested action	Reference
One or more of the pixels appear discolored.	This is a characteristic of the LCD technology and is not an LCD defect.	If there are more than five pixels missing, contact the Support Center.	Appendix A."Service and Support"on page A-1
<ul style="list-style-type: none"> <li>Fuzzy lines in text or a blurry image.</li> <li>Horizontal or vertical lines through the image.</li> </ul>	<ul style="list-style-type: none"> <li>Image setup has not been optimized.</li> <li>Your system Display Properties setting have not been optimized.</li> </ul>	Adjust the resolution settings on your system to match the native resolution for this monitor: 1920 x 1080 at 60 Hz.	"Adjusting your monitor image"on page 2-8
		Perform automatic image setup. If automatic image setup does not help, perform manual image setup.	"Selecting a supported display mode"on page 2-14
		When working in the native resolution, you may find additional improvements by adjusting the Dots Per Inch (DPI) setting on your system.	See the Advanced section of your system's display properties.
The image is not acceptable when switching to dual mode	It has not set the optimum resolution for each mode	<ul style="list-style-type: none"> <li>Use ThinkVision® Duo software to optimize the dual screen operation</li> <li>Adjust graphic card resolution manually</li> </ul>	"Using the user controls"on page 2-8

## Manually installing the monitor driver

Below are steps for manually installing the monitor driver in Microsoft Windows 7 and Microsoft Windows 10.

### Installing the monitor driver in Windows 7

To use the Plug and Play feature in Microsoft Windows 7, do the following:

**Note:** You must download file from the Reference and Driver CD or the Lenovo website <https://pcsupport.lenovo.com/solutions/tio24gen4> to use the Plug and Play feature in Windows 7.

1. Turn off the computer, all attached devices.
2. Ensure that the monitor is connected correctly.
3. Turn on the monitor and then the system unit. Allow your computer to start the Windows 7 operating system.
4. Open the **Display Properties** window by clicking **Start, Control Panel, Hardware and Sound** icon.
5. Click the **Display** icon.
6. Click the **Adjust Resolution** button.
7. Click the **Advanced Settings** icon.
8. Click the **Monitor** tab.
9. Click the **Properties** button.
10. Click the **Driver** tab.
11. Open the "**Update Driver Software-Generic PnP Monitor**" window by clicking on **Update Driver** and then click the "**Browse my computer for driver software**" button.
12. Select "**Let me pick from a list of device drivers on my computer**".
13. Insert the Lenovo Monitor CD into the CD drive and click the **Have Disk** button.
14. Click on the **Browse** button and navigate to the following directory:  
X:\Monitor Drivers\ (where X is the drive letter designator for the CD-ROM drive).
15. Select the "**tio24Gen4.inf**" file and click the **Open** button. Click the **OK** button.
16. Select **TIO24Gen4** and click **Next**. The files will be copied from the CD to your hard disk drive.
17. Close all open windows and remove the CD.
18. Restart the computer.

The system will automatically select the maximum refresh rate and corresponding color matching profiles.

**Note:** On LCD monitors, unlike CRTs, a faster refresh rate does not improve display quality. Lenovo recommends using either 1920 x 1080 at a refresh rate of 60 Hz, or 640 x 480 at a refresh rate of 60 Hz.

## Installing the monitor driver in Windows 10

To use the Plug and Play feature in Microsoft Windows 10, do the following:

**Note:** You must download files from the Lenovo Monitor CD or the Lenovo website <https://pcsupport.lenovo.com/solutions/tio24gen4> to use the Plug and Play feature in Windows 10.

1. Turn off the computer and all attached devices.
2. Ensure that the monitor is connected correctly.
3. Turn on the monitor and then turn on the computer. Allow your computer to boot into Windows 10 operating system.
4. On the **Desktop**, move mouse to low-right corner of screen, choose **Setting**, double click **Control Panel**, then double click the icon of **Hardware and Sound**, and then clicking **Display**.
5. Click the **Change the display settings** tab.
6. Click the **Advanced Settings** icon.
7. Click the **Monitor** tab.
8. Click the **Properties** button.
9. Click the **Driver** tab.
10. Click **Update Driver**, then click **Browse the computer** to find the driver program.
11. Select **Pick from the list of device driver program** on the computer.
12. Click the **Have Disk** button. Click the **Browse** button and navigate to the following directory:  
X:\Monitor Drivers (where X is the drive letter designator for the CD-ROM drive).
13. Select the "**tio24Gen4.inf**" file and click the **Open** button. Click the **OK** button.
14. Select **TIO24Gen4** and click **Next**. The files will be copied from the CD to your hard disk drive.
15. Close all open windows and remove the CD.
16. Restart the system. The system will automatically select the maximum refresh rate and corresponding Color Matching Profiles.

**Note:** On LCD monitors, unlike CRTs, a faster refresh rate does not improve display quality. Lenovo recommends using either 1920 x 1080 at a refresh rate of 60 Hz, or 640 x 480 at a refresh rate of 60 Hz.

### Getting further help

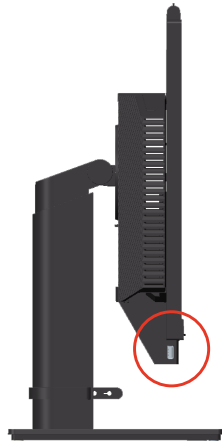
If you still can't solve your problem, please contact the Lenovo Support Center. For more information on contacting the Support Center, please see Appendix A. "Service and Support" on page A-1

---

## Service information

### Product numbers

The product number for your monitor is located on the side of the display bezel as shown below.



### Customer responsibilities

The warranty does not apply to a product which has been damaged due to accident, misuse, abuse, improper installation, usage not in accordance with product specifications and instructions, natural or personal disaster, or unauthorized alterations, repairs or modifications.

The following are examples of misuse or abuse and not covered by warranty:

- Images burned on to the screen of a CRT monitor. Burned image is preventable by utilizing a moving screen saver or power management.
- Physical damage to covers, bezel, base and cables.
- Scratches or punctures on monitor screens.
- Pivot the monitor when working in AIO mode.

### Getting further help

If you still can't solve your problem, please contact the Customer Support Centre. For more information on contacting the Customer Support Centre, please see Appendix A. "Service and Support" on page A-1.

## Service parts

The following parts are for use by Lenovo service, or Lenovo authorized dealers to support the customer warranty. Parts are for service use only. The table below shows information for model A20TIO24.

Table 3-3. List of service parts

<b>FRU (Field Replaceable Unit) Part number</b>	<b>Description</b>	<b>Machine Type Model (MTM)</b>	<b>Color</b>
5D10Z27865	TIO24Gen4-Monitor (23.8inch Monitor, DP& 3in1 port)	11GD	Raven Black
00PC758	90w Power Brick (DT&AIO Common 90W)	11GD, 11GE	Raven Black
5D10Z31314	TIO24Gen4-Monitor (23.8inch Monitor, DP& 3in1 port, IR camera)	11GE	Raven Black
5SE0Z25140(share TIOGen4Touch)	TIO24Gen4-Monitor - FRU Stand and Base	11GD,11GE	Raven Black

---

## Appendix A. Service and Support

The following information describes the technical support that is available for your product, during the warranty period or throughout the life of the product. Refer to your Lenovo Statement of Limited Warranty for a fully explanation of Lenovo warranty terms.

---

### Registering your option

Register to receive product service and support updates, as well as free and discounted computer Accessories and content. Go to: <http://www.lenovo.com/support>

---

### Online technical support

Online technical support is available during the lifetime of a product at:  
<http://www.lenovo.com/support>

Product replacement assistance or exchange of defective components also is available during the warranty period, assistance for replacement or exchange of defective components is available. In addition, if your option is installed in a Lenovo computer, you might be entitled to service at your location. Your technical support representative can help you determine the best alternative.

---

### Telephone technical support

Installation and configuration support through the Customer Support Centre will be withdrawn or made available for a fee, at Lenovo's discretion, 90 days after the option has been withdrawn from marketing. Additional support offerings, including step-by-step installation assistance, are available for a nominal fee.

To assist the technical support representative, have available as much of the following information as possible:

- Option name
- Flat Panel Monitor
- Option number
- Proof of purchase
- Computer manufacturer, model, serial number, and manual
- Exact wording of the error message (if any)
- Description of the problem
- Hardware and software configuration information for your system

If possible, be at your computer. Your technical support representative might want to walk you through the problem during the call.

## Worldwide telephone list

Phone numbers are subject to change without notice. For the most current phone numbers, go to <http://www.lenovo.com/support/phone>

Country or Region	Telephone Number
Africa	Africa: +44 (0) 1475-555-055 South Africa: +27-11-3028888 and 0800110756 Central Africa: Contact the nearest Lenovo Business Partner
Argentina	0800-666-0011 (Spanish)
Australia	131-426 (English)
Austria	Warranty service and support: 01-211-454-610 (German )
Belgium	Warranty service and support: 02-225-3611 (Dutch, French)
Bolivia	0800-10-0189 ( Spanish)
Brazil	Sao Paulo region: (11) 3889-8986 Outside Sao Paulo region: 0800-701-4815 (Brazilian Portuguese)
Brunei	801-1041 (English, Bahasa Melayu)
Canada	Toronto:416-383-3344 Outside Toronto: 1-800-565-3344 (English, French)
Chile	Toll Free: 188-800-442-488 800-361-213 (Spanish)
China	86-10-58851110 800-990-8888 (Mandarin)
China (Hong Kong S.A.R.)	(852)3071-3561 (Cantonese, English, Mandarin)
China (Macau S.A.R.)	ThinkCentre Commercial PC: 795-9892 Multimedia Home PC: 0800-336 (Cantonese, English, Mandarin)
Colombia	1-800-912-3021 (Spanish)
Costa Rica	0-800-011-1029 (Spanish )
Croatia	0800-0426
Cyprus	+357-22-841100
Czech Republic	+420-2-7213-1316
Denmark	Warranty service and support: 7010-5150 (Danish)
Dominican Republic	1-866-434-2080 (Spanish)
Ecuador	1-800-426911(Spanish)
Egypt	+202-35362525
El Salvador	800-6264 (Spanish)
Estonia	+372 6776793 +372 66 00 800
Finland	Warranty service and support: +358-800-1-4260 (Finnish)



Country or Region	Telephone Number
France	Warranty service and support (hardware): 0810-631-213 Warranty service and support (software): 0810-631-020 (French)
Germany	Warranty service and support: 01805-00-46-18 (German)
Greece	+30-210-680-1700
Guatemala	1800-624-0051 (Spanish)
Honduras	Tegucigalpa: 232-4222 San Pedro Sula: 552-2234 (Spanish)
Hungary	+36-1-382-5716 +36-1-382-5720 (English, Hungarian)
India	1800-425-2666 +91-80-2535-9182 (English)
Indonesia	021 5238 823 Local number only: 001-803-606-282 DID (Direct Inward Dialing): +603 8315 6859 (English, Bahasa Indonesia)
Ireland	Warranty service and support: 01-881-1444 (English)
Israel	Givat Shmuel Service and Center: +972-3-531-3900 (Hebrew, English)
Italy	Warranty service and support: +39-800-820094 (Italian)
Japan	Toll Free: 0120-20-5550 International: +81-46-266-4716 The above numbers will be answered with a Japanese language voice prompt. For telephone support in English, please wait for the Japanese voice prompt to end, and an operator will answer. Please say "English support please", and your call will be transferred to an English-speaking operator. PC software: 0120-558-695 Overseas calls: +81-44-200-8666(Japanese)
Kazakhstan	Call center: +77273231427(Standard charges Apply) (Russian, English)
Kingdom of Saudi Arabia	800 85 000 52 (Standard Charges Apply)
Korea	1588-6782 (Korea)
Latvia	+371 7070360
Lithuania	+370 5 278 66 00
Luxembourg	+352-360-385-343(French)
Malaysia	Local number only: 1800-88-1889 DID: +603 8315 6855 (English, Bahasa Melayu)
Malta	+35621445566
Mexico	001-866-434-2080(Spanish)
Middle East	+44 (0)1475-555-055
Netherlands	+31-20-514-5770 (Dutch)
New Zealand	0800-733-222 (English)
New Zealand	001-800-220-1830 (Spanish)

Country or Region	Telephone Number
Norway	Warranty service and support: 8152-1550(Norwegian)
Panama	Lenovo Customer Support Center: 001-866-434-2080 (Toll Free) 206-6047(Spanish)
Peru	0-800-50-866 (Spanish)
Philippines	1800-1601-0033 (English, Filipino)
Poland	+48-22-878-6999 (Polski)
Portugal	+351-21-892-7046 (Portuguese)
Romania	+4-021-224-4015
Russia	Moscow: +7-(495)-258-6300 Toll Free: +8-800-200-6300 (Russian)
Singapore	Local number only: 800-6011-343 DID: +603 8315 6859 (English)
Slovakia	+421-2-4954-5555
Slovenia	+386-1-200-50-60 (Slovenian)
Spain	91-714-7983,0901-100-000 (Spanish)
Sri Lanka	+9411 2493547 +9411 2493548 (English)
Sweden	Warranty service and support: 077-117-1040 (Swedish)
Switzerland	Warranty service and support: 0800-55-54-54 (German, French, Italian)
Taiwan	886-2-8723-9799,0800-000-700 (Mandarin)
Thailand	Local number only: 1-800-060-066 66 2273 4088 DID: +603 8315 6857 (Thai, English)
Turkey	02123360366 00800448825165 (Turkish)
Ukraine	044 362 42 81 (Standard Charges Apply)
United Arab Emirates	800035702810 (Standard Charges Apply)
United Kingdom	Standard warranty support: 08705-500-900 (English)
United States	1-800-426-7378 (English)
Uruguay	000-411-005-6649 (Spanish)
Venezuela	0-800-100-2011 (Spanish)
Vietnam	For Northern Area and Hanoi City: 844 3 946 2000 or 844 3 942 6457 For Southern Area and Ho Chi Minh City: 848 3 829 5160 or 844 3 942 6457(Vietnamese, English)

---

## Appendix B. Notices

Lenovo may not offer the products, services, or features discussed in this document in all countries. Consult your local Lenovo representative for information on the products and services currently available in your area. Any reference to a Lenovo product, program, or service is not intended to state or imply that only that Lenovo product, program, or service may be used. Any functionally equivalent product, program, or service that does not infringe any Lenovo intellectual property right may be used instead. However, it is the user's responsibility to evaluate and verify the operation of any other product, program, or service.

Lenovo may have patents or pending patent applications covering subject matter described in this document. The furnishing of this document does not give you any license to these patents. You can send license inquiries, in writing, to:

*Lenovo (United States), Inc.  
1009 Think Place - Building One  
Morrisville, NC 27560  
U.S.A.  
Attention: Lenovo Director of Licensing*

LENOVO PROVIDES THIS PUBLICATION "AS IS" WITHOUT WARRANTY OF ANY KIND, EITHER EXPRESS OR IMPLIED, INCLUDING, BUT NOT LIMITED TO, THE IMPLIED WARRANTIES OF NON-INFRINGEMENT, MERCHANTABILITY OR FITNESS FOR A PARTICULAR PURPOSE.

Some jurisdictions do not allow disclaimer of express or implied warranties in certain transactions, therefore, this statement may not apply to you.

This information could include technical inaccuracies or typographical errors. Changes are periodically made to the information herein; these changes will be incorporated in new editions of the publication. Lenovo may make improvements and/or changes in the product(s) and/or the program(s) described in this publication at any time without notice.

The products described in this document are not intended for use in implantation or other life support applications where malfunction may result in injury or death to persons. The information contained in this document does not affect or change Lenovo product specifications or warranties. Nothing in this document shall operate as an express or implied license or indemnity under the intellectual property rights of Lenovo or third parties. All information contained in this document was obtained in specific environments and is presented as an illustration. The result obtained in other operating environments may vary.

Lenovo may use or distribute any of the information you supply in any way it believes appropriate without incurring any obligation to you.

Any references in this publication to non-Lenovo Web sites are provided for convenience only and do not in any manner serve as an endorsement of those Web sites. The materials at those Web sites are not part of the materials for this Lenovo product, and use of those Web sites is at your own risk.

Any performance data contained herein was determined in a controlled environment. Therefore, the result obtained in other operating environments may vary significantly. Some measurements may have been made on development-level systems and there is no guarantee that these measurements will be the same on generally available systems. Furthermore, some measurements may have been estimated through extrapolation. Actual results may vary. Users of this document should verify the applicable data for their specific environment.

---

## Recycling information

Lenovo encourages owners of information technology (IT) equipment to responsibly recycle their equipment when it is no longer needed. Lenovo offers a variety of programs and services to assist equipment owners in recycling their IT products. For information on recycling Lenovo products, go to <http://www.lenovo.com/recycling>. The latest environmental information about our products is available at <http://www.lenovo.com/ecodeclaration>.

環境配慮に関して

本機器またはモニターの回収リサイクルについて

企業のお客様が、本機器が使用済みとなり廃棄される場合は、資源有効利用促進法の規定により、産業廃棄物として、地域を管轄する県知事あるいは、政令市長の許可を持った産業廃棄物処理業者に適正処理を委託する必要があります。また、弊社では資源有効利用促進法に基づき使用済みパソコンの回収および再利用・再資源化を行う「PC回収リサイクル・サービス」を提供しています。詳細は、<http://www.ibm.com/jp/pc/service/recycle/pcrecycle/> をご参照ください。

また、同法により、家庭で使用済みとなったパソコンのメーカー等による回収再資源化が2003年10月1日よりスタートしました。詳細は、<http://www.ibm.com/jp/pc/service/recycle/pcrecycle/> をご参照ください。

重金属を含む内部部品の廃棄処理について

本機器のプリント基板等には微量の重金属（鉛など）が使用されています。使用後は適切な処理を行うため、上記「本機器またはモニターの回収リサイクルについて」に従って廃棄してください。

## Collecting and recycling a disused Lenovo computer or monitor

If you are a company employee and need to dispose of a Lenovo computer or monitor that is the property of the company, you must do so in accordance with the Law for Promotion of Effective Utilization of Resources. Computers and monitors are categorized as industrial waste and should be properly disposed of by an industrial waste disposal contractor certified by a local government. In accordance with the Law for Promotion of Effective Utilization of Resources, Lenovo Japan provides, through its PC Collecting and Recycling Services, for the collecting, reuse, and recycling of disused computers and monitors. For details, visit the Lenovo Web site at

[www.ibm.com/jp/pc/service/recycle/pcrecycle/](http://www.ibm.com/jp/pc/service/recycle/pcrecycle/). Pursuant to the Law for Promotion of Effective Utilization of Resources, the collecting and recycling of home-used computers and monitors by the manufacturer was begun in October 1, 2003. This service is provided free of charge for home-used computers sold after October 1, 2003. For details, visit the Lenovo Web site at:

[www.ibm.com/jp/pc/service/recycle/personal/](http://www.ibm.com/jp/pc/service/recycle/personal/).

---

## Disposing of Lenovo computer components

Some Lenovo computer products sold in Japan may have components that contain heavy metals or other environmental sensitive substances. To properly dispose of disused components, such as a printed circuit board or drive, use the methods described above for collecting and recycling a disused computer or monitor.

---

## **Turkish statement of compliance**

The Lenovo product meets the requirements of the Republic of Turkey Directive on the Restriction of the Use of Certain Hazardous Substances in Electrical and Electronic Equipment (EEE).

### **Türkiye EEE Yönetmeliğine Uygunluk Beyanı**

Bu Lenovo ürünü, T.C. Çevre ve Orman Bakanlığı'nın "Elektrik ve Elektronik Eşyalarda Bazı Zararlı Maddelerin Kullanımının Sınırlandırılmasına Dair Yönetmelik (EEE)" direktiflerine uygundur.

EEE Yönetmeliğine Uygundur.

---

## **Trademarks**

The following terms are trademarks of Lenovo in the United States, other countries, or both:

- Lenovo
- The Lenovo logo
- ThinkCentre
- The ThinkCentre logo
- ThinkVision

Microsoft and Windows are trademarks of the Microsoft group of companies. DisplayPort is a trademark of the Video Electronics Standards Association. Other company, product, or service names may be trademarks or service marks of others.

---

## **Power cords and power adapters**

Use only the power cords and power adapters supplied by the product manufacturer. Do not use the ac power cord for other devices.

<b>Information published</b>	<b>Value and precision</b>	<b>Value and precision</b>	<b>Unit</b>
Manufacturer's name or trade mark, commercial registration number and address	Lenovo (Beijing) Limited	Lenovo (Beijing) Limited	-
Model identifier	ADL135NDC3A	ADP-90XD B	-
Input voltage	100-240	100-240	V
Input AC frequency	50-60	50-60	Hz
Output voltage	20DC	20DC	V
Output current	6.75	4.5	A
Output power	135	90	W
Average active efficiency	90	88	%
No-load power consumption	0.2	0.21	W

## Free Manuals Download Website

<http://myh66.com>

<http://usermanuals.us>

<http://www.somanuals.com>

<http://www.4manuals.cc>

<http://www.manual-lib.com>

<http://www.404manual.com>

<http://www.luxmanual.com>

<http://aubethermostatmanual.com>

Golf course search by state

<http://golfingnear.com>

Email search by domain

<http://emailbydomain.com>

Auto manuals search

<http://auto.somanuals.com>

TV manuals search

<http://tv.somanuals.com>