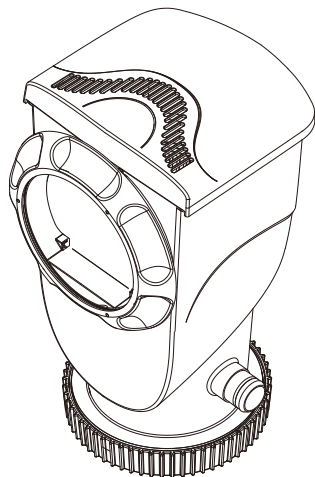


SUMMER WAVES® SKIMMERPLUS® FILTER PUMP

FOR ABOVE GROUND SWIMMING POOLS

SFX600 / SFX1000 / SFX1500 models



READ AND KEEP THESE INSTRUCTIONS FOR FUTURE REFERENCE

For answers to common questions, setup videos and troubleshooting tips, please visit support.polygroupstore.com or call Customer Service: (888) 919-0070

DO NOT RETURN PRODUCT TO STORE

To order parts and accessories, please visit www.polygroupstore.com

Should you encounter a problem with your Polygroup® Product, please do not return the product to the place of purchase. All Warranty claims must be made directly to Polygroup®. Prior to contacting Customer Service, please first review the Troubleshooting Guide in the Installation Manual, or review the FAQ and instructional videos at support.polygroupstore.com. If you are still unable to correct the problem, please contact Polygroup® customer service at (888) 919-0070. Please have the product type, model number and your purchase receipt ready, so that our Customer Service Representative can assist you in resolving the problem. You may be asked to return all or part of the product for inspection and/or repair. Do not return any product to Polygroup® without a Return Merchandise Authorization number.

LIMITED WARRANTY

Polygroup® Trading Limited, (hereinafter "Polygroup®") warrants to the original purchaser only, the SFX type Electric Filter Pump against defects in material and workmanship for 180 days from the date of purchase. Original Purchaser must retain proof of such purchase in the form of an original store sales receipt and must produce such upon request by Polygroup® or its designated agents. Warranty claims cannot be processed without a valid proof of purchase. This Limited Warranty applies only to the original purchaser of the product and is limited solely to the repair or replacement of the product, to be decided in Polygroup®'s sole discretion. Consequential damages, including claims for loss of water, pool chemicals, damage, or labor are not covered under this Limited Warranty. This Warranty will be declared invalid should the Purchaser modify or repair the product themselves or by unauthorized persons; use non-Polygroup® parts or accessories with the product; use the product in contravention of the manufacturer's Instructions; use improper voltage; abuse the product in any way; or through accident or negligence. Normal wear-and-tear is not covered under this Warranty, nor are acts of God outside the control of Polygroup®. Polygroup® will not be held responsible for grasses that may grow through the ground cloth and/or pool liner, as this is not a manufacturing defect.

IN NO EVENT SHALL Polygroup®, THEIR AUTHORIZED AGENTS, RELATED ENTITIES, OR EMPLOYEES BE LIABLE TO THE BUYER OR ANY OTHER PARTY FOR DIRECT OR CONSEQUENTIAL DAMAGES. Some states or countries, or other jurisdictions, do not allow the exclusion or limitation of incidental or consequential damages, so the above limitation or exclusion may not apply to you.

TABLE OF CONTENTS

Warnings	3 ~6
Preliminary Steps, Important Notes & Pump Power Info	7
Parts List	7 ~ 8
Setup Instructions, Use of Pump	9 ~ 10
Motor Care, Pump Maintenance	11
Filter Cartridge Use & Care	11
Pool Water Care	12
Pump Disassembly & Storage.....	12 ~ 13
Pump Servicing Instructions	13 ~ 16
Troubleshooting Guide	17
Replacement Parts Ordering Info	18

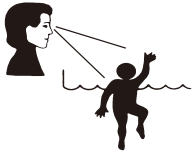
IMPORTANT SAFETY INSTRUCTIONS

When installing and using this electrical equipment, basic safety precautions should always be followed, including the following:

READ AND FOLLOW ALL INSTRUCTIONS

Keep for Future Reference. Failure to follow these warnings and instructions can result in serious injury or death to users, especially children.

WARNING



DANGER

PREVENT DROWNING!

CLOSELY WATCH CHILDREN WHO ARE IN OR NEAR THIS POOL. CHILDREN UNDER 5 ARE AT HIGHEST RISK FOR DROWNING. EMPTY POOL OR PREVENT ACCESS WHEN NOT IN USE.

NO DIVING!
SHALLOW WATER
YOU CAN BREAK
YOUR NECK AND BE
PARALYZED.

WARNING

**DO NOT SIT ON
OR LAY OVER
POOL WALL**
YOU CAN BE PERMANENTLY
INJURED.

AVOID ENTRAPMENT!
STAY AWAY FROM DRAINS & SUCTION
FITTINGS. YOUR HAIR, BODY & JEWELRY
CAN GET SUCKED INTO DRAIN. YOU COULD
BE HELD UNDER WATER & DROWN. DO NOT
USE POOL IF DRAIN OR SUCTION OUTLET
COVER IS MISSING OR BROKEN.

NOTICE: CUSTOMERS THAT PURCHASE POOLS MAY BE REQUIRED BY LOCAL OR STATE LAW TO INCUR ADDITIONAL EXPENSES WHEN INSTALLING A POOL, IN ORDER TO COMPLY WITH STATE OR LOCAL LAWS REGARDING FENCING AND OTHER SAFETY REQUIREMENTS. CUSTOMERS SHOULD CONTACT THEIR LOCAL BUILDING CODE ENFORCEMENT OFFICE FOR FURTHER DETAILS. POLYGROUP® IS NOT RESPONSIBLE FOR ANY ADDITIONAL EXPENSES THAT YOU MAY INCUR.

Safety Care for Children

1. Children, especially children younger than five years, are at high risk of drowning. Drowning occurs silently and quickly and can occur in as little as 2 in (5 cm) of water.
2. Keep children in your direct sight, stay close, and actively supervise them when they are in or near this pool and when you are filling and emptying this pool.
3. When searching for a missing child, check the pool first, even if the child is thought to be in the house.
4. Locate pumps and filters in such a way that children cannot climb on them and gain access to the pool.
5. **WARNING:** To reduce the risk of injury, do not permit children to use this product unless they are closely supervised at all times.

Swimming Pool Barriers

Very Important:

Swimming pool barriers, which restrict access to the pool by small children, may be required by law. A barrier is necessary to provide protection against potential drowning and near drowning. Barriers are not a substitute for constant supervision of children. Check state or local laws and codes before setting up pool.

Swimming Pool Equipment

1. The use of artificial pool lighting is at the discretion of the pool owner. Lighting, when installed, should be in accordance with Article 680 of the National Electrical Code (NEC) or its latest approved edition and in consultation with a licensed electrical professional.
2. Keep all electrical lines, radios, speakers, and other electrical appliances away from the pool.
3. Do not place pool near or under overhead electrical lines.
4. All electrical components installed in and/or adjacent to an aboveground/onground residential swimming pool shall be installed in accordance with and shall comply with the requirements of the latest published edition of NFPA 70, National Electrical Code (NEC®) Article 680 "Swimming Pools, Fountains, and Similar Installations", and any state or local code.

Filter Pump Awareness

1. **WARNING:** Risk of Electric Shock. Connect only to a grounding type receptacle. This product is provided with a ground-fault circuit-interrupter. If replacement of the plug or cord is needed, use only identical replacement parts.
2. **WARNING:** To reduce the risk of electric shock, replace damaged cord immediately.
3. **WARNING:** To reduce the risk of electric shock, do not use extension cord to connect unit to electric supply; provide a properly located outlet.
4. **CAUTION:** To reduce the risk of electric shock, the pool must be installed no closer than 6 feet (1.8m) from any electrical outlet. Do not place portable appliances closer than 5 feet (1.5m) from the pool.
5. **CAUTION:** This pump is for use with storable pools only. Do not use with permanently-installed pools. A storable pool is constructed so that it is capable of being readily disassembled for storage and reassembled to its original integrity. A permanently-installed pool is constructed in or on the ground or in a building such that it cannot be readily disassembled for storage.

Should you encounter any problems, contact Customer Service at (888) 919-0070 from 8AM to 5PM MST, Monday-Friday.
Extended operating days and hours during peak season requirements.

6. **CAUTION:** For continued protection against possible electric shock, this unit is to be mounted to the base in accordance with the installation instructions.
7. Do not bury cord. Locate cord to minimize abuse from lawn mowers, hedge trimmers, and other equipment.
8. The unit is provided with a ground-fault circuit-interrupter (GFCI). To test the GFCI, push the test button. The GFCI should interrupt power. Push the reset button. Power should be restored. If the GFCI fails to operate in this manner, the GFCI is defective. If the GFCI interrupts power to the pump without the test button being pushed, a ground current is flowing, indicating the possibility of an electric shock. Do not use this pump. Disconnect the pump, and have the problem corrected by a qualified service representative before using.
9. The Filter Pump is to be assembled by an adult; care should be taken in the unpacking and assembling of the Filter Pump. This pool may contain accessible potentially hazardous sharp edges or sharp points that are a necessary part of the function of the Filter Pump.
10. If a drain or suction outlet cover is missing or broken, do not use the pool. Suction can cause body part entrapment, hair and jewelry entanglement, evisceration, or drowning. Repair or replace the drain or suction outlet cover before allowing the pool to be used. During nighttime pool use, artificial lighting shall be used to illuminate all safety signs, ladders, steps, deck surfaces, and walks.
11. The floor of the pool shall be visible at all times from the outside perimeter of the pool.
12. Post a list of emergency telephone numbers such as the nearest available police, fire, ambulance, and/or rescue unit. These numbers are to be kept near the telephone, which is closest to the pool.
13. Basic lifesaving equipment, including one of the following should be on hand at all times:
 - A light, strong, rigid pole (shepherd's crook) not less than twelve feet (12') [366cm] long.
 - A minimum one-fourth inch ($\frac{1}{4}$ " [6.35 mm] diameter rope as long as one and one half ($1\frac{1}{2}$) times the maximum width of the pool or fifty feet (50') [15.24 meters], whichever is less, which has been firmly attached to a Coast Guard-approved ring buoy having an outside diameter of approximately fifteen inches (15") [38.1 cm], or similarly approved flotation device.
14. Pool shall be located at a minimum distance of 6ft (1.83m) from any receptacle, and all 125-volt 15- and 20-ampere receptacles located within 20ft (6.0m) of the pool shall be protected by a ground fault circuit interrupter (GFCI), where distances are by measuring the shortest path the supply cord of an appliance connected to the receptacle would follow, without piercing a floor, wall, ceiling, doorway with hinged or sliding door, window opening, or other effective permanent barrier, to the inside pool wall.

Circulation Systems

1. Installers shall follow written instructions regarding positioning of all equipment connected to the circulation systems.
2. The installer shall follow written instructions provided for operating the circulation system components.
3. All circulation system components and pump that require replacement or servicing shall be installed according to the pump's instruction manual.
4. Circulation equipment shall be installed per manufacturer's instructions to provide proper mounting and support, to prevent damage from misalignment, settlement, and vibration, and to minimize the potential for the accumulation of debris and moisture. Please refer to pump's instruction manual.

Chemicals

For safety sake, ensure the deepest part of the pool is always visible. The user must properly maintain the clarity of the pool water at all times. Check the pH and chlorine levels periodically and make sure they are within the recommended limits. Additional water treatment chemicals might be needed from time to time. Have the water sample tested by a local pool supply store to determine if additional chemical is needed. Turn on the pump for the recommended hours daily. If you are unsure of the time frames please refer to support.polygroupstore.com for the recommended Pump Operation Hours based on pool types and sizes. Clean and replace filter cartridge frequently. Replace only with genuine Polygroup® / Summer Waves® Brand filter cartridge. Refer to the Filter Pump manual for additional water care information.

Entrapment Risk

1. **Entrapment Avoidance:** There shall be no protrusions or other obstruction in the swimming area, which may cause entrapment or entanglement of the user. If a suction outlet cover is missing or broken, do not use the pool. Suction can cause body part entrapment, hair and jewelry entanglement, evisceration, or drowning. Repair or replace the suction outlet cover before allowing the pool to be used.
2. **DANGER! TO AVOID SERIOUS INJURY OR DEATH, CLOSE THE POOL OR SPA TO BATHERS IF ANY SUCTION OUTLET COVER/GRATE IS MISSING, BROKEN, OR INOPERATIVE.**
3. Never play or swim near drains or suction fittings. Your body or hair may be trapped causing permanent injury or drowning.
4. Never enter the pool or spa if a suction fitting or drain cover is loose, broken, or missing.
5. Immediately notify the pool/spa owner or operator if you find a drain cover loose, broken, or missing.

Drowning Risk

1. Keep unsupervised children from accessing the pool by installing fencing or other approved barriers around all sides of pool. State or local laws or codes may require fencing or other approved barriers. Check state or local laws and codes before setting up pool.
2. Toys, chairs, tables, or similar objects that a young child could climb shall be at least four feet (4') [121.92 cm] from the pool. The pump filter system shall be positioned so as to prevent it being used as a means of access to the pool by young children. Do not leave toys inside pool when finished using, since toys and similar items might attract a child to the pool.
3. Position furniture (for example: tables, chairs) away from pool and so that children cannot climb on it to gain access to the pool.

Electrocution Risk

1. Keep all electrical lines, radios, speakers, and other electrical appliances away from the pool.
2. Do not place pool near or under overhead electrical lines.

First Aid

1. Keep a working phone and a list of emergency numbers near the pool.
2. Become certified in cardiopulmonary resuscitation (CPR). In the event of an emergency, immediate use of CPR can make a lifesaving difference.

Special Warning

1. Local building codes may require obtaining a building or electrical permit. Installer shall follow regulations on setback, barriers, devices, and other conditions.
2. Safety signs shall comply with requirements of ANSI-Z535 and use signal wording.
3. DO NOT attempt to assemble this pool in adverse weather conditions, windy conditions, or when the temperature is below 60°F.
4. This is a storable filter pump, which should be disassembled and stored when temperatures are expected to fall below 32°F.

Extra Safety Warning

1. Adult supervision is always required.
2. Parents should learn CPR.
3. Keep all electrical radios, speakers, and other appliances away from the swimming pool.
4. When you touch the filter, pump, or electrical parts, be sure the ground under your feet is "Bone Dry."
5. All electrical outlets should have a GFCI, and connections should be a minimum of 6 feet (1.83 m) from the outside perimeter of the wall of the pool.
From 6–10 feet (1.83–3.05 m), there should be either a fixed connection (outlet box) or twistlock connection with a GFCI.
6. Connect power cords to a 3-wire grounding-type outlet only.
7. Keep all breakable objects out of the pool area.
8. Alcohol consumption and pool activities do not mix. Never allow anyone to swim, dive, or slide under the influence of alcohol or drugs.
9. Severe electrical shock could result if you install your pump or filter on a deck. The pump or filter could fall into the water, causing severe shock or electrocution.
10. Do not install on a deck or other surface at, above, or slightly below the top rail of the pool.
11. Do not use the filter pump during severe weather conditions, i.e. electrical storms, tornadoes, etc.
12. Be aware of overhead power lines when vacuuming your pool or using a telescoping pole.
13. Check regularly for signs of wear or loose bolts that could make the deck unsafe.
14. Please contact pool site dealer or manufacturer for additional safety signs if deemed necessary.
15. For pool service, select a certified pool professional. For additional safety information, see www.APSP.org

Consumer Awareness Booklets and Information Source

Contact: U.S. Consumer Product Safety Commission at www.cpsc.gov/safety-education/safety-guides/pools-and-spas, Pub. #362 "Safety Barrier Guidelines for Home Pools."

1. The Sensible Way to Enjoy Your Aboveground/Onground Swimming Pool.
2. Children Aren't Waterproof.
3. Layers of Protection.
4. Pool and Spa Emergency Procedures for Infants and Children.
5. Be Safety Aware.

Copies of the above brochures are available free from the APSP at www.APSP.org

Safety Education Programs and Materials

Educational programs and materials (i.e., seminars, workshops, brochures, videos, instructional guides) are available from the APSP, other aquatic safety groups, and by private firms. As a means of communicating useful safety information to pool owners/operators, and users, industry members are permitted to provide such information to owners/operators and to request or require owners/operators to sign a statement that they have received, read, and will follow the guidelines.

Other sources of safety information:

- www.cdc.gov
- www.cpsc.gov
- www.drowningpreventionalliance.com
- www.nspf.org
- www.safekids.org

ANSI American National Standards Institute

25 West 43rd Street, New York NY 10036

Contact: 212-642-4900

www.ansi.org

APSP Association of Pool & Spa Professionals

(formerly National Spa and Pool Institute)

2111 Eisenhower Avenue, Suite 500

Alexandria VA 22314-4679

Contact: 703-838-0083

www.apsp.org

ASME American Society of Mechanical Engineers

Two Park Avenue, New York NY 10016-5990
Contact: 800-843-2763 (U.S. & Canada) 973-882-1170 (outside North America)
www.asme.org

NSPI National Spa and Pool Institute (see APSP)**UL Underwriters Laboratories**

333 Pfingsten Road, Northbrook IL 60062-2096
Contact: 877-854-3577 or 847-272-8800
www.ul.com

NSF NSF International

P.O. Box 130140
789 N. Dixboro Road
Ann Arbor MI 48105
Contact: 800-673-6275 or 734-769-8010
www.nsf.org

ASTM ASTM International (formerly American Society of Testing & Materials)

100 Barr Harbor Drive, P.O. BOX C700
West Conshohocken, PA 19428-2959
Contact: 877-909-2786 (USA & Canada) or 610-832-9585 (International)
www.astm.org

NEC National Electrical Code (see NFPA)

NFPA National Fire Protection Association
1 Batterymarch Park, Quincy MA 02169-7471
Contact: 800-344-3555 (U.S. & Canada) or 617-770-3000 (International)
www.nfpa.org

Filtration Systems

Any equipment connected to the circulation systems shall be positioned so as to prevent their being used as a means of access to the pool by young children. (See the latest published edition of ANSI/APSP-8 Model Barrier Code for Residential Swimming Pools, Spas, and Hot Tubs.)

Barrier

Barriers are necessary to provide protection against potential drowning and near drowning, and barriers are not a substitute for the constant supervision of children. (See latest published edition of ANSI/APSP-8 Model Barrier Code for Residential Swimming Pools, Spas, and Hot Tubs.)

Risk of Drowning, Entrapment, and Diving Accidents

Publications are available that describe the risk of drowning, entrapment, and diving accidents. Available publications related to pool safety include the Association of Pool and Spa Professionals' (APSP) booklets entitled: The Sensible Way to Enjoy Your Aboveground/Onground Swimming Pool, Children Aren't Waterproof, Pool and Spa Emergency Procedures for Infants and Children, Layers of Protection, and the latest published edition of ANSI/APSP-8 Model Barrier Code for Residential Swimming Pools, Spas, and Hot Tubs.

Installer Responsibilities

All of these components shall be positioned so as to prevent their being used as a means of access to the pool by young children. (See Barrier Code for Residential Swimming Pools, Spas, and Hot Tubs.)

SAVE THESE INSTRUCTIONS

PRELIMINARY STEPS

1. READ ALL INSTRUCTIONS CAREFULLY and get a thorough understanding of what is required to assemble your Filter Pump.
2. It is recommended to have some petroleum jelly (not included) on hand for lubricating the gaskets and o-rings.

FILTER PUMP IMPORTANT NOTES

1. The installer shall follow the written instructions provided for the operation of the filter pump system.
2. All electrical components shall be installed in accordance with Article 680 of the 2017 National Electrical Code® (NEC®) or its latest approved edition.
3. The maximum capacity of 1" diameter chlorine tablets of Polygroup®'s patented Filter Cartridge 7 (U.S. Pat. 7,005,062):
 - a. Type D cartridges: 2
 - b. Type A/C cartridges: 6

Check your chlorine levels to determine the adequate number of chlorine tablets to add. The Cartridge will automatically dispense chlorine into the pool as the Pump runs. You must use a filter cartridge with a central core mesh divider (see p. 8) to dispense chlorine.

The Filter Cartridge 7 is for dispensing 1" chlorine tablets ONLY. DO NOT use this Cartridge to dispense powdered chlorine, shock treatment, or any other types of chemicals as this will damage the pump, filter cartridge and pool.
4. This Filter Pump is manufactured by Polygroup® and ETL control number 4000608 and 4006317 – double insulated and grounded – 120VAC 60Hz. All units must have a minimum of 105VAC to start and run properly.

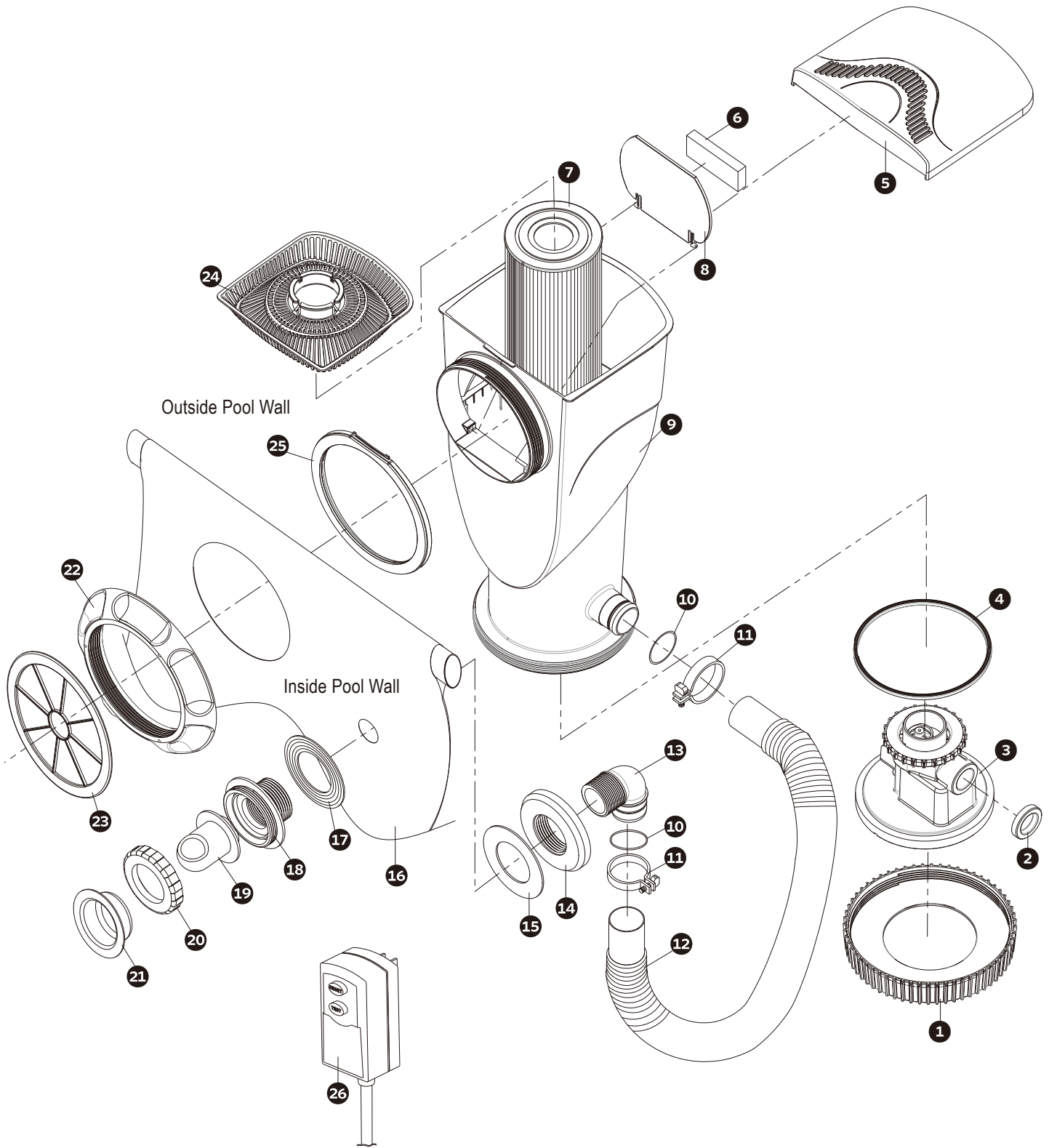
FILTER PUMP POWER INFO

Model	Wattage	Amperage
SFX600	70 Watts	1.7 Amps
SFX1000	115 Watts	1.4 Amps
SFX1500	180 Watts	3.1 Amps

PARTS LIST

Items	Parts Name	Qty.	Items	Parts Name	Qty.
1	Motor Seal Nut	1	14	RF Nut	1
2	Rubber Nozzle	1	15	RF Thrust Washer (white)	1
3	Pump Motor Assembly	1	16	Pool Wall (for reference only)	1
4	Canister Gasket / Motor Seal	1	17	RF Gasket (black)	1
5	Top Cover	1	18	Return Fitting (RF), threaded	1
6	Weir Foam	1	19	RF Diverter, threaded	1
7	Type D Filter Cartridge (SFX600 only)	1	20	RF Locking Ring, threaded	1
	Type A/C Filter Cartridge (SFX1000 or SFX1500)		21	Service Plug	1
8	Weir	1	22	Skimmer Seal Ring	1
9	Skimmer Canister	1	23	Water Stopper	1
10	Hose Connection O-Ring	2	24	SFX Skimmer Strainer Basket	1
11	Hose Clamp	2	25	Skimmer Gasket Rubber Seal	1
12	Return Hose	1	26	GFCI Power Cord Set	1
13	90° Elbow	1			

Should you encounter any problems, contact Customer Service at (888) 919-0070 from 8AM to 5PM MST, Monday-Friday. Extended operating days and hours during peak season requirements.



Should you encounter any problems, contact Customer Service at (888) 919-0070 from 8AM to 5PM MST, Monday-Friday.
 Extended operating days and hours during peak season requirements.

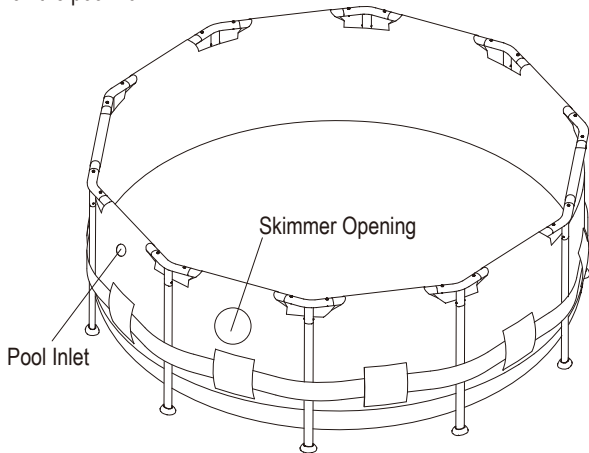
SETUP INSTRUCTIONS

Before assembly, take a few minutes to identify and become familiar with all the parts.

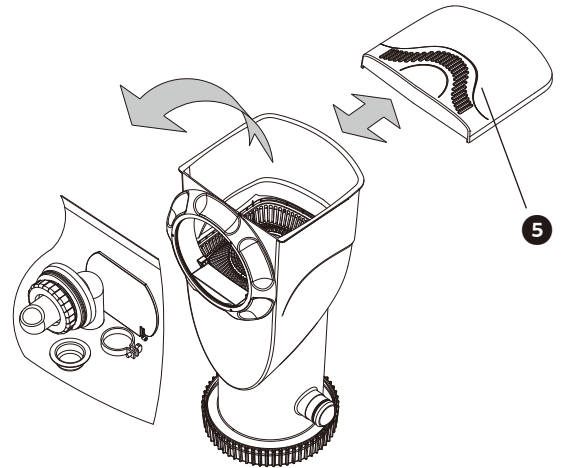
⚠ WARNING: CLIMBING HAZARD! PLEASE PREVENT CHILDREN FROM CLIMBING ON THE FILTER CANISTER TO GAIN ACCESS TO THE POOL.

Skimmer Installation

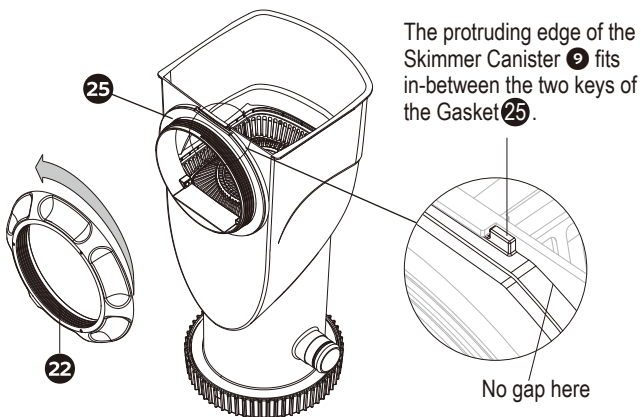
1. Set up your pool following the pool Owner's Manual instructions. Do NOT fill water until the Filter Pump is properly installed. Locate the Skimmer Opening on the pool wall.



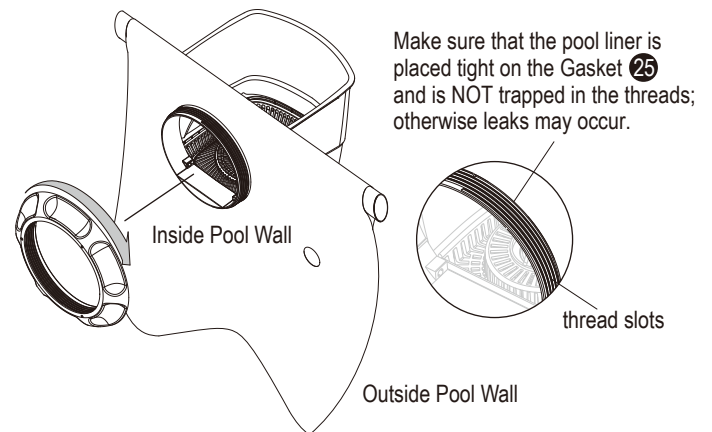
2. Slide open the Top Cover **5** and take out the parts inside.



3. Turn counterclockwise to remove the Skimmer Seal Ring **22**. Make sure the Skimmer Gasket Rubber Seal **25** is in the correct position.

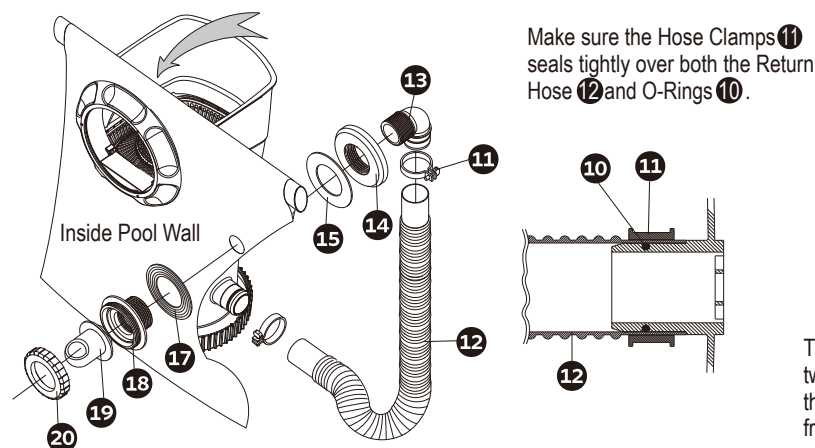


4. Insert the threaded part of the Skimmer Canister **9** through the Skimmer Opening, and then secure with the Skimmer Seal Ring **22**.

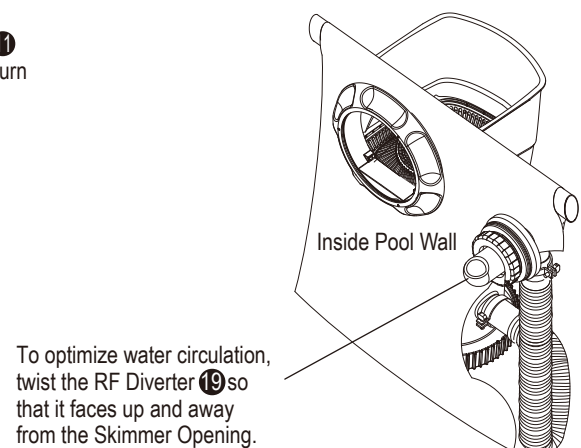


Return Fitting Installation

5. Assemble the Return Fitting **18** as indicated below.



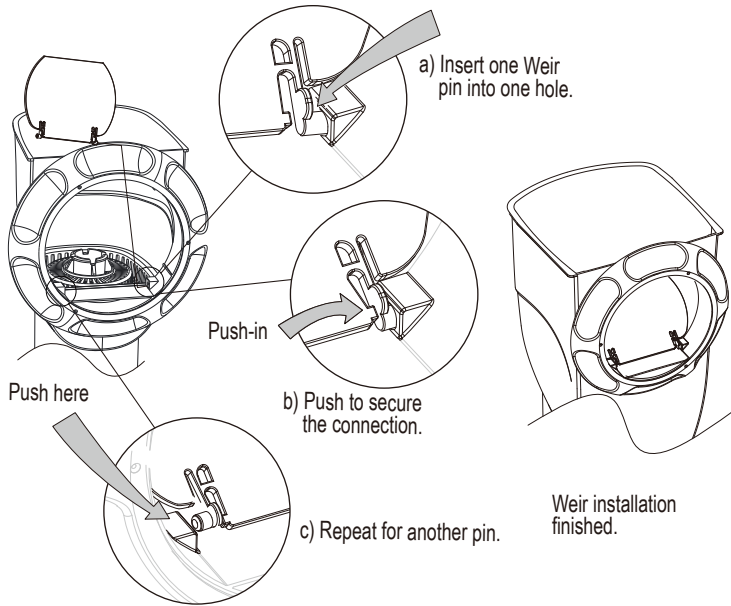
6. Now the Pump should be installed outside the pool wall as below.



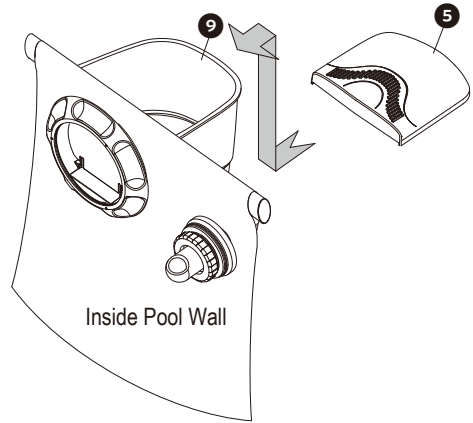
Should you encounter any problems, contact Customer Service at (888) 919-0070 from 8AM to 5PM MST, Monday-Friday. Extended operating days and hours during peak season requirements.

Pump Installation

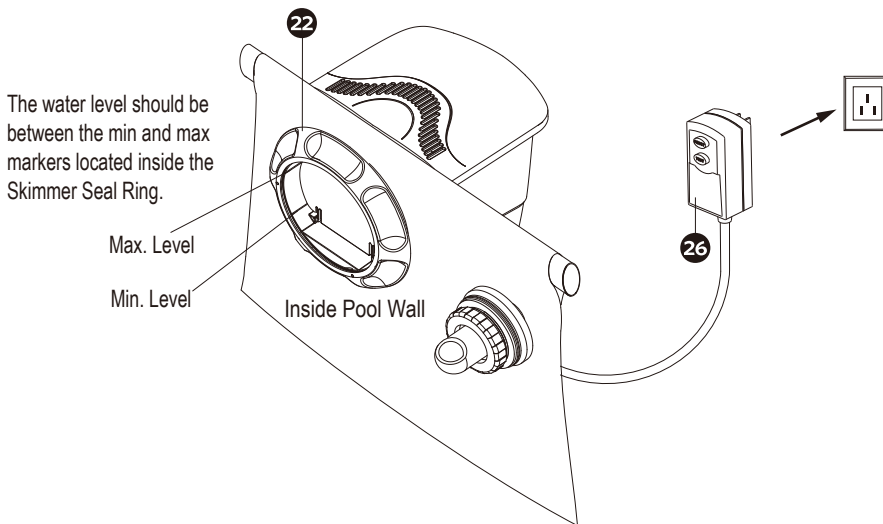
7. From inside the Skimmer Canister **9**, snap the pins of the Weir **8** into the pivot slots, one after another. The Weir should now stand upright but not stuck.



8. Slide close the Top Cover **5** onto the Skimmer Canister **9**.

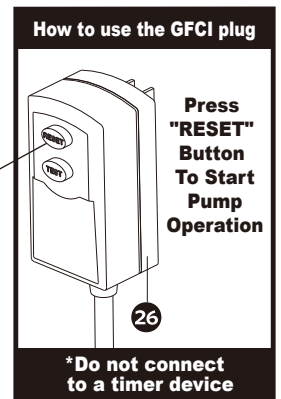
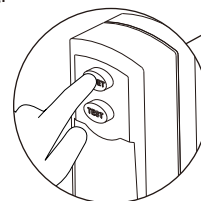


9. You can now fill the pool with water up to between the MIN and MAX markings on the inside of Skimmer Seal Ring **22**.



USE OF PUMP

1. Plug the GFCI Power Cord Set **26** to a properly grounded receptacle at least 15 feet (4.5m) away from the pool.
2. To turn on the Pump, press the RESET button of the GFCI Plug.
3. From inside the pool, check if the water flow from the RF Diverter **19** is correct. It should feel like a solid stream of water returning to the pool. If not, or if you feel a reduction in flow, clean or replace the Filter Cartridge **7**. For details, see **FILTER CARTRIDGE USE & CARE (p. 11)** as well as Symptom 2 of **TROUBLESHOOTING GUIDE (p. 17)**.
4. To turn the Pump off, press the TEST button of the GFCI Plug, and unplug it from the power outlet.
5. **VERY IMPORTANT:** Check and adjust the pH and chlorine levels daily. **FILTER PUMP ALONE WILL NOT PREVENT ALGAE FROM GROWING IN POOL WATER; THIS CAN ONLY BE DONE BY MAINTAINING PROPER CHLORINE AND pH LEVELS AT ALL TIMES.** For details, see **POOL WATER CARE (p. 12)**.



IMPORTANT: Do NOT connect to a timer device!

Should you encounter any problems, contact Customer Service at (888) 919-0070 from 8AM to 5PM MST, Monday-Friday.
Extended operating days and hours during peak season requirements.

PUMP MOTOR CARE

IMPORTANT! This Skimmer Filter Pump is protected by a thermal switch, a safety device that stops the pump from running when it's overheated, to prevent pump damage and prolong service life. If your pump turns off automatically, it's likely the pool water temperature is too high or the water flow through the pump is insufficient for cooling the pump down. Check and correct the water flow, let the motor rest for at least 15 minutes and then restart the pump by pressing the RESET button of the GFCI Plug, or run the pump at night when the temperature is lower. If pump turns off automatically again, inspect if the rotor is blocked by dirt.

PUMP MAINTENANCE

1. Check the pump output daily. If water flow reduces, see Symptom 2 of **TROUBLESHOOTING GUIDE** (p. 17).
2. Check the Pump, Hoses and Fittings for leaks. If a leak is found, see Symptom 4 of **TROUBLESHOOTING GUIDE**.
3. It's essential to replace any damaged parts as soon as possible. Use only spare parts from approved, reliable dealers, or from polygroupstore.com
4. Inspect the filter and all filter media regularly to ensure that there's no build-up of detritus that prevents good filtration. See **FILTER CARTRIDGE USE & CARE** below.
5. Run the Pump for the recommended number of hours daily. If you are unsure of the time frame, please see **Pump Operation Hours** at support.polygroupstore.com

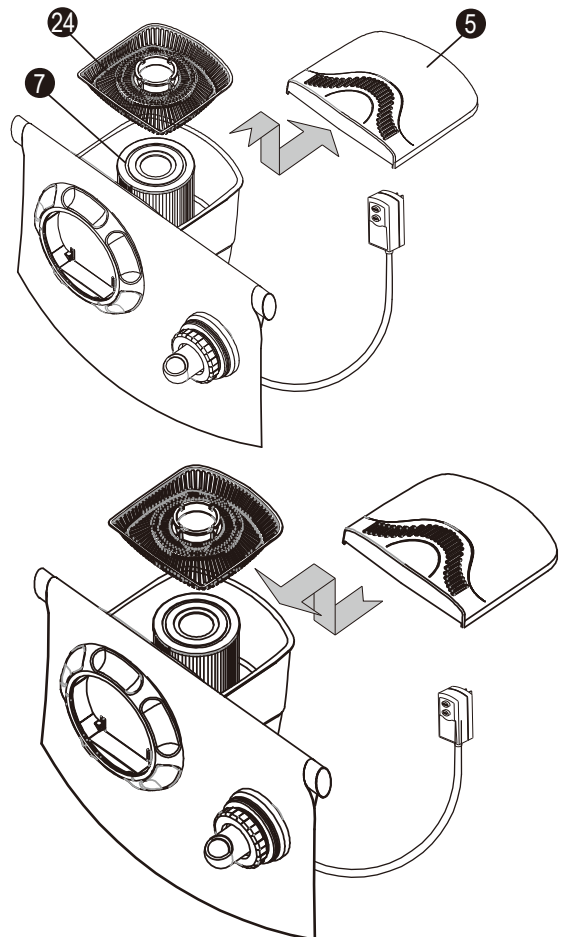
FILTER CARTRIDGE USE & CARE

1. To clean the Filter Cartridge **7**:
 - a. Turn off and unplug the Pump. Slide open the Top Cover **5**, and take out the Strainer Basket **24** and Filter Cartridge.
 - b. Pressure wash the Cartridge thoroughly (including between the pleats) with a garden hose to remove larger debris. Then allow the Cartridge to dry, and carefully brush away smaller and fine particles of dirt. Do NOT scrub the pleats, or the Cartridge will wear out faster than it should.
 - c. Pressure wash the Basket.
 - d. Reassemble the parts in reverse order. Then you can restart the Pump.
2. You may need to clean or replace the Filter Cartridge when it's dirty, or before the correct chlorine and pH levels are attained. Therefore, it's recommended to keep at least one spare cartridge on hand at all times. A clean, well-maintained cartridge assures that your pump will always be ready to operate at peak efficiency.
3. Suntan oils, body oils and algae can quickly build up and clog the pleats of the Cartridge, reducing the filtration efficiency. Therefore, it is imperative to remove such films of oils and/or algae.

To remove oils: mix 1 pound of tri-sodium phosphate (TSP, or any other strong detergent) and 5 gallons of water, and soak the Cartridge for 12 hours.

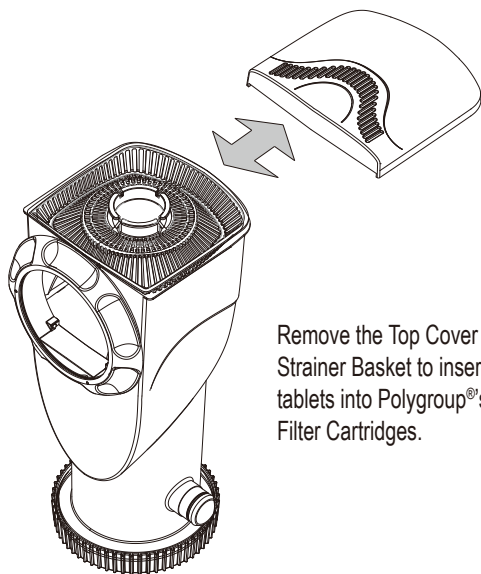
To remove oils AND algae: same as above, and add ½ pint of pool chlorine or 1 pint of liquid household bleach to the solution ONE HOUR BEFORE removing the Cartridge from the solution.

Thoroughly rinse the Cartridge before reusing it.
4. Excessive calcium and/or mineral deposits may also build up in the Cartridge, and it requires to be handled differently. Contact and consult your local pool supplies store for solutions/treatment, and maintain an adequate pH level of pool water (see **POOL WATER CARE**, p. 12).
5. Dispose of any used filter media in accordance with applicable regulations/legislation.
6. Always use genuine Polygroup® Summer Waves® Filter Cartridges; they are available at where you purchased your pool or from polygroupstore.com



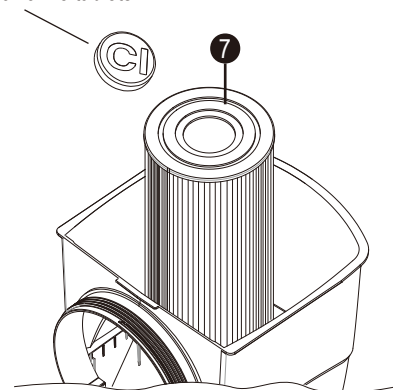
POOL WATER CARE

1. The following items are required to get your pool ready for use. They are available at polygroupstore.com or your local pool supplies stores:
 - a. **Test Kit** – for checking the chlorine and pH levels of the pool water. Use it daily and adjust with the required chemicals.
 - b. **1" (2.54 cm) Chlorine Tablets** – for water disinfection and prevention of the growth of algae
 - c. **pH Control Chemicals** – for adjusting the pH level up (soda ash) or down (acid)
 - d. **Algaecides** – to eliminate algae
 - e. **Superchlorinator** – to destroy ("shock") the combined chlorine, ammonia, nitrogen, and organic compounds that build up in pool water over time and with extended use.
 - f. **Leaf Net with handle** – for removing leaves, trash, insects, etc. from the pool
 - g. **Chlorine Dispenser** (inside Polygroup's patented Filter Cartridge U.S. Pat. 7,005,062) - for dispensing 1" chlorine tablets ONLY. See **p. 7 FILTER PUMP IMPORTANT NOTES (3)**
 2. **IMPORTANT:** it is a **MUST** to maintain the chlorine and pH levels at all times:
 - a. Check and adjust the pH and chlorine levels daily. **FILTER PUMP ALONE WILL NOT PREVENT ALGAE FROM GROWING IN POOL WATER; THIS CAN ONLY BE DONE BY MAINTAINING PROPER CHLORINE AND pH LEVELS AT ALL TIMES.**
 - b. **Recommended pH level:** between 7.3 and 7.8
 - c. **Recommended chlorine level:** between 1.0 and 1.6 ppm
 - d. Superchlorinate your pool at least every other week.
 - e. Hot weather and heavy use may require the pH and chlorine levels to be maintained on the upper side of the scale as well as a weekly superchlorination.
 - f. Using a pool and/or solar cover will help maintain the pH and chlorine levels by reducing evaporation of pool water.
 - g. **CAUTION:** High chlorine concentration and low pH level will damage the pool/pool liner. You must follow the instructions on quantity and safe usage of the pool chemicals you use. **NEVER** drop lumps or pellets of chemicals into the pool – this may present a hazard to the swimmers and/or damage your pool liner.
 3. Clean your pool regularly using a maintenance kit with vacuum. You can get the kit from polygroupstore.com
 4. Using a foot bath prior to entering the pool will help keep the pool clean.
 5. Avoid using well water. If you must use well water, always seek professional advice from your local pool chemical suppliers before adding ANY chemicals into it.
 6. Find out the water capacity (in gallon) of your pool from the pool Owner's Manual. You will need it to determine the amount of chemicals required, or when you contact a pool supplies expert for water testing and advice on safe use of chemicals.
- NOTE:** Always follow the manufacturer label directions of the chemicals you choose to use.



Remove the Top Cover and Skimmer Strainer Basket to insert chlorine tablets into Polygroup's patented Filter Cartridges.

Put the required number of chlorine tablets into the central core mesh divider of Filter **7**. Use ONLY 1" chlorine tablets.



PUMP DISASSEMBLY & STORAGE

1. Turn off the Pump, and unplug it from the power outlet.
2. Disassemble the return fittings **11** - **20**:
 - a. Loosen the Hose Clamps **11**, detach the Hose **12**, and drain any remaining water.
 - b. Remove, clean and dry all the parts. Liberally lubricate the RF Gasket **17** with petroleum jelly. Then snap all the parts together in sequence.
3. Disassemble the Pump:
 - a. Slide open the Top Cover **5**, take out the Strainer Basket **24**, Filter Cartridge **7** and any chlorine tablets left inside, and detach the Weir **8**. Clean and dry all

Should you encounter any problems, contact Customer Service at (888) 919-0070 from 8AM to 5PM MST, Monday-Friday.
Extended operating days and hours during peak season requirements.

- the parts, and liberally lubricate the Skimmer Gasket Rubber Seal **25** with petroleum jelly. Then reassemble them back onto the Skimmer Canister **9**.
- b. Remove the Motor Assembly **3** by turning open the Motor Seal Nut **1**. Clean and dry completely the Pump.
- Then see **STEP 3: Pump Reassembly/Replacement (p. 15-16)** to reassemble the Motor into the Canister.
4. Store all the parts in a dry place that remains above 32°F (0°C) at all times.

PUMP SERVICING INSTRUCTIONS

The most efficient way to troubleshoot or replace the Pump is to disassemble the entire filtration system. Please drain the water level to below the pool's Skimmer Opening, then disassemble the system following the steps below.

CAUTION:

1. You may get wet.
2. Please read and follow the instructions carefully. Incorrect handling may cause damages resulting in leaks between the Skimmer Canister **9** and the pool wall.
3. REMEMBER TO KEEP ALL THE PARTS IN A SAFE PLACE FOR REASSEMBLY LATER.

STEP 1: Removal of Motor Assembly **3**

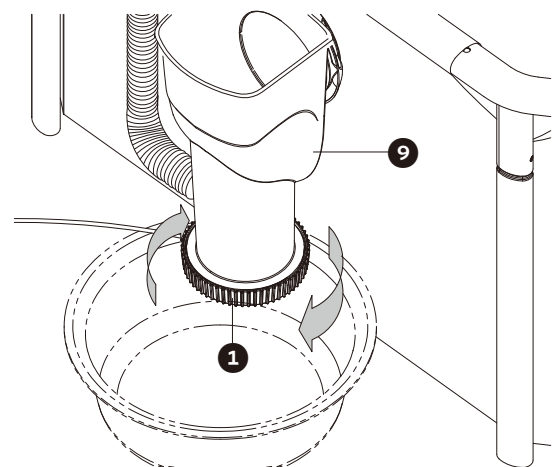
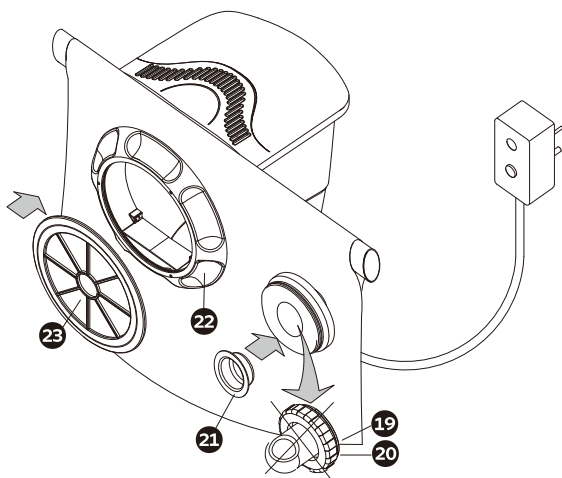
1. Turn the Pump off, and unplug it from the power outlet.
2. Slide open the Skimmer Top Cover **5**, remove the Strainer Basket and the Filter Cartridge and any chlorine tablets left inside.
3. At the Return Fitting **18**:
 - a. Unscrew and remove the RF Locking Ring and RF Diverter. Then insert the Service Plug to block the water flow.
 - b. Loosen the Hose Clamp attaching to the 90° Elbow **13**. Carefully detach the Hose, and let the water drain from the Hose and the Canister.

NOTE: you may also detach the other end of Hose attaching to the Canister, but it is not required.
4. Unscrew the Skimmer Seal Ring **22** to remove the entire filtration system from the pool.
5. Flip the Canister upside down. Unscrew the Motor Seal Nut **1** and take out the Motor Assembly.

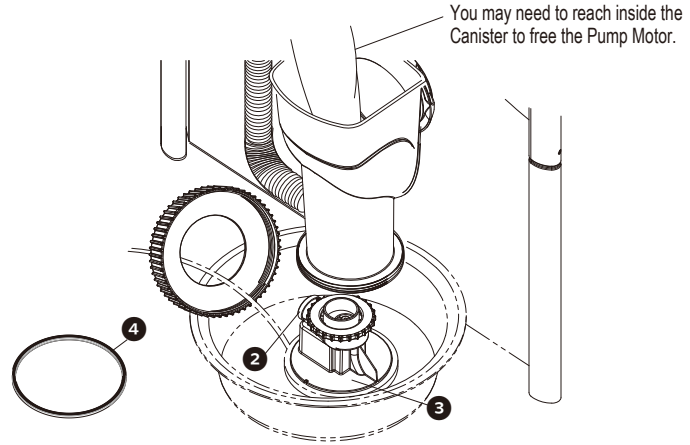
IF YOU PREFER TO LEAVE THE SYSTEM ATTACHED TO THE POOL, please follow the process below instead.

CAUTION: you will need two people for some of the steps. Incorrect handling may cause damages resulting in leaks between the Skimmer Canister **9** and the pool wall.

1. Turn the Pump off, then unplug it from the power outlet.
2. Block the water flow:
 - a. Unscrew and remove the RF Locking Ring **20** and RF Diverter **19**. Then insert the Service Plug **21** to block the water flow.
 - b. Push the Water Stopper **23** tightly into the Skimmer Seal Ring **22**.
3. Put a water container (not included) under the Skimmer to collect water. Slide open the Top Cover **5**, and take out the Strainer Basket **24** and Filter Cartridge **7**.
4. Have one person holding the Water Stopper and Skimmer Canister **9**, while the other person unscrews the Motor Seal Nut **1**.
CAUTION: DO NOT PUSH OR PULL THE CANISTER as this may cause damage between the Canister and pool liner.



5. Slowly take out the Motor Assembly ③. Be careful not to lose the Rubber Nozzle ② or Canister Gasket ④.



STEP 2: Rotor Inspection/Replacement

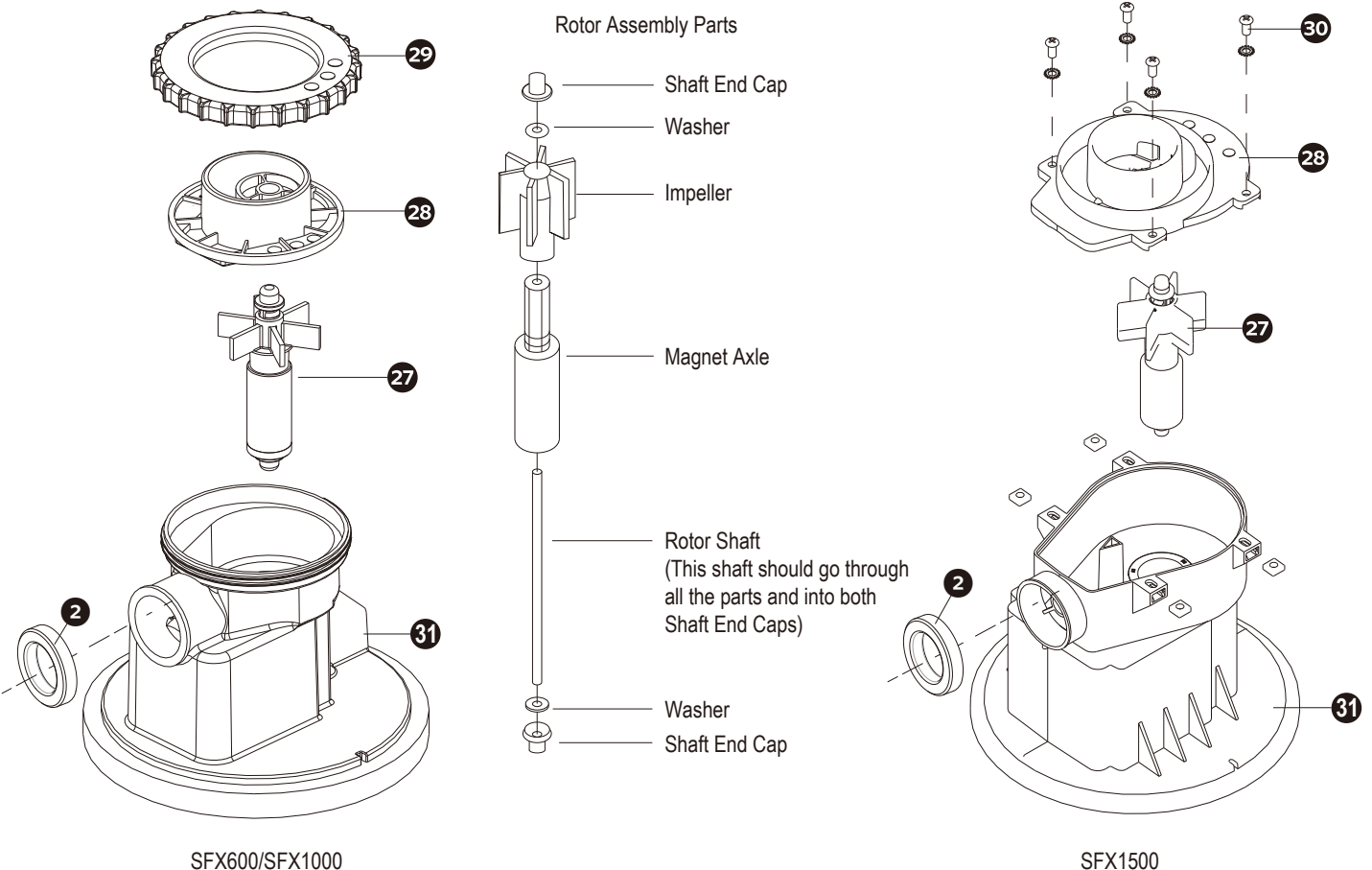
The Pump ③ is consisted of a Rotor Assembly ②⑦ and its related parts. If the Rotor and/or its parts is/are broken, or the Rotor, even in perfect condition, is not seated in place between the Volute Cover ②⑧ and Pump Body ③①, the Pump will not function properly.

1. Loosen the Volute Cover Lock Nut ②⑨ or Bolts ③⑩ (depends on the pump model), and remove the Volute Cover ②⑧.
2. Pull the Rotor Assembly ②⑦ out from the Pump Body ③①.

Inspect the Rotor (see image below) to make sure that the Rotor Shaft, Magnet Axle, Impeller and other parts are intact. If either of them is broken, you can purchase a new Rotor Assembly at polygroupstore.com without having to replace the whole Pump.

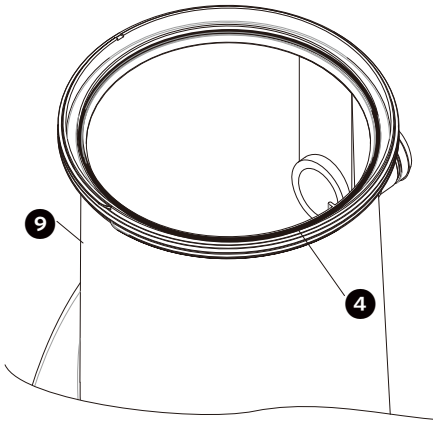
For more details, please see **Pool Support – Filtration System Troubleshooting** at support.polygroupstore.com

3. Once the inspection or replacement is done, carefully insert the Rotor Assembly ②⑦ back into the Pump Body ③①. The force of the magnet will pull the Rotor down in place.
4. Align the Volute Cover ②⑧ with the top Shaft End Cap, then tighten with the Volute Cover Lock Nut ②⑨ or Bolts ③⑩ (depends on the pump model).
5. Attach the Rubber Nozzle ② to the outlet of the Pump Body ③①.

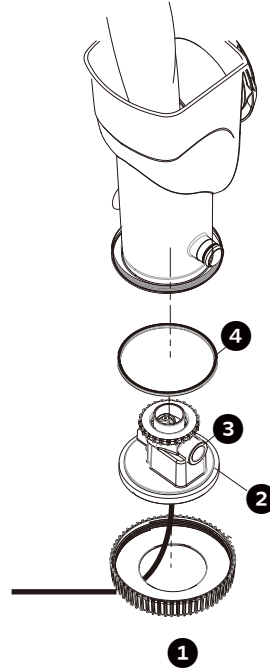


STEP 3: Pump Reassembly/Replacement

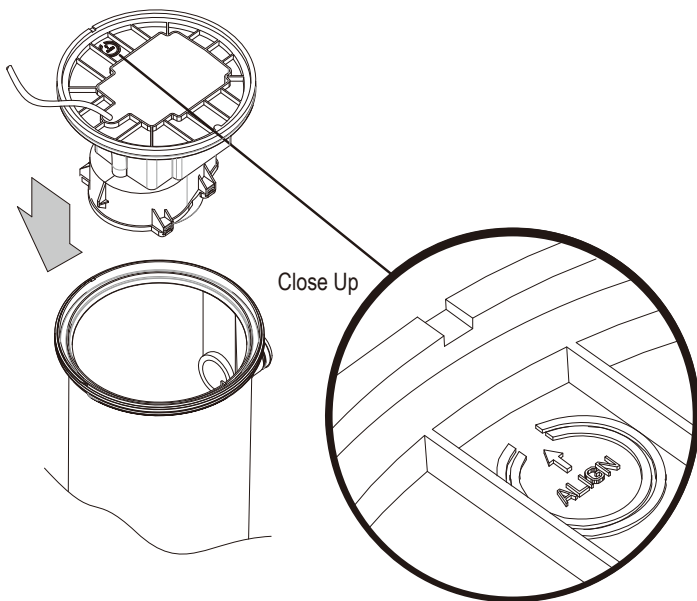
1. Lubricate the Canister Gasket ④, then insert it back into the groove (inner groove for SFX600/SFX1000) at the bottom of the Skimmer Canister ⑨.



IMPORTANT: make sure that the cord of the Motor Assembly ③ is placed through the Motor Seal Nut ① BEFORE replacing the Pump.

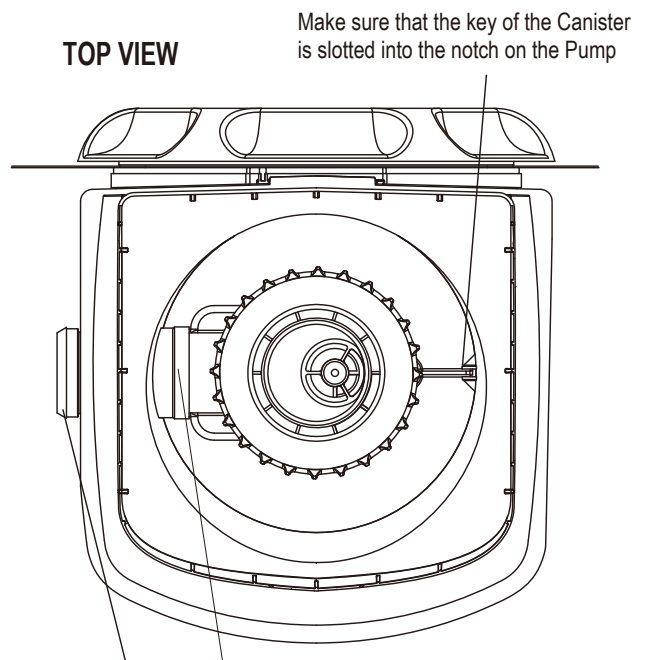


- 2a. If your Pump is removed from the pool, slowly insert the Motor Assembly back into the upside-down Canister. There's an indent on the inside of Canister (only visible from bottom), which needs to be aligned with an indent at the bottom of the Motor (marked "ALIGN"); to this end, make sure that the arrow of the "ALIGN" mark is pointing to the Canister indent.



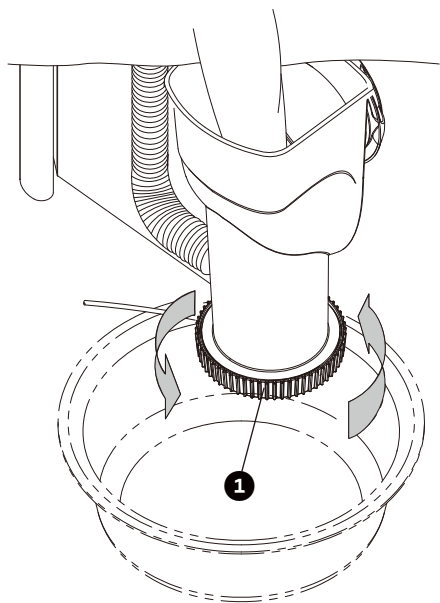
BOTTOM VIEW OF PUMP & CANISTER

- 2b. If your Pump is left attached to the pool, reach in through the Canister to pull the Motor Assembly up and insert it back into the Canister. Make sure that the key of the Canister is slotted into the notch on the Pump to align the Rubber Nozzle ② with the hose opening of the Canister, otherwise the Pump may leak even already locked in place.



Outlet of Canister and Rubber Nozzle ② on the pump should be aligned.

3. Once the Motor is correctly aligned, match the threads of the Motor Seal Nut ❶ to that of the Canister, and tighten by twisting the Nut counterclockwise.
IMPORTANT: make sure the Nut and Canister are not cross-threaded; otherwise leaks may occur.



TROUBLESHOOTING GUIDE

⚠ WARNING: UNPLUG THE POWER CORD BEFORE TROUBLESHOOTING THE FILTER PUMP.

Problem	Cause	Solution
1. Pump Motor 3 doesn't start, or kicks on and off	A Pump not plugged in	A Plug the GFCI Power Cord Set 26 to a grounded power outlet. Then press the RESET button to start the Pump.
	B GFCI Power Cord Set 26 and/or circuit breaker tripped	B Reset your circuit breaker on the electrical panel. If problem persists, have the circuit checked by a qualified electrician.
	C Low Voltage	C Check and make sure the line voltage is between 105VAC and 125VAC.
2. No or slow water flow from the Return Fitting 18	A Low pool water level	A Water level must be between the MIN and MAX lines on the Skimmer Seal Ring 22 .
	B Clogged water inlet/outlet	B Check for obstructions at the Strainer Basket 24 , Filter Cartridge 7 , Hose 12 and Return Fitting 18 .
	C The Filter Cartridge 7 is too dirty	C Clean or replace the Cartridge following the steps of FILTER CARTRIDGE USE & CARE (p. 11).
	D Motor Rotor block by dirt	D Refer to pump servicing instructions to clean dirt.
3. Pump is not cleaning the pool properly e.g. cloudy/green water	A Inadequate chlorine level	A Maintain the chlorine level between 1.0 and 1.6 ppm.
	B Inadequate pH level	B Maintain the pH level between 7.3 and 7.8
	C The Filter Cartridge 7 is too dirty	C Clean or replace the Cartridge following the steps of FILTER CARTRIDGE USE & CARE (p. 11).
	D The Filter Cartridge 7 is damaged	D Inspect the Cartridge for holes or tears. If it's visibly damaged, replace it with a new one.
	E Water flow is slow	E Check for obstructions at the Strainer Basket 24 , Filter Cartridge 7 , Hose 12 and Return Fitting 18 .
	F Other chemicals required	F Have your pool water sample tested by a pool supplies store. You may need to add other chemicals since water quality varies in different localities.
	G Pool water is too dirty	G Chemicals are essential to keep the pool water clean. Clean the pool and filter more often.
4. Water leakage at	A Hose 12 – Hose connections with Skimmer Canister 9 and/or 90° Elbow 13 are not secured	A Check that the Hose Clamps 11 are properly tightened over both the Hose and the Hose Connection O-Rings 10 ; adjust and retighten if necessary. Also, check the Hose for cracks or holes and replace as needed.
	B Bottom of Canister 9	B See STEP 3: Pump Reassembly/Replacement, p. 15-16: B1. The Canister Gasket 4 must sit in the groove (inner groove for SFX600/SFX1000) on the bottom of the Canister before installing the pump. B2. Check Pump alignment. The arrow of the Pump indent (marked "ALIGN") MUST point to the Canister indent (only visible from bottom). B3. Make sure the Motor Seal Nut 1 is not cross-threaded.
	C Between Canister 9 and pool wall	C Make sure the Skimmer Gasket Rubber Seal 25 is installed properly. See SETUP INSTRUCTIONS (3) & (4), p. 9: - The two keys of the Gasket should be at the top. - The pool liner is not trapped in the threads. - No gaps between the Gasket and the Canister. - The Skimmer Seal Ring 22 is firmly tightened onto the Canister.

Should you encounter any problems, contact Customer Service at (888) 919-0070 from 8AM to 5PM MST, Monday-Friday. Extended operating days and hours during peak season requirements.

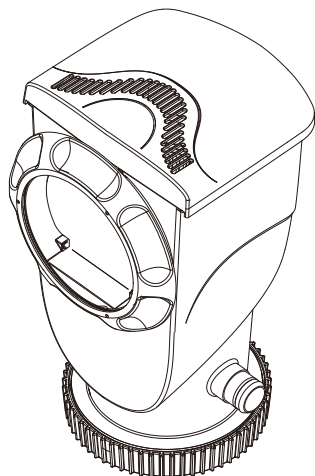
REPLACEMENT PARTS ORDERING INFO

Key	Description	SFX600	SFX1000	SFX1500
		Part #		
1	Motor Seal Nut	P58PP1954W05	P58PP1954W05	P58PP1954W05
		P58PP1954G8U	P58PP1954G8U	P58PP1954G8U
2	Rubber Nozzle	P58182601K01	P58182601K01	P58185201K01
3	Pump Motor Assembly	P58X0601C000	P58X1001C000	P58X1500C000
4	Canister Gasket / Motor Seal	P58147800K01	P58147800K01	P58164800K01
5	Top Cover	P58PP1950W05	P58PP1950W05	P58PP1950W05
		P58PP1950G8U	P58PP1950G8U	P58PP1950G8U
6	Weir Foam	P58SFX002W01	P58SFX002W01	P58SFX002W01
7	Type D Filter Cartridge	P581041037PR	--	--
	Type A/C Filter Cartridge	--	P581041080PR	P581041080PR
8	Weir	P58PP1956W05	P58PP1956W05	P58PP1956W05
		P58PP1956G8U	P58PP1956G8U	P58PP1956G8U
9	Skimmer Canister	P58PP1984W05	P58PP1951W05	P58PP1983W05
		P58PP1984G8U	P58PP1951G8U	P58PP1983G8U
10	Hose Connection O-Ring	P58030001K01	P58037000K01	P58037000K01
11	Hose Clamp	P58220221W05	P58219221W05	P58219221W05
		P58220221G8U	P58219221G8U	P58219221G8U
12	Return Hose	P58125009W01	P58150012W01	P58150012W01
13	90° Elbow	P58PF1740W05	P58PF1700W05	P58PF1700W05
		P58PF1740G8U	P58PF1700G8U	P58PF1700G8U
14	RF Nut	P58PF1690G8U	P58PF1690G8U	P58PF1690G8U
		P58PF1690W05	P58PF1690W05	P58PF1690W05
15	RF Thrust Washer (white)	P58PF2960W05	P58PF2960W05	P58PF2960W05
		P58PF2960G8U	P58PF2960G8U	P58PF2960G8U
16	Pool Wall (for reference only)	--	--	--
17	RF Gasket (black)	P58PF1730K01	P58PF1730K01	P58PF1730K01
18	Return Fitting (RF), threaded	P58PF1680W05	P58PF1680W05	P58PF1680W05
		P58PF1680G8U	P58PF1680G8U	P58PF1680G8U
19	RF Diverter, threaded	P58PF1721W05	P58PF1721W05	P58PF1721W05
		P58PF1721G8U	P58PF1721G8U	P58PF1721G8U
20	RF Locking Ring, threaded	P58PF1710W05	P58PF1710W05	P58PF1710W05
		P58PF1710G8U	P58PF1710G8U	P58PF1710G8U
21	Service Plug	P58PF0620K01	P58PF0620K01	P58PF0620K01
22	Skimmer Seal Ring	P58PP1953W05	P58PP1953W05	P58PP1953W05
		P58PP1953G8U	P58PP1953G8U	P58PP1953G8U
23	Water Stopper	P58PP2163K01	P58PP2163K01	P58PP2163K01
24	SFX Skimmer Strainer Basket	P58PP1952P01	P58PP1952P01	P58PP1952P01
25	Skimmer Gasket Rubber Seal	P58PP1957W05	P58PP1957W05	P58PP1957W05
27	Rotor Assembly	P58050137001	P58050505001	P58050506001
28	Volute Cover	P58PF1009K01	P58PF1009K01	P58184501K01
29	Volute Cover Screws (SFX600 & SFX1000)	P58PF1010K01	P58PF1010K01	--
30	Volute Cover Bolt And Nut Set (SFX1500 ONLY)	--	--	P5800400080A

Should you encounter any problems, contact Customer Service at (888) 919-0070 from 8AM to 5PM MST, Monday-Friday.
Extended operating days and hours during peak season requirements.

BOMBA SUMMER WAVES® CON FILTRO SKIMMERPLUS®

PARA PISCINAS SOBRE SUELO
Modelos SFX600 / SFX1000 / SFX1500



LEA ESTAS INSTRUCCIONES Y CONSÉRVELAS PARA FUTURAS CONSULTAS

Para dudas sobre la instalación o resolución de problemas, visite
support.polygroupstore.com Servicio de atención al cliente: (888)919-0070

NO DEVUELVA EL PRODUCTO A LA TIENDA

Para pedir piezas y accesorios,
visite www.polygroupstore.com

Si le surge algún problema con su producto Polygroup®, no devuelva el producto al establecimiento de compra. Las reclamaciones de garantía deben realizarse directamente a Polygroup®. Antes de ponerse en contacto con el servicio de atención al cliente, revise la guía de resolución de problemas, en el manual de instalación, o consulte las FAQ O revise los videos con las instrucciones en support.polygroupstore.com Si continúa sin poder resolver el problema, póngase en contacto con el servicio de atención al cliente de Polygroup® en el (888)919-0070. Tenga preparado el tipo de producto, el número de modelo y el comprobante de compra listo. Nuestro representante del servicio de atención al cliente le ayudará a resolver el problema. Puede ser necesario que nos envíe parte del producto o el producto en su totalidad para inspección y/o reparación. No devuelva ningún producto a Polygroup® sin un número de autorización de devolución.

GARANTÍA LIMITADA

Polygroup® Trading Limited, (en adelante, "Polygroup®") garantiza solo al comprador original la bomba eléctrica de tipo SFX ante defectos en el material y mano de obra durante 180 días desde la fecha de compra. El comprador original debe conservar el justificante de compra en forma de recibo de venta original de la tienda, que deberá presentar si así se lo solicita Polygroup® o sus agentes delegados. Las reclamaciones de garantía no pueden procesarse sin un justificante de compra válido. Esta garantía limitada solo se aplica al comprador original del producto y se limita a la reparación o sustitución del producto, a discreción de Polygroup®. Los daños consiguientes, incluidas reclamaciones por pérdidas de agua, químicos para piscinas, daños o uso no están cubiertos por esta garantía limitada.

Esta garantía no se considerará válida en caso de modificación o reparación del producto por parte del comprador o de personas no autorizadas, uso de piezas o accesorios no originales de Polygroup® en el producto, uso del producto contraviniendo las instrucciones del fabricante, uso de voltaje inadecuado, cualquier tipo de abuso del producto o en caso de accidente o negligencia. Esta garantía no cubre el desgaste normal, así como los casos de fuerza mayor fuera del control de Polygroup®. Polygroup® no se hace responsable de las hierbas que pueden crecer a través del paño de tierra y/o el revestimiento de la piscina, ya que esto no es un defecto de fabricación.

EN NINGÚN CASO SERÁN RESPONSABLES Polygroup®, SUS AGENTES AUTORIZADOS, ENTIDADES ASOCIADAS O EMPLEADOS ANTE EL COMPRADOR O TERCEROS POR DAÑOS DIRECTOS O CONSIGUIENTES. Algunos estados o países, u otras jurisdicciones, no permiten la exclusión o limitación de daños accidentales o consiguientes, en cuyo caso no se aplicarán las anteriores limitaciones o exclusiones.

ÍNDICE

Advertencias	3 ~ 6
Pasos Preliminares Y Notas Importantes Acerca De La Bomba De Filtración Y Potencia De La Bomba	7
Lista De Piezas	7 ~ 8
Instrucciones De Montaje Y Uso De La Bomba	9 ~ 10
Cuidado Del Motor De La Bomba Y Mantenimiento De La Piscina	11
Uso Y Cuidado Del Cartucho De Filtro	11
Cuidado Del Agua De La Piscina	12
Desmontaje Y Almacenamiento De La Bomba De La Piscina	12 ~ 13
Instrucciones De Mantenimiento De La Bomba	13 ~ 16
Guía De Resolución De Problemas	17
Información Sobre El Pedido De Piezas De Repuesto	18

INSTRUCCIONES IMPORTANTES DE SEGURIDAD

Al instalar y usar este equipo electrónico, deben seguirse siempre ciertas instrucciones básicas de seguridad, incluidas las siguientes:

LEA Y SIGA TODAS LAS INSTRUCCIONES

Consérvelas para futuras consultas. El incumplimiento de estas advertencias e instrucciones puede provocar lesiones graves o la muerte de los usuarios, especialmente los niños.

ADVERTENCIA



PELIGRO

¡EVITE AHOGAMIENTOS!
VIGILE DE CERCA A LOS NIÑOS CUANDO ESTÉN EN LA PISCINA O EN SUS ALREDEDORES. EN EL CASO DE NIÑOS MENORES DE 5 AÑOS, EL RIESGO DE AHOGAMIENTO ES MAYOR. VACÍE LA ALBERCA O PREVENGA EL ACCESO A ELLA CUANDO NO SE ENCUENTRE EN USO.

NO SE PERMITE ZAMBULLIDAS!
AGUA POCO PROFUNDA
¡PROHIBIDO ZAMBULLIRSE DE CLAVADO! RIESGO DE FRACTURA DEL CUELLO Y PARÁLISIS.

ADVERTENCIA

NO SE SIENTE NI SE TUMBE SOBRE LA PARED DE LA PISCINA
PUEDO SUFRIR LESIONES PERMANENTES

EVITE QUEDAR ATRAPADO!
ALÉJESE DE LOS ACCESORIOS DE DRENAJE O SUCCIÓN. EL PELO, EL CUERPO Y LAS ALHAJAS PUEDEN SER SUCCIONADOS POR EL SISTEMA DE DRENAJE. CORRIENDO RIESGO DE QUEDAR ATRAPADO BAJO EL AGUA Y AHOGARSE. NO USE LA PISCINA SI LA TAPA DEL DRENAJE O DE LA BOCA DE SUCCIÓN DE SALIDA ESTÁ ROTA O FALTANDO.

AVISO: LOS CLIENTES QUE ADQUIERAN PISCINAS PODRÍAN ESTAR OBLIGADOS POR LA LEGISLACIÓN ESTATAL O LOCAL A ABONAR GASTOS ADICIONALES AL INSTALAR UNA PISCINA, EN CUMPLIMIENTO DE LAS LEYES ESTATALES O LOCALES RELATIVAS AL VALLADO Y OTROS REQUISITOS DE SEGURIDAD. LOS CLIENTES DEBEN PONERSE EN CONTACTO CON LAS AUTORIDADES LOCALES CORRESPONDIENTES PARA MÁS INFORMACIÓN. POLYGROUP® NO ES RESPONSABLE POR GASTOS ADICIONALES QUE PUEDAN OCURRIR.

Precauciones de seguridad para los niños

1. Los niños, especialmente los menores de 5 años, tienen un alto riesgo de ahogarse. Los ahogamientos suceden de manera silenciosa y rápida, pudiendo suceder en tan poco como 5 cm de agua.
2. Mantenga a los niños dentro de su campo de visión, permanezca cerca y vigíelos activamente cuando estén cerca o dentro de la piscina y cuando esté llenando y vaciando la piscina.
3. Al buscar un niño perdido, compruebe primero la piscina, incluso aunque piense que el niño está en casa.
4. Sitúe las bombas y filtros de manera que los niños no puedan subirse a ellos para acceder a la piscina.
5. **ADVERTENCIA:** Para reducir el riesgo de lesiones, no permita a los niños utilizar este producto a menos que estén bajo estrecha supervisión en todo momento.

Vallas para piscina

Muy importante:

Las vallas para piscina, que restringen el acceso a la piscina a los niños pequeños, pueden ser un requisito legal. Las vallas son necesarias para proporcionar protección contra un posible ahogamiento o casi ahogamiento. Las vallas no sustituyen la vigilancia constante de los niños. Consulte las normas y códigos estatales y locales antes de instalar la piscina.

Equipamiento de la piscina

1. El uso de iluminación artificial para piscinas depende del dueño de la piscina. Una vez instalada, la iluminación debe cumplir el art. 680 del Código Eléctrico Nacional (NEC) o la última edición aprobada y debe contar con el asesoramiento de un profesional autorizado.
2. Mantenga los cables eléctricos, radios, altavoces y otros aparatos eléctricos lejos de la piscina.
3. No coloque la piscina cerca o debajo de cables eléctricos.
4. Todos los componentes instalados en y/o adyacentes a una piscina sobre tierra residencial deben instalarse en conformidad con los requisitos de la última edición publicada del NFPA 70, Código Eléctrico Nacional (NEC®), art. 680, Piscinas, fuentes e instalaciones similares, así como con cualquier código estatal o local.

Sensibilización con respecto a la bomba de filtración

1. **ADVERTENCIA:** Riesgo de descarga eléctrica. Conéctela únicamente a un receptáculo con conexión a tierra. Este producto incluye un disyuntor diferencial. En caso de que sea necesario sustituir el enchufe o el cable, utilice únicamente piezas de repuesto que sean idénticas.
2. **ADVERTENCIA:** Para reducir el riesgo de descarga eléctrica, sustituya el cable dañado inmediatamente.
3. **ADVERTENCIA:** Para reducir el riesgo de descarga eléctrica, no utilice alargadores para enchufar la unidad en la toma de corriente; utilice una toma que esté correctamente situada.
4. **ATENCIÓN:** Para reducir el riesgo de descarga eléctrica, la piscina debe colocarse a 1,8 m, como mínimo, de cualquier toma de corriente. No coloque los aparatos móviles a menos de 1,5 m de distancia de la piscina.

Si tuviera algún problema, llame al Servicio al cliente al número (888) 919-0070 de 8:00 a 17:00 (MST)
Lun, Jue, Vie. Días y horas ampliables durante la temporada alta.

5. **ATENCIÓN:** Esta bomba ha sido diseñada para usarla únicamente con piscinas almacenables. No debe utilizarla con piscinas de instalación permanente. Una piscina almacenable ha sido fabricada de modo que puede desmontarse fácilmente para guardarla y volver a montarse íntegramente como al principio. Una piscina de instalación permanente se construye sobre o debajo del suelo, o de forma que no puede ser desmontada para guardarse.
6. **ATENCIÓN:** Para mantener la protección continua contra posibles descargas eléctricas, esta unidad debe montarse sobre una base en conformidad con las instrucciones de instalación.
7. No entierre el cable. Coloque el cable de forma que reduzca al máximo la posibilidad de que resulte dañado por cortacéspedes, cortasetos y otros equipos.
8. La unidad incluye un disyuntor diferencial (GFCI, por sus siglas en inglés). Para probarlo, pulse el botón de prueba. El disyuntor diferencial debe interrumpir el suministro eléctrico. Pulse el botón de reinicio (reset). El suministro debería restablecerse. Si el disyuntor diferencial no funciona de esta forma, significa que está defectuoso. Si el disyuntor diferencial interrumpe el suministro eléctrico a la bomba sin haber pulsado el botón de prueba, significa que hay una corriente de fuga, lo que indica que puede producirse una descarga eléctrica. No utilice esa bomba. Desconéctela y llévela a un representante de servicio cualificado para que solucione el problema antes de usarla.
9. La Bomba de Filtro debe ser montada por un adulto; hay que tener cuidado al desembalarla y montarla, ya que puede contener bordes y puntos afilados potencialmente peligrosos que son partes necesarias para el funcionamiento de la Bomba de Filtro.
10. No use la piscina en caso de que falte o esté rota alguna tapa de las salidas de succión o drenaje. La succión puede provocar que quede atrapada alguna parte del cuerpo, que se enreden el cabello o las joyas o ahogamiento. Repare o cambie las tapas de las salidas de succión o drenaje antes de utilizar la piscina. Durante el uso nocturno de la piscina, utilice iluminación artificial para iluminar todas las señales de seguridad, escaleras, escalones, cubiertas y caminos.
11. El fondo de la piscina debe ser visible en todo momento desde el perímetro exterior de la piscina.
12. Coloque una lista de números de teléfono de emergencia, como la comisaría, bomberos, ambulancias y/o unidades de rescate más cercanas. Estos números deben mantenerse cerca del teléfono más cercano a la piscina.
13. Tenga siempre a mano un equipo básico de salvamento, que incluya uno de los siguientes:
 - Una vara rígida, resistente y ligera (un cayado) con una longitud no inferior a 366 cm.
 - Una cuerda de al menos 6,35 mm de diámetro con una longitud igual a la mitad de la anchura máxima de la piscina o 15,24 m, la que sea inferior, que esté firmemente sujeta a un flotador de salvamento aprobado con un diámetro exterior de aproximadamente 38,1 cm, o un dispositivo de flotación aprobado similar.
14. La piscina debe estar situada a una distancia mínima de 1,83 m de cualquier toma de corriente, y todas las tomas de 125 V 15-20 A situadas en un radio de 6 m de la piscina deben protegerse con un interruptor diferencial (GFCI), donde las distancias sean, por medida, la ruta más corta que seguiría el cable de alimentación de un aparato conectado al receptáculo, sin penetrar un suelo, pared, techo, marco con puerta abisagrada o corredera, apertura de una ventana o cualquier otra barrera permanente eficaz, hasta la pared interior de la piscina.

Sistemas de circulación

1. Los instaladores deberán seguir las instrucciones escritas relativas a la posición de todos los equipos conectados a los sistemas de circulación.
2. El instalador deberá seguir las instrucciones escritas suministradas para utilizar los componentes de los sistemas de circulación.
3. Todos los componentes y bombas del sistema de circulación que deban sustituirse o repararse deberán instalarse siguiendo el manual de instrucciones de la bomba.
4. El equipo de circulación deberá instalarse siguiendo las instrucciones del fabricante para proporcionarle un montaje y soporte adecuado, para evitar daños derivados de una mala alineación, colocación y vibración, y para minimizar la posibilidad de acumulación de residuos y humedad. Consulte el manual de instrucciones de la bomba.

Productos químicos

Por motivos de seguridad, asegúrese de que la parte más profunda de la piscina siempre esté visible. El usuario debe mantener siempre apropiadamente limpia el agua de la piscina. Compruebe los niveles de pH y cloro periódicamente y asegúrese de que están dentro de los límites recomendados. De vez en cuando, podrían ser necesarios productos químicos adicionales para tratar el agua. Lleve a analizar una muestra de agua a la tienda local de suministros de piscina para determinar si necesita más productos químicos. Encienda la bomba por las horas recomendadas diariamente. Si no está seguro de los plazos, consulte support.polygroupstore.com para las horas de funcionamiento de la bomba recomendadas, basadas en tipos y tamaños de piscina. Limpie y cambie el cartucho de la bomba del filtro con frecuencia. Reemplazar solo con un cartucho de filtro original de la marca Polygroup® / Summer Waves®. Consulte el manual de la bomba del filtro para más información sobre el cuidado del agua.

Riesgo de quedar atrapado

1. Evitar quedarse atrapado: No debe haber salientes u otros obstáculos en la zona de baño que puedan causar que el usuario quede atrapado o enredado. No use la piscina en caso de que falte o esté rota alguna tapa de las salidas de succión. La succión puede provocar que quede atrapada alguna parte del cuerpo, que se enreden el cabello o las joyas o ahogamiento. Repare o sustituya la tapa de la salida de succión antes de dejar que se use la piscina.
2. ¡PELIGRO! PARA EVITAR LESIONES GRAVES O LA MUERTE, CIERRE LA PISCINA O SPA A LOS BAÑISTAS EN CASO DE QUE FALTE O ESTÉ ROTA Y/O INOPERATIVA ALGUNA REJILLA/TAPA DE LAS SALIDAS DE SUCCIÓN.
3. No juegue ni nade cerca de las válvulas de succión o drenaje. Podrían quedar atrapados su cabello o su cuerpo, causándole lesiones permanentes o ahogamiento.
4. No entre a la piscina o spa en caso de que alguna válvula de succión o tapa de drenaje esté suelta, rota o falte.
5. En caso de encontrar una tapa de drenaje suelta, rota o notar que falta, notifíquese inmediatamente al operador o propietario de la piscina/spa.

Riesgo de ahogamiento

1. Evite que los niños accedan a la piscina sin vigilancia instalando una valla u otra barrera aprobada alrededor de la piscina. Las leyes o códigos estatales o locales pueden exigir una valla u otras barreras aprobadas. Consulte las normas y códigos estatales y locales antes de instalar la piscina.
2. Los juguetes, sillas, mesas y objetos similares a los que un niño podría subirse deben tener una altura mínima de 121,92 cm respecto a la piscina. El sistema del filtro de la bomba debe colocarse de manera que no pueda ser usado por los niños pequeños como medio de acceso a la piscina. No deje juguetes dentro de la piscina al terminar de usarla, ya que los juguetes y objetos similares podrían atraer a los niños a la piscina.

3. Coloque los muebles (por ejemplo, mesas o sillas) lejos de la piscina para que los niños no puedan subirse a ellos para acceder a la piscina.

Riesgo de electrocución

1. Mantenga los cables eléctricos, radios, altavoces y otros aparatos eléctricos lejos de la piscina.
2. No coloque la piscina cerca o debajo de cables eléctricos.

Primeros auxilios

1. Tenga siempre un teléfono en funcionamiento y una lista de número de emergencia cerca de la piscina.
2. Aprenda la técnica de la resucitación cardiopulmonar (CPR). En caso de emergencia, realizar inmediatamente la CPR puede salvar una vida.

Advertencia especial

1. Los códigos de construcción locales pueden exigir la obtención de un permiso de construcción o instalación eléctrica. El instalador debe seguir las normativas sobre escollos, barreras, dispositivos y otros requisitos.
2. Las señales de seguridad deben cumplir los requisitos de la ANSI-Z535 y usar señalización de advertencia.
3. NO intente montar la piscina en condiciones climatológicas adversas, en caso de viento o cuando la temperatura sea inferior a 15,5 °C.
4. La Bomba de Filtro es almacenable, por lo que debería desmontarse y guardarse cuando se esperen temperaturas por debajo de 0 °C.

Advertencia de seguridad adicional

1. Siempre es necesaria la supervisión de un adulto.
2. Los padres deben aprender a realizar la CPR.
3. Mantenga los radios eléctricos, altavoces y otros aparatos eléctricos lejos de la piscina.
4. Cuando toque el filtro, la bomba o las piezas eléctricas, asegúrese de que el suelo que pisa está totalmente seco.
5. Todas las tomas eléctricas deben tener un disyuntor diferencial y las conexiones deben estar a 1,83 m, como mínimo, del perímetro de la pared de la piscina. A partir de 1,83 m-3,05 m, debe haber una conexión fija (caja de distribución) o una conexión de trabas giratorias con un disyuntor diferencial.
6. Conecte los cables de alimentación a una toma de corriente con conexión a tierra.
7. Mantenga todos los objetos que se puedan romper fuera de la zona de la piscina.
8. El consumo de alcohol no es compatible con las actividades de piscina. No deje que nadie nade, bucee o se deslice bajo la influencia del alcohol o las drogas.
9. Existe riesgo de descarga eléctrica si instala la bomba o el filtro en una plataforma. La bomba o el filtro podrían caer al agua, provocando descargas graves o electrocución.
10. No instale sobre una plataforma u otra superficie en, sobre o ligeramente por debajo del riel superior de la piscina.
11. No use la bomba de filtro durante condiciones climatológicas adversas, es decir, tormentas, tornados, etc.
12. Al aspirar la piscina o usar el mango telescópico, tenga en cuenta los cables eléctricos que pueda haber sobre usted.
13. Compruebe regularmente si existen signos de desgaste o pernos sueltos que puedan comprometer la seguridad de la plataforma.
14. Póngase en contacto con el distribuidor o fabricante de la piscina para obtener más señales de seguridad si lo considera necesario.
15. Acuda a un técnico de piscinas profesional para el servicio de mantenimiento de la piscina. Para más información entre en www.APSP.org

Folleto de sensibilización del consumidor y fuente de información

Contacto: U.S. Consumer Product Safety Commission at www.cpsc.gov/safety-education/safety-guides/pools-and-spas, Pub. #362 "Safety Barrier Guidelines for Home Pools".

1. La manera sensata de disfrutar de su piscina sobre suelo
2. Los niños no son a prueba de agua
3. Capas de protección
4. Procedimientos de emergencias en piscinas y spas para bebés y niños
5. Ser consciente de la seguridad.

Las copias de los folletos anteriores están disponibles gratuitamente en el APSP en www.APSP.org

Existen programas educativos y materiales

Sobre los programas educativos (es decir, seminarios, talleres, folletos, videos, guías) del APSP, otros grupos de seguridad acuática y empresas privadas. Con el objetivo de comunicar información de seguridad útil a los dueños/operadores y usuarios de piscinas, está permitido que los miembros de la industria suministren esta información a los dueños/operadores y que soliciten o exijan a los dueños/operadores una declaración firmada de que han recibido, leído y seguirán las instrucciones.

Otras fuentes de información de seguridad:

- www.cdc.gov
- www.cpsc.gov
- www.drowningpreventionalliance.com
- www.nspf.org
- www.safekids.org

ANSI American National Standards Institute

25 West 43rd Street, New York NY 10036

Contacto: 212-642-4900

www.ansi.org

APSP Association of Pool & Spa Professionals

(formerly National Spa and Pool Institute)
2111 Eisenhower Avenue, Suite 500
Alexandria VA 22314-4679
Contacto: 703-838-0083
www.apsp.org

ASME American Society of Mechanical Engineers

Two Park Avenue, New York NY 10016-5990
Contacto: 800-843-2763 (U.S. & Canada) 973-882-1170 (outside North America)
www.asme.org

NSPI National Spa and Pool Institute (see APSP)

UL Underwriters Laboratories
333 Pfingsten Road, Northbrook IL 60062-2096
Contacto: 877-854-3577 or 847-272-8800
www.ul.com

NSF NSF International

P.O. Box 130140
789 N. Dixboro Road
Ann Arbor MI 48105
Contacto: 800-673-6275 or 734-769-8010
www.nsf.org

ASTM ASTM International (formerly American Society of Testing & Materials)

100 Barr Harbor Drive, P.O. BOX C700
West Conshohocken, PA 19428-2959
Contacto: 877-909-2786 (USA & Canada) or 610-832-9585 (International)
www.astm.org

NEC National Electrical Code (see NFPA)

NFPA National Fire Protection Association
1 Batterymarch Park, Quincy MA 02169-7471
Contacto: 800-344-3555 (U.S. & Canada) or 617-770-3000 (International)
www.nfpa.org

Sistemas de filtración

Hay que colocar cualquier equipo conectado a los sistemas de ventilación de manera que los niños no lo puedan usar como medio de acceso a la piscina. (Véase la última edición publicada del Código sobre dispositivos de seguridad ANSI/APSP-8 para piscinas, spas y bañeras de hidromasaje de uso residencial).

Barrera

Las barreras son necesarias para ofrecer protección ante posibles ahogamientos y casi ahogamientos, y no son un sustituto de la supervisión constante de los niños. (Véase la última edición publicada del Código sobre dispositivos de seguridad ANSI/APSP-8 para piscinas, spas y bañeras de hidromasaje de uso residencial).

Riesgo de accidentes de ahogamiento, atrapamiento y buceo

Hay publicaciones disponibles que describen el riesgo de accidentes de ahogamiento, atrapamiento y buceo. Las publicaciones relacionadas con la seguridad de la piscina disponibles incluyen folletos de la Asociación de profesionales de piscina y spa (APSP) titulados: The Sensible Way to Enjoy Your Aboveground/ Onground Swimming Pool [La forma sensata de disfrutar de su piscina desmontable y fija], Children Aren't Waterproof [Los niños no son a prueba de agua], Pool and Spa Emergency Procedures for Infants and Children [Procedimientos de emergencia en piscinas y spas para bebés y niños], Layers of Protection [Capas de protección], y la última edición publicada del Código sobre dispositivos de seguridad ANSI/APSP-8 para piscinas, spas y bañeras de hidromasaje de uso residencial.

Responsabilidades del instalador

La instalación de todos estos componentes debe realizarse de manera que los niños no lo puedan usar como medio de acceso a la piscina. (Véase el Código de Carrier sobre piscinas, spas y bañeras de hidromasaje residenciales).

GUARDE ESTAS INSTRUCCIONES

Si tuviera algún problema, llame al Servicio al cliente al número (888) 919-0070 de 8:00 a 17:00 (MST)
Lun, Jue, Vie. Días y horas ampliables durante la temporada alta.

PASOS PRELIMINARES

1. LEA ATENTAMENTE TODAS LAS INSTRUCCIONES y comprenda bien lo que hace falta para montar la bomba de filtración de la serie SFX.
2. Se recomienda tener algo de vaselina (no incluida) a la mano para lubricar los empaques y los anillos negros.

NOTAS IMPORTANTES ACERCA DE LA BOMBA DE FILTRACIÓN

1. El instalador deberá seguir las instrucciones suministradas por escrito sobre el funcionamiento de los sistemas de bombas de filtración.
2. Todos los componentes eléctricos deben instalarse en conformidad con lo dispuesto en el Artículo 680 del Código Eléctrico Nacional® (NEC®) de 2017 o su más edición más reciente aprobada.
3. Capacidad máxima de pastillas de cloro de 2.54 cm para el Cartucho de filtro **7** patentado de Polygroup® (Patente de EE. UU. 7,005,062):
 - a. Cartuchos tipo D: 2
 - b. Cartuchos tipo A/C: 6

Verifique sus niveles de cloro para determinar el número correcto de pastillas de cloro que hay que agregar. El cartucho dispensa automáticamente el cloro en la piscina, mientras va funcionando la bomba. Debe usar un cartucho de filtro con un divisor de malla con un núcleo central (ver p. 8) para dispensar el cloro. El cartucho de filtro **7** es para dispensar SOLAMENTE pastillas de cloro de 2.54 cm. NO use este Cartucho para dispensar cloro en polvo, tratamiento de choque o cualquier otro tipo de sustancias químicas, ya que esto dañará la bomba, el cartucho de filtro y la piscina.
4. Los sistemas de bomba de filtración de la serie SFX son fabricados por Polygroup® con el número de control de ETL 4000608 y 4006317, con doble aislamiento y conexión a tierra, 120 VCA y 60 Hz. (Todas las unidades deben contar con 105 VCA como mínimo para empezar a funcionar correctamente).

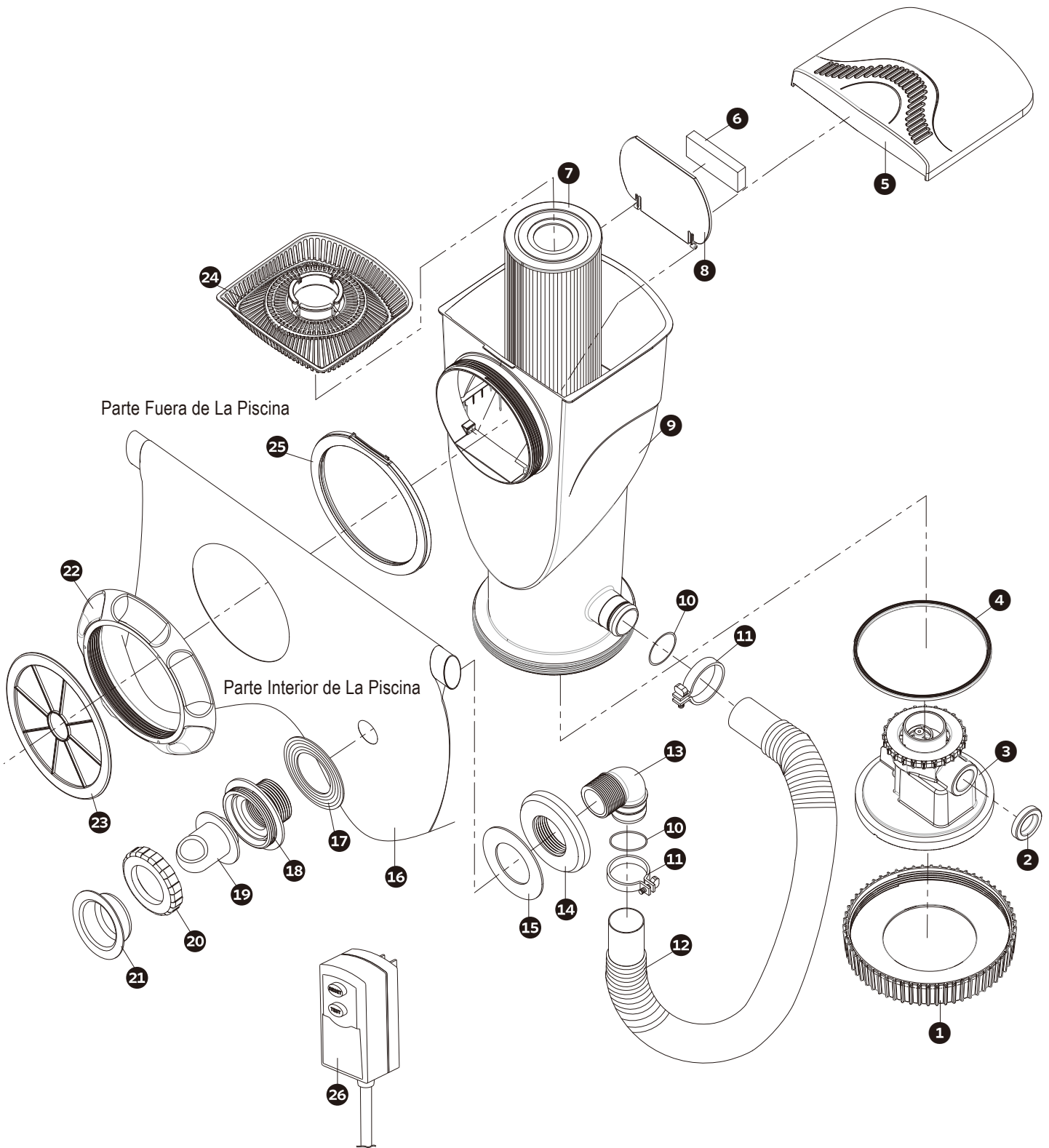
POTENCIA DE LA BOMBA

Modelo	Vataje	Amperaje
Sistema de Filtro SFX600	70 Watts	1.7 Amps
Sistema de Filtro SFX1000	115 Watts	1.4 Amps
Sistema de Filtro SFX1500	180 Watts	3.1 Amps

LISTA DE PIEZAS

Elementos	Nombre De Las Piezas	Cant.	Elementos	Nombre De Las Piezas	Cant.
1	Tuerca de sellado del motor	1	14	Tuerca de la RF	1
2	Boquilla	1	15	Arandela de empuje de la RF (blanca)	1
3	Conjunto del motor	1	16	Pared de la piscina (Ref.º)	1
4	Junta del cartucho	1	17	JEmpaque de la RF (negro)	1
5	Cubierta superior	1	18	Boquilla de retorno (RF), roscada	1
6	Espuma de retención	1	19	Desviador de la RF, roscado	1
7	Cartucho de filtro tipo D (solo SFX600)	1	20	Anillo de bloqueo de la RF, roscado	1
	Cartucho de filtro tipo A/C (SFX1000 o SFX1500)		21	Tapón de servicio	1
8	Rebosadero	1	22	Anillo obturador del skimmer	1
9	Caja del skimmer	1	23	Tapón de agua	1
10	Anillo negro de la conexión de la manguera	2	24	Cesta del prefiltro	1
11	Abrazadera de la manguera	2	25	Sello de goma del empaque del skimmer	1
12	Manguera de retorno	1	26	Cable y adaptador de alimentación con disyuntor diferencial	1
13	Codo de 90°	1			

Si tuviera algún problema, llame al Servicio al cliente al número (888) 919-0070 de 8:00 a 17:00 (MST)
Lun, Jue, Vie. Días y horas ampliables durante la temporada alta.



Si tuviera algún problema, llame al Servicio al cliente al número (888) 919-0070 de 8:00 a 17:00 (MST)
Lun, Jue, Vie. Días y horas ampliables durante la temporada alta.

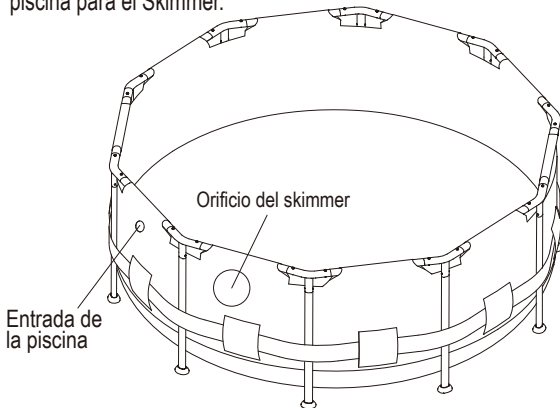
INSTRUCCIONES DE MONTAJE

Antes de montar el producto, dedique unos minutos a comprobar el contenido y familiarícese con todas las piezas.

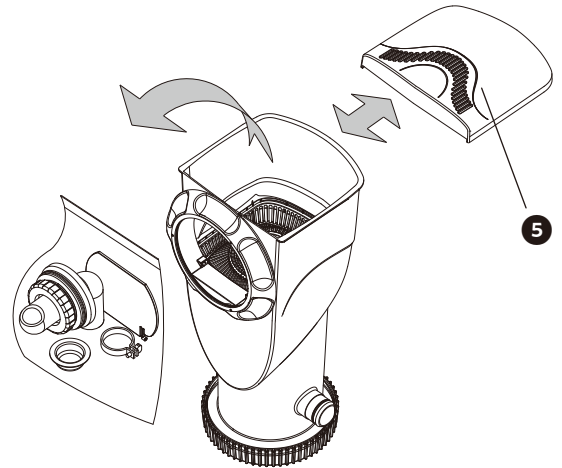
⚠ ADVERTENCIA: COLOQUE ESTE PRODUCTO APARTADO DE LA PISCINA A FIN DE EVITAR QUE LOS NIÑOS SE SUBAN A ÉL Y ACCEDAN A LA PISCINA.

Instalación del skimmer (rebosador)

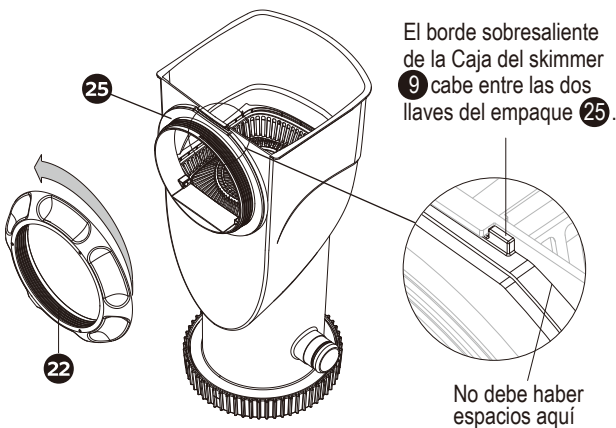
1. Instale su piscina conforme a las Instrucciones del Manual del usuario de la piscina. No la llene de agua hasta que haya instalado correctamente la bomba de filtración. Localice los orificios de entrada en la pared de la piscina para el Skimmer.



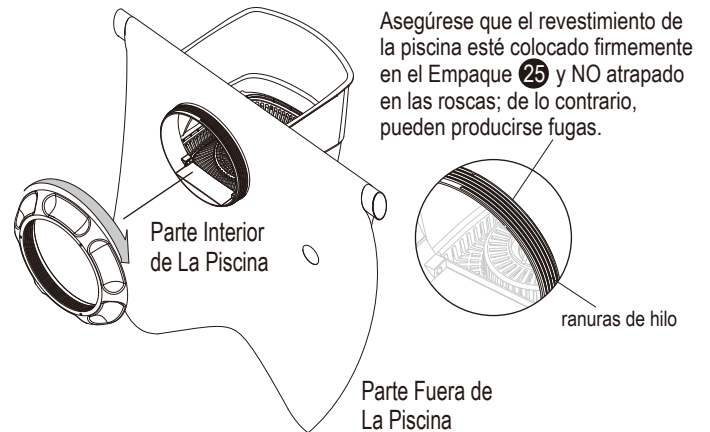
2. Deslice y abra la Cubierta superior **5** y retire las partes.



3. Gire a la izquierda para retirar el anillo de sello del skimmer **22**. Asegúrese que el Sello de goma del empaque del skimmer **25** esté en la posición correcto.

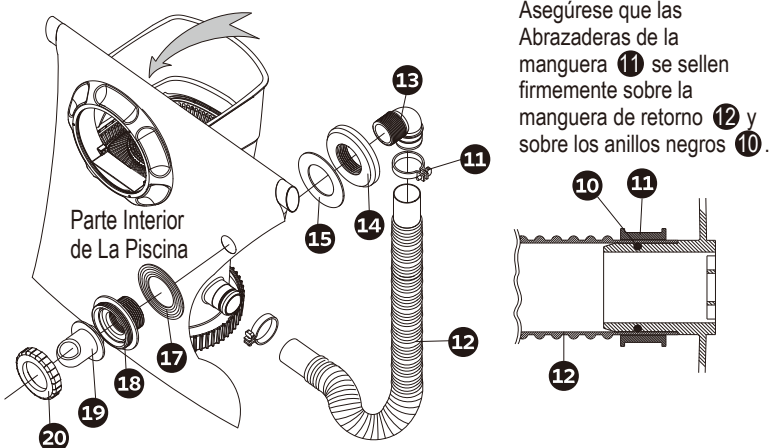


4. Inserte la parte roscada de la Caja del skimmer **9** a través de la abertura del skimmer y luego asegure con el anillo de sello del skimmer **22**.

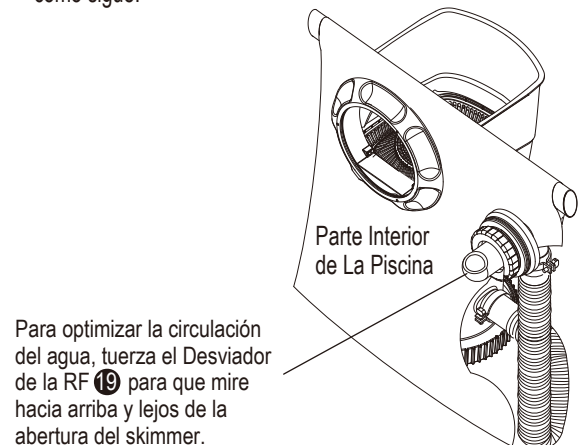


Instalación de la boquilla de retorno

5. Ensamble la boquilla de retorno **18** como se indica a continuación.



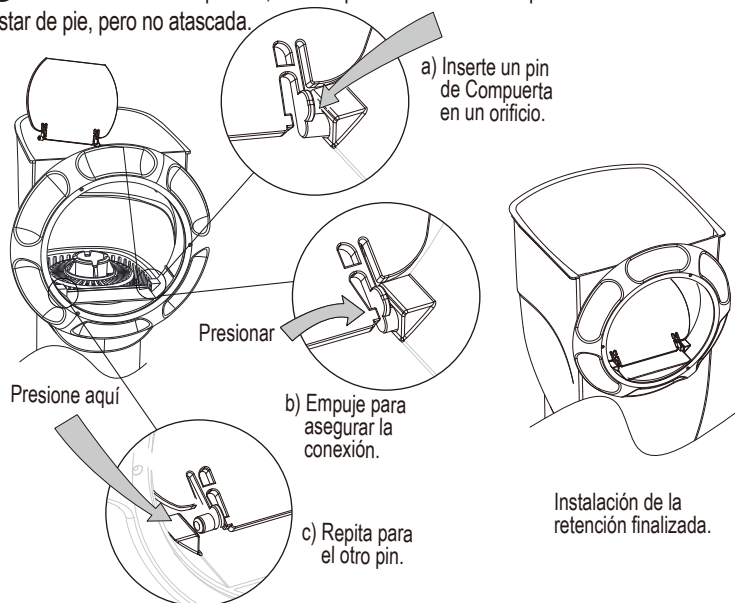
6. Ahora la bomba debe instalarse fuera de la pared de la piscina como sigue.



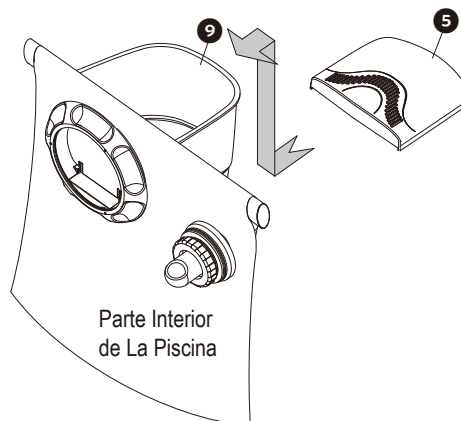
Si tuviera algún problema, llame al Servicio al cliente al número (888) 919-0070 de 8:00 a 17:00 (MST) Lun, Jue, Vie. Días y horas ampliables durante la temporada alta.

Instalación de la bomba

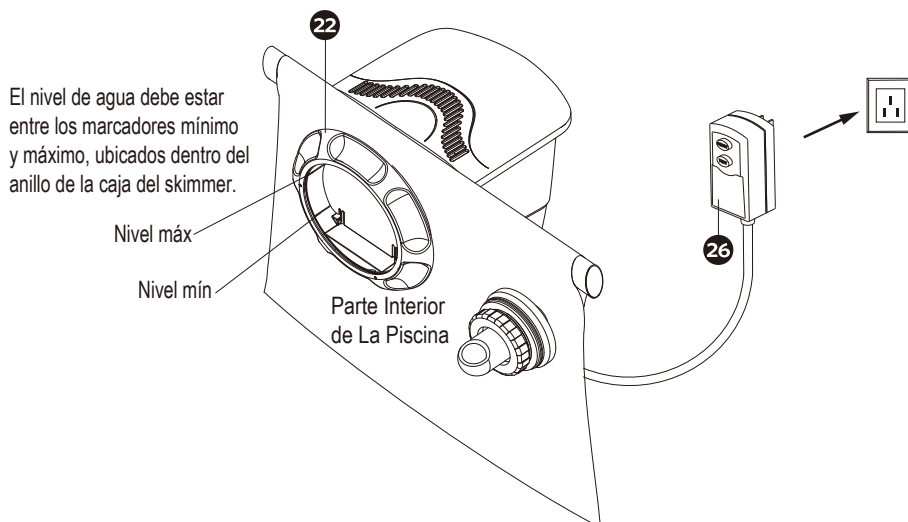
7. Desde dentro de la caja del skimmer **9**, enganche los pines de la Compuerta **8** en las ranuras de los pivotes, uno después de otro. La Compuerta ahora debe estar de pie, pero no atascada.



8. Deslice y cierre la Cubierta superior **5** sobre la Caja del skimmer **9**.

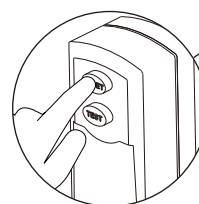


9. Ahora puede llenar la piscina con agua hasta entre las marcas de MÁX y MÍN en la parte interior del Anillo de sello del Skimmer **22**.



USO DE LA BOMBA

1. Enchufe el set de cable de alimentación GFCI **26** a un tomacorriente correctamente puesto a tierra al menos a 15 pies (4.5 m) de la piscina.
2. Para encender la Bomba, presione el botón RESET del enchufe GFCI.
3. Desde dentro de la piscina, verifique si el flujo de agua desde el Desviador de la RF **19** está correcto. Debe sentirse como un flujo sólido de agua que retorna a la piscina. Si no, o si siente reducción de flujo, limpie o reemplace el Cartucho de filtro tipo **7**. Para detalles, vea **USO Y CUIDADO DEL CARTUCHO DE FILTRO (P. 11)** a continuación, así como el Problema 2 de la **GUÍA DE RESOLUCIÓN DE PROBLEMAS (p. 17)**.
4. Para apagar la Bomba, presione el botón de PRUEBA del enchufe del GFCI y desenchúfelo de la salida de la alimentación.
5. **MUY IMPORTANTE:** Verifique y ajuste los niveles de cloro y de pH todos los días. LA BOMBA DEL FILTRO POR SÍ MISMA NO EVITARÁ QUE CREZCAN ALGAS EN EL AGUA DE LA PISCINA; ESTO SOLO PUEDE HACERSE MANTENIENDO NIVELES ADECUADOS DE CLORO Y DE pH EN TODO MOMENTO. Para detalles, vea **CUIDADO DEL AGUA DE LA PISCINA (p. 12)**.



IMPORTANTE: ¡NO conectar a un dispositivo temporizador!

Si tuviera algún problema, llame al Servicio al cliente al número (888) 919-0070 de 8:00 a 17:00 (MST)
Lun, Jue, Vie. Días y horas ampliables durante la temporada alta.

CUIDADO DEL MOTOR DE LA BOMBA

¡IMPORTANTE! Esta Bomba de filtración de skimmer está protegida por un interruptor térmico, un dispositivo de seguridad que detiene y evita que la bomba siga funcionando en caso de sobrecalentamiento, para evitar daños a la bomba y una prolongada vida útil. Si su bomba se apaga automáticamente, es probable que la temperatura del agua de la piscina esté demasiado alta o que el flujo del agua a través de la bomba sea insuficiente para enfriar la bomba. Verifique el flujo de agua, asegúrese que el motor descanse por lo menos 15 minutos y luego reinicie la bomba presionando el botón RESET del enchufe de GFCI, o encienda la bomba durante la noche cuando la temperatura es menor. Si la bomba se vuelve a apagar automáticamente, inspeccione el bloque del rotor de su bomba en busca de suciedad.

MANTENIMIENTO DE LA PISCINA

1. Compruebe la salida de la bomba filtrante a diario. Si el flujo se reduce, consulte el síntoma 2 en la sección "GUÍA DE RESOLUCIÓN DE PROBLEMAS" (p. 17).
2. Compruebe si hay alguna fuga en la bomba filtrante, las mangueras y los accesorios. Si encuentra una fuga, consulte el síntoma 4 en la sección "GUÍA DE RESOLUCIÓN DE PROBLEMAS".
3. Es esencial reemplazar cualquier parte dañada lo más pronto posible. Use solamente repuestos de distribuidores aprobados y confiables o de polygroupstore.com.
4. Inspeccione el filtro y los medios del filtro con regularidad para asegurar que no haya acumulación de detrito, lo que evita que haya una buena filtración. Ver **USO Y CUIDADO DEL CARTUCHO DE FILTRO** a continuación.
5. Prenda el motor/bomba en las hora recomendables diariamente. Si no está seguro del tiempo que debe funcionar la bomba, consulte las **Horas de operación de la Bomba en support.polygroupstore.com**.

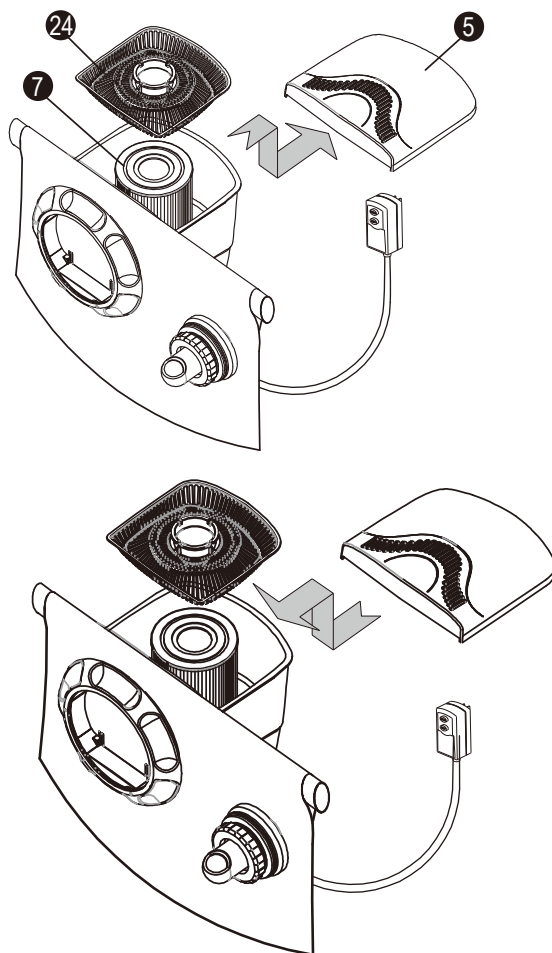
USO Y CUIDADO DEL CARTUCHO DE FILTRO

1. **Para limpiar el Cartucho de filtro 7:**
 - a. Apague y desenchufe la Bomba. Deslice y abra la Cubierta superior 5 y saque el Cesto del colador 24 y el Cartucho de filtro.
 - b. Lave a presión el cartucho exhaustivamente (incluyendo entre los pliegues) con una manguera de jardín para retirar escombros de mayor tamaño. Luego deje que el Cartucho se seque y cuidadosamente cepille para retirar las partículas de suciedad más pequeñas y finas. **NO** frote los pliegues, sino el Cartucho se va a gastar más rápido de lo que debiera.
 - c. Lave a presión el Cesto.
 - d. Vuelva a ensamblar las partes en el orden inverso. Luego puede reiniciar la Bomba.
2. Podría tener que limpiar o reemplazar el Cartucho de filtro cuando esté sucio o antes de que se alcancen los niveles de pH y de cloro correctos. Por tanto, se recomienda mantener al menos un cartucho de repuesto a la mano en todo momento. Un cartucho limpio y bien mantenido asegura que su bomba siempre esté lista para funcionar con una eficiencia pico.
3. Los aceites bronceadores y los aceites/algas corporales pueden acumularse rápidamente y obstruir los pliegues del Cartucho, reduciendo la eficiencia del filtrado. Por tanto, es imperativo retirar esas películas de aceites y/o algas.

Para eliminar los aceites: mezcle 1 libra de fosfato trisódico (TSP o cualquier otro detergente fuerte) y 5 galones de agua y remoje el Cartucho por 12 horas.

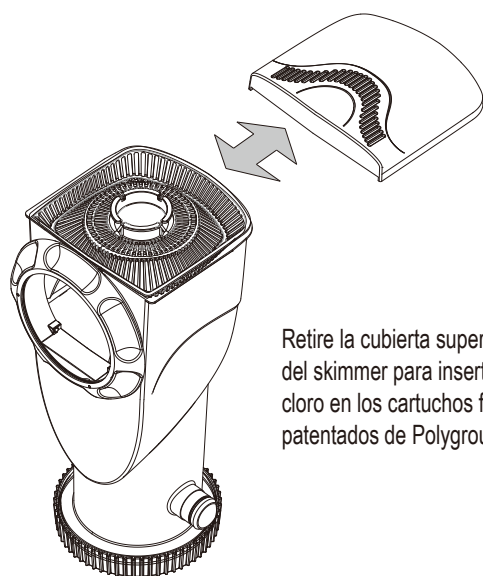
Para eliminar los aceites y las algas: igual que el paso previo, y agregue 230 ml de cloro para piscinas o 470 ml de lejía líquida de uso casero a la solución **UNA HORA ANTES** de retirar el Cartucho de la solución.

Enjuague exhaustivamente el Cartucho antes de volver a usarlo.
4. También se pueden formar depósitos excesivos de calcio y/o minerales en el Cartucho, y eso debe manejarse de forma distinta. Contacte y consulte con su tienda local de suministros de piscina para ver las soluciones/tratamientos que se puedan hacer y para mantener un nivel adecuado de pH en el agua de la piscina (ver **CUIDADO DEL AGUA DE LA PISCINA**, p. 12).
5. Elimine cualquier filtro usado en conformidad con las regulaciones/leyes correspondientes.
6. Siempre use Cartuchos de filtro Polygroup® Summer Waves®, se encuentran disponibles donde ha comprado su piscina o en polygroupstore.com.



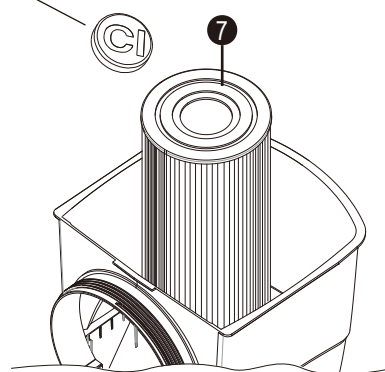
CUIDADO DEL AGUA DE LA PISCINA

- Se requieren los siguientes artículos para que su piscina esté lista para usarse. Se encuentran disponibles en polygroupstore.com o en sus tiendas locales de suministros de piscina:
 - Kit de prueba** - para verificar los niveles de cloro y de pH del agua de la piscina. Úselo diariamente y ajuste con las sustancias químicas requeridas.
 - Pastillas de cloro de 2.54 cm** - para la desinfección del agua y la prevención del crecimiento de algas
 - Sustancias químicas de control del pH** - para ajustar el nivel de pH, incrementándolo (carbonato de sodio) o disminuyéndolo (ácido)
 - Algucidas** - para eliminar las algas
 - Superclorinador** - para destruir ("choque") la combinación de cloro, amoníaco, nitrógeno y compuestos orgánicos que se forman en el agua de la piscina con el tiempo y con el uso prolongado.
 - Net para hojas con asa** - para eliminar hojas, basura, insectos, etc. de la piscina
 - Dispensador de cloro** (dentro del Cartucho de filtro patentado de Polygroup® (Patente de EE. UU. 7,005,062) - para dispensar SOLAMENTE pastillas de cloro de 2.54 cm. **Ver p. 7 NOTAS IMPORTANTES DE LA BOMBA DE FILTRACIÓN (3)**)
 - IMPORTANTE:** es **OBLIGATORIO** mantener los niveles de cloro y de pH en todo momento:
 - Verifique y ajuste los niveles de cloro y de pH todos los días. LA BOMBA DE FILTRACIÓN NO EVITARÁ QUE CREZCAN ALGAS EN EL AGUA DE LA PISCINA; ¡ESTO SÓLO PUEDE EVITARSE SI SE MANTIENEN NIVELES ADECUADOS DE CLORO Y DE pH EN TODO MOMENTO.
 - Nivel de pH recomendado:** entre 7.3 y 7.8
 - Nivel de cloro recomendado:** entre 1.0 y 1.6 ppm
 - Superchlorine su piscina al menos cada dos semanas.
 - El clima cálido y el uso frecuente pueden requerir que se mantengan niveles de cloro y de pH en la parte superior de la escala, así como un superclorinación semanal.
 - Usar una cubierta solar y/o para piscina ayuda a mantener los niveles de cloro y de pH, reduciendo la evaporación del agua de la piscina.
 - PRECAUCIÓN:** Una alta concentración de cloro y un bajo nivel de pH dañarán la piscina y su revestimiento. Debe seguir las instrucciones sobre la cantidad y el uso seguro de las sustancias químicas que utiliza. **NUNCA** deje case trozos o perlas de sustancias químicas en la piscina; esto podría representar un riesgo para los nadadores y/o dañar el revestimiento de su piscina.
 - Limpie su piscina con regularidad usando un kit de mantenimiento con aspiradora. Este kit se puede adquirir en polygroupstore.com.
 - Use un baño de pies antes e ingresar a la piscina para conservarla limpia.
 - Evite usar agua de pozo. Si debe usar agua de pozo, siempre busque ayuda profesional de sus distribuidores locales de sustancias químicas para piscina antes de verter las sustancias en ella.
 - Averigüe la capacidad de agua (en galones) de su piscina, la que se encuentra en el Manual de usuario. Tiene que determinar la cantidad de sustancias químicas que se requieren, o cuando contacte a un experto en suministros de piscina para hacer pruebas del agua y recibir consejos seguros sobre las sustancias químicas.
- NOTA:** Siempre siga las instrucciones de las sustancias químicas del fabricante que opte por usar, las que figuran en la etiqueta.



Retire la cubierta superior y la cesta del skimmer para insertar tabletas de cloro en los cartuchos filtrantes patentados de Polygroup®s.

Coloque el número requerido de pastillas de cloro en el divisor de malla con un núcleo central del Filtro 7. Use SOLO pastillas de cloro de 2.54 cm.



DESMONTAJE Y ALMACENAMIENTO DE LA BOMBA

- Apague la Bomba y desenchúfela del tomacorriente de alimentación.
- Desmonte las boquillas de retorno 11 - 20:
 - Afloje las Abrazaderas de la manguera 11, desenganche la manguera 12 y escurra cualquier cantidad de agua restante.
 - Retire, limpie y seque todas las partes. Lubrique abundantemente el Empaque de la RF 17 con vaselina. Luego enganche todas las partes juntas, en secuencia.

Si tuviera algún problema, llame al Servicio al cliente al número (888) 919-0070 de 8:00 a 17:00 (MST)
Lun, Jue, Vie. Días y horas ampliables durante la temporada alta.

3. Desmonte la Bomba:
 - a. Deslice y abra la Cubierta superior **5**, retire el Cesto del colador **24**, el Cartucho de filtro **7** y cualquier pastilla de cloro que haya quedado dentro, y desenganche la Compuerta **8**. Limpie y seque todas las partes, y lubrique el Sello de goma del empaque del skimmer **25** abundantemente con vaselina. Luego vuelva a ensamblarlas de regreso a la Caja del skimmer **9**.
 - b. Retire el Conjunto del motor **3** abriendo la Tuerca del sello del motor **1**. Limpie y seque completamente la Bomba. Luego vea el **PASO 3: Reemplazo/Reensamblaje de la Bomba (p. 15-16)** para reensamblar el motor en la caja.
4. Almacene todas las partes en un lugar seco que permanezca por encima de los 32°F (0°C) en todo momento.

INSTRUCCIONES DE MANTENIMIENTO DE LA BOMBA

La manera más eficiente de resolver los problemas o de reemplazar la Bomba es desmontando todo el sistema de filtración. Drene el nivel de agua por debajo de la abertura del skimmer, luego desmonte el sistema siguiendo los pasos a continuación.

PRECAUCIÓN:

1. Podría mojarse.
2. Lea y siga las instrucciones cuidadosamente. La manipulación incorrecta puede causar daños que den como resultado fugas entre la Caja del skimmer **9** y la pared de la piscina.
3. RECUERDE CONSERVAR TODAS LAS PARTES EN UN LUGAR SEGURO PARA PODER REENSAMBLARLAS POSTERIORMENTE.

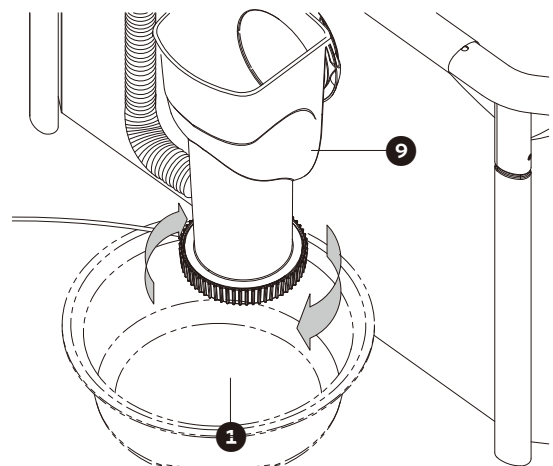
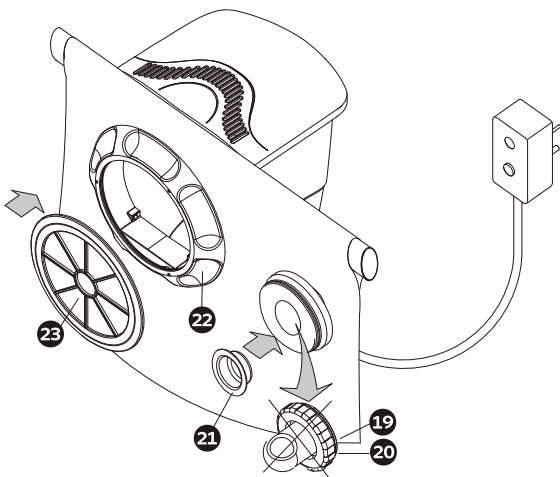
PASO 1: Remoción del ensamblaje del motor **3**

1. Apague la Bomba y desenchúfela del tomacorriente de la pared.
2. Deslice y abra la Cubierta superior del skimmer **5** y retire el Cesto del colador y el Cartucho de filtro y cualquier pastilla de cloro que quede dentro.
3. En la Boquilla de retorno **18**:
 - a. Destornille y retire al Anillo de bloqueo de la RF y el Desviador de la RF. Luego inserte el Tapón de servicio para evitar que el agua fluya.
 - b. Afloje la Abrazadera de la manguera, fijándola al Codo de 90° **13**. Desenganche cuidadosamente la Manguera y deje que el agua drene desde la Manguera hasta la Caja. **NOTA:** también querrá desenganchar el otro extremo de la Manguera que está fijado a la Caja, pero no se requiere.
4. Destornille el Anillo de sello del Skimmer **22** para retirar todo el sistema de filtración de la piscina.
5. Voltee la caja de cabeza. Destornille la Tuerca del sello del motor **1** y saque el Conjunto del motor.

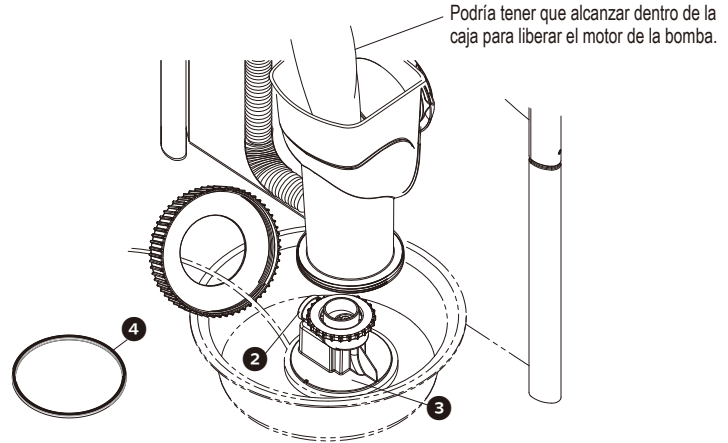
SI PREFIERE DEJAR EL SISTEMA FIJADO A LA PISCINA, siga en vez el proceso a continuación.

PRECAUCIÓN: necesitará a dos personas para algunos de los pasos. La manipulación incorrecta puede causar daños que den como resultado fugas entre la Caja del skimmer **9** y la pared de la piscina.

1. Apague la Bomba y luego desenchúfela del tomacorriente de la pared.
2. Bloquee el flujo de agua:
 - a. Destornille y retire al Anillo de bloqueo de la RF **20** y el Desviador de la RF **19**. Luego inserte el Tapón de servicio **21** para bloquear el flujo de agua.
 - b. Empuje el tapón de agua **23** firmemente en el Anillo de sello del skimmer **22**.
3. Coloque un contenedor de agua (no incluido) bajo el skimmer para recolectar el agua. Deslice y abra la Cubierta superior **5** y saque el Cesto del colador **24** y el Cartucho de filtro **7**.
4. Una persona debe sostener el Tapón de agua y la Caja del skimmer **9**, mientras que la otra debe destornillar la Tuerca del sello del motor **1**.



5. Saque lentamente el ensamblaje del motor ❸. Tenga cuidado de no perder la Boquilla de goma ❷ o el Empaque de la caja ❹.



PASO 2: Inspección/Reemplazo del rotor

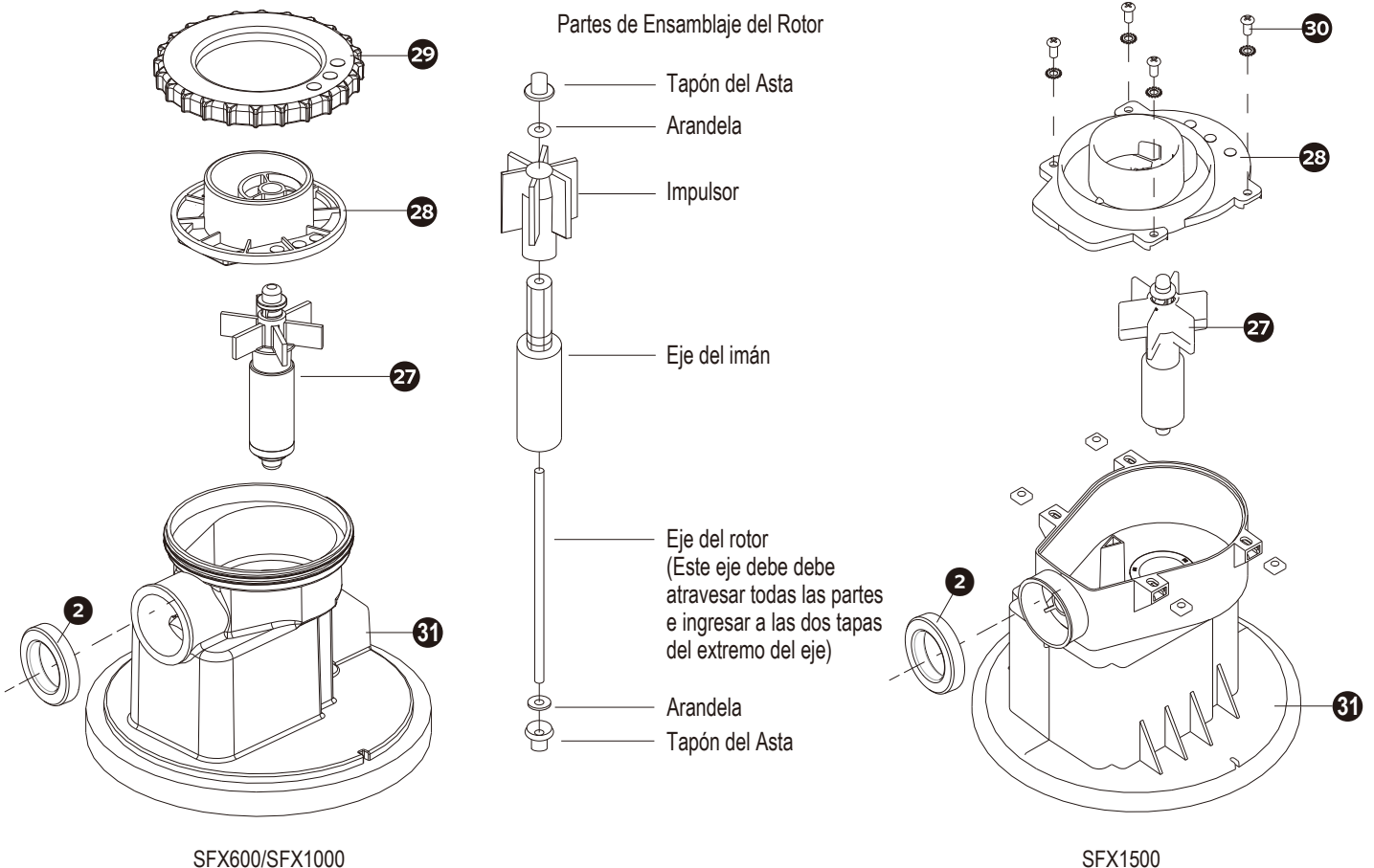
La Bomba ❸ consiste de un Ensamblaje del rotor ❷ y sus partes relacionadas. Si el Rotor y/o sus partes están rotos, o si el Rotor, incluso en perfectas condiciones, no está asentado en su lugar entre la Cubierta de la voluta ❷ y el Cuerpo de la bomba ❸, la Bomba no funcionará correctamente.

1. Afloje la Tuerca de bloqueo de la cubierta de la voluta ❷ o los Pernos ❸ (dependiendo del modelo de la bomba) y retire la Cubierta de la voluta ❷.
2. Tire del ensamblaje del rotor ❷ fuera del Cuerpo de la bomba ❸.

Inspeccione el Rotor (ver imagen a continuación) para asegurarse de que el Eje del rotor, el Eje del imán, el Impulsor y otras partes estén intactas. Si cualquiera de ellos está roto, puede adquirir un nuevo ensamblaje del rotor en polygroupstore.com sin tener que reemplazar la Bomba entera.

Para mayores detalles, ver Apoyo de la piscina - Resolución de problemas del sistema de filtración en support.polygroupstore.com.

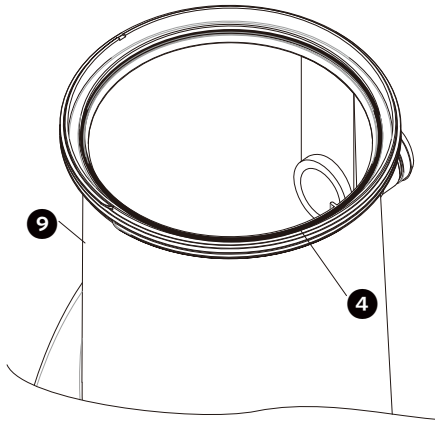
3. Una vez realizada la inspección o el reemplazo, inserte cuidadosamente el Ensamblaje del rotor ❷ de regreso al Cuerpo de la bomba ❸. La fuerza del imán tirará el rotor abajo, a su lugar.
4. Alinee la Cubierta de la voluta ❷ con la Tapa del extremo del eje superior, luego ajuste con la Tuerca de bloqueo de la cubierta de la voluta ❷ o los Pernos ❸ (dependiendo del modelo de la bomba).
5. Fije la Boquilla de goma ❷ a la salida del Cuerpo de la bomba ❸.



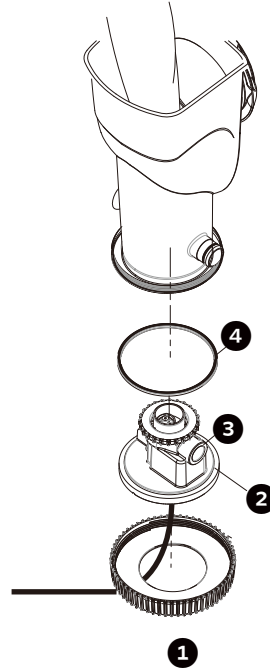
Si tuviera algún problema, llame al Servicio al cliente al número (888) 919-0070 de 8:00 a 17:00 (MST)
Lun, Jue, Vie. Días y horas ampliables durante la temporada alta.

PASO 3: Reemplazo/Reensamblaje de la Bomba

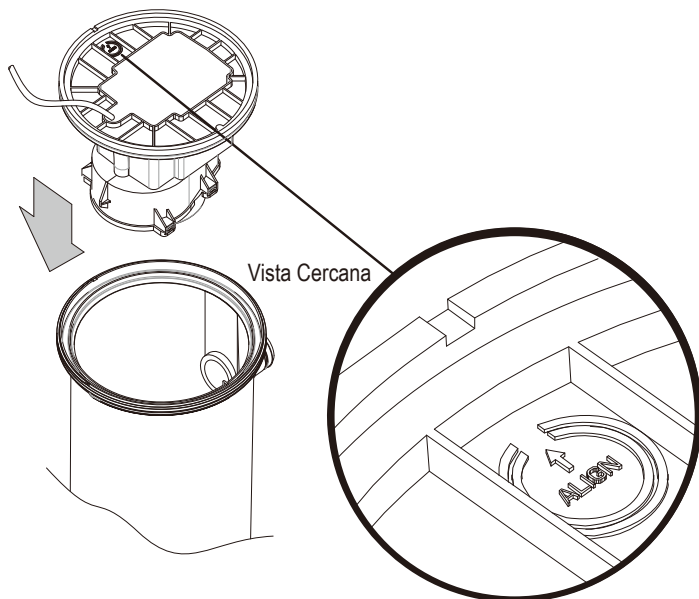
1. Lubrique el Empaque de la caja **4**, luego insértelo de regreso en la ranura (ranura interna para SFX600/SFX1000) en la parte inferior de la Caja del skimmer **9**.



IMPORTANTE: asegúrese que el cable del Conjunto del motor **3** esté colocado hasta la Tuerca del sello del motor **1** ANTES de reemplazar la Bomba.



- 2a. Si su Bomba se retira de la piscina, inserte lentamente el Conjunto del motor de regreso a la Caja volteada. Hay una marca en la parte interior de la Caja (solo visible desde la parte inferior), que necesita ser alineado con una marca en la parte inferior del Motor ((marcada con "ALIGN", ALINEAR); para este fin, asegúrese que la flecha de la marca de "ALIGN" apunte a la marca de la Caja.

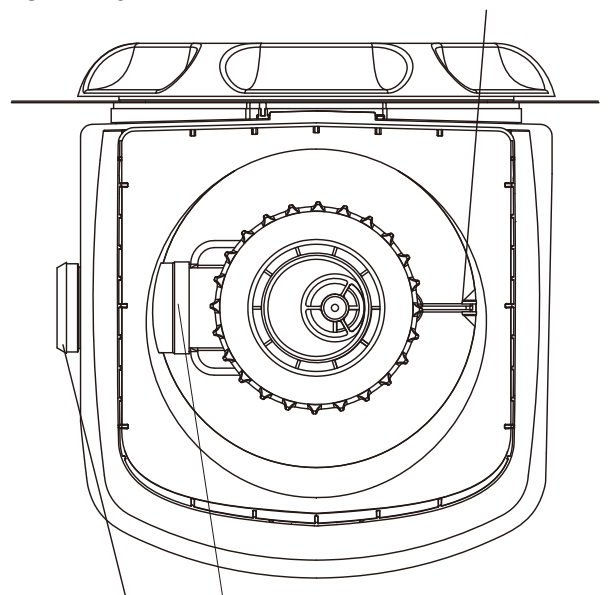


VISTA HACIA ABAJO DEL MOTOR Y CAJA DE FILTRO

- 2b. Si su Bomba queda enganchada a la piscina, ingrese por dentro de la Caja para tirar hacia arriba del Ensamblaje del Motor e insértelo de regreso a la Caja. Asegúrese de que la llave de la Caja ingrese en la ranura de la muesca en la Bomba para alinear la Boquilla de goma **2** con la abertura de la manguera de la Caja; de lo contrario, la Bomba puede incluso presentar una fuga a pesar de estar bloqueada en su lugar.

Asegúrese que la llave de la Caja esté ranurada en la muesca de la Bomba

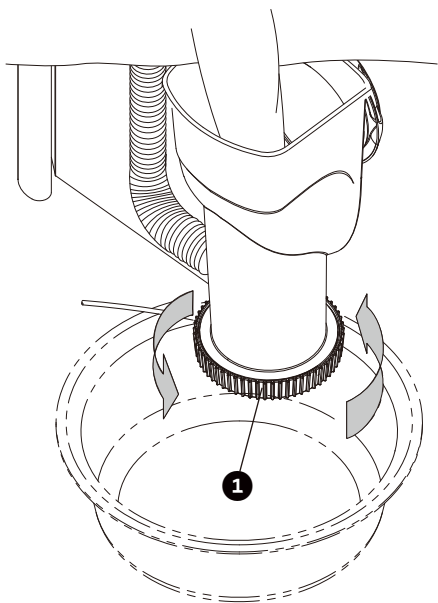
VISTA HACIA ARRIBA



Salida de la caja de filtro alineada con la boquilla de goma de la bomba/motor **2**.

3. Una vez que el motor esté correctamente alineado, aparee las roscas de la Tuerca del sello del motor ❶ a las de la Caja y luego ajuste la Tuerca hacia la izquierda.

IMPORTANTE: asegúrese que la Tuerca y la Caja no tengan las roscas cruzadas; de lo contrario, pueden producirse fugas.



GUÍA DE RESOLUCIÓN DE PROBLEMAS

⚠ ADVERTENCIA: DESENCHUFE EL CABLE DE ALIMENTACIÓN ANTES DE SOLUCIONAR CUALQUIER PROBLEMA EN LA BOMBA DE FILTRACIÓN.

Problema	Causa	Solución
1. El Motor de la Bomba 3 no arranca, o se enciende y apaga.	A La Bomba no está enchufada	A Enchufe el set de cable de alimentación GFCI 26 a un tomacorriente correctamente puesto a tierra. Luego presione el botón RESET para iniciar la Bomba.
	B El set de cable de alimentación GFCI 26 y/o el interruptor se ha desconectado	B Reinicie su interruptor en el panel eléctrico. Si el problema persiste, que el circuito lo verifique un electricista calificado.
	C Voltaje bajo	C Verifique y asegúrese que la tensión de la línea esté entre 105 V de CA y 125 V de CA.
2. No hay agua o bajo flujo de agua desde la Boquilla de retorno 18	A El nivel del agua de la piscina es bajo	A El nivel de agua debe estar entre las líneas MÍN y MÁX en el Anillo obturador del skimmer 22 .
	B Entrada/Salida de agua obstruida	B Verifique en busca de obstrucciones en el Cesta del prefiltro 24 , la Cartucho de filtro tipo 7 , la Manguera 12 y la Boquilla de retorno 18 .
	C El Cartucho de filtro tipo 7 está demasiado sucio	C Limpie o reemplace el Cartucho siguiendo los pasos de USO Y CUIDADO DEL CARTUCHO DE FILTRO (p. 11).
	D Bloque del rotor del motor en busca de suciedad	D Consulte las instrucciones de mantenimiento de la bomba para limpiar la suciedad.
3. La Bomba no está limpiando la piscina correctamente; p. ej. agua turbia/verde	A Nivel inadecuado de cloro	A Mantenga el nivel de cloro entre 1.0 y 1.6ppm.
	B Nivel inadecuado de pH	B Mantenga el nivel de pH entre 7.3 y 7,8.
	C El Cartucho de filtro tipo 7 está demasiado sucio	C Limpie o reemplace el Cartucho siguiendo los pasos de USO Y CUIDADO DEL CARTUCHO DE FILTRO (p. 11).
	D El Cartucho de filtro tipo 7 está dañado	D Inspeccione el cartucho para ver si hay orificios o rasgones. Si está visiblemente dañado, reemplácelo por uno nuevo.
	E Flujo de agua lento	E Verifique en busca de obstrucciones en el Cesta del prefiltro 24 , la Cartucho de filtro tipo 7 , la Manguera 12 y la Boquilla de retorno 18 .
	F Hacen falta otros productos químicos	F Lleve una muestra de agua de su piscina para que pase por pruebas en una tienda de suministros de piscina. Podría necesitar agregar otras sustancias químicas ya que la calidad del agua varía en diferentes lugares.
	G El agua de la piscina está demasiado sucia	G Encienda la bomba más a menudo, pero nunca cuando esté en uso. Limpie/sustituya el cartucho filtrante más a menudo.
4. Fuga de agua	A Manguera 12 - Las conexiones de manguera con la Caja del skimmer 9 y/o el Codo de 90° 13 no están aseguradas.	A Verifique que las Abrazaderas 11 de la manguera estén firmemente ajustadas sobre la Manguera y los Anillos negros de la conexión de la manguera 10 ; ajuste y reajuste de ser necesario. Asimismo verifique la Manguera en busca de fisuras u orificios y reemplácela de ser necesario.
	B Parte inferior de la Caja 9	B Vea el PASO 3: Reemplazo/Reensamblaje de la Bomba, p. 15-16: B1. El Empaque de la Caja 4 debe caber en la ranura (ranura interna para SFX600/SFX1000) en la parte inferior de la Caja antes de instalar la bomba. B2. Verifique el alineamiento de la Bomba. La flecha de la marca de la Bomba (marcada con "ALIGN", ALINEAR) TIENE QUE apuntar a la marca de la Caja (solo visible desde la parte inferior). B3. Asegúrese que la Tuerca del sello del motor 1 no tenga las roscas cruzadas.
	C Entre la Caja 9 y la pared de la piscina	C Asegúrese que el Sello de goma del empaque del skimmer 25 esté instalado correctamente. Ver INSTRUCCIONES DE INSTALACIÓN (3) Y (4), p. 9: - Las dos llaves del Empaque deben estar en la parte superior. - El revestimiento de la piscina no esté atrapado en las roscas. - No hay espacios entre el empaque y la caja. - El sello del skimmer 22 esté firmemente ajustado en la Caja.

Si tuviera algún problema, llame al Servicio al cliente al número (888) 919-0070 de 8:00 a 17:00 (MST)
Lun, Jue, Vie. Días y horas ampliables durante la temporada alta.

INFORMACIÓN SOBRE EL PEDIDO DE PIEZAS DE REPUESTO

Llave	Descripción	SFX600	SFX1000	SFX1500
		N.º De Pieza		
1	Tuerca de sellado del motor	P58PP1954W05	P58PP1954W05	P58PP1954W05
		P58PP1954G8U	P58PP1954G8U	P58PP1954G8U
2	Boquilla	P58182601K01	P58182601K01	P58185201K01
3	Conjunto del motor	P58X0601C000	P58X1001C000	P58X1500C000
4	Junta del cartucho	P58147800K01	P58147800K01	P58164800K01
5	Cubierta superior	P58PP1950W05	P58PP1950W05	P58PP1950W05
		P58PP1950G8U	P58PP1950G8U	P58PP1950G8U
6	Espuma de retención	P58SFX002W01	P58SFX002W01	P58SFX002W01
7	Cartucho de filtro tipo D (solo SFX600)	P581041037PR	--	--
	Cartucho de filtro tipo A/C (SFX1000 o SFX1500)	--	P581041080PR	P581041080PR
8	Rebosadero	P58PP1956W05	P58PP1956W05	P58PP1956W05
		P58PP1956G8U	P58PP1956G8U	P58PP1956G8U
9	Caja del skimmer	P58PP1984W05	P58PP1951W05	P58PP1983W05
		P58PP1984G8U	P58PP1951G8U	P58PP1983G8U
10	Anillo negro de la conexión de la manguera	P58030001K01	P58037000K01	P58037000K01
11	Abrazadera de la manguera	P58220221W05	P58219221W05	P58219221W05
		P58220221G8U	P58219221G8U	P58219221G8U
12	Manguera de retorno	P58125009W01	P58150012W01	P58150012W01
13	Codo de 90°	P58PF1740W05	P58PF1700W05	P58PF1700W05
		P58PF1740G8U	P58PF1700G8U	P58PF1700G8U
14	Tuerca de la RF	P58PF1690G8U	P58PF1690G8U	P58PF1690G8U
		P58PF1690W05	P58PF1690W05	P58PF1690W05
15	Arandela de empuje de la RF (blanca)	P58PF2960W05	P58PF2960W05	P58PF2960W05
		P58PF2960G8U	P58PF2960G8U	P58PF2960G8U
16	Pared de la piscina (Ref.ª)	--	--	--
17	JEmpaque de la RF (negro)	P58PF1730K01	P58PF1730K01	P58PF1730K01
18	Boquilla de retorno (RF), roscada	P58PF1680W05	P58PF1680W05	P58PF1680W05
		P58PF1680G8U	P58PF1680G8U	P58PF1680G8U
19	Desviador de la RF, roscado	P58PF1721W05	P58PF1721W05	P58PF1721W05
		P58PF1721G8U	P58PF1721G8U	P58PF1721G8U
20	Anillo de bloqueo de la RF, roscado	P58PF1710W05	P58PF1710W05	P58PF1710W05
		P58PF1710G8U	P58PF1710G8U	P58PF1710G8U
21	Tapón de servicio	P58PF0620K01	P58PF0620K01	P58PF0620K01
22	Anillo obturador del skimmer	P58PP1953W05	P58PP1953W05	P58PP1953W05
		P58PP1953G8U	P58PP1953G8U	P58PP1953G8U
23	Tapón de agua	P58PP2163K01	P58PP2163K01	P58PP2163K01
24	Cesta del prefiltro	P58PP1952P01	P58PP1952P01	P58PP1952P01
25	Sello de goma del empaque del skimmer	P58PP1957W05	P58PP1957W05	P58PP1957W05
27	Ensamblaje de Rotor	P58050137001	P58050505001	P58050506001
28	Tapadera de la voluta	P58PF1009K01	P58PF1009K01	P58184501K01
29	Tuerca de la voluta (SFX600 & SFX1000)	P58PF1010K01	P58PF1010K01	--
30	Tornillo para la voluta (SOLO SFX1500)	--	--	P5800400080A

Si tuviera algún problema, llame al Servicio al cliente al número (888) 919-0070 de 8:00 a 17:00 (MST)
Lun, Jue, Vie. Días y horas ampliables durante la temporada alta.

Free Manuals Download Website

<http://myh66.com>

<http://usermanuals.us>

<http://www.somanuals.com>

<http://www.4manuals.cc>

<http://www.manual-lib.com>

<http://www.404manual.com>

<http://www.luxmanual.com>

<http://aubethermostatmanual.com>

Golf course search by state

<http://golfingnear.com>

Email search by domain

<http://emailbydomain.com>

Auto manuals search

<http://auto.somanuals.com>

TV manuals search

<http://tv.somanuals.com>