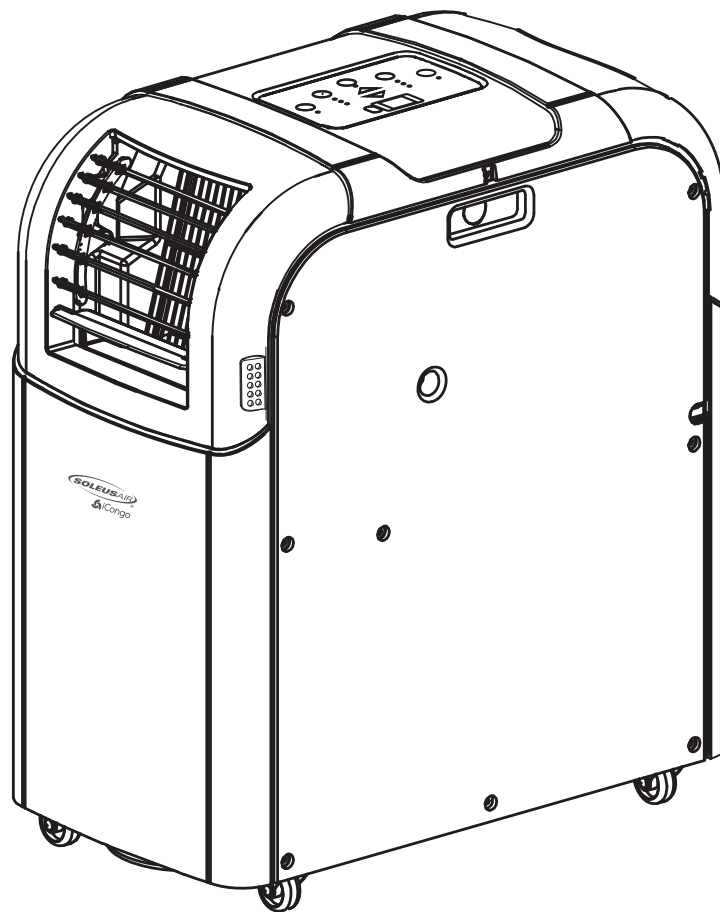


8,000/10,000/12,000 BTU Portable Air Conditioner Operating Instructions



*Model No.: PSQ-08-01
PSQ-10-01
PSQ-12-01*

Thank you for choosing a Soleus Air Portable Air Conditioner. This owner's manual will provide you with valuable information necessary for the proper care and maintenance of your new product. Please take a few moments to thoroughly read the instructions and familiarize yourself with all the operational aspects of your new Soleus Air Portable Air Conditioner.

For your own records, please attach a copy of your sales receipt to this manual. Also, write the store name/location, date purchased, and serial number below:

Store Name: _____

Location: _____

Date Purchased: _____

Serial Number (located on back of unit): _____

IMPORTANT INSTRUCTIONS

Before installing and using your portable air conditioner, please read this owner's manual carefully. Store this manual in a safe place for future reference.

- 1) Always place the unit on a level surface.
- 2) Never use or store gasoline or other flammable vapor or liquid near this unit unless instructed by this manual.
- 3) Maintain at least 10 inches (25 cm) clearance space around this unit. Do not block or cover air inlet or outlet grilles.
- 4) The unit must be connected to a correctly grounded power supply.
- 5) Do not start or stop the unit by inserting or pulling out the power plug.
- 6) Do not use an adapter plug or extension cord.
- 7) Do not use the unit in the immediate surroundings of a bath, a shower or a swimming pool.
- 8) Do not insert anything into the air outlet. Do not obstruct air inlet or outlet grills unless instructed by this manual.
- 9) Do not let children play near this unit.
- 10) Always inspect the cord for signs of damage before use. If the power cord is damaged, it must be replaced by the manufacturer or a qualified service technician.
- 11) When cleaning the unit, always turn the unit off and unplug the power cord.
- 12) Do not mix old and new batteries in the remote control.

Do not mix Alkaline, Standard (Carbon - Zinc) or Rechargeable (Nickel - Cadmium) Batteries.

PACKAGE CONTENTS

Portable Air Conditioner (1)
 Exhaust Hose (1)
 Window Kit Adapter (1)
 Rubber Plug (2)
 Screw (1)
 Remote Control (1)
 AAA Batteries (2)
 Window Kit - Sliding Panels (2)
 Owner's Manual (1)

SPECIFICATIONS

- The cooling capacity is measured at an ambient temperature of DB 95°F, WB 83 °F.
- Noise level is measured at a distance of 3.28 ft away from the front of the unit, when the unit is in cooling mode.
- Power consumption is measured when the fan runs at the highest speed setting.
- These specifications are for reference only. For actual data, please refer to the rating label on the back of the unit.
- If the environment temperature is higher than the max operating temperature or lower than the minimum operating temperature, the air conditioner may not work properly.

MODEL NUMBER	PSQ-08-01	PSQ-10-01	PSQ-12-01
COOLING CAPACITY	8,000 BTU/Hr	10,000 BTU/Hr	12,000 BTU/Hr
DEHUMIDIFYING CAPACITY	86 pts/Day	86 pts/Day	86 pts/Day
COOLING POWER USAGE	1030 Watts, 8.9 Amps	1250 Watts, 11.2 Amps	1250 Watts, 11.2 Amps
AIR FLOW VOLUME	206 CFM	206 CFM	206 CFM
POWER SOURCE	115 V / 60 HZ	115 V / 60 HZ	115 V / 60 HZ
NOISE LEVEL	≤58 dB(A)	≤58 dB(A)	≤58 dB(A)
PRODUCT WEIGHT	61.7 Lbs	61.7 Lbs	61.7 Lbs
OPERATING TEMPERATURE	63°F -88°F	63°F -88°F	63°F -88°F
PRODUCT DIMENSIONS	12.25" W × 21.25" D × 25" H	12.25" W × 21.25" D × 25" H	12.25" W × 21.25" D × 25" H
REFRIGERANT	R-410A	R-410A	R-410A

LCDI POWER CORD AND PLUG

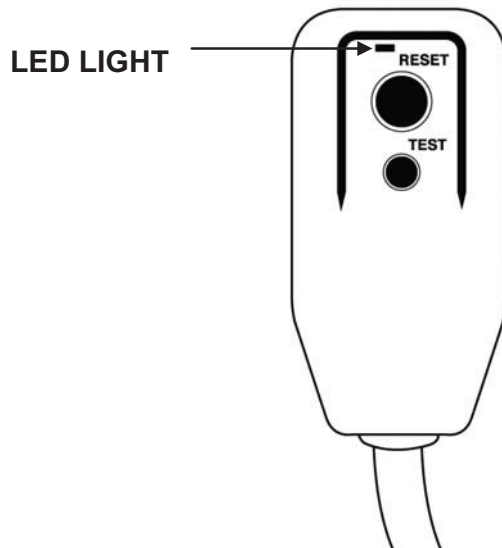
This air conditioner is equipped with an LCDI (Leakage Current Detection and Interruption) power cord and plug as required by US National Electric Code 440.65. This cord consists of a length of shielded flexible cord with no termination on the load side and a LCDI attachment plug on the line side.

The LCDI power cord and plug will remove the supply source via electrical disconnect (circuit trip) if the nominal current leakage between the cord shield and either load conductor exceeds a predetermined value. The cord will remain de-energized until the device has been manually reset. This is intended to reduce the risk of a fire in the power cord or combustible materials nearby. The cord shields are not grounded and they must be considered a shock hazards if exposed. The cord shield must not be connected to ground or to any exposed metal.

The test and reset buttons on the LCDI Plug are used to check if the plug is functioning properly. To test:

1. Plug power cord into wall outlet. The LED light will turn on.
2. Press TEST Button, circuit should trip, cutting power to the air conditioner. When this occurs, the LED light will turn off.
3. Press RESET button to restore power to the machine. Once power is restored, the LED light will turn on again.

If test button is pressed and unit can still be turned on, current leakage has been detected. Do not use the air conditioner or attempt to reset the LCDI Plug. Contact Soleus Home Comfort for troubleshooting recommendations.



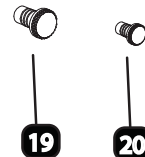
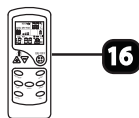
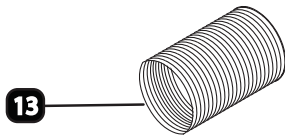
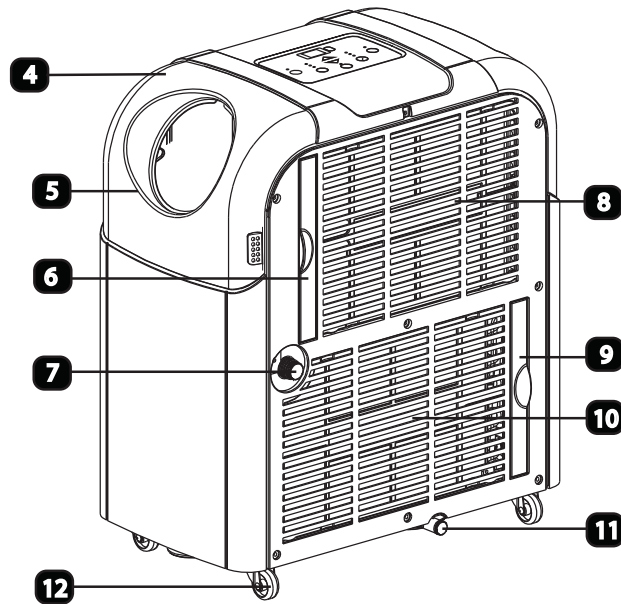
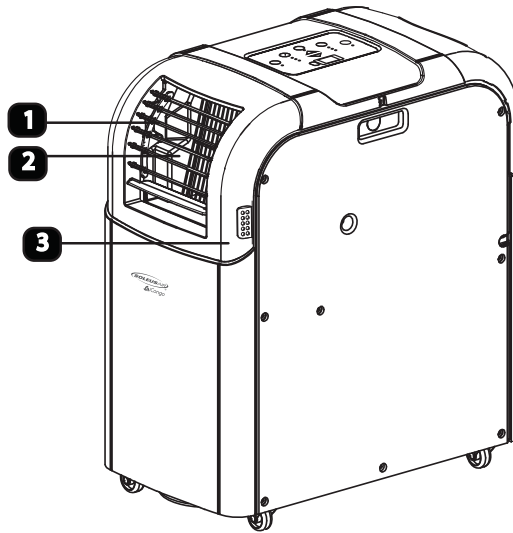
Note: Your unit's power cord and plug may differ from the one shown.

WARNING:

1. DO NOT press the TEST button while the air conditioner is operating.
2. The TEST and RESET buttons should not be used as "ON" and "OFF" switches.
3. The cord and plug are not intended to offer protection to externally connected loads or supply circuits.
4. The cord and plug are intended for indoor use only.

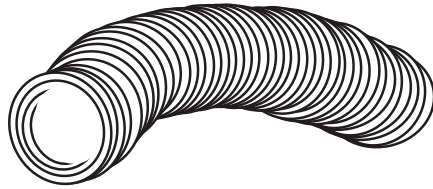
PRODUCT DIAGRAM

1. Adjustable Louver
2. Cold Air Outlet
3. Air Outlet Cover
4. Air Exhaust Cover
5. Hot Air Exhaust Opening
6. Cold Air Filter
7. Continuous Drain Port
8. Cold Air Intake
9. Hot Air Filter
10. Hot Air Intake
11. Condensation Drain Hole
12. Casters
13. Exhaust Hose
14. Screw
15. Window Kit
16. Remote Control
17. AAA Batteries
18. Window Kit Adapter
19. Continuous Drain Rubber Plug
20. Condensation Drain Rubber Plug

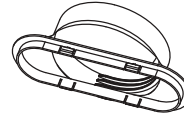


PARTS & ASSEMBLY

PARTS

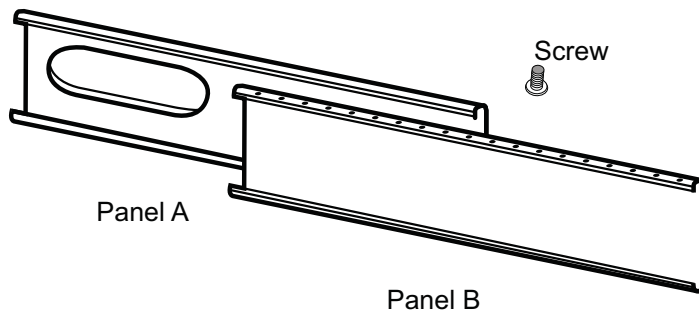


Exhaust Hose



Window Kit Adapter

WINDOW KIT



Panel A

Panel B

Screw

ASSEMBLY & INSTALLATION

INSTALLATION

When the unit is operating as an air conditioner or dehumidifier, the unit draws in indoor air and exhausts hot air out of the room to complete the air exchange. When the unit is operating in fan mode no outdoor air exchange takes place. The window kit and exhaust hose do not need to be installed when the unit is used as a fan.

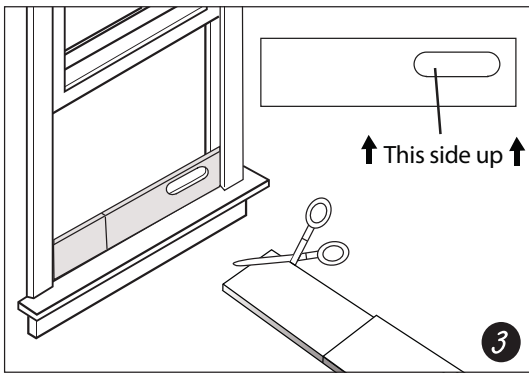
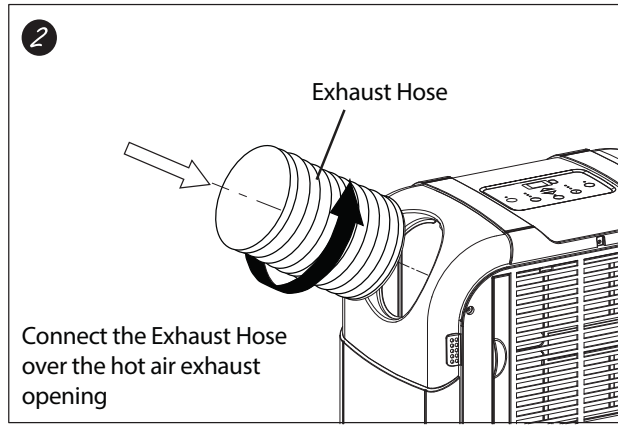
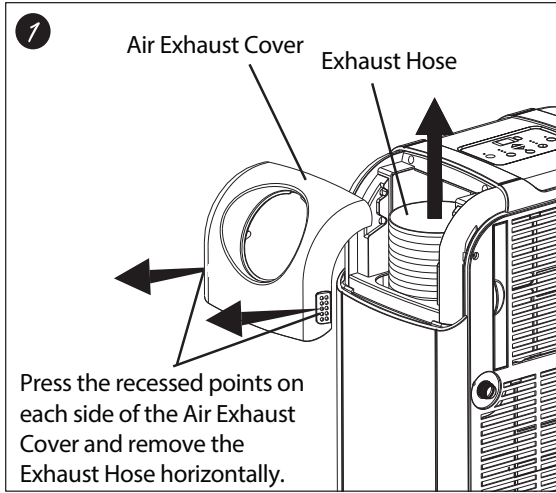
NOTE: The supplied window kit can be installed in sliding windows and sliding glass doors up to 4.2 ft. long (approximate length).

WINDOW KIT INSTALLATION

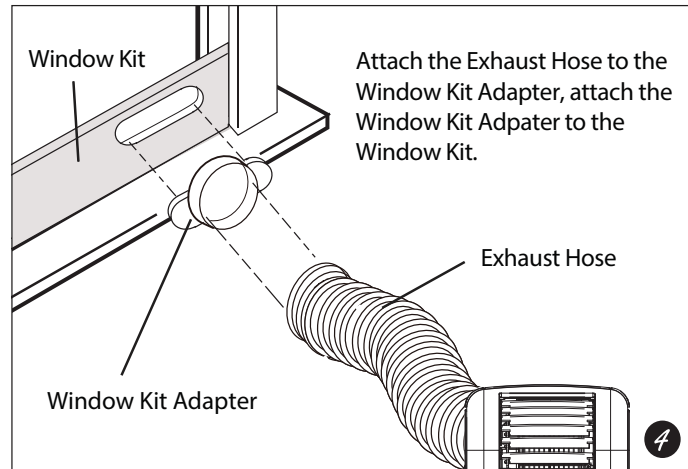
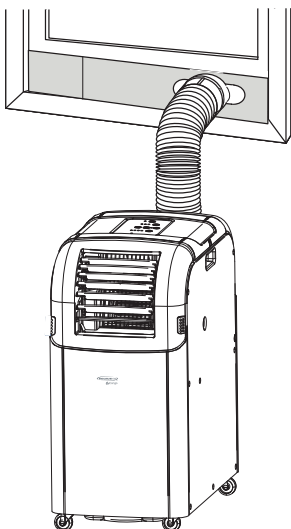
FOR SINGLE HOSE AIR CONDITIONER

The venting kit must be installed in order for the unit to work correctly in the air conditioner mode and dehumidifier mode. The venting kit should not be used while the unit is fanning.

The window kit has been designed to fit into most vertical and horizontal window openings.



Close the window tightly. Your portable air conditioner is good to go.

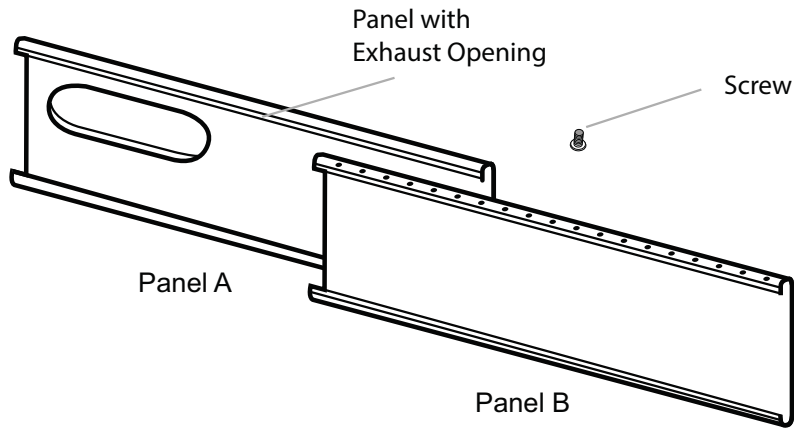


Note: Use the least amount of Exhaust Hose length as possible to maximize efficiency.

Note: When using the venting system, keep the Exhaust Hose as straight as possible. The Exhaust Hose can be shortened, but it is not recommended to increase the length of the Exhaust Hose. DO NOT use an extension cord with your portable air conditioner.

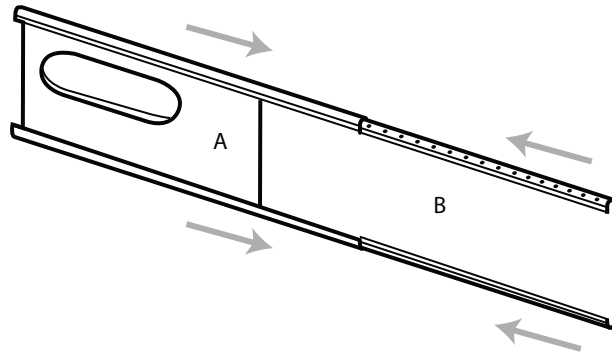
Note: The unit above may differ from the unit described in the manual, the above directions and images show general directions for Soleus Air single hose Portable Air Conditioner.

WINDOW KIT ASSEMBLY GUIDE



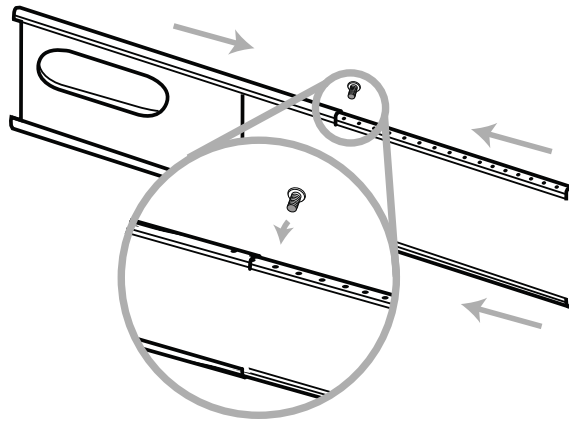
1. Parts:

- Panel A: with exhaust hose opening
- Panel B
- Screw to lock window kit in place



2. Assembly:

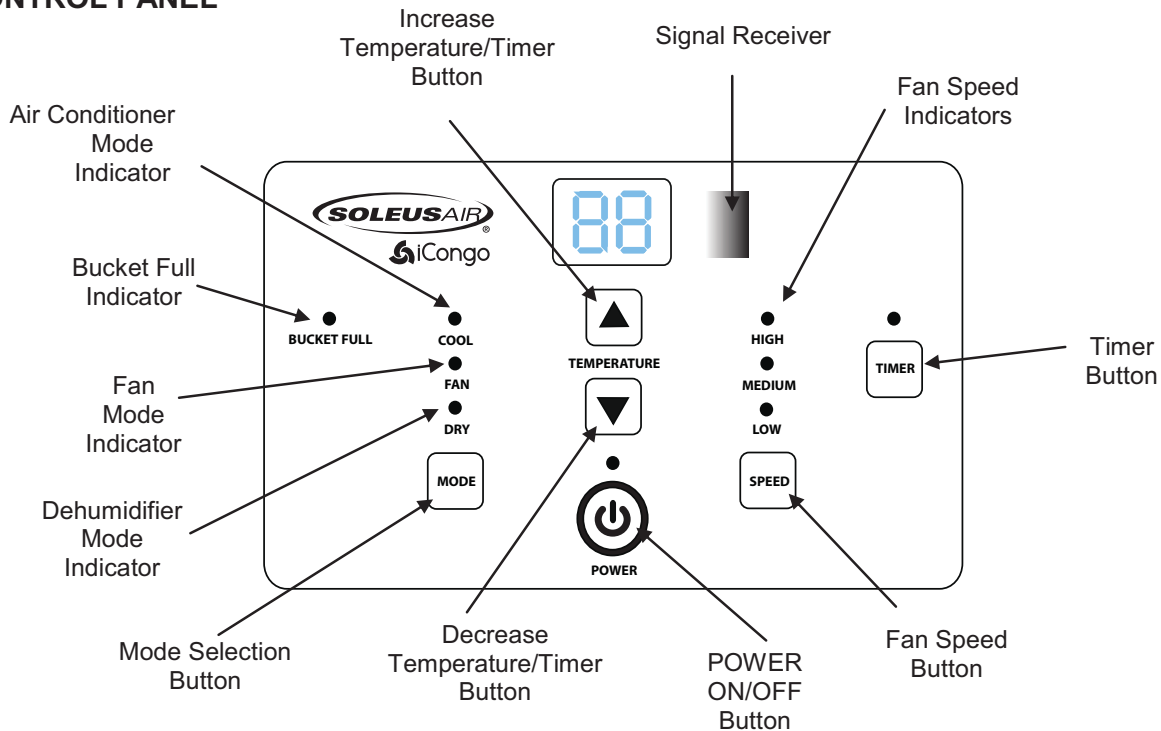
Slide Panel B into Panel A and size to window width. Windows sizes vary. When sizing the window width, be sure that the window kit assembly is free from gaps and/or air pockets when taking measurements.



3. Lock the screw into the holes that correspond with the width that your window requires to ensure that there are no gaps or air pockets in the window kit assembly after installation.

CONTROL PANEL, DISPLAY, & OPERATING INSTRUCTIONS

CONTROL PANEL



OPERATING INSTRUCTIONS

CONTROL PANEL BUTTONS

- 1) **Power On and Off** - Press the **POWER** button once to manually turn the unit on. Press the **POWER** button once more to turn the unit off.
- 2) **Mode Selection** - Press the **MODE** Button repeatedly to cycle between the different modes: Air Conditioner mode, Dehumidifier (Dry) mode, and Fan only mode. Each press of the MODE button will light up a different icon on the control panel. The exhaust hose and window kit must be installed when the unit is in Air Conditioner, and Dehumidifier mode. When using the unit as a fan, it is not necessary to keep the exhaust hose and window kit connected to the unit.
- 3) **Temperature** - Select the desired temperature by pressing either ▲ or ▼ key when using the unit in Air Conditioner mode. The temperature indicator flashes to display the desired temperature setting. After the desired temperature is set, the temperature indicator will flash 10 seconds before it returns to current room temperature. The temperature indicator display shows temperature in Fahrenheit.
- 4) **Bucket Full** - When the unit cannot evaporate the collected moisture fast enough, the excess water will collect in a backup water tank located inside the unit. Once the tank is full, Bucket Full indicator will light up.
- 5) **Louver Direction** - This unit has 2-way directional louvers. Use the louver guides manually to direct air up and down.
- 6) **TIMER** - Press the **TIMER** button to turn the unit auto-on or auto-off. Set the timer by pressing either ▲ or ▼ button.

OPERATING THE UNIT

Air Conditioner Mode

- 1) Install the exhaust hose and window kit properly (see pages 7 & 8).
- 2) Plug the Power Cord into an electrical outlet.
- 3) Turn on the unit by pressing the **POWER** button.
- 4) Press the Mode button until the air conditioner mode indicator lights up on the control panel display.
- 5) Press the ▲ or ▼ until the desired room temperature appears on the control panel display. The temperature ranges from 63°F - 88°F.
- 6) Select the desired fan speed by pressing the **SPEED** button on control panel.

NOTE: During hot days, the unit will cool the room most efficiently by setting the temperature at the lowest setting and the fan speed on high. Reducing the length of the exhaust duct, insulating the exhaust hose and window kit, and keeping direct sunlight to a minimum will also improve the cooling efficiency.

NOTE: When the unit is running on air conditioning mode, the exhaust hose is required and must be vented outside using the supplied window kit.

Dehumidifier Mode

- 1) Install the exhaust hose and window kit properly (see pages 7 & 8).
- 2) Plug the Power Cord into an electrical outlet.
- 3) Turn on the unit by pressing the **POWER** Button.
- 4) Press the **MODE** button until the dehumidifier mode indicator lights up on the control panel display.

NOTE: The unit operates at low fan speed during dehumidifier mode. The unit cools room slightly during the dehumidification process. Keep the windows and doors closed to aid the effectiveness of the unit in removing the moisture from the room.

NOTE: When the unit is running on dehumidifier mode, the exhaust hose is required and must be vented outside using the supplied window kit.

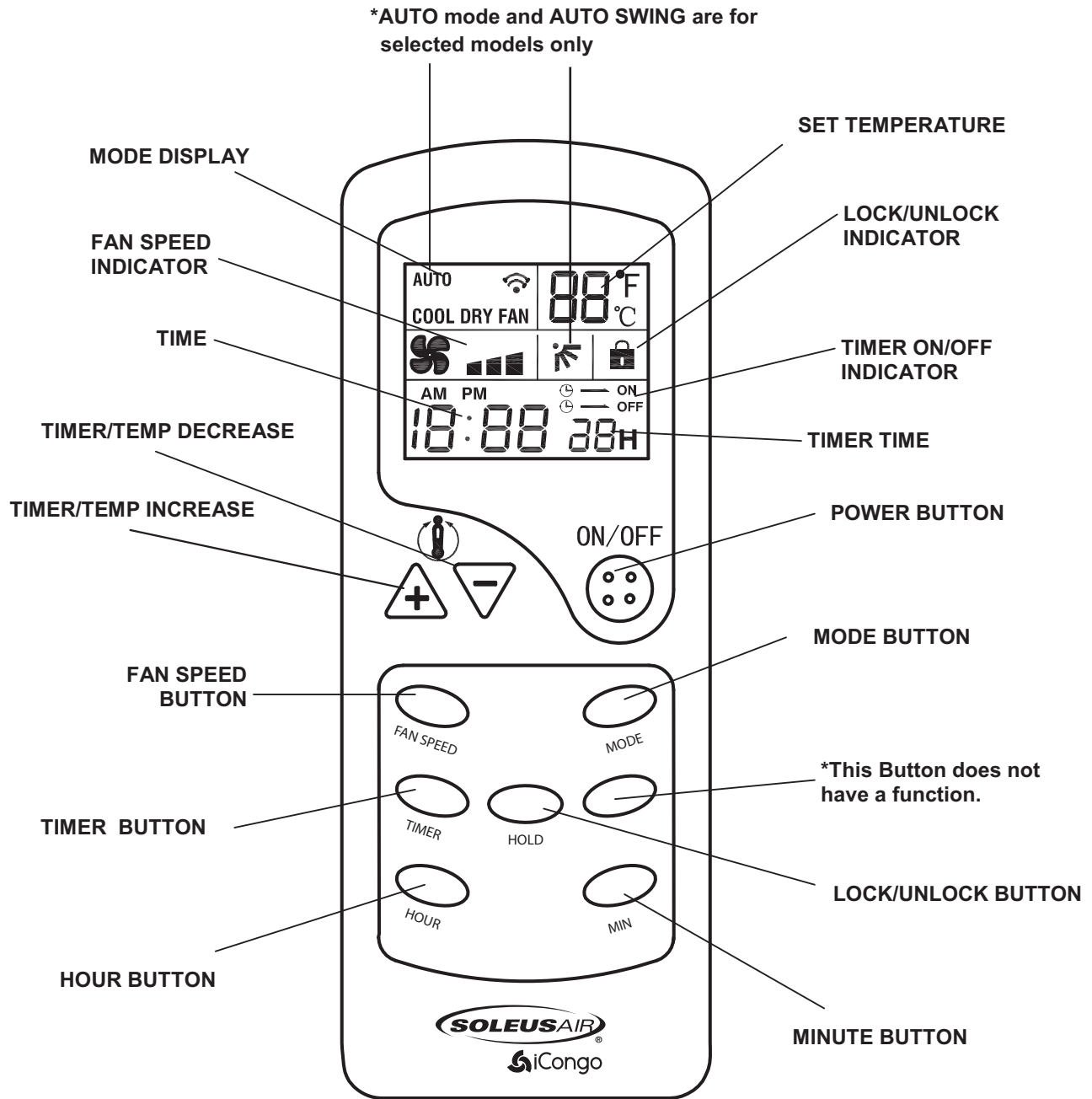
Fan Mode

- 1) Plug the Power Cord into an electrical outlet.
- 2) Turn on the unit by pressing the **POWER** button on the control panel.
- 3) Press the **MODE** button until the fan mode indicator lights up on the control panel display.
- 4) Select the fan speed by pressing the **SPEED** button.

NOTE: It is not necessary for the exhaust hose and window kit to be installed to operate the unit in fan mode.

OPERATING THE UNIT USING THE REMOTE CONTROL

REMOTE CONTROL



* Remote Colors may differ from the image above

REMOTE CONTROL OPERATING INSTRUCTIONS

- 1) **Power On and Off** - If the unit is already on, press the **ON/OFF** button on the remote while pointing the remote away from the unit. This will turn the remote on. If the unit is off, now press the **ON/OFF** button once to turn the unit on. Press the **ON/OFF** button once more to turn the unit off. When in Air Conditioner mode, the selected temperature will appear on the remote control LCD display.
- 2) **Mode Selection** - Press the **MODE** Button repeatedly to cycle between the different modes: Air Conditioner, Dehumidifier, and Fan-Only mode. The selected mode will light up on remote control LCD display to indicate which mode the unit is currently operating in.
- 3) **Fan Speed** - Press the **FAN** speed button to cycle through high, medium, low fan speeds. When the unit is in Air Conditioner mode, the fan speeds will cycle through in this order: High, Medium, Low, When the unit is in Fan mode, the fan speeds will cycle through in this order: High, Medium, Low.
- 4) **Temperature Setting** - When the unit is in Air Conditioner mode you can select your desired temperature. Press the **▲** or **▼** to select your desired temperature setting. The temperature on the LCD display on the remote control will increase or decrease accordingly.
- 5) **TIMER**
Auto-On: To program the timer, when the unit is off, point the remote at the unit and press the **TIMER** button. Once **TIMER** is pressed, the timer **ON** indicator will display on the remote control LCD display. Press the **HOUR** button to set the timer. The timer can be set in intervals of 1 hour up to 12 hours.

Auto-Off: While the unit is operating, point the remote at the unit and press the **TIMER** button. Once the **TIMER** is pressed, the timer **OFF** indicator will display on the remote control LCD display. Press the **HOUR** button to set the timer. The timer can be set in intervals of 1 hour up to 12 hours.

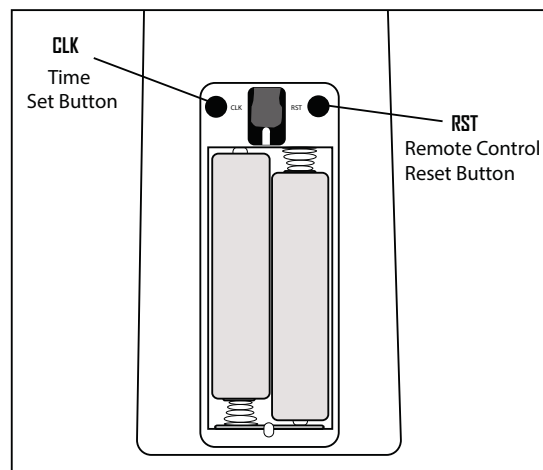
- 6) **Hold Button** - Press this button to lock and unlock the remote control.

Time Adjustment

1. Remove cover on back of the remote control to expose **CLK** button.
2. Use a paper clip or pen to press **CLK** button; present time on LCD display will start to flash.
3. Press **HOUR** or **MIN** button to adjust time.
4. Press **CLK** button again to complete set up.

Reset Remote Control

Use a paper clip or pen to press the **RST** button once to reset the remote control.



CONTINUOUS DRAIN OPTION

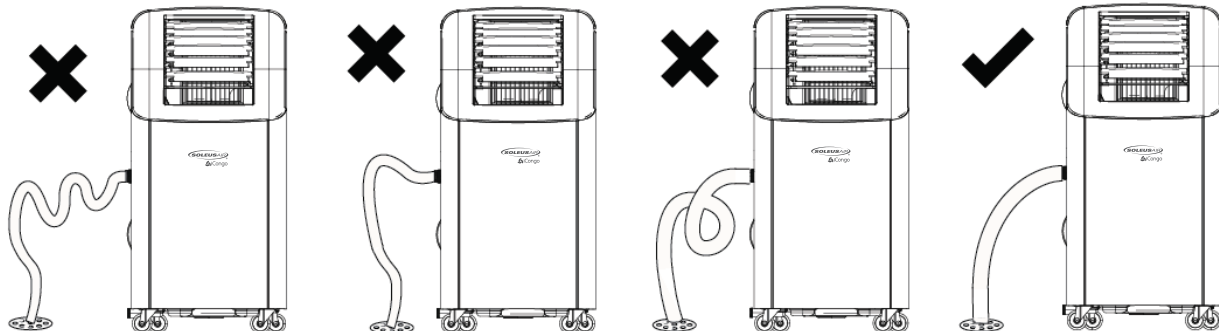
This portable air conditioner is designed to evaporate moisture drawn from the air through the vented exhaust hose. During periods where excess moisture is in the air, a garden hose can be installed to drain water continuously from the unit, eliminating interruptions in operation. When a garden hose is installed, excess moisture is drained from the unit automatically. This process allows excess moisture to bypass the internal water tank for continuous operation in humid conditions.

To install, simply attach a standard garden hose (not included) to the drain port on the side of the unit. The thread standard for garden hoses in the US and its territories is known as GHT or "garden hose thread" which has an outer diameter of 1 1/16 inches (1.0625 inches or 27.0 mm) and a pitch of 11.5 TPI.

HOW TO INSTALL CONTINUOUS DRAIN OPTION:

1. Place Portable AC on a level surface.
2. Remove the plug on continuous drain port on the side of the unit to access the Garden Hose Drain Port.
3. Thread a garden hose (not supplied) onto the accessible Garden Hose Drain Port.
4. Lead Garden hose to a floor drain and cut to length.
5. Make sure that there are no kinks or knots in the garden hose (See Picture Below)
6. Turn on the unit and gravity draining will begin automatically.

Garden Hose Installation Reference Guide



EXCESS MOISTURE MAINTENANCE

BUCKET FULL INDICATOR

When the Internal Water Tank is full, the Bucket Full light will illuminate and the unit will automatically shut down. The air conditioner will resume normal operation once Internal Water Tank is emptied.

INTERNAL WATER TANK

When the room temperature is low and the indoor humidity is high, the air conditioner may not be able to evaporate some of the moisture fast enough. When this happens, the water will accumulate in an internal water tank inside the unit. The internal water tank holds approximately 1.5 liters of water. When this tanks becomes full, the unit will automatically shutdown and illuminate the Bucket Full indicator.

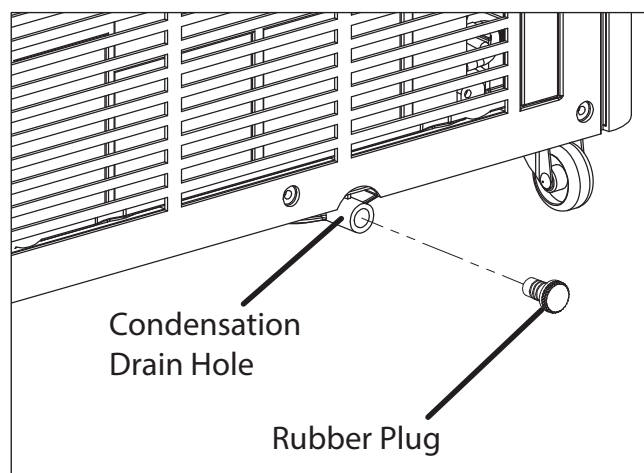
Optional Continuous Internal Water Tank Drainage: For continuous and automatic Internal Water Tank draining, purchase a small hose from a hardware store that can fit around the 9/16” condensation drain hole on the bottom side of the unit. Lead the hose to a floor drain or larger pan for continuous drainage. It is not advised to use continuous drainage when the room temperature is higher than 90°F.

HOW TO DRAIN THE INTERNAL WATER TANK

*You will need a small pan, approximately 1” high to catch the water coming out of the water tank. Once the water tank is empty, the unit will resume operation within a few minutes.

1. Do not move the unit when the water container is full. (Water will spill out)
2. Place a small pan under the condensation drain hole on the bottom side of the unit.
3. Remove the rubber plug from the drain port. The condensate water will drain out automatically.
4. When the drain pan is full, install the rubber plug back onto the drainage hole to stop the water flow.
5. Empty the drain pan.
6. Repeat steps 2-5 until all the water is emptied.

NOTE: Once the condensate tank has been emptied, firmly press the rubber plug back onto the condensation drain hole. It is not advised to use continuous drainage when the room temperature is higher than 90°F .



MAINTENANCE

Note: Make sure power is off and the power cord is not plugged into an electrical outlet prior to performing any maintenance on the unit.

Clean or replace filter - If the air filter is blocked with dust, the airflow volume may be reduced. It is recommended to clean the filter once every two weeks or as needed.

- 1) Remove the filters from the filter compartment on the left of the unit.
- 2) Wash the air filters by immersing it gently into warm water with a neutral detergent. Rinse the filter and dry it thoroughly out of sunlight.
- 3) Slide the filter back into the filter compartment after it is thoroughly dried.
- 4) If the filter is torn or unusable, order a new filter by calling the customer service number on the warranty page of this manual.

Clean the unit Housing

- 1) Keep the unit from being exposed directly to the sun to prevent color fading.
- 2) Clean the surface with a damp cloth and dry it with a soft towel.

Storing the Unit for an Extended Period of Time or Transporting the unit

- 1) Empty any excess water by unplugging the water drainage stop in left of the unit (located at the bottom).
- 2) Unplug the unit.
- 3) The unit should be stored in a cool dry place.

DISCLAIMER

ALL INFORMATION AND THE TECHNICAL SPECIFICATIONS PRESENTED IN THIS USER'S MANUAL ARE THE PRESENTATION OF THE MANUFACTURER. SOLEUS HOME COMFORT HAS NOT CONDUCTED INDEPENDENT TEST TO THE INFORMATION AND THE SPECIFICATIONS PRESENTED HEREWITHIN.

TROUBLESHOOTING

PROBLEM	CAUSE	SOLUTION
Air conditioner does not power on	<ul style="list-style-type: none"> • Unit is not plugged in. • No electric current to outlet. • Internal safety device has tripped. 	<ul style="list-style-type: none"> • Plug unit in. • Check electric breaker box for a trip. • Wait 30 minutes for safety device to reset.
Air conditioner works for a limited amount of time	<ul style="list-style-type: none"> • There are bends in the exhaust hose. • Something is blocking the air from being discharged. 	<ul style="list-style-type: none"> • Position the air exhaust hose correctly, keeping it as short and free of curves as possible. • Check and remove anything obstructing air discharge.
During operation, there is an unpleasant smell in the room	<ul style="list-style-type: none"> • Air filter is dirty. 	<ul style="list-style-type: none"> • Remove air filters, clean and re-install.
Air conditioner does not operate after restarting the unit	<ul style="list-style-type: none"> • The internal compressor safety device prevents the unit from being restarted until three minutes have elapsed since it was last turned off. 	<ul style="list-style-type: none"> • Wait for compressor to turn on.
The control panel display shows error codes	<ul style="list-style-type: none"> • The unit has a self diagnosis system to identify a number of malfunctions. 	<ul style="list-style-type: none"> • See page 18 to diagnosis the code.

SELF-DIAGNOSIS SYSTEM MALFUNCTION CODES

SELF-DIAGNOSIS

The unit has a self diagnosis system to identify a number of malfunctions. Error messages are displayed on the control panel display.

Error Codes	Possible Causes	Error Messages
E2	Temperature Sensor Failure	Self Diagnosis
E3	Internal Pipe Sensor Failure	Self Diagnosis; Turn Off the Unit
E4	CPU Failure	System Shut Down

WARRANTY

One Year Limited Warranty

Five Year Sealed System Limited Warranty

Soleus Home Comfort warrants the accompanying Soleus Air Portable Air Conditioner to be free of defects in material and workmanship for the applications specified in its operation instruction for a period of ONE (1) year from the date of original retail purchase in the United States.

If the unit exhibits a defect in normal use, Soleus Home Comfort will, at its option, either repair or replace it, free of charge within a reasonable time after the unit is returned during the warranty period.

As a condition to any warranty service obligation, the consumer must present this Warranty Certificate along with a copy of the original purchase invoice.

THIS WARRANTY DOES NOT COVER:

- Damage, accidental or otherwise, to the unit while in the possession of a consumer not caused by a defect in material or workmanship.
- Damage caused by consumer misuse, tampering, or failure to follow the care and special handling provisions in the instructions.
- Damage to the finish of the case, or other appearance parts caused by wear.
- Damage caused by repairs or alterations of the unit by anyone other than those authorized by Soleus Home Comfort.
- Freight and Insurance cost for the warranty service.
- Filter and Accessories.

ALL WARRANTIES, INCLUDING ANY IMPLIED WARRANTY OF MERCHANT ABILITY ARE LIMITED TO ONE-YEAR DURATION OF THIS EXPRESS LIMITED WARRANTY. **SOLEUS HOME COMFORT** DISCLAIMS ANY LIABILITY FOR CONSEQUENTIAL OR INCIDENTAL DAMAGES AND IN NO EVENT SHALL SOLEUS HOME COMFORT'S LIABILITY EXCEED THE RETAIL VALUE OF THE UNIT FOR BREACH OF ANY WRITTEN OR IMPLIED WARRANTY WITH RESPECT TO THIS UNIT.

This warranty covers only new products purchased from our authorized dealers or retailers. It does not cover used, salvaged, or refurbished products.

As some states do not allow the limitation or exclusion of incidental or consequential damages, or do not allow limitation on implied warranties, the above limitations and exclusions may not apply to you. This warranty gives you specific legal rights, and you may also have other rights that vary from state to state.

For Technical Support and Warranty Service
Please Call 1-877-976-5387

www.mjcsupply.com

Free Manuals Download Website

<http://myh66.com>

<http://usermanuals.us>

<http://www.somanuals.com>

<http://www.4manuals.cc>

<http://www.manual-lib.com>

<http://www.404manual.com>

<http://www.luxmanual.com>

<http://aubethermostatmanual.com>

Golf course search by state

<http://golfingnear.com>

Email search by domain

<http://emailbydomain.com>

Auto manuals search

<http://auto.somanuals.com>

TV manuals search

<http://tv.somanuals.com>