

GARAGE PARKING SENSOR

PARK YOUR CAR EXACTLY WHERE YOU WANT IT



INSTRUCTIONS

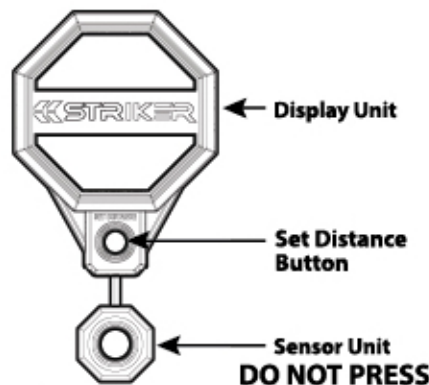
www.StrikerHandTools.com
 Questions? Call 704-658-9332
 Mooresville, NC 28115

INTRODUCTION

Let the Garage Parking Sensor help you consistently guide your car to a safe stopping distance. The Garage Parking Sensor is low maintenance and easy to install.

The Garage Parking Sensor consists of a sensor module and a display module. The sensor module transmits harmless ultrasonic pulses that are reflected by an incoming object.

When a vehicle is detected, more pulses are transmitted to track the incoming vehicle speed and distance. The display unit, mounted where the driver can easily see it, uses a bright GREEN light to indicate that the vehicle has been detected. A bright YELLOW light indicates when you are close to your stopping distance. When the vehicle reaches the desired stopping distance, a RED light will illuminate and stay on.



Installing Batteries

This unit requires 4 AA batteries.

1. Remove the battery compartment cover on the back of the sensor module.
2. Insert 4 new 'AA' alkaline batteries (not included) according to polarity diagram inside battery compartment.
3. Replace cover.

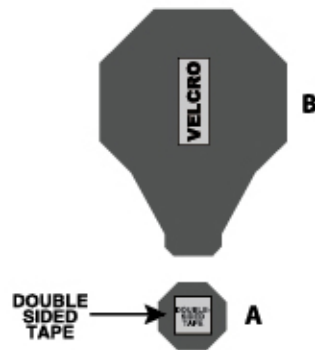
When it is time to replace the batteries, the display module will flash a yellow light every 6 seconds.

MOUNTING THE GARAGE PARKING SENSOR

ADHESIVE STRIPS & VELCRO MOUNTING:

The large display unit will be mounted within the drivers line of sight. The small sensor will be mounted directly below the display. It should be level with the center of the car bumper.

1. Place the double-sided tape onto the back of the small sensor module.
2. Mount the small sensor at bumper height of the vehicle that is intended for use with the Garage Parking Sensor. Be sure the area of the wall, or mounting surface, is clean and free of any dust and debris. (See associated Images marked with an "A")



3. Peel off one side of the protective backing on the adhesive Velcro, and stick it to the back of the display unit.
4. Peel off the other side of the protective backing on the Velcro and mount it to the wall, or mounting surface, in front of the car at eye level for the driver. Be sure the surface you are mounting the display to is clean and free of any dust or debris. (See associated Images marked with an "B")



OPERATION

The Striker Garage Parking Sensor should now be properly installed and ready for use.

SETTING THE DESIRED STOPPING DISTANCE

The Striker Garage Parking Sensor can be adjusted to set the stop zone from 6 inches away from the sensor up to 6 feet away from the sensor.

The default distance is set to turn the red light on at 1 foot from the sensor. If you would like a different stopping distance follow the steps below. You may change the distance as many times as you like.

1. Park your car exactly where you want it (Ignoring the default settings on the parking sensor). It may be wise to have a 2nd person guide you to the desired location to ensure you don't hit anything with your car.
2. Once your car is parked exactly where you would like the red light to turn on, simply press the red "Set Distance" button firmly. The red, yellow, and green LEDs will light up. Release the button. (Note: you can reset the parking distance anytime by repeating this step.)
3. Your Striker Garage Parking Sensor is now set to illuminate the red light at that distance every time your vehicle approaches the sensor.
4. Test your new setting by slowly driving your car into your garage. If your reaction times are slow to stop the car when the red light illuminates, you may want to change the location when the red light illuminates to allow for the delay.

NOTE:

Garage Parking Sensor stop distances can vary due to vehicle type, temperature, and weather. It is important to check your reaction time and leave sufficient stopping distance for these variations. Always test the desired stop distance when parking a new vehicle and adjust mounting location or stopping distance if necessary.

Walkway Lighting:

The Garage Parking Sensor is equipped with walkway lighting as a courtesy feature. The walkway lighting is a small light located on the bottom of the sensor. It will lightly illuminate the walk way area below the bumper of your vehicle, an area that is typically dark. The walkway light will illuminate when your vehicle reaches the predetermined stopping location and will stay on for 45 seconds. It will then time out and shut off.

CAUTION! The Garage Parking Sensor was designed for slow speed parking. For rapid entrance speeds, the display module may not accurately reflect distance, so approach slowly! Remember, this is only a parking aid. It does not stop your car. That is your job! Due to variations in driver skill and reaction time we make no guarantees with this product. Use at your own risk and approach with caution every time. When in doubt, stop the car and check the conditions and location of the car.

The Garage Parking Sensor is not suitable for use in wet

IMPORTANT: Remove batteries before storing the Garage Parking Sensor for extended periods. Batteries corrode over time and may cause permanent damage to the unit. Different types of batteries or new and used batteries should not be mixed. Exhausted batteries should be removed from the unit and disposed of properly.

LED INDICATION STATE:

Detection Zone (green LED).....15 - second time out
 Slowing Zone (yellow LED).....15 - second time out
 Stop Zone (red LED).....15 - second time out

Walkway Lighting (white LED).....45 second time out
 Low Battery Alert (yellow flashing LED): flash every 6 seconds

Minimum Stop Range.....~6 inches
 Maximum Stop Range.....~6 feet

The green light illuminates as soon as it detects your vehicle within 8 feet of the sensor.

The yellow light illuminates 1.5 feet from the predetermined stop zone.

WARRANTY:

Striker products are guaranteed: 1 year warranty against manufacture and material defects under normal use. In order to claim warranty, the original receipt must be presented. Claims under warranty will be repaired or replaced. Call Striker at 1-704-658-9332. This warranty gives you specific legal rights. Rights vary from state to state.

- Do not mix old and new batteries;
- Do not mix alkaline, standard (carbon-zinc), or rechargeable (Ni-Cd, Ni-MH, etc) batteries.
- Dispose of batteries properly.



Free Manuals Download Website

<http://myh66.com>

<http://usermanuals.us>

<http://www.somanuals.com>

<http://www.4manuals.cc>

<http://www.manual-lib.com>

<http://www.404manual.com>

<http://www.luxmanual.com>

<http://aubethermostatmanual.com>

Golf course search by state

<http://golfingnear.com>

Email search by domain

<http://emailbydomain.com>

Auto manuals search

<http://auto.somanuals.com>

TV manuals search

<http://tv.somanuals.com>