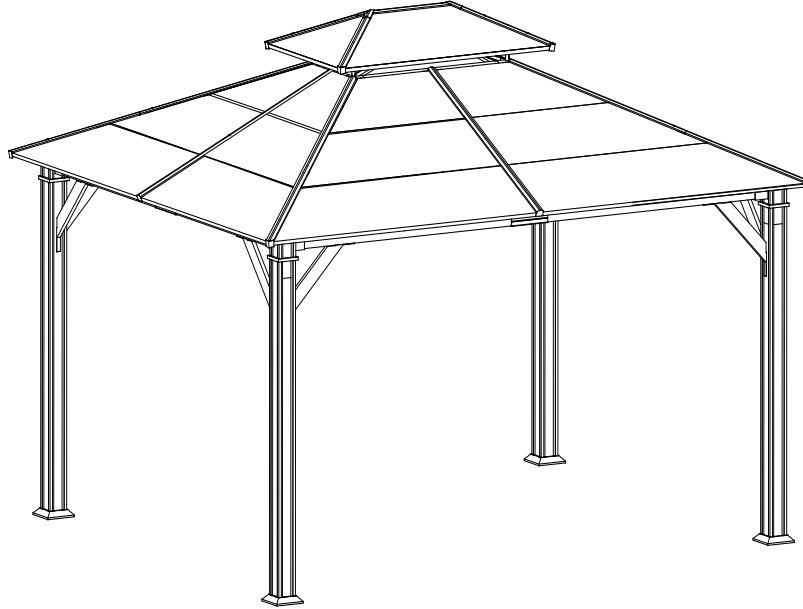


# Assembly Instructions

NS#: 110102003/110102008

Item#: D-GZ840PST-AS-16S (Black Top) / D-GZ840PST-AS-26S (Faux Copper Top)



Congratulations on your purchase of our SUNJOY 12'x10' Hardtop Gazebo. Our clear, easy to follow, step-by-step instructions will guide you through the assembly process from start to finish. All you will need is a screwdriver, a hammer and two ladders (not included) whose height is no less than 2.5 m.

## **WARNING:**

- **THIS UNIT IS HEAVY!** Do not assemble this item alone. 4 people are recommended for safe
- Keep all children and pets away from assembly area. Children and pets should be supervised when they are in the area of the Gazebo construction.
- Keep assembly area at least 6 feet from any obstruction such as a fence, garage, house, overhanging branches, laundry line or electrical wires.
- Some parts may contain sharp edges. When assembling and using this product, basic safety precautions should always be followed to reduce the risk of personal injury and damage to the product. Please read all instructions before assembly and use.
- Check all bolts for tightness before use, and periodically check and tighten bolts as necessary.
- Assemble on level ground.

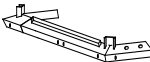
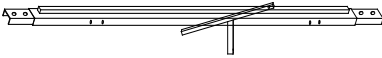


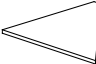
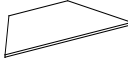







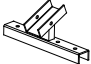
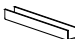






**Item Identification:** For ease of identification, all parts are labeled to correspond to the Step number in which the part is used



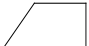



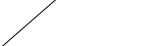

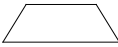
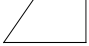
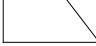
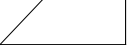

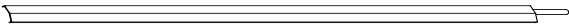


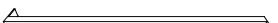







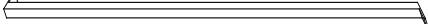
### **IMPORTANT**

Please take time to read these instructions thoroughly and follow each step carefully for safe and easy operation. Keep this manual for future reference.

For technical assistance on assembly or replacement parts. Please call Sunjoy Industries at 1-866-578-6569 from 8:00 am EST to 8:00 pm PST or fax the replacement part form which is in the box to 1-740-283-3549 or Email [customer.care@sunjoygroup.com](mailto:customer.care@sunjoygroup.com) for assistance.

## Parts List

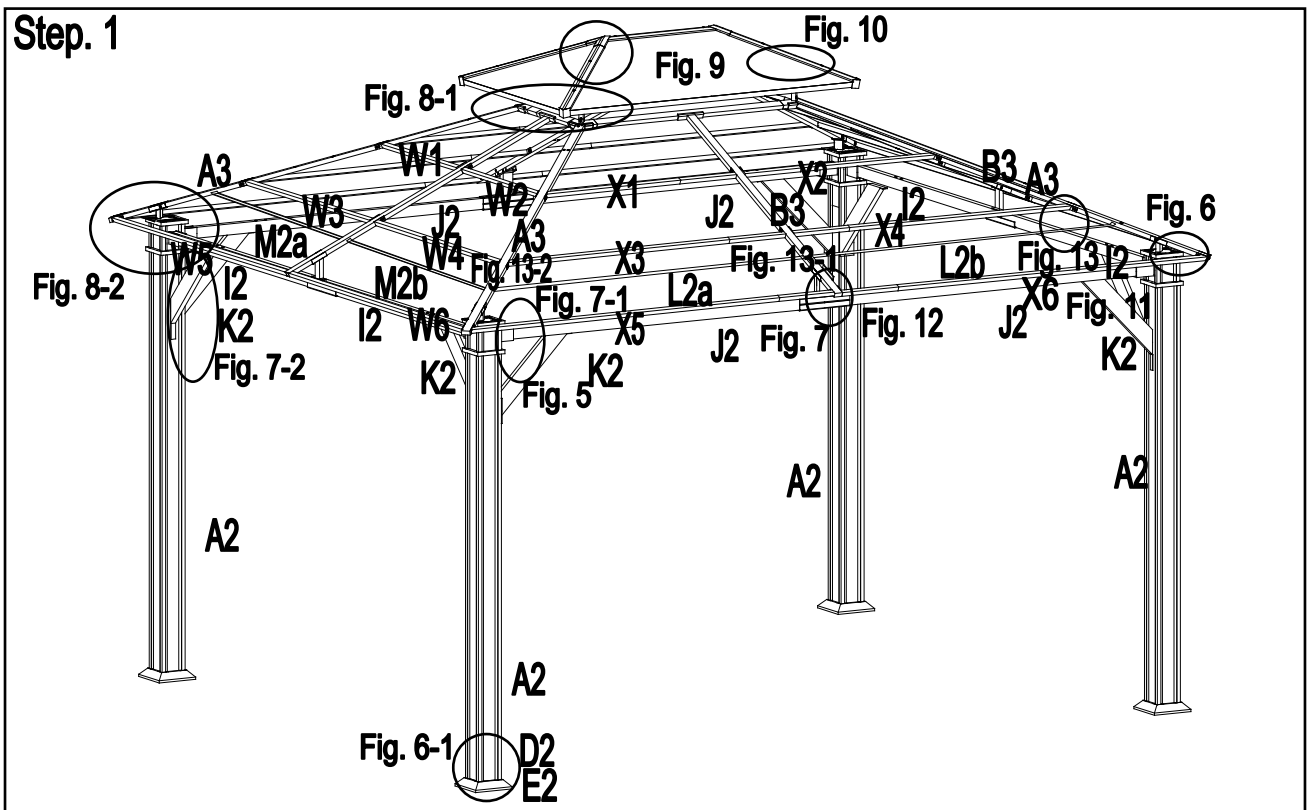
Big top frame	A1	2	
Big top bar	B1	2	
Small top support beam	C1	4	
Small top connector	D1	1	
Poohook	E1	1	
Small top roof panel 1	F1	2	
Small top roof panel 2	G1	2	
Small top cover	H1	4	
Small top roof cover	I1	1	
Post	A2	4	
Beam connector	C2	8	
Base cover	D2	4	
Base	E2	4	
Slanting bar connector	F2	4	
Beam connector (upper)	G2	4	
Beam connector (down)	H2	4	
Short beam	I2	4	
Long beam	J2	4	
Support piece	K2	8	
Long pipe 1	L2a	2	
Long pipe 2	L2b	2	
Short pipe 1	M2a	2	
Short pipe 2	M2b	2	

Top slanting bar	A3	4	
Top beam	B3	4	
Long side left roof panel 1	C3	2	
Long side right roof panel 1	D3	2	
Long side left roof panel 2	E3	2	
Long side right roof panel 2	F3	2	
Long side left roof panel 3	G3	2	
Long side right roof panel 3	H3	2	
Short side roof panel 1	I3	2	
Short side left roof panel 2	J3	2	
Short side right roof panel 2	K3	2	
Short side left roof panel 3	L3	2	
Short side right roof panel 3	M3	2	
Big roof panel cover (corner)	N3	4	
Big roof panel cover (middle)	O3	4	
Short beam of big roof (short side) (1)	W1	2	
Short beam of big roof (short side) (2)	W2	2	
Middle beam of big roof(short side) (1)	W3	2	
Middle beam of big roof(short side) (2)	W4	2	
Long beam of big roof (short side) (1)	W5	2	
Long beam of big roof (short side) (2)	W6	2	
Short beam of big roof (long side) (1)	X1	2	
Short beam of big roof (long side) (2)	X2	2	
Middle beam of big roof (long side) (1)	X3	2	
Middle beam of big roof (long side) (2)	X4	2	

Long beam of big roof (long side) (1)	X5	2	
Long beam of big roof (long side) (2)	X6	2	

### Hardware Pack 1

AA	M6*15 Bolt	96 PCS	
BB	M6 Washer	270 PCS	
CC	M6*60 Bolt	16PCS	
DD	M6 Nut	32 PCS	
EE	M6*35 Bolt	8 PCS	
FF	M6*15 Bolt	112 PCS	
GG	M6*70 Bolt	16 PCS	
HH	M6*45 Bolt	2 PCS	
Z	M6 Wrench	2 PCS	



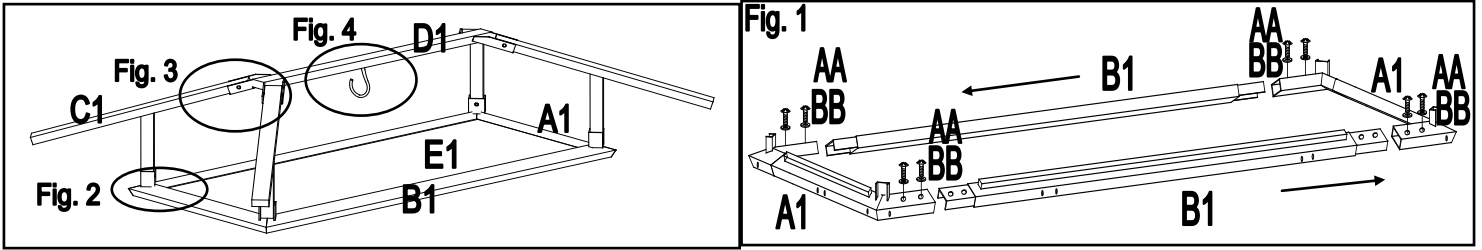


Fig.1: Fix Big top frame A1 and Big top bar B1 by using AA, BB.

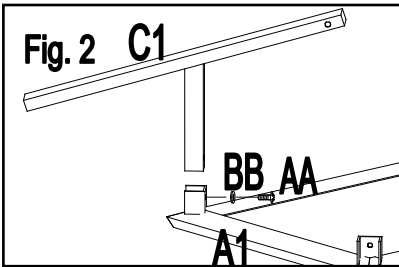


Fig.2: Fix Small top support beam C1 and Big top frame A1 by using AA, BB.

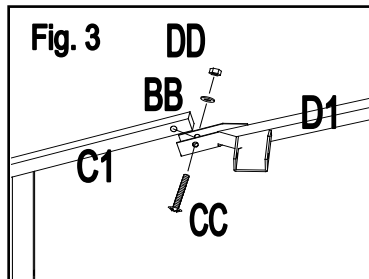


Fig.3: Fix Small top support beam C1 and Small top connector D1 by using DD, BB, CC.

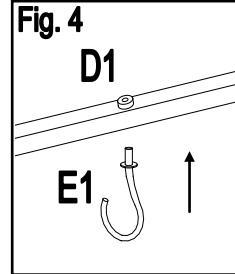


Fig.4: Screw the Pothook E1 into Small top connector D1.

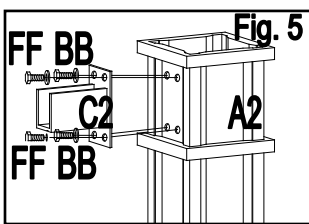


Fig.5: Attach Beam connector C2 and Post A2 by using FF, BB.

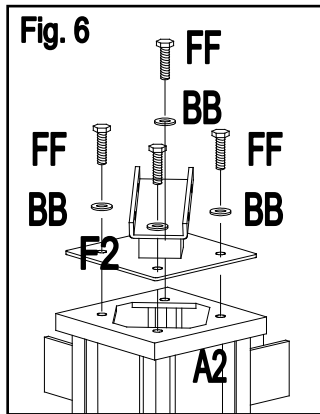


Fig.6: Attach Slanting bar connector F2 and Post A2 by using FF, BB.

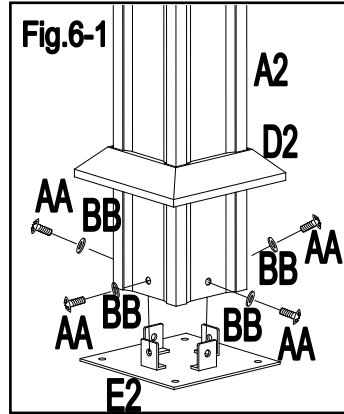


Fig.6-1: Insert Base cover D2 into Post A2, attach Base E2 and Post A2 by using AA, BB.

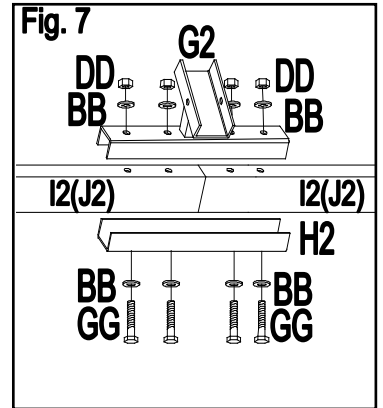


Fig.7: Attach Beam connector G2(H2) to Long beam J2 and Short beam I2 by using GG, BB, DD.

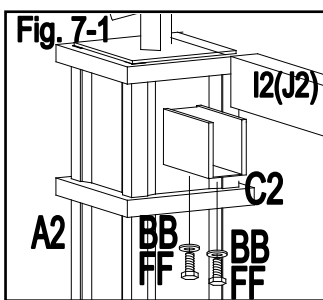


Fig.7-1: Fix Short beam I2, Long beam J2 and Beam connector C2 by using FF, BB.

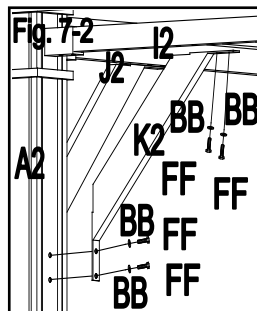


Fig.7-2: Fix Support piece K2 onto Post A2 and Short beam I2 (Long beam J2) by FF, BB.

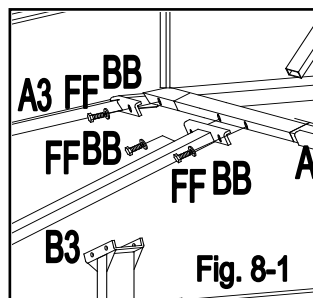


Fig.8-1: Attach Top slanting bar A3 and Top beam B3 to Big top frame A1 by using FF, BB. (Do step fig8.1 and fig8.2 at the same time, which is needed 2 pieces of 2M ladder.)

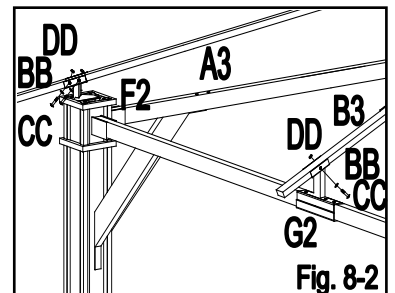


Fig.8-2: Attach Top slanting bar A3 to Slanting bar connector F2, Top beam B3 to Beam connector G2 by using CC, BB, DD. (Do step fig8.1 and fig8.2 at the same time)

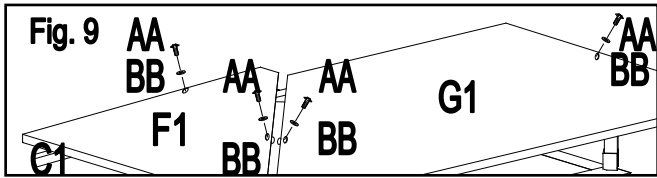


Fig.9: Fix Small top roof panel 1 F1 and Small top roof panel 2 G1 onto small Top support beam C1 by using AA, BB.

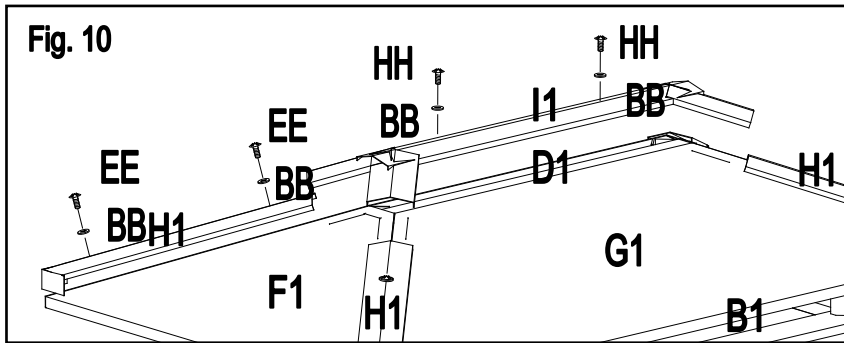


Fig.10: Fix Small top cover H1 onto Small top support beam C1 by using EE, BB, then fix Small top roof cover I1 and Small top connector D1 by using HH, BB.

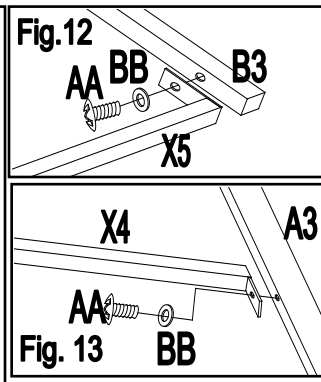
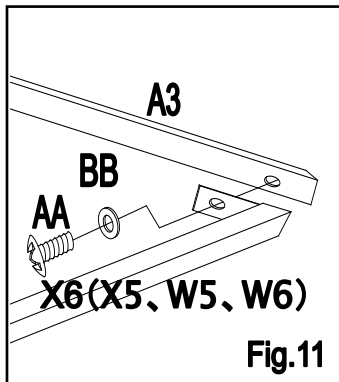


Fig.11: Attach Big roof top beam X6 (X5/W5/W6) to Top slanting bar A3 by using AA, BB.

Fig.12: Attach Big roof top beam X5 to Top beam B3 by using AA, BB. (Repeat the procedure for X1-X6, W1-W6.)

Fig.13: Attach Big roof top beam X4 to Top slanting bar A3 by using AA, BB (Repeat the procedure for X1-X4,W1-W4.)

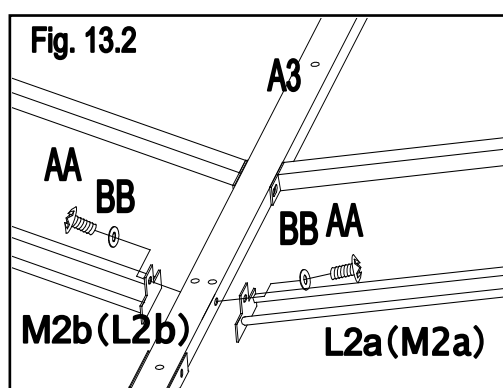
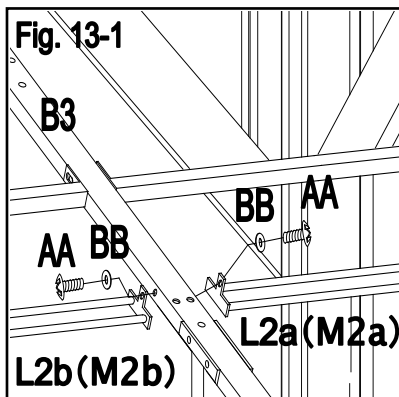
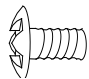

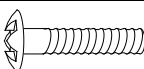
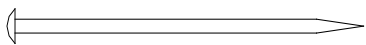


Fig.13-1: Attach Long pipe L2a (L2b), Short pipe M2a (M2b) and Top beam B3 by using AA and BB.

Fig.13-2: Attach Long pipe L2a (L2b), Short pipe M2a (M2b) and Top slanting bar A3 by using AA and BB.

## Hardware Pack 2

AA	M6*15 Bolt	44 PCS	
BB	M6 Washer	60 PCS	
EE	M6*35 Bolt	16 PCS	
KK	φ8X260 Stake	16 PCS	

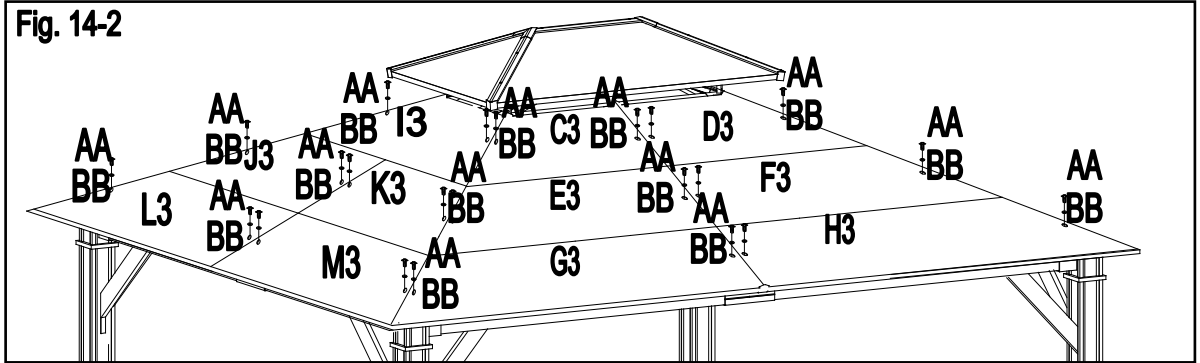
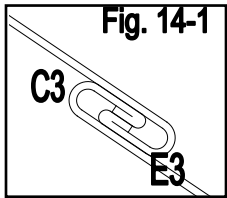
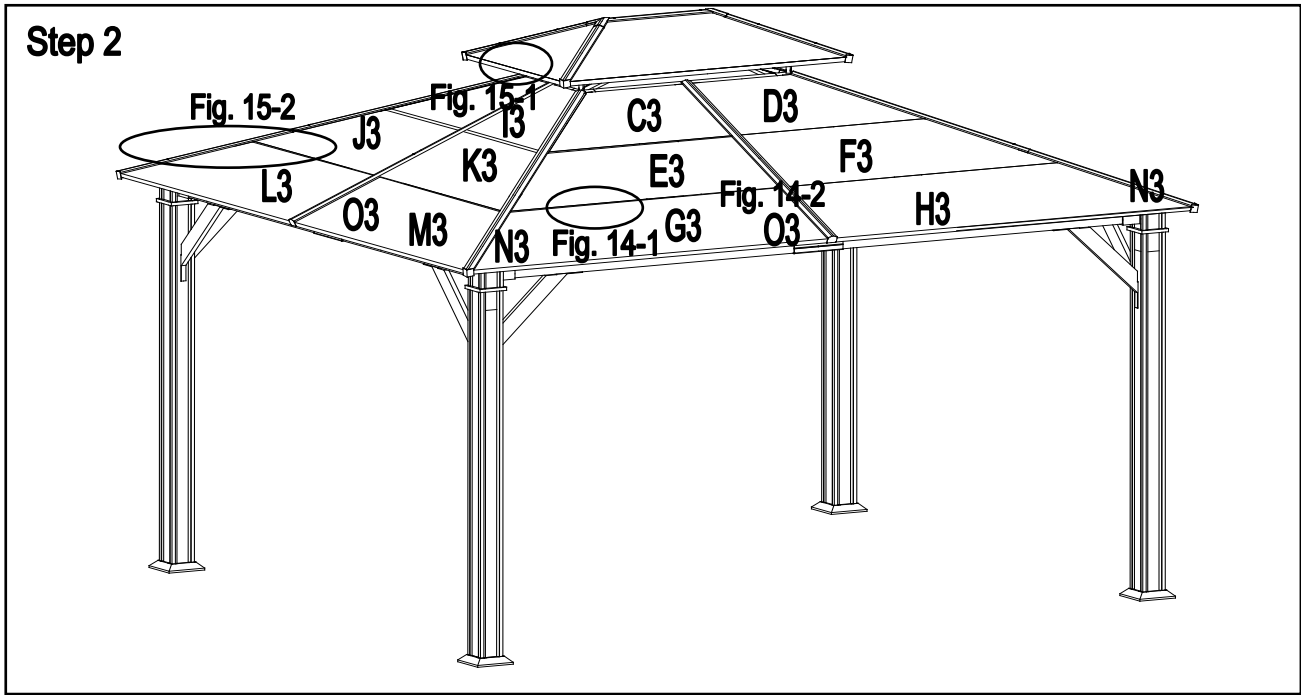


Fig.14-1: Connect Long side left roof panel C3 and Long side left roof panel E3 for a whole piece.

Fig.14-2: Attach Long side left roof panel C3 and Long side left roof panel E3 onto the top frame by using AA, BB (Repeat the procedure for D3, F3, G3, H3, I3, J3, K3, L3, M3)

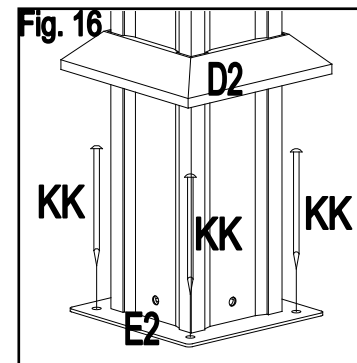
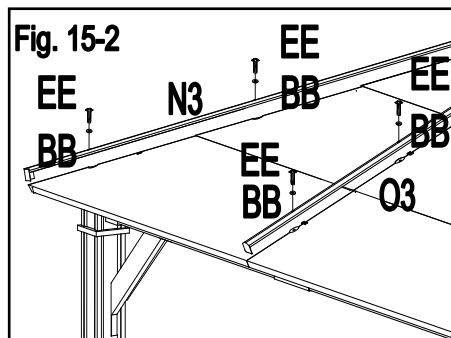
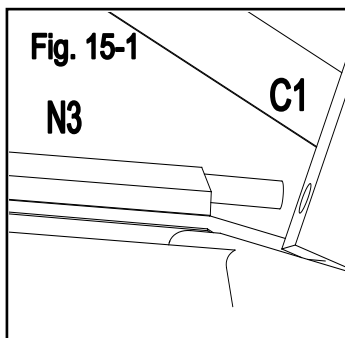
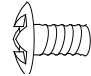

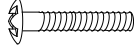
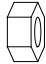
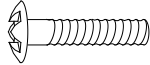
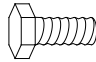
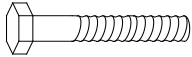


Fig.15-1: Insert Big roof panel cover N3 into the hole of Small top support beam C1.

Fig.15-2: Then attach Big roof panel cover N3 and Top slanting bar A3 by using EE, BB, lock Big roof panel cover O3 onto Top beam B3.

Fig.16: Put up Base cover D2, use Stake KK to fasten the gazebo on the ground. Put down Base cover D2 and now your gazebo is ready for use.

## Backup Parts

AA	M6*15Bolt	4 PCS	
BB	M6 Bigger flat washer	10 PCS	
CC	M6*60 Bolt	2 PCS	
DD	M6 Nut	3 PCS	
EE	M6*35 Bolt	2 PCS	
FF	M6*15 Bolt	4 PCS	
GG	M6*70Bolt	2 PCS	

### **IMPORTANT:**

1. Keep all children and pets away from assembly area. Children and pets should be supervised while gazebo is being assembled.
2. The assembled gazebo should be located at least 6 feet (2 m) from any obstruction such as a fence, garage, and house, overhanging branches, laundry lines or electrical wires.
3. This unit is heavy. Do not assemble this item alone. Six people are recommended for safe assembly.
4. Some parts may contain sharp edges. Wear protective gloves if necessary during assembly.
5. When assembling and using this product, basic safety precautions should always be followed to reduce the risk of personal injury and damage to equipment. Please read all instructions before assembly and use.
6. For outdoor use only. Install on level ground. 16 stakes are provided to secure the gazebo in the ground. If you wish to secure the pavilion to a wood deck or concrete surface, use 16 anchors suited for these surfaces (anchors not included).
7. Check all bolts for tightness before and during usage.
8. Please check your state and local regulations prior to purchasing. Some jurisdictions may require permits for installation and use. Some special procedures may be valid in your area.
9. While this gazebo is manufactured to withstand strong force winds through only the supplied ground stakes, securing the gazebo to a deck, concrete patio or a stronger base, in areas subject to frequent severe weather should be considered.

**NOTE:** The gazebo's roof and structure are not guaranteed against extreme weather conditions (storms, high winds, etc.). If the gazebo is not dismantled for the winter, snow must



be cleaned off regularly. Any damage caused by snow accumulation is not covered by the warranty.

**Limited Warranty:**

This limited warranty is extended to the original purchaser and applies to defects in materials and workmanship of your item provided the item is maintained with care and used only for personal, residential purposes.

The item is warranted to be free from defects in material or workmanship for a period of **one (1) year**. We don't reimburse for transportation or delivery costs, or compensate the individual or any outside party for assembling or disassembling the product.

**Exclusions:**

Items used for commercial, contract, or other non-residential purposes, or items damaged due to acts of nature, vandalism, misuse, or improper assembly are not covered. Corrosion or rusting of hardware is not covered. Proof of purchase (dated register receipt) is required for warranty claims. Warranty is to the original purchaser and is non-transferable. Any replacement of warranted items will be in the original style and color, or a similar style and color if the original is unavailable or has been discontinued. As some states do not allow exclusions or limitations on an implied warranty, the above exclusions and limitations may not apply. This warranty gives you specific rights, and you may also have other rights, which vary from state to state.

**Maintenance:**

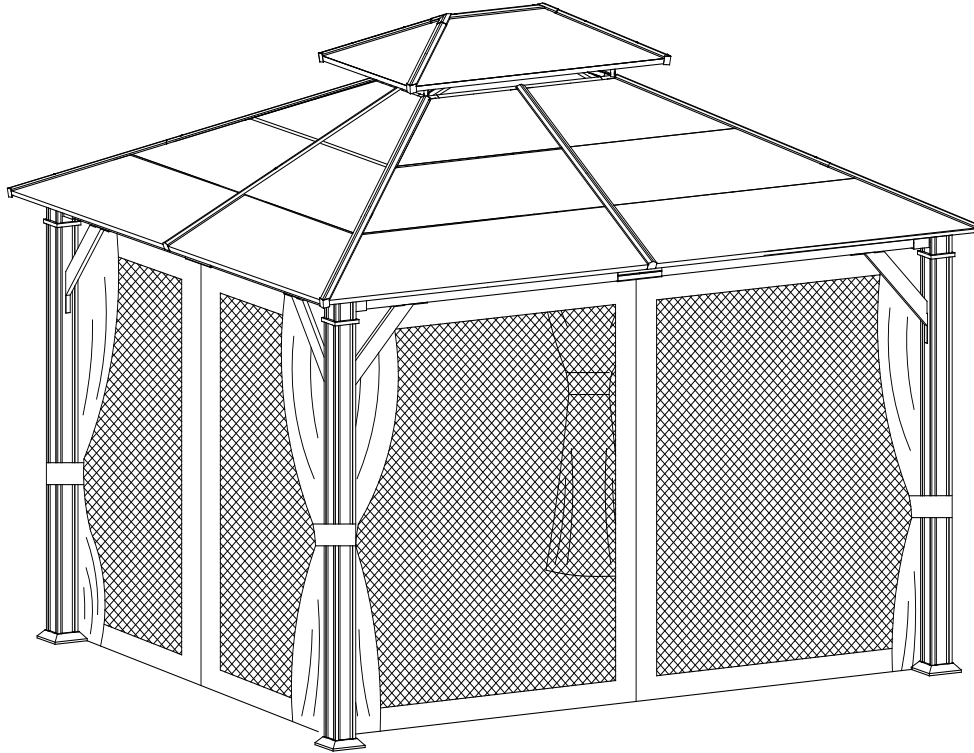
Our iron/steel components for garden accessories and patio items are coated with rust inhibiting paint that protects it from rusting. However, due to the nature of iron, surface oxidation (rusting) will occur once these protective coatings are scratched. This is a natural process and is not a defect! To minimize this condition, we recommend care when assembling & handling the product to prevent scratching the paint. Should any scratching or damage occur, we recommend immediate touch-up with rust inhibiting paint. Surface rust can also be easily removed with a very light application of common cooking oil. If surface oxidation (rusting) occurs and if no measure is taken to prevent this, the oxidation may start dripping on to deck or patio and cause damaging stains, which may be difficult to remove. This can be prevented if measure is taken to keep the product from oxidizing.


For technical assistance on assembly or replacement parts. Please call Sunjoy Industries at 1-866-578-6569 from 8:00 am EST to 8:00 pm PST or fax the replacement part form which is in the box to 1-740-283-3549 or Email [customer.care@sunjoygroup.com](mailto:customer.care@sunjoygroup.com) for assistance.

Made in China

# GAZEBO NETTING AND CURTAIN ASSEMBLY INSTRUCTIONS

Netting or Curatin is available separatley



Plastic ring	104 PCS	
--------------	---------	---

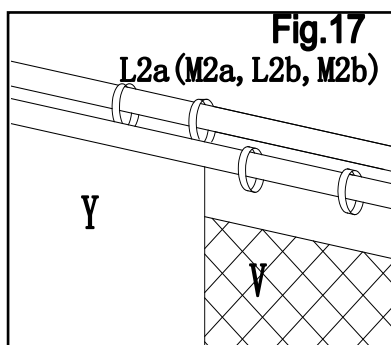


Fig.17: Hang Mosquito netting and curtain onto Long pipe 1 L2a (M2a, L2b, M2b) with Plastic ring , keep pipe lay on the inside of curtain.

## Free Manuals Download Website

<http://myh66.com>

<http://usermanuals.us>

<http://www.somanuals.com>

<http://www.4manuals.cc>

<http://www.manual-lib.com>

<http://www.404manual.com>

<http://www.luxmanual.com>

<http://aubethermostatmanual.com>

Golf course search by state

<http://golfingnear.com>

Email search by domain

<http://emailbydomain.com>

Auto manuals search

<http://auto.somanuals.com>

TV manuals search

<http://tv.somanuals.com>