

TITAN[®]

Electronic Tankless Water Heater

Use & Care Manual

With Installation Instructions for the Installer

SAVE
UP TO
60%
ON YOUR WATER
HEATING COST


The modern way to heat water

The Professional for Professionals
Electronic Tankless Water Heater
American Technology at it's Best

- Endless hot water
- Quality Design
- Space Saver
- Enviromentally friendly
- Energy Efficiency
- New digital microprocessor controller

Serie SCR2



 Recognize this symbol as an indication of Important Safety Information!

Serie SCR3



Serie SCR4



Installation Instructions Manual

The purpose of this manual is:

- 1- To provide the installer with the basic directions and recommendations for the proper installation and adjustment of the water heater.
- 2- To explain the features, operations and safety precautions of the Titan® Electronic Tankless Water Heater to the owner-operator.

Installation of a tankless water heater is **NOT** considered a “do-it-yourself” project. The installation of a Titan electronic tankless water heater is relatively simple and can be done by any licensed plumber and electrician contractor. The instructions are very simple and specific. If your installer has any questions regarding the installation, he can contact us for assistance. See support page on our website www.tanklesswaterheater.com.

Be sure to read and understand the entire manual before attempting to install or operate the Titan Tankless Water Heater. It may save you time and cost. Pay particular attention to the safety instructions. Failure to follow these warnings could result in damage to the unit and to property. If you have problems understanding the instructions in this manual **STOP** and get help from a qualified professional or contact customer support. Keep this manual in a safe place.

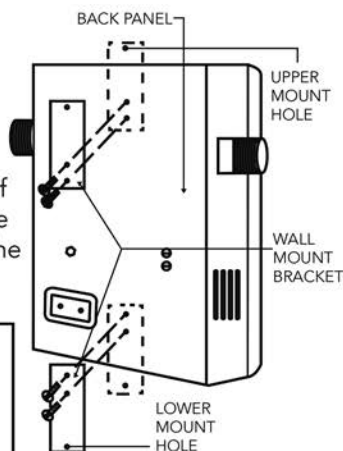
Installation

MOUNTING OF TITAN TANKLESS WATER HEATER

Niagara Industries supplies each heater with a mounting kit containing four (4) sheet metal screws and two (2) supporting brackets in a plastic bag.

These brackets can be attached to the back of the heater and allow the installer to secure the heater to the wall without the need to open the front cover.

Make sure to only use the brackets and screws that are provided in the mounting kit. The use of longer screws may damage the unit and void your warranty.



Plumbing Installation

These units are designed to be installed using copper pipes with 1/2" or 3/4" depending on the model number that is being installed.

- **Notice: Excessive heat from soldering on copper pipes near the heater may cause internal damage to the unit.**

- Always flush **all** the water lines before connecting the unit to the copper pipes.
- After the unit is installed, open each hot water faucet slowly to allow the air to vent from the water heater and piping.
- **Do not use** teflon tape or plumbing paste on compression fittings.
- Buy code you must install a shut off valve on the inlet of the unit.
Never close the water shut off valve with the power on.
- Secure the unit to the wall utilizing **only the brackets and compression fittings provided by Niagara Industries.**
- All plumbing work must comply with State and Local plumbing codes.

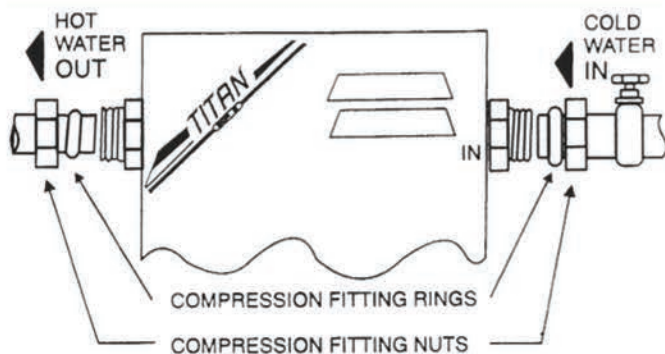
! WARNING: This unit should be installed by a licensed professional who has obtained the appropriate permits from your local municipality to insure code compliance. Failure to do so may result in serious injury, property damage, explosion, electric shock or water damage to your property. This unit is designed to safely operate without a pressure relief valve. **NEVER** close the incoming water supply line with the unit energized. A licensed professional plumber with experience installing tankless water heaters should independently determine whether there is a need for a pressure relief valve to be installed.

PLEASE NOTE: When using any type of plastic pipe like Pex or CPVC you **MUST** install 36" of cooper pipe to both the inlet and outlet of the unit, **DO NOT** connect any plastic pipe directly to the unit, also when using plastic pipes you **MUST** install a pressure relief valve on the inlet

VERY IMPORTANT • READ CAREFULLY • DO NOT VOID WARRANTY

IMPORTANT

Test the installation for leaks before connecting to the electrical supply. Check with a professional electrician for required breaker and wire gauge.




***Only Vertical Installation**

VERY IMPORTANT!

Use only the compression fitting ring and nut provided with each unit as shown above.

IMPORTANT: COMPRESSION FITTINGS ARE DESIGNED EXCLUSIVELY FOR THESE UNITS. DO NOT USE A DIFFERENT TYPE OF THREADED COUPLING.

Electric Installation

 **WARNING:** Before beginning any work on the electric installation, be sure that the main breaker panel switch is **"OFF"** to avoid any danger of electric shock. All mounting and plumbing must be completed before proceeding with electrical hook-up. All electrical work must comply with national and applicable state and local electrical codes.

As with any electric appliance, failure to electrically ground unit may result in serious injury.

The breaker should be of same size than the energy consumption of the model being installed.

Make sure that all the connections are tight. **DO NOT FORGET** to install the ground wire to the main breaker panel.

Before you energize the unit, allow water to circulate during approximately 20 seconds to make sure the unit doesn't work dry, which may damage the heating elements.

Do not attempt to repair or replace any part of the tankless water heater, a licensed qualified technician should be contacted to diagnose any problem.

The Titan tankless water heater must be installed in accordance with these instructions and local codes. In the absence of local codes, use the newer edition of the **National Electric Code**.

Locate the water heater in a clean dry area as near as practical to the area of greatest heated demand. **DO NOT** install the water heater in outdoor.

Also, the water heater must be installed in a visual area with easy access to the water shutoff valves and to the power disconnect box as required by Electrical and Plumbing codes.

Do not turn on the power with the shutoff valves closed.

WARNING
DISCONNECT FROM SUPPLY
BEFORE SERVICING

A minimum of 12" clearance must exist from the top of the unit to ceiling and from bottom to floor.



TAMPERING WITH THE UNITS
ELECTRONIC MODE, BREAKING
THE SEAL OR REMOVING
CONNECTION PARTS WILL VOID
YOUR WARRANTY



AS ALL ELECTRONIC APPLIANCE
THIS UNIT MUST BE PROTECTED
FROM RAIN AND WEATHER
CONDITIONS

Functions of the mode and temperature control buttons.

- **Mode Button (white button)**

The Mode (white) button's functionality is to switch between 3 or 4 modes (depending on model) that show the performance of the water heater.

Voltage

This is the default mode and shows the voltage being consumed and the percentage it represents from the total voltage. When the voltage is at 100% the water heater is working at full capacity. As that number starts to decrease the energy savings increases. Voltage is displayed in Volts (V).

Current

The current mode shows the current being used and the percentage it represents from total current. Current is being displayed in Amps (A)

Power

The power mode shows the amount of energy being consumed. It is the result of the voltage times the current being utilized. Power is being displayed in Kilowatts (KW).

Temperature

The temperature mode is a bonus mode only available in the Titan N-160. It is intended for the users to see how hot the temperature is coming out of the water heater. Temperature is being displayed in Fahrenheit (F).

- **Red Button**

This button is used to increase the temperature of the water, please note that the water has to be running through the unit in order to adjust the temperature.

- **Blue Button**

This button is used to decrease the temperature of the water, please note that the water has to be running through the unit in order to adjust the temperature.

Please note that safety and energy conservation are factors to be considered when selecting the water temperature setting of the water heater's thermostat. The lower the setting the greater the savings in energy and operating costs.



SCR2



SCR3-4



DANGER: Households with children, disabled, or elderly persons may require a 120° F or lower thermostat setting to prevent contact with "HOT" water.

WARNING: READ BEFORE INSTALLATION OR USE OF THE TITAN TANKLESS WATER HEATER

THE USER OF THIS TANKLESS WATER HEATER AGREES THAT BEFORE INSTALLATION OR USE OF THE HEATER HE/SHE HAS READ THIS WARNING AND UNDERSTANDS ALL TERMS AND CONDITIONS, IN PARTICULAR THE LIMITATIONS OR EXCLUSIONS OF STATUTORY OR COMMON LAW WARRANTIES AND LIABILITY.

LIMITATIONS OF WARRANTIES AND LIABILITIES:

THE END USER IS AWARE THAT THE MANUFACTURER AND AUTHORIZED DEALERS OF THIS TANKLESS WATER HEATER CAN NOT GUARANTEE THAT IT WILL NOT SUFFER A WATER LEAK OVER TIME. ITS LIFE DEPENDS GREATLY ON THE WATER QUALITY AND PROPER INSTALLATION.

NIAGARA INDUSTRIES INC. AND ITS AUTHORIZED DEALERS ARE NOT LIABLE TO END USERS OR THIRD PARTIES FOR INCIDENTAL, CONSEQUENTIAL, SPECIAL OR CONTINGENT DAMAGES OR EXPENSES ARISING DIRECTLY OR INDIRECTLY FROM ANY STRUCTURAL FAILURE OF THE WATER HEATER. THE LIMIT OF LIABILITY SHALL BE TO REPAIR OR REPLACE THE TANKLESS WATER HEATER DURING THE WARRANTY PERIOD AT THE MANUFACTURE DISCRETION. NO OTHER WARRANTIES APPLY. THERE ARE NO OTHER EXPRESS OR IMPLIED WARRANTIES WHICH EXTEND BEYOND THE DESCRIPTION ON THE FACE HEREOF.

PLEASE RETURN THE WATER HEATER TO THE PLACE OF PURCHASE FOR A FULL REFUND IF THESE TERMS OF THE WARRANTY ARE NOT ACCEPTABLE.

CAUTION: Titan Tankless Water Heaters are manufactured with materials that are resistant to corrosion due to poor water quality and galvanic corrosion. However, the water quality in your area among other things may have an effect on these materials. Sediment build-up inside the unit can also occur thereby reducing the life of the water heater. Galvanic corrosion may occur if the water heater is not properly installed with material designed to reduce or eliminate this possibility. Therefore, it is important that your water heater is install by a licensed professional who will consider these factors and recommend ways for you to extend the life of the heater and reduce or eliminate the possibility of a malfunction resulting in leaks and expensive water damage to your home or office. It is highly recommended that the heater will be installed in an area that provides sufficient water drainage to prevent damage to the walls, baseboards, appliances and other fixtures in your home. If no floor drainage is available, a drip pan with a minimum of 1 inch depth should be installed bellow the water heater and connected to a suitable drain.

Alternatively, a proper leak detection system and shut-off components should be incorporated in the installation of the water heater to turn off your water supply in the event of a leak.

Consult your licensed professional installer for additional recommendations on how to prevent extensive water damage to your home in the event of a leak.

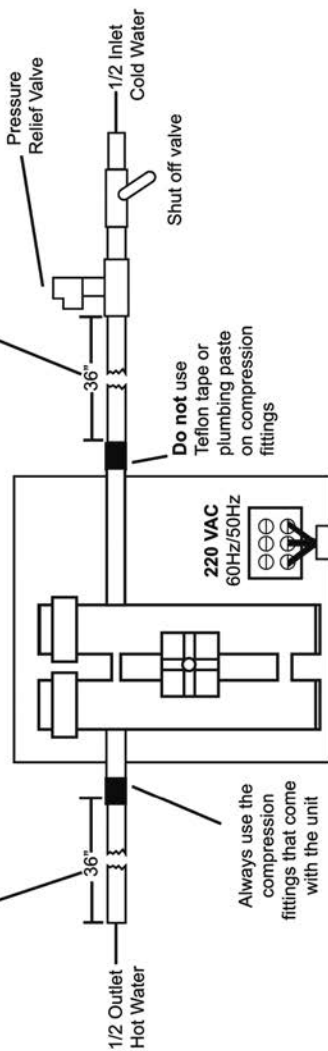
SCR2 SCR3 SCR4**UNIT SPECIFICATIONS AND TEMPERATURE RISE CHART**

MODEL	MAXFLOW	KW/HR	VOLTS	AMPS	BREAKER	WIRE	1.0 gpm	1.5 gmp	2.0 gpm	2.5 gpm	3.0 gpm	3.5 gpm	4.0 gpm	4.5gpm	5.0gpm
N-10	1.5 gpm	3.2	110	29	30	10ga	24 deg	16 deg	N/A	N/A	N/A	N/A	N/A	N/A	N/A
N-42	2 gpm	4.2	220	19	20	12ga	33 deg	22 deg	17 deg	N/A	N/A	N/A	N/A	N/A	N/A
N-64	2.5 gpm	6.5	220	29	30	10ga	51 deg	35 deg	26 deg	21 deg	N/A	N/A	N/A	N/A	N/A
N-75	2.8 gpm	7.5	220	34	40	8ga	60 deg	40 deg	30 deg	24 deg	N/A	N/A	N/A	N/A	N/A
N-85	3.0 gpm	8.5	220	38	40	8ga	69 deg	46 deg	34 deg	28 deg	23 deg	N/A	N/A	N/A	N/A
N-100	3.5 gpm	10.8	220	49	50	6ga	87 deg	58 deg	44 deg	35 deg	29 deg	25 deg	N/A	N/A	N/A
N-120	4.0 gpm	11.8	220	54	60	6ga	95 deg	64 deg	48 deg	38 deg	32 deg	28 deg	24 deg	N/A	N/A
N-160	4.0 gpm	16	240	66	70	6ga	109 deg	73 deg	55 deg	44 deg	36 deg	31 deg	27 deg	N/A	N/A
N-180	5.0 gpm	18	240	75	2x40	8ga	122 deg	81 deg	61 deg	49 deg	41 deg	35 deg	31 deg	27 deg	25 deg
N-210	5.0 gpm	21	240	88	2x50	6ga	143 deg	95 deg	71 deg	57 deg	48 deg	41 deg	38 deg	32 deg	29 deg
N-270	5.0 gpm	27	240	112	2x60	6ga	180 deg	118 deg	86 deg	66 deg	54 deg	46 deg	44 deg	40 deg	36 deg

INSTALLATION DIAGRAM FOR TITAN SCR2 SERIES

IMPORTANT!

For cpvc, pex or any plastic pipe you **MUST** use at least 36" of **Copper Pipe** before and after the unit and install a pressure relief Valve.



ELECTRICAL
SERVICE
PANEL

Breaker

Line
Disconnect
or
Junction
Box

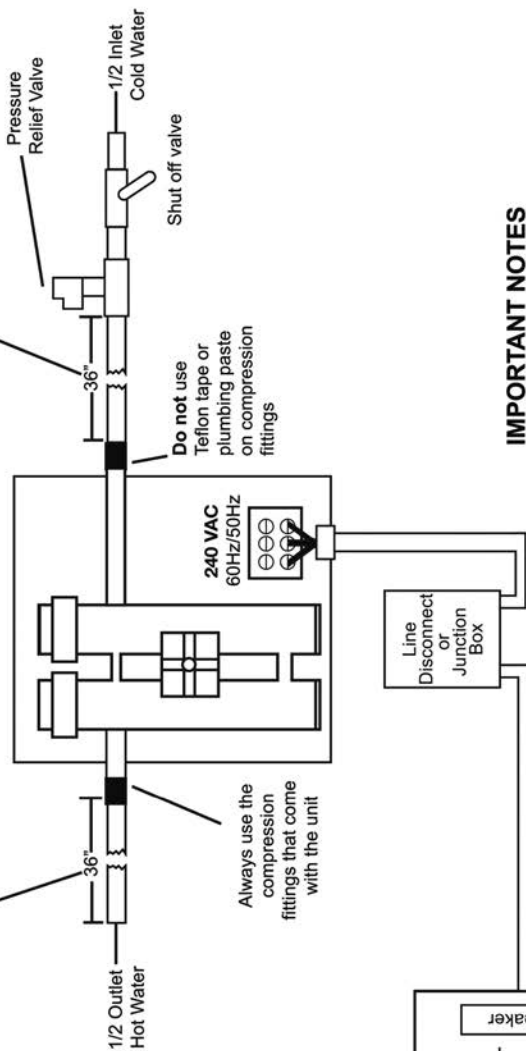
IMPORTANT NOTES

1. Always use the wire that comes with the unit to connect to the junction box or disconnect switch.
2. Before turning on the electricity let the water run for 20 seconds through the unit.
3. Always flush all the water lines before connecting the unit to the copper pipes.
4. Note that excessive heat from soldering on copper pipes near the heater may cause internal damage.
5. **DO NOT OPEN** the unit under any circumstances unless you contact a technician at Niagara Industries to diagnose the problem.

INSTALLATION DIAGRAM FOR TITAN SCR3 SERIES

IMPORTANT!

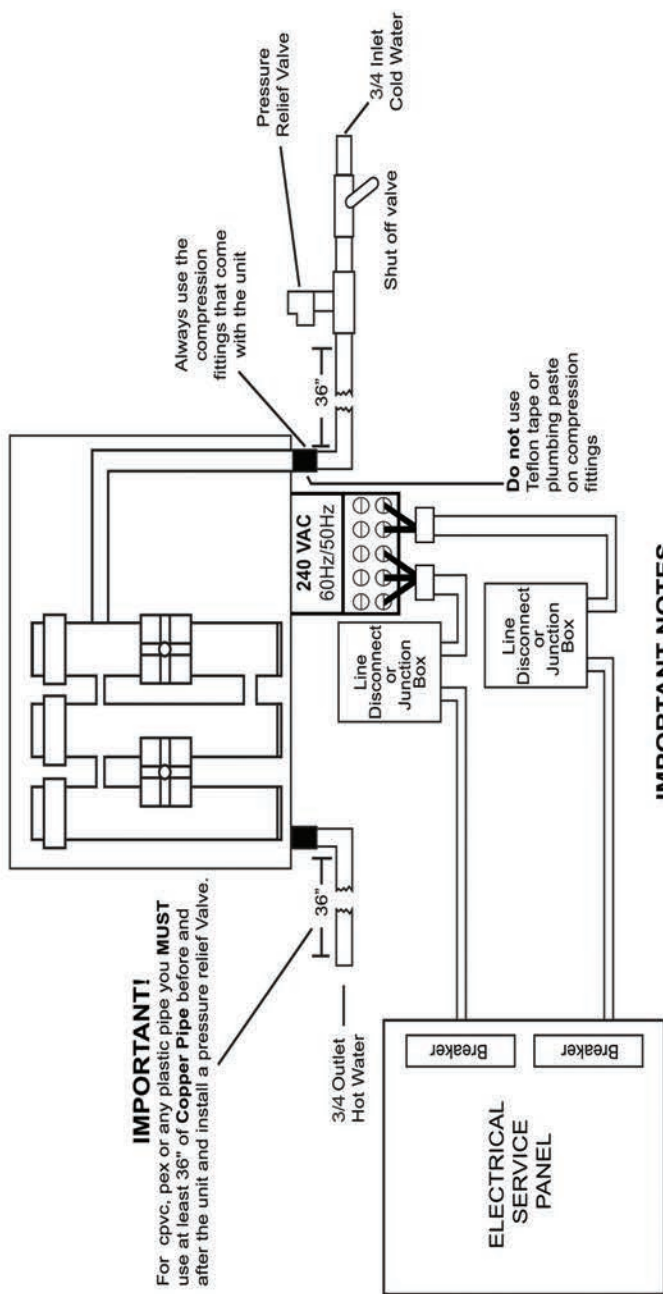
For cpvc, pex or any plastic pipe you **MUST** use at least 36" of **Copper Pipe** before and after the unit and install a pressure relief Valve.



IMPORTANT NOTES

1. Always use the wire that comes with the unit to connect to the junction box or disconnect switch.
2. Before turning on the electricity let the water run for 20 seconds through the unit.
3. Always flush all the water lines before connecting the unit to the copper pipes.
4. Note that excessive heat from soldering on copper pipes near the heater may cause internal damage.
5. **DO NOT OPEN** the unit under any circumstances unless you contact a technician at Niagara Industries to diagnose the problem.

INSTALLATION DIAGRAM FOR TITAN SCR4 SERIES



IMPORTANT NOTES

1. Before turning on the electricity let the water run for 20 seconds through the unit.
2. Always flush all the water lines before connecting the unit to the copper pipes.
3. Note that excessive heat from soldering on copper pipes near the heater may cause internal damage.
4. **DO NOT OPEN** the unit under any circumstances unless you contact a technician at Niagara Industries to diagnose the problem.

NOTES:

TITAN ELECTRONIC TANKLESS WATER HEATER REGISTRATION WARRANTY CERTIFICATE

Keep this information for your records and mail the provided Post-card in this brochure to activate your warranty.

THE ELECTRONIC TANKLESS WATER HEATER is warranted to the original purchaser to be free from defects in material and workmanship for the warranty period set forth below.

This 10 Year Limited Warranty shall be valid only after the attached Registration Warranty Certificate is completed and signed by the original purchaser and mailed to Niagara Industries Inc, within thirty (30) days of the original purchase date.

The manufacturer will repair or replace, at its option and Free of Charge during a period of One (1) year from the original purchase date, any Titan Tankless Water Heater which proves defective on any electronic or electric part under normal installation, use and service. In addition to the one year warranty, the manufacturer will also provide a 10 Year Warranty on any leaking casing proven to be defective under normal installation, use and service. In both cases the Titan Tankless Water Heater must be returned accompanied by a copy of the purchaser receipt, and when applicable, repair or replacement charge prepaid to Niagara Industries Inc.

Any damage to the Titan Electronic Tankless Water Heater, as a result of misuse, abuse, improper installation, non-authorized repair or alteration to the unit, or any violation of instructions provided by the manufacturer, will void this warranty.

EXCEPT AS SPECIFICALLY PROVIDED HEREIN, THERE ARE NO OTHER WARRANTIES, EXPRESSED OR IMPLIED THAT COULD EXTEND BEYOND THE APPLICABLE WARRANTY PERIODS SPECIFIED PRVIOUSLY. IN NO EVENT SHALL NIAGARA INDUSTRIES INC OR ANY AUTHORIZED AGENT BE LIABLE FOR LOSS OF PROFITS, INDIRECT, ESPECIAL CONSEQUENTIAL OR OTHER SIMILAR DAMAGES ARISING OUT OF ANY BREACH OF THIS WARRANTY.

This Limited Warranty gives you specific legal rights, and you may have other rights depending on the State of residence.

Niagara Industries published warranties are not applicable for any units sold by an non-authorized reseller via the internet or auction websites.


NIAGARA INDUSTRIESTM
Where water meets technology

2540 NW 38TH CT. MIAMI, FL 33142

CALENTADOR DE AGUA ELECTRONICO SIN TANQUE TITAN CERTIFICADO DE REGISTRO DE GARANTIA

Guarde esta información para sus records y envíe por correo la tarjeta que se provee con este manual para activar la garantía.

Para el comprador original se garantiza que EL CALENTADOR DE AGUA ELECTRONICO SIN TANQUE está libre de defectos en el material y la mano de obra por un periodo de garantía establecido a continuación.

La garantía limitada por 10 años, será válida solamente después que el Certificado de Registro de Garantía adjunto sea completado y firmado por el comprador original, y enviado por correo a Niagara Industries Inc. dentro de los treinta (30) días siguientes de la fecha original de compra.

El fabricante reparará o reemplazará a su discreción, y libre de cargos durante el período de un (1) año, desde la fecha original de compra, cualquier calentador de agua sin tanque Titan, en el que se detecte alguna parte eléctrica o electrónica defectuosa bajo condiciones normales de instalación, uso y servicio. En adición a este año de garantía, el fabricante proveerá también una garantía de 10 años por cualquier filtración que provenga del intercambiador de calor, si se comprueba que las condiciones de instalación, uso y servicio son normales.. En ambos casos, se debe retornar el Calentador de Agua Electrónico sin tanque Titan, a Niagara Industries Inc., acompañado de una copia del recibo del comprador, y cuando aplique, el importe del costo de reemplazo o reparación.

Cualquier daño a un Calentador de Agua Electrónico Sin Tanque, como resultado de uso indebido, abuso, instalación inapropiada, reparación o alteración no autorizada de la unidad o cualquier violación de las instrucciones proporcionadas por el fabricante, anularán esta garantía.

CON EXCEPCION A LO ESPECIFICADO EXPRESAMENTE AQUI, NO EXISTEN OTRAS GARANTIAS EXPRESADAS O IMPLICITAS QUE PUDIERAN EXTENDER MAS ALLA, LOS PERIODOS DE GARANTIA ESTABLECIDOS PREVIAMENTE. BAJO NINGUNA CIRCUNSTANCIA, NIAGARA INDUSTRIES INC. O CUALQUIER AGENTE AUTORIZADO SERA RESPONSABLE DE LA PERDIDA DE BENEFICIOS, INDIRECTOS, ESPECIALES, DERIVADOS O POR DAÑOS DE OTRA INDOLE GENERADOS POR EL INCUMPLIMIENTO DE ESTA GARANTIA.

Esta Garantía limitada le brinda derechos legales específicos, y Ud. puede disponer de otros derechos dependiendo del Estado donde resida.

Las garantías publicadas de Niagara Industries no son aplicables a ninguna unidad vendida por un revendedor no autorizado vía sitios web de subasta o el internet.

NIAGARA INDUSTRIES™
Where water meets technology

2540 NW 38TH CT. MIAMI, FL 33142

NOTAS:

DIAGRAMA DE INSTALACIÓN PARA TITAN SERIES SCR-4/SCR-5

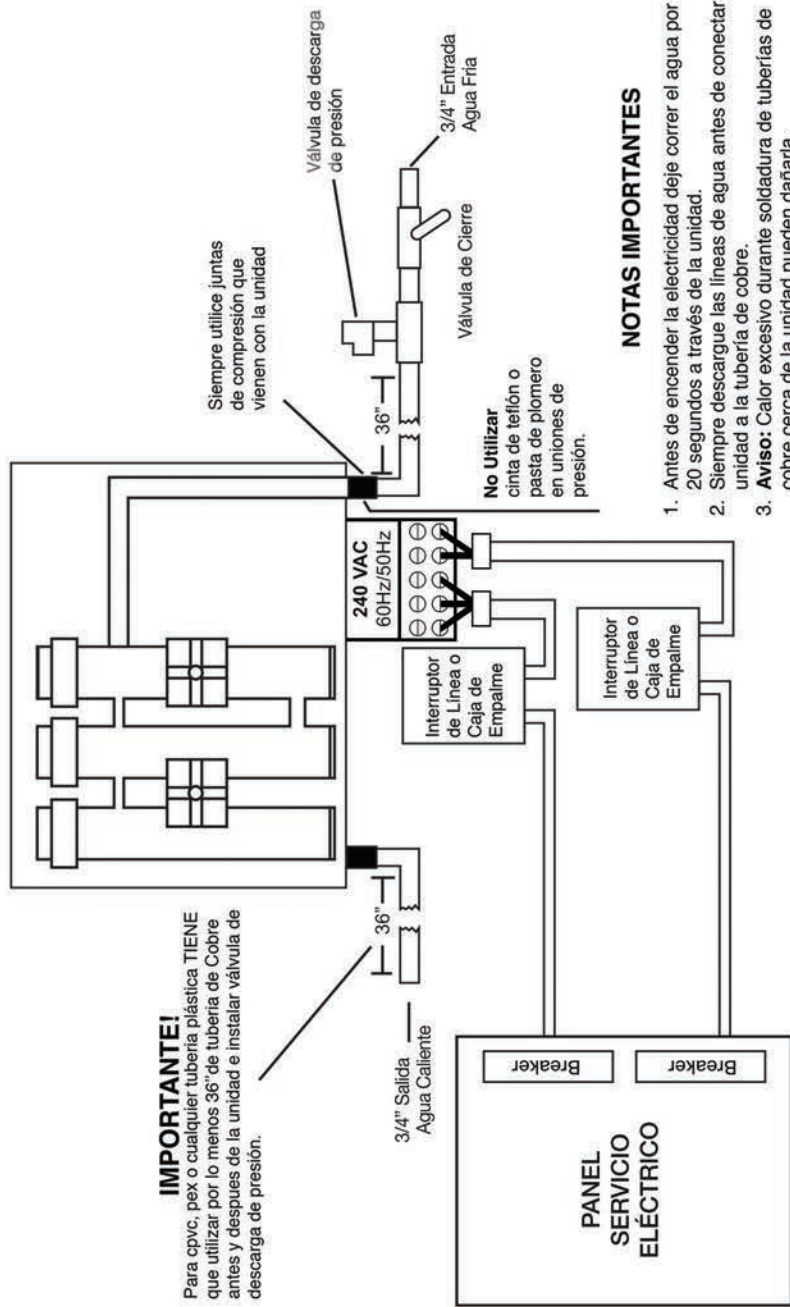
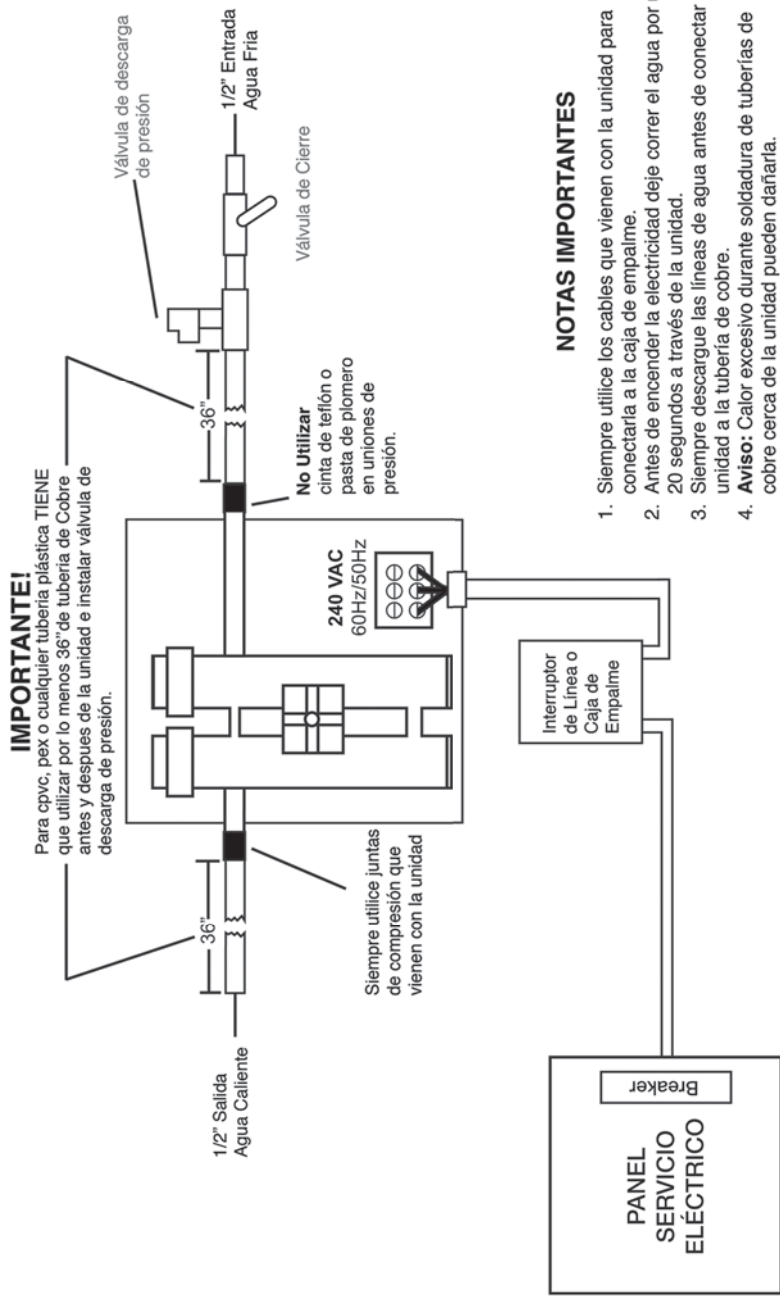


DIAGRAMA DE INSTALACIÓN PARA TITAN SCR-3 SERIE N-160

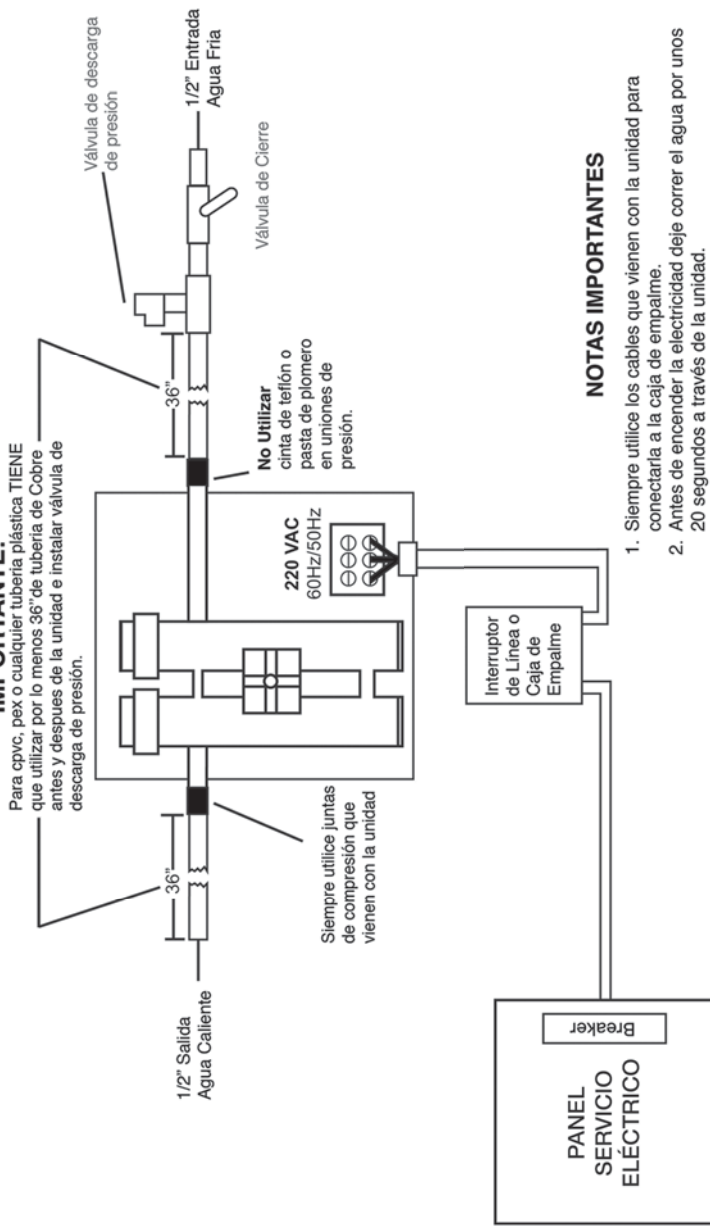


NOTAS IMPORTANTES

1. Siempre utilice los cables que vienen con la unidad para conectarla a la caja de empalme.
2. Antes de encender la electricidad deje correr el agua por unos 20 segundos a través de la unidad.
3. Siempre descargue las líneas de agua antes de conectar la unidad a la tubería de cobre.
4. **Aviso:** Calor excesivo durante soldadura de tuberías de cobre cerca de la unidad pueden dañarla.
5. **NO ABRIR** la unidad bajo ninguna circunstancia a menos que haya contactado a un técnico de Niagara Industries.

DIAGRAMA DE INSTALACIÓN PARA TITAN SERIES SCR-2

IMPORTANTE!



NOTAS IMPORTANTES

1. Siempre utilice los cables que vienen con la unidad para conectarla a la caja de empalme.
2. Antes de encender la electricidad deje correr el agua por unos 20 segundos a través de la unidad.
3. Siempre descargue las líneas de agua antes de conectar la unidad a la tubería de cobre.
4. **Aviso:** Calor excesivo durante soldadura de tuberías de cobre cerca de la unidad pueden dañarla.
5. **NO ABRIR** la unidad bajo ninguna circunstancia a menos que haya contactado a un técnico de Niagara Industries.

SCR2 SCR3 SCR4/5**TABLA DE ESPECIFICACIONES POR MODELO DE CALENTADOR Y EL INCREMENTO DE LA TEMPERATURA**

MODELO	MAX FLUJO (gpm)	KW/HR	VOLTIOS	AMPERES	BREAKER (AMPS)	CABLE (AWG)	1.0 gpm	1.5 gmp	2.0 gpm	2.5 gpm	3.0 gpm	3.5 gpm	4.0 gpm	4.5gpm	5.0gpm
N-10	1.5 gpm	3.2	110	29	30	10	24 deg	16 deg	N/A	N/A	N/A	N/A	N/A	N/A	N/A
N-42	2 gpm	4.2	220	19	20	12	33 deg	22 deg	17 deg	N/A	N/A	N/A	N/A	N/A	N/A
N-64	2.5 gpm	6.5	220	29	30	10	51 deg	35 deg	26 deg	21 deg	N/A	N/A	N/A	N/A	N/A
N-75	2.8 gpm	7.5	220	34	40	8	60 deg	40 deg	30 deg	24 deg	N/A	N/A	N/A	N/A	N/A
N-85	3.0 gpm	8.5	220	38	40	8	69 deg	46 deg	34 deg	28 deg	23 deg	N/A	N/A	N/A	N/A
N-100	3.5 gpm	10.8	220	49	50	6	87 deg	58 deg	44 deg	35 deg	29 deg	25 deg	N/A	N/A	N/A
N-120	4.0 gpm	11.8	220	54	60	6	95 deg	64 deg	48 deg	38 deg	32 deg	28 deg	24 deg	N/A	N/A
N-160	4.0 gpm	16	240	66	70	6	109 deg	73 deg	55 deg	44 deg	36 deg	31 deg	27 deg	N/A	N/A
N-180	5.0 gpm	18	240	75	2x40	8	122 deg	81 deg	61 deg	49 deg	41 deg	35 deg	31 deg	27 deg	25 deg
N-210	5.0 gpm	21	240	88	2x50	6	143 deg	95 deg	71 deg	57 deg	48 deg	41 deg	38 deg	32 deg	29 deg
N-270	5.0 gpm	27	240	112	2x60	6	180 deg	118 deg	86 deg	66 deg	54 deg	46 deg	44 deg	40 deg	36 deg

ADVERTENCIA: LEER ANTES DE INSTALAR O UTILIZAR EL CALENTADOR DE AGUA SIN TANQUE TITAN

EL USUARIO DE ESTE CALENTADOR DE AGUA SIN TANQUE ACEPTA QUE ANTES DE LA INSTALACION O UTILIZACION DE ESTE CALENTADOR EL/ELLA HAN LEIDO ESTA ADVERTENCIA Y COMPRENDEN TODOS LOS TERMINOS Y CONDICIONES, EN PARTICULAR LAS LIMITACIONES O EXCLUSIONES DE LA LEY COMUN O CONSUETUDINARIA SOBRE GARANTIAS Y RESPONSABILIDAD.

LIMITACIONES DE GARANTIAS Y RESPONSABILIDADES:

EL USUARIO FINAL ES CONSCIENTE QUE EL FABRICANTE Y EL DISTRIBUIDOR AUTORIZADO DE ESTE CALENTADOR DE AGUA SIN TANQUE, NO GARANTIZA QUE EN ESTE CALENTADOR CON EL PASO DEL TIEMPO NO PUEDA APARECER UNA FILTRACION. LA VIDA UTIL DEL CALENTADOR DEPENDE EN GRAN MEDIDA DE LA CALIDAD DEL AGUA Y DE UNA INSTALACION APROPIADA.

NIAGARA INDUSTRIES INC. Y SUS DISTRIBUIDORES AUTORIZADOS NO SE RESPONSABILIZAN CON LOS USUARIOS FINALES O TERCERAS PERSONAS DE LOS DAÑOS O GASTOS FORTUITOS, ESPECIALES, DERIVADOS O DE OTRO TIPO, GENERADOS DIRECTA O INDIRECTAMENTE DE ALGUNA FALLA ESTRUCTURAL DEL CALENTADOR DE AGUA. EL LIMITE MAXIMO DE RESPONSABILIDAD CONSISTE EN REPARAR O REEMPLAZAR EL CALENTADOR DE AGUA A DISCRECION DEL FABRICANTE DURANTE LA VIGENCIA DEL PERIODO DE GARANTIA. NO APLICAN NINGUNAS OTRAS GARANTIAS. NO EXISTEN OTRAS GARANTIAS EXPRESADAS O IMPLICITAS MAS ALLA QUE LO DESCRITO EN ESTE DOCUMENTO.

POR FAVOR DEVUELVA EL CALENTADOR DE AGUA AL LUGAR DE COMPRA PARA OBTENER UN REEMBOLSO TOTAL, SI LOS TERMINOS DE GARANTIA NO SON ACEPTABLES.

PRECAUCION: Los calentadores de agua sin tanque Titan, son fabricados con materiales resistentes a la corrosión provocada por la mala calidad del agua y por la corrosión galvánica. No obstante, la calidad del agua en su área, entre otros factores, puede tener un efecto en estos materiales. Puede ocurrir que se acumulen sedimentos en el interior de la unidad, lo que reduce la vida útil del calentador. Por otro lado, la corrosión galvánica puede presentarse cuando el calentador de agua se ha instalado con materiales no concebidos para eliminar o reducir esta posibilidad. En consecuencia, es muy importante que su calentador de agua sea instalado por un profesional capacitado que considere estos factores y le brinde alternativas para extender la vida del calentador y reducir o eliminar la posibilidad de un mal funcionamiento que se traduzca en filtraciones que provoquen costosos daños por inundaciones en su casa u oficina. Es altamente recomendado que el calentador sea instalado en un área que provea suficiente drenaje del agua para prevenir daños a las paredes, rodapiés, electrodomésticos u otros accesorios en su propiedad. Si no hay posibilidad de un piso con drenaje para el lugar de la instalación, se debe de poner una bandeja colectora con al menos una pulgada de profundidad debajo del calentador y conectarla a un drenaje adecuado.

Alternativamente, se puede incorporar un sistema detector de filtraciones con componentes que cierren el paso del agua en caso de producirse algún salidero. Consulte con su instalador profesional capacitado para recomendaciones adicionales de cómo prevenir un daño extenso por inundación en su casa en caso de una filtración.

Funciones del modo de desempeño y botones para el control de temperatura.

• Botón del modo de visualizar el desempeño (botón blanco)

La función del botón del modo de desempeño (blanco), es mostrar en el display uno entre los 3 o 4 modos (en dependencia del modelo) en que podemos ver la información del desempeño de ciertas magnitudes eléctricas del calentador. Estos modos son:

Voltaje

Este es el modo por defecto, e indica el Voltaje que está siendo utilizado y el porcentaje que representa del total aplicable. Cuando el voltaje está al 100% el calentador está trabajando a toda su capacidad. En la medida en que este valor decrece, aumenta el ahorro de energía. La unidad de medida del voltaje es el voltio (V).

Corriente

En el modo Corriente se indica la corriente que se está consumiendo, y el porcentaje del total de corriente que puede consumir la unidad. La corriente se visualiza en Amperios (A).

Potencia

En el modo Potencia, se indica la cantidad de energía que se consume. Esto es el resultado de multiplicar el voltaje aplicado por la corriente consumida. La potencia se muestra en Kilowatts (KW).

Temperatura

Los equipos Titan N-160, poseen además un cuarto modo de visualizar el desempeño, este es Temperatura, e indica cuan caliente está saliendo el agua del calentador. La temperatura se mide y visualiza en grados Fahrenheit (F).

• Botón Rojo

Este botón se utiliza para aumentar la temperatura del agua, tenga en cuenta que el agua tiene que estar circulando a través de la unidad para poder ajustar la temperatura.

• Botón azul

Este botón se usa para disminuir la temperatura del agua, tenga en cuenta que el agua tiene que estar circulando a través de la unidad para poder ajustar la temperatura.

Por favor, tenga en cuenta que la seguridad y el ahorro de energía son factores a considerar al momento de seleccionar la temperatura del agua en el calentador. Mientras menor sea la temperatura escogida, mayor será el ahorro de energía y de los costos de operación.



SCR2



SCR3-4-5



PELIGRO: Para prevenir el contacto con agua caliente, en los hogares con niños, personas discapacitadas o ancianos, la regulación de la temperatura en los calentadores ha de ser de 120°F o menor.

Instalación eléctrica



ADVERTENCIA: Antes de comenzar cualquier trabajo relacionado a la instalación eléctrica, asegúrese de apagar (posición **OFF**) el interruptor (breaker) general del panel eléctrico de la propiedad, con el objetivo de prevenir un choque eléctrico. Todo el trabajo de montaje y de plomería debe haber finalizado antes de proceder a la conexión eléctrica. El trabajo de electricidad debe de cumplir con todos los códigos nacionales, estatales y locales vigentes.

Como con todo equipo electrodoméstico, una deficiencia de la conexión a tierra de la unidad puede provocar lesiones graves.

Los interruptores (breakers) deben ser los apropiados de acuerdo al voltaje y al amperaje de consumo del modelo de calentador que se está instalando.

Asegúrese que todas las conexiones eléctricas estén firmemente ajustadas. **NO OLVIDE** instalar el cable de tierra al panel principal de interruptores (breakers). Antes de energizar la unidad, permita que el agua circule por al menos 20 segundos, para prevenir que la unidad trabaje en seco, y dañe los elementos térmicos.

No intente reparar o reemplazar alguna parte del calentador, para diagnosticar cualquier avería debe ponerse en contacto con un técnico calificado con licencia.

El calentador sin tanque Titan necesita ser instalado de acuerdo a las instrucciones citadas y a los códigos locales. En ausencia de códigos locales, use la última edición del **National Electric Code (NEC)**.

Ubique el calentador de agua en un área limpia y seca, lo más cercano posible al área de mayor demanda de agua caliente. Este calentador **no se puede instalar** a la intemperie.

Asimismo, el calentador debe de instalarse en un área con buen contacto visual, de fácil acceso a las llaves de paso y al panel eléctrico de desconexión. Todo esto es además, requerido por los códigos para trabajo de plomería y electricidad.

Nunca energizar el calentador con las llaves de paso cerradas.

ADVERTENCIA

DESCONECTAR LA ELECTRICIDAD ANTES DE DAR MANTENIMIENTO

Debe de dejar un mínimo de 12" (pulgadas) de distancia entre la parte superior del calentador y el techo, y entre la parte inferior y el piso.



CUALQUIER TIPO DE ALTERACIÓN EN EL MODO DE TRABAJO ORIGINAL DE LA UNIDAD, ROMPER EL SELLO DE SEGURIDAD O REMOVER ALGUNA PARTE DEL CALENTADOR, SON ACCIONES QUE CONLLEVAN A LA PÉRDIDA DE LA GARANTÍA.



COMO TODO EQUIPO ELECTRÓNICO, ESTA UNIDAD DEBE ESTAR PROTEGIDA DE LA LLUVIA Y LAS INCLEMENCIAS DEL TIEMPO.

En el proceso de instalación, tener en cuenta los siguientes pasos:

- Siempre, dejar correr el agua por las tuberías antes de conectar la unidad a los tubos de cobre.
- Una vez que la unidad ha sido instalada, abrir cada llave de agua caliente de la propiedad lentamente, para permitir liberar el aire de las tuberías y el calentador.
- **No usar** cinta selladora de teflón ni pasta de plomería en las conexiones de entrada y salida con el anillo y las tuercas de compresión.
- El código de plomería requiere ser instalado con una válvula de cierre en la entrada de la unidad. **Nunca cierre la válvula de cierre de agua, con la alimentación eléctrica conectada.**
- Fije la unidad a la pared utilizando solamente las láminas metálicas de soporte y los tornillos proveídos por Niagara Industries.
- Utilice **solamente los anillos de compresión y las tuercas de compresión proveídos por Niagara Industries** para realizar las conexiones de tuberías a la entrada y la salida del calentador.
- Todos los trabajos de plomería deben de cumplir con los códigos locales y del estado.

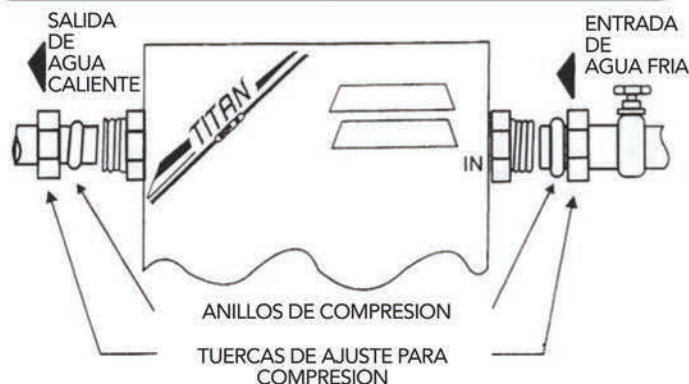
! ADVERTENCIA: Esta unidad debe de ser instalada por un profesional con la licencia correspondiente, que haya obtenido los permisos apropiados de la municipalidad donde se ejecuta el trabajo, para así garantizar el cumplimiento de los códigos pertinentes. La omisión de lo expresado anteriormente puede resultar en lesiones graves, daños a la propiedad, explosión, choque eléctrico o daños por inundación en su propiedad. Esta unidad está diseñada para operar de manera segura sin necesidad de una válvula de descarga de presión. **NUNCA** cierre el suministro de agua a la entrada del calentador con la unidad energizada. Un plomero profesional con licencia, experimentado en la instalación de calentadores de agua sin tanque determinará si es necesaria la instalación de una válvula de descarga de presión.

POR FAVOR TOME NOTA: Cuando use cualquier tipo de tubería plástica como Pex o CPVC, es necesario instalar al menos 36"(pulgadas) de tubería de cobre tanto a la entrada como a la salida de la unidad. **NO** conectar ninguna tubería plástica directamente a la unidad. Cuando utilice tuberías plásticas, es necesario instalar una válvula de descarga de presión a la entrada de la unidad.

MUY IMPORTANTE • LEA CUIDADOSAMENTE • NO PIERDA LA GARANTIA

IMPORTANTE

Haga una prueba de la instalación realizada para verificar posibles salideros, antes de conectar la unidad a la red eléctrica. Verifique con un electricista profesional sobre el interruptor (breaker) y el calibre de los cables requeridos para la instalación eléctrica.



***Solamente se puede instalar la unidad verticalmente**

MUY IMPORTANTE!

Use solamente los anillos y las tuercas de compresión proveídos con cada equipo, como se muestra en el diagrama anterior.

IMPORTANTE: LOS ACCESORIOS DE COMPRESIÓN ESTÁN DISEÑADOS EXCLUSIVAMENTE PARA ESTAS UNIDADES. NO UTILICE OTRO TIPO DE ACOPLAMIENTO DE ROSCA.

Manual con las instrucciones de instalación

El propósito de este manual es:

1- Proveer al instalador con las instrucciones y recomendaciones básicas para la instalación y el ajuste apropiados del calentador de agua.

2- Ofrecer al propietario y/o operador de este calentador una guía para conocer las características, formas de operación y medidas de precaución a tener en cuenta con el Calentador de Agua Electrónico sin Tanque Titan.

La instalación de un calentador de agua electrónico sin tanque NO se considera un proyecto "Hágalo Ud. Mismo". La instalación de un calentador de agua electrónico sin tanque Titan, es relativamente simple, pero debe ser ejecutada por un plomero y un electricista con licencia.

Las instrucciones son muy simples y específicas. Si su instalador tiene alguna pregunta concerniente a la instalación, puede comunicarse con nosotros para recibir asistencia. Ver la página de soporte en nuestro sitio web en www.tanklesswaterheater.com

Debe asegurarse de leer y entender el manual completamente antes de intentar instalar u operar el Calentador de Agua sin Tanque Titan. Esto le puede ahorrar tiempo y dinero. Es necesario poner especial atención a las instrucciones de seguridad. Incumplir estas advertencias puede resultar en daños a la unidad y a su propiedad. Si Usted presenta dificultades para leer las instrucciones de este manual, deténgase y busque ayuda de un profesional calificado o comuníquese con el soporte al cliente.

Conserve este manual en un lugar seguro para consultas posteriores.

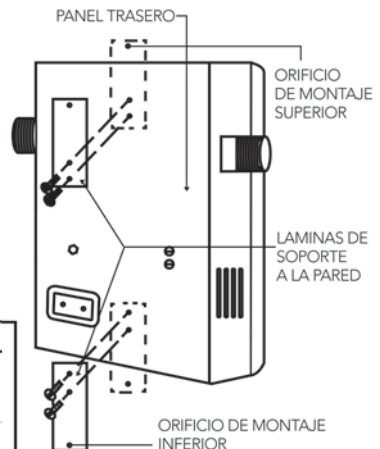
Instalación

MONTAJE DEL CALENTADOR DE AGUA SIN TANQUE TITAN

Niagara Industries provee con cada calentador un kit de montaje que contiene dos (2) láminas de metal que sirven de soporte al calentador, además, cuatro (4) tornillos para sujetar estos soportes a la parte trasera del chasis del calentador.

Estas láminas de soporte le permiten al instalador colocar el calentador en la pared sin necesidad de remover la tapa delantera del calentador.

Debe asegurarse de usar solamente las láminas metálicas de soporte y los tornillos que se proveen en el kit de montaje. El uso de tornillos más largos puede dañar la unidad y conlleva a la pérdida de la garantía.



⚠ Instalación de la plomería

Estas unidades están diseñadas para ser instaladas utilizando tubos de cobre de $\frac{1}{2}$ " o $\frac{3}{4}$ ", en dependencia del modelo de calentador a instalar.

- Nota: El calor excesivo en el proceso de soldadura de los tubos de cobre próximo al calentador puede causar daño interno a la unidad.



Calentador de agua electrónico sin tanque

Manual de Uso y Cuidado

Con instrucciones para el instalador

AHORRE
HASTA UN
60%
DEL COSTO DE
CALENTAR
EL AGUA


La manera moderna de calentar el agua

Lo mejor de la tecnología americana en un calentador electrónico sin tanque para profesionales

- Suministro ilimitado de agua caliente
- Diseño compacto y ligero
- Ahorra espacio
- Protege el medio ambiente
- Eficiencia en el consumo de energía
- Nuevo controlador digital con microprocesador

Serie SCR2



 Reconozca este símbolo como un indicador de Información de Seguridad Importante!

Serie SCR3



Serie SCR4/5



Free Manuals Download Website

<http://myh66.com>

<http://usermanuals.us>

<http://www.somanuals.com>

<http://www.4manuals.cc>

<http://www.manual-lib.com>

<http://www.404manual.com>

<http://www.luxmanual.com>

<http://aubethermostatmanual.com>

Golf course search by state

<http://golfingnear.com>

Email search by domain

<http://emailbydomain.com>

Auto manuals search

<http://auto.somanuals.com>

TV manuals search

<http://tv.somanuals.com>