

UNIQUE[®]

30" & 36" RANGE HOOD



30"
UGP-30RH PL1



36"
UGP-36RH PL1

OWNER'S GUIDE

serial number:

TABLE OF CONTENTS

03	Safety notice
05	Electrical requirements and installation requirements
06	Examples and positioning of possible ducts
08	Clearance training
09	Installation
10	Necessary tools
14	Description orders for O2 series, range hood
14	Maintenance
17	Technical specifications
17	Trouble shooting
18	Wiring diagram
19	Appliance information
19	Notes
20	Contact us
20	Limited warranty
21	30" Parts list and diagram
22	36" Parts list and diagram

SAFETY NOTICE

Approved for residential type units for residential use only read these instructions and be safe.

Please read these instructions completely before starting.

The installation of the appliance must respect all codes.

Important: Save these instruction so that you can provide the electrical inspector in your area.

Safety Warning: Turn off the circuit in the electrical panel and lock front panel to connect the cord of this unit.

Power requirement: 110V-120V/60HZ

CAUTION: USE THIS PRODUCT FOR GENERAL FAN ONLY. DO NOT USE THIS PRODUCT TO EXHAUST FUMES OR HAZARDOUS OR EXPLOSIVE MATERIALS.

WARNING: TO REDUCE THE RISK OF FIRE, ELECTRICAL SHOCK OR INJURY TO PEOPLE, OBSERVE THE FOLLOWING:

1. Use this unit only for the purposes intended by the manufacturer. If you have any questions about this product, contact the manufacturer.
2. Before the machine's maintenance or cleaning, turn off the electrical panel and lock the panel blocking feature to prevent from accidentally activating the power. If it is not possible to lock the access panel, attach a highly visible label to the electrical panel.
3. A qualified person should perform the installation and wiring of the electricity in accordance with all codes and all standards, including fire resistance rating.
4. When you use hood together with stove, please do not close the window and door of the kitchen. Because during the fuel stove working, which will consume lots of air, so do open the door and window to make the kitchen ventilating, to avoid any suffocation.
5. It is important to provide sufficient air for proper combustion of heating equipment and proper evacuation of gases through the chimney pipe to prevent back flow of air. Follow the instructions and safety standards of the manufacturers of heating equipment, such as those published by the National Fire Protection Association (NFPA), the American Society for Heating, Refrigeration and Air Conditioning Engineers (ASJRAE) and the code authorities in your area.

6. When cutting or drilling into wall or ceiling, be sure not to damage electrical wiring or other access to public service.

7. Always evacuate outside the conduit system.

To reduce the risk of fire and to properly exhaust air, be sure that the pipe is leading outside, do not exhaust air into the space between the walls, ceilings, attics, crawl spaces or garages.

Warning: TO REDUCE THE RISK OF FIRE, USE ONLY METAL DUCT, Install this hood in accordance with all the requirements mentioned.

WARNING: TO REDUCE THE RISK OF FIRE, GREASE THE RANGE.

1. Never leave the stove unattended when it is at a high temperature. Boil overs cause smoke and fat that overflows can ignite. Heat the oil slowly at a low or medium temperature.

2. Always operate the hood when you use the stove to high heat or when you Flame.

3. Clean ventilating fans frequently. Do not let fat accumulate on the filters or propellers.

4. Use proper pan size. Always use a pot size appropriate to the stove element.

5. Do not touch on-working or off-soon bulb, to avoid any thorny.

Warning

TO AVOID INJURING SOMEONE IN A GREASE FIRE, FOLLOW THE FOLLOWING:

1. SMOTHER FLAMES with a lid to the dimensions of the cooking hobs, a cookie sheet or other metal tray, then turn off the gas or power supply of the stove. BE CAREFUL NOT TO BURN YOURSELF. If the flames do not go out immediately, LEAVE AND CALL THE FIRE DEPARTMENT.

2. NEVER PICK UP A FLAMMING PAN. You could be hurt.

3. DO NOT USE WATER, including Dish towels or wet towels-a violent steam explosion of dew may be occurred.

4. Use an extinguisher only if:

. You are sure to have a Class ABC extinguisher that you know how to use.

. The fire is small and confined to the area where it was formed.

.Firefighters was called.

.You can fight against the fire with an exit behind you.

Operative Mode

Always leave safety grills and filters in place. Without the presence of these blowers could catch hair, fingers or clothing. The manufacturer is not liable if detailed in this manual for installation info, maintenance and proper use of the product are not observed. The manufacturer declines all responsibility for any injury caused by negligence. This product is manufactured for internal use. Do not use this appliance outdoors

Electrical requirements and installation requirements

Power Requirements

IMPORTANT

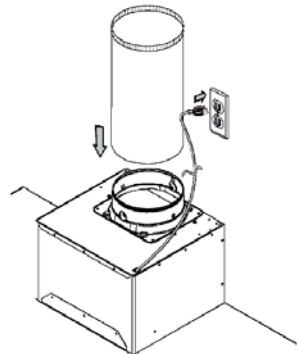
Observe all governing codes and ordinances. The customer is responsible for: Contacting an electrician-installer. Check that the electrical installation is adequate and in conformance with the National Electrical Code, ANSI / NFPA 70 (latest edition *) or CSA Standards C22.1-94, Canadian Electrical Code, Part 1 and C22.2 No.0-M91 (the latest edition **) of the CSA, and all codes and ordinances in your area. If codes permit and use a wire to separate the ground, it is recommended to check the path of the wire by an electrician. Do not put the device to land on a gas line. Consult a qualified person if you are not sure that the hood is properly grounded electrically. Do not install a fuse in the neutral circuit or circuit ground.

Location of the electrical installation

- The cable must enter the rear wall at least 20 to 1/4 "above the height of the installation base, and between 7-5/8" and 4-7/8 "from the left side of the mid-line.

IMPORTANT

Keep these instructions in order to return them to the electrical inspector. The hood must be plugged directly into a 110 volt wall outlet.



Examples and positioning possibilities ducts

Follow the letter of the guidelines presented in this manual.

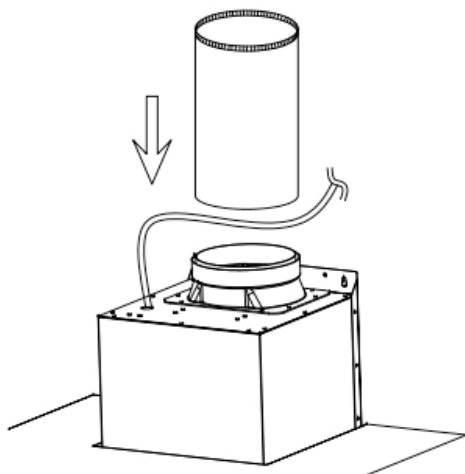
The manufacturer declines any liability with respect to any loss, damage or fire caused by non-observance of the instructions contained in this manual.

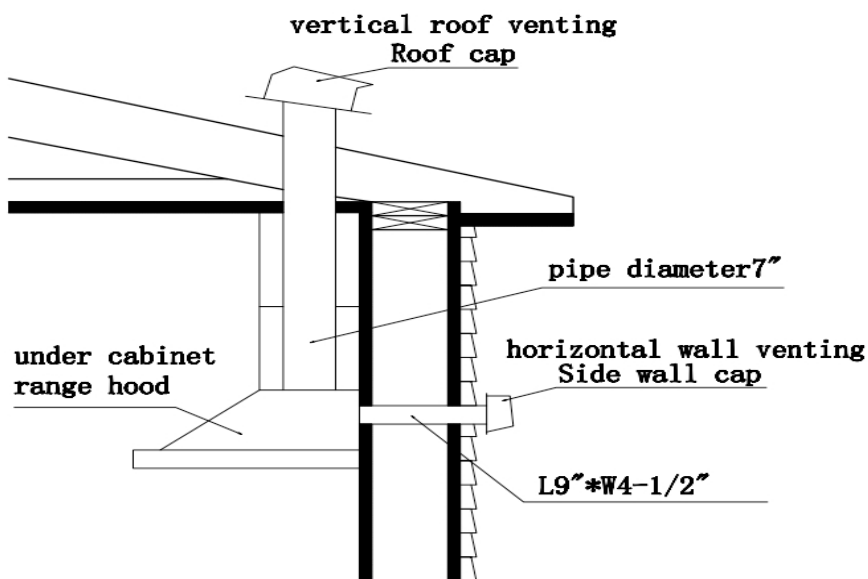
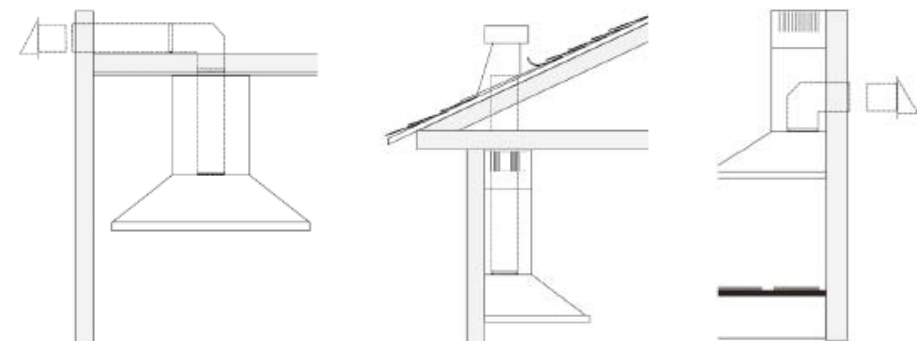
Ventilation methods

The hood is equipped with a vertical transition to remove fumes outside.

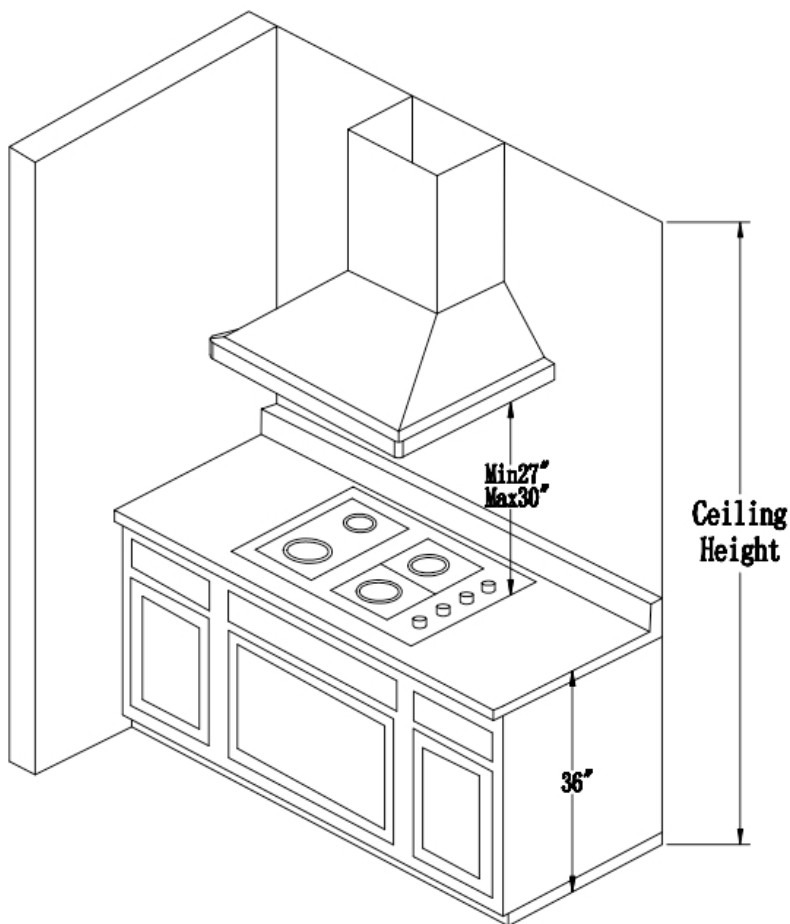
Recommended diameter conduit model and wall chimney hood and hood island: vertical round pipe 7" tolerance + or - 1.

Models Chimney hood Wall: O3 series and O4 series





CLEARANCE TRAINING



Caution: When install the hood, the height should not be too high or too low. Before the installation, please inspect the maximum height of your ceiling and bonnet. Too high, will affect the efficiency of the hood; too low, stove temperature will damage some parts of the hood. So the installation height requirement is: the distance between the bottom of the hood to the surface of the cooktop is Max 30\"/ Min 27\"(as figure showing)

INSTALLATION

If possible, unplug the stove and move it in order to have better access to the rear wall. Otherwise, place a thick blanket on the counter and the cooking surface to protect it from damage and dirt. Select a flat surface for assembling the device.

Then put the debris of the cover and hardware on to the protective cap.

Determine and mark the center line on the wall where you installed the canopy hood.

Determine a comfortable height for the user and mark it on the wall behind the stove top.

Place the template on the center line and the bottom of the hood with adhesive tape.

Place the squares of the flue

The flue must be installed against the back wall and the ceiling.

This bracket will keep the chimney up to the top.

Attach the brackets to the wall:

- Align the center lines drawn on the bracket with the center lines on the wall.
- Identify the two screw holes on the wall.
- Drill pilot holes 5/16 "in the locations shown.
- Place the fastening clips to the wall.
- Tighten wood screws, by hand, in the attachments to allow hooks to expand. Remove the screws.
- Drill guide hole, 5/16inch.
- Make clamp fix to the wall, screw down the bolts on the wall.
- Attach the bracket to the wall using the screws and / or fasteners.

Ceiling pipe

If the duct vents just above the ceiling:

- Use a level to draw a line, the center line of the template to the ceiling.
- Measure at least 4 "from the back wall to the center of the circle with a hole 7 - ½" in the ceiling.

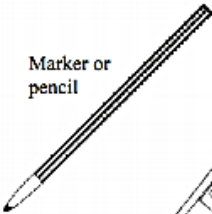
Lead in the wall If the duct vents at the rear:

Note: For a minimum extension of the chimney, we recommend using an adapter circular / rectangular fireplace.

- Use a level to draw a straight line from the center line on the template.
- Measure at least 26 - 1/4 “(the measure may vary elbow used) above the pencil line indicating the height of the bottom of the system, the circle of a conduit hole 7 - 1/2 “in diameter (the hole may be enlarged for the passage of the elbow).

NECESSARY TOOLS

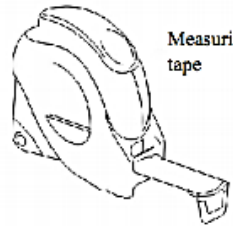
Marker or pencil



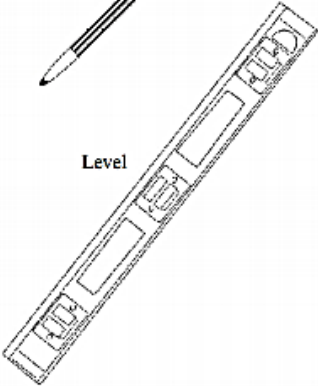
Utility knife



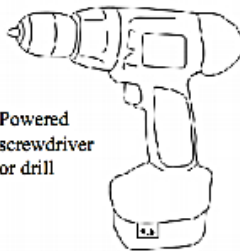
Measuring tape



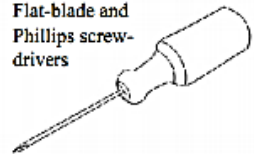
Level



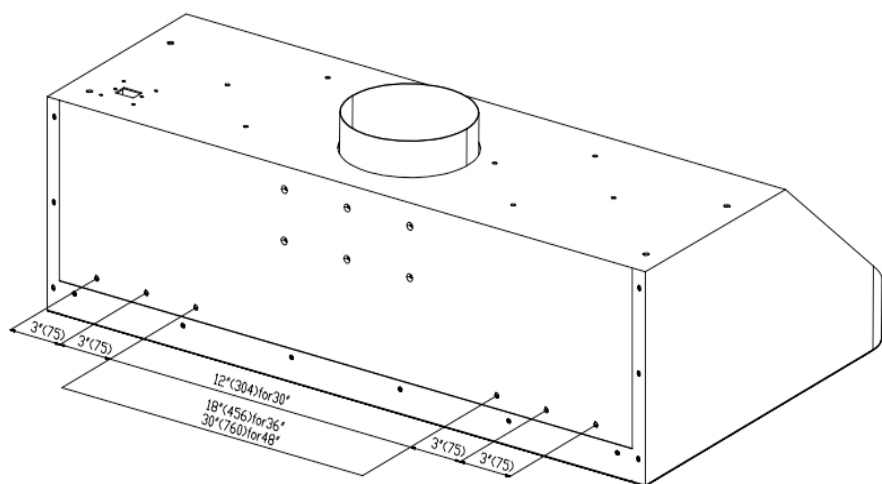
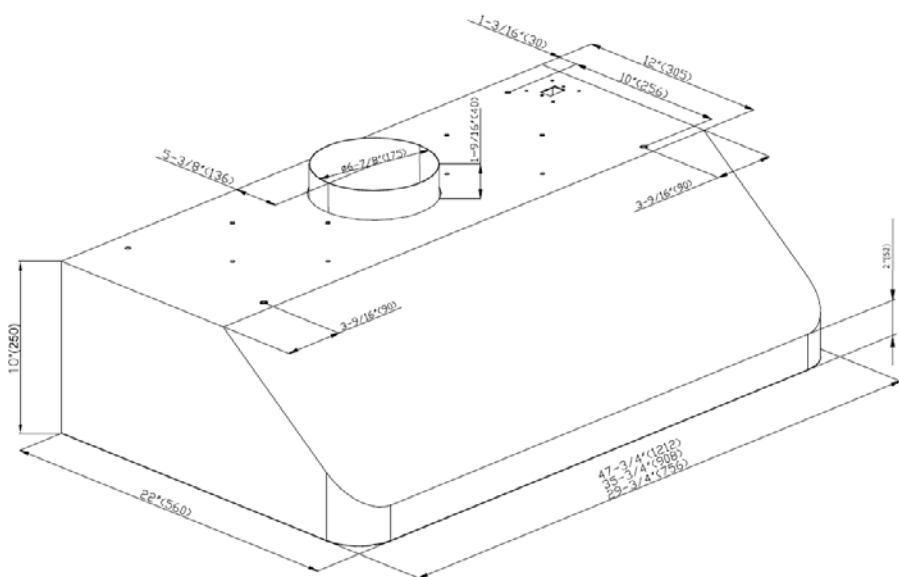
Powered screwdriver or drill



Flat-blade and Phillips screwdrivers



O1 series, O2 series range hood



Installation dimension figure of O1 series, O2 series O5 series and O6 series as below:

Fix 6pcs screws(see figure 4) to the installation dead plate

Fix the installation dead plate to the wall by screws(see figure 5)

Use double-faced aluminum foil sealed-joint(see figure 6)

Power line color (black to black, white to white, green to green) (see figure 7)

Oil box of the hood (see figure 8)

Installation of clapboard filter screen (see figure 9)

Figure 4

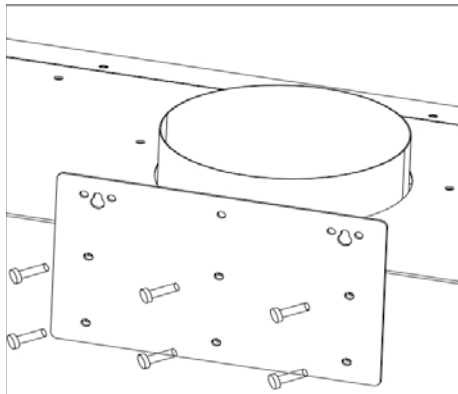
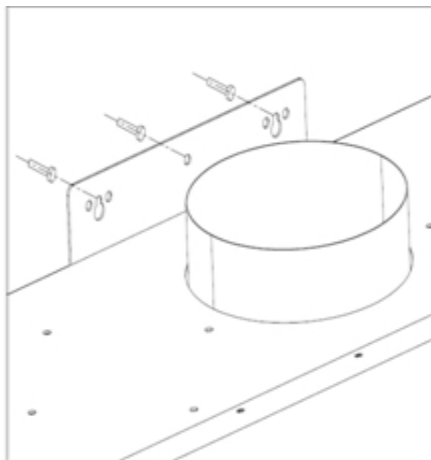


Figure 5



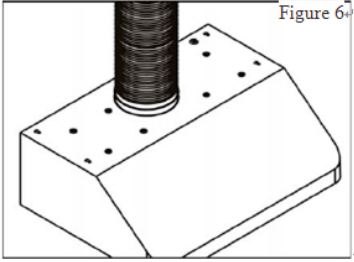


Figure 6

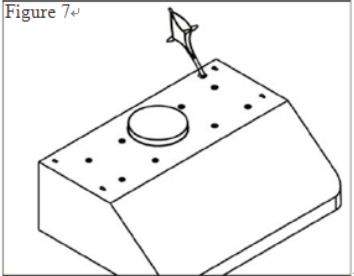


Figure 7

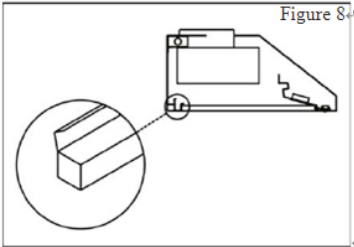


Figure 8

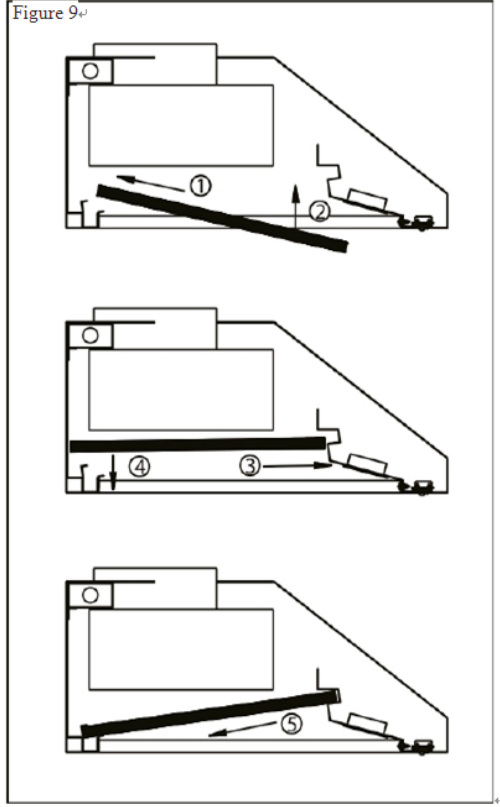
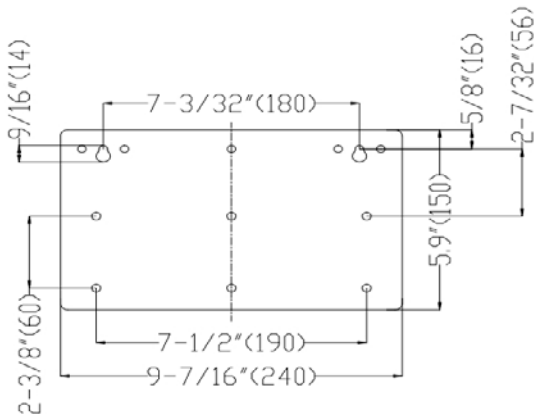
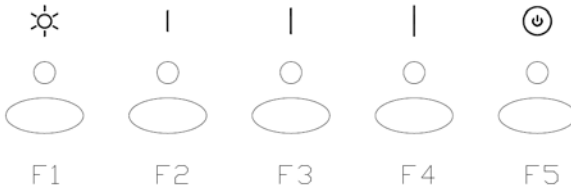


Figure 9



DESCRIPTION ORDERS FOR O2 SERIES, RANGE HOOD

O2 series range hood operating instruction as following:



Function Button: LED light button F1 low speed F2 medium speed F3 high speed F4 time-delay/on-off F5

Light Button: Power on, press F1 button once, turn on the lights, and again to turn off.

Fan button: When need to open the hood, turn on the power, press F2 button (low speed) F3 button(medium speed) F4 button(high speed)

Time-delay Button: Power on, press any button of F2/F3/F4, fan starts and F5 light automatically but does not blink.

Press F5 again, time-delay function starts, when F5 indicator light starts to blink, time-delay function unadjustable, default setting time is 5 minutes. Press F5 button again, time-delay and fan both close, LED light still on, which is independent switch.

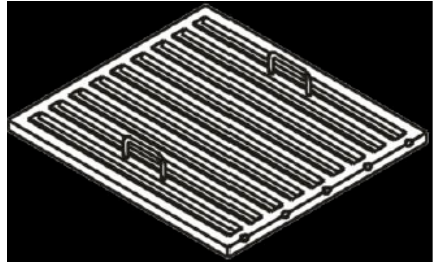
MAINTENANCE

WARNING

Before servicing or cleaning unit, switch power off at service panel and lock in access to prevent it being switched on accidentally. If the power panel can not be locked, put a prominent warning device, such as a brightly colored label.

Grease filters

The grease filters should be cleaned once a month or as needed. To remove grease filter, pull the metal latch down. This will disengage the filter hood. Tilt the filter down, then remove. To clean the filters, use a solution of warm water and detergent. Let them dry, then re install. The metal filters are dishwasher-safe. Clean filters made entirely of metal in the dishwasher using a non-phosphate detergent. Using a detergent containing phosphates and local water conditions may cause discoloration of the filters, without affecting their performance. This discoloration is not covered under warranty



Hood Cleaning

Cleaning stainless steel: how to keep his “lustrous appearance” and help prevent corrosion.

What to do:

- Wash surfaces regularly with a cloth or a clean cloth soaked in warm water and mild soap or dish detergent.
- Always clean in the direction of squall lines (direction of the grain).
- Always rinse well with clear water (2 or 3 times) after cleaning and dry completely.
- A household cleaner designed for stainless steel can also be used.

Don't s:

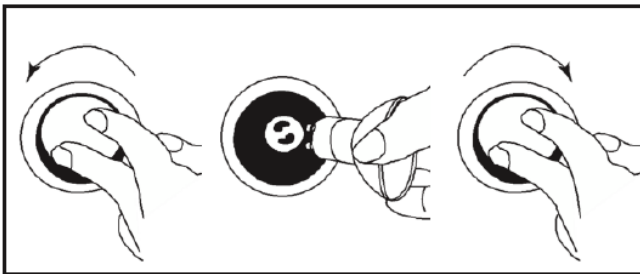
- Use steel wool or stainless steel or any other scrapers to remove stubborn dirt.
- Use any harsh or abrasive cleansers.
- Allow dirt to accumulate.
- Allow the plaster dust or any other construction residues reach the hood. Cover the hood while working to ensure no dust hood.

To avoid when choosing a detergent

- Any cleaners that contain bleach, because they attack stainless steel.
- Any product containing chloride, fluoride, iodide, bromide, they quickly deteriorate surfaces.
- Any combustible products used for cleaning such as acetone, alcohol, ether, benzene, etc. These products are highly explosive and should never be used near a stove.

To replace the bulbs:

1. Shut off the power
 2. Take off the grease filters, press both sides of the elastic clamps on the bulb, make which loose.
 3. Gently push outward, take out the bulbs.
- P.S: If necessary, wear gloves when taking out the bulbs.



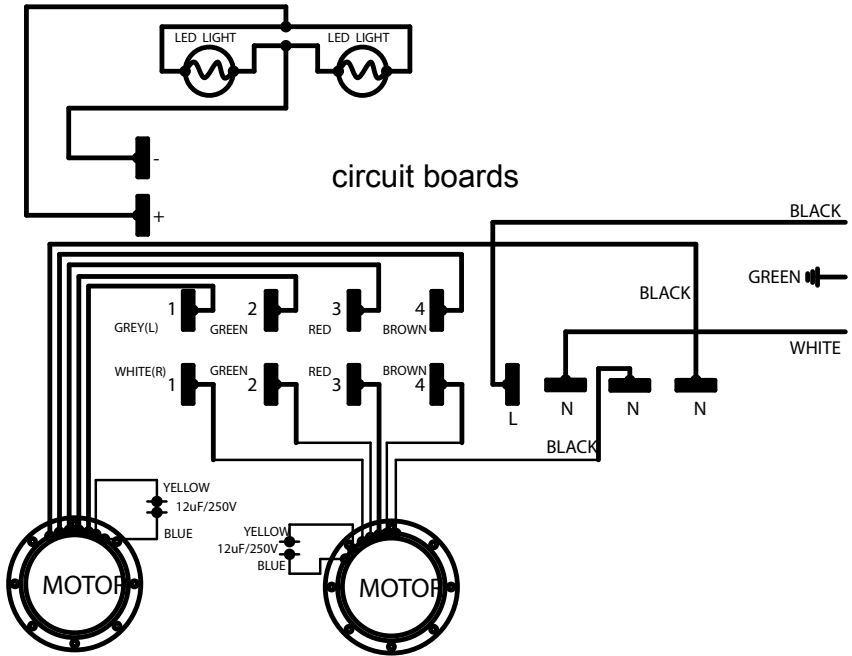
TECHNICAL SPECIFICATIONS

MODEL	UGP-30RH PL1	UGP-36RH PL1
SIZE	30" (76.2 cm)	36" (91.44 cm)
RATED POWER	900 CFM	900 CFM
CONTROLS	4 speed power control	4 speed power control
NOISE LEVEL	Super quiet: 386 CFM (1.5 sones/46 db) Low speed: 490 CFM (3.5 sones/58 db) Medium speed: 615 CFM (5.3 sones/64 db) High speed: 900 CFM (7.5 sones/69 db)	Super quiet: 386 CFM (1.5 sones/46 db) Low speed: 490 CFM (3.5 sones/58 db) Medium speed: 615 CFM (5.3 sones/64 db) High speed: 900 CFM (7.5 sones/69 db)
LIGHTS	1.5W LED Lamps x 2	1.5W LED Lamps x 2
CLEANING	Dishwasher safe stainless steel baffle filters	Dishwasher safe stainless steel baffle filters
DELAYED AUTO-SHUTOFF	3 mins pre-set	3 mins pre-set
DIMENSIONS	22"H x 29.75"W x 10"D	22"H x 35.75"W x 10"D
WEIGHT unboxed	25 Kg (56 Lbs)	27 Kg (60 Lbs)
CERTIFICATION	CSA Certified	CSA Certified

TROUBLESHOOTING

PROBLEM	CAUSE	SOLUTION
After Installation, motor and lights are not working.	The power is not on	Make sure the circuit breaker and the unit's power is ON. Use a voltage meter to check the power supply
	The wire connection is not secure	Check and tighten wire connection
	The touch panel and processor board wiring are disconnected	Check wire continuity from control panel to processor board
	The touch panel and processor board is defective	Replace the control panel or processor board
Lights are working, but motor(s) is not.	The motor(s) is defective	Replace the motor
	The capacitor(s) is defective	Replace capacitor(s)
	The control panel or processor board is defective	Replace the control panel or processing board
The range hood is vibrating	The blower system is not secure	Tighten the squirrel cage
	The squirrel cage is not balanced	Replace the squirrel cage
	Hood is not secured in place	Check the installation of hood, tighten the mounting bracket

30/36" WIRING DIAGRAM



UNIQUE®

CONTACT US

For questions related to the operation, safety or the purchase of your range hood, please contact your dealer for more information. For general information, contact our customer service department:

- Toll-free: 1-877-427-2266 or 1-905-827-6154 (available during regular business hours, 8:30 am to 4:30 pm, EST).
- Email: info@UniqueOffGrid.com

Please visit our website for more quality off-grid products:
www.uniqueoffgrid.com

Unique Gas Products Ltd., 2245 Wycroft Road, Oakville, Ontario, Canada, L6L 5L7

UNIQUE 30/36" RANGE HOOD 1 YEAR LIMITED WARRANTY

Unique Gas Products Ltd., warrants that this portable fridge/freezer is free from defects in material and workmanship under normal usage and service under the following terms:

1. This Warranty is made only to the first purchaser ("original purchaser") who acquires this fridge/freezer for his/her own use and will be honored by **Unique Gas Products Ltd.** and by the Seller.
2. Any part of this fridge/freezer returned to the Seller or **Unique Gas Products Ltd.**, which upon examination is determined by them to have been defective in material or workmanship, will at their option be either repaired or replaced under this warranty, within 14 days from date of return to **Unique Gas Products Ltd.**, without charge for materials/parts.
3. The obligation to repair or replace defective parts will apply only to parts returned within one year of the date of purchase and will constitute the Sellers sole obligation under this Warranty.

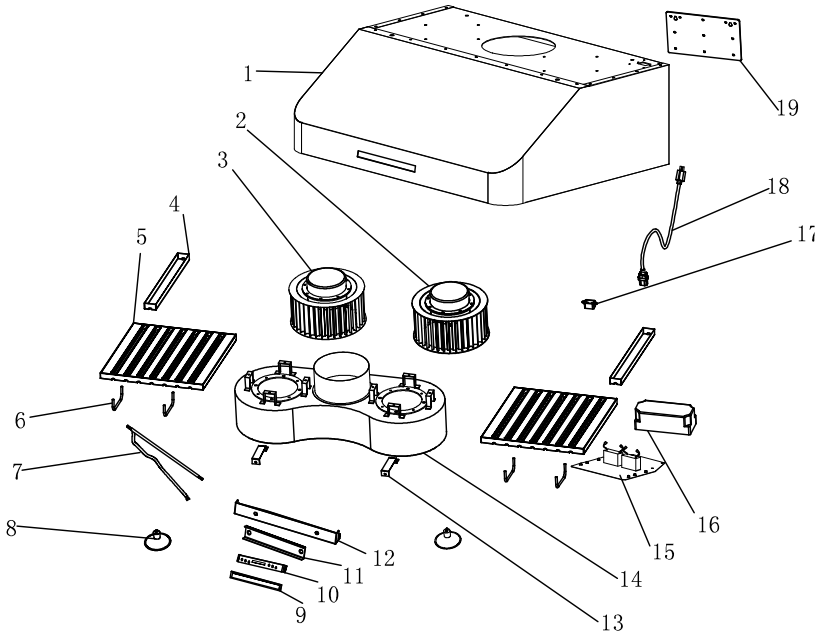
The Seller will have no obligation under this warranty with respect to conditions unrelated to the material or workmanship of this fridge/freezer. Such unrelated conditions include without limitation:

- a) damage to any part of this fridge/freezer caused by misuse, neglect of service or any alteration thereof.
- b) use of this product for any purpose other than its Intended use.

This Unique fridge/freezer must be maintained regularly as outlined in the Owner's Manual. **Unique Gas Products Ltd.** and the seller will not be liable for direct or indirect loss of foods caused by failure in operation. In case of failure, the owner must provide proof of purchase, model, and serial number to the seller or **Unique Gas Products Ltd.**

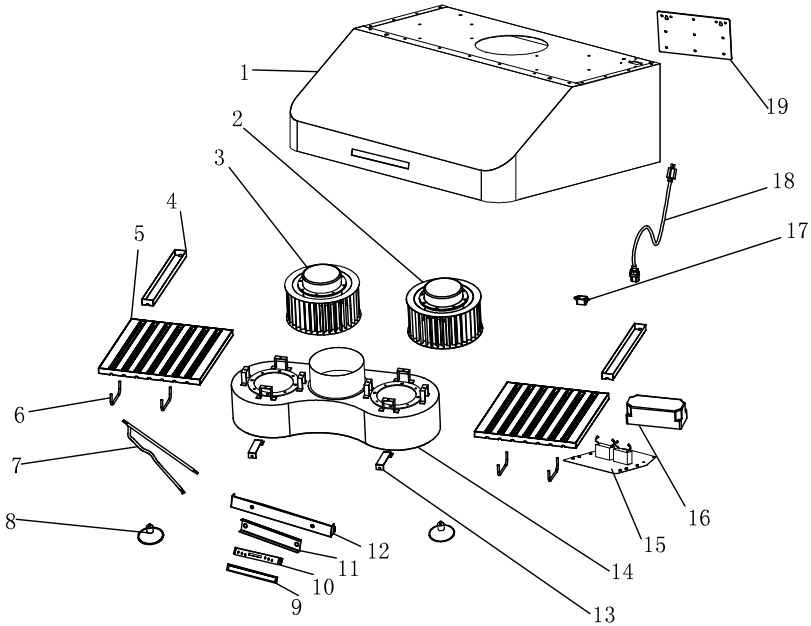
Please fill out warranty card within 30 days and mail back to Unique for warranty coverage.

30" PARTS DIAGRAM AND LIST



Item #	Description	Part #
1	outer cover	
2	motor assembly,right	UGP-22.99.0053-A0
3	motor assembly,left	UGP-22.99.0054-A0
4	filter baffle	UGP-04.01.0626-A1
5	filter	UGP-20.01.0124-A0
6	handle	UGP-12.03.0021-A0
7	LED light wire	UGP-07.06.0230-A0
8	LED light	UGP-07.04.0132-A0
9	touch panel	UGP-07.09.0191-A0
10	toggle button	UGP-07.02.0135-A0
11	retaining clip	UGP-04.02.0596-A0
12	Top plate	UGP-20.02.0117-A0
13	fixed plate	UGP-04.02.0621-A0
14	fan assembly	UGP-20.05.0119-A0
15	starting capacitance	UGP-07.08.0141-A0
16	Circuit box	UGP-22.99.0056-A0
17	socket	UGP-07.07.0134-A0
18	plug	UGP-07.06.0142-A0
19	mounted plate	UGP-04.01.0629-A0

36" PARTS DIAGRAM AND LIST



Item #	Description	Part #
1	outer cover	
2	motor assembly,right	UGP-22.99.0053-A0
3	motor assembly,left	UGP-22.99.0054-A0
4	filter baffle	UGP-04.07.1149-A0
5	filter	UGP-20.07.0216-A0
6	handle	UGP-12.03.0021-A0
7	LED light wire	UGP-07.06.0230-A0
8	LED light	UGP-07.04.0132-A0
9	touch panel	UGP-07.09.0191-A0
10	toggle button	UGP-07.02.0135-A0
11	retaining clip	UGP-04.02.0596-A0
12	Top plate	UGP-20.02.0117-A0
13	fixed plate	UGP-04.02.0621-A0
14	fan assembly	UGP-20.05.0119-A0
15	starting capacitance	UGP-07.08.0141-A0
16	Circuit box	UGP-22.99.0056-A0
17	socket	UGP-07.07.0134-A0
18	plug	UGP-07.06.0142-A0
19	mounted plate	UGP-04.04.0615-A0

UNIQUE[®]

© 2017 Unique Gas Products Ltd., 2245 Wycroft Road, Oakville, Ontario, Canada,
L6L 5L7

www.uniqueoffgrid.com

Free Manuals Download Website

<http://myh66.com>

<http://usermanuals.us>

<http://www.somanuals.com>

<http://www.4manuals.cc>

<http://www.manual-lib.com>

<http://www.404manual.com>

<http://www.luxmanual.com>

<http://aubethermostatmanual.com>

Golf course search by state

<http://golfingnear.com>

Email search by domain

<http://emailbydomain.com>

Auto manuals search

<http://auto.somanuals.com>

TV manuals search

<http://tv.somanuals.com>