



Model No.: _____ 191-707

Vendor No.: _____ 11289

UPC# _____ 792145354369

REMOTE CONTROL INSTALLATION

GENERAL INFORMATION

This remote control is designed to separately control your ceiling fan speed and light brightness. There are four buttons (Hi, Med, Low, off) to control the fan speed and off. Select “D” or “ON” in the frequency switches to control the light dimmer or ON/OFF function based on your light bulbs. The red indicator on the transmitter will light when the button is pressed.

NOTE:

When installing the remote control, be sure your fan is set on "HIGH SPEED" and light is ON.

1. SETTING THE CODE

Remove cover by snapping off from top or bottom.

This unit has 16 different code combinations. To set the code, perform these steps:

- a. Setting the code on the transmitter.
Slide frequency switches to your choice of up or down position. (Factory setting is all up. Do not use this position. Use a small screwdriver or ball point pen to slide firmly up or down (Fig. 1)
- b. For use with incandescent bulbs, use the “D” setting for full range dimming. For fans that use Fluorescent or LED bulbs, use the “ON” setting for the light to have ON/OFF functions only.

- c. Setting the code on the receiver

Caution! The frequency switches on the receiver unit are covered with a rubber cover, remove the rubber cover and then place it back after making any changes to the frequency switches.

Slide frequency switches to the same positions as set on your transmitter. (Fig. 1)

Place the cover back to the transmitter by placing over buttons and snapping into place. (Fig. 1)

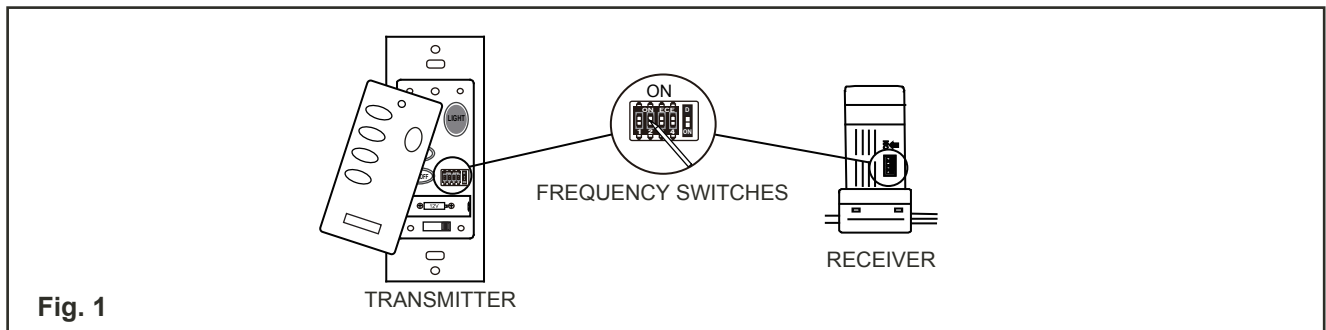


Fig. 1

2. INSTALLING RECEIVER IN CEILING FAN

A: Safety precautions:

- WARNING: HIGH VOLTAGE! Disconnect source of electrical power by removing fuse or switching off circuit breaker.
- Do not use with solid state fans.
- Electrical wiring must meet all local and national electrical code requirements.
- Electrical source and fan must be 115/120 volt, 60Hz. Maximum fan motor amps: 1.0 Maximum light watts: 300-incandescent only.
- Household electrical power can cause serious injury or death!

B: Installing receiver in fan (Fig. 2):

- a. Remove electrical power from the circuit.
- b. Remove ceiling fan canopy from the mounting bracket.
- c. Disconnect existing wiring between ceiling fan and supply at electrical junction box.
- d. Make connections as follows, using the wire nuts supplied (Fig. 3):

CONNECT	TO
Green fan wire.....	Bare supply wire
Black receiver wire (AC IN L).....	Black supply wire
White receiver wire (AC IN N).....	White supply wire
White receiver wire (TO MOTOR N)..	White fan wire
Black receiver wire (TO MOTOR L)...	Black fan wire
Blue receiver wire (FOR LIGHT).....	Blue light wire

If there are wires with different colors, have this unit installed by qualified licensed electrician.

- e. Push all connected wires up into junction box.
- f. Lay the black antenna wire on top of the receiver, and put the receiver in the mounting bracket. (Fig. 3)
- g. Reinstall all canopy on the mounting bracket
- h. Restore electrical power.

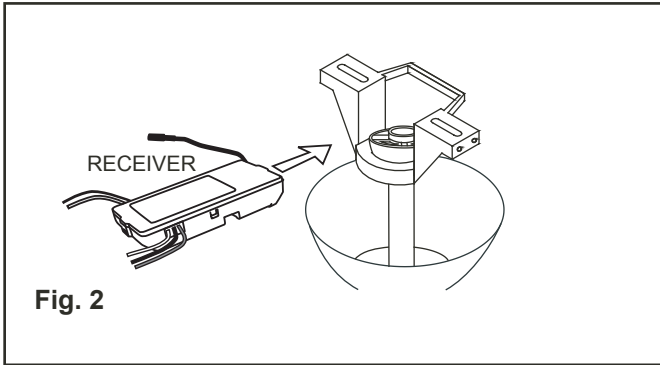


Fig. 2

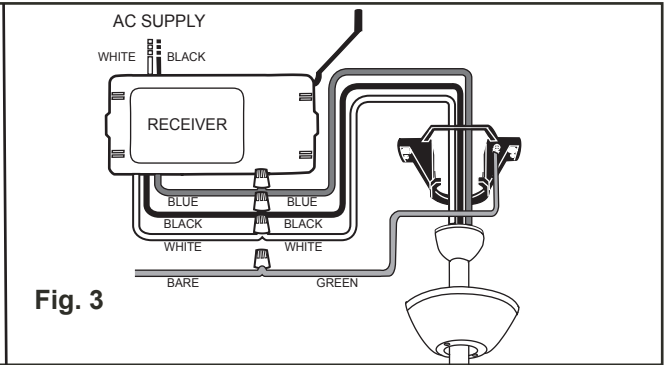


Fig. 3

3. INSTALLING THE WALL TRANSMITTER

WARNING! HOOK UP “IN SERIES” ONLY. DO NOT CONNECT NEUTRAL SUPPLY WIRE OF ELECTRIC CIRCUIT TO THE TRANSMITTER WALL SWITCH, DAMAGE TO THE TRANSMITTER WALL SWITCH AND POSSIBLE FIRE COULD OCCUR.

- a. Remove the existing wall plate and switch from the wall outlet box.
- b. Make the electrical connections as shown in Fig. 4. If your outlet box has a ground wire (Green or Bare Copper) connect the transmitter’s ground wire directly to one of the screws from the outlet box. Secure all wire connections with the plastic wire nuts provided.
- c. Carefully tuck the wire connections inside the outlet box. Use the screws provided to secure the wall transmitter and wall plate to the outlet box. (Fig. 5)

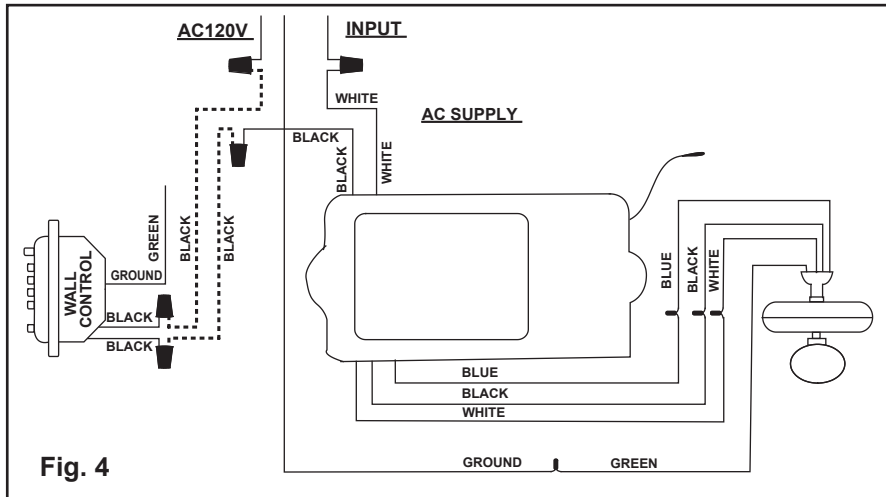


Fig. 4

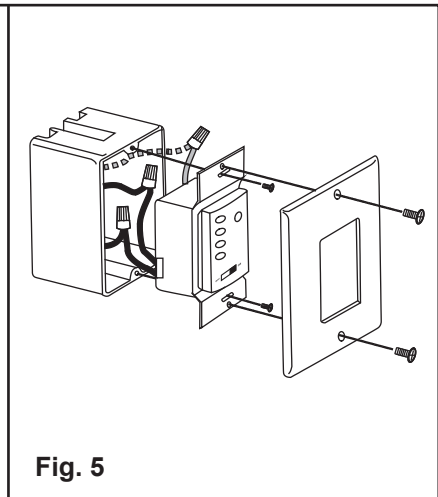


Fig. 5

- d. Remove cover by snapping off from top or bottom, install 12V battery located in the wall transmitter, Duracell MN21/Eveready A23/GP 23A all 12V. (Fig. 6)

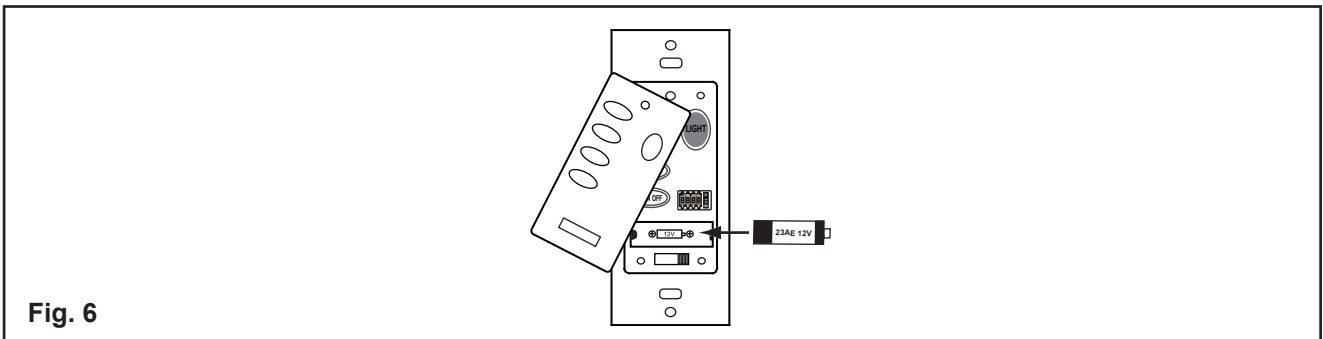


Fig. 6

4. OPERATION BUTTONS ON THE PANEL OF THE TRANSMITTER (Fig. 7):

HI key – for fan high speed.

MED key – for fan medium speed.

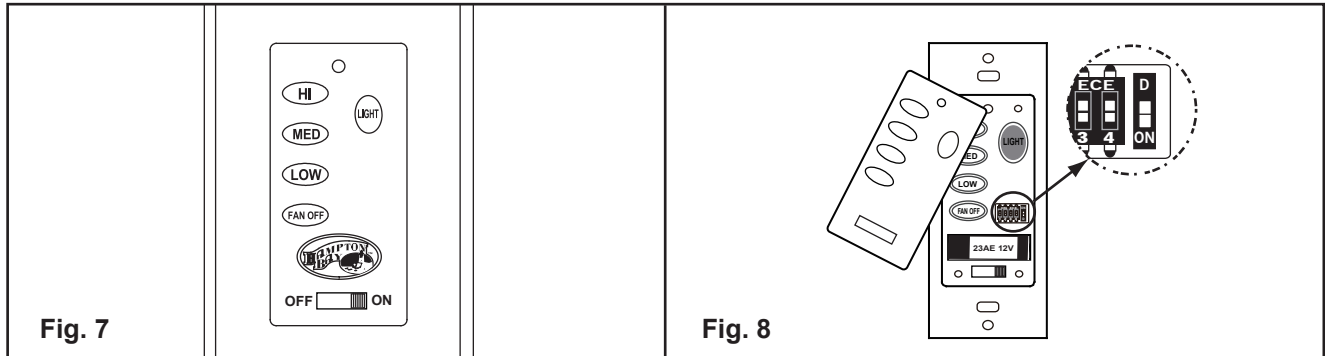
LOW key – for fan low speed.

FAN OFF key – for fan speed off.

OFF-ON Slide Button-This button turns the power Off and On to the Fan and Light(s).

LIGHT key – for fans that use incandescent bulbs, select “D” in the frequency switches, this “**LIGHT**” button will control the light brightness. Hold the “**LIGHT**” key down to increase or decrease the light. Tap the “**LIGHT**” key quickly to turn the light off or on. If you press the button in excess of 0.7 seconds it becomes a dimmer. The light varies cyclically in 0.8 seconds. The light key has auto resume. So it will stay at the same brightness as the last time it was turned off. For fans that use Fluorescent or LED bulbs, select “ON” in the frequency switches, this “**LIGHT**” button will control the light ON/OFF only. (Fig. 8)

YOUR REMOTE NOW HAS FULL CONTROL OF THE FAN AND LIGHT.



5. TROUBLE SHOOTING

1. Fails to operate:

- Power to receiver?
- Receiver wired correctly?
- Fan manual speed control in highest position?
- Light kit switch turned on?
- Code set at exact same positions in both transmitter and receiver?

2. Won't operate at distance

If transmitter operates fan/light kit when up close, but not at 20 feet away, try placing the black antenna wire higher; up through ceiling/outside the junction box.

NOTICE!

Your ceiling fan and light kit assembly must meet the following requirements:

- Do not use with solid state fans.
- Electrical rating: 120V 60Hz 3.5A
MAX. motor amps:1.0
MAX. light watts:300

Free Manuals Download Website

<http://myh66.com>

<http://usermanuals.us>

<http://www.somanuals.com>

<http://www.4manuals.cc>

<http://www.manual-lib.com>

<http://www.404manual.com>

<http://www.luxmanual.com>

<http://aubethermostatmanual.com>

Golf course search by state

<http://golfingnear.com>

Email search by domain

<http://emailbydomain.com>

Auto manuals search

<http://auto.somanuals.com>

TV manuals search

<http://tv.somanuals.com>