

DEFIANT®

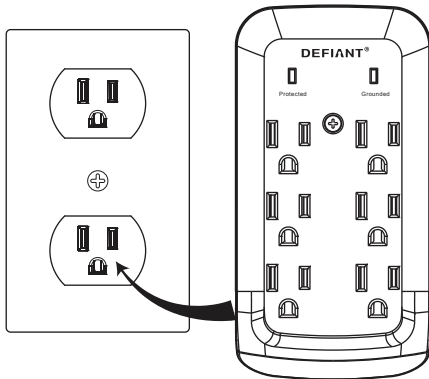
ITEM #187 860
MODEL #YLCT - 30

Use and Care Guide 6-Outlet Wall-Mount Surge Protector

Operation

1 Connecting to a power source

- Remove the surge protector from the packaging.
- Determine the desired location for the surge protector. You can mount to a wall or baseboard using the center screw provided with the surge protector.



2 Using the surge protector



WARNING: To avoid overheating and possible damage to this product and other equipment, do not use to control a device which exceeds the designed ratings.

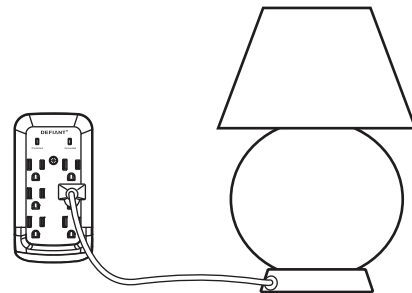
- Plug the devices to be protected by the surge protector into any of the six outlets.
- The Protected and Grounded indicator lights should turn on indicating that the unit is working and is plugged into a properly grounded outlet.



NOTE: If the "Protected" indicator light goes out, it means that the built-in surge protection has been sacrificed to protect your equipment and is no longer functioning. Turn the surge protector off, unplug all connected equipment, and replace the surge protector.



NOTE: If the "Grounded" indicator light is not on, contact a qualified electrician to properly ground the outlet before using it with your surge protector. Connecting your surge protector to an improperly grounded outlet will void all Defiant warranties.



Safety Information



WARNING: This product must be installed and/or used in accordance with the appropriate electrical codes and regulations.



WARNING: If you are not sure about any part of these instructions, consult a qualified electrician.



WARNING: The Defiant surge protector needs a path to Ground to work properly, and should only be plugged directly into a grounded outlet. Using any extension cord in conjunction with a Defiant surge protector will void all Defiant warranties. All connected equipment should be plugged directly into your Defiant surge protector.



WARNING: To avoid overheating and possible damage to this device and other equipment, do not use to control a device which exceeds the designed ratings.



WARNING: To avoid fire, shock, or death, disconnect the power at the circuit breaker or fuse and test that the power is off before connecting this product to a power source.

Specifications

Electrical Rating	125V/15A/60Hz/1875W
-------------------	---------------------

Warranty

This product is guaranteed to be free of defects in materials and workmanship for 3 years from the date of purchase. If this product is defective, call 866-308-3976 for repair or replacement parts or return the product to the store from which it was purchased. Guarantee does not include normal wear and tear.

Contact the Customer Service Team at 1-866-308-3976 or visit www.HomeDepot.com.

Free Manuals Download Website

<http://myh66.com>

<http://usermanuals.us>

<http://www.somanuals.com>

<http://www.4manuals.cc>

<http://www.manual-lib.com>

<http://www.404manual.com>

<http://www.luxmanual.com>

<http://aubethermostatmanual.com>

Golf course search by state

<http://golfingnear.com>

Email search by domain

<http://emailbydomain.com>

Auto manuals search

<http://auto.somanuals.com>

TV manuals search

<http://tv.somanuals.com>