

VIP-148AL-IC InformaCast® Compliant IP Talkback Horn

Installation

Mounting (Network Interface)

The Network Interface is designed for wall or shelf mounting and must be within 300 feet of the network switch.

Shelf: Provided with the Network Interface are four rubber pads. Peel the pads from the carrier backing and place at the four corners of the bottom of the unit.

Wall: Using the hardware provided, secure the Network Interface to the wall.

Mounting (Horn)

The horn should be mounted 15 to 20 feet above the floor to allow for best sound distribution. The unit can be mounted to a wall, a beam or an electrical box.

NOTE: For ease of installation, the base can be attached to the speaker before or after the base is mounted.

- Loosen position adjustment knob
- Insert the ball of the base into the socket of the speaker
- Tighten the position adjustment knob

These horns should be mounted 15 to 20 feet above the floor to allow for best sound distribution. The units can be mounted to a wall, a beam or an electrical box.

- A “C” clamp is provided with the horns to allow mounting to a beam. When using the “C” clamp for mounting, remove the signal cable from the ball mount. Reinstall an RJ45 connector on the signal cable after mounting, using the T568B pinout scheme. See Figure 1.

- The base has holes punched for a double-gang square box, but by punching out additional knockout holes, the base can be mounted to a single-gang or octagon box See Figure 2.
- Mount the base to wall studs using the two holes provided. Knockout holes are provided for punch out should additional holes be desired. See Figure 3.
- The horns may be rotated or moved up and down to obtain the desired position by loosening the position adjustment knob at the bottom of the unit approximately one turn. Make required adjustments, retighten knob.

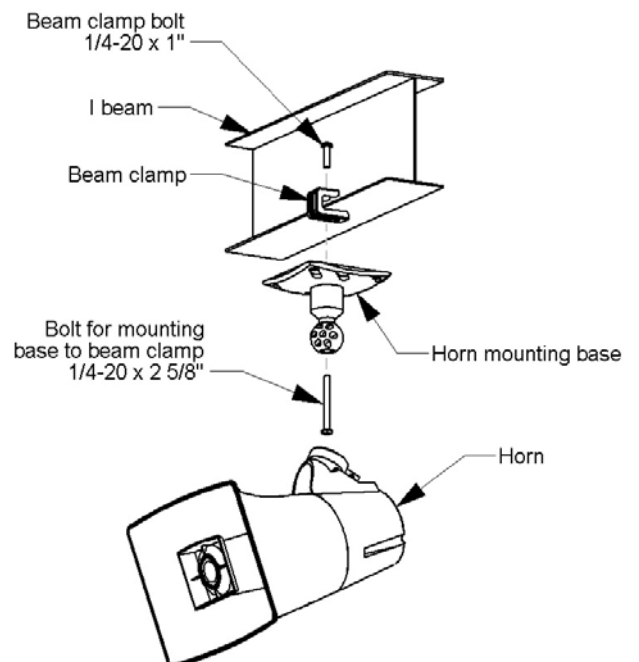


Figure 1. Mounting to a Beam with a “C” Clamp

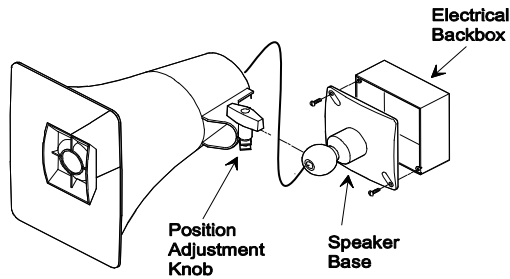


Figure 2. Mounting to an Electrical Backbox

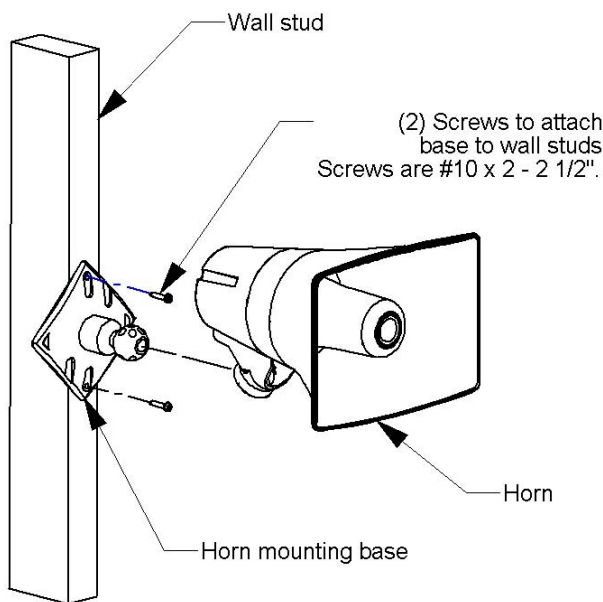


Figure 3. Mounting to a Wall Stud

Signal Connections

Audio output connection is made from the Signal Output. The RJ-45 connector on the horn is connected directly to the RJ-45 Signal Output socket on the Network Interface. If additional length is required, any standard T568B extension may be used. See Figure 4.

Network Connection

As shown in Figure 4, the Network Interface has one RJ-45 network connector on the front panel. Use a standard Ethernet patch cable to connect the NETWORK connector of the Network Interface to an 802.3af compliant PoE port (100m maximum distance).

Status Indicator Lights

The IP Link has 2 status indication lights located on network jack.

Green LED: (Link) Indicates Ethernet connection when illuminated.

Yellow LED: (Activity) Indicator flashes to indicate network activity.

Setup

The VIP-148AL-IC will automatically acquire an IP address (using DHCP) and connect to the InformaCast server when connected to the network and powered up. Information specific to your application will need to be programmed into the InformaCast server. Refer to the InformaCast documentation for further information.

Interconnections

The only method of powering a VIP-148AL-IC IP Paging Horn is via a Power over Ethernet (PoE) switch or power injector meeting the 802.3af specification.

Make all required signal connections before connecting to Ethernet switch or power injector meeting the 802.3af specification.

TECHNICAL ASSISTANCE

Assistance in troubleshooting is available from the factory. Call (540) 563-2000 and press 1 for Technical Support or via email at support@valcom.com.

When requesting assistance, you should include all available information. It is strongly suggested that you go to the website and review the information at www.valcom.com/informacast.

Valcom equipment is not field repairable. Valcom, Inc. maintains service facilities in Roanoke, VA.

Should repairs be necessary, attach a tag to the unit clearly stating your company name, address, phone number, contact person and the nature of the problem. Send the unit to:

**Valcom, Inc.
Repair & Return Dept.
5614 Hollins Road
Roanoke VA. 24019**

VALCOM LIMITED WARRANTY

Valcom, Inc. warrants its products only to the original purchaser, for its own use, to be free from defects in materials and workmanship under conditions of normal use and service for a period of one year from the date of shipment. This Limited Warranty obligation shall be limited to the replacement, repair or refund of any such defective device within the warranty period, provided that:

1. inspection by Valcom, Inc. indicates the validity of the claim;
2. the defect is not the result of damage, misuse or negligence after the original shipment;
3. the product has not been altered in any way or repaired by others and that factory sealed units are unopened (a service charge plus parts and labor will be applied to units defaced or physically damaged);
4. freight charges for the return of products to Valcom are prepaid;
5. all units 'out of warranty' are subject to a service charge. The service charge will cover minor repairs (major repairs will be subject to additional charges for parts and labor).

This Limited Warranty is in lieu of and excludes all other warranties, expressed or implied and in no event shall Valcom, Inc. be liable for any anticipated profits, consequential damages, loss of time or other losses incurred by the buyer in connection with the purchase, operation, maintenance, installation, removal or use of the product. The maximum liability of Valcom under this warranty is limited to the purchase price of the specific Product covered by the warranty.

Disclaimer. Except for the Limited Warranty provided herein, the product is provided "as-is" without any warranty of any kind whatsoever including, without limitation, any **WARRANTY OF MERCHANTABILITY, FITNESS FOR A PARTICULAR PURPOSE OR NON-INFRINGEMENT.**

This warranty specifically excludes damage incurred in shipment. In the event a product is received in damaged condition, the carrier should be notified immediately. Claims for such damage should be filed with the carrier involved in accordance with the F.O.B. point.

Headquarters:
Valcom, Inc.
5614 Hollins Road Roanoke, VA 24019-5056
Phone: (540) 563-2000 FAX: (540) 362-9800

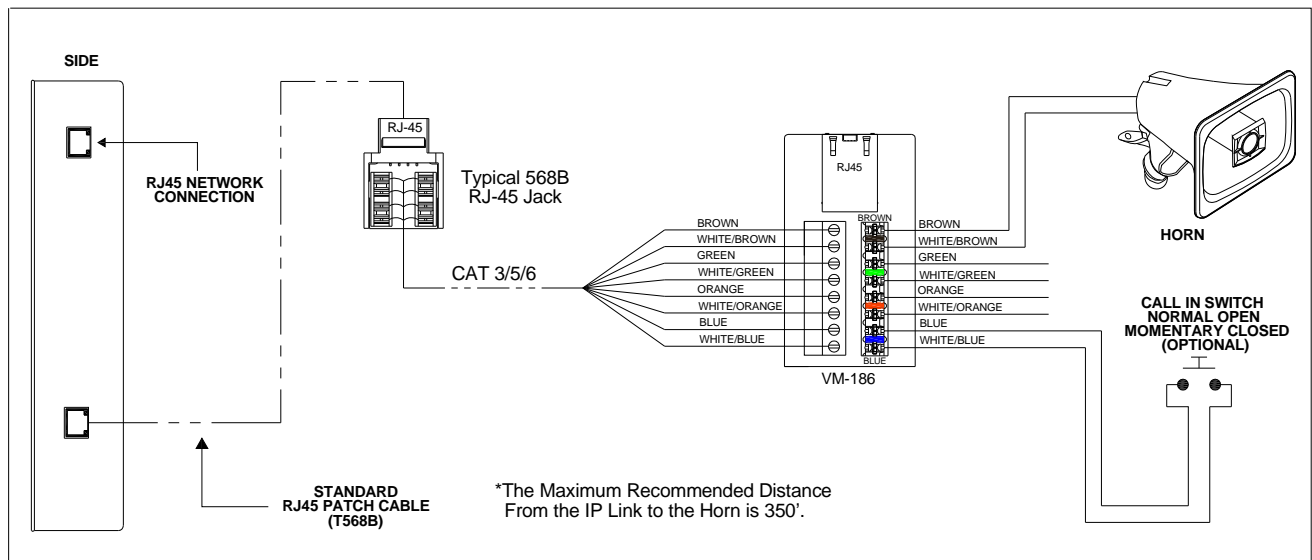
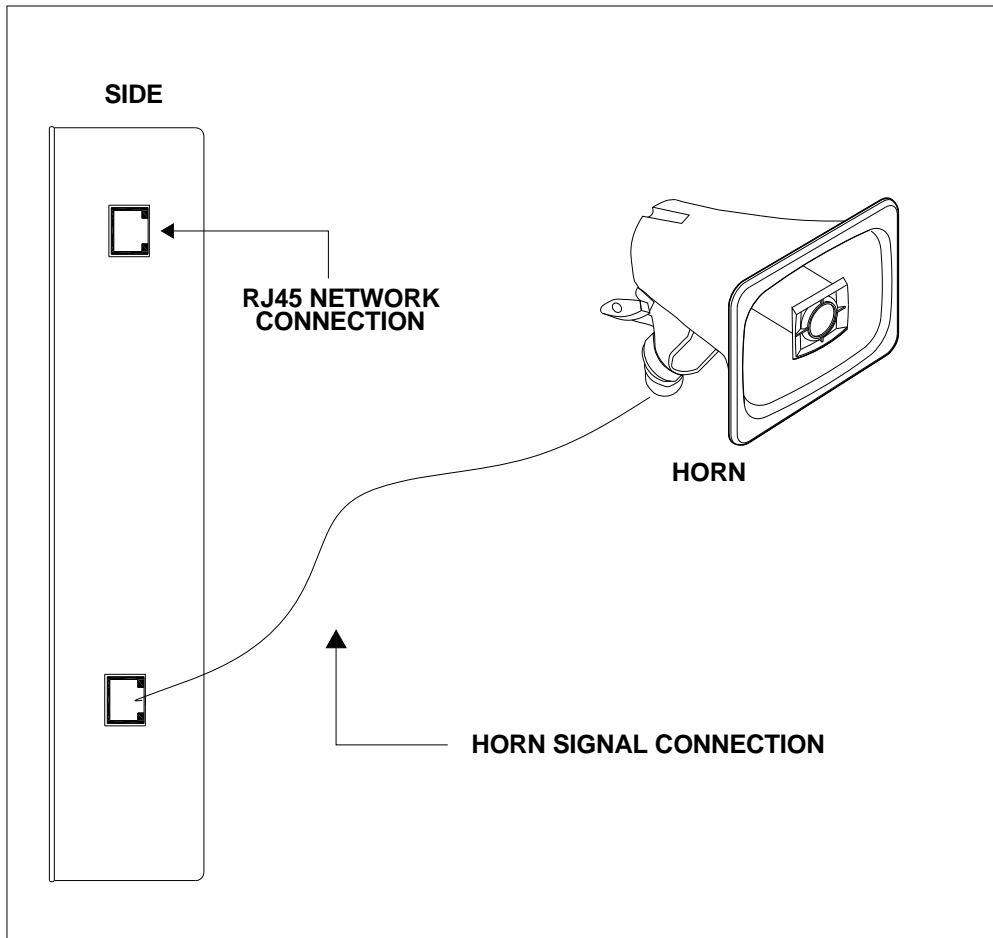


Figure 4. Audio Connections

Free Manuals Download Website

<http://myh66.com>

<http://usermanuals.us>

<http://www.somanuals.com>

<http://www.4manuals.cc>

<http://www.manual-lib.com>

<http://www.404manual.com>

<http://www.luxmanual.com>

<http://aubethermostatmanual.com>

Golf course search by state

<http://golfingnear.com>

Email search by domain

<http://emailbydomain.com>

Auto manuals search

<http://auto.somanuals.com>

TV manuals search

<http://tv.somanuals.com>