

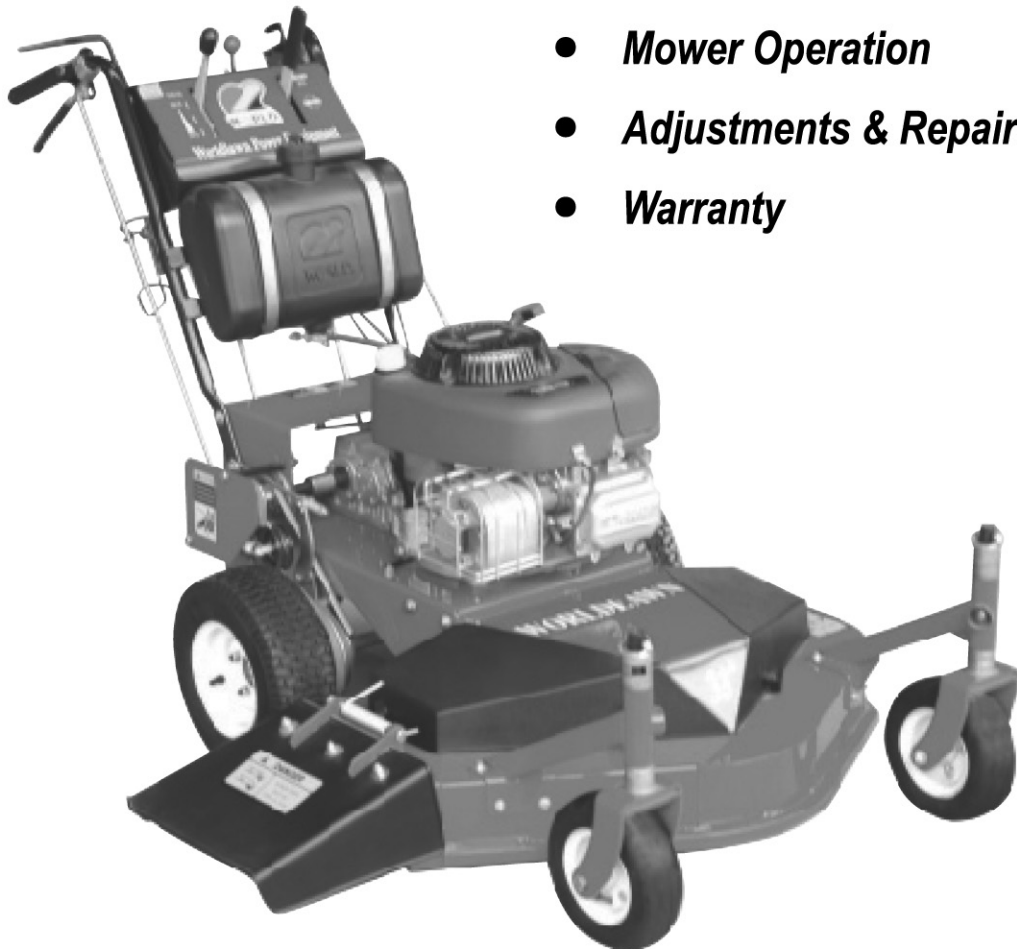
Operator's Manual



WORLDLAWN[®]

Commercial / Residential 33" Mower

- *Service Information*
- *Maintenance*
- *Mower Operation*
- *Adjustments & Repairs*
- *Warranty*



Worldlawn Power Equipment, Inc.

422 Turnbull Canyon Road City of Industry CA 91744

Toll Free Number:1-866-9-Mowers(1-866-966-9377)



Service Information

WORLDLAWN 33" COMMERCIAL RESIDENTIAL MOWER

SERVICE AND REPAIR PARTS INFORMATION

If you have questions, problems, need an Operator's or Parts Manual, please contact your local Worldlawn authorized dealer or call the Factory. When calling or writing, please provide the Model and Serial Number of your Mower.

WORLDLAWN POWER EQUIPMENT INC.

Phone: (626) 934-8552

Fax: (626) 934-8162

E-mail: Worldlawnmower@adelphia.net

Some of the pictures will vary between models but they usually depict similar information.

MODEL NUMBERS 33" MOWERS

MODEL	ENGINE	STARTER
WY33N11BS	B&S10.5HP Intek I/C	Recoil
WY33N11BSE	B&S11.5 HP Intek I/C	Electric
WY33N13BS	B&S13HP Intek I/C	Recoil
WY33N13BSE	B&S13HP Intek I/C	Electric
WY33N11HD	Honda GXV340	Recoil
WY33N11HDE	Honda GXV340	Electric
WY33N13HD	Honda GXV390	Recoil
WY33N13HDE	Honda GXV390	Electric
WY33N13KW	Kawasaki FH381V	Recoil
WY33N13KWE	Kawasaki FH381V	Electric

Factory specified replacement parts for your Mower are available from either your local worldlawn authorized dealer or by calling the Factory.

Contact your local Worldlawn or Engine authorized dealer or call the Factory where local laws require the Mower to have a Spark Arrester Muffler.

For engine information, contact your nearest authorized Engine Service Dealer. Look in the Yellow Pages under "Engine-Gasoline." The Engine Warranty is covered by the Engine Manufacturer's Limited Warranty.

Record (See FIG.1)

Model No. _____

Serial No. _____

Table Of Content



TABLE OF CONTENTS

SAFETY INFORMATION

Equipment Safety and Training.....	1
Preparation to Mow.....	1
Operating the Mower	1

MAINTENANCE

Maintenance and Storage.....	1
Initial Assembly.....	2
Blade Care.....	2
Daily Maintenance.....	2
Safety decals.....	2

MOWER OPERATION

Operation.....	3
Starting the engine.....	3
Stopping the engine.....	3
Blades and wheels drives.....	3

ADJUSTMENTS AND REPAIRS

Adjustments and Repairs.....	4
Blade Replacement.....	4
Blade Spindle Belt Replacement.....	4
Blade Brake Pad Replacement.....	4
Blade Drive Belt Replacement.....	4
Transmission Drive Belt Replacement.....	5
Wheel Drive Belt Replacement.....	5
Wheel Drive Controls Adjustment.....	5
Wheel Brake Adjustment.....	6
Blade Drive Lever Adjustment.....	6
Shift Control Rod Adjustment.....	6
Cutting Height Adjustment.....	6
Transmission Adjustment.....	7

SERVICE BATTERY

Service Battery.....	8
Connecting The Negative Battery Cables.....	8
Check Battery Charge.....	8

ELECTRICAL SCHEMATIC

Wiring Harness Diagram.....	10
-----------------------------	----

ACCESSORY

Nylon Grass Catcher.....	11
--------------------------	----

WARRANTY

Warranty Information.....	12
---------------------------	----

NOTES

Notes.....	13
------------	----



Safety Information



RULES FOR SAFE OPERATION

LOOK FOR THIS SYMBOL TO POINT OUT IMPORTANT SAFETY PRECAUTIONS. IT MEANS ATTENTION!
BECOME ALERT! YOUR SAFETY IS INVOLVED.

EQUIPMENT SAFETY AND TRAINING

- **READ** the **OPERATOR'S** Manual Carefully. Be thoroughly familiar with the controls and the proper use of the Mower.
- **NEVER** allow children to operate or ride on the Mower. Do not allow adults to operate the Mower without proper instruction.
- **KEEP** the area of operation clear of all bystanders, particularly small children and pets.
- **DO NOT** operate the Mower if under the influence of alcohol, medication or when tired or ill.

PREPARATION TO MOW

- **THOROUGHLY** inspect the area where the Mower is to be used and remove all stones, sticks, wires, bones and other foreign objects.
- **DO NOT** operate the Mower when barefoot or wearing open sandals. Always wear appropriate footwear.
- **CHECK** the fuel before starting the engine. Do not fill the Gasoline Tank indoors or when the Engine is running. Wait until the Engine has cooled for several minutes after running. Clean off any spilled gasoline before starting the engine.
- **KEEP** the Blade Drive Lever in the disengaged position and shift the Transmission into neutral before starting the engine. Never make a height adjustment or any Mower adjustment while the engine is running.
- **NEVER** operate the Mower in wet grass. Always be sure of your footing; keep a firm hold on the handles and walk; never run.

OPERATING THE MOWER

- **ALWAYS** wear safety goggles or safety glasses with side shields when operating the Mower.
- **DO NOT** change the Engine Governor setting or over speed the engine.
- **DO NOT** put hands or feet near or under rotating parts. Keep clear of the discharge opening at all times.
- **TEST** the operation of Blade Drive Lever before each use. If Blades rotate longer than three seconds after the controls are disengaged, stop the Engine and immediately contact your local Worldlawn authorized dealer or call the factory for instructions. **DO NOT** use the Mower until the mechanism is repaired.
- **MAKING TURNS** :The Mower turns easily by squeezing the right of left lever.
- **WATCH** for traffic and **STOP** the Mower Blade when crossing gravel drives, walks or roadways.
- **MOW** only in daylight or in good artificial light. Always run the Engine at the fast speed setting for best mowing performance.

- **STOP** the Engine, after striking a foreign object, disconnect the spark plug wire, thoroughly inspect the Mower for any damage and repair the damage before restarting and operating the Mower.

If the Mower should start to vibrate abnormally, **STOP** the Engine, disconnect the spark plug wire, and check immediately for the cause. Vibration is generally a warning of trouble.

- **STOP** the Engine whenever you leave the Mower, or during cleaning, repairing or inspecting. Make certain the Blades and all moving parts have stopped. Disconnect the spark plug wire, and keep the wire away from the plug to prevent accidental starting.
- **MOW** across the face of slopes; never up and down. Exercise extreme caution when changing direction on slopes. Do not mow on slopes (with an incline of more than 15°). Exceeding the maximum safe operating angle may cause tipping and loss of Mower control.
- **ALWAYS** mow with all Covers in place and the Discharge Chute in the down position except if an optional Grass Catcher is completely installed.
- **DO NOT** touch Engine parts which may be hot from operation. Allow parts to cool completely before inspecting, cleaning, adjusting, refueling or repairing the Mower.
- **Shut off the Fuel Valve at the bottom of the Tank before transporting the Mower on a trailer, FIG10.** Failure to do so may cause flooding of the Carburetor due to road vibration.

USE THE FOLLOWING MAINTENANCE PROCEDURES TO KEEP YOUR MOWER IN GOOD OPERATING CONDITION

MAINTENANCE AND STORAGE

- **CHECK** the Blade and Engine Mounting Bolts at frequent intervals for proper tightness.
- **KEEP** all Nuts, Bolts and Screws tight to be sure the equipment is in safe working condition.
- **NEVER** store the Mower with gasoline in the Tank inside a building where fumes may reach an open flame or spark. Allow the Engine to cool before storing in any enclosure. Store gasoline in a cool, well vented area, and only in an approved container.
- Keep **MOWER** Blades sharp. Use Caution, wear gloves and eye protection when servicing and sharpening Blades. To reduce fire hazard, keep the engine free of grass, leaves, debris and grease.

Maintenance

- Check the tires for proper pressure.
Front caster tires 20psi.
Rear tires 20psi.
- Drain and refill the Transmission Oil yearly—use one pint of SAE 30. FIG 9 & FIG 15.
- Grease all pivots daily, or more often as needed, depending on operating conditions.
- Use only Worldlawn® original equipment replacement parts. “WILL FIT” parts could present a safety hazard and void the warranty.

INITIAL ASSEMBLY

The Handlebars and Control Linkages may not be completely installed on the Mower and Connectors may be disengaged. Attach the Handlebars with two bolts on each side as shown in FIG 9. Attach Throttle Cable to the Engine as shown in FIG 1 and in the Engine Operating & Maintenance Instructions. Each of the Control Rods must be connected as shown in FIG 3 & 10. Follow the instructions to properly adjust each of the controls. The Fuel Line should be connected to the Engine Fuel Filter and attached to the Engine with one Tie. Tighten the Fuel Clamp Screw FIG 1. Attach the Discharge Chute FIG 7. Attach the LH & RH Front Caster Wheel Arm Assembly to the Mower Deck with 4 bolts in each Arm.

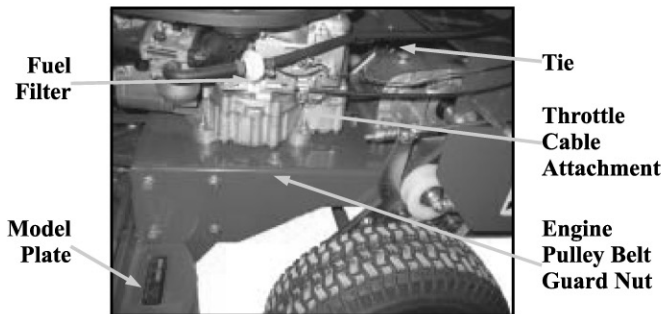


FIG 1 Throttle and Fuel Line Attachment

(The positions of Fuel Filter And Throttle Cable Attachment are a bit different on different models of Engines.)

For the Electric Start Mower, FIG 2, plug the Connector A on the Handlebar into the Connector B on the Engine Frame, refer to the Wiring Harness Diagram, page 8.

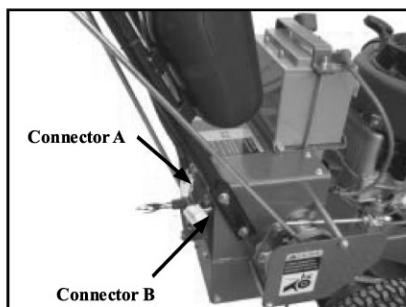


FIG 2 Electric Start Controls



To prevent personal injury or Mower damage, do not attempt to start the Engine until the Handlebars and Control Rods are properly installed, checked for proper operation and you have read and understood the safety, controls and operation of the Mower.



Shut off Engine and Disconnect the Spark Plug Wire, and keep the wire away from the plug to prevent accidental starting before making any Inspections, Repairs or Adjustments (Except Carburetor)

REFER to the Engine Operating & Maintenance Instructions for the following Engine Service Information:

- Safety
- Engine Information
- Oil
- Fuel & Starting Info.
- Warranty Information
- Starting and Stopping
- Maintenance
- Adjustments
- Parts and Service & Storage

Tiping mower for service



When servicing the underside of the Mower, make sure Mower is securely blocked up to prevent it from falling and injuring anyone.

BLADE CARE

For best results keep Mower Blades sharp. The Blades can be sharpened with a few strokes of a file or dressed on a grinding wheel. DO NOT attempt to sharpen Blades while on the Mower.


1. When sharpening the Blades take care to maintain Blade balance. Check for proper balance before reinstalling. Replacing bent or damaged Blades.
2. To ensure good cutting performance, install new Blades at the start of each mowing season.

DAILY MAINTENANCE

1. Make sure all Nuts and Bolts are tight and Pins securely in place. Especially make certain the Engine and Blade Bolts/Nuts are tightened properly.
2. Pressure wash to remove grease, spilled oil, accumulated dirt and clippings from around belts and underside of Mower.
3. Grease Fittings are provided on important parts requiring lubrication. See FIGS 3 & 10.


SAFETY DECALS

Make certain that all Safety Decals on the Mower are kept clean and in good condition. For Replacement, please refer to the Parts Catalog that accompanied the Mower.

 Follow the Engine Manufacturer's instructions for the type of gasoline and oil to use.

Left and right sides of the Mower are taken as viewed from the operator station behind the Mower.

OPERATION

 Your Worldlawn® Mower is equipped with a Blade Spindle Brake which stops the Blade rotation when the Blade Drive Lever has been disengaged. DO NOT attempt to defeat the purpose of this control.

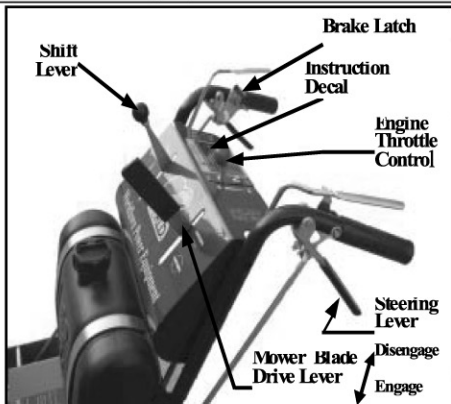



FIG 3 Mower Controls

-NOTE-

The Mower can be manually pushed or pulled:

- * Both of Steering Levers released.
- * The Transmission must be in NEUTRAL.

STARTING THE ENGINE FIG 3

 Keep hands and feet clear of Mower Blades. Look behind you to be sure there are no obstacles before pulling the Recoil Starter Rope.

• RECOIL START ENGINE

1. See that the Blade Drive Lever is disengaged and the Transmission is in neutral.
2. Move Engine Throttle Control to Choke position. When restarting a warm engine move Throttle Control to a mid position.
3. Stand on the left side of the Mower and place one foot against the rear Tire.
4. Grasp the recoil starter rope handle, and pull slowly until resistance is felt. Then pull rapidly to overcome Engine compression and to prevent kickback and start the Engine,

when started move Throttle Control to mid position.

• ELECTRIC START ENGINE

1. See that the Blade Drive Lever is disengaged and the Transmission is in neutral. FIG 3.
2. Move Engine Throttle Control to Choke position. When restarting a warm engine move Throttle Control to a mid position.
3. Turn Ignition Key to START position, when engine starts return Key to RUN position.

STOPPING THE ENGINE FIG 3


• RECOIL START ENGINE

1. Pull tight both Steering Levers to handle and lock both Brake Latches.
2. Shift the Transmission into neutral.
3. Disengage the Blade Drive Lever.
4. Move Throttle Control to SLOW position to slow down Engine speed, then move Throttle Control to Stop position.

• ELECTRIC START ENGINE

1. Pull tight both Steering Levers to handle and lock both Brake Latches.
2. Shift the Transmission into neutral.
3. Disengage the Blade Drive Lever.
4. Move Throttle Control to SLOW position to slow down Engine speed, then turn Key to OFF position

BLADES AND WHEELS DRIVES FIG 3

 Stop forward travel before changing speeds. Squeeze both Steering Levers, lock the Brake Latches, shift to desired gear, again release both Steering Levers.

1. Slowly and firmly push the Blade Drive Lever forward to engaged position. Do not ram this lever.
2. The blade tip speed on 33" is 16,673 feet per minute.
3. Pull tight both Steering Levers to handle and lock both Brake Latches, move Gear Shift Lever to select desired speed according to moving conditions and terrain:

1 st (Low)	1.85mph
2 nd (Medium)	2.65mph
3 rd (High) for travel	3.55mph
4. To start forward movement, release both Steering Levers.
5. For reverse travel, shift the Transmission into neutral and manually pull the Mower backwards.
6. To stop the Blades and Wheels, pull tight both Steering Levers to handle and lock both Brake Latches, Disengage the Blade Drive Lever which applies to the Blade Brake and both Wheel Brakes.

Adjustments & Repairs



ADJUSTMENTS AND REPAIRS

Remove and reinstall the Belt Cover for any service of Spindles, Blades, Blade Brake Pad and Blade Drive Belts. FIG 4.

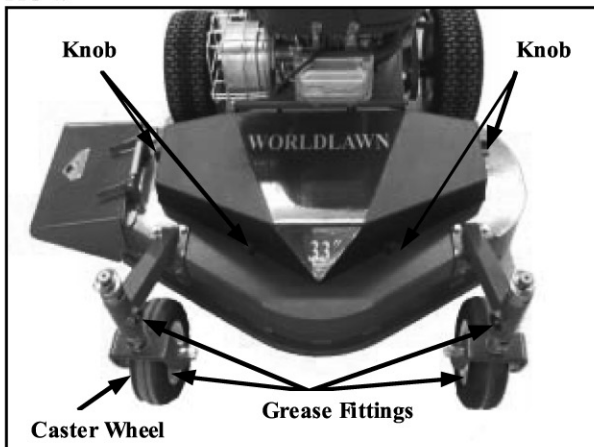


FIG 4 Belt Cover

1. To remove the Belt Cover, loosen four Knobs, lift Belt Cover up and pull toward the front of the Mower.
2. Reinstall Belt Cover in reverse directions and install four Knobs.



DO NOT OPERATE MOWER WITHOUT BELT COVER INSTALLED. FAILURE TO FOLLOW THIS INSTRUCTION COULD RESULT IN PERSONAL INJURY AND / OR MOWER DAMAGE.

BLADE REPLACEMENT FIG 5

1. Remove Belt Cover and block up front of Mower. Remove Blade Bolt, Belleville Washer and Locknut.
2. Reinstall all parts in proper order. Be sure Splined Spacer fits above the Blade and the Flats in Blade are aligned with flats on the Blade Spindle Shaft. Torque to 35-45ft.lbs.
3. Remove blocking

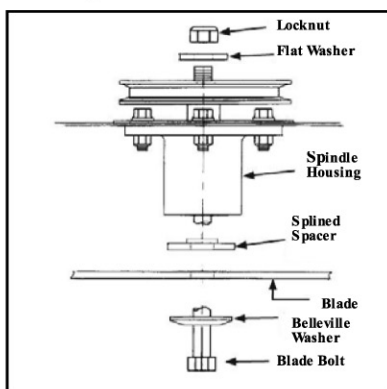


FIG 5 Mower Spindle & Blades

BLADE SPINDLE BELT REPLACEMENT

FIG 6

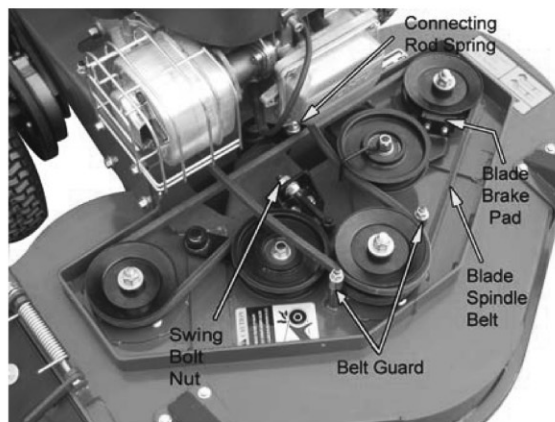


FIG 6 Blade Spindle Belt

1. Be sure that Mower Blade Drive Lever is disengaged and both Brake Latches are locked. FIG 3.
2. Remove both Center Spindle Pulley Belt Guard and remove the Blade Drive Belt from around Center Pulley.
3. Loosen Swing Bolt Nuts.
4. Remove old belt or replace with a new belt, route belt around pulleys as shown. Reinstall Blade Drive Belt and Belt Guard, tighten Swing Bolt Nuts.
5. Reposition Belt Guards 1/8" clearance from tensioned Belt and tighten.
6. To adjust Blade Spindle Belt tension, tighten or loosen Swing Bolt Nuts.

BLADE BRAKE PAD REPLACEMENT FIG 6

1. Move Idler Assembly out of the way and remove hardware securing Blade Brake Pad.
2. Install new Pad, center the Pad in the Spindle Pulley groove, retighten Nuts.
3. Operate Controls to see that the Blade Brake Pad properly centers in the left Spindle Pulley groove.
4. Test operation of the Blade Brake System, to see that the Blade Brake stops Blade rotation within 3 seconds.

BLADE DRIVE BELT REPLACEMENT FIG 7



FIG 7 Blade Drive Belt

1. Be sure that Mower Blade Drive Lever is disengaged and both Brake Latches are locked. FIG2
2. Remove both Center Spindle Pulley Belt Guard, FIG 6, loosen and remove Belt Guard from Engine Pulley, Nuts are shown in FIG 9.
3. Remove Blade Drive Belt and replace Belt, route Belt around Pulleys as shown.
4. Reposition Belt Guards 1/8" clearance from tensioned Belt and tighten.
5. To adjust Belt tension, tighten or loosen nut. FIG 6
6. Operate the Blade Drive Lever to see that the Belt guard clear the pulleys and the belt and that the Blade Brake functions properly.

TRANSMISSION DRIVE BELT REPLACEMENT FIG 8

1. Remove Engine Pulley Belt Guard FIG 1 & 9 and Blade Drive Belt from Engine Drive Pulley.
2. Loosen Locknut and move the Transmission Drive Idler Pulley toward the RH side of the Mower.
3. Install new Belt, reinstall Engine Pulley Belt Guard.

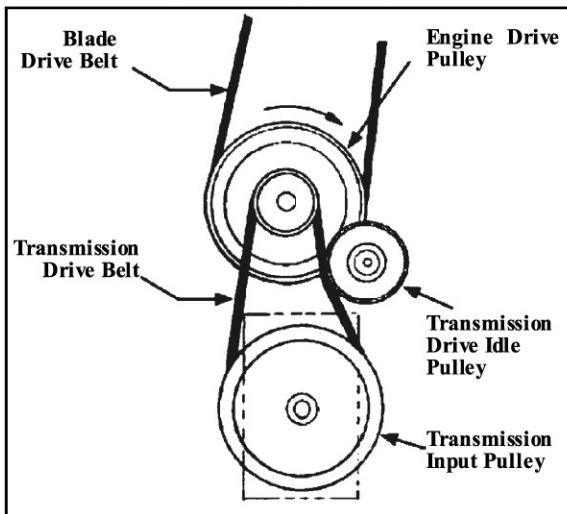


FIG 8 Transmission Drive Belt
(As viewed from top of mower)

WHEEL DRIVE BELT REPLACEMENT FIG 9

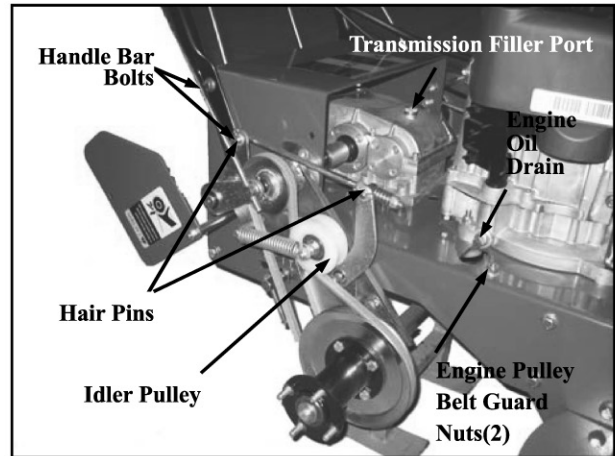


FIG 9 Wheel Drive Belts

1. Raise and securely block up Engine Frame so tires clear the ground and work from RH side of Mower.
2. Remove locknuts and Belt Guard,
3. Squeeze Steering Lever to lift up Idler Pulley.
4. Remove Wheel Drive Belt and replace Belt, route Belt around Pulleys as shown.
5. Reinstall all parts in proper order.

-NOTE-

THE FOLLOWING TWO ADJUSTMENTS MAY BE REQUIRED IF THE MOWER DOES NOT HOLD ON A HILL WITH BOTH STEERING LEVERS PULLED TIGHT TO HANDLES OR IF THE BRAKE(S) DRAG WHEN BOTH STEERING LEVERS ARE RELEASED.

WHEEL DRIVE CONTROLS ADJUSTMENT FIG 10

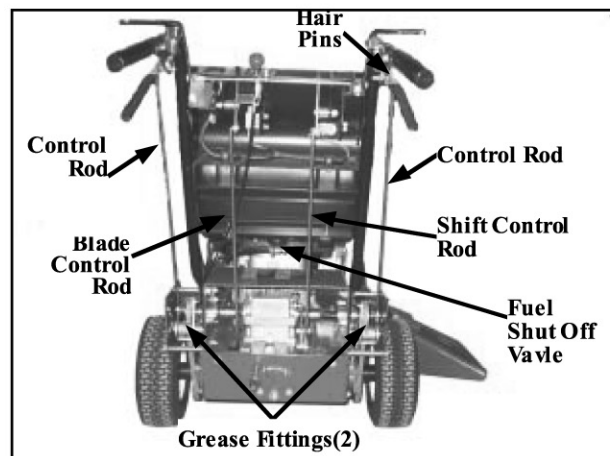


FIG 10 Wheel Drive Controls

1. Remove the Hair Pin and pull out Control Rod from the

Adjustments & Repairs

Steering Lever.

2. Lengthen or shorten the Control Rod a few turns so that the Mower should be braked when the Brake Latches are locked with both Steering Levers pulled tight to handles.
3. Reinstall all parts in proper order.

WHEEL BRAKE ADJUSTMENT FIG 11

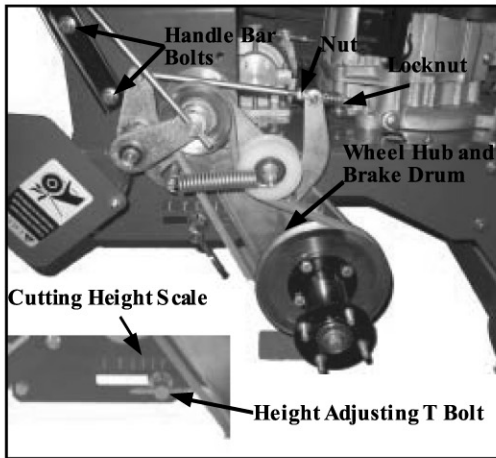


FIG 11 Brake Linkage

1. This adjustment is made after properly adjusting the Wheel Drive Controls, work from RH side of Mower.
2. To adjust Compression Springs tension, tighten or loosen Nuts and Locknuts.
3. Keep Brakes adjusted and balanced between right and left Rear Wheels to prevent Mower from dragging or pulling to one side.

BLADE DRIVE LEVER ADJUSTMENT FIG 12

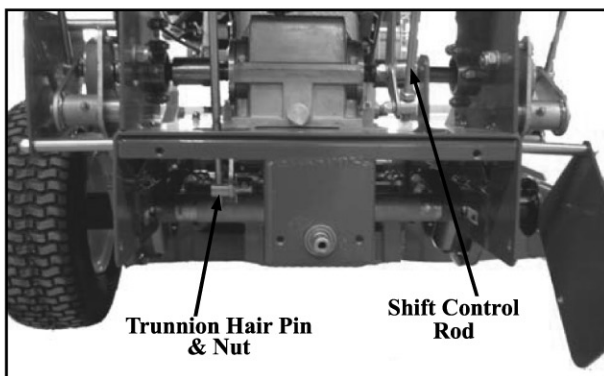


FIG 12 Blade Drive Lever Adjustment
(rear shield removed to show linkage)

1. Stop Engine, wait for all parts to stop moving.
2. Slowly and firmly push the Blade Drive Lever forward to engaged position. Release your hand from the Blade Drive Lever, it should stay engaged.
3. If the Blade Drive Lever will not stay engaged, then an adjustment must be made.

4. Remove the Hair Pin, and screw trunnion in or out to adjust the length of the Blade Control Rod and reinstall. Retest per paragraph 2 above. Repeat if necessary.
5. When properly adjusted, the Blade Drive Lever will stay engaged when pushed forward to engaged position.

SHIFT CONTROL ROD ADJUSTMENT FIG 10,11 & 12

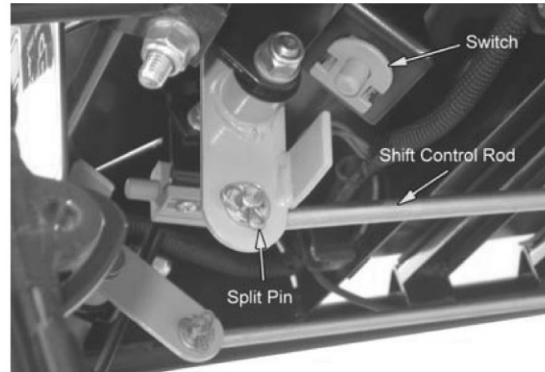


FIG 13 Shift Control Rod Adjustment

1. Shift the Transmission into neutral and check the Switch for compression travel. Adjust as needed.
2. Remove Split Pin and Shift Control rod from the Shift Lever, lengthen or shorten the Rod one turn and reinstall. Repeat if necessary.
3. When properly adjusted the compression travel must be more than 5mm.

CUTTING HEIGHT ADJUSTMENT

The cutting height can be adjusted from 1-1/2" to 4" in 1/2" increments by changing the height of the Mower Deck. One must adjust both the Caster Wheels and then the Rear Wheel Height Crank.

Always maintain a 1/8-3/16" (blade cutting height pitch) lower at the front Center Blade than at the back of either outside Blade.

⚠ Be sure ENGINE IS OFF and all Controls disengaged or released.

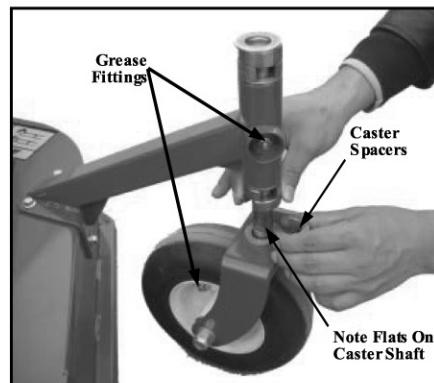


FIG 14 Repositioning Caster Spacers

1. Raise and block front of Mower Deck, remove linchpin and Flat Washer, FIG 14. To raise height of cut, lower Caster Wheel Yoke 3-4", lift off Spacer from top and place on the underside of the Caster Wheel Bracket.
2. Rotate the Spacer to align with flat in the Yoke Shaft and slide the Spacer onto the shaft.
3. No Spacer at the bottom reflects a cutting height of 1-1/2". Each spacer added to or removed from the bottom will adjust the cutting height 1/2". Reinstall Flat Washer and inchpin, remove blocking.
4. Make sure the number of Spacers are positioned the same on both Caster Shafts.

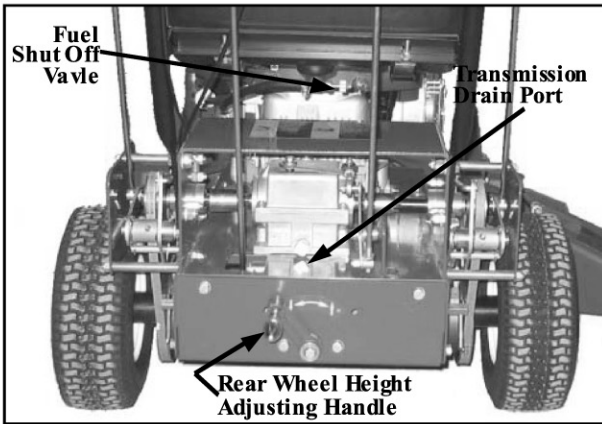


FIG 15 Rear Wheel Height Adjustment

5. To adjust the Rear Wheel settings refer to FIG 11. Loosen both height adjusting T-Bolts. Unlock the Rear Wheel Height Adjusting Handle FIG 15. Rotate the Handle clockwise to raise and counterclockwise to lower the Rear Wheels. Align the pointer on the register mark which corresponds with the number of Caster Spacers on the bottom of the Caster Wheel Bracket.
6. Reinstall all parts in proper order.

CUTTING HEIGHT ADJUSTMENT CHART

Cutting Height # Spacer below Cutting Height

desired	Caster pivot	Scale
1-1/2"	0	Front mark
2"	1	2 nd mark
2-1/2"	2	3 rd mark
3"	3	4 th mark
3-1/2"	4	5 th mark
4"	5	6 th mark

TRANSMISSION ADJUSTMENT

Remove Bolt M6x12 & Screw M6x10 from the connectors which linking with transmission output shaft and drive shafts, then remove bolt (part NO.3300106) which connected with transmission and engine frame assembly. Replace the new transmission, Tighten all parts in proper order. See FIG 16

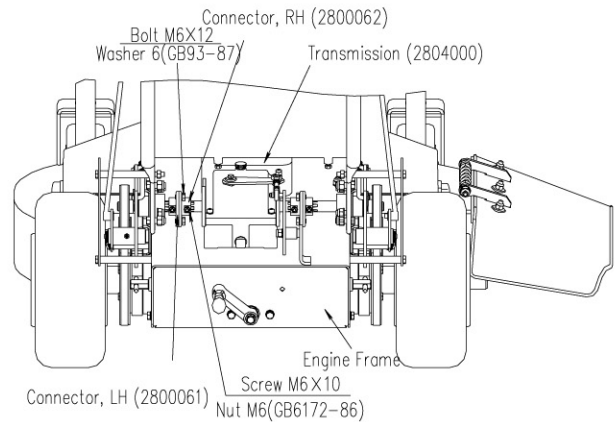


FIG 16



Service Battery

SERVICE BATTERY

⚠ WARNING

Battery posts, terminals, and related accessories contain lead compounds, chemicals known to cause cancer and reproductive harm.

The machine is shipped with a filled lead acid battery without protection.

Unhook seat latch and tilt seat to gain access to the battery.

⚠ DANGER

POTENTIAL HAZARD

·Charging the battery may produce explosive gasses.

WHAT CAN HAPPEN

·Battery gasses can explode causing serious injury.

HOW TO AVOID THE HAZARD

·Keep sparks, flames, or cigarettes away from battery.

Ventilate when charging or using battery in an enclosed space.

Check the voltage of the battery with a digital voltmeter, Locate the voltage of the battery in the table below and charge the battery for the recommended time interval to bring the charge up to a full charge of 12.6Volts or greater.

IMPORTANT: Make sure the negative & positive battery cables are connected rightly, and the battery charger used for charging the battery has an output of 16 volts and 7 amps or less to avoid damaging the battery.

Chart 1

Voltage Reading	Percent Charge	Maximum Charger settings	Charging Interval
12.6 or greater	100%	16Volts/7 amps	No charging Required
12.4-12.6	75%-100%	16Volts/7 amps	30 Minutes
12.2-12.4	50%-75%	16Volts/7 amps	1 Hour
12.0-12.2	25%-50%	14.4Volts/4 amps	2 Hours
11.7-12.0	0-25%	14.4Volts/4 amps	3 Hours
11.7 or less	0%	14.4Volts/4 amps	6 Hours or more

⚠ CAUTION

POTENTIAL HAZARD

·If the ignition is in the “ON” position, there is potential for sparks and engagement of components.

WHAT CAN HAPPEN

·Sparks could cause an explosion or moving parts could accidentally engage causing personal injury.

HOW TO AVOID THE HAZARD

· Be sure ignition switch is in the “OFF” position before charging the battery.

CONNECTING THE NEGATIVE BATTERY CABLES:

Note: If the positive cable is also disconnected, connect the positive (red) cable to the positive battery terminal first, then the negative (black) cable to the negative battery terminal. Slip insulator boot over the positive terminal.

Note: If time does not permit charging the battery, or if charging equipment is not available, connect the negative battery cables and run the vehicle continuously for 20 to 30 minutes to sufficiently charge the battery.

⚠ CAUTION

- Battery contains sulfuric acid, avoid contact and always shield eyes, face, skin and clothing from battery ,cigarettes, flames or sparks could cause battery to explode
- Do not charge or use booster cables or adjust post connection without proper training;
- If battery acid comes in contact with skin or eyes then flush with water and call a physician immediately.
- Keep out of reach of children.

CHECK BATTERY CHARGE

Service Interval: Monthly

Allowing batteries to stand for an extended period without recharging them will result in reduced performance and service life. To preserve optimum battery performance and life, recharge them in storage when the open circuit voltage drops to 12 Volts.

Note: To prevent damage due to freezing, battery should be



Service Battery

fully charged before putting away for winter storage.

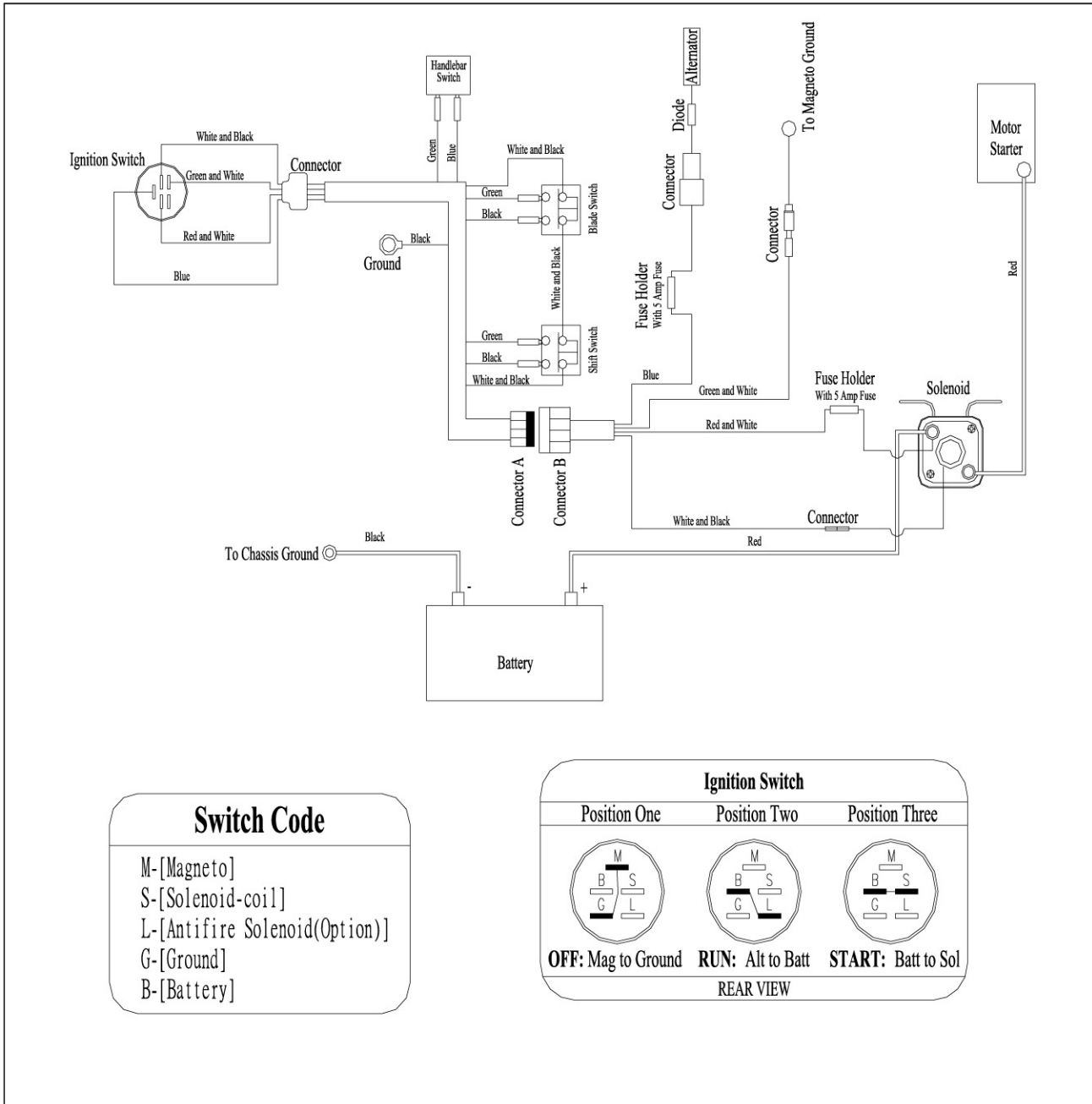
a) Check the voltage of the battery with a digital voltmeter.

Locate the voltage reading of the battery in the table(See chart 1) and charge the batter for the recommended time interval to bring the charge up to a full charge of 12.6 Volts

or greater.

IMPORTANT: Make sure the negative & positive battery cables are connected rightly, and the battery charger used for charging the battery has an output of 16 volts and 7 amps or less to avoid damaging the battery.

WIRING HARNESS DIAGRAM



ACCESSORY



Nylon Grass Catcher

Nylon Grass Catcher: Model # WY33N-NGC (2.07 Bushel)



LIMITED WARRANTY WORLDLAWN POWER EQUIPMENT INC. 33" MOWER

Worldlawn Power Equipment, Inc. ("Worldlawn") warrants that the worldlawn 33" Mower ("Mower") will be free from defects in material and workmanship for a period of one year commercial from the original date of purchase. During the warranty period, Worldlawn will repair or replace, at its option, any Mower or part thereof which is found to be defective in material or workmanship. This warranty specifically excludes wear items, including but not limited to, belts, blades, and tires. This warranty also specifically excludes parts covered by another manufacturer's warranty, which parts are covered only by that manufacturer's warranty.

This limited warranty extends only to the original retail purchaser ("Owner") of a Mower. It is not transferable. This warranty extends only to those Mowers purchased for private residential and commercial use. A Mower purchased for any other reason, for example as a rental unit, shall have a ninety (90) day warranty under the same terms and conditions as set forth herein.

Proof of purchase will be required to substantiate all warranty claims. All warranty work must be performed by an authorized Worldlawn Dealer. Any work done on or to the Mower by anyone other than an authorized Worldlawn Dealer, including the original purchaser, voids all provisions of this warranty except those provisions which limit Worldlawn's liability (as set forth below).

Any Mower or part thereof which, at worldlawn's sole discretion, is deemed defective shall be repaired or replaced, at worldlawn's option, without charge for parts or labor. To take advantage of this warranty, the Mower must be returned to an authorized worldlawn Dealer within the warranty period. The cost of delivering the Mower to the authorized Dealer and return delivery shall be the responsibility of the Owner.

Worldlawn's sole responsibility with any claim made under this warranty is limited only to repairing or replacing the mower or a defective part thereof, and no claim of breach of warranty shall be cause for rescission, cancellation, or voiding the contract of sale of the Mower.

This warranty does not extend to any Mower or part thereof which has been misused, neglected, damaged, abused, not properly installed or maintained, altered or which has been operated in any way contrary to the operating instructions as specified in the Owner/Operator Manual. This warranty does not extend to any repair or replacement made necessary by normal use. This warranty does not extend to the engine which is warranted separately by the engine manufacturer.

THE WARRANTY EXPRESSED HEREIN IS IN LIEU OF OTHER WARRANTIES, EXPRESSED OR IMPLIED, INCLUDING, WITHOUT LIMITATION, ANY IMPLIED WARRANTY OR MERCHANTABILITY OR FITNESS FOR A PARTICULAR USE AND IS IN LIEU OF ANY AND ALL OTHER OBLIGATIONS OR LIABILITY ON WORLDLAWN'S PART.

UNDER ANY AND ALL CIRCUMSTANCES, WORLDLAWN'S TOTAL LIABILITY TO OWNER FOR ANY AND ALL CLAIMS, LOSSES OR DAMAGES, INCLUDING LOSS OF PROFITS, ARISING OUT OF ANY CAUSE WHATSOEVER, WHETHER BASED IN CONTRACT, NEGLIGENCE OR OTHER TORT, STRICT LIABILITY, BREACH OF WARRANTY OR OTHERWISE, SHALL IN NO EVENT EXCEED THE PURCHASE PRICE OF THE MOWER. IN NO EVENT SHALL WORLDLAWN BE RESPONSIBLE FOR SPECIAL, INCIDENTAL, CONSEQUENTIAL OR EXEMPLARY DAMAGES.



WORLDLAWN®

Worldlawn Power Equipment, Inc.

422 Turnbull Canyon Road City of Industry CA 91744

Phone:(626) 934-8552

Fax: (626) 934-8162

E-mail: worldlawnmower@adelphia.net

Free Manuals Download Website

<http://myh66.com>

<http://usermanuals.us>

<http://www.somanuals.com>

<http://www.4manuals.cc>

<http://www.manual-lib.com>

<http://www.404manual.com>

<http://www.luxmanual.com>

<http://aubethermostatmanual.com>

Golf course search by state

<http://golfingnear.com>

Email search by domain

<http://emailbydomain.com>

Auto manuals search

<http://auto.somanuals.com>

TV manuals search

<http://tv.somanuals.com>