

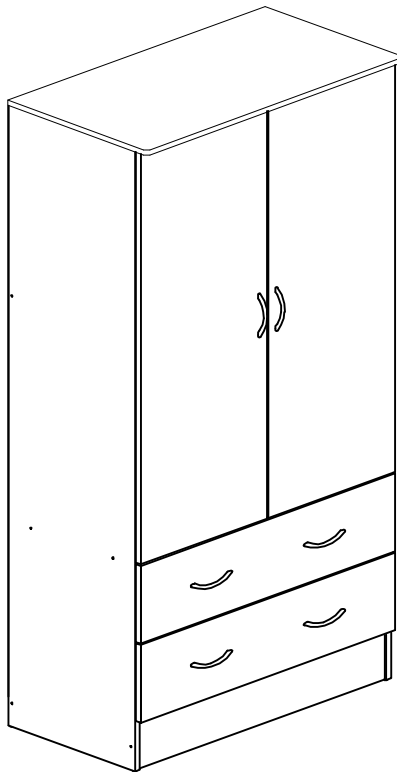


Hodedah

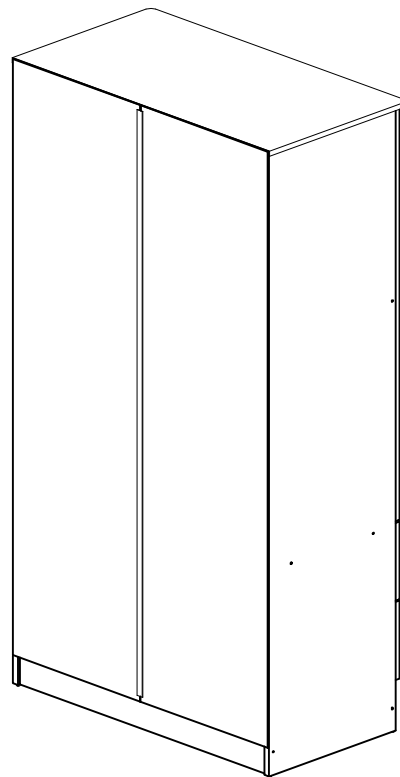
www.hodedah.com
support@hodedah.com

ASSEMBLY INSTRUCTIONS HI 29 (2 DOOR WARDROBE)

~ Before assembly, please read the instructions ~ ~ Follow these steps to assemble the 2 Door Wardrobe ~
~ Keep these instructions for future reference ~



FRONT VIEW



BACK VIEW



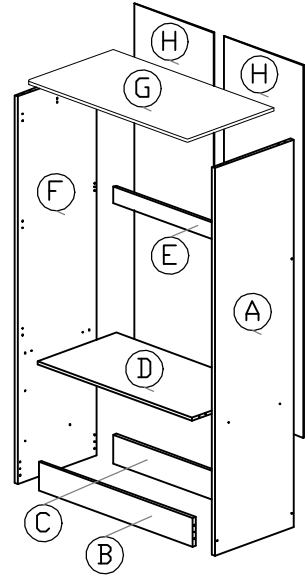
THIS INSTRUCTION BOOKLET CONTAINS IMPORTANT INFORMATION ABOUT ASSEMBLY AND SAFETY. PLEASE READ AND KEEP FOR FUTURE REFERENCE.

Parts

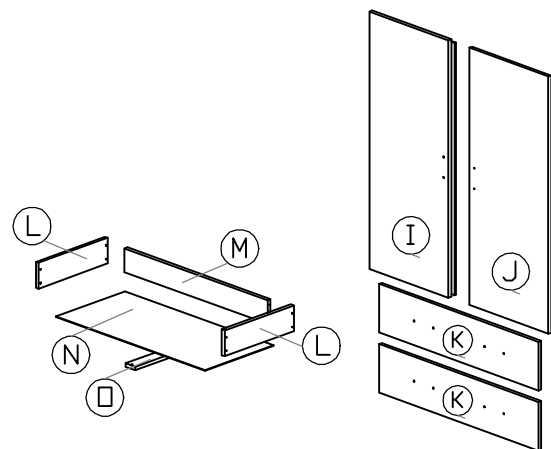


The parts of the product are packed in one box.
There are inner box(es) or package(s) that included components and accessories required to complete the assembly

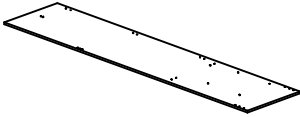
I) Main Unit :



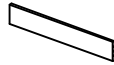
II) Door & Drawer :



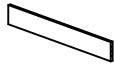
A) Right Side Panel
1 Pc.
1816 x 394 x 15mm



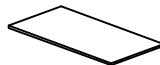
B) Kick Panels
1 Pc.
768 x 135 x 15mm



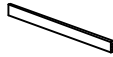
C) Kick Panels
1 Pc.
768 x 135 x 15mm



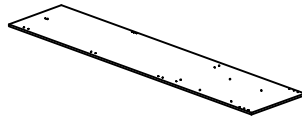
D) Partition Panel
1 Pc.
768 x 394 x 15mm



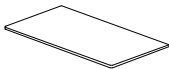
E) Back Strengthening Panel
1 Pc.
768 x 76 x 15mm



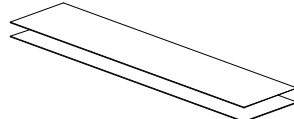
F) Left Side Panel
1 Pc.
1816 x 394 x 15mm



G) Top Panel
1 Pc.
802 x 432 x 15mm



H) Back Panels
2 Pcs.
1746 x 397 x 3mm



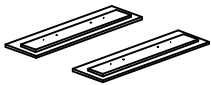
I) Left Door
1 Pc.
1206 x 394 x 15mm



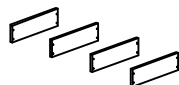
J) Right Door
1 Pc.
1206 x 394 x 15mm



K) Drawer Front Panel
2 Pcs.
792 x 228 x 15mm



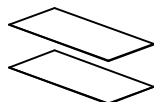
L) Drawer Side Panels
4 Pcs.
343 x 120.5 x 15mm



M) Drawer End Panels
1 Pc.
713 x 111 x 15mm




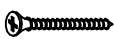


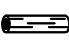










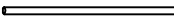
N) Drawer Base Panels
2 Pcs.
741 x 343 x 3mm



O) Drawer Base Supporting Panels
2 Pcs.
343 x 50 x 15mm



Hardware And Accessories

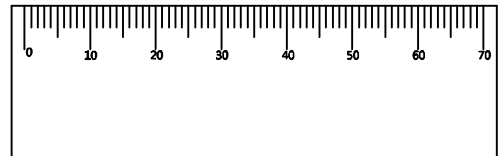
<p>1 Screw M6 x 40mm 14 Pcs.</p>  <p>Pvc Cap 14 Pcs.</p>	<p>2 Screw M4 x 32mm 20 Pcs.</p> 	<p>3 Screw M3.5 x 14mm 46 Pcs.</p>  <p>* For #10 Drawer Slides</p>	<p>4 Handle 6 Pcs.</p>  <p>SCREW M4 X 20mm 12Pcs.</p>	<p>5 Pvc Dowel 20 Pcs.</p> 	<p>6 Protection Nail 4 Pcs.</p> 
<p>7 Nail 60 Pcs.</p> 	<p>8 HINGES 5/8 6 Sets.</p> 	<p>9 V-BRACKET 2 Pcs.</p> 	<p>10 Allen Key 1 Pc.</p> 	<p>11 SCREW M 10 X 1/2 MM 12 Pcs.</p> 	<p>12 Screw M6.2 x 10mm 8 Pcs.</p>  <p>* For # 13 Drawer Slides</p>
<p>13 Drawer Slide - A 2 Pcs.</p>  <p>* Fix On Side Panels</p>	<p>14 Drawer Slide - B 2 Pcs.</p>  <p>* Fix On Drawer Side Panels</p>	<p>15 H-PROFILE 1 Pc.</p> 	<p>16 IRON TUBE 1 Pc.</p> 		







IMPORTANT

Check the measure of the bolts on the scale below or with a measuring tape before applying them in the parts

Observe correctly the application and the position of each bolt accessory, as the step-by-step instructions, before applying them in the parts.



Required Or Recommended Tools

<p>Sample Screwdriver</p> 	<p>Sample Hammer</p> 	<p>Sample Measuring Tape</p> 	<p>Sample Electric Screwdriver</p> 
---	--	--	--



IMPORTANT!

The required or recommended tools for assembly are not supplied with the product.



Hodedah

www.hodedah.com
support@hodedah.com

- This product contains small components, please ensure that they are kept away from small children.
- THIS INSTRUCTION BOOKLET CONTAINS **IMPORTANT** SAFETY INFORMATION.PLEASE READ AND KEEP FOR FUTURE REFERENCE.



DO NOT RETURN PRODUCT TO THE STORE.

If a part is missing or damaged, email our customer service. We will gladly ship your replacement parts **FREE** of charge.

Need Parts or Assistance?

email us at

support@hodedah.com

For prompt, reliable service; please have your assembly manual ready.



Hodedah

www.hodedah.com
support@hodedah.com

Thank you for purchasing from Hodedah

**To learn more about hodedah and our products visit
www.hodedah.com**

READ BEFORE BEGINNING ASSEMBLY

- Read each step carefully. It is very important that each step of instruction is performed in the correct order. If these steps are not followed in sequence, assembly difficulties will occur.
- Make sure all parts are included. Most parts are labelled or stamped on the raw edge.
- Work in spacious area, preferably on a carpet, near the place the unit will be used.
- Do not use power tools to assemble your furniture. Power tools may strip or damage the parts.

HELPFUL HINTS

- Call us if you need assistance.
- Move your new furniture carefully, with two people lift and carry the unit to it's new location.
- Never push, drag or pull your furniture (especially on carpet).

Warranty Information

Hodedah warrants this product to be free from defects in material and workmanship agrees to remedy any such defect. This warranty covers one year from the date of original purchase. This is solely limited to be repair or replacement of defective parts and no assembly labor is included.

This warranty does not apply to any product which has been improperly assembled, subjected to misuse or abuse or which has been altered or repaired in any way.

To obtain warranty service, purchaser must present original bill of sale. Components repaired or replaced warranted through the remainder of the original warranty period only. The defective components will be repaired or replaced without charge, subject to the terms and conditions described above.

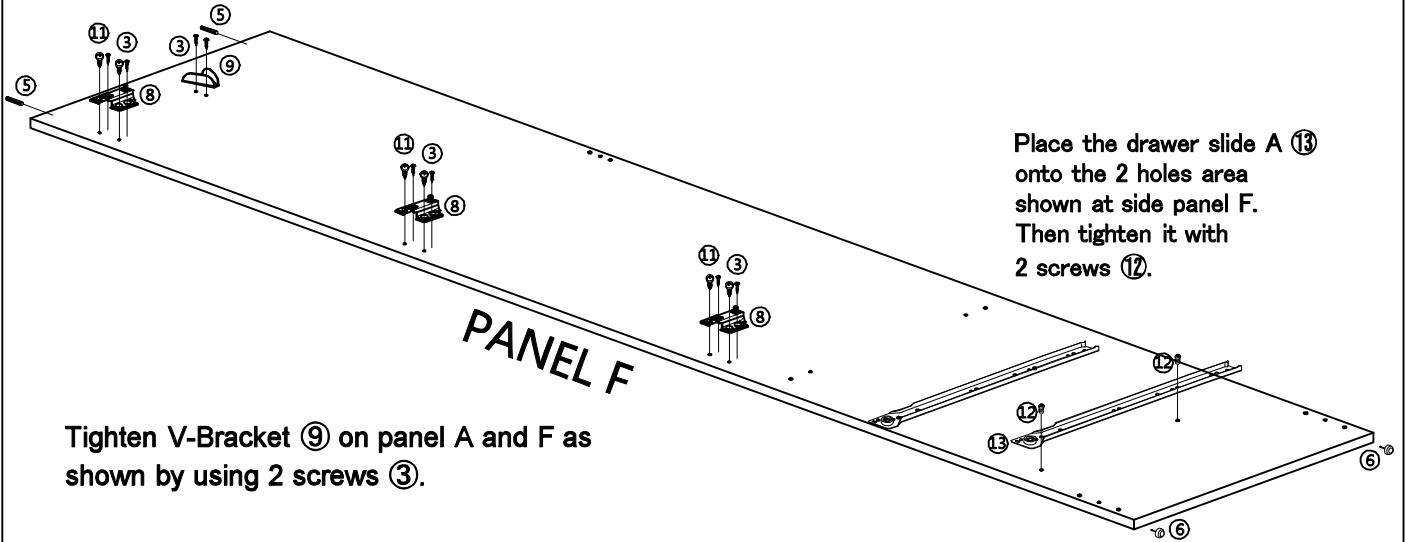
For help with assembly, identifying parts, product information or to order parts, please contact us:

Call us at:
718-456-0505
Monday-Friday
9:00am-5:00pm

Visit our website:
www.hodedah.com

Pre - Assembly

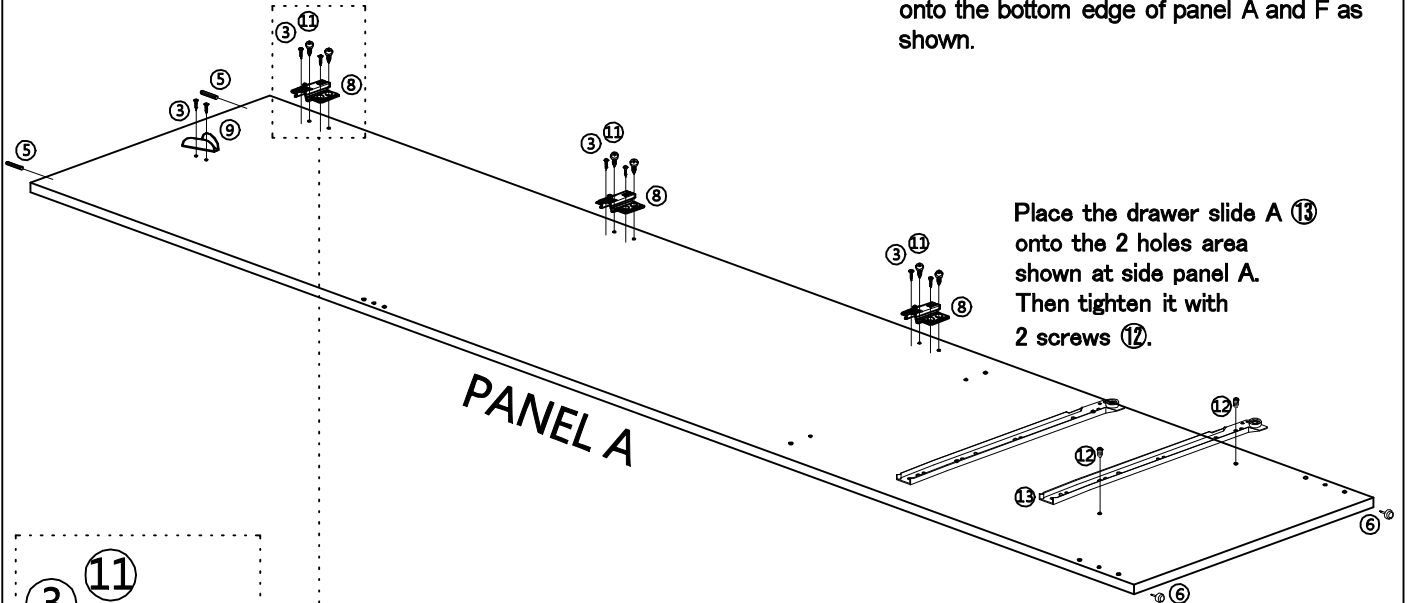
Insert PVC dowels ⑤ on top edge of panel A and F's non-thru holes, using hammer to gently tap them in.



Place the drawer slide A ⑬ onto the 2 holes area shown at side panel F. Then tighten it with 2 screws ⑫.

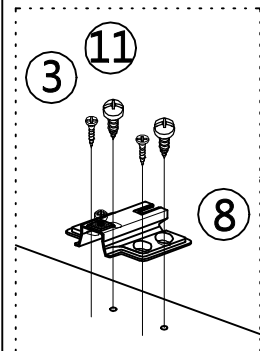
Tighten V-Bracket ⑨ on panel A and F as shown by using 2 screws ③.

Nail Protection Nail ⑥, provided with hammer onto the bottom edge of panel A and F as shown.



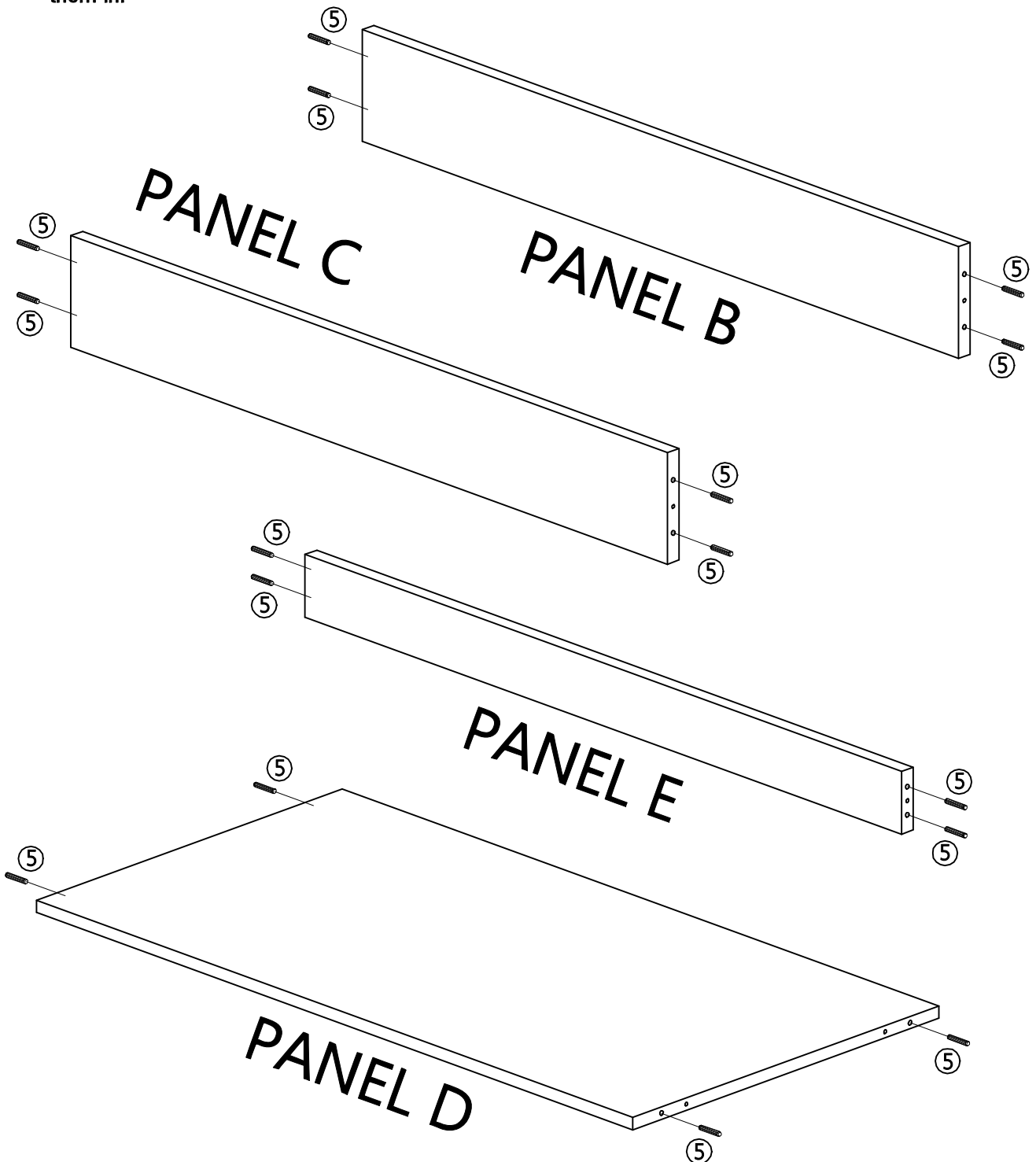
Place the drawer slide A ⑬ onto the 2 holes area shown at side panel A. Then tighten it with 2 screws ⑫.

Place hinge ⑧ at the panel A and F as shown. Then tighten the hinge ⑧ with 2 screws ③ and 2 screws ⑪.



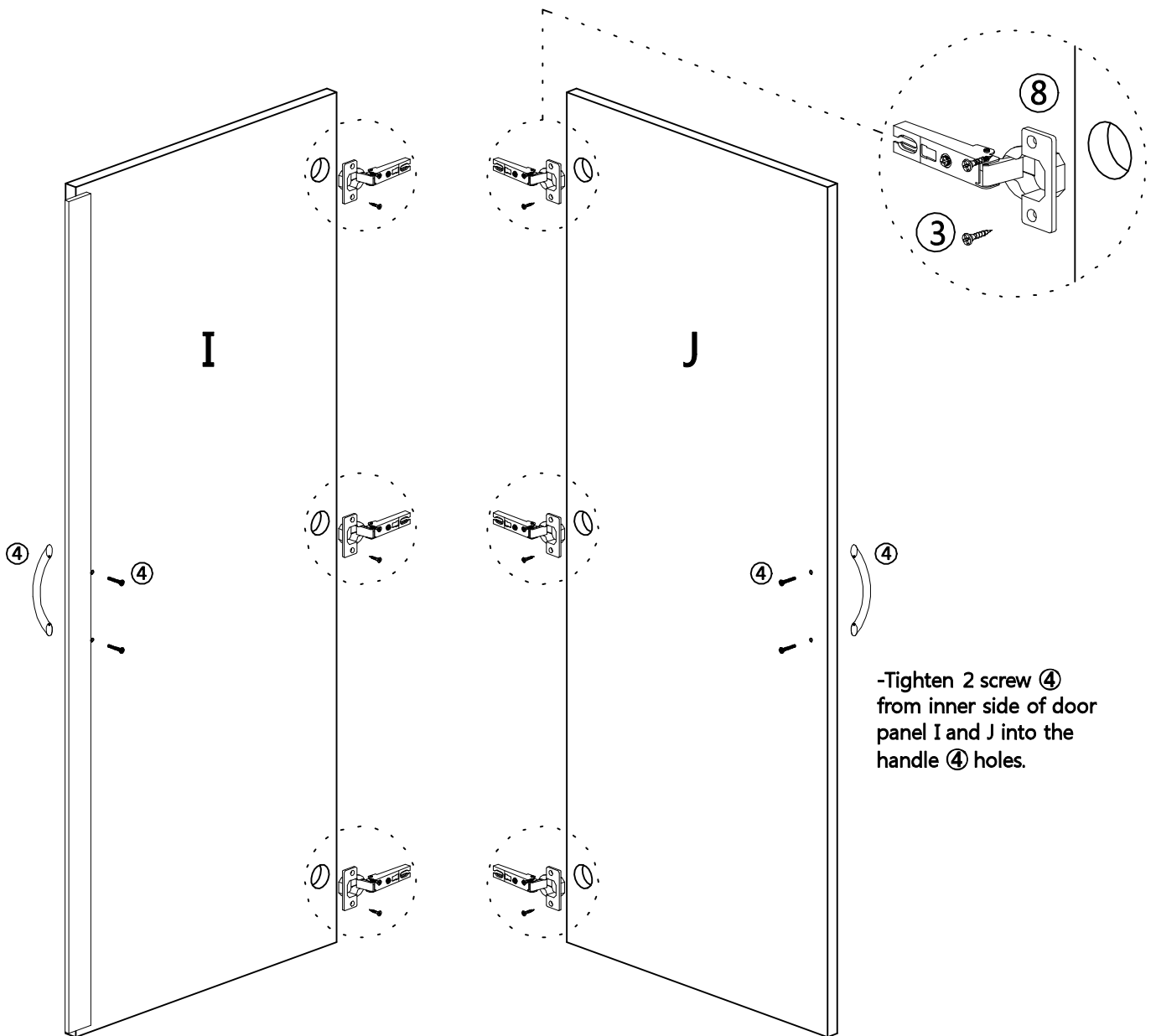
Pre - Assembly

Insert PVC dowels ⑤ to panel B, C, D and E 's non-thru holes as shown, using hammer to gently tap them in.



Door Panel Assembly Instruction Step 1

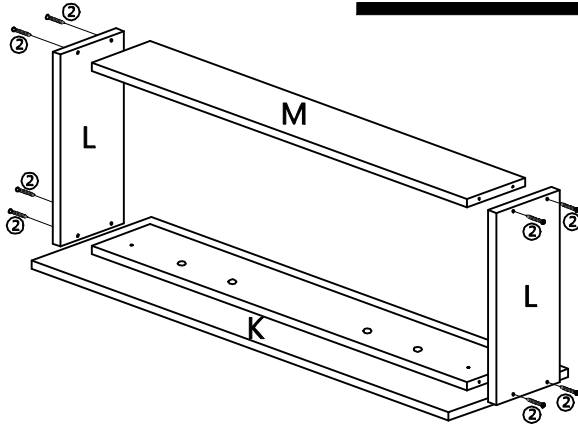
* Insert 6 Hinges ⑧ into door panel I and J's non-thru hole as shown, then tighten screws ③ through hinges ⑧'s thru hole.



(1)

Assembly Of Drawers

DRAWER M



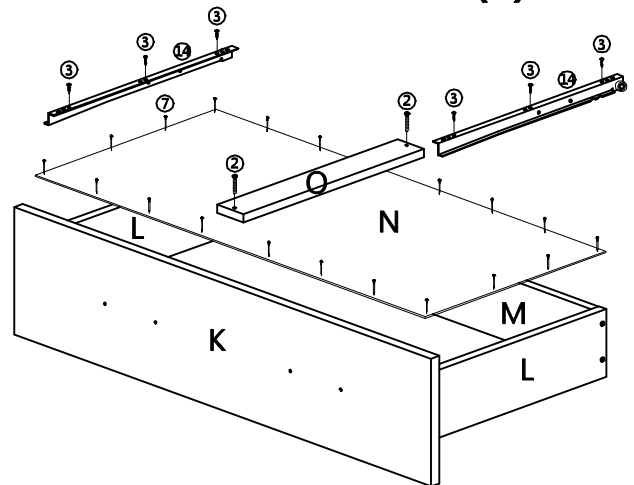
- Place panel L on each side of panel M as shown.
- Then, tighten screw ② to panel L's lower thru holes to fix them onto panel M.
- Next tighten screw ② to panel L's upper thru holes to fix up to the panel M.

-Flip drawer with bottom side up, place panel N onto the drawer and align properly. Then nail the nails provided with hammer on the border of panel N as shown. The gap between 2 nails should be about 100mm.

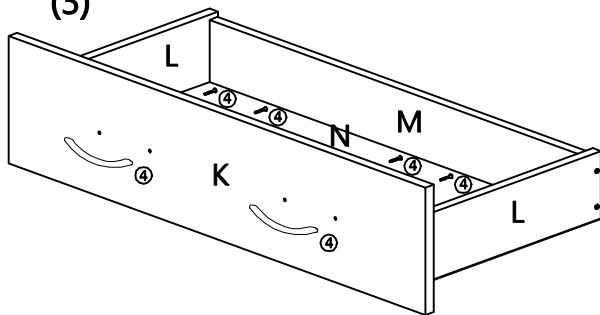
-After that, place a drawer slide B ⑭ with the small white roller facing outward and with other end tip touching panel M onto each bottom side (angle) edge of panel L. Then tighten 3 screws ③ on each drawer slide B ⑭ (as shown).

-Put drawer supporting O onto middle of panel N, then tighten screw ② to drawer supporting O's thru hole to fix it onto panel N / panel K (inner panel) / panel M.

(2)

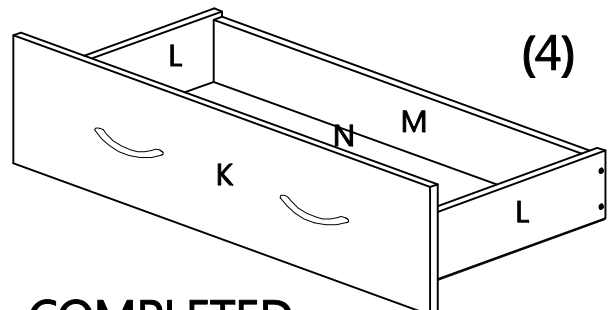


(3)



- Flip the drawer over.
- Tighten 2 screw ④ from inner side of panel K into the handle ④ holes.

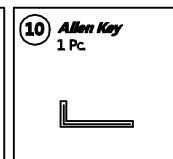
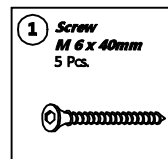
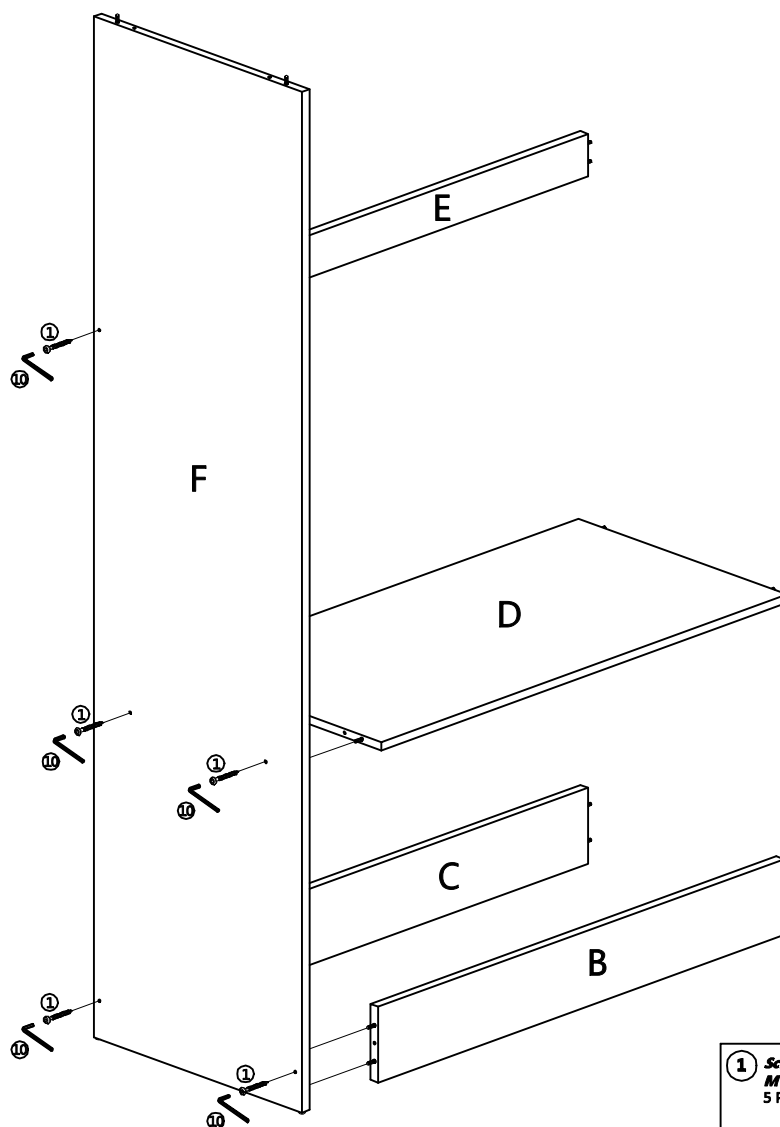
(4)



COMPLETED

Assembly Instruction Step 1

- * Place and fix Panel B,C,D,E onto Panel F by inserting the (Left) dowels onto the non-thru holes at Panel F.
- * Using allen key ⑩ to tighten screw ① from the 5 thru holes of panel A , one by one.



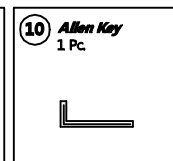
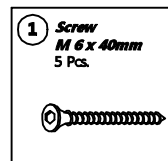
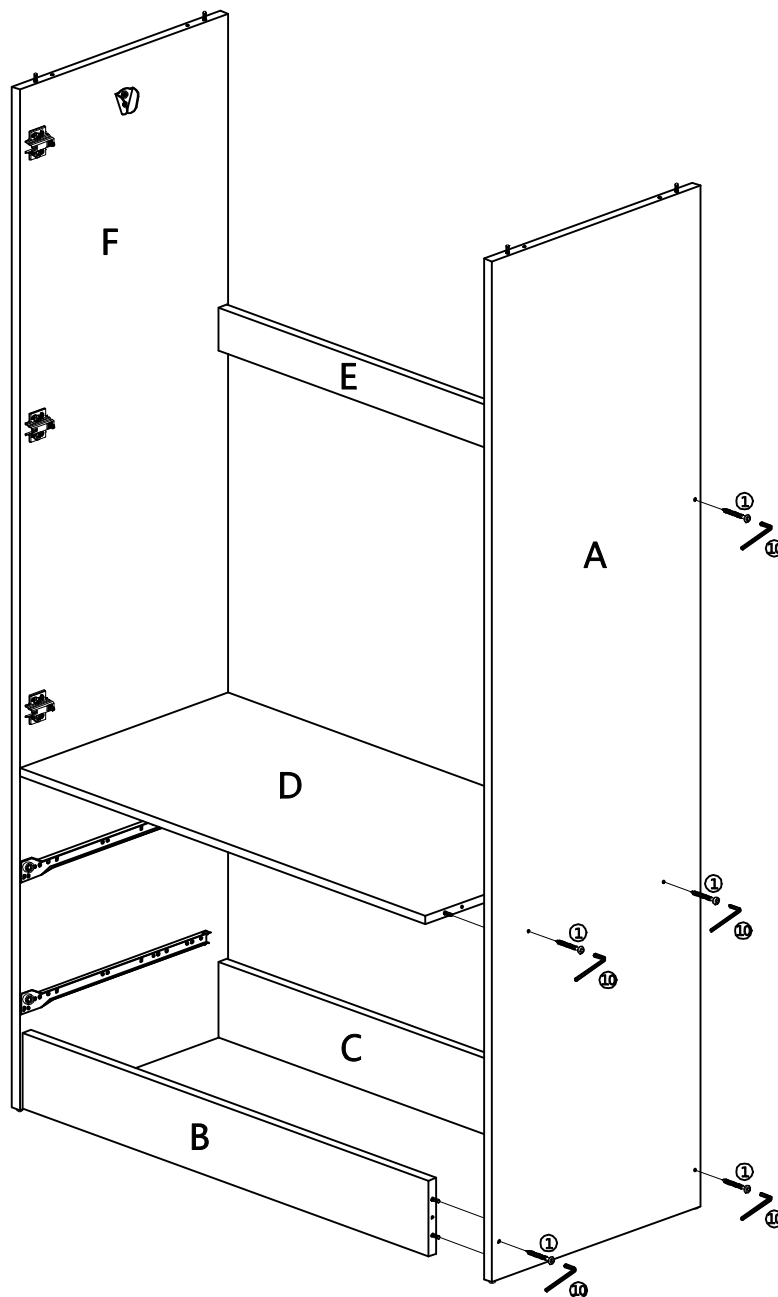
CAUTIONS

: When inserting the PVC Dowels to non-thru holes, don't push to hard. Otherwise, the side panels (A & F) may be damaged.

Assembly Instruction Step 2

Fix Panel A onto Panels B, C, D and E by inserting the panel B, C, D and E's dowels onto non-thru holes at Panel A.

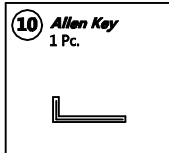
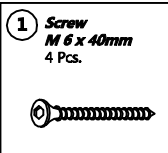
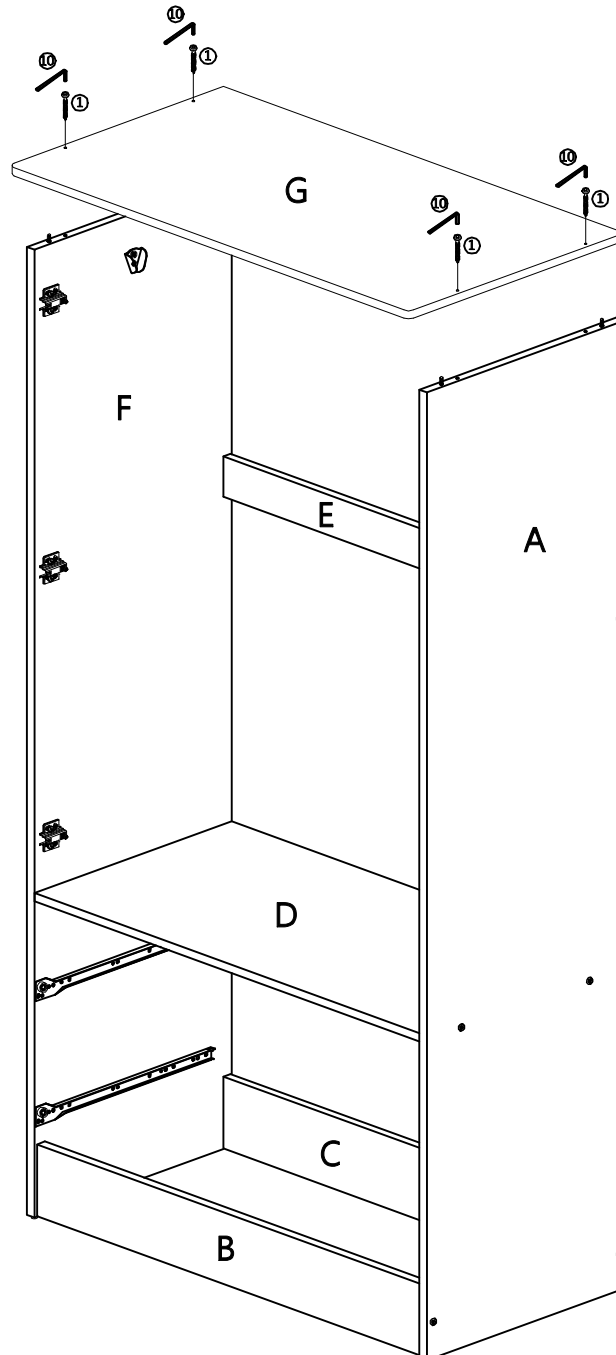
Use allen key ⑩ to tighten 5 screws ① from the thru-holes of panel A.



CAUTIONS : When inserting the PVC Dowels to non-thru holes, don't push to hard. Otherwise, the side panels (A & F) may be damaged.

Assembly Instruction Step 3

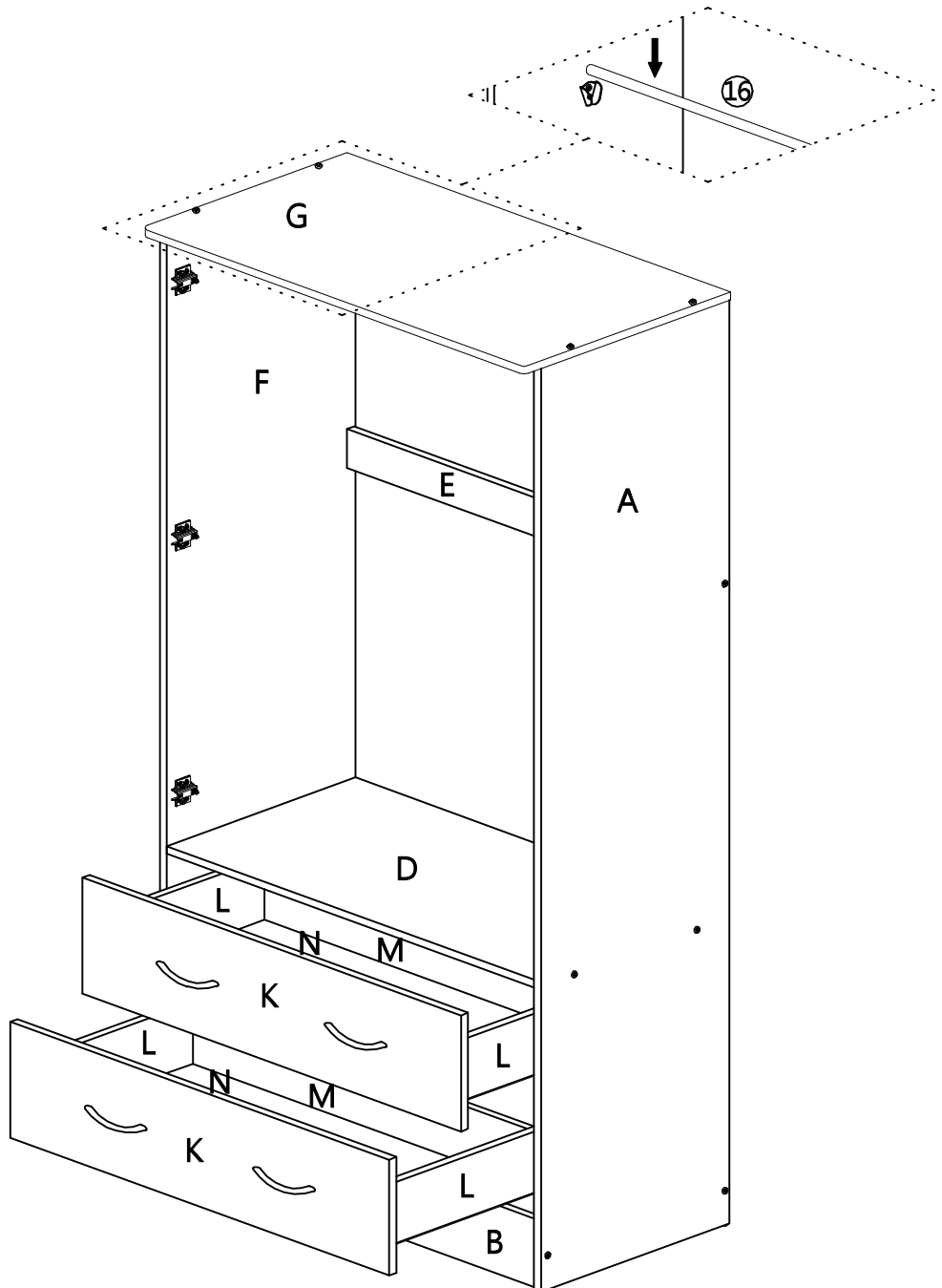
- Fix panel G onto panel A and F and align properly by inserting the 4 dowels of panel A and F onto the non thru holes of panel G.
- Pushing and light tapping of panel G to have panel G, panel A, panel F fix tightly.
- Use allen key ⑩ to tighten screws ① from the thru-holes of panel G.



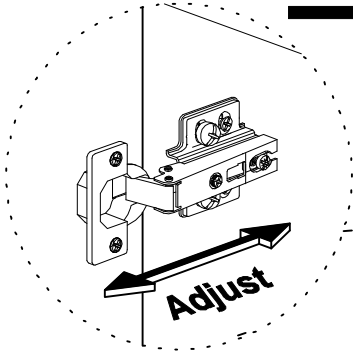
Assembly Instruction Step 4

-Place iron tube onto both panel A and F's V-bracket.

Take drawers K, and slide them (the white rollers at drawer slide at both side of drawers are to go into the track of the slides at each side panel.) all the way gently, one drawer by one drawer starting from bottom one.

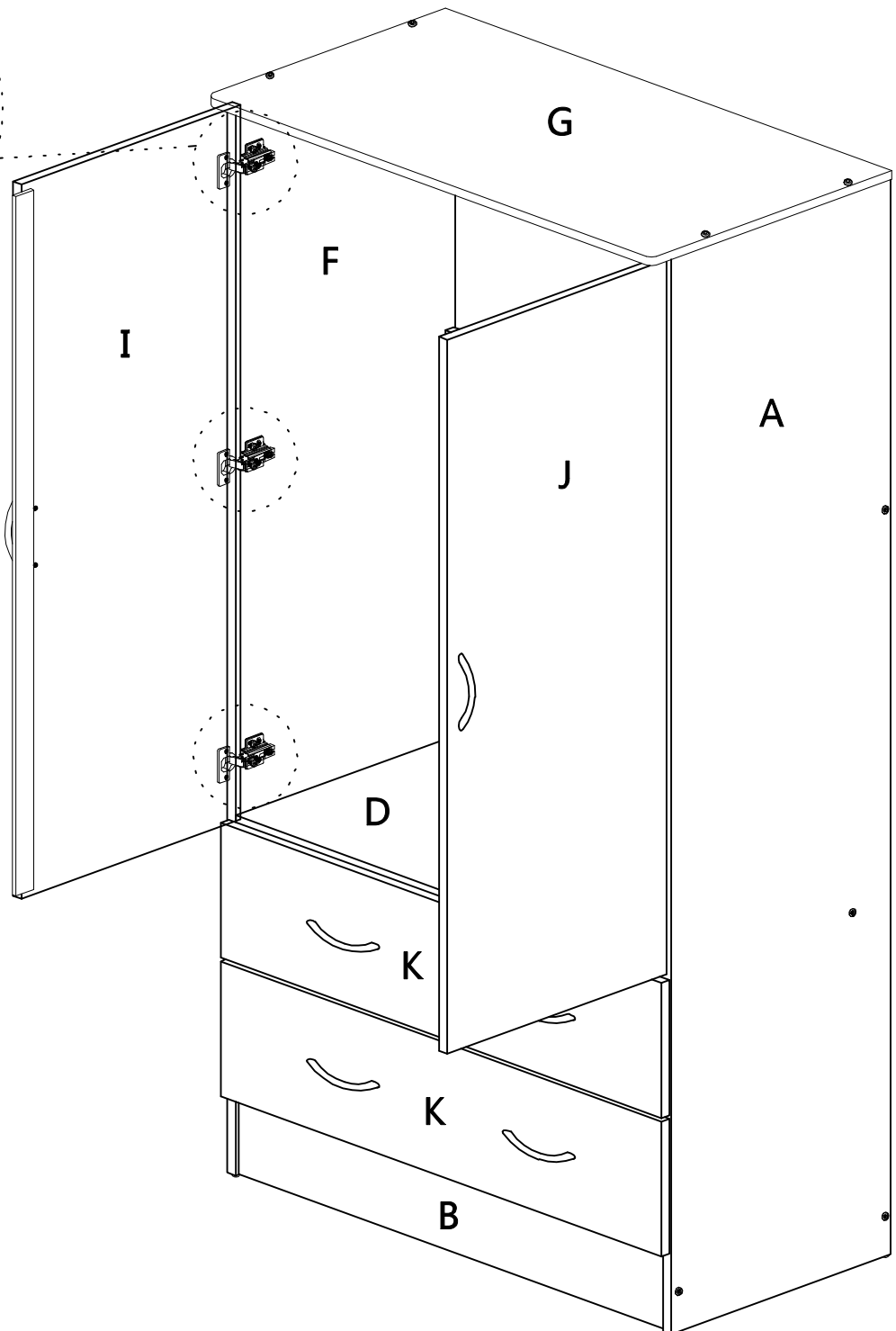


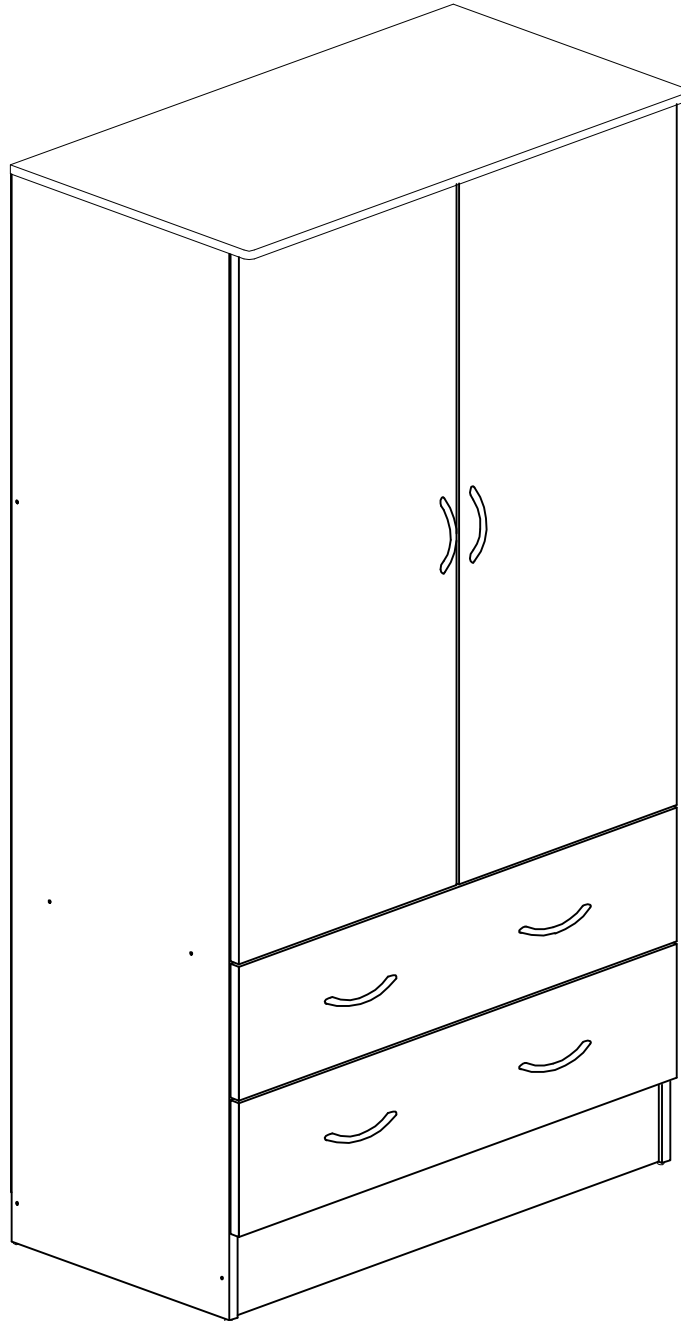
Assembly Instruction Step 5



Join the panel I and J's hinges with panel F and A's hinges as shown.

You can align the door panel I and J by tightening and loosening the screws as shown.





Completion

In the interest of our environment please dispose of all packaging thoughtfully.

Free Manuals Download Website

<http://myh66.com>

<http://usermanuals.us>

<http://www.somanuals.com>

<http://www.4manuals.cc>

<http://www.manual-lib.com>

<http://www.404manual.com>

<http://www.luxmanual.com>

<http://aubethermostatmanual.com>

Golf course search by state

<http://golfingnear.com>

Email search by domain

<http://emailbydomain.com>

Auto manuals search

<http://auto.somanuals.com>

TV manuals search

<http://tv.somanuals.com>