



GreatNeck®

80151

**10 IN. ORBITAL POLISHER
WITH 2 BONNETS**

Owner's Manual



ONE YEAR LIMITED WARRANTY

If within one year from date of purchase, this product fails due to a defect in materials or workmanship, return the product with proof of purchase, postage prepaid to Great Neck Warranty Dept., 3580 E. Raines Rd. #3, Memphis, TN 38118, for replacement with an item of equal or greater value. This warranty excludes incidental/consequential damages and failures due to misuse, abuse or abnormal wear and tear.

This warranty gives you specific rights, and you may also have other rights, which vary from state to state.

For customer service call (800) - 585- 9691



GreatNeck®

**80151
10 IN. ORBITAL POLISHER
WITH 2 BONNETS**

Owner's Manual

Operating/Safety Instructions

IMPORTANT: Before using your polisher, please read all operating instructions carefully, paying particular attention to safety information.

For future reference, store your instruction manual with your polisher.

APPLICATION: This polisher can be used to polish most high-gloss surface. The application bonnet and buffing bonnet are manufactured to apply and remove polishes and waxes evenly. Some of the most common applications include:

- Cars
- Boats
- Personal Aircraft
- Motorcycles
- Hardwood floors
- Furnitures

WARNING: Do not use polisher attachments for work other than that for which they are designed. All other applications are expressly ruled out.

Specifications

Voltage	120V /60Hz
No Load Speed	3000 RPM
Power rating	1Amp.
Disc Size	10"



GreatNeck®

80151

**10 IN. ORBITAL POLISHER
WITH 2 BONNETS**

WORK AREA

- _ Keep your work area clean and well lit. Cluttered benches and dark areas invite accidents.
- _ Do not operate power tools in explosive atmospheres, such as in the presence of flammable liquids, gases, or dust. Power tools create sparks which may ignite the dust or fumes.
- _ Keep bystanders, children, and visitors away while operating a power tool. Distractions can cause you to lose control.

ELECTRICAL SAFETY

- _ Double Insulated tools are equipped with a polarized plug (one blade is wider than the other.) This plug will fit in a polarized outlet only one way. If the plug does not fit fully in the outlet, reverse the plug. If it still does not fit, contact a qualified electrician to install a polarized outlet. Do not change the plug in any way. Double Insulation eliminates the need for the three wire grounded power cord and grounded power supply system.
- _ Avoid body contact with grounded surfaces such as pipes, radiators, ranges and refrigerators. There is an increased risk of electric shock if your body is grounded.
- _ Don't expose power tools to rain or wet conditions. Water entering a power tool will increase the risk of electric shock.
- _ Do not abuse the cord. Never use the cord to carry the tools or pull the plug from an outlet. Keep cord away from heat, oil, sharp edges or moving parts. Replace damaged cords immediately. Damaged cords increase the risk of electric shock.
- _ When operating a power tool outside, use an outdoor extension cord marked "W-A" or "W". These cords are rated for outdoor use and reduce the risk of electric shock.

PERSONAL SAFETY

- _ Stay alert, watch what you are doing and use common sense when operating a power tool. Do not use tool while tired or under the influence of drugs, alcohol, or medication. A moment of inattention while operating power tools may result in serious personal injury.
- _ Dress properly. Do not wear loose clothing or jewelry. Contain long hair. Keep your hair, clothing, and gloves away from moving parts. Loose clothes, jewelry, or long hair can be caught in moving parts.
- _ Avoid accidental starting. Be sure switch is off before plugging in. Carrying tools with your finger on the switch or plugging in tools that have the switch on invites accidents.
- _ Remove adjusting keys or wrenches before turning the tool on. A wrench or a key that is left attached to a rotating part of the tool may result in personal injury.
- _ Do not overreach. Keep proper footing and balance at all times. Proper footing and balance enables better control of the tool in unexpected situations.
- _ Use safety equipment. Always wear eye protection. Dust mask, non-skid safety shoes, hard hat, or hearing protection must be used for appropriate conditions.

TOOL USE AND CARE

- _ Use clamps or other practical way to secure and support the workpiece to a stable platform. Holding the work by hand or against your body is unstable and may lead to loss of control.
- _ Do not force tool. Use the correct tool for your application. The correct tool will do the job better and safer at the rate for which it is designed.
- _ Do not use tool if switch does not turn it on or off. Any tool that cannot be controlled with the switch is dangerous and must be repaired.
- _ Disconnect the plug from the power source before making any adjustments, changing accessories, or storing the tool. Such preventive safety measures reduce the risk of starting the tool accidentally.
- _ Store idle tools out of reach of children and other untrained persons. Tools are dangerous in the hands of untrained users.
- _ Maintain tools with care. Keep cutting tools sharp and clean. Properly maintained tools, with sharp cutting edges are less likely to bind and are easier to control.
- _ Check for misalignment or binding of moving parts, breakage of parts, and any other condition that may affect the tool's operation. If damaged, have the tool serviced before using. Many accidents are caused by poorly maintained tools.

_ Use only accessories that are recommended by the manufacturer for your model. Accessories that may be suitable for one tool, may become hazardous when used on another tool.

SERVICE

_ Tool service must be performed only by qualified repair personnel. Service or maintenance performed by unqualified personnel could result in a risk of injury.

_ When servicing a tool, use only identical replacement parts. Follow instructions in the Maintenance section of this manual. Use of unauthorized parts or failure to follow Maintenance Instructions may create a risk of electric shock or injury.

Additional safety rules for orbital polishers:

WARNING Some dust created by power sanding, sawing, grinding, drilling, and other construction activities contains chemicals known to cause cancer, birth defects or other reproductive harm.

- _ Know your power tool. Read instruction manual carefully.
- _ Always wear safety glasses.
- _ Wear a face or dust mask if the operation is dusty.
- _ Wear hearing protection during extended periods of operation.
- _ When an extension cable is required, you must ensure that it has the right ampere rating for your power tool and is in safe electrical condition.
- _ Do not abuse the cord, never carry the tool by the cord or yank it to disconnect it from the outlet.
- _ Always switch off before you put the orbital polisher down.
- _ Do not let anyone under 18 years operate this tool.
- _ Rags, cloths, cord, string and the like should never be left around the work area.
- _ If you are interrupted when operating the tool, complete the process and switch off before looking up.
- _ Periodically check that all nuts, bolts and other fixings are properly tightened.
- _ Always use both hands to operate the tool

EXTENSION CORDS

- _ Replace damaged cords immediately. Use of damaged cords can shock, burn or electrocute.
- _ If an extension cord is necessary, a cord with adequate size conductors should be used to prevent excessive voltage drop, loss of power or overheating. The table shows the correct size to use, depending on cord length and nameplate amperage rating of tool. If in doubt, use the next heavier gauge. Always use U.L. and CSA listed extension cords.

RECOMMENDED SIZES OF EXTENSION CORDS					
Tool's Ampere rating	Volts	Total length of cord in feetCord size in A.W.G.(minimum)			
		25ft	50ft	100ft	150ft
3-6	120V~	18	16	16	14
6-8	120V~	18	16	14	12
8-10	120V~	18	16	14	12
10-12	120V~	16	16	14	12
12-16	120V~	14	12	-	-

Accessories

The GreatNeck orbital polisher is supplied with the following accessories as standard:

- _ Wool Bonnet
- _ Terrycloth Bonnet
- _ Instruction Manual

Unpacking

Due to modern mass production techniques, it is unlikely that your GreatNeck Power Tool is faulty or that a part is missing. If you find anything wrong, do not operate the tool until the parts have been replaced or the fault has been rectified. Failure to do so could result in serious personal injury.

Assembly

The GreatNeck orbital polisher is packed, fully assembled.

Operation

Switching on and off

1. Hold tool by both handles.
2. Using your thumb push the on/off switch (2) on the right handle to the 'ON' position.
3. To turn off push the switch to the 'OFF' position.

Applications

The GreatNeck orbital polisher can be used to polish most high-gloss surfaces. The application bonnet and polishing bonnet are manufactured to apply and remove polishes and waxes evenly. Some of the most common applications include:

- _ Cars
- _ Boats
- _ Personal Aircraft
- _ Motorcycles
- _ Hardwood Floors
- _ Furniture

Preparing the surface

For optimum results, ensure that the surface is clean and dry before polishing. Most high-gloss surfaces can be cleaned with a mild soap and water solution. A mild ammonia such as that used in glass cleaners can be used to remove stubborn dirt such as road tar, grease and bug stains.

WARNING. Always check the label for recommended applications before using a cleaning product. Using the incorrect product for the application may damage the surface. Use only recommended car care products.

Never apply cleaner directly onto the surface to be polished. Apply to a clean cloth and then use the cloth to clean the surface.

Never use any type of abrasive cleaner as it may damage or scratch the surface.

Attaching the bonnets:

The GreatNeck orbital polisher is supplied with 2 bonnets. They are used for the following applications:

1. Terrycloth bonnet – used to apply wax / polish onto the surface.
2. Polishing bonnet – used to finish the surface.

Maintaining the bonnets:

1. Wash terrycloth bonnet and polishing bonnet by hand with a mild soap. Remove excess moisture and allow to dry.
2. When not in use remove the pads from the orbital polisher.
3. Wash pads on a regular basis to prolong their life.

Attaching the application bonnet:

1. To fit the application bonnet turn the orbital polisher upside down and rest it on its motor housing.
2. Fit the application bonnet over the top of the foam pad and ensure that the outer edge of the elastic is drawn over the top of the foam pad for a secure fit.

Applying polish to the application bonnet:

1. Most polishes are either in paste or liquid form. Read all directions on appropriate application before using any polishing product.
2. For paste use a putty knife or other flat, blunt object to apply approximately one rounded teaspoon of paste onto the surface of the bonnet.
3. Do not apply paste directly onto the surface being polished.
4. For liquid polish apply a small circle of liquid about the size of a half-dollar in the centre of the application bonnet.
5. Apply two more rings of polish on the outside of the circle, each one slightly larger than the previous one.
6. After the first application the application bonnet will not absorb as much polish so apply a smaller quantity.

Applying polish to the surface:

1. Hold the orbital polisher firmly against the surface and slide the On/Off switch to the “ON” position.
2. Always start and stop the orbital polisher on or against the surface being polished.
3. Begin by polishing larger flat surfaces, such as hood, trunk and roof. Use a broad sweeping motion in a criss-cross pattern.
4. Do not press down on the surface with the orbital polisher, allow the orbital action of the pad and bonnet to do the work.
5. Once flat surfaces have been covered, polish curved surfaces such as car doors and quarter panels. Use small circular motions.
6. After applying polish to the entire surface, turn orbital polisher off by sliding the switch to the “OFF” position.
7. Wait until the pad stops rotating before lifting the orbital polisher from the surface. Unplug orbital polisher.
8. Apply polish by hand for hard to reach areas, such as the underside of bumpers or side mirrors.

Attaching the polishing bonnet:

1. Loosen the polishing bonnet drawstring.
2. To fit the polishing bonnet turn the orbital polisher upside down and rest it on its motor housing.
3. Fit the polishing bonnet over the top of the foam pad and ensure that the outer edge is drawn over the top of the foam pad.
4. Turn the orbital polisher over and place it on its pad.
5. Tighten the drawstring and secure it with a simple overhead knot.
6. Tuck the drawstring inside the bonnet.
7. Remove the polishing bonnet by loosening the drawstring and slipping it off the foam pad.

Using the polishing bonnet:

1. Hold the orbital polisher firmly against the surface and slide the On/Off switch to the "ON" position.
2. Always start and stop the orbital polisher on or against the surface being polished.
3. Begin by polishing larger flat surfaces, such as hood, trunk and roof. Use a broad sweeping motion in a criss-cross pattern.
4. Do not press down on the surface with the orbital polisher, allow the orbital action of the pad and bonnet do the work.
5. Once flat surfaces have been covered, polish curved surfaces such as car doors and quarter panels. Use small circular motions.
6. After polishing the entire surface, turn orbital polisher off by sliding the switch to the "OFF" position.
7. Wait until the pad stops rotating before lifting the orbital polisher from the surface.
8. Unplug orbital polisher.
9. Polish surfaces by hand for hard to reach areas, such as the underside of bumpers or side mirrors.

Maintenance:

WARNING. Always ensure that the tool is switched off and the plug is removed from the power point before making any adjustments or maintenance procedures.

_ Avoid using solvents when cleaning plastic parts, most plastics are susceptible to damage from various types of commercial solvents and may be damaged by their use.

_ Use clean cloth to remove dirt and carbon dust.

_ Do not at any time allow brake fluids, gasoline, petroleum-based products or penetrating oils come into contact with plastic parts. They contain chemicals that can damage, weaken or destroy plastic.

_ Allow the pad to dry completely after each use.

_ Store the orbital polisher with the pad facing upwards to extend pad life and retain its shape.

_ Be careful not to use too much polish at one time, if the pad becomes saturated it will not last as long.

Cleaning:

1. Keep the tool's air vents unclogged and clean at all times.

2. Remove dust and dirt regularly. Cleaning is best done with a rag.

3. Never use caustic agents to clean plastic parts.

CAUTION. Do not use cleaning agents to clean the plastic parts of the tool. A mild detergent on a damp cloth is recommended. Water must never come into contact with the tool.

General inspection:

Regularly check that all the fixing screws are tight. They may vibrate loose over time.

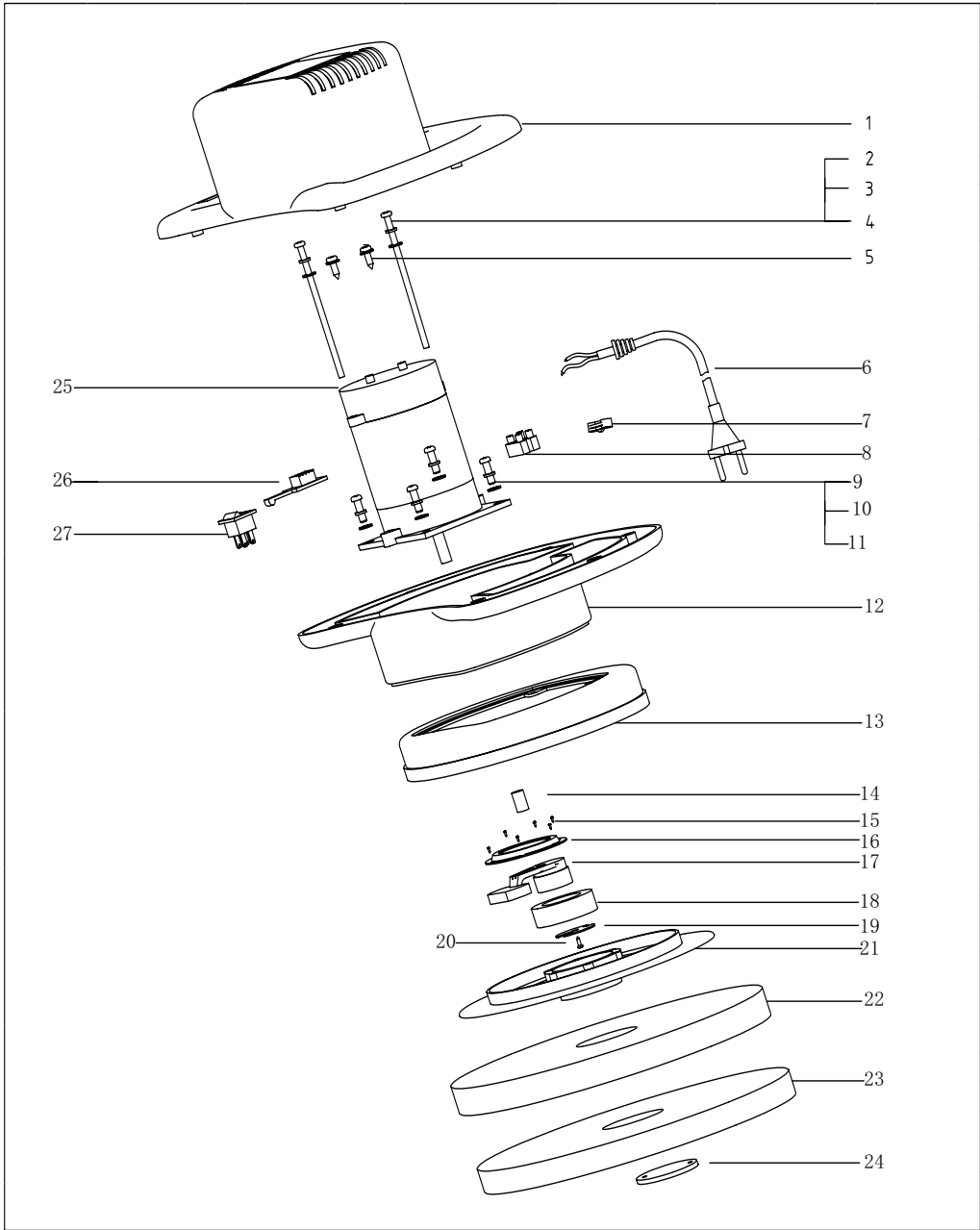
Repairs:

Only an authorized service center should replace the cordset or carry out other repairs. If the cordset is damaged or worn, have it repaired or replaced by an authorized service center.

Trouble shooting:

Warning! Turn the on/off switch to the off position and unplug the tool from the power supply before performing trouble shooting procedures.

Troubleshooting		
Trouble	Problem	Suggested remedy
Orbital polisher will not start	Power cord not plugged in	Ensure that the cord is connected to the power supply
	Power fault, fuse or circuit breaker tripped	Check the power supply
	Cord damaged	Use authorized service center to repair or replace
	Faulty switch	Use authorized service center to repair or replace switch
	Faulty motor	Use authorized service center to repair or replace motor
Poor performance	Extension cord too long or undersized	Use extension cord heavy enough to carry the current
	Tool is overheating	Turn off the tool and let it cool down to room temperature. Inspect and clean the ventilation slots
	Too much wax on the applicator or bonnet	Replace or clean the accessory. Ensure that too much polish is not applied onto the accessory. Remove a portion of wax and retry
	Bonnet worn	Replace with new bonnet
Vibration or abnormal noise	Accessory not secured	Ensure that the accessory is secured onto the foam pad and that the outer edge is drawn over the top of the foam pad
	Loose screws	Ensure that all fixing screws are fully tightened



	Part #	Part Name	Quantity
1	80151-1	Housing	1
2	80151-2	Screw	2
3	80151-3	Spring coil mat slice	2
4	80151-4	Mat slice	2
5	80151-5	Screw	2
6	80151-6	Power cord & Plug	1
7	80151-7	Cord clamp	1
8	80151-8	Terminal block	1
9	80151-9	Screw	4
10	80151-10	Spring coil mat slice	4
11	80151-11	Mat slice	4
12	80151-12	Housing	1
13	80151-13	Plastic guard	1
14	80151-14	Bearing guard	1
15	80151-15	Screw	1
16	80151-16	Fix a mat slice	1
17	80151-17	Counterweight	1
18	80151-18	Bearings	1
19	80151-19	Steel ring	1
20	80151-20	Screw	1
21	80151-21	Pad holder assembly	1
22	80151-22	Pad	1
23	80151-23	Pad	1
24	80151-24	Plastic plate	1
25	80151-25	Motor	1
26	80151-26	Switch plate	1
27	80151-27	Switch	1

Carefully read the entire Instruction Manual before using this product.

Dear customer, if you require any help with your product, whether it is a Warranty Claim, spare part or user information, please phone our Help Line on:

1-888-458-6472

Product of China

Save this manual for future reference.

Free Manuals Download Website

<http://myh66.com>

<http://usermanuals.us>

<http://www.somanuals.com>

<http://www.4manuals.cc>

<http://www.manual-lib.com>

<http://www.404manual.com>

<http://www.luxmanual.com>

<http://aubethermostatmanual.com>

Golf course search by state

<http://golfingnear.com>

Email search by domain

<http://emailbydomain.com>

Auto manuals search

<http://auto.somanuals.com>

TV manuals search

<http://tv.somanuals.com>