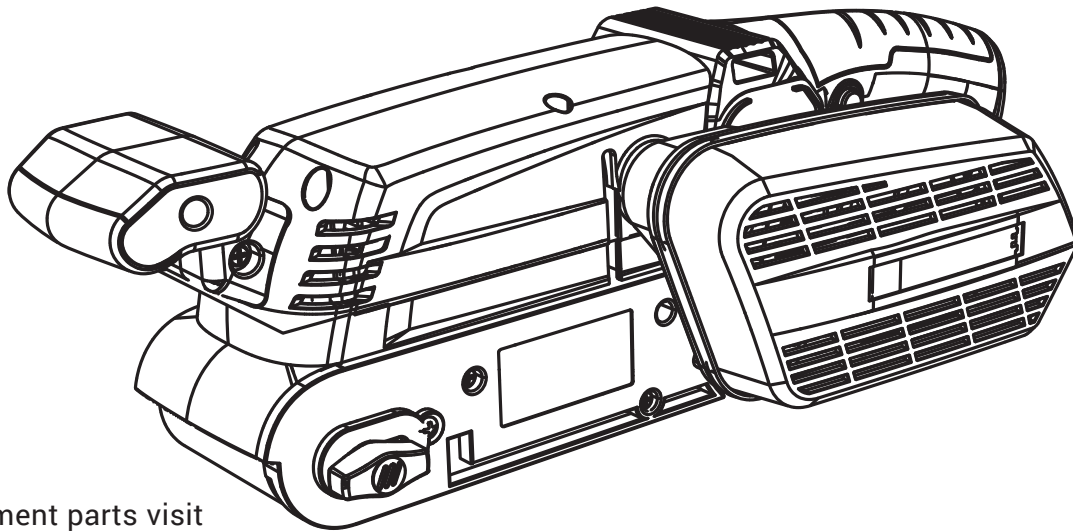




**MODEL HB3216**

# 3 X 21 INCH BELT SANDER



For replacement parts visit  
**WENPRODUCTS.COM**



## **IMPORTANT:**

Your new tool has been engineered and manufactured to WEN's highest standards for dependability, ease of operation, and operator safety. When properly cared for, this product will supply you years of rugged, trouble-free performance. Pay close attention to the rules for safe operation, warnings, and cautions. If you use your tool properly and for its intended purpose, you will enjoy years of safe, reliable service.

## **NEED HELP? CONTACT US!**

Have product questions? Need technical support?  
Please feel free to contact us at:



**800-232-1195** (M-F 8am-5pm CST)



**techsupport@wenproducts.com**



**WENPRODUCTS.COM**

**NOTICE:** Please refer to [wenproducts.com](http://wenproducts.com) for the most up-to-date instruction manual.

## TABLE OF CONTENTS

Technical Data.....	2
Safety Introduction .....	3
Safety Information .....	4
Specific Safety Rules for Belt Sanders .....	6
Electrical Information .....	9
Know Your Belt Sander .....	10
Preparation & Adjustment .....	11
Operation .....	13
Maintenance.....	15
Exploded View & Parts List.....	16
Warranty Statement.....	19

## TECHNICAL DATA

<b>Model Number</b>	HB3216	
<b>Motor</b>	120V, 60 Hz, 7A, 840 Watts	
<b>Rotational Speed</b>	450-750 RPM	
<b>Belt Speed</b>	787-1312 ft/min	
<b>Belt Size</b>	3 x 21 in. (75 mm x 533 mm)	
<b>Sanding Surface</b>	3 x 6.7 in.	
<b>Product Net Weight</b>	7.15 lbs	
<b>Assembled Dimensions</b>	19.6 in. x 4.5 in. x 5.3 in.	
<b>Dust Port Dimensions</b>	<b>Inner ø</b>	0.98 in. (24.9 mm)
	<b>Outer ø</b>	1.13 in. (28.7 mm)
<b>Dust Port Adapter Dimensions</b>	<b>Inner ø</b>	1.40 in. (35.5 mm)
	<b>Outer ø</b>	1.59 in. (40.5 mm)
<b>Adapter Reducer Dimensions</b>	<b>Inner ø</b>	1.30 in. (33.0 mm)
	<b>Outer ø</b>	1.42 in. (36.0 mm)

# SAFETY INTRODUCTION

## THANKS FOR PURCHASING THE WEN BELT SANDER

We know you are excited to put your tool to work, but first, please take a moment to read through the manual. Safe operation of this tool requires that you read and understand this operator's manual and all the labels affixed to the tool. This manual provides information regarding potential safety concerns, as well as helpful assembly and operating instructions for your tool.



**SAFETY ALERT SYMBOL:** indicates danger, warning, or caution. The safety symbols and the explanations with them deserve your careful attention and understanding. Always follow the safety precautions to reduce the risk of fire, electric shock and personal injury. However, please note that these instructions and warnings are not substitutes for proper accident prevention matters.

**NOTE:** The following safety information is not meant to cover all possible conditions and situations that may occur. WEN reserves the right to change this product and specifications at any time without prior notice.



**WARNING:** Read all safety warnings and all instructions. Failure to follow all instructions may result in electric shock, fire and serious injury. The term "power tool" in the warnings refers to your mains-operated (corded) power tool. **Save all warnings and instructions for future reference.**

**Keep this manual available to all users during the entire life of the tool and review it frequently to maximize safety for both yourself and others.**

## INTENDED USE

This belt sander is designed for dry surface sanding only. Wood, plastic, metal, plaster and painted surfaces may be sanded as long as you choose the correct sandpaper grit and machine speed. Any modifications to the machine's intended use may result in serious personal injury. WEN is not liable for any damage(s) caused by misuse.

# SAFETY INFORMATION

## WORK AREA SAFETY

---

1. Keep work area clean and well lit. Cluttered or dark areas can cause accidents. Do not work on floor surfaces that are slippery with sawdust or wax.
2. Do not operate power tools in explosive atmospheres, such as in the presence of flammable liquids, gases or dust. Power tools create sparks which may ignite the dust or fumes.
3. Keep bystanders at a safe distance from the work area. Never allow children or pets near the tool.

## ELECTRICAL SAFETY

---

1. Do not expose power tools to rain or wet conditions. Water entering a power tool will increase the risk of electric shock.
2. Power tool plugs must match the outlet. Never modify the plug in any way. Modified plugs with non-matching outlets will increase the risk of electric shock.
3. Do not abuse the cord. Never use the cord for carrying, pulling or unplugging the power tool. Keep cord away from heat, oil, sharp edges or moving parts. Damaged or entangled cords increase the risk of electric shock.
4. Avoid body contact with earthed or grounded surfaces such as pipes, radiators, ranges and refrigerators. There is an increased risk of electric shock if your body is earthed or grounded.
5. When operating a power tool outdoors, use an extension cord suitable for outdoor use. Use of a cord suitable for outdoor use reduces the risk of electric shock.
6. If using a power tool in a damp location is unavoidable, use a ground fault circuit interrupter (GFCI) protected supply. Use of a GFCI reduces the risk of electric shock.



**WARNING:** Dust generated from certain materials can be hazardous to your health. Always operate the tool in a well-ventilated area and provide for proper dust removal. Use dust collection systems whenever possible.

## PERSONAL SAFETY


---

1. Stay alert. Watch what you are doing and use common sense when operating a power tool. Do not use a power tool while you are tired or under the influence of drugs, alcohol or medication. A moment of inattention while operating power tools may result in serious personal injury.
2. Use personal protective equipment. Always wear safety goggles at all times that comply with ANSI Z87.1. Use ear protection such as plugs or muffs during extended periods of operation. Wear a face mask or dust mask to fight the dust produced by sanding operations.
3. Do not wear loose clothing, gloves, neckties, or jewelry (rings, watches, etc.) when operating the tool. Inappropriate clothing and items can get caught in moving parts and draw you in. Always wear non-slip footwear and tie back long hair.
4. Do not overreach. Keep proper footing and balance at all times. This enables better control of the power tool.

# SAFETY INFORMATION

## POWER TOOL USE & CARE

1. Avoid accidental start-ups. Make sure the power switch is in the OFF position before connecting to power source, picking up or carrying the tool.
2. Check power tool for damaged parts. Check for misalignment of moving parts, jamming, breakage, improper mounting, or any other conditions that may affect the tool's operation. Do not use the power tool if the switch does not turn ON/OFF. Any part that is damaged should be properly repaired or replaced before use.
3. Do not force the tool to do a job for which it was not designed. Use the correct power tool and accessories and follow the instructions for your application to prevent hazardous situations.
4. Remove adjustment tools. Always make sure all adjustment tools or wrenches are removed from the tool before turning on the power tool. A key left attached to a rotating part of the power tool may result in personal injury.
5. Keep guards in place and in working order before operating the tool.
6. Use dust extraction. If devices are provided for the connection of dust extraction and collection facilities, ensure these are connected and properly used. Use of dust collection is highly recommended to reduce dust-related hazards.
7. Never leave a running tool unattended. Do not leave the tool until it has come to a complete stop.
8. Disconnect the plug from the power source. ALWAYS remove the power cord plug from the electrical outlet when making adjustments, changing parts, or storing power tools. Such preventive safety measures reduce the risk of starting the power tool accidentally.
9. Maintain power tools properly. Safely store power tools out of the reach of children. Always keep tools clean and in good working order. Follow instructions for lubricating and changing accessories.

 **WARNING:** Failure to comply to warnings and instructions may result in fire, electric shock, and/or serious injury.


## CALIFORNIA PROPOSITION 65 WARNING


Some dust created by power sanding, sawing, grinding, drilling, and other construction activities may contain chemicals, including lead and wood dust, known to the State of California to cause cancer, birth defects, or other reproductive harm. Wash hands after handling. Some examples of these chemicals are:

- Lead from lead-based paints.
- Crystalline silica from bricks, cement, and other masonry products.
- Arsenic and chromium from chemically treated lumber.

Your risk from these exposures varies depending on how often you do this type of work. To reduce your exposure to these chemicals, work in a well-ventilated area with approved safety equipment such as dust masks specially designed to filter out microscopic particles.

# SPECIFIC SAFETY RULES FOR BELT SANDERS

 **WARNING:** EXTREME CAUTION REQUIRED WHEN SANDING PAINT. The dust residue may contain LEAD, which is poisonous. Exposure to even low levels of lead can cause irreversible brain and nervous system damage, to which young and unborn children are particularly vulnerable. Any pre-1960s building may have paint containing lead on wood or metal surfaces that has since been covered with additional layers of paint. Lead-based paints should only be removed by a professional and should not be removed using a sander. If you suspect that paint on surfaces contains lead, please seek professional advice.

 **WARNING:** USE A FACE MASK AND DUST COLLECTION. Some wood and wood type products, such as MDF (Medium Density Fiberboard), can produce dust that can be hazardous to your health. We recommend the use of a dust extraction system and an approved face mask with replaceable filters when using this machine.

## SANDER RULES

---

### 1. Two-Hand Operation

This machine requires the use of two hands to ensure safe operation.

### 2. Maintaining a Stable Stance

Ensure proper balance when using the tool. Do not stand on ladders and step ladders during operation. If the machine is to be used on a higher and otherwise unreachable surface, a suitable and stable platform or scaffold tower with hand rails and kick boards should be used.

### 3. Preparing the Workpiece

Check the workpiece for any protruding nails, screw heads or anything else that could tear or damage the belt.

### 4. Securing the Workpiece

Never hold the workpiece in your hand or across your legs. Secure small workpieces to prevent the rotating belt from picking them up during forward motion. An unstable or improperly-secured workpiece could cause the belt to bind, resulting in a loss of control and possible injury.

### 5. Checking the Power Cord

Make sure that the power cord is prevented from coming into contact with the machine or getting caught up on other objects, preventing completion of the sanding pass.

### 6. Holding the Sander

Keep handles and hands dry, clean and free from oil and grease. Hold the power tool by the insulated gripping surfaces only in case the belt contacts its own cord. Cutting a “live” wire may make exposed metal parts of the tool “live” and could give the operator an electric shock.

### 7. Sand on Dry Surfaces Only

This machine is to be used for dry sanding only. Do not attempt to use for wet sanding operations, as fatal electric shock may occur.

### 8. Starting the Sander

Always start the sander before the sanding belt is in contact with the workpiece. Let the sander reach full speed before using the tool. Do not start the machine while it is in contact with the workpiece.

# SPECIFIC SAFETY RULES FOR BELT SANDERS

## 9. Sanding the Workpiece

**CAUTION:** when the machine contacts the workpiece, it will have a tendency to grab and pull forward. Resist the forward motion and keep the belt sander moving at an even pace. Never pull the tool backwards over the workpiece. Sand in the direction of the grain whenever possible. Remove the sanding dust between each grade of sanding sheet. Never leave the machine unattended while it is still running.

## 10. Setting Down the Sander

Wait for the belt to stop before setting the tool down. An exposed, rotating belt may engage the surface, leading to possible loss of control and serious injury. Always lay the sander on its side to prevent accidents if the machine is inadvertently started.

## 11. Unplug Your Sander

Ensure that the sander is disconnected from the main supply before servicing, lubricating, making adjustments, changing accessories, or replacing sanding belts. Accidental start-ups may occur if the tool is plugged in during an accessory change. Before plugging the tool back in, check that the trigger is OFF.

## 12. Replacing the Sanding Belt

Replace the sanding belt as soon as it becomes worn or torn. Torn sanding belts can cause deep scratches that are difficult to remove. Ensure that the sanding belt is the correct size for the machine. After changing a sanding belt, rotate the belt to make sure it doesn't hit any part of the tool.

## 13. Cleaning Your Sander

Clean and maintain your tool periodically. When cleaning a tool, be careful not to disassemble any portion of the tool. Internal wires may be misplaced or pinched and safety guard return springs may be improperly mounted. Certain cleaning agents such as gasoline, carbon tetrachloride, ammonia, etc. may damage plastic parts.

## KICKBACK AND RELATED WARNINGS

Kickback is a sudden reaction to a pinched or snagged rotating wheel, backing pad, brush or any other accessory. Pinching or snagging causes rapid stalling of the rotating accessory, which in turn causes the uncontrolled power tool to be forced in the direction opposite of the accessory's rotation at the point of binding.

Kickback is the result of power tool misuse and/or incorrect operating procedures or conditions and can be avoided by taking the proper precautions as given below.

1. Maintain a firm grip on the power tool and position your body and arm to allow you to resist kickback forces. Always use auxiliary handle, if provided, for maximum control over kickback or torque reaction during start-up. The operator can control torque reactions or kickback forces, if proper precautions are taken.
2. Never place your hand near the rotating accessory. The accessory may kick back over your hand.
3. Do not position your body in the area where the power tool will move if kickback occurs. Kickback will propel the tool in the direction opposite to the wheel's movement at the point of snagging.
4. Use special care when working corners, sharp edges, etc. Avoid bouncing and snagging the accessory. Corners or sharp edges or bouncing have a tendency to snag the rotating accessory and cause loss of control or kickback.

# SPECIFIC SAFETY RULES FOR BELT SANDERS

## VIBRATION SAFETY

---

This tool vibrates during use. Repeated or long-term exposure to vibration may cause temporary or permanent physical injury, particularly to the hands, arms and shoulders. To reduce the risk of vibration-related injuries:

1. First, be examined by a doctor and then have regular medical check-ups to ensure medical problems are not being caused or worsened from using this tool. People who are pregnant, have impaired blood circulation to the hand, past hand injuries, nervous system disorders, diabetes, or Raynaud's disease should NOT use this tool.
2. If you feel any symptoms related to vibration (such as tingling, numbness, and white or blue fingers), stop working and seek medical advice as soon as possible.
3. Do not smoke during use. Nicotine reduces the blood supply to the hands and fingers, increasing the risk of vibration-related injury.
4. Wear suitable work gloves to reduce the effects of vibration.
5. Hold the tool firmly enough to keep safe control of it, but NOT too tightly. The risk associated with vibration is increased when the gripping force is high. Let the tool do the work.
6. Take vibration-free breaks during each day of work.

**These safety instructions can't possibly warn of every scenario that may arise with this tool, so always make sure to stay alert and use common sense during operation.**



# ELECTRICAL INFORMATION

## DOUBLE-INSULATED TOOLS



The tool's electrical system is double insulated where two systems of insulation are provided. This eliminates the need for the usual three-wire grounded power cord. Double insulated tools do not need to be grounded, nor should a means for grounding be added to the product. All exposed metal parts are isolated from the internal metal motor components with protecting insulation.

**IMPORTANT:** Servicing a double-insulated product requires extreme care and knowledge of the system, and should be done only by qualified service personnel using identical replacement parts. Always use original factory replacement parts when servicing.

- 1. POLARIZED PLUGS** - To reduce the risk of electric shock, this equipment has a polarized plug (one blade is wider than the other). This plug will fit in a polarized outlet only one way. If the plug does not fit fully in the outlet, reverse the plug. If it still does not fit, contact a qualified electrician to install a proper outlet. **DO NOT** modify the machine plug or the extension cord in any way.
- 2. GROUND FAULT CIRCUIT INTERRUPTER PROTECTION (GFCI)** should be provided on the circuit or outlet used for this power tool to reduce the risk of electric shock.
- 3. SERVICE AND REPAIR** - To avoid danger, electrical appliances must only be repaired by a qualified service technician using original replacement parts.



**WARNING:** To avoid electrocution, **DO NOT** expose to rain or use in wet or damp locations.

## GUIDELINES FOR USING EXTENSION CORDS

Make sure your extension cord is in good condition. When using an extension cord, be sure to use one heavy enough to carry the current your product will draw. An undersized cord will cause a drop in line voltage, resulting in loss of power and overheating. The table below shows the correct size to be used according to cord length and nameplate ampere rating. When in doubt, use a heavier cord. The smaller the gauge number, the heavier the cord.

AMPERAGE	REQUIRED GAUGE FOR EXTENSION CORDS			
	25 ft	50 ft	100 ft	150 ft
7A	18 gauge	16 gauge	14 gauge	12 gauge

1. Examine extension cord before used. Make sure your extension cord is properly wired and in good condition. Always replace a damaged extension cord or have it repaired by a qualified person before using it.
2. Do not abuse extension cord. Do not pull cord to disconnect from receptacle; always disconnect by pulling on plug. Disconnect the extension cord from the receptacle before disconnecting the product from the extension cord. Protect your extension cords from sharp objects, excessive heat and damp/wet areas.
3. Use a separate electrical circuit for your tools. This circuit must not be less than a 12-gauge wire and should be protected with a 15 A time-delayed fuse. Before connecting the motor to the power line, make sure the switch is in the OFF position and the electric current is rated the same as the current stamped on the motor nameplate. Running at a lower voltage will damage the motor.

# KNOW YOUR BELT SANDER

Carefully remove the tool and all contents from the packaging. Check all components against the diagram below. If any part is damaged or missing, please contact our customer service at (800) 232-1195, M-F 8-5 CST or email us at techsupport@wenproducts.com.

## PARTS

- 1 Openings for Mounting Clamps
- 2 Front Handle
- 3 Sanding Belt
- 4 Belt Tracking Adjustment Knob
- 5 Dust Box
- 6 Dust Port Adapter
- 7 Adapter Reducer
- 8 Rear Handle
- 9 ON/OFF Switch
- 10 Lock-ON Button
- 11 Belt Speed Adjustment Wheel
- 12 Dust Port
- 13 Belt Tensioning Lever
- 14 Mounting Clamps

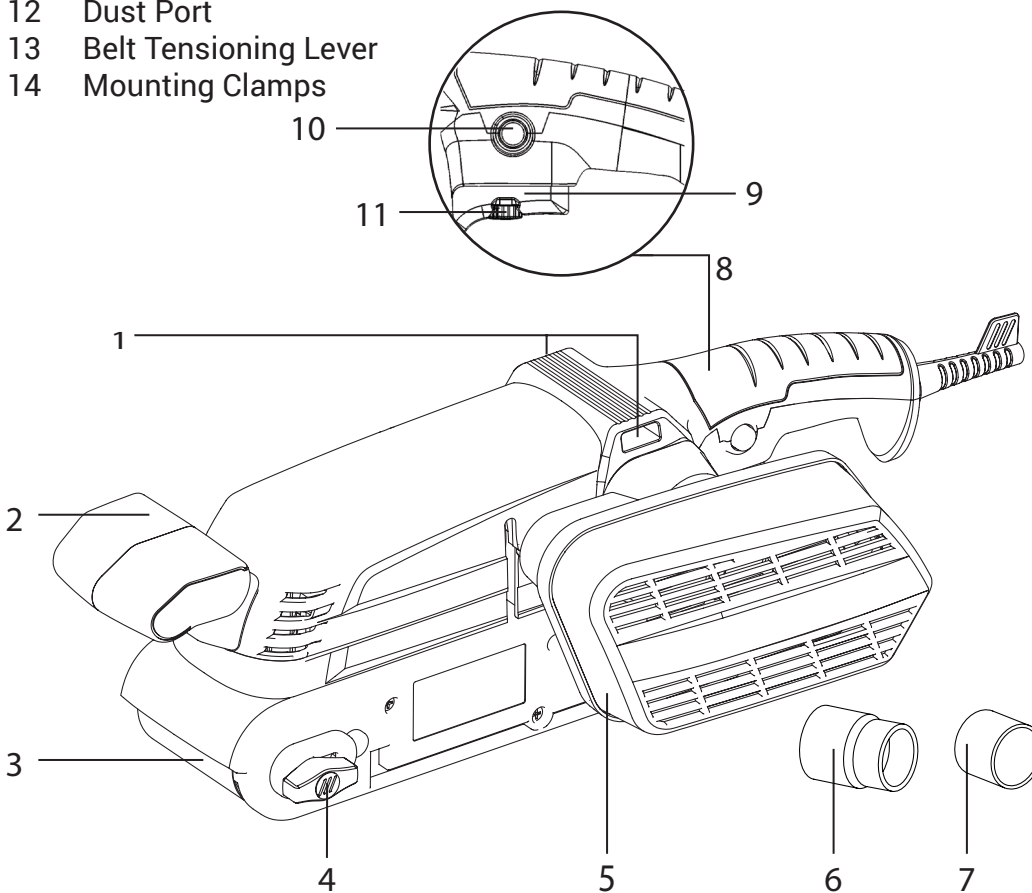
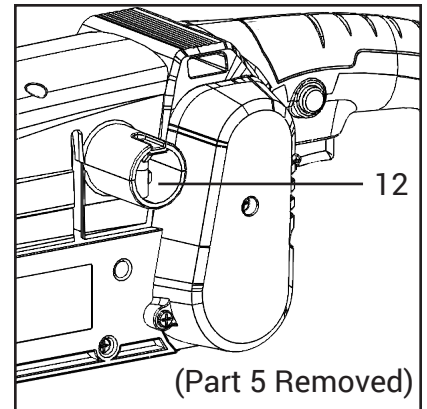
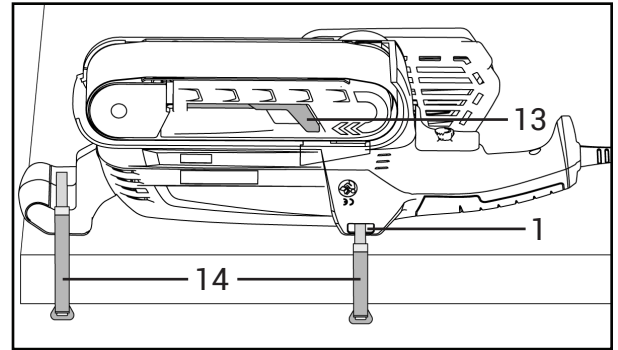


Fig. 1

## PACKAGE CONTENTS

- |                     |                     |
|---------------------|---------------------|
| 1 Belt Sander       | 1 Reducer           |
| 1 Dust Box          | 2 Mounting Clamps   |
| 1 Dust Port Adapter | 1 80-Grit Sandpaper |

# PREPARATION & ADJUSTMENT

## CHOOSING SANDING BELTS

Sanding belts come in different grades from rough through to smooth. Select the grade required for the particular job. Refer to the table below for the type and applications of different grades. Also refer to the table to select the suitable operating speed setting for your intended use. Your sander comes with one 80-grit sanding belt. Additional sanding belts of various grits can be purchased from wenproducts.com by searching your product's model number (HB3216).

Material	Grit	Rotation Speed
Sanding Softwood	60 - 240	High (5-6)
Sanding Hardwood	60 - 180	High (5-6)
Sanding Chipboard	60 - 150	High (5-6)
Removing Paint/Varnish	60	High (5-6)
Whetting Paints	150 - 320	Low (1-2)
De-Rusting Steel	40 - 120	Med/High (3-4)
Sanding Plastics	120 - 240	Low/Med (2-3)
Nonferrous Metals (ie. Aluminum)	80 - 150	Med/High (3-4)

**NOTE:** Do not use the same sanding belt for wood and metal. Store sanding belts in hanging positions to avoid creasing.

Table 1

## INSTALLING OR REPLACING THE SANDING BELT

1. Unplug the sander, turn it upside down, and set it on a stable surface.
2. Swivel the belt tensioning lever (Fig. 2 - 13) completely out to release the sanding belt's tension.
3. Slide the sanding belt off.
4. Mount a new sanding belt (or one of a different grit for use on a new material) on the rollers. Make sure that the arrow on the inside of the belt (Fig. 2 - 1) is pointing the same direction as the arrow on the rear roller (Fig. 2 - 2). Check to make sure that the sanding belt does not touch the sides of the casing.
5. Carefully push the belt tensioning lever (Fig. 2 - 13) back to the original position.
6. Check that the new belt runs on the center of the rollers. Do this by starting the belt sander to watch how the sanding belt runs. If it shifts along the rollers towards the left or the right, it will require manual adjustments.

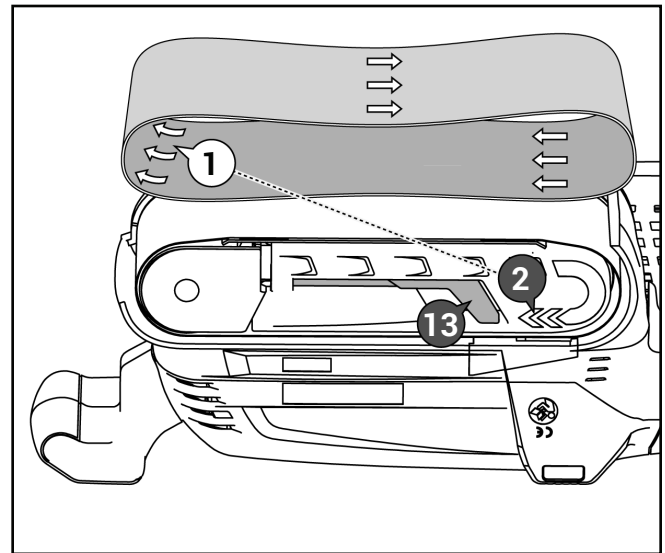


Fig. 2

# PREPARATION & ADJUSTMENT

7. To adjust the sanding belt, turn the belt tracking knob (Fig. 3 - 4) either clockwise or counterclockwise until the sanding belt runs down the center. Turning the screw clockwise will cause the belt to track more to the left (as viewed from the bottom of the sander); turning the screw counterclockwise will cause it to track more to the right. Run the sander for a short period of time and adjust the tracking until the sanding belt is running in the center of the roller. Make sure the belt does not rub against the casing of the sander.

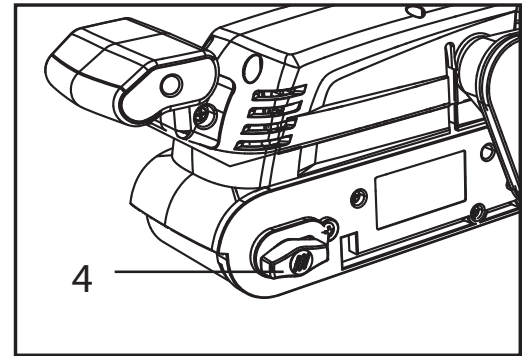


Fig. 3

## DUST COLLECTION

Sanding dust can be hazardous to your health. Always wear a dust mask and operate the tool in a well-ventilated area. This sander comes with a dust port adapter and dust collection box. Before operation the sander, make sure to install the dust box, or connect the tool to a suitable dust extraction system.

**CAUTION:** When sanding metal, the dust box or dust extraction system should not be used, as there may be a risk of fire due to flying sparks.

**WARNING:** Do not allow the workpiece to overheat. This can cause a fire if the wood dust is mixed with other chemicals, paint residues or metal residues. Always empty the dust box and vacuum used before leaving the work station.

## DUST EXTRACTION WITH DUST BOX

### INSTALLING DUST BOX

- Push dust box onto the dust port on the side (Fig. 4 - 12).

### REMOVING AND EMPTYING DUST BOX

- Turn off and unplug sander, then pull the dust box off. Tap it over garbage can to empty dust box.

**NOTE:** Check and empty dust box often, before it gets full.

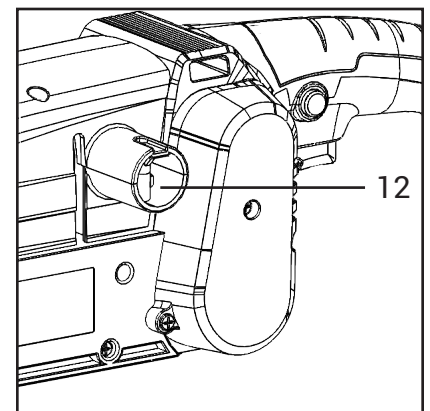


Fig. 4

## DUST EXTRACTION SYSTEM

1. With the dust box removed, attach the dust hose of your dust extraction system to the dust port (Fig. 4 - 12). You may install the dust port adapter, or reducer to adjust the size of the dust port to fit your dust hose.
2. Attach a dust extraction hose onto the dust port adapter, or reducer (if used).
3. Connect the other end of the dust extraction hose to the dust extraction system of your choice.

# OPERATION

**CAUTION:** Never cover the air vents. They must always be open for proper motor cooling. Make sure that the work piece is free of nails and other foreign objects that could tear the abrasive belt.

## POWER LOCK-ON

(See Figure 5 for these features)

1. For instantaneous operation, simply press and hold the ON/OFF switch. To stop instantaneous operation, release the ON/OFF switch.
2. For continuous operation, press down the ON/OFF switch and push in the lock-on button. This will keep the belt sander running without holding down the ON/OFF button.
3. To stop continuous operation, press and release the ON/OFF switch.

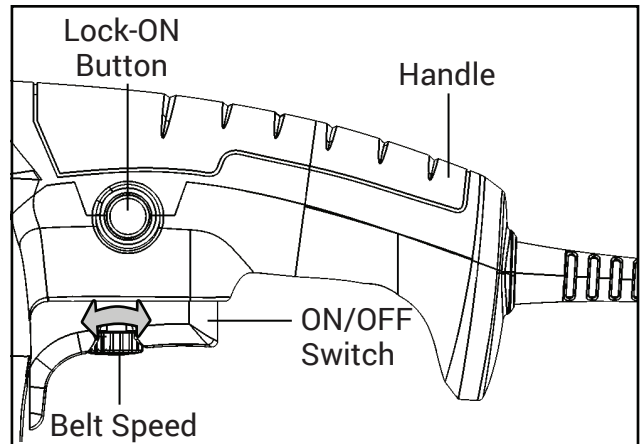


Fig. 5

## SELECTING BELT SPEED

(See Figure 5 for these features)

1. Use the belt speed adjustment wheel to change the speed of the belt. This can be done while the sander is running.
2. To choose the ideal speed for your particular sanding job, refer to Table 1 (Page 11) for our recommended settings.

## OPERATING THE BELT SANDER

1. Hold the machine firmly with both hands in a balanced position.
2. Press ON/OFF switch and allow the motor to reach full speed. For continuous operation, press in the power lock-on button (Fig. 5) located on the side of the handle. (See above section "Power Lock-On")
3. Hold the machine parallel to the work piece. Gently bring belt into contact with the surface.

**CAUTION!** The sander may initially lunge forward. Resist the forward motion and keep the belt sander moving at an even pace.

4. Never exert excessive pressure on the tool. The weight of the tool applies adequate pressure. Excessive pressure prevents proper sanding, leaving an uneven finish and excess wear to both the tool and the sanding belt.
5. At the end of the sanding lift the belt sander off the workpiece before turning off the switch. Wait until the belt has stopped rotating before setting down the tool on its side.

**CAUTION:** If the sander makes an unfamiliar sound or vibrates excessively, switch it off immediately and disconnect from the power supply. Check your tool for any damages or misalignments. Contact our customer service at (800) 232-1195, M-F 8-5 CST or email [techsupport@wenproducts.com](mailto:techsupport@wenproducts.com) for assistance.

# OPERATION

## MOUNTING FOR STATIONARY WORK

Your belt sander can be mounted on a stable worktop to function as a stationary sander.

### TO MOUNT

#### Mounting on one side

1. Make sure sander is unplugged. Prepare a stable worktop.
2. Turn sander over as shown in Figure 6 and place it onto the stable worktop.
3. Locate the mounting clamp opening on the tensioning lever side. Insert one mounting clamp into the mounting clamp opening (Fig. 6) and tighten it.
4. Place the second mounting clamp on top of the front handle (Fig. 6) and tighten it. Make sure both mounting clamps are tightened.
5. Use as a stationary sander.

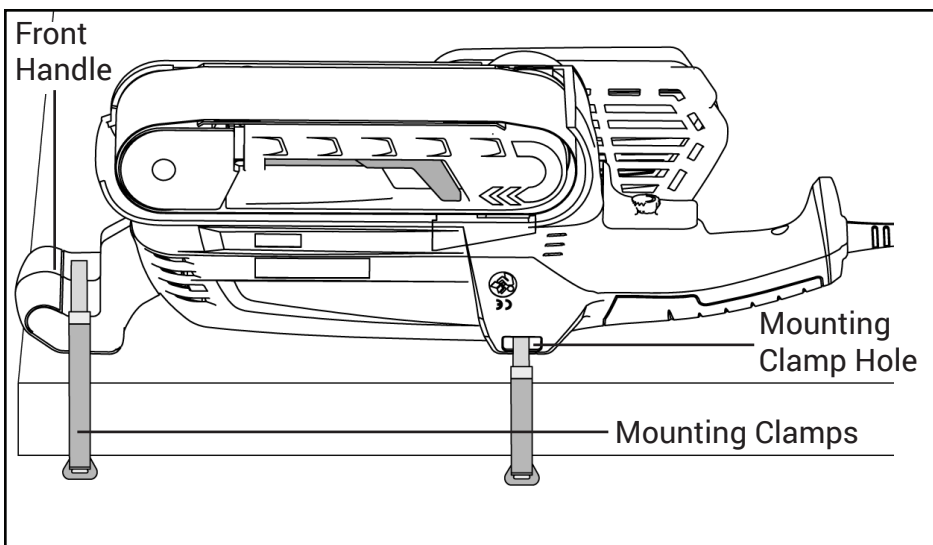


Fig. 6

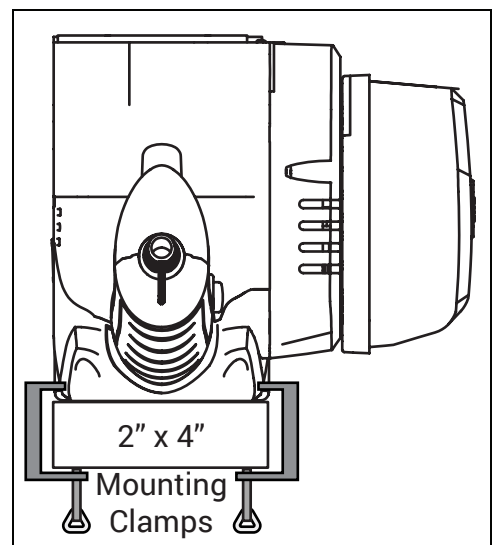



Fig. 7

#### With Two Mounting Clamps

1. Make sure sander is unplugged. Prepare a 2" x 4" piece of wood to which the sander can be securely mounted.
2. Turn sander over as shown in Figure 7 and place on 2" x 4" piece of wood.
3. Locate the mounting clamp openings on both sides of the sander, near the handle. Insert one mounting clamp into the mounting clamp opening (Fig. 7) and tighten it onto the wood. Repeat on the opposite side. Make sure both mounting clamps are tightened.
4. Use as a stationary sander.

# MAINTENANCE

 **WARNING:** To avoid accidents, make sure the power switch is in the OFF position and unplug the tool from the electrical outlet before cleaning or performing any maintenance. Servicing of the tool must be performed by a qualified technician.

## SERVICE


Preventive maintenance performed by unauthorized personnel may result in misplacing of internal wires and components, possibly causing a serious hazard.

**Call the WEN customer service line at 1-800-232-1195 for product support.**

## CLEANING

Ventilation openings and switch levers must be kept clean and free of foreign matter. The tool may be cleaned most effectively with compressed dry air. Do not attempt to clean these components by inserting pointed objects through openings.

Certain cleaning agents and solvents damage plastic parts; this includes but is not limited to gasoline, carbon tetrachloride, chlorinated cleaning solvents, ammonia and household detergents that contain ammonia.

 **WARNING:** To avoid accidents, always disconnect the tool from the power supply before cleaning or performing any maintenance. Always wear safety goggles when cleaning tools with compressed air

**NOTE:** Follow instructions on page 10 under “Installing or Replacing the Sanding Belt” to regularly change the sanding belt, for optimal safety and quality of sanding.

**NOTE:** Follow instructions on page 11 under “Dust Extraction with Dust Box” to regularly empty the contents of the dust box. Use a dry cloth to clean and make sure ventilation openings are always clear.

## PRODUCT DISPOSAL

In order to minimize adverse environmental impact, please do not dispose of the tool in household waste. Take it to your local waste recycling center or an authorized collection and disposal facility. If in doubt, consult your local waste authority for information regarding available recycling and/or disposal options.

# EXPLODED VIEW & PARTS LIST

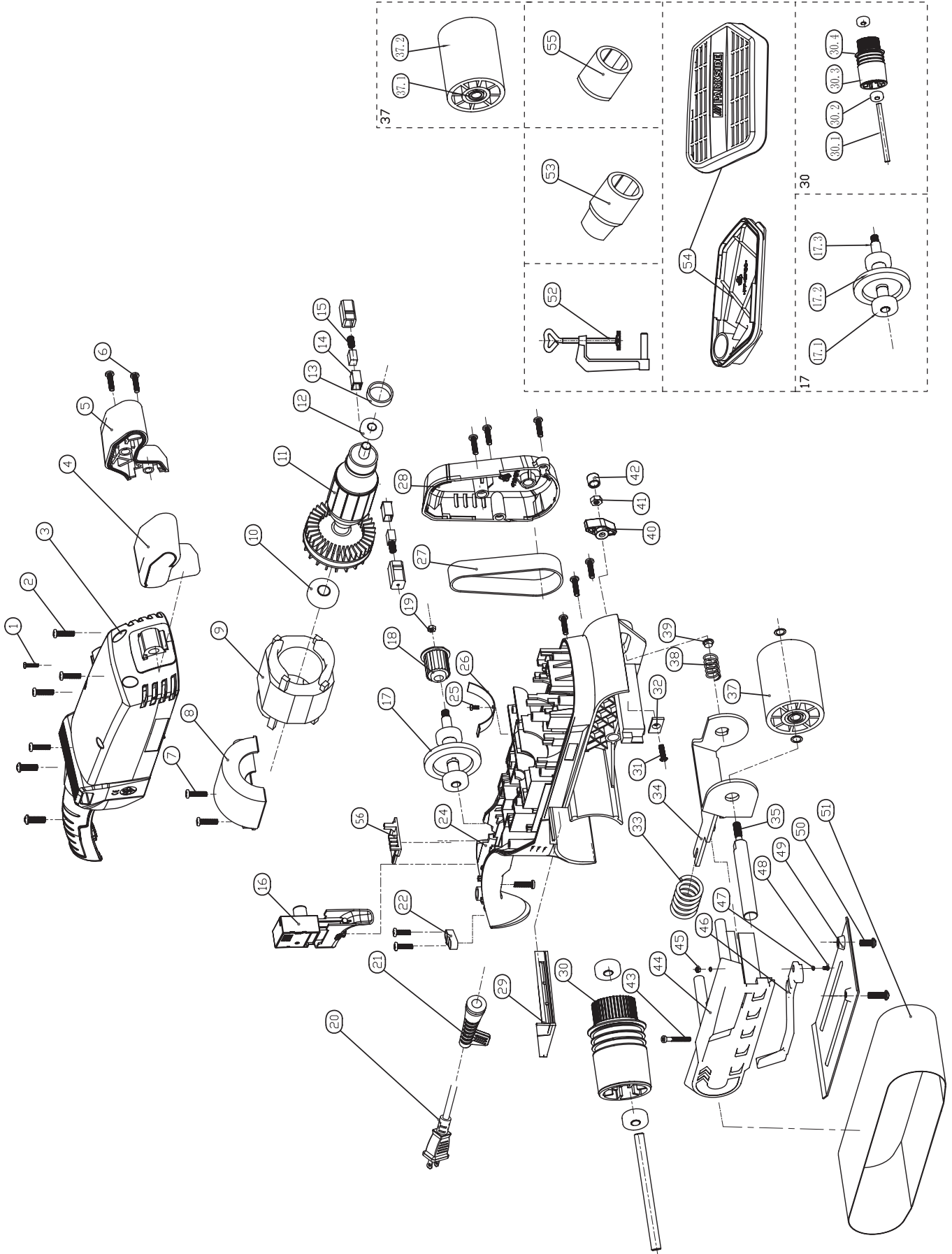
No.	Part No.	Description	Qty.
1	HB3216-001	Cross Recessed Pan Head Tapping Screw ST3×20	1
2	HB3216-002	Cross Recessed Pan Head Tapping Screw ST4x16	16
3	HB3216-003	Upper Casing	1
4	HB3216-004	Right Front Handle	1
5	HB3216-005	Left Front Handle	1
6	HB3216-006	Cross Recessed Pan Head Tapping Screw ST5.5x30	1
7	HB3216-007	Cross Recessed Pan Head Tapping Screw ST4x16	2
8	HB3216-008	Airflow Guard	1
9	HB3216-009	Stator Assembly	1
10	HB3216-010	6000 Bearing	1
11	HB3216-011	Rotor Assembly	1
12	HB3216-012	607 Bearing	1
13	HB3216-013	Shock Ring	1
14	HB3216-014	Brush Holder Assembly	2
15	HB3216-015	Carbon Brush	2
16	HB3216-016	Switch	1
17	HB3216-017	Gear Assembly	1
	HB3216-017.1	608 Bearing	2
	HB3216-017.2	Cogwheel Gear	1
	HB3216-017.3	Output Shaft	1
18	HB3216-018	Synchronous Small Pulley	1
19	HB3216-019	Small Wheel Nut	1
20	HB3216-020	Power Cord	1
21	HB3216-021	Power Cord Sheath	1
22	HB3216-022	Power Cord Clamp	1
24	HB3216-024	Lower Casing	1
25	HB3216-025	Cross Recessed Pan Head Tapping Screw ST3x6	1
26	HB3216-026	Airflow Guide	1
27	HB3216-027	Timing Belt 225-3M 75 Teeth	1
28	HB3216-028	Belt Cover	1
29	HB3216-029	Protective Plate	1



# EXPLODED VIEW & PARTS LIST

No.	Part No.	Description	Qty.
30	HB3216-030	Drive Roller Assembly	1
	HB3216-030.1	Drive Axle	1
	HB3216-030.2	608 Bearing	2
	HB3216-030.3	Rubber Sleeve	1
	HB3216-030.4	Drive Roller	1
31	HB3216-031	Countersunk Head Screw M3x4	1
32	HB3216-032	Ceramic Plate	1
33	HB3216-033	Tension Bracket Spring	1
34	HB3216-034	Bracket	1
35	HB3216-035	Driven Wheel Assembly	1
37	HB3216-037	Driven Roller Assembly	1
	HB3216-037.1	Needle Roller Bearing HK121812	2
	HB3216-037.2	Driven Roller	1
38	HB3216-038	Tracking Adjustment Spring	1
39	HB3216-039	Spring Washer	1
40	HB3216-040	Tracking Adjustment Knob	1
41	HB3216-041	Self-Locking Nut M6	1
42	HB3216-042	Tracking Adjustment Knob Cover	1
43	HB3216-043	Cross Recessed Pan Head Tapping Screw ST4x30	1
44	HB3216-044	Support Plate	1
45	HB3216-045	Non-Metallic Insert Hex Nut M5	1
46	HB3216-046	Tensioning Rod	1
47	HB3216-047	Flat Pad $\phi$ 5	2
48	HB3216-048	Cross Recessed Pan Head Screw M5x16	1
49	HB3216-049	Bottom Plate	1
50	HB3216-050	Cross Recessed Pan Head Tapping Screw ST5x16	2
51	HB3216-051	Sanding Belt 75x533 (80 Grit)	1
52	HB3216-052	Mounting Clamp	2
53	HB3216-053	Dust Port Adapter	1
54	HB3216-054	Dust Box	1
55	HB3216-055	Adapter Reducer	1
56	HB3216-056	Speed Control Knob Positioning Seat	1

# EXPLODED VIEW & PARTS LIST



# WARRANTY STATEMENT

**REMEMBER TO SAVE THE RECEIPT. PROOF OF PURCHASE IS REQUIRED FOR ALL WARRANTY WORK.**

WEN Products is committed to building tools that are dependable for years. Our warranties are consistent with this commitment and our dedication to quality.

## LIMITED WARRANTY OF WEN CONSUMER POWER TOOLS PRODUCTS FOR HOME USE

GREAT LAKES TECHNOLOGIES, LLC ("Seller") warrants to the original purchaser only, that all WEN consumer power tools will be free from defects in material or workmanship for a period of two (2) years from date of purchase. Ninety days for all WEN products, if the tool is used for professional use.

SELLER'S SOLE OBLIGATION AND YOUR EXCLUSIVE REMEDY under this Limited Warranty and, to the extent permitted by law, any warranty or condition implied by law, shall be the repair or replacement of parts, without charge, which are defective in material or workmanship and which have not been misused, carelessly handled, or misrepaired by persons other than Seller or Authorized Service Center. To make a claim under this Limited Warranty, you must make sure to keep a copy of your proof of purchase that clearly defines the Date of Purchase (month and year) and the Place of Purchase. Place of purchase must be a direct vendor of Great Lakes Technologies, LLC. Third party vendors such as garage sales, pawn shops, resale shops, or any other secondhand merchant void the warranty included with this product. Contact [techsupport@wenproducts.com](mailto:techsupport@wenproducts.com) or 1-800-232-1195 to make arrangements for repairs and transportation.

When returning a product for warranty service, the shipping charges must be prepaid by the purchaser. The product must be shipped in its original container (or an equivalent), properly packed to withstand the hazards of shipment. The product must be fully insured with a copy of the warranty card and/or the proof of purchase enclosed. There must also be a description of the problem in order to help our repairs department diagnose and fix the issue. Repairs will be made and the product will be returned and shipped back to the purchaser at no charge.

THIS LIMITED WARRANTY DOES NOT APPLY TO ACCESSORY ITEMS THAT WEAR OUT FROM REGULAR USAGE OVER TIME INCLUDING BELTS, BRUSHES, BLADES, ETC.

ANY IMPLIED WARRANTIES SHALL BE LIMITED IN DURATION TO TWO (2) YEARS FROM DATE OF PURCHASE. SOME STATES IN THE U.S., SOME CANADIAN PROVINCES DO NOT ALLOW LIMITATIONS ON HOW LONG AN IMPLIED WARRANTY LASTS, SO THE ABOVE LIMITATION MAY NOT APPLY TO YOU. IN NO EVENT SHALL SELLER BE LIABLE FOR ANY INCIDENTAL OR CONSEQUENTIAL DAMAGES (INCLUDING BUT NOT LIMITED TO LIABILITY FOR LOSS OF PROFITS) ARISING FROM THE SALE OR USE OF THIS PRODUCT. SOME STATES IN THE U.S. AND SOME CANADIAN PROVINCES DO NOT ALLOW THE EXCLUSION OR LIMITATION OF INCIDENTAL OR CONSEQUENTIAL DAMAGES, SO THE ABOVE LIMITATION OR EXCLUSION MAY NOT APPLY TO YOU.

THIS LIMITED WARRANTY GIVES YOU SPECIFIC LEGAL RIGHTS, AND YOU MAY ALSO HAVE OTHER RIGHTS WHICH VARY FROM STATE TO STATE IN THE U.S., PROVINCE TO PROVINCE IN CANADA AND FROM COUNTRY TO COUNTRY.

THIS LIMITED WARRANTY APPLIES ONLY TO PORTABLE ELECTRIC TOOLS, BENCH POWER TOOLS, OUTDOOR POWER EQUIPMENT AND PNEUMATIC TOOLS SOLD WITHIN THE UNITED STATES OF AMERICA, CANADA AND THE COMMONWEALTH OF PUERTO RICO. FOR WARRANTY COVERAGE WITHIN OTHER COUNTRIES, CONTACT THE WEN CUSTOMER SUPPORT LINE.

**THANKS FOR  
REMEMBERING**



## Free Manuals Download Website

<http://myh66.com>

<http://usermanuals.us>

<http://www.somanuals.com>

<http://www.4manuals.cc>

<http://www.manual-lib.com>

<http://www.404manual.com>

<http://www.luxmanual.com>

<http://aubethermostatmanual.com>

Golf course search by state

<http://golfingnear.com>

Email search by domain

<http://emailbydomain.com>

Auto manuals search

<http://auto.somanuals.com>

TV manuals search

<http://tv.somanuals.com>