

INSTRUCTION MANUAL

6 Bottle Wine Cellar



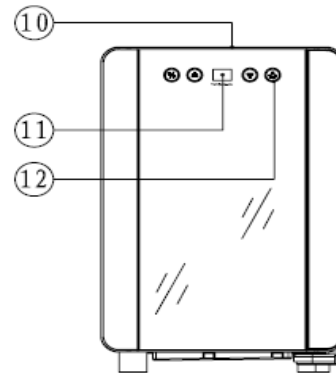
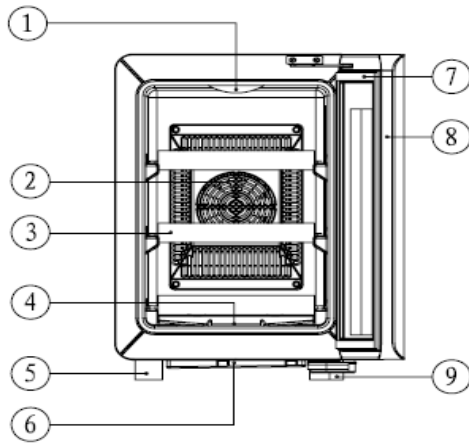
MODEL: 272 03 07

Please read carefully and follow all safety rules and operating instructions.

Contents:

1. Your Wine Cellar
2. Technical Data
3. Important Safety Instructions
4. Installation Instructions
5. Electrical Connection
6. Operating Your Wine cooler
7. Care and Maintenance
8. Problems Disposal
9. Limited Warranty

Your Wine Cellar

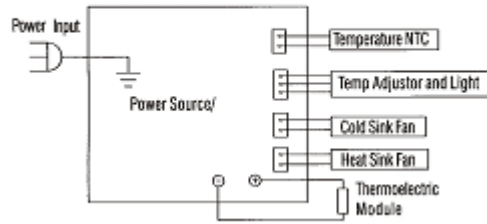


- | | |
|---------------------|-------------------------------|
| 1. LIGHT | 7. MAGNETIC SEAL |
| 2. FAN MASK | 8. DOOR FRAME |
| 3. SHELF | 9. REAM COVER |
| 4. WATER BOX | 10. DOOR HANDLE |
| 5. FOOT | 11. TEMPERATURE CONTROL PANEL |
| 6. BOTTOM WATER BOX | 12. LIGHT SWITCH |

Technical Data

Model no.	2720307
Capacity	18L
Voltage	110V
Current	1.0A(25°C/77°F)
Protection class	I
Climate class	SN;N
Input power	70W(25°C/77°F)
Power Consumption(KW.h/24h)	1.0(15°C/ 59°F)
Max Temperature Difference	>13°C(56°F)
Temperature Control Range	8-18°C(46-66°F)
Net weight	8.9 KG
Gross weight	10.5KG
Shape size (W×H×D)	26.5×40.5×50.0 CM
Color box packing size (W×H×D)	36.3×47.5×59.5 CM
Carton box packing size (W X H X D)	38.3×50.0×61.5CM

Electro circuit Control Diagram



Important Safety Instructions

⚡ WARNING ⚡

To reduce the risk of fire, electrical shock, or injury when using your appliance, follow these basic precautions;

- Read all instructions before using the wine cooler.
- **DANGER** or **WARNING**: risk of child entrapment.
- Junked or abandoned appliances are dangerous ...even if they “just sit in the garage a few days.”
- **Before you throw away your old wine cooler**: take off the door and leave the shelves in place so that children may not easily climb inside.
- Never allow children to operate, play with, or crawl inside the appliance.
- Never clean appliance parts with flammable fluids. The fumes can create a fire hazard or explosion.
- Do not store or use gasoline or any other flammable vapors and liquids in the vicinity of this or any other appliance. The fumes can create a fire hazard or explosion.
- Does not store food in wine cooler, as interior temperature may not get cool enough to prevent spoilage.

Save these instructions

Installation Instructions

Before using your wine cooler

- Remove the exterior and interior packing
- Check to be sure the following parts are included:
 - ◆ 3 Slide out shelves.
 - ◆ 1 Instruction manual.
- Before connecting the appliance to the power source, let it stand upright for approximately 2 hours. This will reduce the possibility of a malfunction in the cooling system from handling during transportation.
- Clean the interior surface with lukewarm water using a soft cloth.
- Place your appliance on a floor that is strong enough to support the appliance when it is fully loaded.
To level your appliance, adjust the front legs at the bottom of the appliance.

Electrical Connection

Warning

Improper use of the grounded plug can result in the risk of electrical shock. If the power cord is damaged, have it replaced by an authorized service center.

This unit should be properly grounded for your safety. The power cord of this unit is equipped with a 3-pin plug which mates with 3-pin wall outlets to minimize the possibility of electrical shock. Do not under any circumstances cut or remove the ground wire from the power cord supplied.

Use of extension cords is not recommended.

This unit requires a standard 110V-60HZ electrical outlet with 3-pin plug.

The cord should be secured behind the wine cooler and not let exposed or dangling to prevent accidental injury.

Operating Your Wine cooler

It is recommended that you install the wine cooler in a place where the ambient temperature is between 10-26 °C (50°F - 80°F). If the ambient temperature is above or below recommended temperatures, the performance of the unit may be affected.

For example, placing in extreme cold or hot conditions may cause interior temperature to fluctuate. The range of 10-16°C (50 - 60°F) may not be reached.

The temperature may fluctuate depending on whether or not the interior light is on or off or whether the bottles are located on the upper, middle or lower section.

How to use the press-buttons on the Display Panel:

You can set the temperature as your desire by pressing the button. There are three press-button on the panel “▲” and “▼” to adjust the temperature by 1°C among 8-18°C (46 - 66°F).

You can turn the interior light on or off by pressing the “Light” button.

Care And Maintenance

Cleaning your wine cooler

- Unplug the wine cooler and remove the bottles.
- Wash the inside with a warm water and baking soda solution. The solution should be about 2 tablespoons of baking soda to a quart of water.
- The outside of wine cooler should be cleaned with mild detergent and warm water.
- Draw out the water box at the bottom, and wash.

Moving your wine cooler

- Remove all the bottles.
- Securely tape down all loose items inside your wine cooler.
- Turn the leveling legs up to the base to avoid damage.
- Tape the door.
- Be sure the wine cooler stays in the upright position during transportation.

Trouble Shooting

You can solve many common wine cooler problems easily, saving you the cost of a possible service call. Try the suggestions below to see if you can solve the problem before calling the service center.

PROBLEM	POSSIBLE CAUSE
Wine cooler does not operate.	Not plugged or using different voltage. The circuit breaker may be tripped or a fuse may be blown.
Wine cooler is not cold enough.	Check the temperature control setting. External environment may require a higher setting. The door is has been opened too often. The door is not closed completely. The door seal does not seal properly. The wine cooler does not have the correct clearance.
The light does not work.	Check to see if the bulb has burned out.
Vibrations.	Check to assure that the wine cooler is level.
The wine cooler seems to make too much noise	The wine cooler is not level. Check the fan.
The door will not close properly.	The wine cooler is not level. The doors were reversed and not properly installed. The seal is weak. The shelves are out of position.
LED display not working..	Main control board does not work. PCB Problem. There is a problem with the plug.
LED display error.	Weak quality of display. Temperature is off.

Limited Warranty

Please speak to your Retailer before calling Wine Enthusiast if you did not purchase your Wine Cellar directly from Wine Enthusiast.

Limited Warranty – 1 year, on all parts and labor from the date of shipment. For customer service, please contact Wine Enthusiast by e-mail (custserv@WineEnthusiast.net) or by phone (800.648.6058).

The limited warranty does not cover: Damage due to such things as accident, misuse, abuse, mishandling, neglect, unauthorized repair or any other cause beyond the control of the seller whether similar or dissimilar to the foregoing.

Free Manuals Download Website

<http://myh66.com>

<http://usermanuals.us>

<http://www.somanuals.com>

<http://www.4manuals.cc>

<http://www.manual-lib.com>

<http://www.404manual.com>

<http://www.luxmanual.com>

<http://aubethermostatmanual.com>

Golf course search by state

<http://golfingnear.com>

Email search by domain

<http://emailbydomain.com>

Auto manuals search

<http://auto.somanuals.com>

TV manuals search

<http://tv.somanuals.com>