



Yale Real Living™ Push Button Deadbolt Installation and Programming Instructions

Yale
real
Living™

NOTE TO INSTALLER

FAILURE TO FOLLOW THESE INSTRUCTIONS
COULD RESULT IN DAMAGE TO THE PRODUCT
AND VOID THE FACTORY WARRANTY



For Technical Assistance call Yale at 1-800-810-WIRE (9473)

This document is available on our website in printed Spanish and French. Go to www.yalerealliving.com.
Click "Product Information & Documentation" and then "Installation Instructions".

Este documento está disponible en español en nuestra página de internet. Vaya a www.yalerealliving.com.
Presione "Información del Producto y Documentación" y luego "Instrucciones de Instalación".

Ce document est disponible sur notre site Web dans le français imprimé. Allez à www.yalerealliving.com.
Cliquez sur le " ; Information sur le produit et Documentation" et puis "Installation Instructions".

TABLE OF CONTENTS

Warnings	2-3
Introduction	3
Installation	
Components and Tools.....	4
Prepare Lock for Installation.....	5
Install Lock.....	6-8
Programming	
Programming Features-Menus-Keys-Definitions	9-10
Lock Operation	11-14
Miscellaneous Information	
Hardware Troubleshooting.....	15
Programming Troubleshooting	16
Installing the Network Module.....	17
Replace/Install Cylinder.....	18
Sample Pin Code Management Sheets	19-20

WARNINGS

Warning: Changes or modifications to this device not expressly approved by Yale Security, Inc. could void the user's authority to operate the equipment.

IMPORTANT: The accuracy of the door preparation is critical for the proper functioning and security of this product. Misalignment can cause performance degradation and a lessening of security.

Finish Care: This lockset is designed to provide the highest standard of product quality and performance. Care should be taken to ensure a long-lasting finish. When cleaning is required use a soft, damp cloth. Using lacquer thinner, caustic soaps, abrasive cleaners or polishes could damage the coating and result in tarnishing.

FCC:

FCC ID: U4A-YRHCPZW0 (Z-Wave); U4A-YRHCPZB0 (Zigbee)

Model(s): YRD210-ZW, YRD210-ZB

This equipment has been tested and found to comply with the limits for a Class B digital device, pursuant to Part 15 of the FCC Rules. These limits are designed to provide reasonable protection against harmful interference in a residential installation. This equipment generates, uses, and can radiate radio frequency energy and, if not installed and used in accordance with the instructions, may cause harmful interference to radio communications. However, there is no guarantee that interference will not occur in a particular installation. If this equipment does cause harmful interference to radio or television reception, which can be determined by turning the equipment off and on, the user is encouraged to try to correct the interference by one or more of the following measures:

- Reorient or relocate the receiving antenna.
- Increase the separation between the equipment and receiver.
- Connect the equipment into an outlet on a circuit different from that to which the receiver is connected.
- Consult the dealer or an experienced radio/TV technician for help.

Industry Canada:

Canadian ID: 6982A-YRHCPZW0 (Z-Wave); 6982A-YRHCPZB0 (Zigbee)

This Class B digital apparatus meets all requirements of the Canadian Interference Causing Equipment Regulations. Operation is subject to the following two conditions: (1) this device may not cause harmful interference, and (2) this device must accept any interference received, including interference that may cause undesired operation.

Cet appareillage numérique de la classe B répond à toutes les exigences de l'interférence canadienne causant des règlements d'équipement. L'opération est sujette aux deux conditions suivantes: (1) ce dispositif peut ne pas causer l'interférence nocive, et (2) ce dispositif doit accepter n'importe quelle interférence reçue, y compris l'interférence qui peut causer l'opération peu désirée.

For the U4A-YRHCPZB0 and 6982A-YRHCPZB0, the following statement applies:

"This equipment complies with FCC/IC radiation exposure limits set forth for an uncontrolled environment. This equipment should be installed and operated with minimum distance 20cm between the radiator and your body. This transmitter must not be co-located or operating in conjunction with any other antenna or transmitter."

Section 7.1.2 of RSS-GEN Under Industry Canada regulations, this radio transmitter may only operate using an antenna of a type and maximum (or lesser) gain approved for the transmitter by Industry Canada. To reduce potential radio interference to other users, the antenna type and its gain should be so chosen that the equivalent isotropically radiated power (e.i.r.p.) is not more than that necessary for successful communication.

En vertu des règlements d'Industrie Canada, cet émetteur radio ne peut fonctionner avec une antenne d'un type et un maximum (ou moins) approuvés pour gagner de l'émetteur par Industrie Canada. Pour réduire le risque d'interférence aux autres utilisateurs, le type d'antenne et son gain doivent être choisis de façon que la puissance isotrope rayonnée équivalente (PIRE) ne dépasse pas ce qui est nécessaire pour une communication réussie.

Section 7.1.3 of RSS-GEN This Device complies with Industry Canada License-exempt RSS standard(s). Operation is subject to the following two conditions: 1) this device may not cause interference, and 2) this device must accept any interference, including interference that may cause undesired operation of the device.

Cet appareil est conforme avec Industrie Canada RSS standard exemptes de licence(s). Son fonctionnement est soumis aux deux conditions suivantes: 1) ce dispositif ne peut causer des interférences, et 2) cet appareil doit accepter toute interférence, y compris les interférences qui peuvent causer un mauvais fonctionnement du dispositif.

INTRODUCTION

The Yale Real Living™ Stand-alone Push Button Deadbolt Lock combines a robust lockset with a contemporary electronic aesthetic.

Users benefit from a push button keypad that makes day-to-day access effortless for simple updates to user information in the event of staffing changes or security breaches. Yale Real Living™ is engineered for quick and easy installation and fits in place of a standard deadbolt lock door prep (ANSI/BHMA A156.115).

If this is an RF-enabled network lock, it needs to be located within 30 - 50 feet of another network controller or a repeating device. That distance is influenced by objects between the lock and the controller and may be expanded depending on proximity to other RF network devices. Also, if the lock is connected to a network controller, it is recommended that it is programmed through the centralized user interface (PC or hand-held device) to ensure communication between the lock and the controller unit.

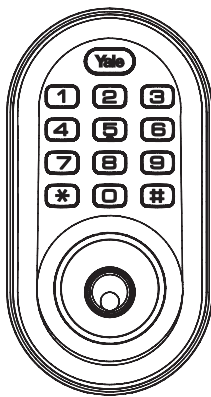
INSTALLATION

COMPONENTS AND TOOLS

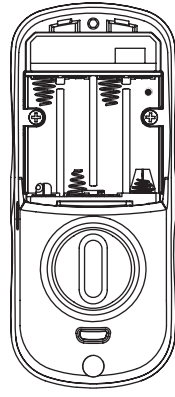
Included in the box . . .

- | | | |
|--|--|---------------------------------------|
| <input type="checkbox"/> Quick Start Guide | <input type="checkbox"/> Inside Escutcheon | <input type="checkbox"/> Bolt |
| <input type="checkbox"/> Installation Instructions | <input type="checkbox"/> Inside Mounting Plate | <input type="checkbox"/> Strike Plate |
| <input type="checkbox"/> Door Marker | <input type="checkbox"/> Battery Cover | <input type="checkbox"/> Screw Pack |
| <input type="checkbox"/> Outside Escutcheon | <input type="checkbox"/> 4 AA Alkaline Batteries | <input type="checkbox"/> Keys |

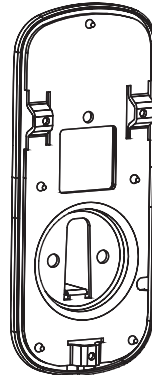
Parts Illustrations



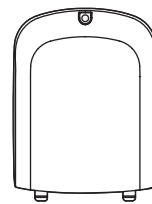
Outside Escutcheon



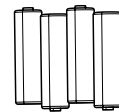
Inside Escutcheon



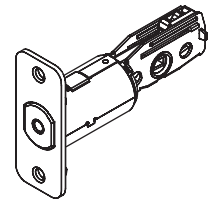
Inside Mounting Plate with Gasket
(back of Inside Escutcheon)



Battery Cover



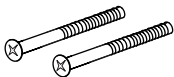
4 AA Alkaline Batteries



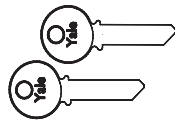
Bolt



Strike Plate



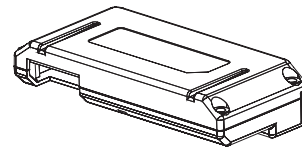
(2) Through bolts



Keys



(3) Inside Escutcheon Mounting screws



Network Module (Optional)



(4) Bolt & Strike Plate Mounting Screws

Tools Needed

Door Prep

- 2-1/8" (54mm) hole saw
- 1" (26mm) boring bit
- 7/64" (2.5mm) drill bit
- Chisel & hammer

Lock Installation

- #2 Phillips screwdriver

PREPARE LOCK FOR INSTALLATION

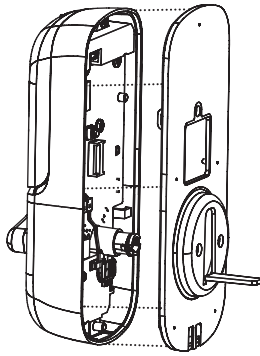
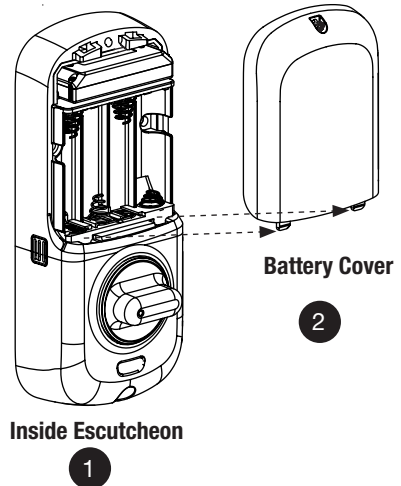
Unpack the Lock

The lock is packed representative of how it will install on the door.

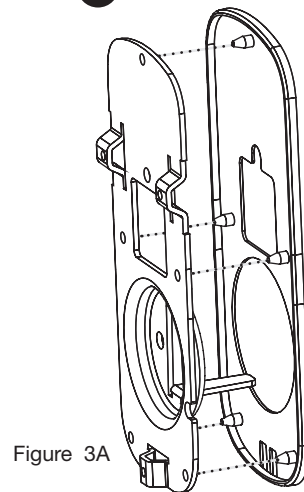
Before installing the lock on the door:

A. Inside escutcheon

1. Loosen the screw (Phillips #2) holding the battery cover. (The screw remains attached to the battery cover)
2. Slide the battery cover up and out (note the two tabs at bottom of battery cover).
3. Remove the inside mounting plate (with gasket) from the back (door side) of the inside escutcheon.

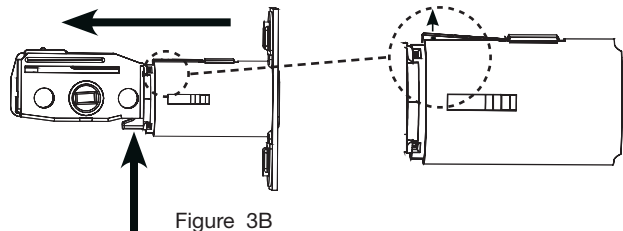


- a. Ensure that gasket on Inside Mounting Plate is properly fitted. Note the positioning of the gasket's five rubber nubs (Figure 3A).

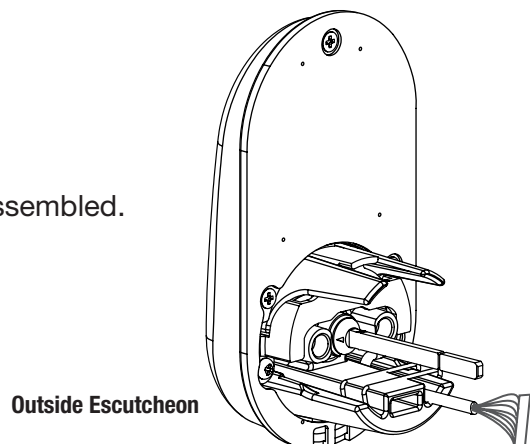


B. Bolt

Note: Bolt ships with backset in 2-3/8" position. If required, press small black button on underside of bolt and pull to extend to 2-3/4" backset position (Fig. 3B).



- C. The outside escutcheon (with gasket) remains assembled.



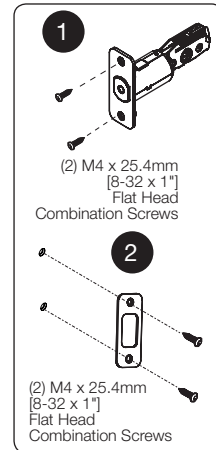
INSTALL LOCK

1. Install bolt in door.

NOTE: The bolt must be in a retracted (unlocked) position when installing the lockset.

Attach with (2) M4 x 25.4mm [8-32 x 1"] screws supplied.

2. Install strike on the door frame, making sure to allow for the bolt to be centered in the strike.



3. Install outside escutcheon.

As you position the outside escutcheon, route the cable through 2-1/8" diameter hole (Figure 3A).



NOTE: Cable goes **under** bolt (see Fig. 3B).

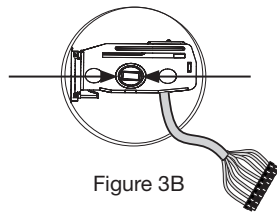


Figure 3B

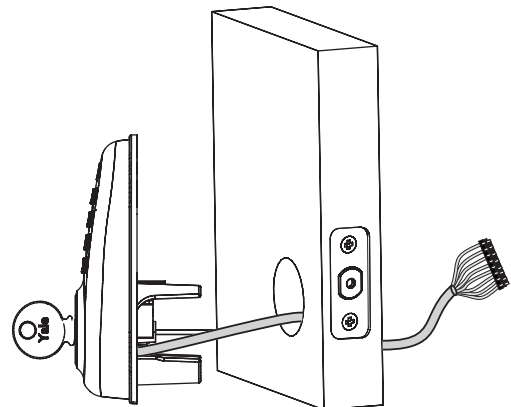
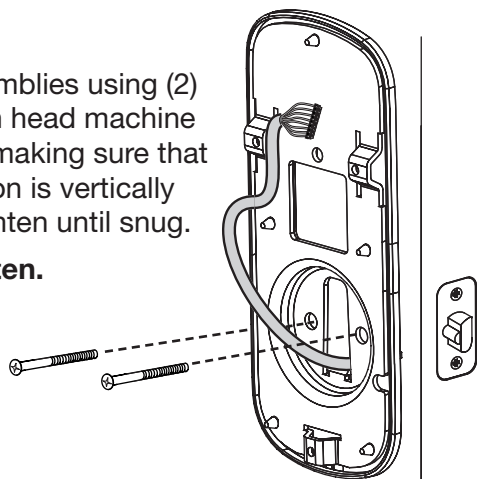


Figure 3A

4. Holding the outside escutcheon flush to the door, position the inside mounting plate by first routing the wire harness through the mounting plate's 1/2" hole (Fig. 4A), then inserting mounting plate "tongue" into groove at bottom of outside escutcheon.

5. Secure both assemblies using (2) M6 x 59.5mm pan head machine screws (Fig. 4B), making sure that outside escutcheon is vertically aligned. Hand-tighten until snug.

Do not over-tighten.



Inside of Door

Figure 4B

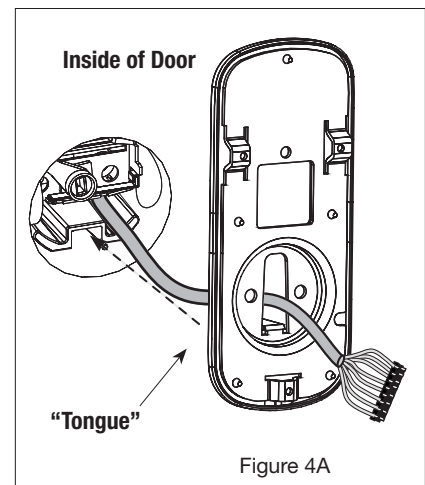


Figure 4A

CAUTION:

Position and bend cable, using care when assembling to ensure that the cable lies against the back recessed area of the inside escutcheon.

Use the cable hook (Note label on circuit board) as shown in Figures 6A & 6B to prevent binding when installing the escutcheon over the mounting plate.

- 6. Attach cable assembly connector to the inside escutcheon PC board by lining up notches on top of cable connector to slots on PCB connector (Fig. 6B).

NOTE: Connector should be pressed in firmly using thumbs until completely seated.

Proper position is indicated by arrows on PCB as in Figures 6A, 6B and 6C.

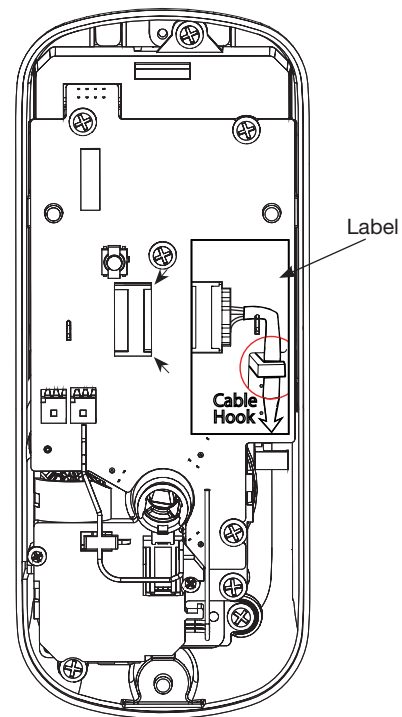


Figure 6A

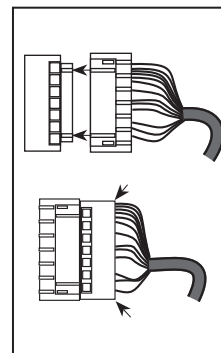


Figure 6B

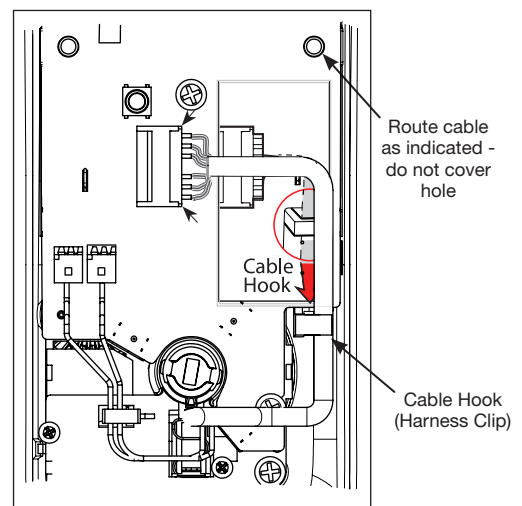


Figure 6C

8. Install inside escutcheon on inside mounting plate. Note the horizontal orientation of the tailpiece (Fig. 7) as you insert the inside escutcheon (thumbturn should be vertical).

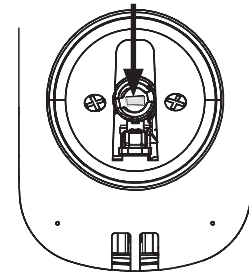


Figure 7

9. Install and secure using (3) M4 x 8mm [8-32 x 5/16"] pan head screws through the inside escutcheon into the mounting plate (Fig. 8).

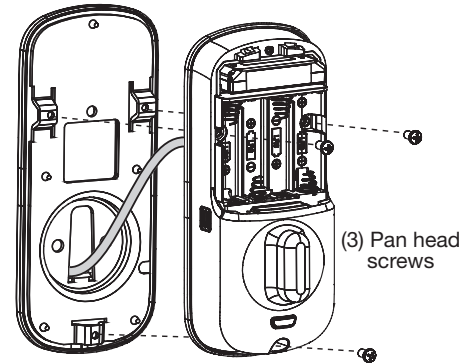


Figure 8



IMPORTANT: Before installing the batteries, test the **mechanical** operation of the lock by using both thumbturn and the key. The movement of the bolt should be smooth and unobstructed. If operation is not smooth, review the previous steps to ensure proper installation.

NOTES: The bolt must be in a retracted (unlocked) position prior to installing the batteries.

Refer to programming instructions prior to completion of the next step (Step 10).

10. Insert four (4) AA alkaline batteries. The lock responds with a series of beeps, a red/blue flash and a quick flash of all keypad LEDs. When activating the lock for the first time, the lock will adjust for proper handing.
11. Install battery cover and tighten Phillips head screw.

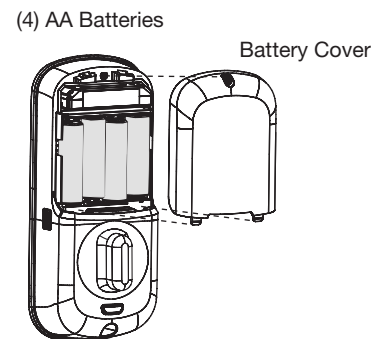


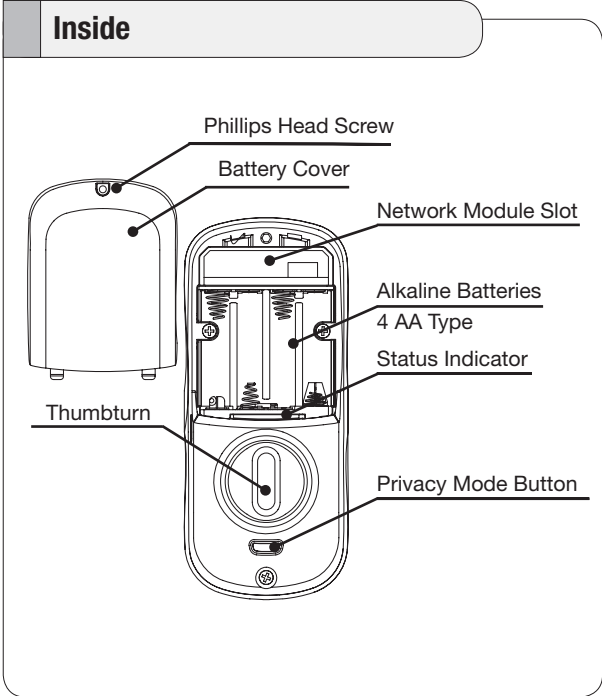
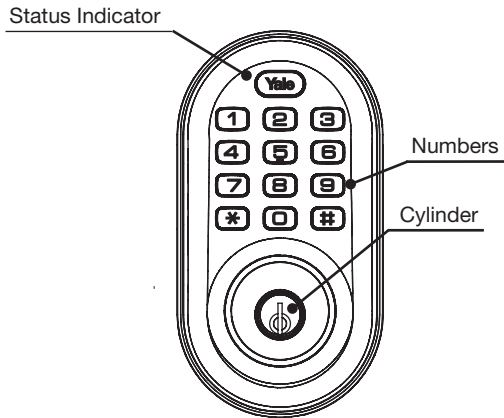
Figure 9

PROGRAMMING

Programming Features-Menus-Keys-Definitions 9-10
 Operation 11-14

PROGRAMMING FEATURES - MENUS - KEYS - DEFINITIONS

Outside



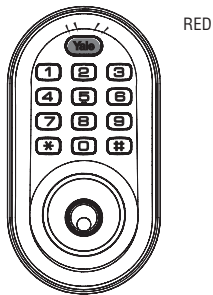
***A unique Master PIN Code must be entered (registered) prior to any further programming of the lock. (See section on page 11 "Register Master PIN Code Before Programming")**

Menu and Icons Used in This Guide

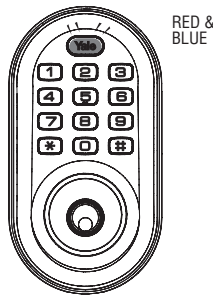
	Click the indicated number.		Enter Master PIN code (4-8 digits in length).
	Press the Star key on the keypad to Enter or Accept entry.		Enter User PIN. Can be 4-8 digits in length.
	Press the Pound key on the keypad to enter Menu mode.		User Number (1 - 25); RF Controlled (1 - 250).

Status Indicators

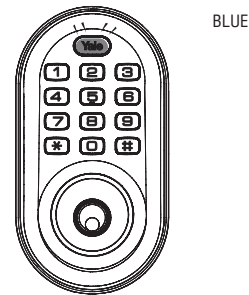
1 Low Battery Warning



2 Lock-out Mode



3 Enter the Menu Mode



Definitions

All Code Lockout Mode: This feature is enabled by the Master code. When enabled, it restricts all user (except Master) PIN code access. When attempting to enter a code while the unit is in Lockout, the Status Indicator flashes RED and BLUE (8 times); the keypad flashes as well.

Audio Mode: Choosing **Disable (3)** in Audio mode shuts off the code confirmation tone playback for use in quiet areas. Audio mode is enabled or disabled through feature programming by the Master PIN code.

Automatic Re-lock Time: After successful code entry and the unit unlocks, it will automatically re-lock after a default of thirty (30) seconds. Re-lock time is adjustable* from 10 - 180 seconds.

Inside Indicator Light: Shows active status (Locked) of lock and can be enabled or disabled in the **Advanced Lock Settings** (Main Menu selection #3).

Low Battery: When battery power is low, the Status Indicator flashes RED. If battery power is completely lost, use the key override.

Master PIN Code: The Master PIN code is used for programming and for feature settings. It **must be registered prior to programming the lock**. The Master code will also operate (unlock/lock) the lock.

Network Module Setting: With the optional Network Module installed, this setting becomes available through the Main Menu (7) and allows the lock to connect with a network controller.

One Touch Locking: When the latch is retracted, activating the keypad will extend the latch (during Automatic Re-lock duration or when Automatic Re-lock is disabled).

Privacy Mode Button: Pressing and holding the Privacy button (found below thumbturn) for a duration of four beeps deactivates the keypad, and because it is set from the inside, provides a secure lock for the convenience of the occupant(s).

Shutdown Time: The unit will shutdown for a default of sixty (60) seconds (time is adjustable* from 10 - 180 seconds) and not allow operation after the wrong code entry limit (see below) has been met. When the unit is in Shutdown, the Status Indicator flashes RED and BLUE; the keypad flashes as well.

Tamper Alert: Audible alarm sounds if attempting to forcibly remove outside lock from door.

User PIN Code: The User code operates the lock. Maximum number of user codes is 250 with Network Module; without Network Module, maximum is 25 user codes.

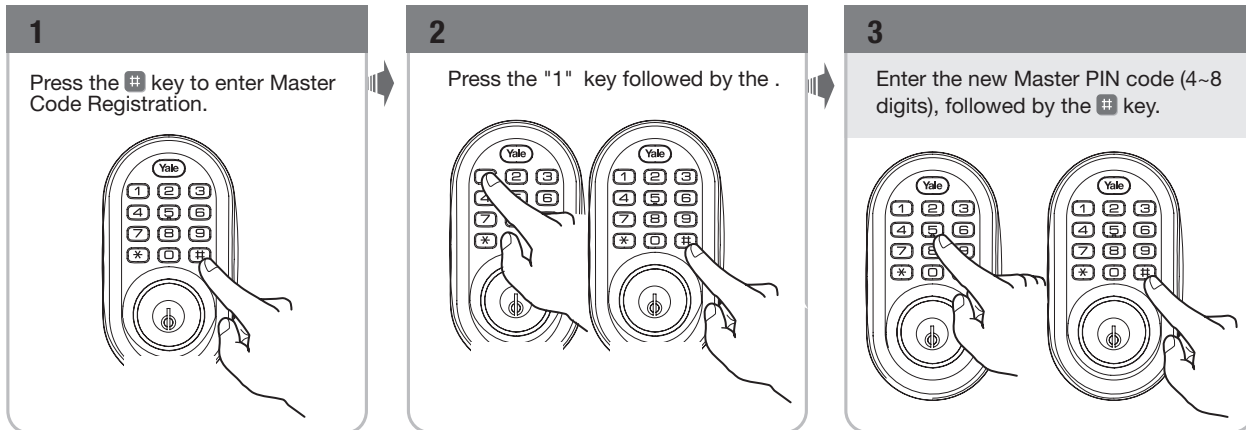
Wrong Code Entry Limit: After a specified number of unsuccessful attempts at entering a valid PIN code the unit will shut down and not allow operation. Default setting is (5). Limit is adjustable* from one (1) to ten (10) times.

*Adjustable only when using Network Module with compatible integrated controller

OPERATION

Register Master PIN Code Before Programming*

1. Press the **#** key to enter **Master PIN Code Registration**.
2. Press the **1** key followed by the **#** key.
3. Enter a unique 4-8 digit Master PIN code followed by the **#** key.



PIN code structure

Maximum number of user codes is 250 with Network Module; without Network Module, maximum is 25 user codes.

Set Up User Codes

User Codes can only be programmed through the Master Code.

1. Enter the 4-8 digit Master PIN code followed by the **#** key.
2. Press the **2** key followed by the **#** key.
3. Press the **1** key followed by the **#** key.
4. Enter the User number to be registered (1-25) followed by the **#** key.
5. Enter a 4-8 digit PIN code for the User number followed by the **#** key.

Note: When registering User codes, the code must be entered within 20 seconds. If time expires, no codes are registered and the process must be re-started.

Protect your privacy; always shield your PIN code entry.

To reset the lock to factory default, see the following:

Reset Lock to Factory Default

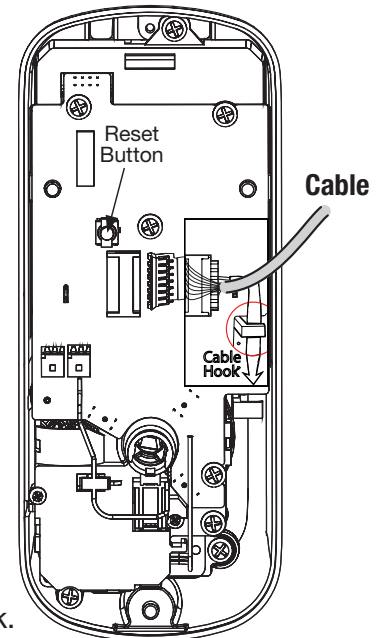
The following procedure returns the lock to its factory defaults by deleting all user codes (**including the Master PIN code***) and returning all programming features to their original default settings (see below).

1. Remove the batteries and then remove the interior escutcheon to access the reset button.
2. The reset button (see image at right) is located above the PCB cable connector.
3. Hold down the reset button for a minimum of 3 seconds and then reinstall the batteries; once the batteries are properly installed, release the reset button.

All features, including adjustable settings** (see below) should now be returned to factory default.

*Upon reset, Master Code Registration is the only option available and **must be performed** prior to any other programming of the lock.

See "**Operation**" in this manual for programming instructions.



Inside Escutcheon

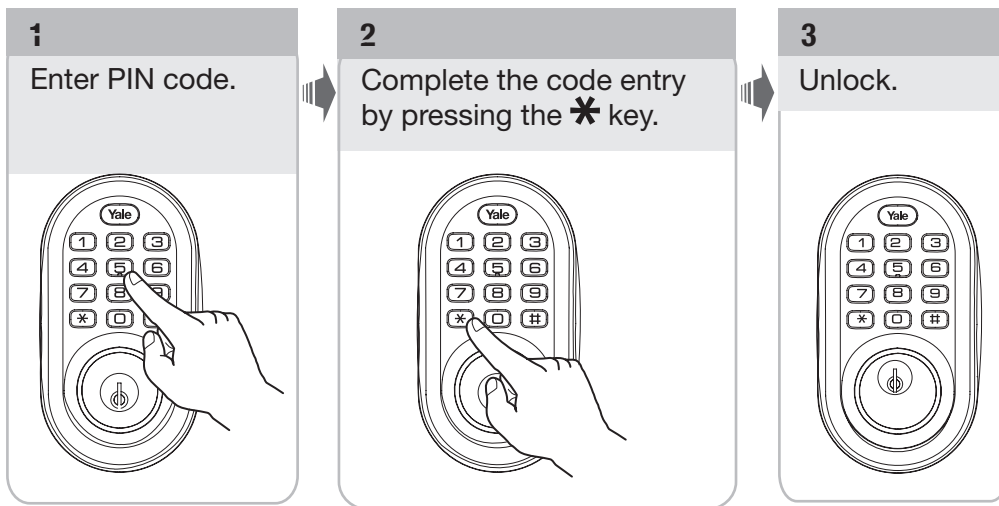
Factory Default Settings

Settings	Factory Default
Master PIN Code	Registration <i>required*</i>
Automatic Re-lock	Disabled
Inside Indicator Light	Disabled (Off)
One Touch Locking	Enabled
Audio	Enabled
Privacy Mode	Disabled
Automatic Re-lock Time	**30 Seconds
Wrong Code Entry Limit	**5 Times
Shutdown Time	**60 Seconds

*The Master PIN code must be registered prior to any other programming of the lock

**Adjustable only when using Network Module with compatible integrated controller

Open Door with PIN Code



Privacy Mode vs. All Code Lockout Mode

- All Code Lockout is a Menu feature (6) that restricts Pin code access (except Master).
- Privacy mode is set by pressing and holding the privacy button (found below thumbturn) for a duration of four beeps. This deactivates the keypad and sound, and because it is set from the inside, provides a secure and silent lock for the convenience of the occupant(s).

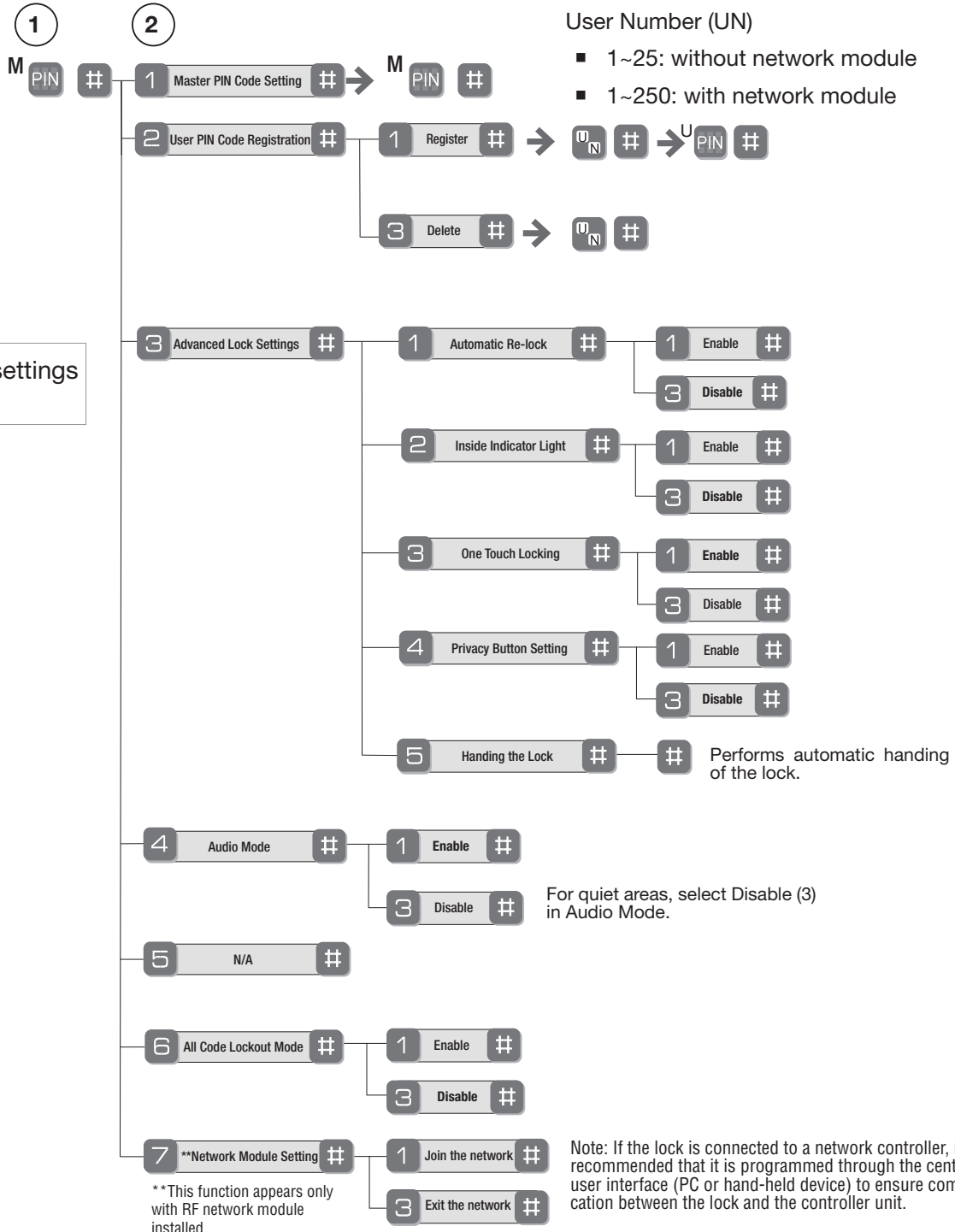
Both features can be enabled or disabled from the Main Menu.

Feature Programming Through Menu Mode Using Master PIN code*

1. Enter the 4-8 digit Master PIN code followed by the **#** key.
2. Enter digit corresponding to the function to be performed followed by the **#** key.

Note: If the lock is connected to a network controller, it is recommended that it is programmed through the centralized user interface (PC or hand-held device) to ensure communication between the lock and the controller unit.

*The Master PIN code must be registered prior to any other programming of the lock.



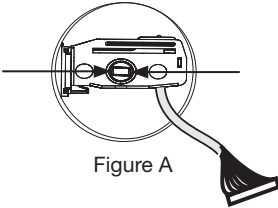
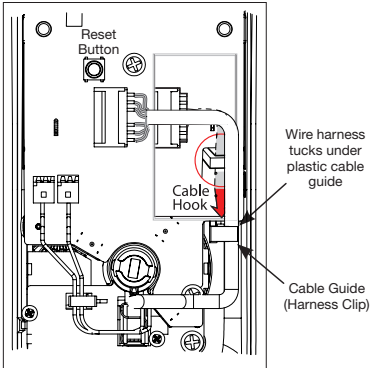
MISCELLANEOUS

Hardware Troubleshooting..... 15
 Programming Troubleshooting 16
 Installing the Network Module 17
 Replace/Install Cylinder 18
 Sample Pin Code Management Sheets 19-20

TROUBLESHOOTING

Hardware Troubleshooting

Cycle the lock in both the locked and the unlocked positions. If problems are found:

Symptom	Suggested Action
Door is binding	a. Check that door and frame are properly aligned and door is free swinging. b. Check hinges: They should not be loose or have excessive wear on knuckles.
Bolt will not deadlock	a. Check for sufficient clearance of the bolt within the strike-side jamb. Correct this by increasing the depth of the pocket for the bolt. b. Check for misalignment of bolt and/or strike which may be preventing bolt from properly entering the strike. With the door open, extend and retract the bolt; if it is smooth, check the strike alignment.
Bolt does not extend or retract smoothly	a. Bolt and strike are misaligned, see above. b. Check the backset of door relative to adjustments already made to bolt. c. Verify proper door preparation and re-bore holes that are too small or misaligned. d. Verify keypad wire harness is routed under the bolt (see Fig. A). e. Verify bolt is installed with correct side up (Fig. A). <div style="text-align: center;">  <p>Figure A</p> </div>
Keypad numerics are scrolling	Remove interior escutcheon and check to ensure that the wire harness lies flat against the back recessed area and is properly routed along the side of the escutcheon and tucked under the plastic cable guide. <div style="text-align: center;">  </div>

Programming Troubleshooting

Symptom	Suggested Action
Lock does not respond – door is open and accessible.	<ul style="list-style-type: none"> Press each keypad button to see if they respond when pressed. Check batteries are installed and oriented correctly (polarity) in the battery case. Check batteries are in good condition; replace batteries* if discharged. Check to see if cable is fully connected and not pinched.
Lock does not respond – door is locked and inaccessible.	<ul style="list-style-type: none"> Lock may be in Privacy mode (set from inside room). Key will grant access. Batteries may be completely discharged. Use mechanical key to gain entry and replace batteries*.
Unit chimes to indicate code acceptance, but the door will not open.	<ul style="list-style-type: none"> Check to see if there is another locking device on the door. Check the door gaps for any foreign objects between door and frame. Check that the cable is firmly connected to the PC board.
Unit operates to allow access, but will not automatically re-lock.	<ul style="list-style-type: none"> Check to see if Auto Re-lock Mode is enabled. Disable Auto Re-lock Mode to lock the door (automatically). If low battery indicator is lit (see below), change batteries*.
PIN codes will not register.	<ul style="list-style-type: none"> PIN codes must consist of 4 to 8 digits to register. The same PIN code cannot be used for multiple users. Registration/management of PIN codes is set by the authority of the Master Code. Contact the Master user. User codes must be entered within 5 seconds or the process will have to be restarted. The star * (*) or pound # (#) cannot be used as part of the PIN code.
Upon entering a PIN code and pressing the star (*) key, the lock gives a series of beeps, flashes red and blue LEDs seven times, and does not unlock.	<ul style="list-style-type: none"> All Code Lockout Mode is enabled. Only the Master can enable/disable All Code Lockout Mode. Contact the Master user.
Upon entering a PIN code and pressing the (*) key, there are different tones.	<ul style="list-style-type: none"> Check to see if the lock is set to All Code Lockout Mode. Setting/managing All Code Lockout Mode is done through Master Code only. Contact the Master user.
The unit operates, but it makes no sound.	<ul style="list-style-type: none"> Enable Audio Mode.
The unit displays intermittent RED flashes.	<ul style="list-style-type: none"> This is the Low Battery indicator alerting that it is time to replace the batteries. Replace all four (4) batteries* with new AA Alkaline batteries.
Upon entering a PIN code and pressing the star (*) key, the unit responds with a series of beeps and the keypad flashes three times.	<ul style="list-style-type: none"> The digits entered were incorrect or incomplete. Re-enter the correct code followed by the star * key.

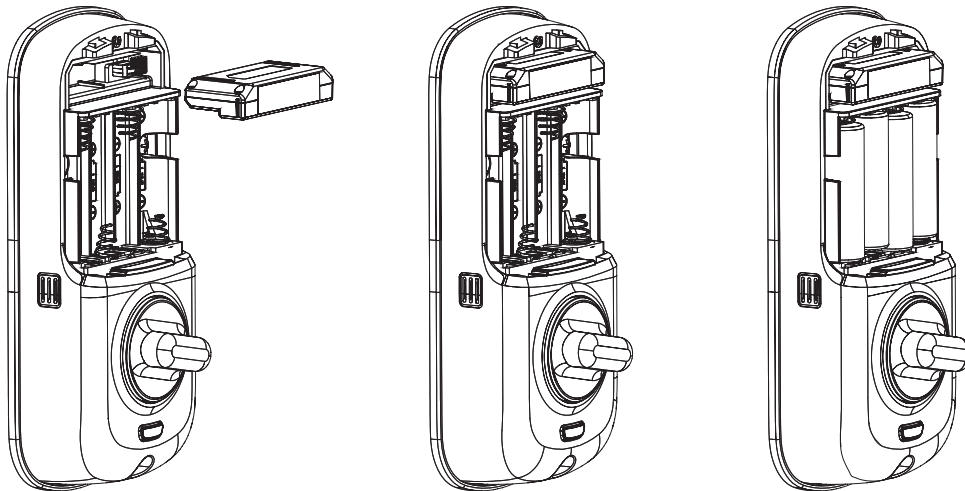
* When batteries are replaced, Network Module locks have a real time clock that will be set through the User Interface (UI); it is recommended to verify correct date and time particularly those locks operating under Daylight Saving Time (DST).

** Network Module locks only

Installing the Network Module

IMPORTANT: The batteries must be removed prior to removing and/or inserting the network module:

- Remove battery cover
- Remove batteries
- Remove and/or insert network module
- Reinstall batteries



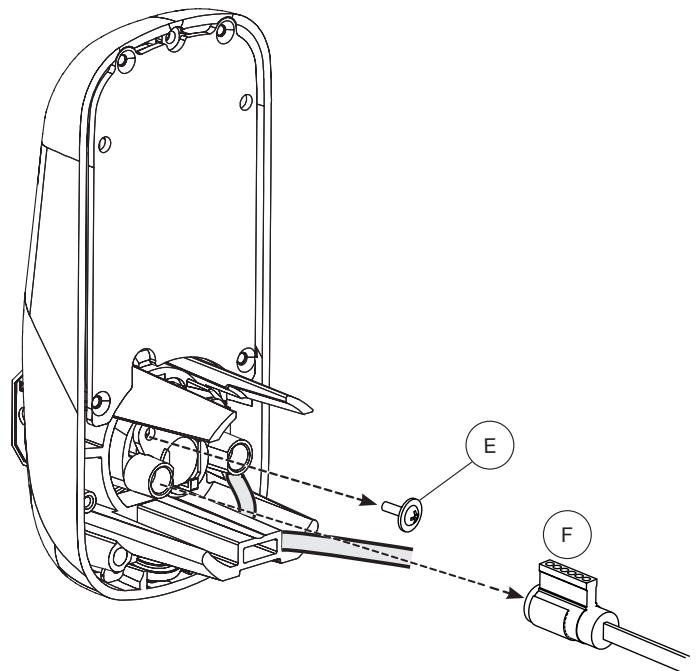
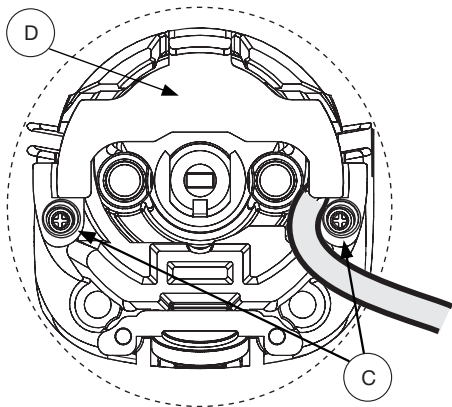
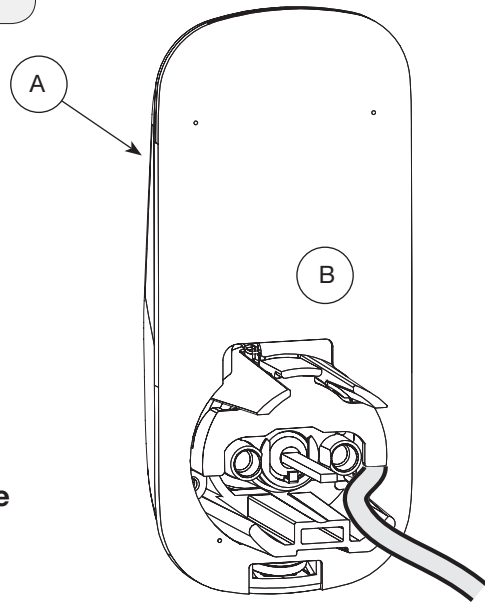
Use feature programming step 7 (page 12) for enrollment of the Network Module.

How to Replace or Install Cylinder

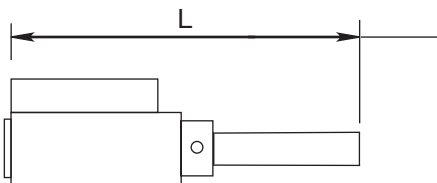
1. Remove cylinder:
 - A. Remove outside escutcheon from door.
 - B. Remove rubber gasket.
 - C. Remove two screws holding plastic guide in place.
 - D. Remove plastic guide.
 - E. Remove screw with washer holding cylinder in place (visible after plastic guide is removed).
 - F. Remove cylinder housing by pulling towards the door side of escutcheon.

Before installing cylinder, please be sure you have correct length tailpiece.

2. Install new cylinder:
 - A. Reverse previous steps for removing cylinder.

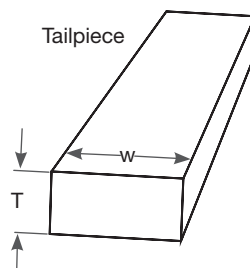


Cylinder and tailpiece information:



1-3/8" to 2" thick doors, L = 3-1/2" (88.8mm)
 2" to 2-1/4" thick doors, L = 3-3/4" (95.3mm)

**Requires addition of Thin Door Kit.*



T = .098" (2.5mm)
 W = .2" (5.2mm)

PIN CODE MANAGEMENT SAMPLE SHEETS

PIN Code Management (No Network Module - Up to 25 Users)

Location:		Door Number:		User	User Name	User #	PIN Code
User Type	User Name	User #	PIN Code				
Master				User 13			
User 1				User 14			
User 2				User 15			
User 3				User 16			
User 4				User 17			
User 5				User 18			
User 6				User 19			
User 7				User 20			
User 8				User 21			
User 9				User 22			
User 10				User 23			
User 11				User 24			
User 12				User 25			

ONLINE LITERATURE AND TEMPLATES

For the latest information on Yale products visit our website at www.yalelocks.com. Click on the “Literature” button to find the most up-to-date catalogs, parts manuals, templates, specifications and installation instructions.



Scan this code to view installation videos for this and other *Yale Real Living* products.

Yale Locks & Hardware

100 Sargent Drive, New Haven, CT 06511 • Product Support Tel 800.810.WIRE (9473) • www.yalelocks.com

Yale Locks & Hardware is a division of Yale Security Inc., an ASSA ABLOY Group company.

Yale® is a registered trademark of Yale Security Inc., an ASSA ABLOY Group company. All rights reserved. Yale Real Living™ is a trademark of Yale Security Inc., an ASSA ABLOY Group company.

Copyright © 2011, Yale Security Inc., an ASSA ABLOY Group company. All rights reserved. Reproduction in whole or in part without express written permission of Yale Security Inc., an ASSA ABLOY Group company is prohibited.

YALE, with its unique global reach and range of products, is the world's favorite lock — the preferred solution for securing your home, family and personal belongings.

ASSA ABLOY is the global leader in door opening solutions, dedicated to satisfying end-user needs for security, safety and convenience.

Free Manuals Download Website

<http://myh66.com>

<http://usermanuals.us>

<http://www.somanuals.com>

<http://www.4manuals.cc>

<http://www.manual-lib.com>

<http://www.404manual.com>

<http://www.luxmanual.com>

<http://aubethermostatmanual.com>

Golf course search by state

<http://golfingnear.com>

Email search by domain

<http://emailbydomain.com>

Auto manuals search

<http://auto.somanuals.com>

TV manuals search

<http://tv.somanuals.com>