

Ariens

Emperor

ASSEMBLY

1. STEERING WHEEL

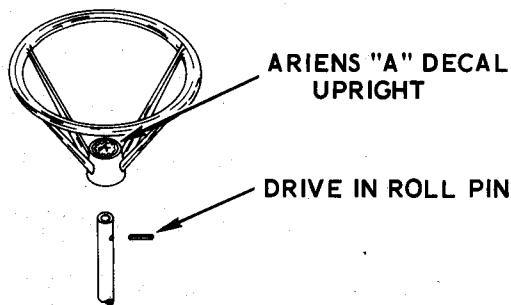


Figure 1

2. MOWER ATTACHMENT (Model 925009 only)

The 38" pan is shipped on a skid and is packed under the Emperor. Remove the tractor and mower pan from the skid and install as follows:

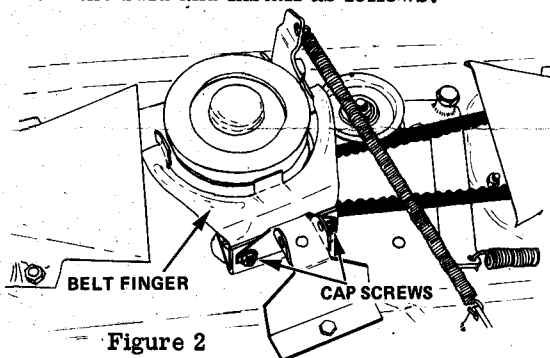


Figure 2

a. Remove the belt finger from the mower pan by loosening the two cap screws. See Figure 2.

b. Place the wooden skid upside down on the floor. Place the mower pan on the skid and place the tractor along side the pan. Install belt around mower sheave and replace belt finger. See Figure 3.

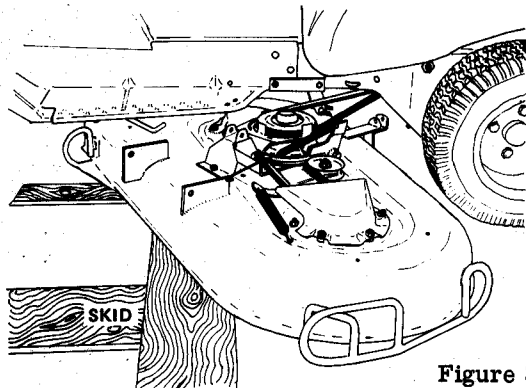


Figure 3.

c. Position mower under tractor using skid to hold pan up to attach linkages as follows: See fig. 4.

MODELS

925006, 925009, 925011 & 925012

ASSEMBLY AND PRE-SERVICE INSTRUCTIONS

d. Place mower height lever in low position. Install the front hanger pin through the front mower lift arm. Insert the mower engagement link and secure with a cotter pin.

e. Attach the mower blade brake chain to the brake chain anchor.

f. Install rear hanger pin through rear lift arm. Adjust belt and blade brake as described in paragraph 3 and 4 below.

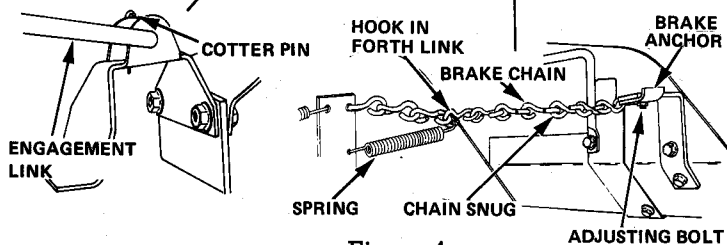
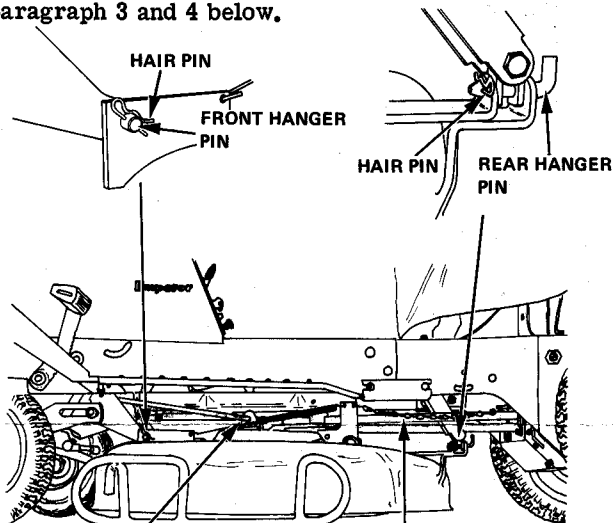


Figure 4

3. BELT ADJUSTMENT (Model 925009 only)

Place mower height lever in the mid-notch position. Tighten belt just enough to prevent slippage under load. Over-tightening belt will cause premature belt and bearing wear. See Figure 5.

DEPRESS SPRING CLIP WITH WRENCH AND TURN FOR BELT ADJUSTMENT. REPOSITION CLIP.

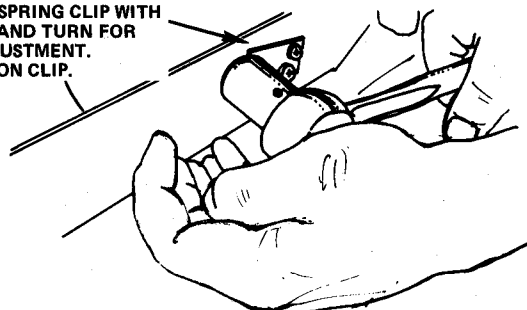


Figure 5

4. MOWER BRAKE ADJUSTMENT (Model 925008 only)

a. Move mower height adjustment lever to lowest cutting position.

b. Disengage mower blade. (Place lever in OUT position.)

c. Loosen adjustment bolt and adjust brake chain anchor until chain is snug without extending spring. See Figure 4.

d. Check adjustment. Engage mower clutch and check to see that the brake releases as belt begins to tighten in high and low positions. Disengage mower clutch. The brake should be engaged when height adjustment lever is in any position.

5. SEAT (Model 925011 only)

The seat for the Model 925011 Emperor is shipped with the hardware in place. Remove the four cap screws, washers and lockwashers from the bottom of the seat. Position the seat on the housing and fasten with the hardware. Adjust the seat to a comfortable position before tightening.

(Model 925006, 925009, 925012)

Adjust seat to comfortable position.

PRE-SERVICE

1. PUTTING BATTERY INTO SERVICE

a. Remove battery from unit as shown in Figure 6. Clip off the sealed end of the vent tube.

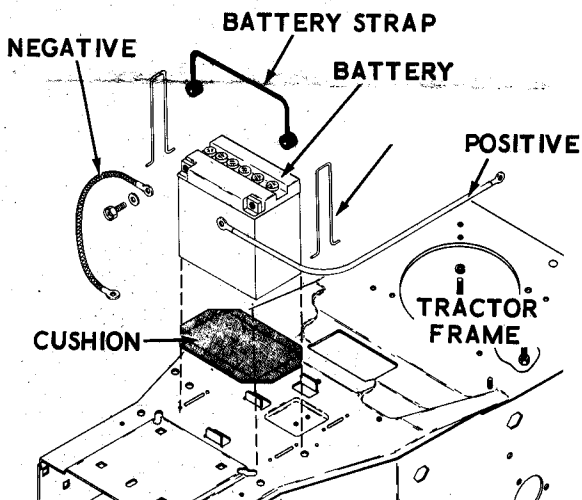


Figure 6

b. Remove vent plugs and fill cells to "upper level" with electrolyte having a 1.260 specific gravity and a temperature between 60 to 86 degrees Fahrenheit.

c. Allow battery to stand for approximately one-half hour. Check electrolyte level. Add additional electrolyte, if necessary, to bring to proper level.

d. Place on charge at approximately 1.2 amps. Charge until all cells are bubbling freely and the specific gravity is constant over three successive readings taken at 30 minute intervals. Approximate charging time is 10 hours.

e. After charging, add distilled water only to bring electrolyte to upper level.

f. Replace vent plugs. Wash off any electrolyte which has spilled on the outer surface of the battery.

g. Install battery and locate vent tube in retainer clip. See Figure 6.

2. GAS, OIL AND TIRES

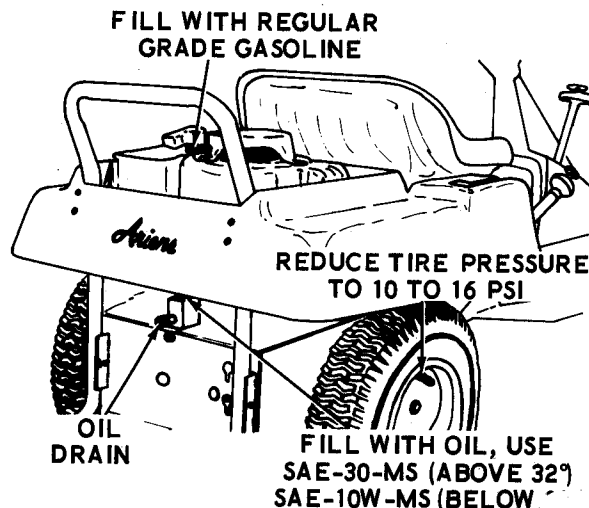


Figure 7

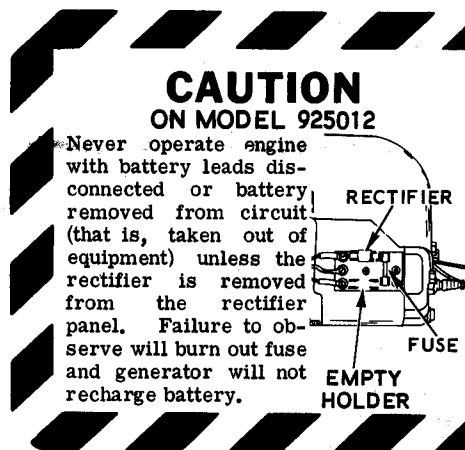


Figure 8

Fill out pre-warranty registration card and mail to Ariens Company. Warranty will only be registered under the model and serial number found on the serial number tag and also stamped into the frame of the unit. Do not give engine or mower pan model and serial numbers.

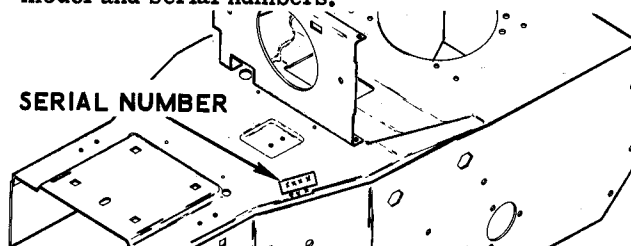


Figure 9

Instruct the customer thoroughly on how to operate the mower. Point out all safety precautions as outlined in the operator's manual. Instruct the customer to read the operating instructions, the engine manual and the mower safety handbook before operating.

SAFETY MESSAGE

The product for which you have requested information or replacement parts is not a current product. The replacement models incorporate product designs, safety features, safety instructions or warnings which represent the latest "State Of The Art" developments. For your safety and those around you please contact your nearest Ariens/Gravely Dealer for a demonstration of the current product safety provisions and features.

Free Manuals Download Website

<http://myh66.com>

<http://usermanuals.us>

<http://www.somanuals.com>

<http://www.4manuals.cc>

<http://www.manual-lib.com>

<http://www.404manual.com>

<http://www.luxmanual.com>

<http://aubethermostatmanual.com>

Golf course search by state

<http://golfingnear.com>

Email search by domain

<http://emailbydomain.com>

Auto manuals search

<http://auto.somanuals.com>

TV manuals search

<http://tv.somanuals.com>