



ARISTON

ANDRIS RS ELECTRIC MINITANK WATER HEATER

2½, 4 & 8 GALLONS



INSTALLATION IS A BREEZE! All that is required is a cold water line and an electrical connection to install the water heater at the sink. The versatility of this unit allows it to be used for a small amount of water or connected in line with a main water heater for instantaneous hot water.

POINT OF USE TANK

- ▶ Durable Titanium Glass-Lined Tank
- ▶ 2½ Gal. & 4 Gal. Models have a Simple 120 VAC Plug-In for Easy Installation
- ▶ Instant Hot Water Upon Demand! Water is not Wasted While Waiting for Hot Water to Arrive from the Tank
- ▶ Wall or Floor Mounted (Wall Brackets & Rubber Feet included)
- ▶ Included Temperature/Pressure Relief Valve (Factory installed on the 2½ Gal. & 4 Gal. Units)
- ▶ Space Saving Compact Unit
- ▶ High Efficiency CFC Free Foam Insulation
- ▶ Eliminates the Need for a Recirculation Line
- ▶ Single Faucet or Booster Unit in a Water Heating System



TITANIUM PROTECTION



EXTERNAL
TEMPERATURE
REGULATION



TITANSHIELD



6 YEAR LIMITED
WARRANTY
2 YEAR PARTS



SUPER INSULATION
POLYURETHANE FOAM

ariston.com/usa

HOT WATER WHEREVER YOU NEED IT!

SINGLE FAUCET UNIT



- ▶ Remote Locations
- ▶ Single Water line
- ▶ Wall or Floor Mounted
- ▶ Eliminates the Need for a Recirculation Line
- ▶ Easy Installation

BOOSTER UNIT



- ▶ Improve Existing Capacity
- ▶ No Waiting Time
- ▶ Load Reduction
- ▶ Eliminates the Need for a Recirculation Line
- ▶ Built-In Redundancy

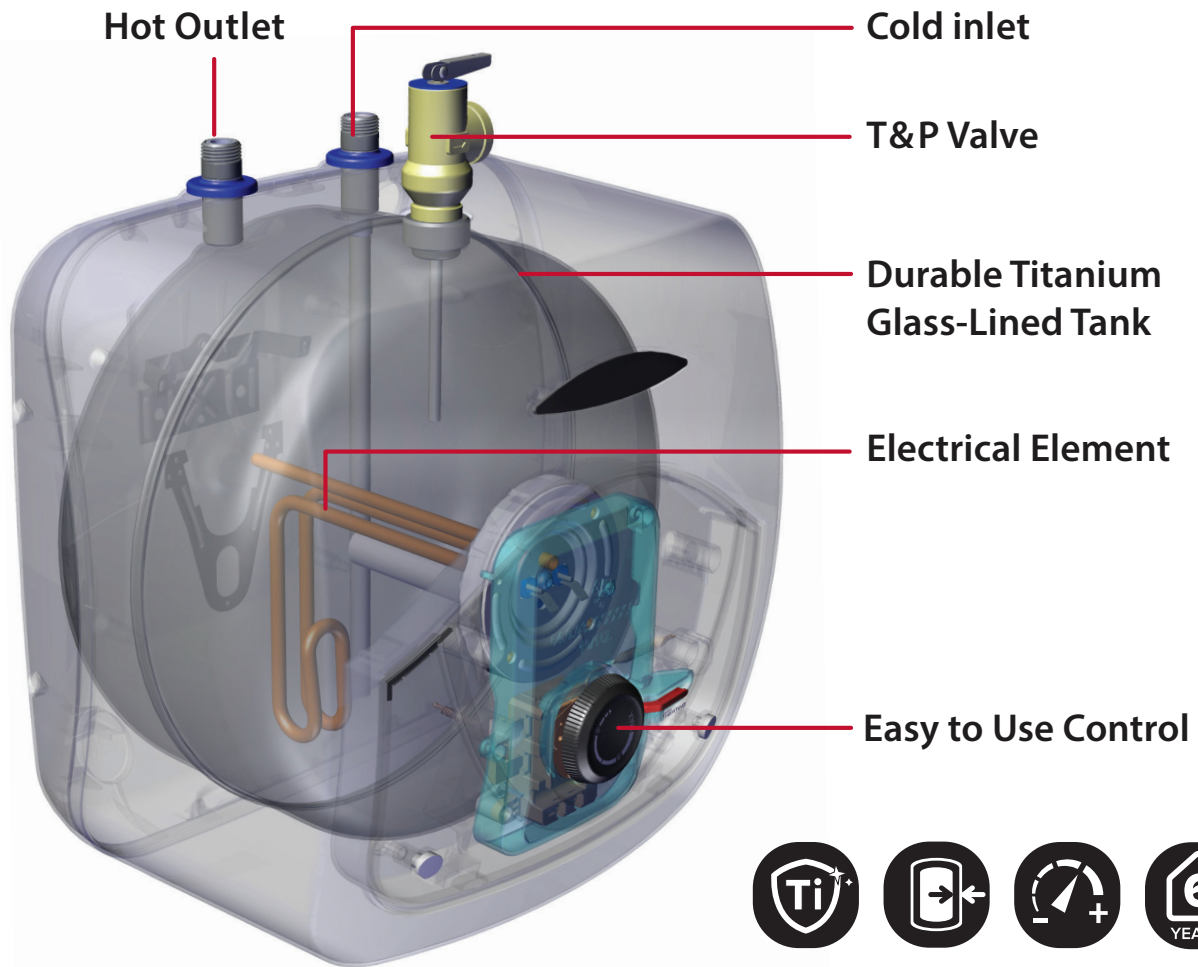


SINGLE FAUCET OR BOOSTER UNIT IN A WATER HEATING SYSTEM

This compact yet powerful hot water heater supplies instant hot water to even the most remote locations:

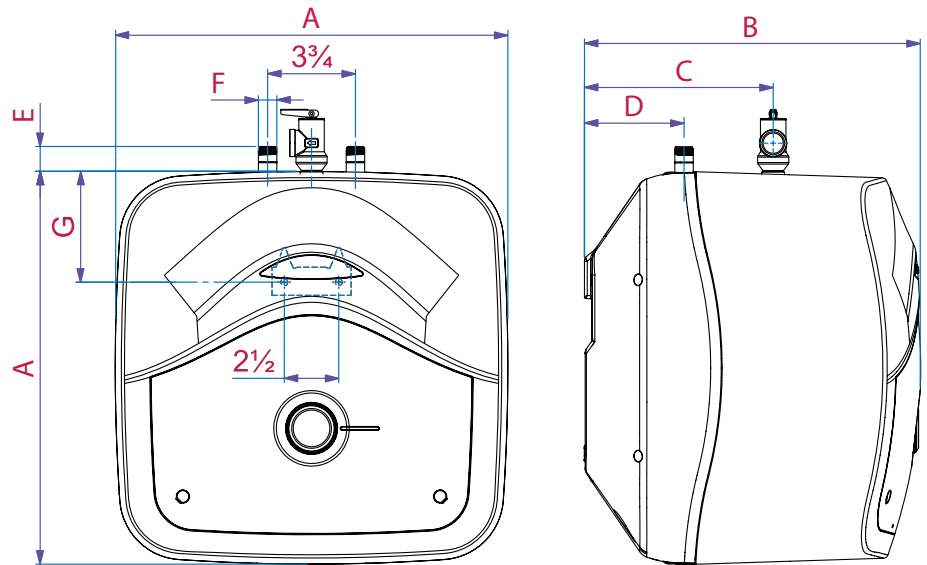
- ▶ Smaller/Second properties
- ▶ In-law Suites, Kitchenettes
- ▶ Sinks Located Far From Water Heater:
Pool Houses/Garages
- ▶ Supplemental Hot Water for High-Flow Fixtures
- ▶ Commercial Bathroom Sinks

A CLOSER LOOK



DIMENSIONS & SPECIFICATIONS

Model	2.5 Gal.	4.0 Gal.	8 Gal.
A	14 1/4"	14 1/4"	17 1/2"
B	10 3/4"	12 3/4"	15 1/4"
C	6"	7 1/2"	8 1/2"
D	3 1/2"	3 1/2"	4 1/2"
E	1"	1"	1 3/4"
F	1/2" NPT	1/2" NPT	3/4" NPT
G	5 3/4"	5 3/4"	6 1/2"



ANDRIS RS • ELECTRIC MINI TANK WATER HEATERS			
Model Number	ANDRIS RS 2.5U 1.4KW	ANDRIS RS 4U 1.4KW	ANDRIS RS 8U 1.4KW
Tank Capacity	2 1/2 gal.	4 gal.	8 gal.
Installation	Undersink Vert	Undersink Vert	Undersink Vert
Tank	Titanium Glass	Titanium Glass	Titanium Glass
Regulation Temp	Knob	Knob	Knob
Dimensions (pipes excluded)	14 1/4" W x 14 1/4" H x 10 3/4" D	14 1/4" W x 14 1/4" H x 12 3/4" D	17 1/2" W x 17 1/2" H x 15 1/4" D
Weight (empty)	15.5 lbs	17.6 lbs	29.5 lbs
Max Water Pressure	150 psi	150 psi	150 psi
Recovery Rate @ 90°F Rise (GPH)	6.8	6.8	6.8
Temperature Range	65 – 161°F	65 – 161°F	65 – 167°F
Water Connections	1/2" NPT	1/2" NPT	3/4" NPT 3/4" Nipple Adaptor Included
Relief Valve	Installed	Installed	Supplied
Nominal Voltage (1 phase)	110/120 Vac	110/120 Vac	110/120 Vac
Nominal Current	12 A	12 A	12 A
Power at 120 Vac	1,440 W	1,440 W	1,440 W
Recommended Circuit Breaker Size	15 A	15 A	15 A
Electrical Connection	Plug-in	Plug-in	Hard Wired

INSTALLATION

IDEAL FOR:

- Industrial Installations, Stores
Office Bathrooms and Hotel
Ancillary Rooms
- Cabins and Mobile Homes
- Domestic Bathroom or Kitchen Sink

EASY ONE-PERSON INSTALLATION

PLUGS INTO STANDARD WALL OUTLETS

- 2 1/2 and 4 Gal. Units (8 Gal. Hard-Wired)

MOUNTING BRACKET INCLUDED

RUBBER FEET ATTACHED FOR FLOOR STANDING UNITS

REQUIRED TOOLS:

- Pipe Wrench
- Channel Locks
- Teflon Tape or Pipe Dope
- Crescent Wrench



EXTERNAL
TEMPERATURE
REGULATION



TITANSHIELD



6 YEAR LIMITED
WARRANTY
2 YEAR PARTS



SUPER INSULATION
POLYURETHANE FOAM

ariston.com/usa

In accordance with our company policy of ongoing product improvement, Ariston Thermo reserves the right to make changes without prior notice.

272 Duchaine Blvd, New Bedford, MA 02745 • 01/2019 © Ariston Thermo Group

Free Manuals Download Website

<http://myh66.com>

<http://usermanuals.us>

<http://www.somanuals.com>

<http://www.4manuals.cc>

<http://www.manual-lib.com>

<http://www.404manual.com>

<http://www.luxmanual.com>

<http://aubethermostatmanual.com>

Golf course search by state

<http://golfingnear.com>

Email search by domain

<http://emailbydomain.com>

Auto manuals search

<http://auto.somanuals.com>

TV manuals search

<http://tv.somanuals.com>