

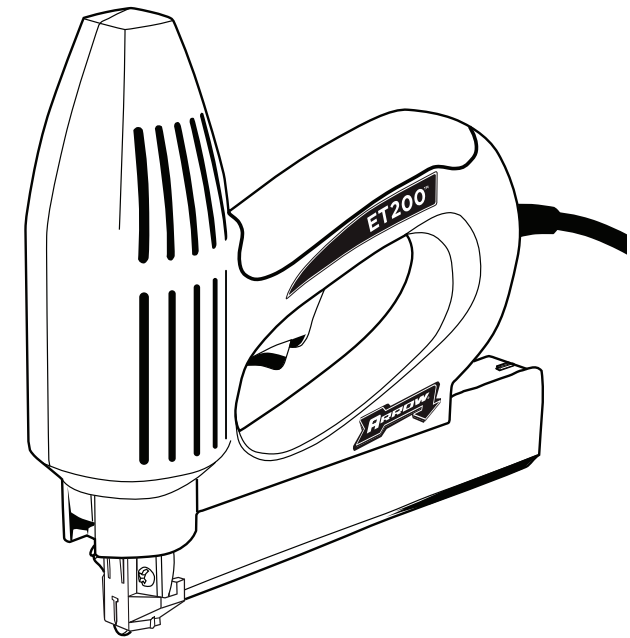


ET200™ PROFESSIONAL ELECTRIC BRAD NAIL GUN

ENGLISH

GENERAL SAFETY RULES.....	P 2
SPECIFIC SAFETY RULES.....	P 3
DEFINITION OF SYMBOLS USED ON TOOL.....	P 4
FUNCTIONAL DESCRIPTION.....	P 4
ASSEMBLY & OPERATION	P 5
MAINTENANCE.....	P 6
ACCESSORIES.....	P 7
WARRANTY.....	P 8

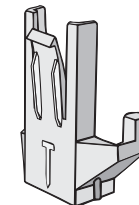
Click Button
to go to page



ESPAÑOL

NORMAS DE SEGURIDAD.....	P 9
NORMAS DE SEGURIDAD ESPECÍFICAS.....	P 10
DEFINICIÓN DE LOS SÍMBOLOS UTILIZADOS EN LA HERRAMIENTA.....	P 11
DESCRIPCIÓN FUNCIONAL.....	P 11
ENSAMBLAJE / OPERACIÓN.....	P 12
MANTENIMIENTO.....	P 13
ACCESORIOS.....	P 14
GARANTÍA.....	P 15

Pulse el botón
para ir a la página



FRANÇAIS

REGLES GENERALES DE SECURITE.....	P 16
REGLES DE SECURITE SPECIFIQUES.....	P 17
DEFINITION DES SYMBOLES UTILISES SUR L'OUTIL.....	P 18
DESCRIPTION FONCTIONNELLE.....	P 18
MONTAGE/FONCTIONNEMENT.....	P 19
MAINTENANCE	P 20
ACCESSOIRES.....	P 21
GARANTIE.....	P 22

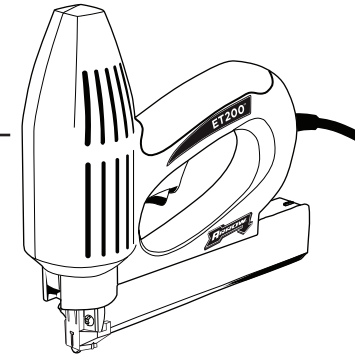
Bouton-poussoir
pour aller à la page

BACK TO
INDEX





GENERAL SAFETY RULES



WARNING! Read all instructions. Failure to follow all instructions listed below may result in electric shock, fire, and / or serious injury. When using electric tools, basic safety precautions should always be followed to reduce the risk of fire, electrical shock and personal injury. **Read the following rules for safe operation before use. SAVE THESE INSTRUCTIONS**

- 1. WORK AREA:** Keep your work area clean and well lit. Cluttered benches and dark areas invite accidents. **Do not operate power tools in explosive atmospheres, such as in the presence of flammable liquids, gases, or dust.** Power Tools create sparks which may ignite the dust or fumes. **Keep bystanders, children, and visitors away while operating a power tool.** Distractions can cause you to lose control.
- 2. ELECTRICAL SAFETY:** Grounded tools must be plugged into an outlet properly installed and grounded in accordance with all codes and ordinances. **Never remove the grounding prong or modify the plug in any way. Do not use any adapter plugs. Check with a qualified electrician if you are in doubt as to whether the outlet is properly grounded.** If the tools should electrically malfunction or break down, grounding provides a low resistance path to carry electricity away from user. **Avoid body contact with grounded surfaces such as pipes, radiators, ranges, and refrigerators.** There is an increased risk of electrical shock if your body is grounded. **Do not expose power tools to rain or wet conditions.** Water entering a power tool will increase the risk of electrical shock. **Do not abuse the cord. Never use the cord to carry the tools or pull the plug from an outlet. Keep cord away from heat, oil, sharp edges, or moving parts. Replace damaged cords immediately.** Damaged cords increase the risk of electric shock. **When operating a power tool outside, use an outdoor extension cord marked "W-A" or "W".** These cords are rated for outdoor use and reduce the risk of electric shock.
- 3. PERSONAL SAFETY:** Stay alert, watch what you are doing, and use common sense when operating a power tool. **Do not use tool while tired or under the influence of drugs, alcohol or medication.** A moment of inattention while operating power tools may result in serious personal injury. **Dress properly. Do not wear loose clothing or jewelry. Contain long hair. Keep your hair, clothing and gloves away from moving parts.** Loose clothes, jewelry, or long hair can be caught in moving parts. **Avoid accidental starting. Be sure switch is off before plugging in.** Carrying tools with your finger on the switch or plugging in tools that have the switch on invites accidents. **Remove adjusting keys or switches before turning tool on.** A wrench or key that is left attached to a rotating part of the tool may result in personal injury. **Do not overreach. Keep proper footing and balance at all times.** Proper footing and balance enables better control of the tool in unexpected situations. **Use safety equipment. Always wear eye protection.** Dust mask, non skid safety shoes, hard hat, or hearing protection must be used for appropriate conditions.
- 4. TOOL USE AND CARE:** Use clamps or other practical way to secure and support the workpiece to a stable platform. Holding the work by hand or against your body is unstable and may lead to loss of control. **Do not force tool. Use the correct tool for your application.** The correct tool will do the job better and safer at the rate for which it was designed. **Do not use tool if the switch does not turn it on or off.** Any tool that cannot be controlled with the switch is dangerous and must be repaired. **Disconnect the plug from the power source before making any adjustments, changing accessories, or storing the tool.** Such preventative safety measures reduce the risk of starting the tool accidentally. **Store idle tools out of the reach of children and other untrained persons.** Tools are dangerous in the hands of untrained users. **Maintain tools with care. Keep cutting tools sharp and clean.** Properly maintained tools, with sharp cutting edges are less likely to bind and are easier to control. **Check for misalignment or binding of moving parts, breakage of parts, and any other condition that may affect the tools operation. If damaged, have the tools serviced before using.** Many accidents are caused by poorly maintained tools. **Use only accessories that are recommended by the manufacturer for your model.** Accessories that may be suitable for one tool, may become hazardous when used on another tool.
- 5. SERVICE:** Tool service must be performed only by qualified repair personnel. Service or maintenance performed by unqualified personnel could result in a risk of injury. **When servicing a tool, use only identical replacement parts. Follow instructions in the maintenance section of this manual.** Use of unauthorized parts or failure to follow maintenance instructions may create a risk of electric shock or injury.



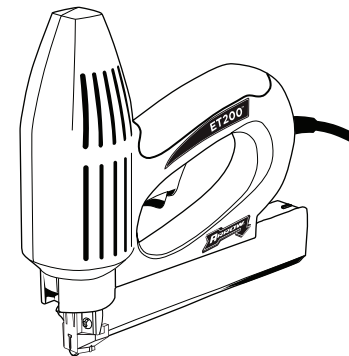
BACK TO
INDEX





SPECIFIC SAFETY RULES

- 1 Hold tool by insulated gripping surfaces when performing an operation where the nailing tool may contact hidden wiring or its own cord.** Contact with a "live" wire will also make exposed metal parts of the tool "live" and shock the operator.
- 2 Know your power tool.** Read operator's manual carefully. Learn its applications and limitations, as well as the specific potential hazards related to this tool. Following this rule will reduce the risk of electric shock, fire, or serious injury.
- 3 Always wear safety glasses with side shields.** Everyday glasses have only impact resistant lenses. They are NOT safety glasses. Following this rule will reduce the risk of eye injury.
- 4 Protect your lungs.** Wear a face or dust mask if the operation is dusty. Following this rule will reduce the risk of serious personal injury.
- 5 Protect your hearing.** Wear hearing protection during extended periods of operation. Following this rule will reduce the risk of serious personal injury.
- 6 Do not abuse cord.** Never carry tool by cord. Never yank cord to disconnect it from receptacle. Keep cord away from heat, oil & sharp edges.
- 7 Do not attempt to alter the tool.** Your ET200™ has a tested cycling time. It is designed to perform adequately at this rate. Any unauthorized alteration and/or use of unauthorized replacement parts is misuse which could result in a hazardous condition causing possible serious personal injury. Unauthorized parts and/or tool modification automatically voids warranty.
- 8 Use only original ARROW® parts.**



BACK TO
INDEX



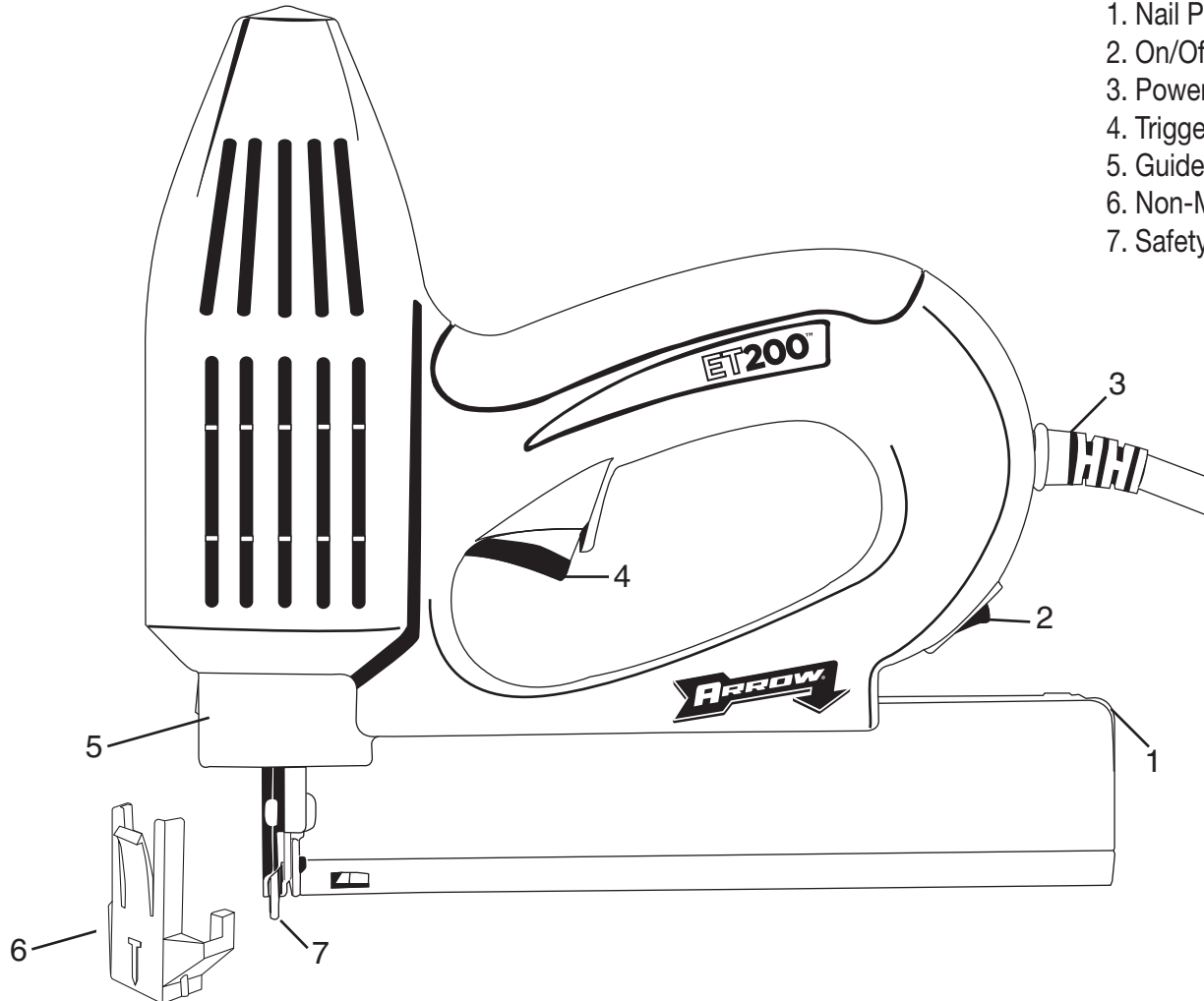
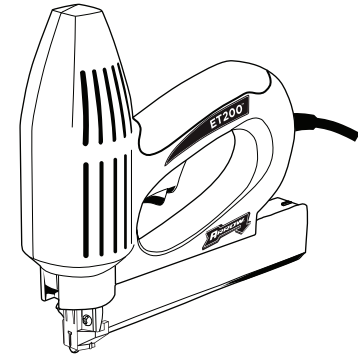


DEFINITION OF SYMBOLS USED ON TOOL

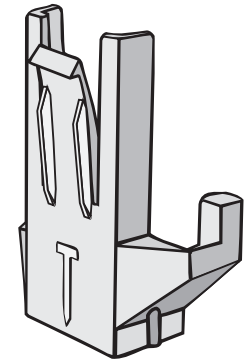
FUNCTIONAL DESCRIPTION

V Volts
A Amperes
Hz Hertz
~ Alternating Current

 Alert
 Wear Eye Protection
 Wear Ear Protection

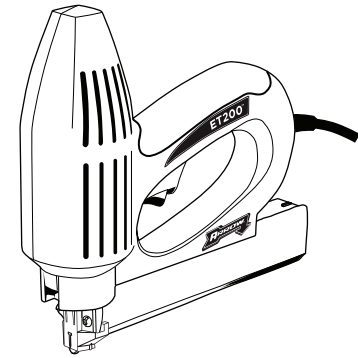


1. Nail Pusher Rod Assembly
2. On/Off Switch
3. Power Cord
4. Trigger
5. Guide Light
6. Non-Marring Bumper
7. Safety Tip



BACK TO INDEX





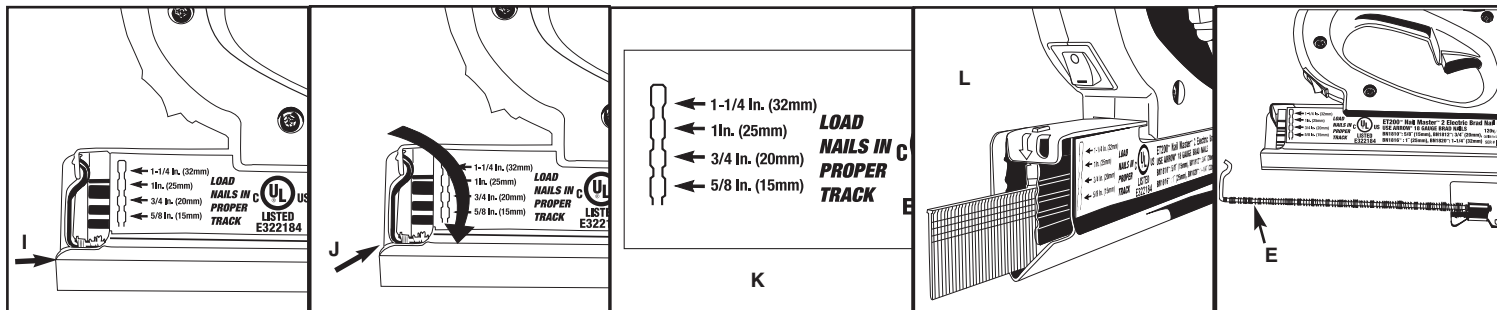
ASSEMBLY

- 1 MAKE SURE YOU HAVE READ ALL SAFETY INSTRUCTIONS.
- 2 This tool comes completely assembled. There is no assembly required.

OPERATION

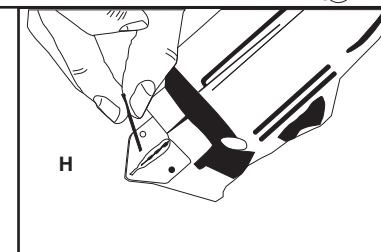
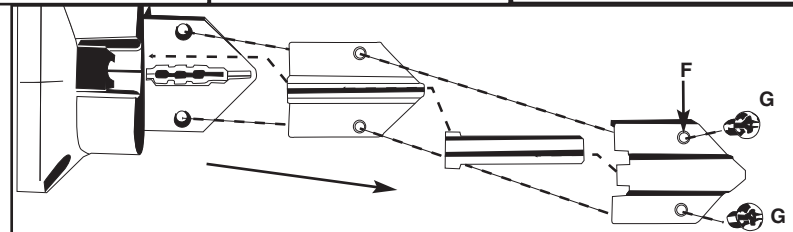
Loading your tool with nails.

1. Unplug nail gun.
2. Push in **PUSHER ROD LATCH** at rear of Main Frame. “**I**”
3. Move hook towards you to slide out pusher rod assembly. “**J**”
4. The ET200™/ET200220™ shoots 3 different size nails — 1" (25mm), 3/4" (20mm) and 5/8" (15mm).
5. Follow the guide “**K**” on the side of the main frame to insert nails in the correct track. When correctly loaded, nail points will slide smoothly on the keel of the chamber. “**L**”
6. Replace pusher rod assembly “**E**” and secure latch. (This procedure moves nails forward into firing position). Make certain that power switch is in off position. Plug power cord into outlet. Now your nailer is in firing condition. Follow all safety precautions.



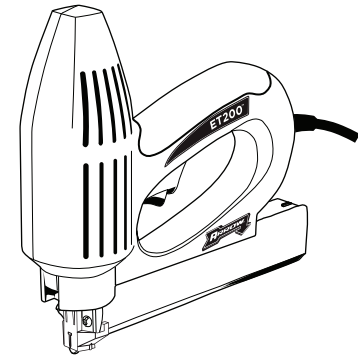
TO CLEAR AND CLEAN NAIL CAVITY

1. Unplug gun. Hold gun so that mounting screws of front cover “**F**” are accessible.
2. Unlock pusher rod assembly. Remove all nails in chamber. Be certain that chamber is completely clear.
3. Remove screws “**G**” and take front cover off.
4. The safety slide and inside cover are now disassembled to expose nail cavity for easy cleaning.
5. Clear nail cavity. Use thin, pointed tool or nail. “**H**”
6. ET200™/ET200220™ SHOULD ALWAYS BE UNPLUGGED DURING CLEANING. AVOID FIRING WHEN NAILER IS EMPTY. SHOOTING BLANKS WILL DAMAGE THE ET200™/ET200220™.



BACK TO INDEX

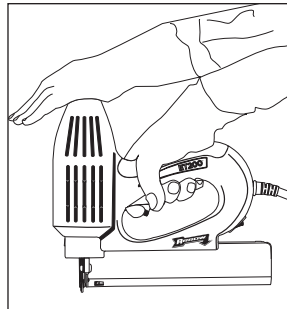
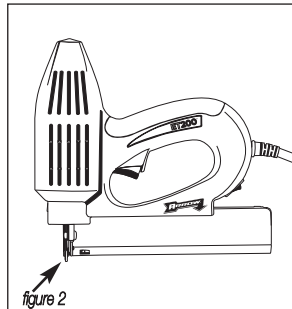
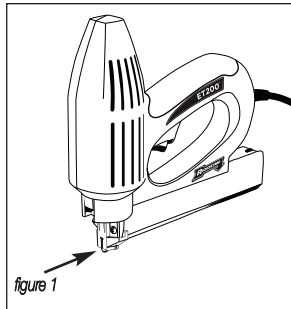




Guide Light.

Your ET200™ comes equipped with a guide light at the front of the tool **figure 1**. The light will be activated upon pressing the trigger. Your ET200™ has a safety switch at the nail exit point **figure 2** that will prevent your tool from firing when not in contact with a work surface. To properly use your LED guide light, press trigger before tool makes contact with your work surface. After making contact with the work surface, release trigger, then press trigger again to fire a nail.

You will find this helpful when firing nails into tighter corners and poorly lit areas.



On very hard surfaces firing recoil may interfere with nail penetration. Enhance driving power by firmly placing one hand on top of cap.

MAINTENANCE

Your ET200™ is virtually maintenance free. Keep tool clean and free of dust. Wipe clean with a dry cloth do not use harsh chemicals to clean your ET200™.

Your ET200™ contains no user serviceable parts. In the unlikely event that your ET200™ should need service contact:

Arrow Fastener Co., LLC
271 Mayhill Street, Saddle Brook, N.J. 07663
Tel. 201 843-6900

ET200™ (120v) Use #12 extension cord.	ET200220™ (220-240v) Use Only An Earth Cable Extension Cord
--	--

**BACK TO
INDEX**





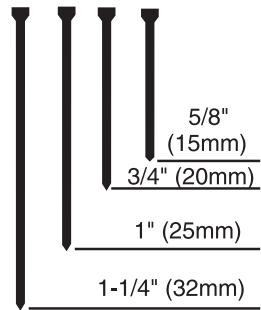
ACCESSORIES

INCLUDED

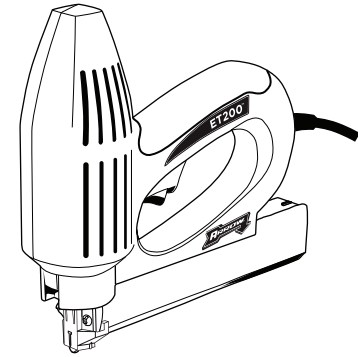
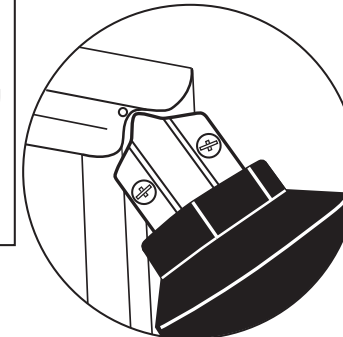
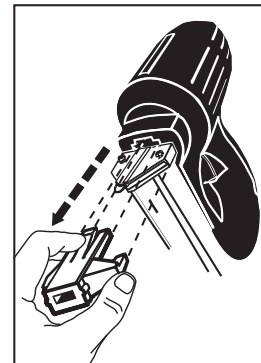
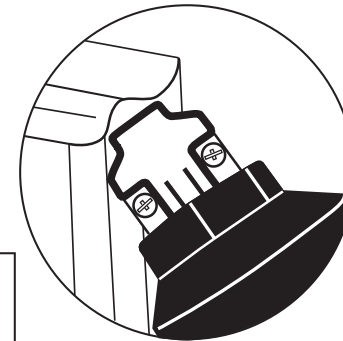
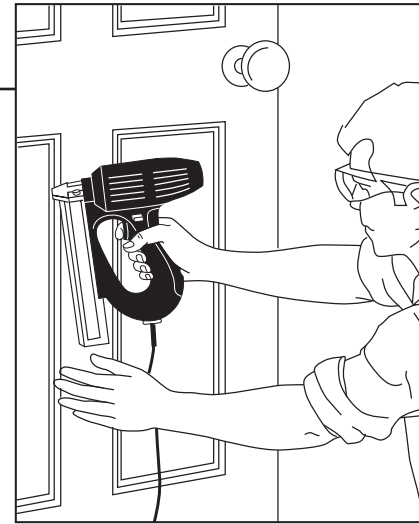
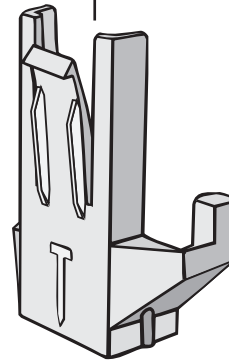
NON-MARRING REMOVABLE BUMPER

To remove for work in tight areas.

ET200™/ ET200220™



4
ARROW NAIL SIZES



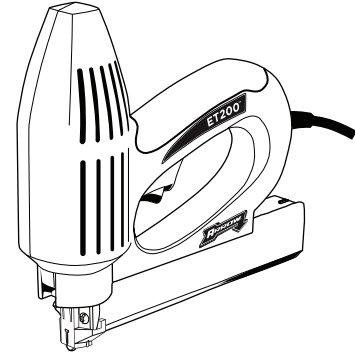
Genuine Arrow® Brad nails are available at retail outlets, hardware stores, lumberyards and wherever fine tools are sold.

BACK TO INDEX





WARRANTY



1 Year Limited Warranty

Arrow® Fastener Company warrants to the original consumer purchaser (“you”) that this product will be free from original defects in materials and workmanship for 1 year after you purchase it. If the product does not comply with this warranty, Arrow® will, at its option, repair or replace the product with an equivalent product at no charge to you. This warranty is not transferable. For best performance, use genuine Arrow® nails. Arrow® nails are made to exact tolerances to insure trouble-free nailing performance. This warranty does not cover defect or damage relating to the use of non Arrow® branded nails. This warranty also does not cover damage relating to normal wear and tear, misuse, abuse, neglect, accident, natural disaster, or alteration of the product without Arrow’s consent. TO THE EXTENT PERMITTED BY LAW, ANY IMPLIED WARRANTIES, INCLUDING ANY WARRANTY OF MERCHANTABILITY OR FITNESS FOR A PARTICULAR PURPOSE, ARE LIMITED TO THE SAME DURATION AS THIS EXPRESS WARRANTY. Some states do not allow limitations on how long an implied warranty lasts, so the above limitation may not apply to you. NO OTHER EXPRESS WARRANTY HAS BEEN MADE OR WILL BE MADE BY ARROW® WITH RESPECT TO THIS PRODUCT. ARROW® SHALL NOT BE RESPONSIBLE FOR SPECIAL, INCIDENTAL OR CONSEQUENTIAL DAMAGES WHETHER ARISING OUT OF BREACH OF WARRANTY, BREACH OF CONTRACT, TORT, OR OTHERWISE. Some states do not allow the exclusion of incidental or consequential damages so the above exclusion and limitation may not apply to you. This warranty gives you specific legal rights, and you also may have other rights which vary from state to state. This guarantee does not effect your statutory rights. In Canada, the above provisions are not intended to operate where prohibited by law and do not preclude the operation of any applicable provincial consumer protection statute which may in certain circumstances extend the express warranty herein. To obtain the benefits of this warranty, you must send the product securely packaged with proof of purchase and postage prepaid to:

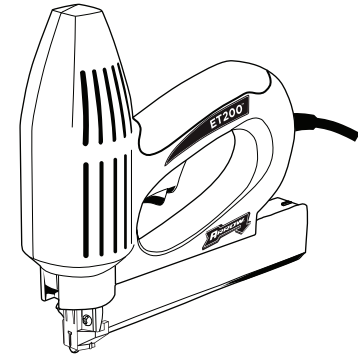
Arrow Fastener Co., LLC
271 Mayhill Street, Saddle Brook, N.J. 07663

BACK TO
INDEX





NORMAS DE SEGURIDAD GENERALES



¡ADVERTENCIA! Lea todas las instrucciones. No seguir las instrucciones que se mencionan a continuación puede provocar una descarga eléctrica, un incendio y/o una lesión grave. Cuando se utilizan herramientas eléctricas, siempre deben seguirse las precauciones de seguridad básicas para reducir el riesgo de incendio, descarga eléctrica y lesión personal. Lea las siguientes normas para una operación segura antes de usar la herramienta.

CONSERVE ESTAS INSTRUCCIONES

- 1. ÁREA DE TRABAJO:** Mantenga su área de trabajo limpia y bien alumbrada. Los bancos desordenados y las áreas oscuras provocan accidentes. No utilice herramientas eléctricas en atmósferas explosivas, por ejemplo en presencia de líquidos, gases o polvo inflamables. Las herramientas eléctricas generan chispas que pueden encender el polvo o los vapores. Mantenga alejados a los espectadores, niños y visitantes mientras utilice una herramienta eléctrica. Las distracciones pueden provocar que pierda el control.
- 2. SEGURIDAD ELÉCTRICA:** Las herramientas conectadas a tierra deben estar enchufadas en una toma de corriente debidamente instalada y conectadas a tierra de acuerdo con todos los códigos y normas. Nunca retire la espiga de conexión a tierra o modifique el enchufe de ningún modo. No utilice enchufes adaptadores. Consulte a un eléctrico calificado si tiene dudas en cuanto a la conexión correcta de la toma de corriente a tierra. Si las herramientas llegan a funcionar mal o a sufrir una avería eléctrica, la conexión a tierra ofrece un camino de baja resistencia para conducir la electricidad lejos del usuario.

Evite el contacto corporal con las superficies conectadas a tierra tales como tuberías, radiadores, estufas y refrigeradores. Existe un mayor riesgo de descarga eléctrica si su cuerpo está haciendo tierra. No exponga las herramientas eléctricas a la lluvia o a condiciones de humedad. El agua que entra en una herramienta eléctrica aumentará el riesgo de una descarga eléctrica. No abuse del cable. Nunca utilice el cable para transportar las herramientas ni para jalar el enchufe de la toma de corriente. Mantenga alejado el cable del calor, aceite, puntas filosas o partes móviles. Reemplace los cables dañados de inmediato. Los cables dañados aumentan el riesgo de una descarga eléctrica. Cuando utilice una herramienta eléctrica en exteriores, utilice un cable de extensión marcado como "W-A" o "W". Estos cables son para uso en exteriores y reducen el riesgo de una descarga eléctrica.

- 3. SEGURIDAD PERSONAL:** Manténgase alerta, ponga atención a lo que hace y utilice el sentido común cuando utilice una herramienta eléctrica. No utilice herramientas si está cansado o bajo el influjo de drogas, alcohol o medicamentos. Un momento de distracción al utilizar las herramientas eléctricas puede provocar una lesión personal muy grave. Use la ropa adecuada. No utilice ropa holgada ni alhajas. Si tiene cabello largo, amárrelo. Mantenga su cabello, ropa y guantes lejos de las partes móviles. La ropa holgada, alhajas o el cabello largo pueden quedar atrapados en las partes móviles. Evite que los aparatos se enciendan de forma accidental. Asegúrese de que el interruptor esté en apagado antes de conectar la herramienta. Transportar las herramientas con su dedo en el interruptor o conectar herramientas cuando el interruptor esté en posición de encendido puede provocar accidentes. Retire las llaves de ajuste o interruptores antes de encender la herramienta. Una llave que se deja unida a una parte giratoria de la herramienta puede provocar una lesión personal. No rebase su alcance. Manténgase bien plantado y equilibrado en todo momento. Estar bien plantado y equilibrado permite un mejor control de la herramienta en situaciones inesperadas. Utilice equipo de seguridad. Siempre utilice gafas para proteger los ojos. Debe utilizar mascarilla contra polvo, zapatos antiderrapantes, un casco rígido o protección auditiva según las condiciones.

- 4. USO Y CUIDADO DE LAS HERRAMIENTAS:** Utilice abrazaderas u otra forma práctica de fijar o dar soporte a la pieza de trabajo en una plataforma estable. Si mantiene la pieza en su mano o contra su cuerpo, no tendrá estabilidad y puede perder el control. No fuerce la herramienta. Use la herramienta adecuada para la aplicación correspondiente. La herramienta apropiada realizará el trabajo mejor y de forma más segura de acuerdo con el uso para el que fue diseñada. No utilice la herramienta si el interruptor no la enciende o la apaga. Toda herramienta que no puede ser controlada con el interruptor es peligrosa y debe ser reparada. Desconecte el cable de la toma de corriente antes de realizar cualquier ajuste, cambiar de accesorio o guardar la herramienta. Estas medidas preventivas de seguridad reducen el riesgo de encender la herramienta de forma accidental. Conserve las herramientas que no están en uso fuera del alcance de los niños y de cualquier otra persona que no sepa utilizarlas. Las herramientas son peligrosas en las manos de usuarios no capacitados. Dé el mantenimiento adecuado a las herramientas. Mantenga las herramientas de corte afiladas y limpias. Las herramientas con bordes de corte afilados que reciben el mantenimiento adecuado son menos propensas a atascarse y es más fácil controlarlas. Verifique que no exista desalineación o atascamiento de las partes móviles, que no haya partes rotas y cualquier otra condición que pudiera afectar el funcionamiento de las herramientas. Si están dañadas, mande a reparar las herramientas antes de usarlas. Muchos accidentes son provocados por herramientas que no reciben el mantenimiento adecuado. Utilice únicamente los accesorios que el fabricante recomiende para su modelo. Los accesorios que pueden ser apropiados para una herramienta, pueden ser peligrosos cuando se usan en otra.

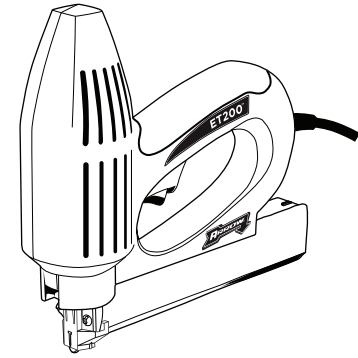
- 5. SERVICIO:** El personal de reparación calificado es el único que debe dar servicio a las herramientas. Cuando personal no calificado da servicio o mantenimiento, existe el riesgo de lesión. Al dar servicio a una herramienta, utilice sólo los accesorios de reemplazo que sean idénticos. Siga las instrucciones en la sección de mantenimiento de este manual. El uso de accesorios no autorizados o no seguir las instrucciones de mantenimiento puede crear un riesgo de descarga eléctrica o lesión.

BACK TO
INDEX





NORMAS DE SEGURIDAD ESPECÍFICAS



- 1 Sostenga la herramienta sólo por las superficies de agarre aisladas cuando realice una operación en la que la herramienta para clavar pueda entrar en contacto con cableado oculto o con su propio cable.** El contacto con un cable conductor también provocará que las partes de metal expuestas de la herramienta se vuelvan conductoras y esto dará una descarga al operador.
- 2 Conozca bien su herramienta eléctrica.** Lea con cuidado el manual del operador. Aprenda sus usos y limitaciones, así como los posibles riesgos específicos relacionados con esta herramienta. Seguir esta regla reducirá el riesgo de sufrir una descarga eléctrica, incendio o lesión grave.
- 3 Siempre utilice gafas de seguridad con protecciones laterales.** Los anteojos cotidianos sólo cuentan con lentes (micas) resistentes al impacto. NO son gafas de seguridad. Seguir esta regla reducirá el riesgo de una lesión ocular.
- 4 Proteja sus pulmones.** Utilice una careta o mascarilla contra polvo. Seguir esta regla reducirá el riesgo de una lesión personal grave.
- 5 Proteja sus oídos.** Utilice protección auditiva durante periodos de operación prolongados. Seguir esta regla reducirá el riesgo de una lesión personal grave.
- 6 No abuse del cable.** Nunca transporte la herramienta por medio del cable. Nunca tire con fuerza del cable para desconectarlo de la toma de corriente. Mantenga alejado el cable del calor, aceite y bordes filosos.
- 7 No intente modificar la herramienta.** Su ET200™ tiene un ciclo probado. Está diseñada para un desempeño adecuado a este índice. Cualquier modificación no autorizada y/o uso no autorizado de accesorios de reemplazo corresponde a un uso inadecuado que puede dar lugar a una circunstancia peligrosa y puede provocar lesiones personales graves. Los accesorios no autorizados y/o las modificaciones a la herramienta, cancelan la garantía de forma automática.
- 8 Use sólo accesorios originales ARROW®.**

BACK TO
INDEX

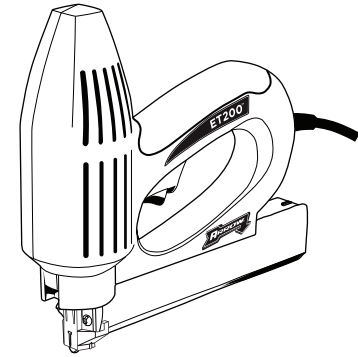




DEFINICIÓN DE LOS SÍMBOLOS UTILIZADOS EN LA HERRAMIENTA

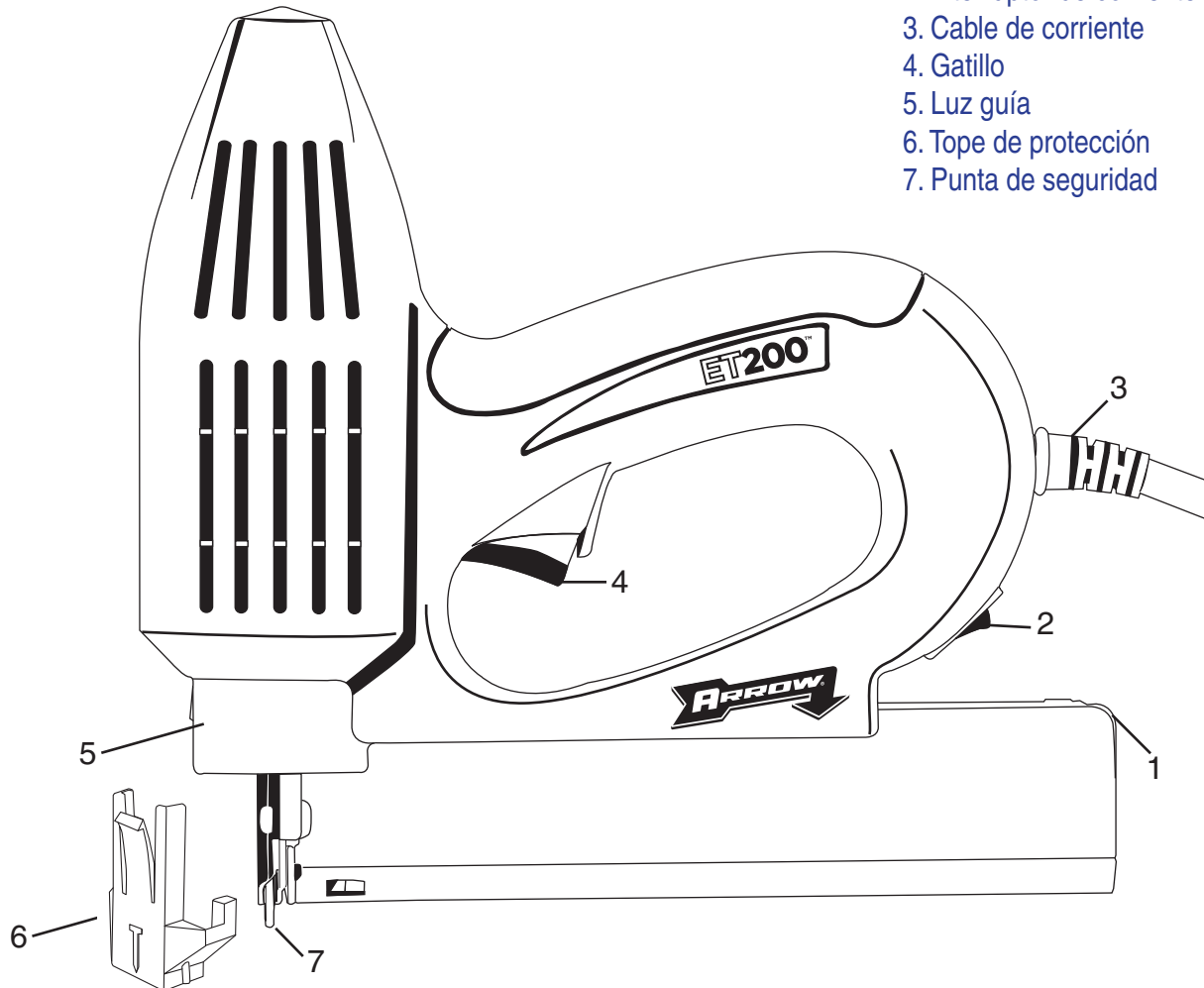
V Voltios
A Amperios
Hz Hertz
~ Corriente alterna

 Alerta
 Utilice gafas de protección
 Utilice protección para los oídos



DESCRIPCIÓN FUNCIONAL

1. Ensamble de varilla con empujador de clavos
2. Interruptor de corriente
3. Cable de corriente
4. Gatillo
5. Luz guía
6. Tope de protección
7. Punta de seguridad



BACK TO INDEX





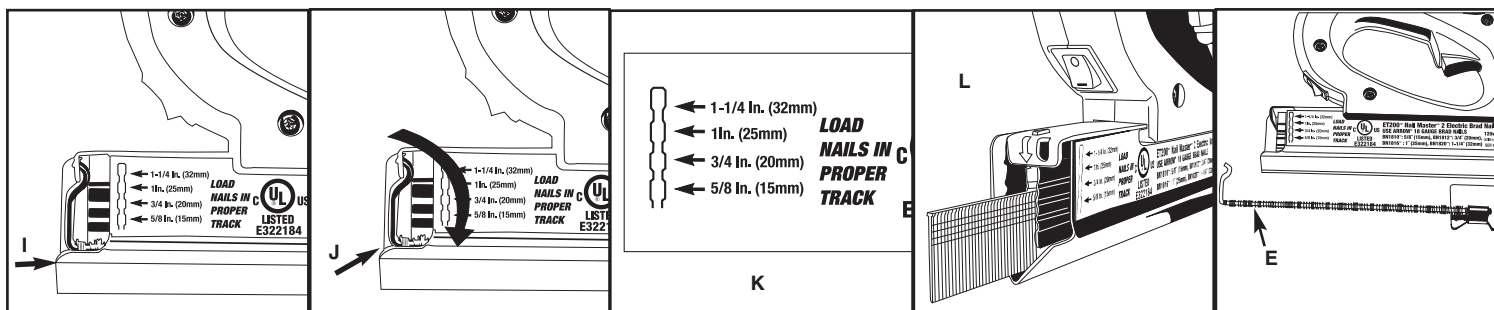
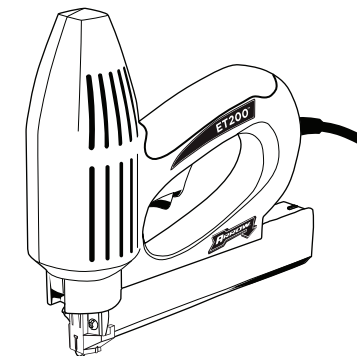
ENSAMBLAJE

- 1 ASEGÚRESE DE HABER LEÍDO TODAS LAS INSTRUCCIONES DE SEGURIDAD.
- 2 Esta herramienta viene completamente ensamblada. No es necesario ensamblar nada.

OPERACIÓN

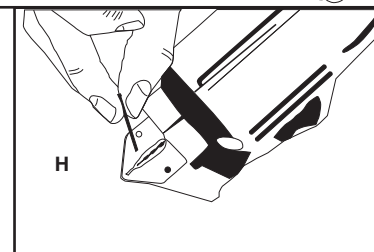
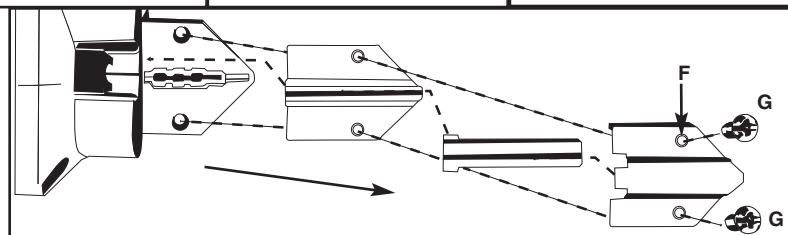
Para cargar su herramienta con clavos.

1. Desconecte la pistola de clavos.
2. Oprima el PESTILLO DEL EMPUJADOR DE LA VARILLA en la parte posterior del Marco Principal. “I”
3. Mueva el gancho hacia usted para deslizar y desprender el ensamble de la varilla del empujador. “J”
4. La ET200™/ET200220™ dispara 3 tamaños de clavos diferentes — 1, 3/4 y 5/8 pulg (25, 20 y 15mm).
5. Siga la guía “K” en el costado del marco principal para insertar los clavos en el riel adecuado. Cuando se ha cargado correctamente, las puntas de los clavos se deslizarán suavemente en la quilla del compartimiento. “L”
6. Vuelva a colocar en su lugar el ensamble de la varilla del empujador “E” y asegure el pestillo. (Este procedimiento conduce a los clavos a la posición de disparo). Asegúrese de que el interruptor de corriente se encuentre en apagado. Conecte el cable a la toma de corriente. Ahora su clavadora está lista para disparar. Siga todas las precauciones de seguridad



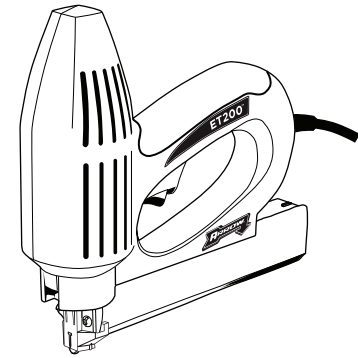
PARA DESPEJAR Y LIMPIAR LA CÁMARA PARA LOS CLAVOS

1. Desconecte la pistola. Sostenga la pistola de tal forma que los tornillos de montaje de la cubierta frontal “F” sean accesibles
2. Quite el seguro del ensamble de la varilla del empujador. Retire todos los clavos del compartimiento. Asegúrese que no quede ningún clavo en el compartimiento.
3. Retire los tornillos “G” y retire la cubierta frontal.
4. Las cubiertas de seguridad lateral e interior ahora están desensambladas para poder ver la cámara para los clavos y limpiarla con facilidad.
5. Despeje la cámara para los clavos. Utilice una herramienta de punta delgada o un clavo. “H”
6. LA ET200™/ET200220™ SIEMPRE DEBE ESTAR DESCONECTADA DURANTE LA LIMPIEZA. EVITE HACER DISPAROS CUANDO LA CLAVADORA ESTÉ VACÍA. DISPARAR SALVAS DAÑARÁ A LA ET200™/ET200220™.



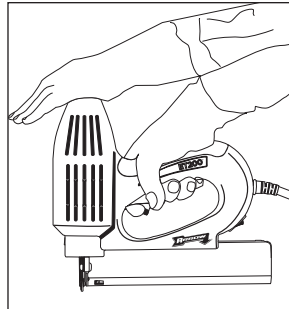
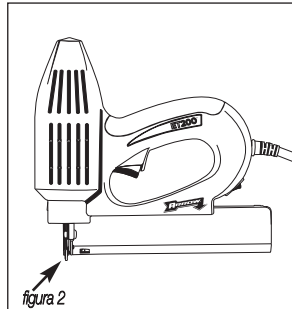
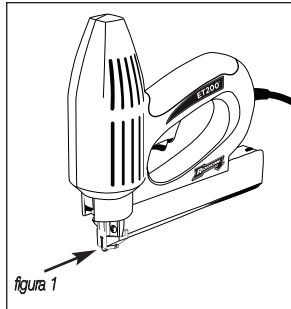
BACK TO INDEX





Luz guía.

Su ET200™ esta equipada con una luz guía al frente de la herramienta *figura 1*. La luz se activará al presionar el gatillo. Su ET200™ cuenta con un interruptor de seguridad en el punto de salida de los clavos *figura 2* que evitará que su herramienta se dispare cuando no este en contacto con una superficie de trabajo. Para utilizar de forma correcta su luz guía con LED (diodo emisor de luz), presione el gatillo antes de que la herramienta entre en contacto con su superficie de trabajo. Después de entrar en contacto con la superficie de trabajo, libere el gatillo, y enseguida vuelva a presionar el gatillo para disparar un clavo. Esto le parecerá útil cuando dispare clavos en esquinas estrechas y áreas que no cuenten con luz suficiente.



En superficies muy duras, el rechazo del disparo puede interferir con la penetración del clavo. Coloque una mano sobre la parte superior de la cubierta para lograr una mayor potencia.

MANTENIMIENTO

Su ET200™ prácticamente no necesita mantenimiento. Mantenga su herramienta limpia y libre de polvo. No utilice químicos agresivos para limpiar su ET200™, sólo use un paño seco.

Su ET200™ contiene accesorios que no deben ser reparados por el usuario. En el caso improbable de que su ET200™ necesite alguna reparación, comuníquese con:

Arrow Fastener Co., LLC
271 Mayhill Street, Saddle Brook, N.J. 07663
Tel. 201 843-6900

ET200™ (120v)
Utilice cables
alargadores 12#.

ET200220™ (220-240v)
Utilizar sólo con extensión de
cable a tierra

**BACK TO
INDEX**

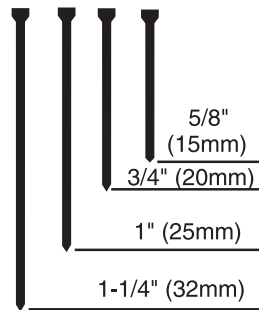




ACCESORIOS

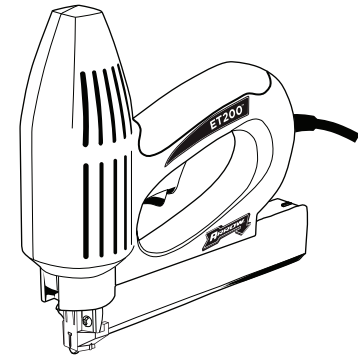
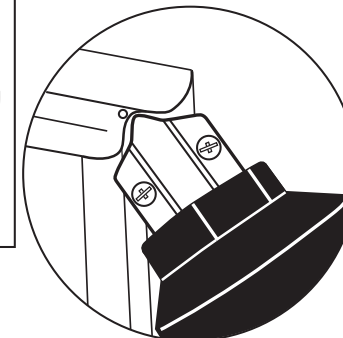
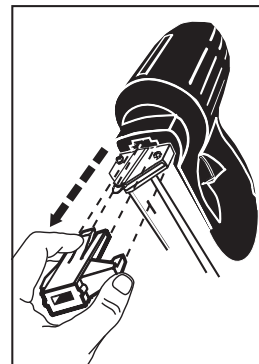
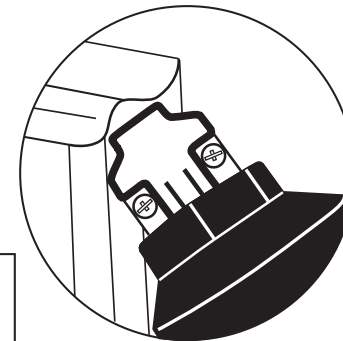
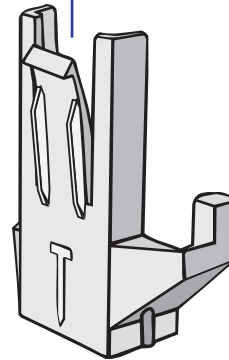
INCLUIDO
PROTECTOR DE GOLPES EXTRAIBLE
Extraer para trabajar en espacios reducidos.

ET200™/ ET200220™



4
TAMAÑOS DE CLAVOS

Los clavos originales de puntilla Arrow® están a su disposición en los establecimientos minoristas, ferreterías, almacenes de madera y en cualquier lugar donde se vendan herramientas finas.



BACK TO INDEX



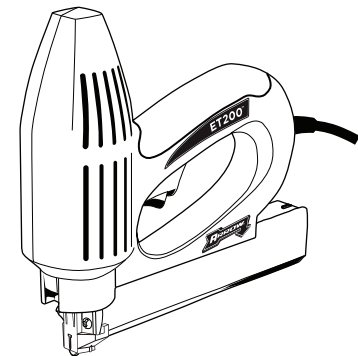


GARANTÍA

Garantía Limitada por 1 Año

Arrow® Fastener Company garantiza al comprador original ("usted") que este producto estará libre de defectos originales en sus materiales y su fabricación durante 1 año después de su adquisición. Si el producto no cumple con esta garantía, Arrow®, a su consideración, realizará las reparaciones o el reemplazo del producto con uno equivalente sin cargo para usted. Esta garantía no es transferible. Para un mejor desempeño, utilice los clavos genuinos Arrow®. Los clavos Arrow® están fabricados con las tolerancias exactas que aseguran un desempeño libre de problemas. Esta garantía no cubre los defectos o daños relacionados con el uso de clavos que no sean de marca Arrow®. Esta garantía no cubre los daños relacionados con el desgaste normal, mal uso, abuso, negligencia, accidente, desastre natural o modificación del producto sin el consentimiento de Arrow. **EN LA MEDIDA EN QUE LA LEY LO PERMITA, CUALQUIER GARANTÍA IMPLÍCITA, INCLUYENDO TODA GARANTÍA DE COMERCIALIZACIÓN O ADECUACIÓN PARA UN PROPÓSITO ESPECÍFICO, ESTARÁ LIMITADA A LA MISMA DURACIÓN QUE SE EXPRESA EN ESTA GARANTÍA.** Algunos estados no permiten limitaciones sobre la duración de una garantía implícita, así que es posible que la limitación anterior no aplique en su caso. **ARROW® NO HA HECHO NINGUNA OTRA GARANTÍA EXPRESA CON RESPECTO A ESTE PRODUCTO. ARROW® NO SE HARÁ RESPONSABLE POR DAÑOS ESPECIALES, INCIDENTALES O DERIVADOS DE LA VIOLACIÓN DE LA GARANTÍA, INCUMPLIMIENTO DE CONTRATO, RESPONSABILIDAD OBJETIVA O QUE PUDIERAN SURGIR DE ALGUNA OTRA FORMA.** Algunos estados no permiten la exclusión de daños incidentales o derivados, así que es posible que la exclusión y limitación anteriores no apliquen en su caso. Esta garantía le proporciona derechos legales específicos y también podría tener otros derechos que varíen de un estado a otro. Esto garantiza que no habrá afectaciones en sus derechos legales. En Canadá, las disposiciones :

Arrow Fastener Co., LLC
271 Mayhill Street, Saddle Brook, N.J. 07663

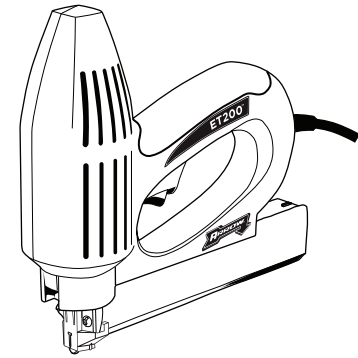


BACK TO
INDEX





REGLES GENERALES DE SECURITE



Avertissement! Vous devez lire et comprendre toutes les instructions. Le non respect des instructions ci-après entraîne un risque de choc électrique, d'incendie et/ou de blessures graves. Si vous utilisez des outils électriques, des précautions élémentaires de sécurité doivent être suivies pour réduire le risque d'incendie, de choc électrique et de blessures. Lisez les indications suivantes pour une utilisation en toute sécurité avant mise en service.

CONSERVEZ CES INSTRUCTIONS

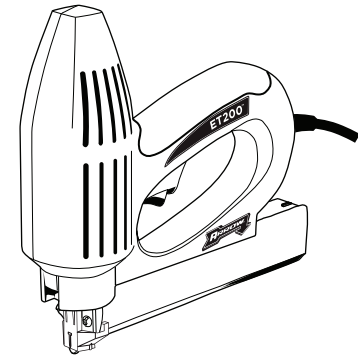
- 1. AIRE DE TRAVAIL: Veillez à ce que l'aire de travail soit propre et bien éclairée.** Le désordre et le manque de lumière favorisent les accidents. N'utilisez pas d'outils électriques dans une atmosphère explosive, par exemple en présence de liquides, de gaz ou de poussières inflammables. Power Tools crée des étincelles qui peuvent enflammer la poussière ou les vapeurs. Tenez à distance les curieux, les enfants et les visiteurs pendant que vous travaillez avec un outil électrique. Ils pourraient vous distraire et vous faire faire une fausse manoeuvre.
- 2. SECURITE ELECTRIQUE : Les outils mis à la terre doivent être branchés dans une prise de courant correctement installée et mise à la terre conformément à tous les codes et règlements pertinents. Ne modifiez jamais la fiche de quelque façon que ce soit, par exemple en enlevant la broche de mise à la terre. N'utilisez pas d'adaptateur de fiche. Si vous n'êtes pas certain que la prise de courant est correctement mise à la terre, adressez-vous à un électricien qualifié.** En cas de défaillance ou de défectuosité électrique de l'outil, une mise à la terre offre un trajet de faible résistance à l'électricité qui autrement risquerait de traverser l'utilisateur. Evitez tout contact corporel avec des surfaces mises à la terre (tuyauterie, radiateurs, cuisinières, réfrigérateurs, etc.). Le risque de choc électrique est plus grand si votre corps est en contact avec la terre. N'exposez pas les outils électriques à la pluie ou à l'eau. La présence d'eau dans un outil électrique augmente les risques de choc électrique. Ne maltraitez pas le cordon. Ne transportez pas l'outil par son cordon et ne débranchez pas la fiche en tirant sur le cordon. N'exposez pas le cordon à la chaleur, à des huiles, à des arêtes vives ou à des pièces en mouvement. Remplacez immédiatement un cordon endommagé. Un cordon endommagé augmente le risque de choc électrique. Lorsque vous utilisez un outil électrique à l'extérieur, employez un prolongateur pour l'extérieur marqué "W-A" ou "W". Ces cordons sont faits pour être utilisés à l'extérieur et réduisent le risque de choc électrique
- 3. SECURITE DES PERSONNES : Restez alerte, concentrez-vous sur votre travail, et faites preuve de jugement, lorsque vous utilisez un outil électrique. N'utilisez pas un outil électrique si vous êtes fatigué, ou sous l'influence de drogues, d'alcool ou de médicaments.** Un moment d'inattention suffit pour entraîner des blessures graves. Habillez-vous correctement. Ne portez ni vêtements flottants ni bijoux. Attachez les cheveux longs. N'approchez jamais les cheveux, les vêtements ou les gants des pièces en mouvement. Des vêtements flottants, des bijoux ou des cheveux longs risquent d'être happés par des pièces en mouvement. Méfiez-vous d'un démarrage accidentel. Avant de brancher l'outil, assurez-vous que son interrupteur est sur ARRÊT. Le fait de transporter un outil avec le doigt sur la gâchette ou de brancher un outil dont l'interrupteur est en position MARCHE peut mener tout droit à un accident. Enlevez les clés de réglage ou de serrage avant de démarrer l'outil. Une clé laissée dans une pièce tournante de l'outil peut provoquer des blessures. Ne vous penchez pas trop en avant. Maintenez un bon appui et restez en équilibre à tout moment. Une bonne stabilité vous permet de mieux réagir à une situation inattendue. Utilisez des accessoires de sécurité. Portez toujours des lunettes ou une visière. Selon les conditions, portez aussi un masque antipoussière, des bottes de sécurité antidérapantes, un casque protecteur et/ou un appareil antibruit.
- 4. UTILISATION ET ENTRETIEN DES OUTILS: Immobilisez le matériau sur une surface stable au moyen de brides ou de toute façon adéquate.** Le fait de tenir la pièce avec la main ou contre votre corps offre une stabilité insuffisante et peut amener un dérapage de l'outil. Ne forcez pas l'outil. Utilisez l'outil approprié à la tâche. L'outil correct fonctionne mieux et de façon plus sécuritaire. Respectez aussi la vitesse de travail qui lui est propre. N'utilisez pas un outil si son interrupteur est bloqué. Un outil que vous ne pouvez pas commander par son interrupteur est dangereux et doit être réparé. Débranchez la fiche de l'outil avant d'effectuer un réglage, de changer d'accessoire ou de ranger l'outil. De telles mesures préventives de sécurité réduisent le risque de démarrage accidentel de l'outil. Rangez les outils hors de la portée des enfants et d'autres personnes inexpérimentées. Les outils sont dangereux dans les mains d'utilisateurs novices. Prenez soin de bien entretenir les outils. Les outils de coupe doivent être toujours bien affûtés et propres. Des outils bien entretenus, dont les arêtes sont bien tranchantes, sont moins susceptibles de coincer et plus faciles à diriger. Soyez attentif à tout désalignement ou coincement des pièces en mouvement, à tout bris ou à toute autre condition préjudiciable au bon fonctionnement de l'outil. Si vous constatez qu'un outil est endommagé, faites-le réparer avant de vous en servir. De nombreux accidents sont causés par des outils en mauvais état. N'utilisez que des accessoires que le fabricant recommande pour votre modèle d'outil. Certains accessoires peuvent convenir à un outil, mais être dangereux avec un autre.
- 5. REPARATION: La réparation des outils électriques doit être confiée à un réparateur qualifié.** L'entretien ou la réparation d'un outil électrique par du personnel non qualifié peut avoir des conséquences graves. Pour la réparation d'un outil, n'employez que des pièces de rechange d'origine. Suivez les directives données à la section "Réparation" de ce manuel. L'emploi de pièces non autorisées ou le non-respect des instructions d'entretien peut créer un risque de choc électrique ou de blessures.

BACK TO INDEX





REGLES DE SECURITE SPECIFIQUES



- 1 Maintenir l'outil par les surfaces de préhension isolées lors d'une utilisation où la cloueuse peut toucher des fils électriques cachés ou son propre cordon.** Le contact avec un fil "alimenté" entraînerait l'électrisation des parties métalliques exposées de l'outil et l'opérateur recevrait un choc électrique.
- 2 Connaître son outil électrique.** Lire attentivement les instructions du manuel. Apprendre les utilisations, les limites, et les dangers potentiels spécifiques liés à l'outil. Le fait de suivre ces règles permet de réduire le risque de choc électrique, d'incendie ou de blessures graves.
- 3 Toujours porter des lunettes de protection protégées sur les côtés.** Les lunettes courantes n'ont que des verres résistants aux impacts. Ce ne sont PAS des lunettes de protection. Le fait de suivre cette règle réduit le risque de blessure oculaire.
- 4 Protéger ses poumons.** Porter un masque facial ou antipoussière si le travail occasionne de la poussière. Le fait de suivre cette règle réduit le risque de blessures graves.
- 5 Protéger son ouïe.** Porter une protection antibruit lors des longues périodes de travail. Le fait de suivre cette règle réduit le risque de blessures graves.
- 6 Ne pas maltraiter le cordon.** Ne portez jamais l'outil par son cordon. Ne tirez jamais fort sur le cordon pour le débrancher. Maintenez le cordon à l'abri de la chaleur, de l'huile ou de surfaces tranchantes.
- 7 Ne pas tenter d'altérer l'outil.** Votre outil ET200™ possède un temps de cyclage testé. Il est conçu pour fonctionner de façon adéquate à cette vitesse. Toute altération et/ou emploi de pièces de rechange non autorisé représente une mauvaise utilisation qui peut entraîner un danger et des blessures graves. L'emploi de pièces non autorisées et/ou une modification de l'outil annulent automatiquement la garantie.
- 8 Employer uniquement des pièces d'origine ARROW®.**




BACK TO
INDEX

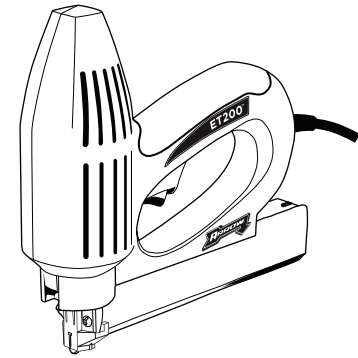




DEFINITION DES SYMBOLES UTILISES SUR L'OUTIL

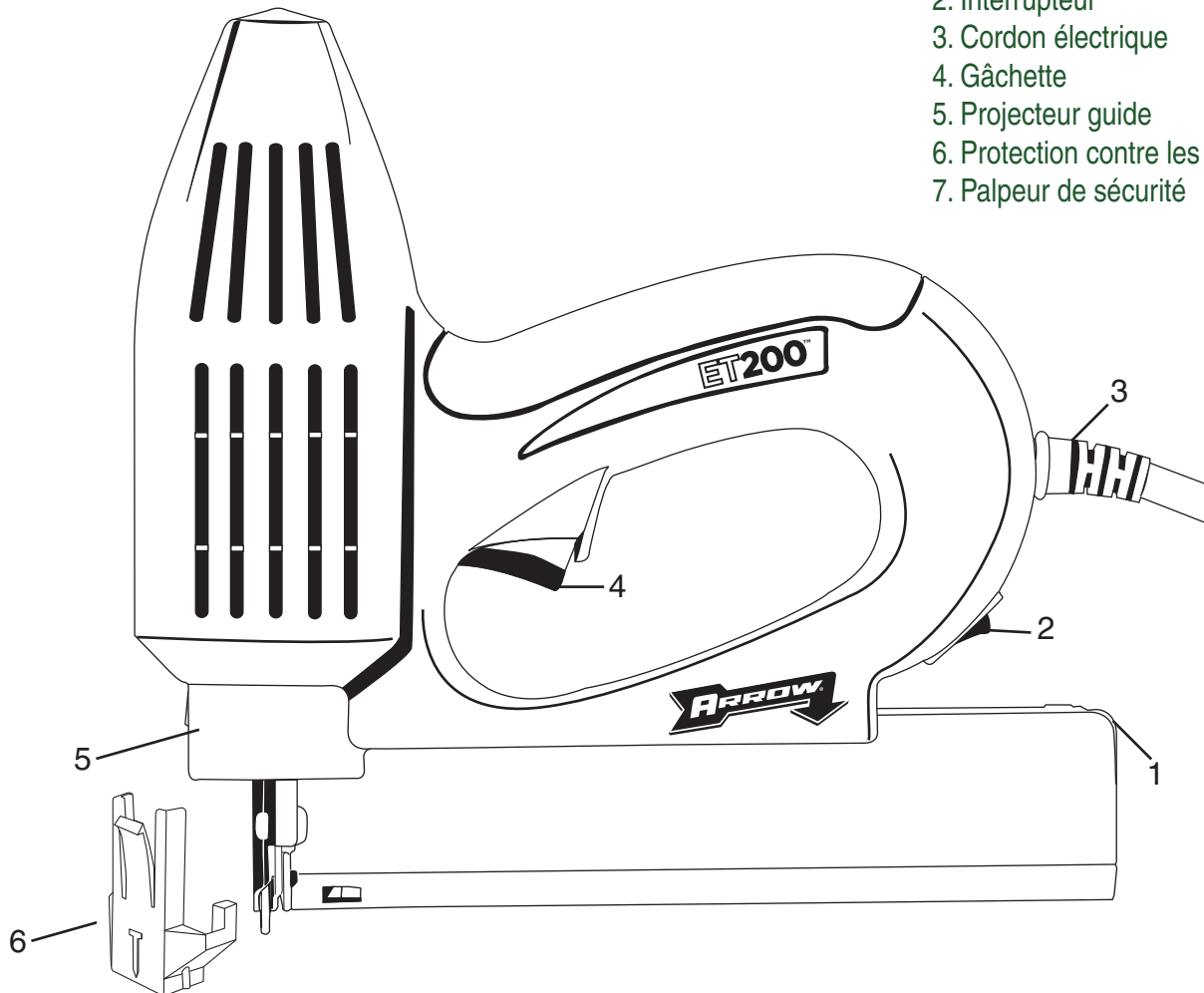
V Volts
A Ampères
Hz Hertz
~ Courant alternatif

 Alarme
 Porter une protection oculaire
 Porter une protection anti-bruit



DESCRIPTION FONCTIONNELLE

1. Montage de la broche du poussoir de clous
2. Interrupteur
3. Cordon électrique
4. Gâchette
5. Projecteur guide
6. Protection contre les rayures
7. Palpeur de sécurité



BACK TO
INDEX





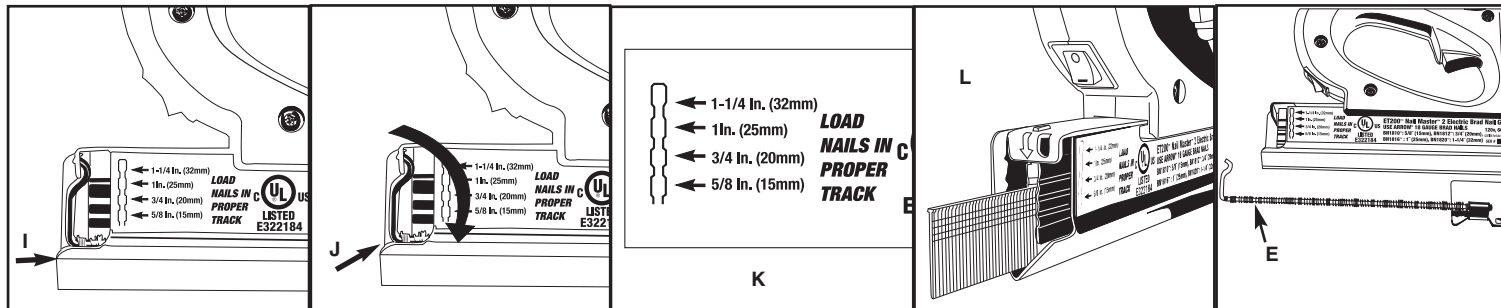
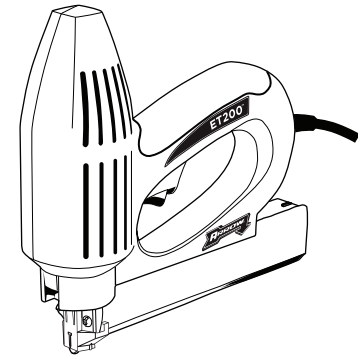
MONTAGE

- 1 S'ASSURER QUE TOUTES LES INSTRUCTIONS DE SECURITE ONT ETE LUES.
- 2 Cet outil est livré monté. Il n'y a pas de montage à effectuer.

FONCTIONNEMENT

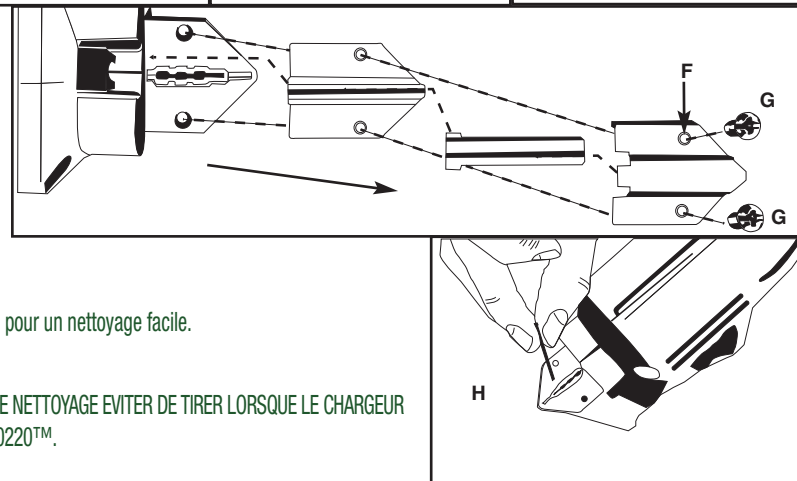
Charger votre outil avec des clous.

1. Débrancher la cloueuse.
2. Pousser la broche du poussoir à l'arrière de l'outil. "I"
3. Amener le loquet vers vous pour faire glisser l'ensemble du poussoir. "J"
4. La cloueuse ET200™/ET200220™ peut planter 3 tailles différentes de clous— 1" (25mm), 3/4" (20mm) et 5/8" (15mm).
5. Suivre le guide "K" sur le côté de l'embase pour insérer les clous dans la bonne piste. Une fois correctement chargés, les pointes ou clous glisseront sur la quille de la chambre. "L"
6. Replacer l'ensemble du poussoir "E" et verrouiller. (Cette procédure permet de placer les clous en position de tir.) S'assurer que l'interrupteur est sur ARRÊT Brancher le cordon. Votre cloueuse est prête pour le tir. Suivre toutes les précautions de sécurité.



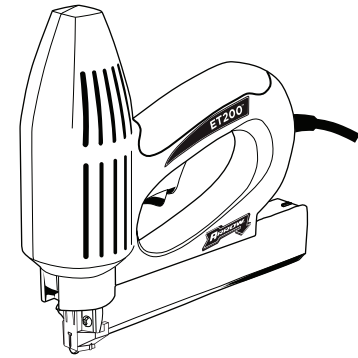
POUR VIDER ET NETTOYER LA CAVITE A CLOUS

1. Débrancher la cloueuse. Maintenir la cloueuse de sorte que les vis de montage du capot avant "F" soient accessibles.
2. Déverrouiller l'ensemble du poussoir. Retirer tous les clous de la chambre. S'assurer que la chambre est complètement vide.
3. Retirer les vis "G" et enlever le capot avant.
4. La glissière de sécurité et le capot sont démontés et permettent d'exposer la cavité à clous pour un nettoyage facile.
5. Nettoyer la cavité à clous. Utiliser un outil ou un clou fin et pointu. "H"
6. LES CLOUEUSES ET200™/ET200220™ DOIVENT TOUJOURS ETRE DEBRANCHEES PENDANT LE NETTOYAGE EVITER DE TIRER LORSQUE LE CHARGEUR DE CLOUS EST VIDE. LES TIRS A BLANC ENDOMMAGERAIENT LES CLOUEUSES ET200™/ET200220™.



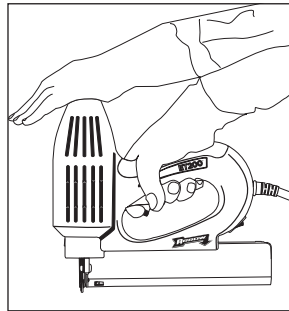
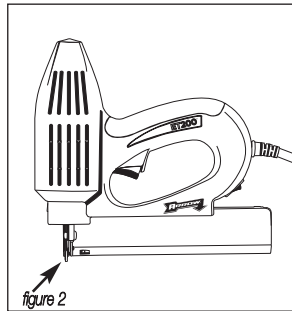
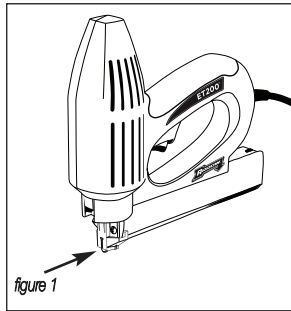
BACK TO INDEX





Projecteur guide.

Votre cloueuse ET200™ est livrée équipée d'une projecteur guide à l'avant de l'outil *figure 1*. La lumière est activée en pressant sur la gâchette. Votre cloueuse ET200™ possède un interrupteur de sécurité à la sortie des clous *figure 2* qui empêche votre outil de tirer lorsqu'il n'est pas en contact avec une surface de travail. Pour utiliser correctement votre projecteur guide à LED, commencer à presser la gâchette avant que l'outil n'atteigne la surface de travail. Une fois en contact avec la surface de travail, relâcher la gâchette, puis presser à nouveau sur la gâchette pour planter un clou. Cette technique vous aidera lorsque vous devrez planter des clous dans des coins étroits ou sous un mauvais éclairage.



Sur des surfaces très dures, le tir avec recul peut gêner la pénétration des clous. Vous pouvez augmenter la puissance de tir en plaçant fermement une main sur le capot.

MAINTENANCE

Votre cloueuse ET200™ ne nécessite pratiquement aucune maintenance. Conservez l'outil propre et dépoussiéré. Essayez avec un chiffon sec et n'employez pas de produits chimiques abrasifs pour nettoyer votre cloueuse ET200™.

ET200™ (120v) Utilisez une rallonge #12	ET200220™ (220-240v) Utiliser exclusivement une rallonge avec terre
---	---

Votre cloueuse ET200™ ne contient aucune pièce réparable par l'utilisateur. Dans le cas rare où votre cloueuse ET200™ nécessiterait une réparation, veuillez contacter :

Arrow Fastener Co., LLC
271 Mayhill Street, Saddle Brook, N.J. 07663
Téll. 201 843-6900

BACK TO INDEX



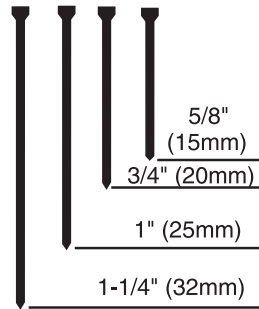


ACCESSOIRES

INCLUS BUTÉE DE PROTECTION AMOVIBLE

Peut être retiré pour travailler dans des endroits restreints.

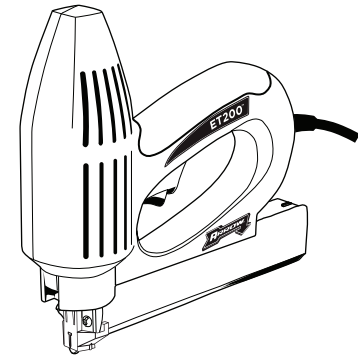
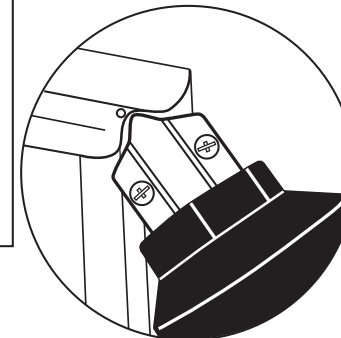
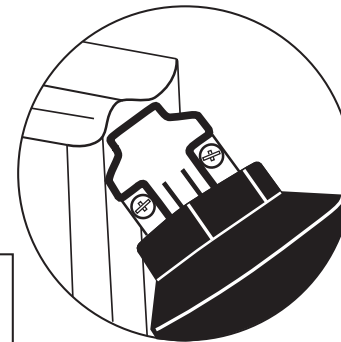
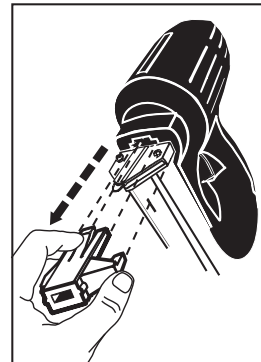
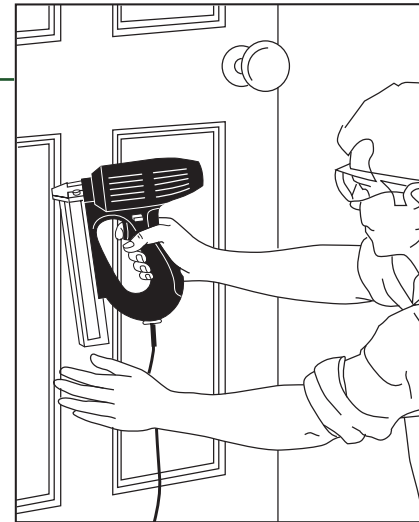
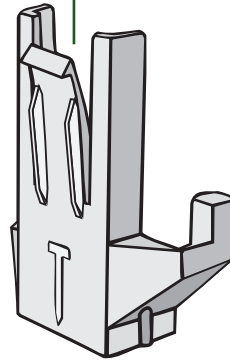
ET200™/ ET200220™



4

GRANDEUR DES CLOUSS

Les clous Genuine Arrow® Brad sont disponibles dans les quincailleries, magasins d'outillage, chantiers de bois et partout où sont vendus les outils.

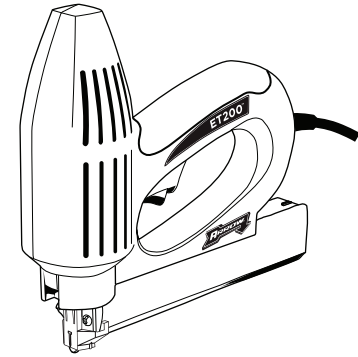


BACK TO
INDEX





Garantie



Garantie limitée à 1 an

La société Arrow® Fastener Company garantit à l'acheteur consommateur d'origine ("vous") que ce produit est exempt de défauts d'origine dans les matériaux et la fabrication pendant 1 an à compter de son achat. Si le produit n'est pas conforme à cette garantie, Arrow® effectuera, au choix, la réparation ou le remplacement du produit avec un produit équivalent, sans frais pour l'acheteur. Cette garantie n'est pas transférable. Pour une meilleure performance, utilisez les clous d'origine Arrow®. Les clous Arrow® sont fabriqués pour des tolérances exactes afin d'assurer une performance de cloutage sans difficultés. Cette garantie ne couvre pas les défauts ou dommages liés à l'utilisation de clous qui ne sont pas de marque Arrow®. Cette garantie ne couvre pas non plus les dommages liés à la détérioration, la mauvaise utilisation, la maltraitance, la négligence, l'accident, les catastrophes naturelles, ou l'altération du produit sans le consentement d'Arrow. **DANS LES LIMITES AUTORISEES PAR LA LOI, TOUTE GARANTIE IMPLICITE, Y COMPRIS TOUTE GARANTIE DE QUALITE MARCHANDE OU DE COMPATIBILITE POUR UN USAGE PARTICULIER, EST LIMITEE A LA MEME DUREE QUE LA GARANTIE EXPRESSE.** Certains états n'autorisent pas de limites quant à la durée d'une garantie implicite. Les limitations ci-dessus ne s'appliquent pas dans ce cas. **AUCUNE AUTRE GARANTIE EXPRESSE N'A ETE OU SERA ETABLIE PAR ARROW® CONCERNANT CE PRODUIT. ARROW® NE DOIT PAS ETRE TENU POUR RESPONSABLE DANS LE CAS DE DOMMAGES SPECIFIQUES, ACCESSOIRES OU INDIRECTS SURVENANT SOIT D'UNE PERTE DE GARANTIE, RUPTURE DE CONTRAT, PREJUDICES OU AUTRES.** Certain états n'autorisent pas l'exclusion des dommages accessoires ou indirects. L'exclusion et les limites ci-dessus ne s'appliquent pas dans ce cas. Cette garantie vous donne des droits légaux spécifiques; d'autres droits peuvent vous être accordés selon les états. Cette garantie n'affecte pas vos droits statutaires. Au Canada, les dispositions ci-dessus ne sont pas destinées à être appliquées si elles sont interdites par la loi et n'excluent pas la mise en oeuvre de tout statut de protection du consommateur applicable. Ce statut peut dans certaines circonstances étendre la garantie expresse. Pour obtenir le bénéfice de cette garantie, vous devez envoyer le produit solidement emballé avec preuve d'achat et frais d'envoi pré-payés à:

Arrow Fastener Co., LLC
271 Mayhill Street, Saddle Brook, N.J. 07663

BACK TO
INDEX



Free Manuals Download Website

<http://myh66.com>

<http://usermanuals.us>

<http://www.somanuals.com>

<http://www.4manuals.cc>

<http://www.manual-lib.com>

<http://www.404manual.com>

<http://www.luxmanual.com>

<http://aubethermostatmanual.com>

Golf course search by state

<http://golfingnear.com>

Email search by domain

<http://emailbydomain.com>

Auto manuals search

<http://auto.somanuals.com>

TV manuals search

<http://tv.somanuals.com>