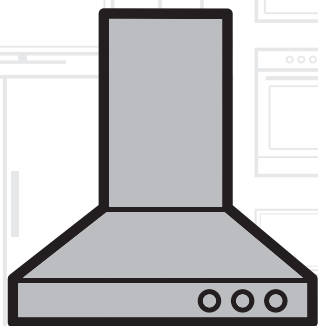


Hood

User Manual



BHCB 61632 XH |

EN
SQ

ES
CZ

KA

NL

PT

RO

01M-8897273200-4820-06

beko

Please read this guide first!

Dear Customer,

Thank you for choosing a BEKO product. We would like you to achieve the optimal efficiency from this high quality product which has been manufactured with state of the art technology. Please make sure you read and understand this guide and supplementary documentation fully before use and keep it as a reference. Include this guide with the unit if you hand it over to someone else. Observe all warnings and information herein and follow the instructions.

Keep in mind that this user guide may apply to several product models. The guide clearly indicates any variations of different models.

Symbols and their meanings

These symbols are used throughout this guide:



Important information and recommendations regarding the use of the appliance.



CAUTION: Warnings on personal injury or property damage.



Electric shock warning,



Risk of fire warning.



This product has been manufactured at modern facilities respectful to the environment without harming nature.

CONTENTS

ENGLISH	04-16
ESPAÑOL	17-34
KARTULI	35-53
NEDERLANDS	54-69
PORTUGUÊS	70-86
ROMÂNĂ	87-104
SHQIPTARE	105-120
ČESKY	121-136

1.1 General Safety

Important Safety Instructions Read Carefully And Keep For Future Reference This section contains safety instructions that will help protect from risk of fire, electric shock, exposure to leak microwave energy, personal injury or property damage. Failure to follow these instructions shall void any warranty.

- Beko products comply with the applicable safety standards; therefore, in case of any damage on the appliance or power cable, it should be repaired or replaced by the dealer, service center or a specialist and authorized service alike to avoid any danger. Faulty or unqualified repair work may be dangerous and cause risk to the user.
- This appliance is intended to be used in household and similar applications such as:
 - Staff kitchen areas in shops, offices and other working environments;
 - Farm houses
 - By clients in hotels, and other residential type environments;
 - Bed and Breakfast type environments.
- Operate the appliance for its intended purpose only as described in this manual.
- The manufacturer cannot be held liable for damages resulting from improper installation or misuse of the product.
- This appliance can be used by children aged from 8 years and above and persons

with reduced physical, sensory or mental capabilities or lack of experience and knowledge if they have been given supervision or instruction concerning use of the appliance in a safe way and understand the hazards involved.

- Children shall not be allowed play with the appliance. Cleaning and user maintenance shall not be made by children without supervision.
 - The minimum distance between the supporting surface for the cooking vessels on the hob and the lowest part of your product must be at least 65 cm.
 - If the instructions for installation for the gas hob specify a greater distance, this has to be taken into account.
 - Make sure that your mains power supply complies with the information supplied on the rating plate of the appliance.
 - Never use the appliance if the power cable or the appliance itself is damaged.
 - Prevent damage to the power cable by not squeezing, bending, or rubbing it on sharp edges. Keep the power cable away from hot surfaces and naked flame.
 - Use the appliance with a grounded outlet only.
- WARNING:** Do not connect the appliance to the mains until the installation is fully complete.
- Place the appliance in a way so that the

plug is always accessible.

- Do not touch the lamps if they have operated for a long time. They can burn your hands since they will be hot.
- Follow the regulations set out by competent authorities on discharge of the exhaust air (this warning is not applicable for use without Chimney).
- Operate your appliance after putting a pot, pan etc. on the hob. Otherwise, high heat may cause deformation in some parts of your product.
- Turn off the hob before taking the pot, pan etc. from it.
- Do not leave hot oil on the hob. Pans with hot oil may cause self combustion.
- Pay attention to your curtains and covers since oil may catch fire while cooking food such as fries.
- Grease filter must be replaced at least monthly. Carbon filter must be replaced at least every 3 months.
- Product shall be cleaned accordance with user manual. If cleaning was not carried out in accordance with user manual, there may be fire risk.
- Do not use non-fire-resistant filtering materials instead of the current filter.
- Only use the original parts or parts recommended by the manufacturer.
- Do not operate the product without the filter and do not remove the filters while the product is running.
- In the event of be started any flame, de-energize your product and cooking appliances.
- In the event of be started any flame, cover the flame and never use water to extinguish.
- Unplug the appliance before each cleaning and when the appliance is not in use.
- The negative pressure in the environment should not exceed 4 Pa (4 x 10 bar) while the hood for electric hob and appliances running on another type of energy but electricity operate simultaneously.
- In the environment where the appliance is being used, the exhaust of devices running on fuel oil or gas, such as room heater must be absolutely isolated or device must be hermetical type.
- When connecting the Chimney, use pipes with a diameter of 120 or 150 mm. Pipe connection must be as short as possible and have as few elbows as possible.

Danger of choking! Keep all the packaging materials away from children.

CAUTION: Accessible parts may become hot when used with cooking appliances.

- The product outlet must not be connected to air channels that include other smoke.
- The ventilation in the room may be insufficient when the hood for electric hob is

used simultaneously with the devices operating on gas or other fuels (this may not apply to appliances that only discharge the air back into the room).

- Objects placed on the product may fall. Do not place any objects on the product.
- Do not flambe under the your product.

WARNING: Before installing the Hood, remove the protective films.

- Never leave high naked flames under the hood when it is in operation
- Deep fat fryers must be continuously monitored during use; overheated oil can burst into flames.

1.2 Compliance with the WEEE Directive and Disposing of the Waste Product:

This product complies with EU WEEE Directive (2012/19/EU). This product bears a classification

symbol for waste electrical and electronic equipment (WEEE).



This symbol indicates that this product shall not be disposed with other household wastes at the end of its service life. Used device must

be returned to official collection point for recycling of electrical and electronic devices. To find these collection systems please contact to your local authorities or retailer where the product was purchased. Each household performs important role

in recovering and recycling of old appliance. Appropriate disposal of used appliance helps prevent potential negative consequences for the environment and human health.

1.3 Compliance with RoHS Directive

The product you have purchased complies with EU RoHS Directive (2011/65/EU). It does not contain

harmful and prohibited materials specified in the Directive.

1.4 Package Information



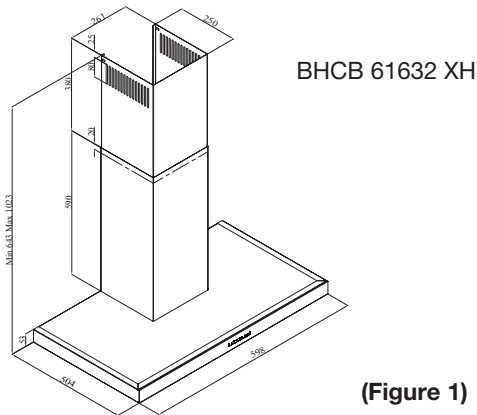
Packaging materials of the product are manufactured from recyclable materials in accordance with our

National

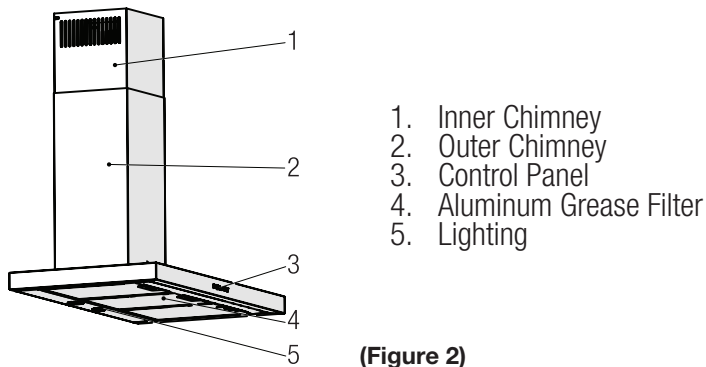
Environment Regulations. Do not dispose of the packaging materials together with the domestic or other wastes. Take them to the packaging material collection points designated by the local authorities.

2 General Appearance

2.1 Overview



(Figure 1)



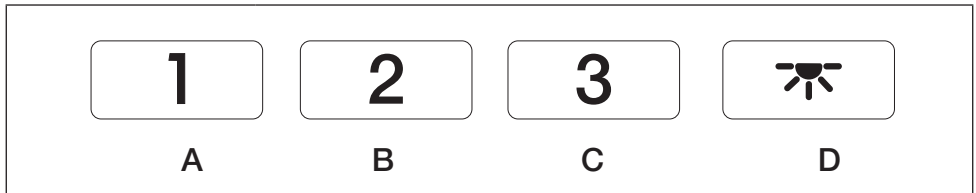
(Figure 2)

2.2 Technical Data

Model	BHC61632 XH
Supply voltage	220-240V ~ 50 Hz
Lamp Power	2 x 3 W
Motor Power	210 W
Flow rate (m ³ /h) – 3. Level	612 m ³ /h
Insulation Class of Motor	Class F
Insulation Class	Class I

3 Operation of the Appliance

3.1 Controlling the Appliance



KEY	FUNCTION
(A) : 1. Stage Button	Operates the appliance on 1st speed. When you press this button again to turn off the appliance, the screen speed stage turns off.
(B) : 2. Stage Button	Operates the appliance on 2nd speed. When you press this button again to turn off the appliance, the screen speed stage turns off.
(C) : 3rd Stage Button	Operates the appliance on 3rd speed. When you press this button again to turn off the appliance, the screen speed stage turns off.
(D) : Light On / Off	You may illuminate the cooking area by pressing this button. Re-press the button to turn off the lamp.

3.2 Energy Efficient Usage

- When using your appliance, adjust the speed settings according to vapour and odour intensity, in order to save energy.
- Use low speeds (1-2) under normal conditions, and high speed (3) for intense odour and vapour.
- * The lamps on the hood are placed for illuminating the cooking area.

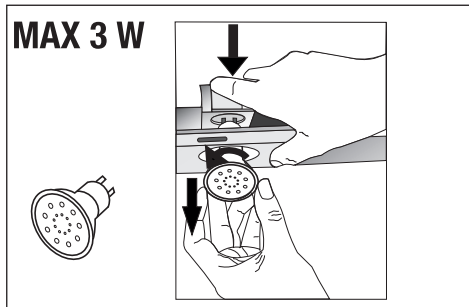
Using them for environmental lighting shall cause unnecessary energy expenditure and insufficient lighting.

3.3 Operating the Hood

- Your appliance contains a motor that has various speeds.
- For better performance, we recommend using low speeds under normal conditions and high speeds in cases of strong odours and intense vapour.
- You can start your appliance by pressing on the desired speed setting button. (A, B, C)
- You may illuminate the cooking area by pressing the lamp (D).

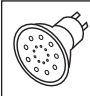
3 Operation of the Appliance

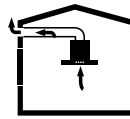
3.4 Replacement of Lamp



(Figure 3)

Make the electrical connections of the appliance. Your appliance uses 3W spot LED lamp. For replacing the lamps, push downwards on the holder from its behind, turn it counter-clockwise, and take it out downwards. Apply the above operation in reverse to install new lamps (Figure 3).

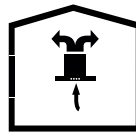
Bulb	
Bulb Power (W)	3
Holder / Socket	GZ 10
Bulb Voltage (V)	220 - 240
Size (mm)	53 x 50
ILCOS Code	DR/F3-220-240-GZ10-50-53



3.5 Operation with Chimney Connection

- Vapour is extracted through the flue duct, which is fastened to the connection head on the hood.
- The diameter of the flue duct must be the same as the connection ring. In horizontal settings, the pipe has to have a slight upward slope (around 10°) so that the air can exit the room easily.

3.6 Operation without Chimney Connection



- Air is filtered through the carbon filter and recirculated in the room. Carbon filter is used when it is impossible to use a flue in the house.
- In flueless use, remove the flaps inside the flue adapter.
- Remove the aluminum grease filter. To install the carbon filter, fit the filter to the tabs by centring it on the plastic piece on both sides of the fan body. Tighten it by turning right or left.
- Replace aluminum grease filter.

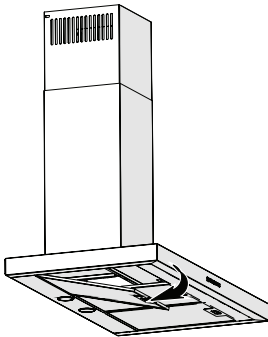
4 Cleaning and Maintenance



Before cleaning and maintenance, unplug the product or turn off the switch.

4.1 Cleaning of Aluminum Grease Filter

Aluminum grease filter is used to retain the oil particles in the air. Aluminum grease filter may change colour after repeated cleaning. This is normal, and you do not have to replace your filters.



(Figure 4)

- Push the aluminum grease filter lock forward.
- Then pull it slightly down and pull it out (Figure 4). Otherwise, you may bend the filter. Wash and rinse aluminum grease filter with liquid detergent and replace aluminum grease filter to their seats by carrying out the steps specified above in reverse order. These aluminum grease filter are used to retain the oil particles in the air.



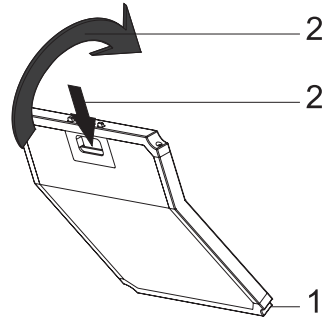
You may also wash the aluminum grease filter in the washing machine.



CAUTION

In case of normal use, clean your aluminum grease filter once in a month.

4.2 Replacement of Carbon Filters



(Fig. 5)

The appliance you have purchased is appropriate for use with carbon filters.

- Remove the aluminum grease filter (Figure 4).
- Place the lower part of the carbon filter to the motor cabinet (Figure 5).
- Press on the tab of the carbon filter and push it forward, and ensure that the tabs of carbon filter are engaged and locked. (Figure 5).
- Attach the aluminum grease filter.



CAUTION

Carbon filter shall never be washed.



CAUTION

Replace carbon filters once every 3 months.



CAUTION

You can obtain the carbon filter from the authorized services.

5 Installation Of Appliance



WARNING!

Before starting the installation, read the safety information on User Manual.



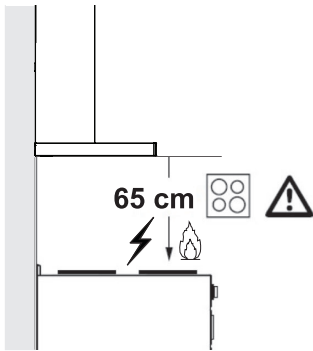
WARNING!

Failure to install with screws and stabilizers in accordance with these instructions may result in electric shock.

For the installation of the hood, please contact the nearest Authorized Service.

It is the customer's responsibility to prepare the location and electrical installation of the hood.

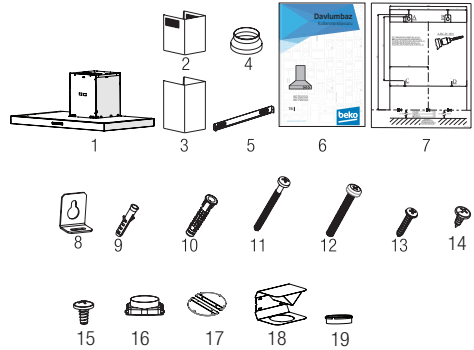
5.1 Position of the Appliance



(Figure 6)

- Distance between the cooker and the cooker hood must be considered prior to assembly. This distance should be 65 cm (Figure 6).
- Distance must be measured from the surface of grate for gas cookers,
- from surface of glass for electric cookers.

5.2 Installation Accessories



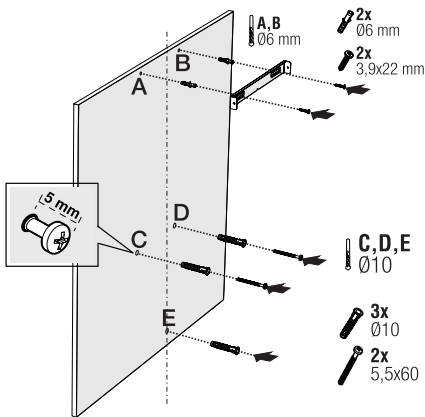
1. Product
2. Inner Chimney
3. Outer Chimney
4. Ø150/120 mm Plastic Flue Adapter
5. Chimney Connection Plate
6. User Manual
7. Assembly Pattern
8. 6x Hanging Plates
9. 6x Ø6mm Plastic Dowel
10. 3x Ø10mm Plastic Dowel
11. 3x 5.5x60 Wall Mount Screw
12. 2x M5x35 Hanging Plate Connection Screw
13. 6x 3.9x22 Chimney Connection Plate Screw
14. 2x 3,5x9,5 Chimney Connection Plate Screw
15. 2X 3,5X9,5 Blind Screw
16. Plastic Adapter (Square to Round)
17. Non-Return Valve
18. Air Baffle
19. Plastic Adapter (Air Diverter)

The information required to make the location suitable for the installation of the hood is given below.

5 Installation Of Appliance

5.3 Wall Mounting

- Wall must be flat, straight and have the sufficient bearing capacity.
- Depth of drilling holes must comply with the length of bolts.
- The bolts and dowels provided are suitable for brick walls. For other construction material (e.g. drywall, plate, porous concrete), suitable fixing dowels and nuts shall be used.



(Figure 7)

CAUTION

Before drilling, ensure that there are no power, gas or water pipes in the close proximity of the drilling locations.

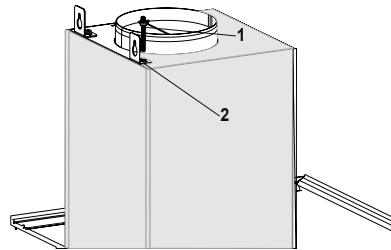
Draw a mid location line from the ceiling perpendicular to the lower edge of the hood ().

Fix the assembly scheme on the wall. For points A and B, take the maximum dimensions of the hood as reference, and drill points A and B you have marked with a Ø6mm drill bit, and tap Ø6mm plastic wall plugs. Install

the chimney connection plate to the wall with 2 pieces of 3.9x22 screws (Figure 8).

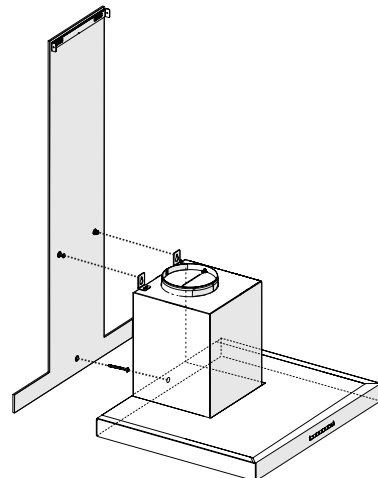
To install the hood body, drill points C,D,E specified in the installation template with a Ø10mm drill bit and tap Ø10mm plastic dowels to these points (Figure 8).

Install 2 pieces of 5.5x60 mounting screws to points C and D with a clearance of 5 mm between the screw head and the wall (Figure 8).



(Figure 8)

Install two pieces of hanging plates to the body of the hood with M5x35 mounting screws (Figure 8).



(Figure 9)

5 Installation Of Appliance

Hold the cooker hood by its body and place it on the mounting screws on the wall and tighten the screws (Figure 9).

Secure the cooker hood with 5.5x60 screws to the wall through the mounting hole on the interior of the appliance (Figure 9).

5.4 Connecting to Chimney

If you are going to use the \varnothing 120/150 mm plastic Chimney adapter, connect one end of the pipe to this adapter, if you are not going to use it, to the direct output on the product. Connect the other end of the pipe to your Chimney. Check that these two connections are tight enough so they will not come out when the appliance runs on full power. Check if the flaps inside the Chimney operate when they are tightened

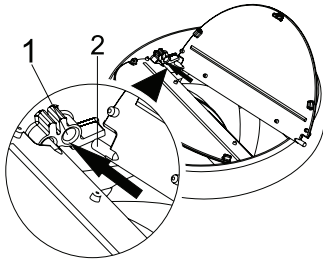
with clamps. Connect the Chimney connection duct outside the adapter (Figure 11/a). If the connection duct is fitted inside the adapter, suction of air shall not occur as the Chimney flap that prevents the return of air will remain closed (Figure 11 / b). The length of the pipe connection as well as the number of elbows must be as minimum as possible.

A : Chimney exit pipe

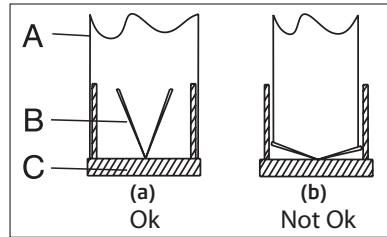
B : Non return flaps

C : Plastic flue

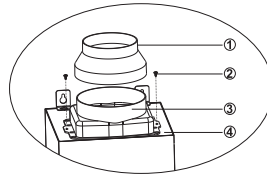
The valves are closed then the appliance is not operating and prevent possible outside odour and dust from entering inside.



(Figure 10)



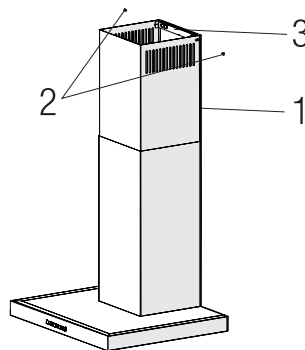
(Figure 11)



(Figure 12)

5.5 Installation of the Hood to the Chimney

Make the electrical connection of your hood before starting the installation of the Chimney. Slip the Chimney plates around the body. Install the Chimney plate to the Chimney fastening plate that is secured to the wall from its upper outer edges (Figure 13).



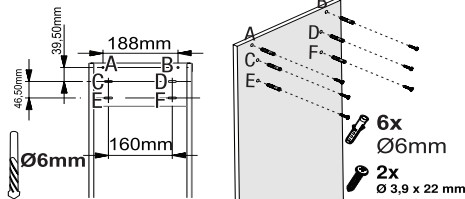
(Figure 13)

1. Inner Chimney
2. 3.5x9.5 Screw
3. Chimney Connection Plate

5 Installation Of Appliance

5.6 Installation of Air Baffle

While using with the carbon filter, air baffle is provided with your appliance with the aim of re-releasing the air which is cleaned with carbon filter from the perforated located on the Chimney . Assemble the air baffle as below.



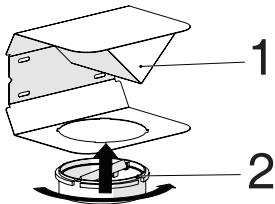
(Fig. 14)

There is a tab in the middle of the Chimney connection plate. Place the middle point of this tab on the line that is drawn perpendicular to the wall. Align horizontally and mark the holes where the connection plate will be mounted via a pen (Figure 14 / A, B).

Drill the marked points with Ø6mm drill and insert two Ø6mm plastic dowels in the drilled holes (Figure 14 / A, B).

Fix the Chimney connection plate to the wall with 3.9x22 screws (Figure 14/ A, B).

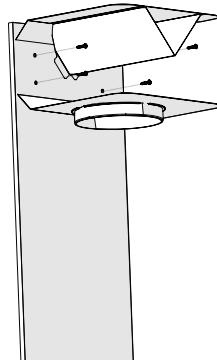
For air baffle assembly, install point C, D, E, F with Ø6mm drill and Ø6mm plastic dowels (Figure 14).



(Fig. 15)

1- Air Baffle
2- Plastic Chimney

Attach the plastic Chimney adapter, which is included in the package, in the direction of the air baffle. Lock the Chimney adapter by turning it in the direction of the arrow (Figure 15).

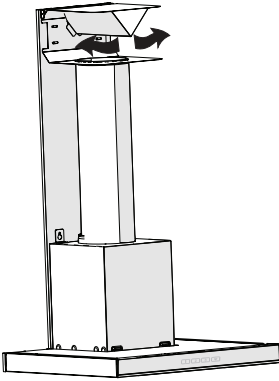


(Figure 16)

Assemble the air baffle group with 3.9 x 22 screws from point C, D, E, F that you have already prepared (Figure 14).

Assemble the hood body (Page 12 / Figure 7).

5 Installation Of Appliance



(Fig. 17)

1- Aluminium Air Outlet Pipe
Make the air outlet pipe assembly (Figure 17).



Since twists and bends in the aluminium pipe will lead to reduction in the air suction power, avoid using twists and bends as much as possible.

Install the Chimney plates of the hood (Page 13 / Figure 13)

6 Troubleshooting

Troubleshooting	Root Cause	Help
Appliance is not working.	Check your fuses.	Fuse may be blown, inspect and restore it.
Appliance is not working.	Check the electrical connection.	Mains voltage shall be between 220 and 240 V.
Appliance is not working.	Check the electrical connection.	Check if other appliance in your kitchen operate.
Illumination light does not operate.	Check the electrical connection.	Mains voltage shall be between 220 and 240 V.
Illumination light does not operate.	Inspect the lamp switch.	Lamp switch shall be at "on" position.
Illumination light does not operate.	Inspect the lamps.	The lamps of the appliance shall illuminate.
Air inlet of the appliance is inadequate.	Inspect the aluminium filter.	Under normal operating conditions, aluminum grease filter shall be cleaned at least once in a month.
Air inlet of the appliance is inadequate.	Check the air discharge chimney .	The air discharge chimney shall be at "on" position.
Air inlet of the appliance is inadequate.	Inspect the carbon filter.	The filters of the appliances with carbon filters shall be replaced once in every 3 months under normal conditions.

¡Por favor, lea esta guía primero!

Estimado cliente,

Gracias por elegir un producto BEKO. Nos gustaría que sacara el máximo provecho de este producto de alta calidad que ha sido fabricado con tecnología punta. Por favor, asegúrese de leer y entender completamente esta guía y la documentación complementaria antes de usarla y guárdela como referencia. Entregue esta guía junto al aparato si se entrega o vende a otra persona. Observe todas las advertencias e información aquí contenidas y siga las instrucciones.

Tenga en cuenta que esta guía del usuario se puede aplicar a varios modelos de aparato. La guía indica claramente las posibles variaciones de los diferentes modelos.

Símbolos y sus significados

Estos símbolos se utilizan a lo largo de esta guía:



Información importante y recomendaciones sobre el uso del aparato.



PRECAUCIÓN: Advertencias sobre lesiones personales o daños a la propiedad.



Advertencia de descarga eléctrica,



Riesgo de fuego.



Este producto fue fabricado sin dañar la naturaleza en instalaciones modernas respetuosas con el medio ambiente.

Cumple con la Directiva WEEE.



No incluye PCB.

1.1 Seguridad general

Lea las instrucciones importantes de seguridad y guárdelas para su futura consulta

Esta sección contiene instrucciones de seguridad que ayudarán a la protección contra los riesgos de incendio, descargas eléctricas, exposición a la energía de microondas, lesiones personales o daño a la propiedad. El incumplimiento de estas instrucciones anulará cualquier tipo de garantía.

- Los productos Beko cumplen con todas las normas de seguridad aplicables; por ello, si el cable o el aparato presentan daños, deberán ser reparados o sustituidos por el distribuidor, un servicio técnico o una persona cualificada y autorizada para evitar cualquier peligro. Los trabajos de reparación deficientes o realizados por personal no cualificado puede ser peligrosos y entrañar riesgos para el usuario.
- Este aparato está destinado al uso doméstico y aplicaciones parecidas, como por ejemplo:
 - Cocinas para uso del personal de tiendas, oficinas y otros entornos laborales;
 - Casa rurales;

- Por clientes en hoteles o cualquier otro tipo de entorno residencial;
- Entornos de tipo «Habitación y desayuno» (Bed and Breakfast).
- Utilice este aparato únicamente para su uso previsto, tal como se describe en este manual.
- El fabricante no se hace responsable de los daños provocados por una instalación incorrecta o un uso inapropiado del producto.
- Este aparato puede ser utilizado por niños mayores de 8 años y por personas con capacidades físicas, sensoriales o mentales reducidas o con falta de experiencia y conocimientos, siempre que estén bajo supervisión o hayan recibido instrucciones pertinentes sobre el uso del aparato de manera segura y comprendan los peligros que conlleva.
- No deje que los niños jueguen con el aparato. La limpieza y mantenimiento del usuario no deben ser realizados por niños sin supervisión.
- La distancia mínima entre la superficie de soporte de los recipientes para cocinar en los fogones y la parte más baja de su aparato debe ser de al menos 65 cm.

- Si en las instrucciones de instalación de la placa de gas se indica una distancia superior, deberá tenerse en cuenta este hecho.
 - Asegúrese de que la fuente de alimentación cumpla con la información que se indica en la placa de datos del aparato.
 - Nunca utilice el aparato si está dañado el cable de alimentación o el mismo aparato.
 - Evite daños al cable procurando que no sufra tirones, no se doble y no roce con bordes afilados para evitar dañarlo. Mantenga el cable de corriente alejado de superficies calientes y llamas descubiertas.
 - Use el aparato únicamente con un enchufe con toma a tierra.
- ADVERTENCIA:** No conecte el aparato a la red eléctrica antes de que la instalación se haya realizado por completo.
- Coloque siempre el aparato de forma que el enchufe quede a mano.
 - No toque las lámparas si han estado en funcionamiento durante mucho tiempo. Pueden ocasionar quemaduras en las manos ya que estarán calientes.
 - Siga las normas establecidas por las autoridades competentes para la descarga del aire de salida (esta advertencia no es aplicable sin la conexión de la chimenea).
 - Encienda el aparato después de colocar una olla, una sartén, etc, en los fogones. De lo contrario, las altas temperaturas pueden provocar deformaciones en algunas partes del aparato.
 - Apague los fogones antes de retirar las ollas, los sartenes, etc.
 - No deje aceite caliente en los fogones. Las sartenes con aceite caliente pueden ocasionar auto-combustión.
 - Preste atención a las cortinas y los estores, ya que, al cocinar platos como patatas fritas, el aceite puede originar un incendio.
 - El filtro antigrasa se debe reemplazar por lo menos una vez al mes. El filtro de carbón se debe reemplazar por lo menos cada 3 meses.
 - El producto se debe limpiar siguiendo las instrucciones del manual de usuario. Si la limpieza no se ha llevado a cabo siguiendo el manual de usuario, puede haber riesgo de incendio.
 - No use materiales filtrantes que no resistan el fuego en vez del filtro ac-

tual.

- Utilice únicamente accesorios originales o bien los que recomiende el fabricante.
- No use el aparato sin el filtro y no retire los filtros mientras el aparato esté en funcionamiento.
- En caso de fuego, desactive su producto y los aparatos de cocina.
- En caso de fuego, cubra la llama y nunca utilice agua para apagarlo.
- Desenchufe el aparato antes de cada limpieza y cuando no esté en uso.
- La presión negativa de la estancia no debe superar los 4 Pa (4 x 10 bar) cuando la campana para una placa eléctrica funcione simultáneamente con dispositivos de otro tipo de energía excepto la electricidad.
- En la estancia en donde se encuentra el aparato, el escape de equipos de combustible o gas, como calefactores, deben ser herméticos o estar absolutamente aislados.
- Para la conexión de la chimenea, use tuberías de 120 o 150 mm de diámetro. La conexión de las tuberías debe ser lo más corta posible y tener la menor cantidad de codos de tubería.

¡Peligro de descarga eléctrica! Mantenga todos los materiales de embalaje alejados de los niños.

PRECAUCIÓN: Las partes accesibles pueden alcanzar temperaturas elevadas al usarse con cocinas.

- El canal de salida del aparato no debe estar conectado a canales de aire por los que pasan humo.
- La ventilación de la estancia puede ser insuficiente cuando la campana extractora para placas eléctricas se utiliza al mismo tiempo que los aparatos que funcionan con gas u otros combustibles (esto puede no ser aplicable a los aparatos que solamente descargan el aire de nuevo en la estancia).
- Los objetos colocados encima del producto pueden caerse. No coloque ningún objeto encima del aparato.
- No flambea debajo del aparato.

ADVERTENCIA: Antes de instalar la campana, retire las películas protectoras.

- No dejar llamas altas descubiertas debajo de la campana extractora cuando está en funcionamiento
- Las freidoras se deberán vigilar continuamente durante su utilización: el aceite sobrecalentado es

inflamable.

1.2 De conformidad con la Directiva RAEE y eliminación del producto al final de su vida útil:

Este producto cumple con la Directiva RAEE de la UE (2012/19/UE). Este producto lleva un símbolo de clasificación de residuos de aparatos eléctricos y electrónicos (RAEE).



Este símbolo indica que este producto no debe eliminarse con otros residuos domésticos al final de su vida útil. El aparato usado debe ser devuelto al punto de recogida oficial para el reciclaje de aparatos eléctricos y electrónicos. Para encontrar estos sistemas de recogida, por favor, póngase en contacto con las autoridades locales o con el distribuidor donde se compró el producto. Cada hogar desempeña un papel importante en la recuperación y el reciclaje de los aparatos viejos.

La eliminación adecuada de los aparatos usados ayuda a prevenir las posibles consecuencias negativas para el medio ambiente y la salud humana.

1.3 Conformidad con la Directiva RoHS

El producto que ha adquirido cumple con la Directiva RoHS de la UE

(2011/65/UE). No contiene materiales peligrosos ni prohibidos especificados en la Directiva.

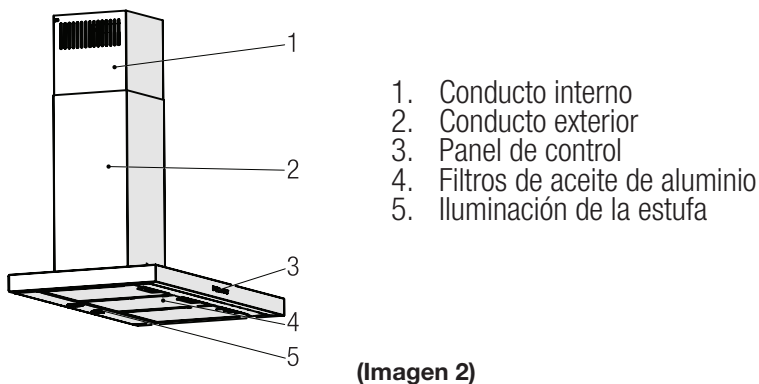
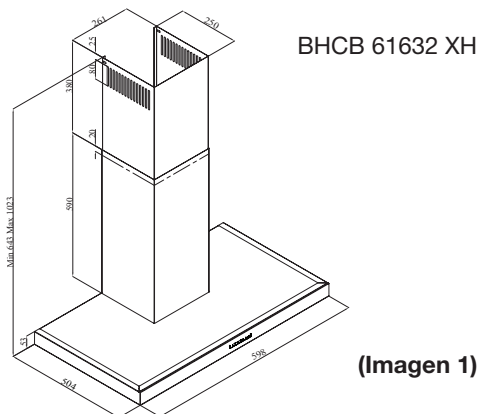
1.4 Información sobre el embalaje



Los materiales de embalaje del producto están fabricados con materiales reciclables de acuerdo con nuestra Normativa Medioambiental Nacional. No deseche los materiales de embalaje junto con los residuos domésticos o de otro tipo. Llévelos a los puntos de recogida de material de embalaje designados por las autoridades locales.

2 Apariencia general

2.1 Visión de conjunto

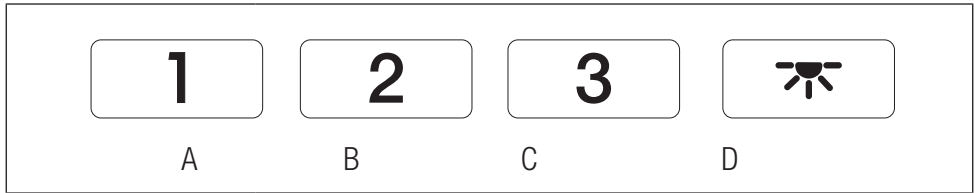


2.2 Datos técnicos

Modelo	BHCB 61632 XH
Tensión de alimentación	220-240V ~ 50 Hz
Potencia de la lámpara (W)	2 x 3 W
Potencia del motor (W)	210 W
Caudal (m ³ /h) - 3. Nivel	612 m ³ /h
Clase de aislamiento del motor	Clas F
Clase de aislamiento	Class I

3 Funcionamiento del aparato

3.1 Control del aparato



BOTÓN	FUNCIÓN
(A) : 1. Botón de nivel	Hace funcionar el aparato en la primera velocidad. Cuando se pulsa este botón de nuevo para apagar el aparato, el nivel de velocidad de la pantalla se apaga.
(B) : 2. Botón de nivel	Hace funcionar el aparato en la segunda velocidad. Cuando se pulsa este botón de nuevo para apagar el aparato, el nivel de velocidad de la pantalla se apaga.
(C) : Botón del nivel 3	Hace funcionar el aparato en la tercera velocidad. Cuando se pulsa este botón de nuevo para apagar el aparato, el nivel de velocidad de la pantalla se apaga.
(D) : Luz Encendida / Apagada	Puede iluminar el área de cocción pulsando este botón. Vuelva a pulsar este botón para apagar la lámpara.

3.2 Funcionamiento eficiente y ahorro de energía

Uso

- * Al utilizar su campana, ajuste la velocidad de acuerdo a la cantidad de vapores y olores existentes, para así ahorrar energía.
- Utilice velocidades bajas (1-2) en condiciones normales, y velocidades altas (3) para el olor y el vapor intensos.
- * Las lámparas en la campana son colocadas para iluminar la superficie donde se cocina.

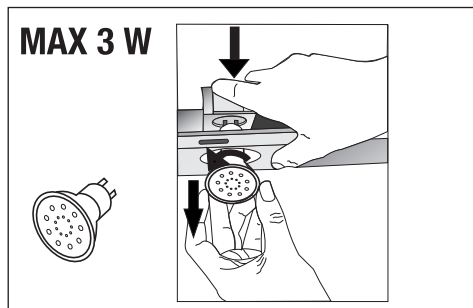
Al usarlas como luces de ambientación se desperdiciará energía innecesariamente y dará una luz insuficiente.

3.3 Instrucciones de funcionamiento

- * Su campana contiene un motor con varias velocidades.
- Para un mejor rendimiento, recomendamos utilizar velocidades bajas en condiciones normales y velocidades altas en casos de olores fuertes y vapor intenso.
- * Puede iniciar su campana pulsando el botón de la velocidad deseada. (A, B, C)
- Puede iluminar el área de cocción presionando la lámpara (D).

3 Funcionamiento del aparato

3.4 Reemplazo de la lámpara

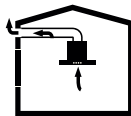


(Imagen 3)

Haga las conexiones eléctricas del aparato. Su aparato utiliza una lámpara LED de 3W. Para cambiar las lámparas, empuje el soporte desde atrás hacia abajo, gírelo en sentido contrario a las agujas del reloj y sáquelo hacia abajo. Haga lo anterior a la inversa para instalar nuevas lámparas (Imagen 3).

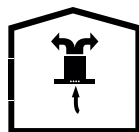
Bombilla	
Potencia de la bombilla (W)	3
Soporte / enchufe	GZ 10
Voltaje de la bombilla (V)	220 - 240
Tamaño (mm)	53 x 50
Código ILCOS	DR/F3-220-240-GZ10-50-53

3.5 Funcionamiento con conexión al conducto



- El vapor se extrae a través del conducto de humo, que está sujeto a la cabeza de conexión en la campana.
- El diámetro del conducto de humos debe ser el mismo que el del anillo de conexión. En los entornos horizontales, el tubo tiene que tener una ligera inclinación hacia arriba (alrededor de 10°) para que el aire pueda salir fácilmente de la habitación.

3.6 Funcionamiento sin conexión al conducto



- El aire se filtra a través del filtro de carbón y circula en la habitación. El filtro de carbón se utiliza cuando es imposible utilizar un conducto para humos en casa.
- Si el funcionamiento es sin conducto, quite las tapas dentro del adaptador del conducto.
- Retire el filtro de aceite. Para instalar el filtro de carbón, colóquelo en las pestañas centrándolo en la pieza de plástico a ambos lados del cuerpo del ventilador. Apriételo girando a la derecha o a la izquierda.
- Reemplace el filtro de aceite de aluminio.

4 Limpieza y mantenimiento



Antes de la limpieza y el mantenimiento, desenchufe el producto o apague el interruptor.



También puede lavar los filtros de aceite de aluminio en la lavadora.

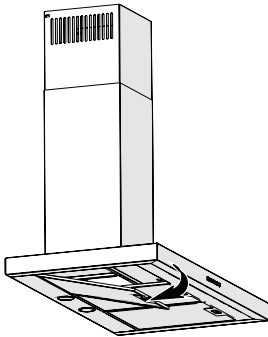
4.1 Limpieza de los filtros de aceite de aluminio

El filtro de aceite de aluminio se utiliza para retener las partículas de aceite en el aire. Los filtros de aluminio pueden cambiar de color después de ser limpiados repetidamente. Esto es normal, y no debe reemplazar sus filtros.



PRECAUCIÓN

En caso de uso normal, limpie su filtro de aceite de aluminio una vez al mes.

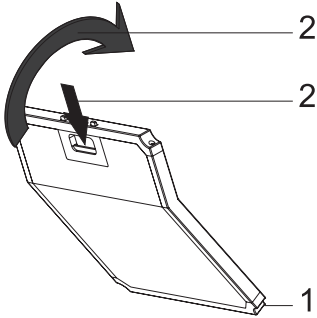


(Imagen 4)

- Empuje el cierre del filtro de aceite de aluminio hacia adelante.
- Luego tire ligeramente hacia abajo y sáquelo (imagen 4). De lo contrario, puede deformar el filtro. Lave y enjuague los filtros de aceite de aluminio con detergente líquido y sustituya los filtros de aceite de aluminio realizando los pasos especificados anteriormente en orden inverso. Estos filtros de aceite de aluminio se utilizan para retener las partículas de aceite en el aire.

4 Limpieza y mantenimiento

4.2 Sustitución de los filtros de carbón



(Imagen 5)

El aparato que usted ha comprado es apropiado para su uso con filtros de carbón.

- Retire los filtros de aceite de aluminio (Imagen 4).
- Coloque la parte inferior del filtro de carbón en el alojamiento del motor (Imagen 5).
- Pulse en la pestaña del filtro de carbón y empújelo hacia adelante, y asegúrese de que las pestañas del filtro de carbón estén enganchadas y bloqueadas. (Imagen 5).
- Coloque los filtros de aceite de aluminio.



PRECAUCIÓN

El filtro de carbón nunca será lavado.



PRECAUCIÓN

Reemplace los filtros de carbón una vez cada 3 meses.



PRECAUCIÓN

Puede obtener el filtro de carbón en los servicios técnicos autorizados.

5 Instalación del aparato



¡ADVERTENCIA!

Antes de comenzar la instalación, lea la información de seguridad en el manual de usuario.



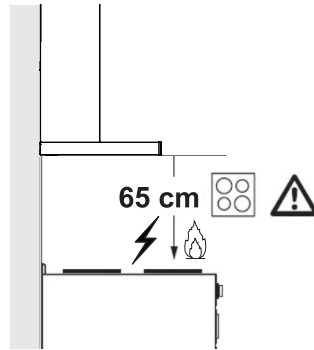
¡ADVERTENCIA!

Si no se instalan los tornillos y estabilizadores de acuerdo con estas instrucciones, puede producirse una descarga eléctrica.

Para la instalación de la campana, por favor contacte con el servicio técnico autorizado más cercano.

Es responsabilidad del cliente proveer la ubicación e instalación eléctrica apropiadas para la campana.

5.1 Posición del aparato

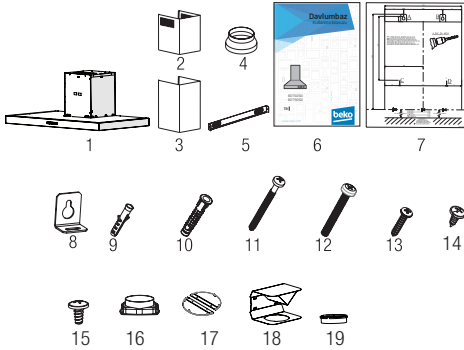


(Imagen 6)

- La distancia entre la cocina y la campana extractora debe ser tenida en cuenta antes del montaje. Esta distancia debe ser de 65 cm (Imagen 6).
- La distancia debe medirse desde la superficie de la rejilla para las cocinas de gas,
- y desde la superficie del vidrio para las cocinas eléctricas.

5 Instalación del aparato

5.2 Accesorios de instalación

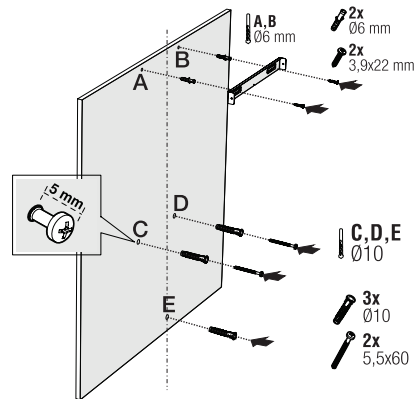


1. Producto
2. Conducto interno
3. Conducto exterior
4. Adaptador de Conducto de Chimenea de Ø150/120mm
5. Placa de conexión del conducto
6. Manual de Usuario
7. Patrón de ensamblaje
8. 6x Placas de suspensión
9. 6x clavijas de plástico de Ø6mm
10. 3x taquetes de plástico de Ø10mm
11. 3x tornillos de montaje para pared de 5.5x60
12. 2x M5x35 Tornillo de conexión de la placa de suspensión
13. 6x 3.9x22 Tornillo de la placa de conexión del conducto
14. 2x 3.5x9.5 tornillos de la placa de conexión de la chimenea
15. 2x 3,5X9,5 tornillos ciegos
16. Adaptador plástico (de cuadrado a redondo)
17. Válvula anti-retorno
18. Deflector de aire
19. Adaptador plástico (desviador de aire)

La información necesaria para elegir un lugar adecuado para la instalación de la campana se da a continuación.

5.3 Montaje en la pared

- La pared debe ser plana, recta y tener una capacidad de carga suficiente.
- La profundidad de los agujeros de perforación deben coincidir con la longitud de los pernos.
- Los tornillos y tacos proporcionados son adecuados para paredes de ladrillo. Para otros materiales de construcción (por ejemplo, paneles de yeso, placas, hormigón poroso), se deben utilizar apropiadas clavijas y tuercas de fijación.



(Imagen 7)

5 Instalación del aparato



PRECAUCIÓN

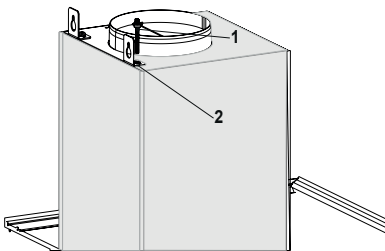
Antes de perforar, asegúrese de que no existan tuberías de alimentación, gas o agua cerca de las locaciones de perforación.

Dibuje una línea perpendicular desde techo hasta al borde inferior de la campana de cocina ().

Fije el esquema de montaje a la pared. Para los puntos A y B, tome como referencia las dimensiones máximas de la campana, taladre en os puntos A y B que ha marcado con una broca de $\varnothing 6\text{mm}$ y, a continuación, inserte los tacos de plástico de $\varnothing 6\text{mm}$. Instale la placa de conexión del conducto en la pared con 2 unidades de tornillos de $3,9 \times 22$ (Imagen 8).

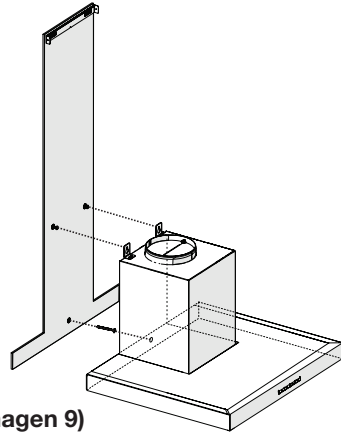
Para instalar el cuerpo de la campana, taladre los puntos C,D,E especificados en la plantilla de instalación con una broca de $\varnothing 10\text{mm}$ e inserte los tacos de plástico de $\varnothing 10\text{mm}$ en estos puntos (Imagen 8).

Instale 2 tornillos de montaje de $5,5 \times 60$ en los puntos C y D con un espacio de 5 mm entre la cabeza del tornillo y la pared (Imagen 8).



(Imagen 8)

Instale dos placas de suspensión en el cuerpo de la campana con tornillos de montaje $M5 \times 35$ (Imagen 8).



(Imagen 9)

Sostenga la campana extractora por su cuerpo y colóquela sobre los tornillos de montaje en la pared y apriete los tornillos (Imagen 9).

Fije la campana extractora con un tornillo de $5,5 \times 60$ a la pared a través del orificio de montaje en el interior del aparato (Imagen 9).

5.4 Conexión al conducto

Si va a utilizar el adaptador de plástico para conductos de humos de 120/150 mm de diámetro, conecte un extremo del tubo a este adaptador, si no lo va a utilizar, a la salida directa del producto. Conecte el otro extremo del tubo al conducto de humos. Compruebe que estas dos conexiones están lo suficientemente firmes para que no se aflojen cuando el aparato funcione a plena potencia. Compruebe si las tapas del interior del conducto funcionan cuando se aprietan

con las abrazaderas. Conecte la conexión del conducto fuera del adaptador (Imagen 11/a). Si el conducto de conexión está colocado en el interior del adaptador, no se producirá la succión de aire ya que la tapa de salida de humos que impide el retorno del aire permanecerá cerrada (Imagen 11 / b). La longitud de la conexión de la tubería, así como el número de codos deben ser de lo mínimo posible.

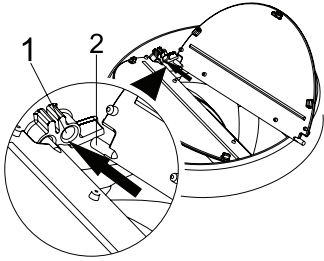
A : Tubo de salida de humos

5 Instalación del aparato

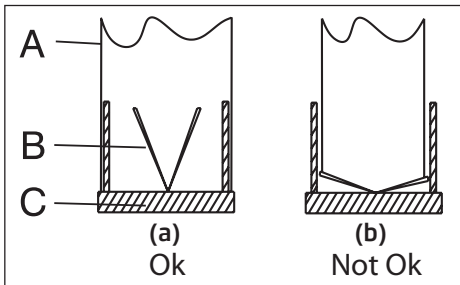
B : Tapas de no retorno

C: Adaptador de escape de plástico

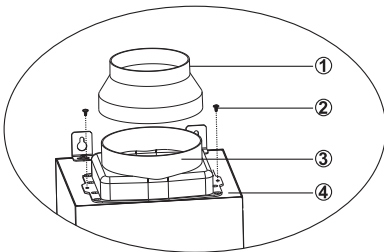
Las válvulas están cerradas y el aparato no funciona, lo que evita que el posible olor exterior y el polvo entren en el interior.



(Imagen 10)



(Imagen 11)

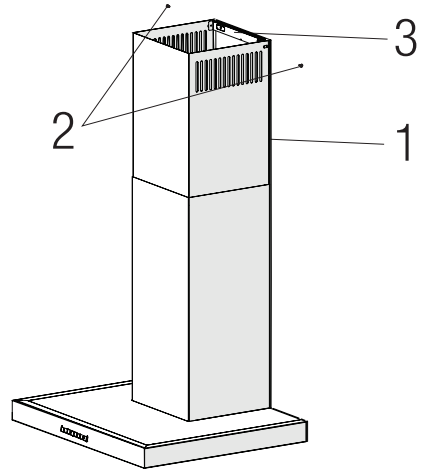


(Imagen 12)

5.5 Instalación de la campana en el conducto

Lleve a cabo la conexión eléctrica de su campana antes de empezar con la instalación del conducto de humos. Deslice las placas del conducto alrededor del cuerpo.

Instale la placa del conducto en la placa de sujeción del conducto que está fijada a la pared por sus bordes exteriores superiores (Imagen 13).



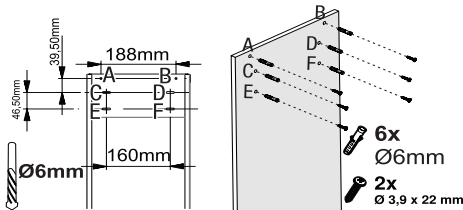
(Imagen 13)

1. Conducto interno
2. 2 tornillos de 2x 3.5x9.5
3. Placa de conexión del conducto

5 Instalación del aparato

5.6 Instalación del deflector de aire

Si se adquiere la versión con filtro de carbón, el deflector de aire se suministrará con el aparato con el objetivo de volver a liberar el aire que se limpia con el filtro de carbón. Este aire proviene de los orificios situados en el conducto de humo. Monte el deflector de aire como se indica a continuación.



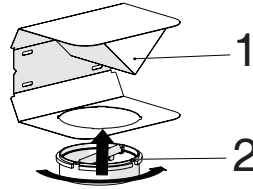
(Imagen 14)

En el medio de la placa de conexión del conducto hay una pestaña. El punto medio de la pestaña se coloca en la línea perpendicular dibujada en la pared. Alinee horizontalmente y marque los agujeros donde se montará la placa de conexión con un bolígrafo (Imagen 14 / A, B).

Taladre los puntos marcados con un taladro de Ø6mm e inserte dos tacos de plástico de Ø6mm en los agujeros taladrados (Imagen 14 / A, B).

Fije la placa de conexión del conducto a la pared con tornillos de 3,9x22 (Imagen 14 / A, B).

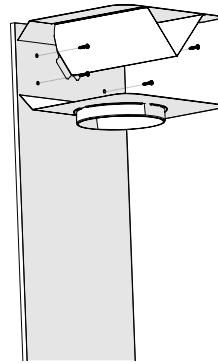
Para el montaje del deflector de aire, perforo el punto C, D, E, F con un taladro de Ø6mm e inserte tacos de plástico de Ø6mm (Imagen 14).



(Imagen 15)

- 1- Deflector de aire
2. Conducto de plástico

Coloque el adaptador de plástico para conductos de humos, que se incluye en el paquete, en la misma dirección del deflector de aire. Fije el adaptador del conducto girándolo en la dirección de la flecha (Imagen 15).

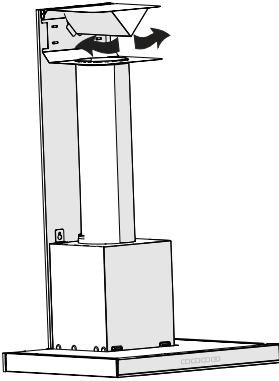


(Imagen 16)

Monte el deflector de aire con tornillos de 3,9 x 22 en los puntos C, D, E, F que ya ha preparado anteriormente (Imagen 14).

Monte el cuerpo de la campana (Página 12 / Imagen 7).

5 Instalación del aparato



(Imagen 17)

1- Tubo de salida de aire de aluminio
Monte el tubo de salida de aire (Imagen 17).



Ya que los giros y curvas del tubo de aluminio conducirán a una reducción de la potencia de aspiración de aire, evite usarlos tanto como sea posible.

Instale las placas de conducto de la campana
(Página 13 / Imagen 13)

6 Solución de problemas

Solución de problemas	Causa principal	Ayuda
El aparato no funciona.	Revise los fusibles.	El fusible puede estar fundido, revíselo y cámbielo, si es necesario.
El aparato no funciona.	Revise la conexión eléctrica.	El voltaje de la red debe ser entre 220 y 240 V.
El aparato no funciona.	Revise la conexión eléctrica.	Compruebe si funcionan otros aparatos en su cocina.
La lámpara de iluminación no funciona.	Revise la conexión eléctrica.	El voltaje de la red debe ser entre 220 y 240 V.
La lámpara de iluminación no funciona.	Revise el interruptor de la lámpara.	El interruptor de la lámpara debe estar en posición "on" (encendido).
La lámpara de iluminación no funciona.	Revise las lámparas.	Las lámparas del aparato se iluminarán.
La entrada de aire del aparato no es adecuada.	Revise el filtro de aluminio.	En condiciones normales de funcionamiento, el filtro de aceite de aluminio se limpiará al menos una vez al mes.
La entrada de aire del aparato no es adecuada.	Revise el conducto de descarga de aire.	El conducto de descarga de aire debe estar en posición "on".
La entrada de aire del aparato no es adecuada.	Revise el filtro de carbón.	Los filtros de carbón serán reemplazados una vez cada 3 meses en condiciones normales.



Contacto para asistencia técnica: 902 877 665 / 932 992 581

CONDICIONES DE GARANTIA - ESPAÑA

El presente certificado cubre la garantía de reparación de su electrodoméstico durante dos años, a partir de la fecha de venta, contra todo defecto de funcionamiento proveniente de fabricación o materiales; o de sustitución del aparato, salvo que una de estas opciones resulte imposible o desproporcionada respecto de la otra. Cuando usted detecte un defecto o anomalía en el aparato contacte de forma inmediata con nosotros, un plazo de dos meses es el límite para informarnos de la falta de conformidad. El cargo de desplazamiento está incluido en la reparación, excepto para pequeños electrodomésticos que pueden ser transportados al taller del servicio oficial de la marca. En caso de sustitución, el plazo de garantía se suspende y el nuevo aparato mantendrá el periodo de vigencia del aparato sustituido, y como mínimo 6 meses de garantía.

La presente garantía sólo será válida si se presenta factura, ticket de compra o el albarán de entrega del producto correspondiente si éste fuera posterior a la fecha de factura. La presente garantía es válida en el territorio español y portugués para los aparatos distribuidos por Beko Electronics España S.L.. La garantía sólo tendrá validez sobre el primer comprador o adquirente del producto. La garantía será válida para aparatos adecuados a las condiciones climáticas y medioambientales en que estén ubicados.

EXCLUSIONES DE LA GARANTIA

El coste de la reparación será a cargo del usuario en los siguientes casos:

- Los aparatos utilizados para uso profesional o no exclusivamente doméstico, en establecimientos públicos, industriales o comerciales.
- Los aparatos desmontados o manipulados por personas ajenas a los servicios técnicos expresamente autorizados.
- Las instalaciones, transporte, sustitución de aparatos, puestas en marcha, cambio de sentido de puertas.
- Intervenciones de mantenimiento o de información sobre el uso de los aparatos.
- Cambio de inyectores en aparatos de gas.
- Las averías provocadas por falta de mantenimiento o limpieza o aquellas provocadas por un uso indebido, sobrecarga, abandono o de manera no conforme a las instrucciones de uso o de instalación de los aparatos.
- Las averías producidas por causas fortuitas, siniestros de fuerza mayor o derivados de instalación incorrecta y en general, averías por causas ajenas al propio aparato.
- Las averías provocadas por conexiones que puedan presentar fluctuaciones, irregularidades o falta de uniformidad en el suministro, por ejemplo: suministro de agua impulsado por grupos de presión, energía solar, energía eólica, generadores eléctricos, u otro tipo de suministro no normalizado.
- La sustitución de materiales rotos o deteriorados por desgaste o uso no normal del aparato, o materiales consumibles tales como: juntas, plásticos, gomas, correas, cristales, escobillas, bombillas, asas, tiradores, tapas de quemadores, filtros, rejillas, ánodos de sacrificio (magnesio o similares) de calentadores o calderas, etc.
- Los aparatos que presenten oxidación, o daños por corrosión en esmaltes o pinturas, que puedan ser provocados por efectos químicos o electroquímicos del agua o cualquier otra sustancia, o aceleradas por circunstancias ambientales o climáticas no propicias.
- Defectos estéticos en serigrafía o pintura.
- Los daños de transporte o manipulación, golpes, etc.
- Los aparatos deben instalarse de forma accesible para su reparación, debiendo asumir el usuario los costes necesarios para el acceso al aparato para su reparación y sustitución.

La presente garantía no afecta a los derechos de que dispone el consumidor conforme a lo previsto en el Real Decreto 1/2007, de 16 de noviembre, por el que se aprueba el texto refundido de la Ley General para la Defensa de los Consumidores y Usuarios y otras leyes complementarias, y la Ley 3/2014 que la modifica.

El Servicio Oficial de Asistencia Técnica resolverá cualquier incidencia que pudiera precisar su electrodoméstico siempre que el aparato esté instalado de forma accesible.

Para asegurarse que su electrodoméstico va a ser intervenido por un técnico oficial autorizado, rogamos solicite el carnet avalado por ANFEL (Asociación Nacional de Fabricantes de Electrodomésticos) a nuestros técnicos.

Las marcas BEKO, ALTUS, BLOMBERG, y GRUNDIG se distribuyen por Beko Electronics España S.L.

DATOS APARATO (a rellenar por el Distribuidor):

Titular:		Sello Establecimiento:
Modelo:	Núm. serie:	
Establecimiento:	Fecha de compra:	

El garante e importador de su electrodoméstico es: BEKO ELECTRONICS ESPAÑA S.L. Calle Provenza n° 388 3º Barcelona 08025, España. El producto ha sido fabricado por ARÇELIK A.S (Arçelik A.S.Sütluce Karaagaç Cad. No:2-6 34445 Beyoglu, Istanbul, Turkey) o Arctic S.A. (210, 13 Decembrie St., 135200, Gaesti, Dambovita, Romania

Conózanos mejor en nuestra página: www.beko.com Conserve este documento, es importante para usted.

პირველ რიგში, წაიკითხეთ ეს სახელმძღვანელო!

ძვირფასო მომხმარებელო,

მადლობას გიხდით BEKO-ს პროდუქტის არჩევისთვის. გვსურს უზრუნველყოთ ოპტიმალური ეფექტურობა ამ მაღალი ხარისხის პროდუქტის გამოყენებისას, რომელიც წარმოებულია თანამედროვე ტექნოლოგიის გამოყენებით. მოწყობილობის გამოყენებამდე აუცილებლად წაიკითხეთ და გაიაზრეთ ამ სახელმძღვანელოს და დამატებითი დოკუმენტაციის შინაარსი და გამოიყენეთ ისინი ცნობისთვის. მოწყობილობის სხვა პირისთვის გადაცემისას ასევე გადაეცით ეს სახელმძღვანელო. გაეცანით სახელმძღვანელოში წარმოდგენილ ყველა გაფრთხილებას და ინფორმაციას და დაიცავით მითითებები.

გაითვალისწინეთ, რომ მოცემული მომხმარებლის სახელმძღვანელო შეიძლება ვრცელდებოდეს პროდუქტის რამდენიმე მოდელზე. სახელმძღვანელოში მკაფიოდ მითითებულია სხვადასხვა მოდელების ვარიანტები.

სიმბოლოები და მათი მნიშვნელობები

მოცემულ სახელმძღვანელოში გამოყენებულია შემდეგი სიმბოლოები:

-  მნიშვნელოვანი ინფორმაცია და რეკომენდაციები მოწყობილობის გამოყენებასთან დაკავშირებით.
-  გაფრთხილება: გაფრთხილება ფიზიკური დაზიანების ან ქონების დაზიანების რისკის შესახებ.
-  გაფრთხილება ელექტრული შოკის რისკის შესახებ.
-  გაფრთხილება ხანძრის გაჩენის რისკის შესახებ.



მოცემული პროდუქტი წარმოებულია თანამედროვე ქარხანაში, რომელშიც დაცულია გარემოს დაცვის ნორმები და რომელიც არ ავნებს გარემოს.

შეესაბამება WEEE რეგულაციებს.



არ შეიცავს პოლიქლორირებულ ბიფენილებს.

1.1 ზოგადი უსაფრთხოება

მნიშვნელოვანი ინსტრუქცია უსაფრთხოებასთან დაკავშირებით – ყურადღებით წაიკითხეთ და შეინახეთ ის მომავალში ცნობისთვის გამოსაყენებლად.

ეს ნაწილი მოიცავს უსაფრთხოების ინსტრუქციებს, რომლებიც დაგიცავთ ხანძრის გაჩენის, ელექტრული შოკის, ფიზიკური დაზიანებისა და ქონების დაზიანების რისკისგან. მოცემული ინსტრუქციების დაუცველობის შემთხვევაში გარანტია უქმდება.

- Beko-ს პროდუქცია შეესაბამება უსაფრთხოების მოქმედ სტანდარტებს. შესაბამისად, მოწყობილობის ან მისი ელექტროკვების კაბელის დაზიანების შემთხვევაში, მისი შეკეთება ან შეცვლა უნდა განხორციელდეს დილერის, სერვისცენტრის, სპეციალისტის ან

ავტორიზებული სამსახურის მიერ. შეკეთების არასწორმა ან არასაკმარისმა ოპერაციებმა შეიძლება გამოიწვიოს რისკი და საფრთხე შეუქმნას მომხმარებელს.

- ეს პროდუქტი არ არის განკუთვნილი კომერციული გამოყენებისთვის, იგი განკუთვნილია სახლში და შემდეგ პირობებში გამოსაყენებლად:
 - მაღაზიების, ოფისებისა და სხვა სამუშაო სივრცეების პერსონალისთვის განკუთვნილ სამზარეულოში;
 - სოფლის სახლში;
 - სასტუმროებში, მოტელებში ან სხვა საცხოვრებელ ობიექტებზე;
 - ჰოსტელებში ან მსგავს გარემოში.
- გამოიყენეთ მოწყობილობა მხოლოდ ამ სახელმძღვანელოში აღწერილი დანიშნულებისამებრ.
- მწარმოებელი არ აგებს

პასუხს დაზიანებაზე, რომელიც გამოწვეულია მოწყობილობის არასწორი მონტაჟით ან გამოყენებით.

- ამ მოწყობილობის გამოყენება შეუძლიათ 8 წლის და უფროსი ასაკის ბავშვებს, შეზღუდული ფიზიკური, სენსორული ან მეტალური უნარის მქონე ადამიანებს ან არასაკმარისი გამოცდილების თუ ცოდნის მქონე პირებს მხოლოდ იმ პირობით, რომ მათ მიერ მოწყობილობის გამოყენება მოხდება ზედამხედველობის ქვეშ ან მათ გააცნობენ მოწყობილობის უსაფრთხო გამოყენების ინსტრუქციებს, რომლებსაც ისინი გაიაზრებენ.
- ბავშვებმა არ უნდა დაარღვიონ მოწყობილობის უსაფრთხოების სისტემა. დაუშვებელია მოწყობილობის გასუფთავებისა და ტექნიკური მომსახურების

ოპერაციების შესრულება ბავშვების მიერ ზრდასრულების მეთვალყურეობის გარეშე.

- მოწყობილობა უნდა დამონტაჟდეს ისე, რომ მინიმალური მანძილი მოწყობილობის ძირსა და იმ ზედაპირს შორის, რომელზეც თავსდება სამზარეულოს ხელსაწყოები, შეადგენდეს 65 სმ-ს.
- თუ გაზქურის მონტაჟის ინსტრუქცია ითვალისწინებს ზემოთ მითითებულზე უფრო დიდ მანძილს, აუცილებელია მისი დაცვა.
- დარწმუნდით, რომ თქვენი ელექტროქსელი შეესაბამება მოწყობილობის ტექნიკურ პასპორტში მითითებულ ინფორმაციას.
- ნუ გამოიყენებთ მოწყობილობას, თუ მისი ელექტროკვების კაბელი დაზიანებულია.
- ელექტროკვების კაბელის დაზიანების თავიდან ასაცილებლად ნუ წაუჭერთ, ნუ მოუჭერთ

მას და არ ახახუნოთ
ის წვეტიან საგნებზე.
ნუ განათავსებთ
ელექტროკვების კაბელს
ცხელ ზედაპირებთან და
ღია ალთან ახლოს.

- ჩართეთ მოწყობილობა მხოლოდ დამიწებულ ელექტროროზეტში.
გაფრთხილება: ნუ ჩართავთ მოწყობილობას ელექტროქსელში მონტაჟის დასრულებამდე.

- განათავსეთ მოწყობილობა ისე, რომ ელექტროკვების კაბელის შემაერთებელი ადვილად ხელმისაწვდომი იყოს.

- ნუ შეეხებით ხელით პროდუქტის სანათებს, როდესაც ისინი ჩართულია ხანგრძლივი დროის განმავლობაში. შეიძლება მიიღოთ დამწვრობა, რადგან სანათები ცხელი იქნება.

- დაიცავით უფლებამოსილი ორგანოების მიერ მითითებული წესები და ინსტრუქციები გამომავალი ჰაერის გარეთ გაშვების თაობაზე.

(ეს გაფრთხილება არ ვრცელდება კვამლსარიინის გარეშე გამოყენებაზე.)

- ჩართეთ პროდუქტი ქურაზე ჭურჭლის მოთავსების შემდეგ. წინააღმდეგ შემთხვევაში, მაღალმა ტემპერატურამ შეიძლება გამოიწვიოს საგნების დეტალების დეფორმაცია.
- გამორთეთ ქურის კომფორი, სანამ იქიდან ჭურჭელს გადმოდგამთ.
- ნუ დატოვებთ მდულარე ზეთს ქურაზე. მდულარე ზეთის შემცველ ჭურჭელს შეიძლება გაუჩნდეს ცეცხლი.
- რადგან ზეთს შეიძლება გაუჩნდეს ცეცხლი პროდუქტის შეწვისას, გამოიჩინეთ სიფრთხილე ფარდების და მაგიდის გადასაფარებლების მიმართ.
- გარეცხეთ ზეთის ფილტრები თვეში ერთხელ. შეცვალეთ ნახშირის ფილტრები 3 თვეში ერთხელ.
- პროდუქტის დროულად პერიოდულად

გაუსუფთავებლობამ შეიძლება წარმოქმნას ხანძრის გაჩენის რისკი.

- ნუ გამოიყენებთ ფილტრის ნაცვლად არაცეცხლმედეგ საფილტრე მასალებს.
- გამოიყენეთ მხოლოდ ორიგინალური ან მწარმოებლის მიერ მოწოდებული ნაწილები.
- ნუ გამოიყენებთ პროდუქტს ფილტრის გარეშე და ნუ მოხსნით ფილტრებს პროდუქტის გამოყენების დროს.
- ცეცხლის გაჩენის შემთხვევაში, გამორთეთ მოწყობილობა და სამზარეულოს სხვა ხელსაწყოები ელექტროქსელიდან. (გათიშეთ ელექტროკვების კაბელი როზეტიდან ან გამორთეთ მთავარი გადამრთველის მეშვეობით).
- ცეცხლის გაჩენის შემთხვევაში, დააფარეთ რამე ალს. არასოდეს გამოიყენოთ ალის ჩასაქრობად წყალი.
- გასუფთავებამდე ყოველთვის გათიშეთ

მოწყობილობა

ელექტროქსელიდან და არ გაწმინდოთ მოწყობილობა მისი გამოყენების დროს.

- ელექტროგამწოვის და ელექტრობისგან განსხვავებული ენერჯით მომუშავე სხვა მოწყობილობების ერთდროული გამოყენებისას უარყოფითი წნევა სივრცეში არ უნდა აღემატებოდეს 4 კა-ს (4 X 10 ბარს).
- პროდუქტთან ერთ სივრცეში გაზზე ან თხევად საწვავზე მომუშავე მოწყობილობები, როგორცაა ოთახის გამათბობელი, სრულად უნდა იყოს იზოლირებული პროდუქტის გამოსაშვები მილისგან ან უნდა იყოს ჰერმეტიული.
- პროდუქტისთვის კვამლსარიინის შეერთების მოწყობისას გამოიყენეთ 150 მმ ან 120 მმ დიამეტრის მქონე მილები. მილის

შეერთების სიგრძე და მუხლების რაოდენობა რაც შეიძლება ნაკლები უნდა იყოს.

გაგუდვის რისკი! შეინახეთ შესაფუთი მასალა ბავშვებისთვის მიუწვდომელ ადგილას.

გაფრთხილება: ქურასთან და სამზარეულოს სხვა ხელსაწყოებთან ერთად გამოყენების შემთხვევაში პროდუქტის ხელმისაწვდომი ნაწილები შეიძლება ცხელი იყოს.

- დაუშვებელია გამწოვის გამოსაშვები მილის შეერთება ისეთ სავენტილაციო მილებთან, რომლებთანაც შეერთებულია კვამლის სხვა წყაროები.
- ელექტროგამწოვის გაზზე ან სხვა საწვავზე მომუშავე მოწყობილობებთან ერთდროულად გამოყენებისას სივრცე საკმარისად უნდა ნიავებოდეს. ეს გაფრთხილება არ ვრცელდება კვამლსარინის გარეშე გამოყენებაზე

(გამოყენებაზე ნახშირის ფილტრით).

- მოწყობილობაზე განთავსებული საგნები შეიძლება ჩამოვარდეს. ნუ მოათავსებთ საგნებს მოწყობილობაზე.
- მკაცრად აკრძალულია პროდუქტის გახეთქვა მოწყობილობის ქვეშ. გაფრთხილება: გამწოვის დამონტაჟებამდე მოაცილეთ დამცავი აპკი.
- ნუ დატოვებთ ღია ალს მოწყობილობის ქვეშ მისი გამოყენების დროს.
- დიდი რაოდენობით ზეთში შეწვა უნდა ხდებოდეს მეთვალყურეობის ქვეშ. მაღალ ტემპერატურამდე გაცხელებულ ზეთს შეიძლება გაუჩნდეს ცეცხლი.

1.2 შესაბამისობა WEEE რეგულაციებთან და ნარჩენების უტილიზაცია



მოცემული პროდუქტი არ შეიცავს საშიშ და აკრძალულ

ნივთიერებებს, რომლებიც მითითებულია თურქეთის

გარემოს დაცვის და ურბანული დაგეგმარების სამინისტროს მიერ გამოცემულ „ელექტრო- და ელექტრონული მოწყობილობების ნარჩენების კონტროლის რეგულაციებში“.

შეესაბამება WEEE რეგულაციებს. მოცემული პროდუქტი დამზადებულია გადამუშავებადი და განმეორებით გამოყენებადი მაღალი ხარისხის დეტალებისა და მასალებისგან. შესაბამისად, პროდუქტის ექსპლუატაციის ვადის გასვლის შემდეგ ნუ მოახდენთ მის უტილიზაციას სხვა საყოფაცხოვრებო ნარჩენებთან ერთად. ჩააბარეთ ელექტრო- და ელექტრონული მოწყობილობის ჩაბარების პუნქტში. ასეთი პუნქტების შესახებ ინფორმაციისთვის მიმართეთ ადგილობრივ ადმინისტრაციულ ორგანოებს. შეგიძლიათ

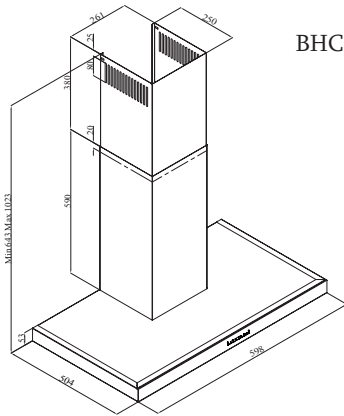
დაგვეხმაროთ გარემოსა და ბუნებრივი რესურსების დაცვაში გამოყენებული პროდუქტების გადასამუშავებლად ჩაბარებით.

1.3 პროდუქტის შეფუთვა



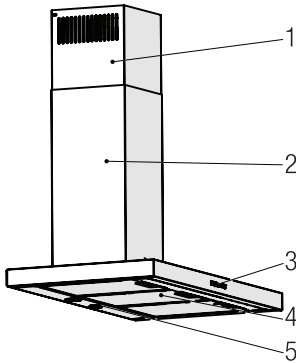
მოწყობილობისთვის გამოყენებული შეფუთვა დამზადებულია გადამუშავებადი მასალებისგან. მოახდინეთ შეფუთვის უტილიზაცია ცალკე, ადგილობრივი ორგანოების რეგულაციების შესაბამისად, რათა გარემოს დაცვის მიზნით უზრუნველყოფილი იქნეს მოწყობილობის შეფუთვის გადამუშავება.

2.1 მიმოხილვა



BHC61632 XH

(ნახატი 1).



1. შიდა კვამლსარიანი
2. გარე კვამლსარიანი
3. მართვის პანელი
4. ალუმინის ზეთის ფილტრები
5. ქურის გამანათებელი

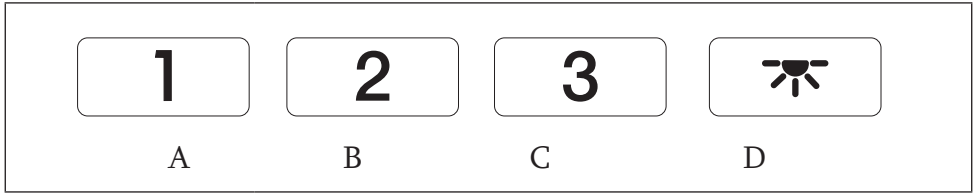
(ნახატი 2)

2.2 ტექნიკური მონაცემები

მოდელი	BHC61632 XH
ელექტროქსელის ძაბვა	220-240V ~ 50 Hz
სანათის სიმძლავრე (ვტ)	2 x 3 W
ძრავის სიმძლავრე (ვტ)	210 W
წაკადის სიჩქარე (მ ³ /სთ) = 3. დონე	612 m ³ /h
ძრავის იზოლაციის კლასი	კლასი F
იზოლაციის კლასი	კლასი I

3 მოწყობილობის გამოყენება

3.1 მოწყობილობის მართვა



ლილაკი	ფუნქცია
(A) : 1. ფაზის ლილაკი	მოწყობილობის გაშვება 1-ლი სიჩქარით. მოწყობილობის გამოსართავად ამ ლილაკის განმეორებით დაჭერისას სიჩქარის ფაზა გამოირთვება.
(B) : 2. ფაზის ლილაკი	მოწყობილობის გაშვება მე-2 სიჩქარით. მოწყობილობის გამოსართავად ამ ლილაკის განმეორებით დაჭერისას სიჩქარის ფაზა გამოირთვება.
(C) : მე-3 ფაზის ლილაკი	მოწყობილობის გაშვება მე-3 სიჩქარით. მოწყობილობის გამოსართავად ამ ლილაკის განმეორებით დაჭერისას სიჩქარის ფაზა გამოირთვება.
(D) : განათების ჩართვა / გამორთვა	ამ ლილაკის დაჭერით შეგიძლიათ ჩართოთ განათება, რომელიც გაანათებს ქურას. სანათის გამოსართავად ხელახლა დააჭირეთ ლილაკს.

3.2 ენერგოეფექტური გამოყენება ენერჯის დაზოგვის თვალსაზრისით გამოყენება

- ენერჯის დასაზოგად მოწყობილობის გამოყენებისას დაარეგულირეთ სიჩქარის პარამეტრები ორთქლის და სუნის ინტენსივობის შესაბამისად.
- ჩვეულებრივ პირობებში გამოიყენეთ დაბალი სიჩქარეები (1-2), ხოლო ინტენსიური სუნისა და ორთქლის შემთხვევაში გამოიყენეთ მაღალი სიჩქარე (3).
- * სანათები გამწოვზე განლაგებულია ქურის გასანათებლად.

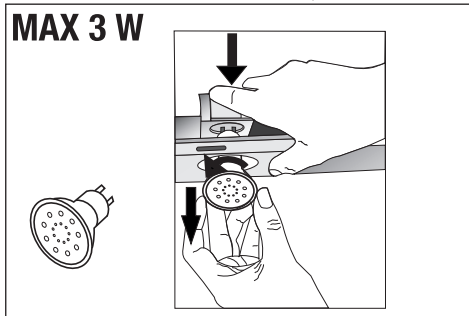
ამ სანათების საერთო განათების მიზნით გამოყენება გამოიწვევს ენერჯის ზედმეტ ხარჯს და სივრცის არასაკმარის განათებას.

3.3 გამოყენების ინსტრუქცია

- მოწყობილობა შეიცავს ძრავას, რომელიც სხვადასხვა სიჩქარეებზე მუშაობს.
- ეფექტურობის გასაუმჯობესებლად გირჩევთ გამოიყენოთ დაბალი სიჩქარე ჩვეულებრივ პირობებში და მაღალი სიჩქარე ძლიერი სუნისა და ინტენსიური ორთქლის შემთხვევაში.
- ჩართეთ მოწყობილობა სიჩქარის სასურველი პარამეტრის ლილაკზე დაჭერით. (A, B, C)
- სანათზე (D) დაჭერით შეგიძლიათ გაანათოთ ქურის სივრცე.


3 მოწყობილობის გამოყენება

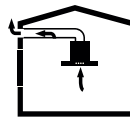
3.4 სანათის შეცვლა



(ნახატი 3)

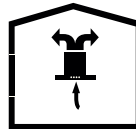
გამართეთ მოწყობილობის ელექტრო შეერთებები. მოწყობილობაში გამოიყენება 3 ვტ წერტილოვანი LED სანათი. სანათების შესაცვლელად დააწეით ბუდე უკანა მხრიდან, დაატრიალეთ საათის ისრის საწინააღმდეგო მიმართულებით და მოხსენით სანათი. ახალი სანათების დასაყენებლად გაიმეორეთ იგივე პროცედურა საწინააღმდეგო თანმიმდევრობით (ნახატი 3).

ნათურა	
ნათურის სიმძლავრე (ვტ)	3
ბუდე / როზეტი	GZ 10
ნათურის ძაბვა (ვ)	220 - 240
ზომა (მმ)	53 x 50
ILCOS კოდი	DR/F3-220-240-GZ10-50-53



3.5 გამოყენება კვამლსარიის მიერთებით

- ორთქლის გარეთ გაშვება ხდება კვამლსარიის მილის მეშვეობით, რომელიც მიერთებულია გამწოვის თავზე არსებულ შეერთებასთან.
- კვამლსარიის მილის დიამეტრი უნდა იყოს შემაერთებელი რგოლის დიამეტრის ტოლი. ჰორიზონტალური მონტაჟის დროს მილს უნდა ჰქონდეს მცირე აღმავალი დახრილობა (დაახლოებით 10°), რათა ადვილად მოხდეს ნამუშევარი ჰაერის მოცილება სივრციდან.



3.6 გამოყენება კვამლსარიის მიერთების გარეშე

- ნახშირის ფილტრი ფილტრავს ჰაერს და ხდება ჰაერის რეცირკულირება სივრცეში. ნახშირის ფილტრი გამოიყენება მაშინ, როდესაც კვამლსარიის გამოყენება სახლში შეუძლებელია.
- კვამლსარიის გარეშე გამოყენებისას მოხსენით საფრები კვამლსარიის ადაპტერის შიგნით.
- მოხსენით ზეთის ფილტრი. ნ ა ხ შ ი რ ი ს ფ ი ლ ტ რ ი ს დასამონტაჟებლად მოათავსეთ ფილტრი ჩანართებში პლასტმასის დეტალზე მისი ცენტრირებით ვენტილატორის კორპუსის ორივე მხარეს. დაამაგრეთ მარჯვნივ ან მარცხნივ მისი დატრიალებით.
- შეცვალეთ ალუმინის ზეთის ფილტრი.

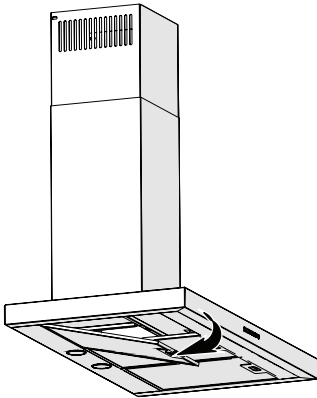


პროდუქტის გასუფთავებამდე და მასზე ტექნიკური მომსახურების სამუშაოების შესრულებამდე გათიშეთ იგი ელექტროქსელიდან ან გამორთეთ მთავარი გადამრთველის გამოყენებით.

და ამოიღეთ (ნახატი 4). ალტერნატიულად, შეგიძლიათ მოღუნოთ ფილტრი. გარეცხეთ და გამორეცხეთ ალუმინის ზეთის ფილტრები თხევადი სარეცხი საშუალებით და ისევ ჩასვით ალუმინის ზეთის ფილტრები თავის ბუდეებში ზემოაღნიშნული ნაბიჯების საწინააღმდეგო თანმიმდევრობით შესრულებით. მოცემული ალუმინის ზეთის ფილტრები გამოიყენება ჰაერში არსებული ზეთის ნაწილაკების შესაკავებლად.

4.1 ალუმინის ზეთის ფილტრების გასუფთავება

ალუმინის ზეთის ფილტრი გამოიყენება ჰაერში არსებული ზეთის ნაწილაკების შესაკავებლად. განმეორებითი გასუფთავების შემდეგ ალუმინის ფილტრის ფერი შეიძლება შეიცვალოს. ეს ნორმალურია და არ საჭიროებს ფილტრის შეცვლას.



(ნახატი 4)

- წანაცვლეთ წინ ალუმინის ზეთის ფილტრის ფიქსატორი.
- შემდეგ ოდნავ დააწეკით

4 გასუფთავება და ტექნიკური მომსახურება



ასევე შეგიძლიათ გარეცხოთ ალუმინის ზეთის ფილტრები სარეცხ მანქანაში.

ჩანართები გააქტიურებული და დაფიქსირებულია. (ნახატი 5).

- დააყენეთ ალუმინის ზეთის ფილტრები.



გაფრთხილება ჩვეულებრივპირობებში გამოყენებისას გასუფთავებალუმინის ზეთის ფილტრი თვეში ერთხელ.

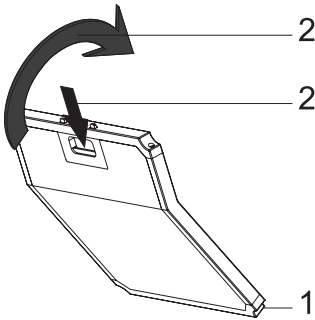


გაფრთხილება ნახშირის ფილტრი არასოდეს არ უნდა გარეცხოთ.



გაფრთხილება შეცვალეთ ნახშირის ფილტრები 3 თვეში ერთხელ.

4.2 ნახშირის ფილტრების შეცვლა



გაფრთხილება ნახშირის ფილტრი შეგიძლიათ შეიძინოთ ავტორიზებულ სერვისცენტრებში.

(ნახ. 5)

თქვენ მიერ შეძენილი მოწყობილობა გამოსადეგია ნახშირის ფილტრებთან ერთად გამოსაყენებლად.

- მოხსენით ალუმინის ზეთის ფილტრები (ნახატი 4).
- მოათავსეთ ნახშირის ფილტრის ქვედა ნაწილი ძრავის კამერაში (ნახატი 5).
- დააჭირეთ ნახშირის ფილტრის ჩანართზე, წინ წაანაცვლეთ და დარწმუნდით, რომ ნახშირის ფილტრის



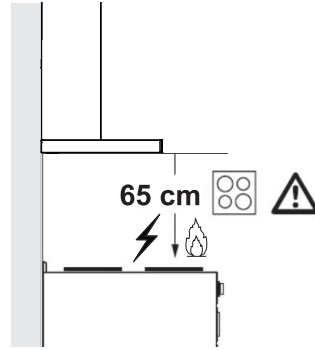
გაფრთხილება!
მონტაჟის დაწყებამდე წაიკითხეთ ინფორმაცია უსაფრთხოების შესახებ მომხმარებლის სახელმძღვანელოში.



გაფრთხილება!
ამ ინსტრუქციების შესაბამისად ხრახნების დასტაბილიზატორების გამოყენების მონტაჟის შეუსრულებლობამ შეიძლება გამოიწვიოს ელექტრული შოკი.

გამწოვის დამონტაჟებისთვის მიმართეთ უახლოეს ავტორიზებულ სერვისცენტრს. გამწოვისთვის ადგილის და ელექტრული შეერთებების მომზადება მომხმარებლის კასუხისმგებლობაა.

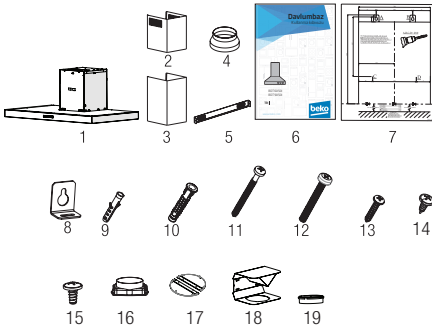
5.1 მოწყობილობის განლაგება



(ნახატი 6)

- დამონტაჟებამდე აუცილებელია გაითვალისწინოთ საჭირო მანძილი ქურასა და გამწოვის შორის. მანძილი უნდა იყოს 65 სმ (ნახატი 6).
- მანძილი უნდა გაიზომოს გაზქურის ცხაურის ზედაპირიდან და
- ელექტროქურის მინის ზედაპირიდან.

5.2 სამონტაჟო აქსესუარები



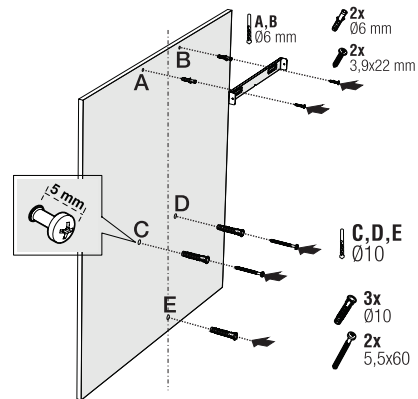
1. პროდუქტი
2. შიდა კვამლსარინი
3. გარე კვამლსარინი
4. Ø150/120 მმ კვამლსარინის ადაპტერი
5. კვამლსარინის შემაერთებელი პანელი
6. მომხმარებლის სახელმძღვანელო
7. ანაწყობის ტიპი
8. 6x შესაკიდი პანელი
9. 6x Ø6 მმ პლასტმასის დიუბელი
10. 3x Ø10 მმ პლასტმასის დიუბელი
11. 3x 5.5x60 კედლის სამაგრის ხრახნი
12. 2x M5x35 შესაკიდი პანელის შერთების ხრახნი
13. 6x 3.9x22 კვამლსარინის შემაერთებელი პანელის ხრახნი
14. 2x 3.5x9.5 კვამლსადენის მართებელი ზესადების ხრახნი
15. 2x 3,5X9,5 უსინათლო ხრახნი
16. პლასტიკური ადაპტერი (მოედანზე მრგვალი)
17. დაუბრუნებელი სარქველი

18. საჰაერო შეშფოთება
19. პლასტმასის ადაპტერი (ჰაერის დივერტერი)

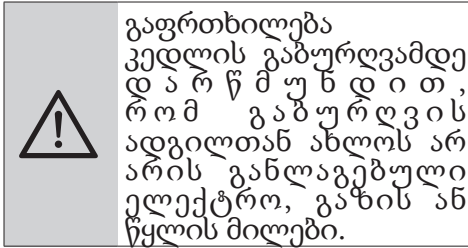
ინფორმაცია გამწოვის მონტაჟისთვის შესაფერისი ადგილის შესახებ მოცემულია ქვემოთ.

5.3 კედელზე დამონტაჟება

- კედელი უნდა იყოს ბრტყელი, სწორი და უნდა ჰქონდეს საკმარისი ზიდვის უნარი.
- გაბურღული ნახვრეტების სიღრმე უნდა შეესაბამებოდეს ჭანჭიკების სიგრძეს.
- კომპლექტში არსებული ჭანჭიკები და დიუბელები გამოსადეგია აგურის კედლებისთვის. სხვა სამშენებლო მასალის შემთხვევაში (მაგ., თაბაშირ-მუყაო, ფილა, ფორიზებული ბეტონი) საჭიროა შესაბამისი დამაფიქსირებელი დიუბელებისა და ჭანჩების გამოყენება.



(ნახატი 7)



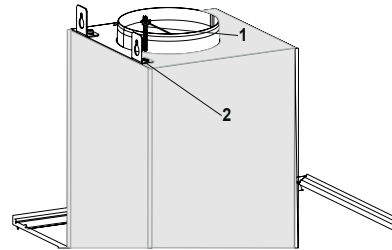
გაფრთხილება
კედლის გაბურღვამდე
დარწმუნდით,
რომ გაბურღვის
ადგილთან ახლოს არ
არის განლაგებული
ელექტრო, გაზის ან
წყლის მილები.

დახაზეთ შუა ხაზი ჭერიდან
გამწოვის ქვედა კიდის
პერპენდიკულარულად ().

დააყენეთ ანაწყობი კედელზე.
A და B წერტილებისთვის
გაითვალისწინეთ გამწოვის
მაქსიმალური ზომები და
მონიშნული წერტილები A და
B გაბურღეთ $\varnothing 6$ მმ ბურღით,
შემდეგ ჩასვით $\varnothing 6$ მმ პლასტმასის
დიუბელები. კედელზე დაამაგრეთ
კვამლსარინის შემაერთებელი
პანელი 2 ცალი 3.9x22 ხრახნით
(ნახატი 8).

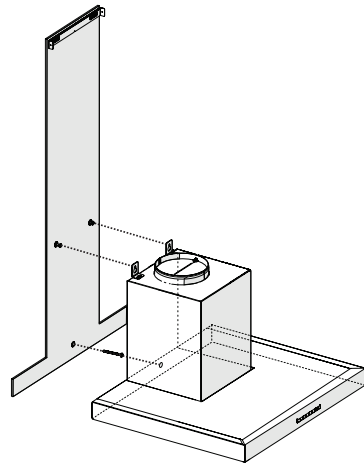
გამწოვის კორპუსის
დასამონტაჟებლად გაბურღეთ
წერტილები C,D,E, რომლებიც
მითითებულია მონტაჟის
შაბლონში, $\varnothing 10$ მმ ბურღით და
ჩასვით $\varnothing 10$ მმ დიუბელები ამ
წერტილებში (ნახატი 8).

დააყენეთ 2 ცალი 5.5x60 სამონტაჟო
ხრახნი C და D წერტილებში თავსა
და კედელს შორის 5 მმ დამორებით
(ნახატი 8).



(ნახატი 8)

დააყენეთ ორი ცალი შესაკიდი
პანელი გამწოვის კორპუსზე M5x35
სამონტაჟო ხრახნებით (ნახატი 8).



(ნახატი 9)

დაიჭირეთ გამწოვი კორპუსით
და განათავსეთ კედელზე
დამონტაჟებულ სამონტაჟო
ხრახნებზე, შემდეგ მოუჭირეთ
ხრახნებს (ნახატი 9).

დაამაგრეთ გამწოვი კედელზე
5.5x60 ხრახნით მოწყობილობის
შიდა მხარეს არსებული სამონტაჟო
ნახერეტის მეშვეობით (ნახატი 9).

5.4 შეერთება კვამლსარინთან

თუ აპირებთ Ø 120/150 მმ პლასტმასის კვამლსარინის ადაპტერის გამოყენებას, შეაერთეთ მილის ერთი ბოლო ამ ადაპტერთან; თუ არ აპირებთ მის გამოყენებას, შეაერთეთ პირდაპირ პროდუქტის გამომყვანთან. მილის მეორე ბოლო შეაერთეთ კვამლსარინთან. შეამოწმეთ, რომ ორივე შეერთება კარგად იყოს დამაგრებული, რათა არ მოდუნდეს მოწყობილობის სრული სიმძლავრით მუშაობისას. შეამოწმეთ, რომ საფრები კვამლსარინის შიგნით მუშაობს, როცა ისინი დამაგრებულია

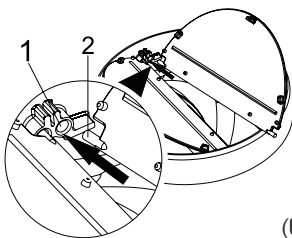
ფიქსატორებით. შეაერთეთ კვამლსარინის შემაერთებელი მილი ადაპტერის გარეთ (ნახატი 11/a). თუ შემაერთებელი მილი დაყენებული იქნება ადაპტერის შიგნით, ჰაერის შეწოვა არ მოხდება, რადგან კვამლსარინის საფარი, რომელიც ხელს უშლის ჰაერის უკან გამოდინებას, დახურული დარჩება (ნახატი 11 / b). მილის შეერთების სიგრძე და მუხლების რაოდენობა უნდა იყოს რაც შეიძლება ნაკლები.

A : კვამლსარინის გამოსაშვები მილი

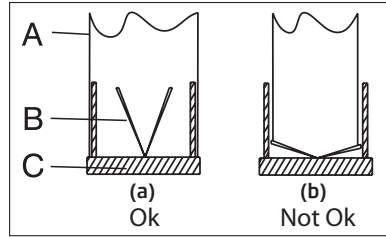
B : არარევერსული საფრები

C: პლასტმასის კვამლსარინი

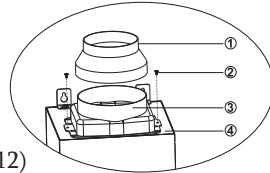
როცა მოწყობილობა არ მუშაობს, სარქველები დახურულია და ხელს უშლის სუნის და მტვრის შიგნით მოხვედრას.



(ნახატი 10)



(ნახატი 11)

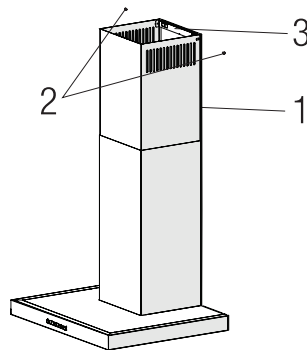


(ნახატი 12)

5.5 გამწოვის დამონტაჟება კვამლსარინზე

კვამლსარინის მონტაჟის დაწყებამდე გამართეთ ელექტრო შეერთებები. კვამლსარინის პანელები გადაადგილეთ კორპუსის გარშემო.

დამონტაჟეთ კვამლსარინის პანელი სამაგრ პანელზე, რომელიც დამაგრებულია კედელზე ზედა გარე კიდის მხარეს (ნახატი 13).

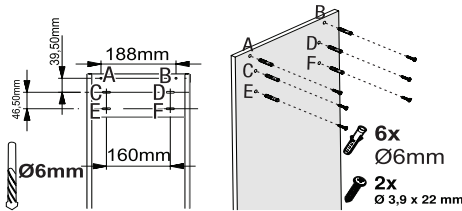


(ნახატი 13)

1. შიდა კვამლსარინი
2. 3.5x9.5 ხრახნი
3. კვამლსარინის შემაერთებელი პანელი

5.6 ჰაერის ამრეკლის მონტაჟი

ნახშირის ფილტრის გამოყენების შემთხვევაში, მოწყობილობის კომპლექტში შედის ჰაერის ამრეკლი, რომელიც ხელს უშლის ნახშირის ფილტრით გასუფთავებული ჰაერის გამოდინებას კვამლსარიანის ადგილას არსებული ხერელიდან. ჰაერის ამრეკლის აწყობის წესი აღწერილია ქვემოთ.



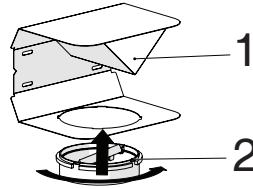
(ნახ. 14)

კვამლსარიანის შემაერთებელი პანელის შუაში არის ჩანართი. ამ ჩანართის შუა წერტილი განლაგეთ კედლის პერპენდიკულარულად გავლებულ ხაზზე. ჰორიზონტალურად გაასწორეთ და კალმით მონიშნეთ ნახვრეტების ადგილები, სადაც დამონტაჟდება შემაერთებელი პანელი (ნახატი 14 / A, B).

გაბურღეთ მონიშნული ადგილები ორი Ø6 მმ ბურღით და ჩასვით 2 Ø6 მმ პლასტმასის დიუბელი გაბურღულ ნახვრეტებში (ნახატი 14 / A, B).

კედელზე დაამაგრეთ კვამლსარიანის შემაერთებელი პანელი 3.9x22 ხრახნებით (ნახატი 14 / A, B).

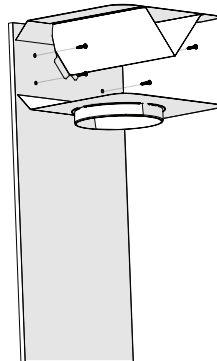
ჰაერის ამრეკლის დასამონტაჟებლად გაბურღეთ წერტილები C, D, E, F Ø6 მმ ბურღით და ჩასვით Ø6 მმ პლასტმასის დიუბელები (ნახატი 14).



(ნახ. 15)

- 1- ჰაერის ამრეკლი
- 2- პლასტმასის კვამლსარიანი

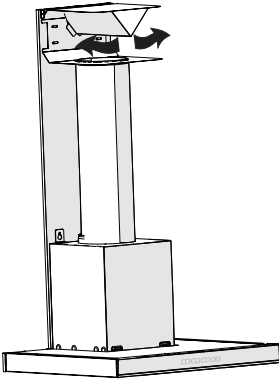
მიამაგრეთ კომპლექტში შემავალი პლასტმასის კვამლსარიანის ადაპტერი ჰაერის ამრეკლის მიმართულებით. დააფიქსირეთ კვამლსარიანის ადაპტერი მისი დატრიალებით ისრის მიმართულებით (ნახატი 15).



(ნახატი 16)

დააყენეთ ჰაერის ამრეკლის ბლოკი 3.9 x 22 ხრახნებით მომზადებულ წერტილებში C, D, E, F (ნახატი 14).

დააყენეთ გამწოვის კორპუსი (გვერდი 12 / ნახატი 7).



(ნახ. 17)

1- ჰაერის გამომშვები ალუმინის მილი
დააყენეთ ჰაერის გამომშვები მილი
(ნახატი 17).



იმის გამო, რომ ალუმინის მილის მოღუნვა გამოიწვევს ჰაერის შეწოვის სიმპლავრის შემცირებას, მაქსიმალურად ეცადეთ არ მოღუნოთ მილი.

დაამონტაჟეთ გამწოვის კვამლსარიხის პანელები (გვერდი 13 / ნახატი 13).

6 პრობლემების აღმოფხვრა

პრობლემების აღმოფხვრა	ძირითადი მიზეზი	დახმარება
მოწყობილობა არ მუშაობს.	შეამოწმეთ მცველები.	შესაძლოა, მცველი გადაიწვა, შეამოწმეთ და გამოცვალეთ ის.
მოწყობილობა არ მუშაობს.	შეამოწმეთ ელექტრო შეერთება.	ელექტროქსელის ძაბვა უნდა იყოს 220-240 ვ.
მოწყობილობა არ მუშაობს.	შეამოწმეთ ელექტრო შეერთება.	შეამოწმეთ, მუშაობს თუ არა სხვა მოწყობილობები სამზარეულოში.
განათება არ მუშაობს.	შეამოწმეთ ელექტრო შეერთება.	ელექტროქსელის ძაბვა უნდა იყოს 220-240 ვ.
განათება არ მუშაობს.	შეამოწმეთ სანათის გადამრთველი.	სანათის გადამრთველი უნდა იყოს პოზიციაში „ჩართული“.
განათება არ მუშაობს.	შეამოწმეთ სანათები.	მოწყობილობის სანათები უნდა ანათებდეს.
მოწყობილობის ჰაერის შემწოვი არასაკმარისად მუშაობს.	შეამოწმეთ ალუმინის ფილტრი.	ჩვეულებრივ პირობებში ალუმინის ზეთის ფილტრი უნდა გაასუფთავოთ მინიმუმ თვეში ერთხელ.
მოწყობილობის ჰაერის შემწოვი არასაკმარისად მუშაობს.	შეამოწმეთ ჰაერის გამომშვები კვამლსარიანი.	ჰაერის გამომშვები კვამლსარიანი უნდა იყოს პოზიციაში „ჩართული“.
მოწყობილობის ჰაერის შემწოვი არასაკმარისად მუშაობს.	შეამოწმეთ ნახშირის ფილტრი.	ჩვეულებრივ პირობებში მოწყობილობის ნახშირის ფილტრები უნდა შეცვალოთ 3 თვეში ერთხელ.

Lees deze gids eerst!

Beste klant,

Bedankt dat u voor een BEKO product hebt gekozen. Wij willen graag dat u het optimale rendement haalt uit dit hoogwaardige product, dat met de modernste technologie is vervaardigd. Zorg ervoor dat u deze handleiding en aanvullende documentatie volledig doorleest en begrijpt voordat u ze gebruikt en bewaar ze als referentie. Neem deze gids mee als u hem aan iemand anders overhandigt. Neem alle waarschuwingen en informatie hierin in acht en volg de instructies op.

Vergeet niet dat deze handleiding van toepassing kan zijn op meerdere productmodellen. De handleiding vermeldt eventuele variaties tussen de verschillende modellen heel duidelijk.

Symbolen en hun betekenis

Deze symbolen worden overal in deze gids gebruikt:



Belangrijke informatie en aanbevelingen met betrekking tot het gebruik van het apparaat.



OPGELET: Waarschuwingen voor persoonlijk letsel of materiële schade.



Elektrische schok waarschuwing,



Risico op brand.



Dit product is vervaardigd in moderne faciliteiten met respect voor het milieu zonder de natuur te schaden.

Voldoet aan de WEEE-regelgeving.



Geen PCB inbegrepen.

1.1 Algemene veiligheid

Belangrijke veiligheidsinstructies. Lees zorgvuldig en bewaar ter referentie in de toekomst Dit deel bevat veiligheidsinstructies die u beschermen tegen het risico op brand, elektrische schok, blootstelling aan lekkende magnetronstralen, persoonlijk letsel of materiële schade. Het niet opvolgen van deze instructies maakt elke garantie ongeldig.

- Beko-producten voldoen aan de van toepassing zijnde veiligheidsnormen; daarom moet in het geval van beschadiging aan het apparaat of het stroomsnoer dit worden gerepareerd of vervangen door de dealer, het servicecentrum of een specialist en erkende service om elk gevaar te vermijden. Verkeerd of niet-gekwalificeerd reparatiewerk kan gevaarlijk zijn en een risico vormen voor de gebruiker.
- Dit apparaat is bedoeld voor huishoudelijk gebruik en vergelijkbare toepassingen zoals:
 - personeelskeukens in winkels, kantoren en andere werkomgevingen;
 - boerderijen;
 - bij klanten in hotels en andere types van overnachtingsomgevingen;
 - omgevingen van het type bed-and-breakfast.
- Gebruik dit apparaat uitsluitend voor het beoogde doel zoals beschreven in deze handleiding.
- De producent kan niet aansprakelijk worden gehouden voor schade die is ontstaan door ongeschikte installaties of onjuist gebruik van het product.
- Dit apparaat kan worden gebruikt door kinderen vanaf 8 jaar en personen met verminderde fysieke, zintuiglijke of mentale vermogens, of met een gebrek aan ervaring en kennis, als deze onder toezicht staan of instructies hebben gekregen betreffende het veilige gebruik van het apparaat en op de hoogte zijn van de betrokken gevaren.
- Laat kinderen niet met het apparaat spelen. Reiniging en gebruikersonderhoud dienen niet zonder toezicht door kinderen uitgevoerd te worden.
- De minimale afstand tussen het ondersteunende oppervlak voor het kookgerei op de kookplaat en het laagste gedeelte van uw product moet minstens 65 cm zijn.
- Als de installatie-instructies voor het gasfornuis een grotere afstand aangeeft, dient hier rekening mee te worden gehouden.
- Zorg ervoor dat uw netstroom overeenkomt met de informatie die staat op het typeplaatje van het apparaat.
- Gebruik het apparaat nooit als de stroomkabel of het apparaat zelf beschadigd is.
- Vermijd schade aan de stroomkabel door knijpen, buigen of wrijven langs scherpe randen. Houd de stroomkabel uit de buurt van hete oppervlakken en open vuur.

- Gebruik het apparaat uitsluitend met een geaard stopcontact.

WAARSCHUWING: Sluit het apparaat niet op het stroomnetwerk aan totdat de installatie volledig is afgerond.

- Plaats het apparaat zodanig dat de stekker altijd toegankelijk is.
- De verlichting na langdurige werking niet aanraken. De lampen zijn heet en kunnen uw handen verbranden.
- Volg de voorschriften op die door de deskundige autoriteiten zijn bepaald wat betreft de luchtafvoer (deze waarschuwing is niet van toepassing bij gebruik zonder rookkanaal).
- Zet het apparaat aan nadat er een pan op de kookplaat is gezet. Anders kan de hoge warmte in sommige delen van uw product vervorming veroorzaken.
- Zet de kookplaat uit voordat u de pan van de kookplaat haalt.
- Laat geen hete olie achter op de kookplaat. Pannen met hete olie kunnen in brand vliegen.
- Let op uw gordijnen en andere afdekkingen, want olie kan bij de bereiding van bijvoorbeeld patat in brand vliegen.
- Vetfilters moeten minstens eens per maand worden vervangen. Koolstoffilters moeten minstens eens per 3 maanden worden vervangen.
- Het product moet worden gereinigd in overeenstemming met de gebruikershandleiding. Als bij reiniging de gebruikershandleiding niet wordt opgevolgd, kan er brandgevaar ontstaan.
- Gebruik in plaats van het huidige filter geen filtermaterialen die niet vuurbestendig zijn.
- Gebruik alleen de originele onderdelen of onderdelen aanbevolen door de fabrikant.
- Gebruik het product niet zonder filter en verwijder de filters niet als het product in werking is.
- In het geval er vlammen ontstaan, schakelt u uw apparaat en kooktoestellen uit.
- Bedek de vlammen als deze ontstaan en blus ze nooit met water.
- Trek de stekker van het apparaat uit het stopcontact vóór elke reiniging en wanneer het apparaat niet in gebruik is.
- De negatieve druk in de ruimte mag niet hoger zijn dan 4 Pa (4 x 10 bar) als de afzuigkap voor de elektrische kookplaat en apparaten op een andere energiebron werken, maar de stroom tegelijkertijd in werking is.
- In de ruimte waar het apparaat wordt gebruikt, moeten de uitlaten van apparaten die op olie of gas werken, zoals een kamerverwarming, volledig worden geïsoleerd of het apparaat moet van een hermetisch afgesloten type zijn.
- Gebruik om het rookkanaal aan te sluiten pijpen met een diameter van 120 of 150

mm. De pijpansluiting moet zo kort mogelijk zijn en zo min mogelijk ellebogen hebben.

Verstikkingsgevaar! Houd alle verpakkingsmaterialen uit de buurt van kinderen.

LET OP: Toegankelijke delen kunnen indien gebruikt met kookapparaten heet worden.

- De afvoer van het product mag niet worden aangesloten op luchtkanalen die een ander soort rook bevatten.
- Er kan onvoldoende ventilatie in de ruimte zijn als de afzuigkap voor de elektrische kookplaat tegelijk wordt gebruikt met de toestellen die op gas of andere brandstoffen werken (dit is mogelijk niet van toepassing op apparaten die de lucht uitsluitend terug in de ruimte brengen).
- Op het product geplaatste voorwerpen kunnen vallen. Plaats geen voorwerpen op het product.
- Flambeer niet onder uw product.

WAARSCHUWING: Verwijder de beschermende folie voordat u de afzuigkap installeert.

- Zorg tijdens de werking dat er zich onder de afzuigkap nooit hoge vlammen bevinden.
- Frituurpannen moeten tijdens gebruik voortdurend onder toezicht staan: oververhitte olie kan in brand vliegen.

1.2 Naleving van de WEEE-norm en verwerking van afvalproducten:

Dit product voldoet aan de WEEE-norm van de EU (2012/19/EU). Dit product heeft een classificatiesymbool voor verwerking van elektrische en elektronische apparatuur (WEEE).



Dit symbool geeft aan dat dit product niet met ander huishoudelijk afval mag worden weggegooid aan het einde van zijn levensduur. Het gebruikte apparaat moet worden geretourneerd naar het officiële inzamelpunt voor recycling van

elektrische en elektronische apparaten. Om deze inzamelpunten te vinden kunt u contact opnemen met uw lokale autoriteiten of detailhandelaar waar het product werd verkocht. Ieder huishouden voert een belangrijke rol uit in terugwinnen en recycling van oude apparatuur.

Een juiste afvalbehandeling levert een bijdrage ter voorkoming van de negatieve gevolgen voor het milieu en de volksgezondheid.

1.3 Naleving van de RoHS-richtlijn

Het door u aangekochte product voldoet aan de EU RoHS-norm (2011/65/EU). Het bevat geen

schadelijke en verboden materialen die in de norm zijn vermeld.

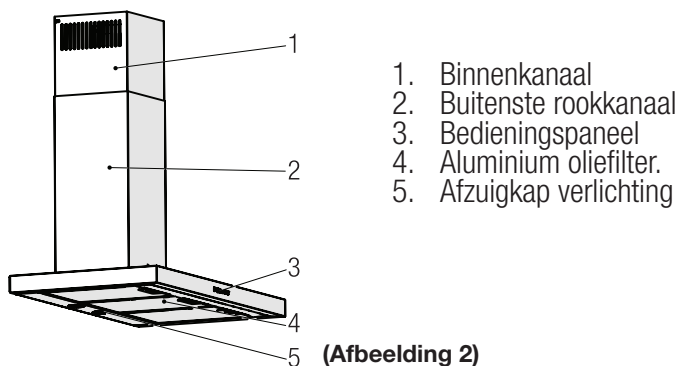
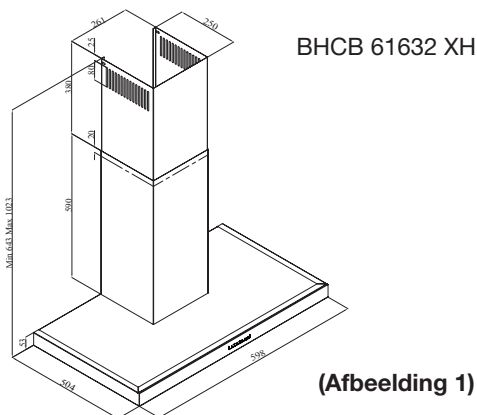
1.4 Verpakkingsinformatie



Verpakkingsmaterialen van het product zijn gemaakt uit recycleerbare materialen in overeenstemming met onze nationale milieuverordeningen. Gooi de verpakkingsmaterialen niet samen met het huishoudelijk afval of ander afval weg. Breng ze naar de inzamelpunten voor verpakkingsmaterialen aangewezen door de lokale instanties.

2 Algemeen voorkomen

2.1 Overzicht

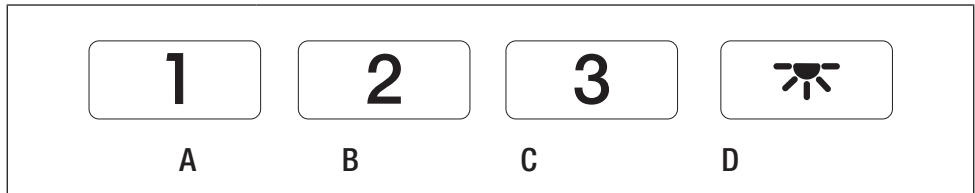


2.2- Technische gegevens

Model	BHCB 61632 XH
Toevoerspanning	220-240V ~ 50 Hz
Lampvermogen (W)	2 x 3 W
Motorvermogen (W)	210 W
Debiet (m ³ /h) – 3. Niveau	612 m ³ /h
Isolatieklasse van de motor	Klasse F
Isolatieklasse	Klasse I

3 Werking van het apparaat

3,1 Controle van het toestel



Sleutel	FUNCTIE
(A) : 1. Fase knop	Bedient het apparaat op 1e snelheid. Wanneer u nogmaals op deze toets drukt om het apparaat uit te schakelen, wordt de snelheid van het scherm uitgeschakeld.
(B) : 2. Fase knop	Bedient het apparaat op 2e snelheid. Wanneer u nogmaals op deze toets drukt om het apparaat uit te schakelen, wordt de snelheid van het scherm uitgeschakeld.
(C) : 3e fase knop	Bedient het apparaat op 3e snelheid. Wanneer u nogmaals op deze toets drukt om het apparaat uit te schakelen, wordt de snelheid van het scherm uitgeschakeld.
(D) : Lichten aan/uit	U kunt het kookgedeelte verlichten door op deze toets te drukken. Druk nogmaals op de knop om de lamp uit te schakelen.

3.2 Energie-efficiënte werking in termen van besparing

Gebruik

- Wanneer u uw apparaat gebruikt, moet u de snelheidsinstellingen aanpassen aan de intensiteit van de damp en de geur, om energie te besparen.
- Gebruik lage snelheden (1-2) onder normale omstandigheden, en hoge snelheden (3) voor intense geur en damp.
- * De lampen op de afzuigkap zijn geplaatst voor het verlichten van de kookzone.

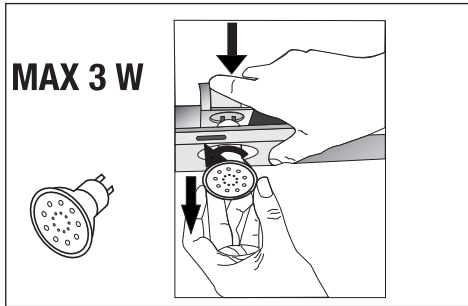
Het gebruik ervan voor milieuverlichting moet leiden tot onnodige energie-uitgaven en onvoldoende verlichting.

3.3 Werken op Instructies

- Uw toestel bevat een motor met verschillende snelheden.
- Voor betere prestaties raden wij aan om lage snelheden te gebruiken onder normale omstandigheden en hoge snelheden in geval van sterke geuren en intense dampen.
- U kunt uw apparaat starten door op de gewenste snelheidsinsteltoets te drukken. (A, B, C)
- U kunt het kookgedeelte verlichten door op de lamp (D) te drukken.


3 Werking van het apparaat

3.4 Vervanging van de lamp

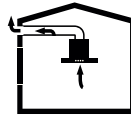


(Afbeelding 3)

Maak de elektrische aansluitingen van het apparaat. Uw toestel maakt gebruik van een 3W-spots LED-lamp. Voor het vervangen van de lampen duwt u de houder van achteren naar beneden, draait u deze tegen de klok in en haalt u deze naar beneden. Pas de bovenstaande handeling in omgekeerde volgorde toe om nieuwe lampen te installeren (Afbeelding 3).

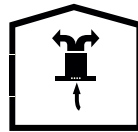
Lamp	
Lampstroom (W)	3
Houder / Stopcontact	GZ 10
Lampspanning (V)	220 - 240
Afmeting(mm)	53 x 50
ILCOS Code	DR/F3-220-240-GZ10-50-53

3.5 Bediening met rookgasafvoer



- De damp wordt afgezogen via het rookkanaal, dat aan de aansluitkop op de kap wordt bevestigd.
- De diameter van het rookkanaal moet gelijk zijn aan de aansluitring. Bij een horizontale opstelling moet de buis een lichte opwaartse helling hebben (ongeveer 10°), zodat de lucht gemakkelijk de ruimte kan verlaten.

3.6 Bediening met rookgasafvoer



- De lucht wordt door het koolstoffilter gefilterd en in de ruimte gerecirculeerd. Koolstoffilter wordt gebruikt wanneer het onmogelijk is om een schoorsteen in huis te gebruiken.
- Bij gebruik zonder afvoer verwijdert u de kleppen in de rookgasadapter.
- Verwijder het oliefilter. Om het koolstoffilter te installeren, plaatst u het filter op de lipjes door het te centreren op het kunststofstuk aan beide zijden van het ventilatorhuis. draai het vast door naar rechts of naar links te draaien.
- Vervang het aluminium oliefilter.

4 Reiniging en onderhoud



Trek de stekker uit het stop-contact of zet de schakelaar uit voordat u het product reinigt en onderhoudt.



U mag ook de aluminium oliefilters in de wasmachine wassen.

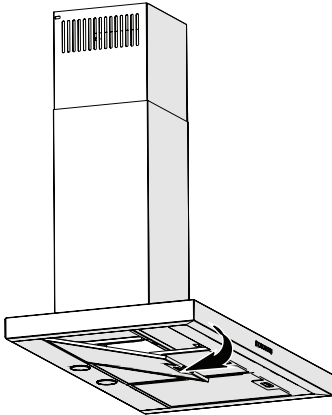
4.1 Reinigen van aluminium oliefilters

Het aluminium oliefilter wordt gebruikt om de oliedeeltjes in de lucht vast te houden. Aluminiumfilters kunnen na herhaalde reiniging van kleur veranderen. Dit is normaal, en u hoeft uw filters niet te vervangen.



OPGELET

Bij normaal gebruik dient u uw aluminium oliefilter één keer per maand te reinigen.

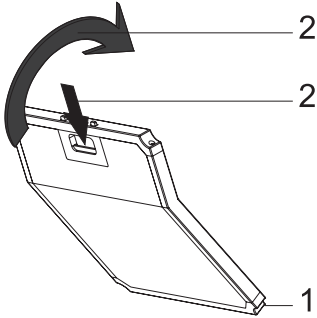


(Afbeelding 4)

- Duw het aluminium oliefilterslot naar voren.
- Trek hem dan iets naar beneden en trek hem eruit (Afbeelding 4). Anders kun je het filter buigen. Was en spoel aluminium olie filters met vloeibaar reinigingsmiddel en Vervang de aluminium oliefilters op hun stoelen door de bovenstaande stappen in omgekeerde volgorde uit te voeren. Deze aluminium oliefilters worden gebruikt om de oliedeeltjes in de lucht vast te houden.

4 Reiniging en onderhoud

4.2 Vervanging van koolstoffilters



(Afb. 5)

Het apparaat dat u gekocht hebt, is geschikt voor gebruik met koolstoffilters.

- Verwijder het aluminium oliefilter (Afbeelding 4).
- Plaats het onderste deel van het koolstoffilter in de motorkast (Afbeelding 5).
- Druk op het lipje van het koolstoffilter en duw het naar voren, en zorg ervoor dat de lipjes van het koolstoffilter ingeschakeld en vergrendeld zijn. (Afbeelding 5).
- Install the aluminium oil filter.



OPGELET

Koolstoffilter mag nooit worden gewassen.



OPGELET

Vervang de koolstoffilters eens in de 3 maanden.



OPGELET

Het koolstoffilter is verkrijgbaar bij de geautoriseerde diensten.

5 Installatie van het toestel



WAARSCHUWING!

Lees de veiligheidsinformatie in de gebruikershandleiding voordat u met de installatie begint.



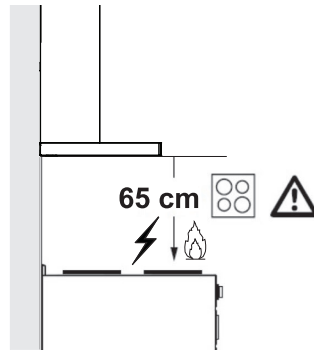
WAARSCHUWING!

Het niet installeren met schroeven en stabilisatoren in overeenstemming met deze instructies kan leiden tot elektrische schokken.

Neem voor de installatie van de kap contact op met de dichtstbijzijnde geautoriseerde service.

Het is de verantwoordelijkheid van de klant om de locatie en de elektrische installatie van de kap voor te bereiden.

5.1 Positie van het toestel

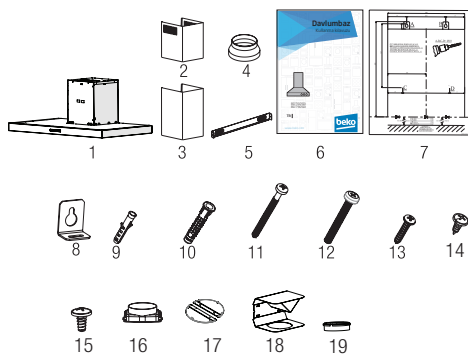


(Afbeelding 6)

- De afstand tussen het kooktoestel en de afzuigkap moet vóór de montage in acht worden genomen. Deze afstand moet 65 cm bedragen (Afbeelding 6).
- Bij gasfornuizen moet de afstand tot het oppervlak van het rooster worden gemeten,
- van het oppervlak van glas voor elektrische fornuizen.

5 Installatie van het toestel

5.2 Installatie toebehoren

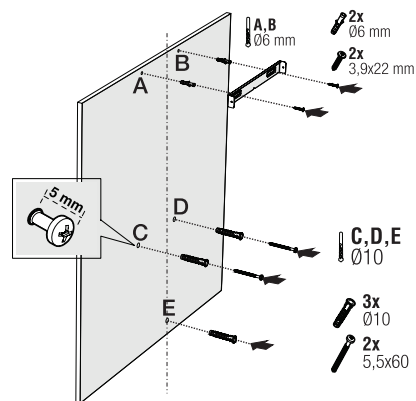


1. Product
2. Binnenkanaal
3. Buitenste rookkanaal
4. Ø150/120mm Rookgasadapter
5. Schoorsteenaansluiting Plaatje
6. Gebruikershandleiding
7. Assemblage patroon
8. 6x klemplaat
9. 6x Ø6mm Plastic deugel
10. 3x Ø10mm Plastic deugel
11. 3x 5.5x60 Wandmontageschroef
12. 2x M5x35 Hanging Plate Connection Screw
13. 6x 3.9x22 Muurbevestigingsschroef
14. 2 x 3,5 x 9,5 schoorsteen verbingsplaat schroef
15. 2 x 3,5 x 9,5 blinde schroef
16. Plastic adapter (vierkant naar rond)
17. Terugslagklep
18. Luchtdeflector
19. Plastic adapter (lucht richtklep)

De informatie die nodig is om de locatie geschikt te maken voor de installatie van de kap wordt hieronder gegeven.

5.3 Wandmontage

- De wand moet vlak en recht zijn en voldoende draagkracht hebben.
- De diepte van de boorgaten moet overeenkomen met de lengte van de bouten.
- De meegeleverde bouten en deugels zijn geschikt voor gemetselde muren. Voor ander bouw materiaal (bv. gipsplaat, plaat, poreus beton) moeten geschikte bevestigingsdonsels en moeren worden gebruikt.



(Afbeelding 7)



OPGELET
Controleer voor het boren of er geen stroom-, gas- of waterleidingen in de nabijheid van de boorlocaties liggen.

Trek een middellijn vanaf het plafond loodrecht op de onderrand van de kap ().

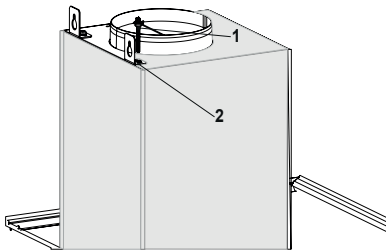
Bevestig het montageschema aan de muur. Neem voor de punten A en B de maximale afmetingen van de kap als referentie, en de boorpunten A en B heeft u gemarkeerd met een Ø6mm boor, en tik op Ø6mm plastic wandpluggen. Monteer de rook-

5 Installatie van het toestel

gasaansluitplaat aan de wand met 2 stuks 3.9x22 schroeven (Afbeelding 8).

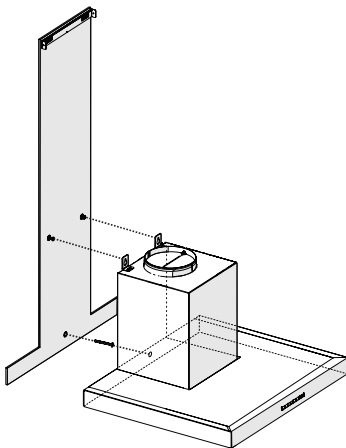
Voor de montage van de kapbehuizing worden de in het installatiesjabloon aangegeven boorpunten C,D,E met een boor $\varnothing 10\text{mm}$ en een kunststof deugel $\varnothing 10\text{mm}$ naar deze punten getapt (Afbeelding 8).

Installeer 2 stuks 5,5x60 montageschroeven op de punten C en D met een vrije ruimte van 5 mm tussen de schroefkop en de wand. (Afbeelding 8).



(Afbeelding 8)

Installeer twee ophangplaatjes op de carrosserie van de kap met M5x35 montageschroeven (Afbeelding 9).



(Afbeelding 9)

Houd de afzuigkap bij de romp vast en plaats deze op de bevestigingsschroeven aan de wand en draai de schroeven vast (Afbeelding 9).

Bevestig de afzuigkap met twee 5,5x60 schroeven aan de wand door het bevestigingsgat aan de binnenzijde van het toestel (Afbeelding 9).

5.4 Aansluiten op rookkanaal

Als u de kunststof rookgasadapter $\varnothing 120/150$ mm gaat gebruiken, sluit u één uiteinde van de buis aan op deze adapter, als u deze niet gaat gebruiken, op de directe uitgang van het product. Sluit het andere uiteinde van de buis aan op uw schoorsteen. Controleer of deze twee aansluitingen stevig genoeg zijn, zodat ze er niet uitkomen als het apparaat op volle kracht draait. Controleer of de kleppen in het rookkanaal werken als ze zijn aangedraaid.

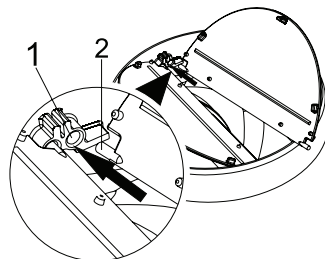
met klemmen. Sluit het rookgasaansluitkanaal buiten de adapter aan (Afbeelding 11/a). Als het aansluitkanaal in de adapter is gemonteerd, mag er geen lucht worden aangezogen, omdat de rookgasklep die de luchtafvoer verhindert, gesloten blijft (Afbeelding 11 / b). De lengte van de pijp aansluiting en het aantal ellebogen moet zo klein mogelijk zijn.

A : Rookgasafvoerpijp

B : Niet-terugkeerflappen

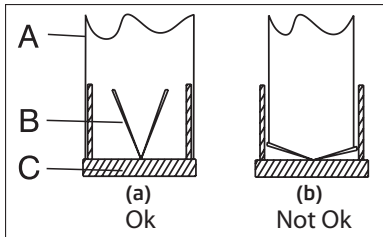
C: Kunststof rookkanaal

De ventielen zijn gesloten dan werkt het toestel niet en voorkomen dat er mogelijk geur en stof van buitenaf binnendringt.

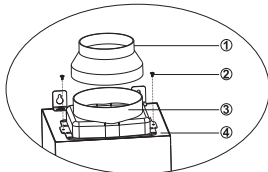


(Afbeelding 10)

5 Installatie van het toestel



(Afbeelding 11)

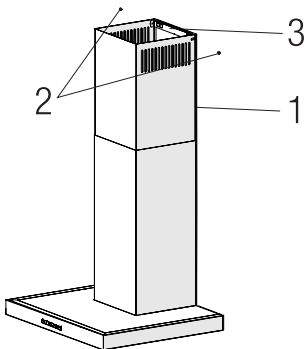


(Afbeelding 12)

5.5 Plaatsing van de kap aan de schoorsteenmantel

Maak de elektrische aansluiting van uw afzuigkap voordat u begint met de installatie van de schoorsteen. Schuif de schoorsteenplaten om het lichaam heen.

Installeer het rookkanaal op de bevestigingsplaat van het rookkanaal, die vanaf de bovenste buitenranden aan de muur is bevestigd (Afbeelding 13).

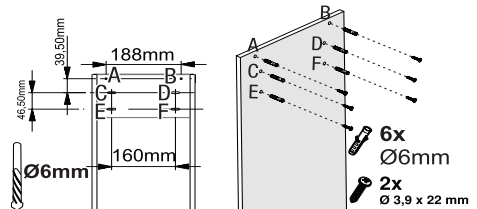


(Afbeelding 13)

1. Binnenkanaal
2. 3.5X9.5 Schroef
3. Schoorsteenaansluiting Plaatje

5.6 Installatie van het Air Baffle

Tijdens het gebruik van de koolstoffilter wordt het luchtfilter bij uw toestel geleverd met als doel de lucht die met de koolstoffilter is gereinigd, weer vrij te maken van de geperforeerde plaats op de schoorsteen. Monteer het luchtschot zoals hieronder.



(Afb. 14)

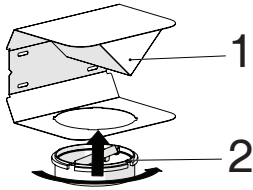
Er zit een lipje in het midden van de rookgas aansluitplaat. Plaats het middelste punt van dit lipje op de lijn die loodrecht op de muur is getekend. Lijn horizontaal uit en markeer de gaten waar de aansluitplaat met een pen wordt gemonteerd (Afbeelding 14 / A, B).

Boor de gemarkeerde punten met Ø6mm boor en steek twee Ø6mm plastic deuvels in de geboorde gaten (Afbeelding 14 / A, B).

Bevestig de rookgas aansluitplaat aan de wand met 3,9x22 schroeven (Afbeelding 14 / A, B).

Voor de montage van het luchtschot monteert u punt C, D, E, F met Ø6mm boormachine en Ø6mm kunststof deuvels (Afbeelding 14).

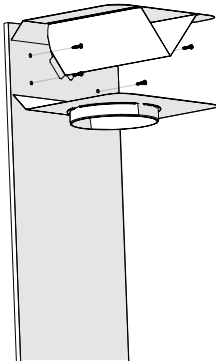
5 Installatie van het toestel



(Afb. 15)

- 1- Luchtfilter
- 2- Kunststof rookkanaal

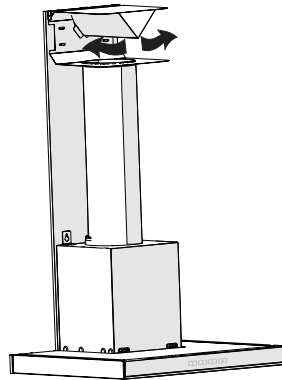
Bevestig de plastic rookgasadapter, die in de verpakking zit, in de richting van het luchtgordijn. Vergrendel de rookgasadapter door deze in de richting van de pijl te draaien (afbeelding 15).



(Afbeelding 16)

Monteer de luchtgroep met 3,9 x 22 schroeven van punt C, D, E, F die u al heeft voorbereid (Afbeelding 14).

Monteer de motorkapbody (Pagina 12 / Afbeelding 7).



(Afb. 17)

- 1- Aluminium luchtuitlaatpijp
- Maak de luchtuitblaaspijp montage (Afbeelding 17).



Aangezien kronkels en bochten in de aluminium buis zullen resulteren in een lager afzuigvermogen moet u kronkels en bochten zo veel mogelijk vermijden.

Installeer de schoorsteenplaten van de kap (Pagina 13 / Afbeelding 13)

6 Probleemoplossen

Probleemoplossen	Oorzaak	Help
Apparaat werkt niet:	Controleer je zekeringen.	Zekering kan worden opgeblazen, geïnspecteerd en hersteld.
Apparaat werkt niet:	Controleer de elektrische aansluiting.	De netspanning moet tussen 220 en 240 V liggen.
Apparaat werkt niet:	Controleer de elektrische aansluiting.	Controleer of een ander apparaat in uw keuken werkt.
Verlichtingslicht werkt niet.	Controleer de elektrische aansluiting.	De netspanning moet tussen 220 en 240 V liggen.
Verlichtingslicht werkt niet.	Inspecteer de lichtschakelaar.	De schakelaar van de lamp moet in de "aan"-stand staan.
Verlichtingslicht werkt niet.	Inspecteer de lampen.	De lampen van het toestel moeten branden.
De luchtinlaat van het apparaat is onvoldoende.	Inspecteer het aluminium filter.	Onder normale bedrijfsomstandigheden moet het aluminium oliefilter ten minste eenmaal per maand worden gereinigd.
De luchtinlaat van het apparaat is onvoldoende.	Controleer het luchtafvoerkanaal.	Het luchtafvoerkanaal moet in de "aan"-stand staan.
De luchtinlaat van het apparaat is onvoldoende.	Inspecteer het koolstoffilter.	De filters van de apparaten met koolstoffilters moeten onder normale omstandigheden één keer per drie maanden worden vervangen.

Deve ler primeiro este manual!





Caro Cliente,

Agradecemos ter escolhido um produto BEKO. Gostaria de obter uma eficiência ótima deste produto de alta qualidade que foi fabricado com a tecnologia mais moderna. Assegurar que este manual e a documentação suplementar são totalmente lidos e compreendidos antes da utilização e deve guardar o mesmo para referência futura. Deve incluir este manual com a unidade caso o produto seja cedido a outra pessoa. Deve respeitar todas as advertências e toda a informação contida no mesmo e seguir as instruções.

Ter em mente que este guia do utilizador é aplicável a vários modelos do produto. O guia indica claramente quaisquer variações de modelos diferentes.

Símbolos e o respetivo significado

Estes símbolos são usados ao longo deste manual:

	Informação importante e recomendações relativamente ao uso do aparelho.
	CUIDADO: Avisos sobre ferimentos pessoais ou danos à propriedade.
	Advertência de choque elétrico,
	Advertência de risco de incêndio.



Este produto foi fabricado em instalações modernas que respeitam o ambiente sem prejudicarem a natureza.

1.1 Segurança geral

Instruções importantes sobre a segurança, leia com cuidado e mantenha para a referência futura. Esta secção contém instruções de segurança que ajudarão a protegê-lo(a) contra o risco de incêndio, exposição a energia de micro-ondas libertada acidentalmente, ferimentos pessoais ou danos à propriedade. O não cumprimento destas instruções invalida a garantia concedida.

- Os produtos Beko estão em conformidade com as normas de segurança aplicáveis; portanto, em caso de qualquer dano no aparelho ou cabo de alimentação, deve ser reparado ou substituído pelo revendedor, centro de assistência ou por uma assistência especializada e autorizada para evitar qualquer perigo. Reparações defeituosas ou não qualificadas podem ser perigosas e constituir riscos para o utilizador.
- Este aparelho destina-se à utilização doméstica e aplicações semelhantes, como por exemplo:
 - Áreas da cozinha dos funcionários em lojas, escritórios e outros ambientes de trabalho;
 - Casas de turismo rural;
 - Por clientes em hotéis, pensões e outros tipos de ambientes residenciais;
 - Alojamentos do tipo cama e pequeno-almoço.
- Use este aparelho apenas para os fins a

que se destina e tal como descrito neste manual.

- O fabricante não se responsabiliza por quaisquer danos resultantes de uma instalação incorreta ou imprópria.
- Este equipamento pode ser usado por crianças com idade de 8 anos ou mais e por pessoas com capacidades físicas, sensoriais ou mentais reduzidas ou com falta de experiência e conhecimento se forem supervisionadas ou que lhes tenha sido dada instrução a respeito da utilização do equipamento de um modo seguro e que compreendam os perigos envolvidos.
- As crianças não devem brincar com o aparelho. A limpeza e a manutenção do utilizador não devem ser realizadas por crianças sem serem supervisionadas.
- A distância mínima entre a superfície de apoio para os recipientes na placa de cozinha e a parte inferior do produto deve ser de 65 cm, no mínimo.
- Se as instruções de instalação para a placa de cozinha a gás especificarem uma distância maior, esta deve ser tida em consideração.
- Certifique-se de que a alimentação elétrica está em conformidade com as informações fornecidas na placa de dados do aparelho.
- Nunca utilize o aparelho se o cabo de alimentação ou o próprio aparelho estiverem danificados.

- Evite danos ao cabo de alimentação, evitando apertá-lo, dobrá-lo ou arrastá-lo sobre extremidades pontiagudas. Mantenha o cabo de alimentação afastado de superfícies quentes e chamas vivas.
 - Apenas utilize o aparelho numa tomada com ligação à terra.
- AVISO:** Não ligue o aparelho à corrente até que a instalação esteja concluída.
- Coloque o aparelho de modo a que a ficha esteja sempre acessível.
 - Não toque nas lâmpadas caso tenham estado acesas durante muito tempo. Estas podem queimar as suas mãos, dado que ficam quentes.
 - Siga os regulamentos estabelecidos pelas autoridades competentes relativos ao ar de exaustão (este aviso não se aplica se o aparelho for utilizado sem chaminé).
 - Utilize o aparelho apenas depois de colocar um tacho, uma frigideira, etc. na placa de cozinha. Caso contrário, o calor excessivo pode deformar algumas partes do aparelho.
 - Desligue a placa de cozinha antes de retirar o tacho, a frigideira, etc.
 - Não deixe óleo quente na placa de cozinha. As frigideiras com óleo quente podem entrar em combustão espontânea.
 - Preste atenção às cortinas e tampas, pois o óleo pode incendiar-se enquanto se cozinha, por exemplo, batatas fritas.
 - O filtro de gordura deve ser substituído, no mínimo, mensalmente. O filtro de carbono deve ser substituído, no mínimo, a cada 3 meses.
 - O aparelho deve ser limpo de acordo com as instruções do manual do utilizador. Pode existir perigo de incêndio caso a limpeza não seja realizada de acordo com as instruções do manual do utilizador.
 - Não utilize materiais de filtração que não sejam resistentes ao fogo além do filtro atual.
 - Utilize apenas as peças originais ou peças recomendadas pelo fabricante.
 - Não utilize o aparelho sem o filtro e não retire os filtros durante o funcionamento do aparelho.
 - No caso de deflagrar uma chama, corte a alimentação elétrica do aparelho e dos eletrodomésticos.
 - No caso de deflagrar uma chama, cubra-a e nunca use água para extingui-la.
 - Desligue o aparelho antes de cada limpeza e quando este não estiver a ser utilizado.
 - A pressão negativa no ambiente não deverá exceder 4 Pa (4 x 10 bar) enquanto o exaustor para a placa de cozinha elétrica e os aparelhos alimentados por outro tipo de energia além da eletricidade estiverem a funcionar em simultâneo.
 - No ambiente em que o aparelho está a ser utilizado, a exaustão dos dispositivos

que funcionam a óleo combustível ou gás, como é o caso dos aquecedores, deverá ficar totalmente isolada. Caso contrário, o aparelho terá de ser de tipo hermético.

- Ao fazer a ligação à chaminé, utilize tubos com 120 ou 150 mm de diâmetro. A ligação do tubo deve ser o mais curta possível e ter o menor número de curvas possível.

Perigo de asfixia! Mantenha todos os materiais da embalagem afastados das crianças.

ATENÇÃO: Partes acessíveis podem ficar quentes quando utilizadas com aparelhos de cozinha.

- A saída do exaustor não pode estar ligada aos canais de ar que incluem outros fumos.
- A ventilação na divisão poderá ser insuficiente quando se utilizar o exaustor para a placa de cozinha elétrica simultaneamente com os dispositivos que funcionam a gás ou outros combustíveis (isto poderá não se aplicar aos aparelhos que apenas fazem o retorno do ar para a divisão).
- Os objetos colocados em cima do aparelho podem cair. Não coloque quaisquer objetos em cima do aparelho.
- Não flambeie debaixo do aparelho.

AVISO: Remova as películas protetoras antes de instalar a Placa de cozinha.

- Nunca deixe chamas vivas altas sob o exaustor quando este estiver em funcionamento

- Mantenha as fritadeiras sob controlo durante a utilização: o óleo sobreaquecido pode inflamar-se.

1.2 Conformidade com a Diretiva REEE e eliminação do produto residual:

Este produto está em conformidade com a Diretiva REEE da UE (2012/19/UE). Este produto traz um símbolo de classificação para reciclagem de equipamentos elétricos e eletrónicos (REEE).



Este símbolo indica que o produto não deve ser eliminado juntamente com o lixo doméstico no fim da sua vida útil. Os aparelhos usados devem ser levados para um ponto de recolha oficial para a reciclagem de aparelhos elétricos e eletrónicos. Para encontrar estes sistemas de recolha, entre em contacto com as autoridades locais ou com o revendedor através do qual adquiriu o produto. Cada domicílio desempenha um papel fundamental na recolha e reciclagem de aparelhos antigos. A eliminação correta de aparelhos usados ajuda a prevenir potenciais efeitos negativos ao meio ambiente e à saúde humana.

1.3 Conformidade com a Diretiva RoHS

O produto adquirido está em conformidade com a Diretiva RoHS da UE (2011/65/UE). Não contém

materiais prejudiciais ou proibidos especificados na Diretiva.

1.4 Informação de embalagem

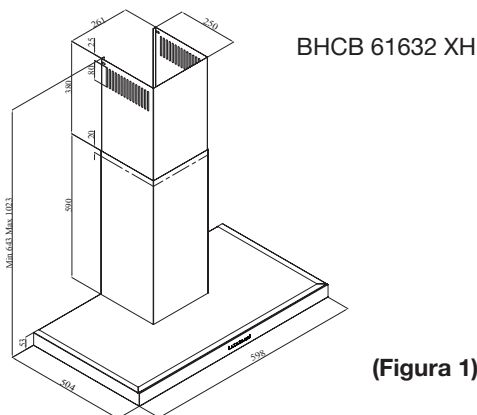


Os materiais para embalagem do produto são fabricados a partir de materiais recicláveis, em conformidade com a nossa Regulamentação

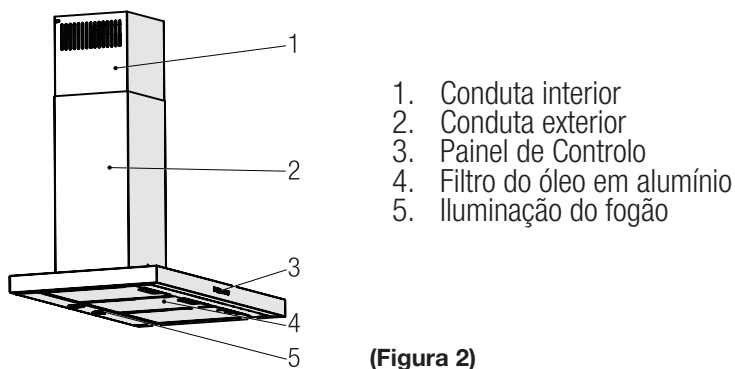
Nacional do Ambiente. Não elimine os materiais da embalagem juntamente com os resíduos domésticos ou outros tipos de resíduos. Leve-os para os pontos de recolha de materiais de embalagem designados pelas autoridades locais.

2 Aspeto geral

2.1 Generalidades



(Figura 1)



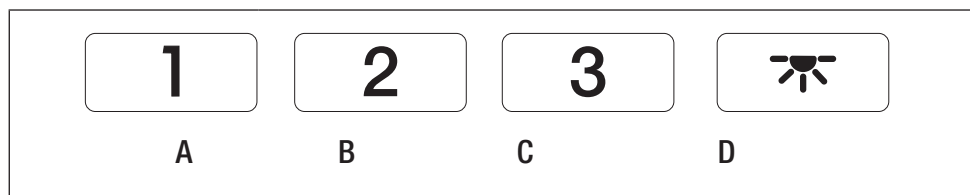
(Figura 2)

2,2 - Dados técnicos

Modelo	BHC61632 XH
Tensão de alimentação	220-240V ~ 50 Hz
Potência da lâmpada (W)	2 x 3 W
Potência do motor (W):	210 W
Taxa de fluxo (m ³ /h) – 3. Nível	612 m ³ /h
Classe de isolamento do motor	Classe F
Classe de isolamento	Classe I

3 Funcionamento do aparelho

3.1. Controlar o aparelho



TECLA	FUNÇÃO
(A) 1. Botão de fase	Opera o aparelho na 1ª velocidade. Quando premir este botão novamente para desligar o aparelho, a fase de velocidade do ecrã desliga.
(B) : 2. Botão de fase	Opera o aparelho na 2ª velocidade. Quando premir este botão novamente para desligar o aparelho, a fase de velocidade do ecrã desliga.
(C) : Botão 3ª Fase	Opera o aparelho na 3ª velocidade. Quando premir este botão novamente para desligar o aparelho, a fase de velocidade do ecrã desliga.
(D) : Ligar/desligar a iluminação	Pode iluminar a zona de cozedura premindo este botão. Voltar a premir este botão para desligar a lâmpada.

3.2 Funcionamento de eficiência energética em termos de poupança

Utilização

- Quando usar o seu aparelho, ajustar as definições da velocidade de acordo com a intensidade de vapor e de odor, de modo a economizar energia.
- Usar as velocidades reduzidas (1-2) em condições normais e a velocidade mais elevada (3) com vapor e odor intensos.
- * As lâmpadas no exaustor são colocadas para iluminar a zona de cozedura.

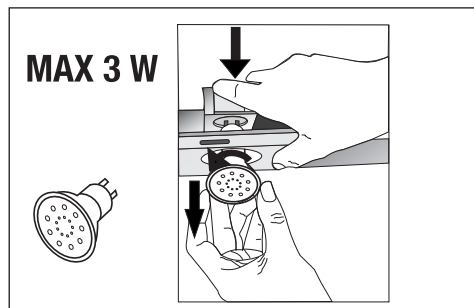
Se usar as mesmas para iluminação ambiente irá provocar consumo desnecessário de energia e iluminação insuficiente.

3.3 Instruções de funcionamento

- O seu aparelho inclui um motor com várias velocidades.
- Para um melhor desempenho, recomendamos usar velocidades reduzidas em condições normais e velocidades elevadas no caso de odores fortes e de vapor intenso.
- Pode começar a usar o seu aparelho premindo no botão de definição da velocidade pretendida. (A, B, C)
- Pode iluminar a zona de cozedura premindo a lâmpada (D).


3 Funcionamento do aparelho

3.4. Substituição da lâmpada

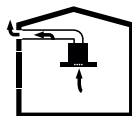


(Figura 3)

Fazer as ligações elétricas do aparelho. O seu aparelho usa lâmpada LED spot 3 W. Para substituir as lâmpadas, empurrar para baixo o suporte da lâmpada a partir de trás, rodá-lo no sentido anti-horário e tirá-lo por baixo. Realizar a operação acima no sentido inverso para instalar as novas lâmpadas (Figura 3).

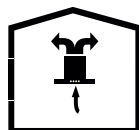
Lâmpada	
Potência da lâmpada (W):	3
Suporte / Tomada	GZ 10
Tensão da lâmpada (V)	220 - 240
Dimensão (mm)	53 x 50
Código ILCOS	DR/F3-220-240-GZ10-50-53

3.5 Funcionamento com ligação à conduta



- O vapor é extraído através da conduta de exaustão, a qual é fixada à cabeça de ligação no exaustor.
- O diâmetro da conduta de exaustão tem de ser o mesmo que o anel de ligação. Nas definições horizontais, o tubo tem de ter uma ligeira inclinação para cima (cerca de 10°) de modo a que o ar possa sair facilmente do espaço.

3.6 Funcionamento sem ligação à conduta



- O ar filtrado através do filtro de carvão e recirculado no espaço. O filtro de carvão é usado quando é impossível usar uma conduta na residência.
- Quando utilizado sem conduta de exaustão, remover as abas no interior do adaptador da conduta.
- Remover o filtro do óleo. Retirar o filtro de água. Para instalar o filtro de carvão, encaixar o filtro nas guias centrando o mesmo na peça de plástico nos dois lados da estrutura da ventoinha, apertar o mesmo rodando-o para a direita ou para a esquerda.
- Substituir o filtro do óleo.

4 Limpeza e manutenção



Antes de efetuar a limpeza e a manutenção, desligar o produto ou desligar o interruptor.



Pode igualmente lavar os filtros do óleo em alumínio na máquina de lavar.

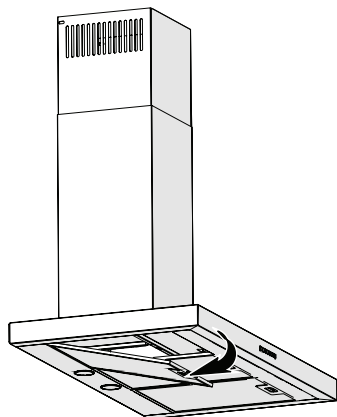
4.1. Limpeza dos filtros em alumínio do óleo

Este filtro retém as partículas do óleo existentes no ar. Os filtros de alumínio podem mudar de cor depois de limpezas repetidas. Isto é normal e não tem de substituir os seus filtros.



CUIDADO

Com uma utilização normal, limpar o filtro do óleo em alumínio uma vez por mês.

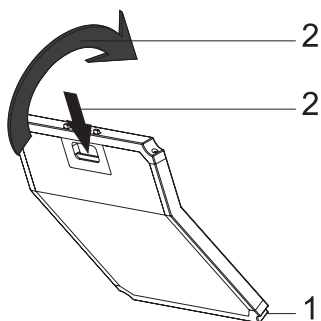


(Figura 4)

- Empurrar para a frente o fecho do filtro do óleo em alumínio..
- Seguidamente, puxar o mesmo para baixo e remover (Figura 4). Caso contrário, pode dobrar o filtro. Lavar e enxaguar os filtros do óleo em alumínio com líquido com detergente e voltar a colocar os mesmos nas tomadas respetivas realizando os passos acima na ordem inversa. Estes filtros de alumínio retêm as partículas do óleo existentes no ar.

4 Limpeza e manutenção

4.2 Substituição dos filtros de carvão



(Fig. 5)

O aparelho que comprou é adequado para uso com filtros de carvão.

- Remover os filtros de óleo em alumínio (Figura 4).
- Colocar a parte inferior do filtro de carvão na cavidade do motor (Figura 5)
- Premir a aba do filtro de carvão e empurrá-lo para a frente, e assegurar que as abas do filtro de carvão estão engatadas e bloqueadas. (Figura 5)
- Instalar os filtros de óleo em alumínio.



CUIDADO

O filtro de carvão nunca deve ser lavado.



CUIDADO

Substituir os filtros de carvão uma vez em cada 3 meses.



CUIDADO

Pode obter o filtro de carvão nos revendedores autorizados.

5 Instalação do aparelho



ADVERTÊNCIA!

Antes de iniciar a instalação, deve ler a informação de segurança no Manual do Utilizador.



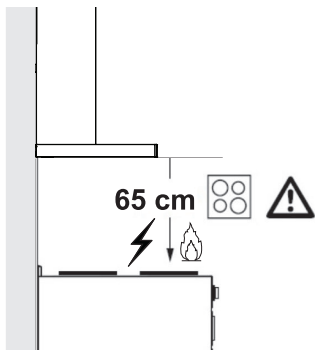
ADVERTÊNCIA!

Não instalar com parafusos e estabilizadores de acordo com estas instruções pode resultar em choque elétrico.

Para instalar o exaustor, deve contactar o Serviço Autorizado mais próximo.

É da responsabilidade do cliente preparar a localização e a instalação elétrica do exaustor.

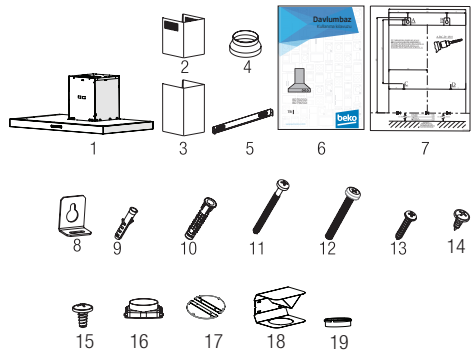
5.1 Posição do aparelho



(Figura 6)

- A distância entre o fogão e o exaustor tem de ser considerada antes da montagem.. Esta distância deve ser de 65 cm (Figura 6).
- A distância tem de ser medida a partir da superfície da grelha para os fogões a gás,
- a partir da superfície de vidro para os fogões elétricos.

5.2. Acessórios da instalação



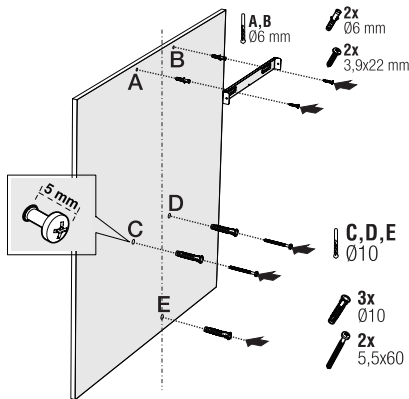
1. Produto
2. Conduto interior
3. Conduto exterior
4. Adaptador da conduta Ø150/120 mm
5. Placa de ligação da conduta
6. Manual do Utilizador
7. Desenho da montagem
8. 6 x Placa de suporte
9. Bucha de plástico 6x Ø6 mm
10. Bucha de plástico 3x Ø10 mm
11. Parafuso de montagem na parede 3x 5,5x60
12. Parafuso de ligação da placa de suspensão 2x M5x35
13. Parafuso da placa de ligação da conduta 6x3,9x22
14. Parafusos da placa da chaminé 2x 3,5x9,5
15. Porcas cegas 2x 3,5x9,5
16. Adaptador de plástico (de quadrado a redondo)
17. Válvula anti-retorno
18. Defletor de ar
19. Adaptador de plástico (desviador de ar)

5 Instalação do aparelho

A informação necessária para fazer a localização adequada para a instalação do aparelho é indicada abaixo.

5.3. Instalação na parede

- A parede tem de ser plana, direita e ter capacidade de suporte suficiente.
- A profundidade dos furos de perfuração têm de estar de acordo com o comprimento dos parafusos.
- Os parafusos e as buchas fornecidos são adequados para paredes em tijolo. Para outros materiais de construção (por ex. placa de reboco, placa, betão poroso), devem ser usadas as buchas e porcas de fixação adequadas



(Figura 7)

CUIDADO

Antes de perfurar, assegurar que não existem tubos de alimentação, gás ou água nas proximidades dos locais de perfuração.

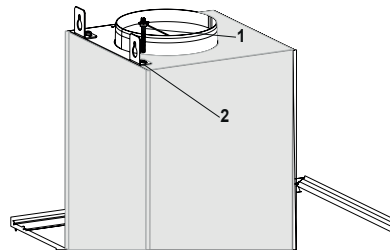
Desenhar uma linha ao meio da localização a partir da perpendicular do teto até ao rebordo inferior do exaustor ().

Fixar o esquema de montagem na parede. Para os pontos A e B considere as dimensões máximas do exaustor como referência e faça os orifícios A

e B que marcou com uma broca de Ø6 mm e tape com buchas plásticas de Ø6 mm. Fixar a placa de ligação da conduta à parede com 2 parafusos de 3,9x22 (Figura 8)

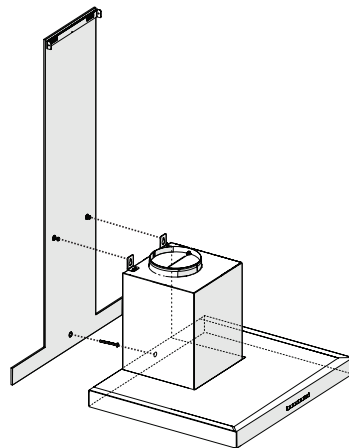
Para instalar a estrutura do exaustor, os pontos de perfuração C,D,E especificados no modelo de instalação perfurar com uma broca de Ø10mm e uma bucha plástica de Ø10mm nesses pontos (Figura 8).

Instalar 2 parafusos de suspensão da peça 5,5x60 nos pontos C e D com uma folga de 5 mm entre a cabeça do parafuso e a parede (Figura 8).



(Figura 8)

Instalar duas peças de placas de suspensão à estrutura do exaustor com parafusos de montagem M5x35 (Figura 9).



(Figura 9)

5 Instalação do aparelho

Segurar o exaustor do fogão na respetiva estrutura e colocar a mesma nos parafusos de suspensão na parede e apertar os parafusos (Figura 9).

Fixar o exaustor do fogão à parede com os parafusos de 5,5x60 através do furo de montagem no interior do aparelho (Figura 9).

5.4. Ligar a uma conduta de exaustão

Se vai usar um adaptador de conduta em plástico com \varnothing 120/150 mm, ligar uma das extremidades do tubo a este adaptador, se não o for usar, ligar o mesmo à saída direta no produto. Ligar a outra extremidade do tubo à sua conduta de exaustão. Verificar se estas duas ligações estão suficientemente fixadas de modo à que não saiam quando o exaustor está a funcionar com toda a potência. Verificar todas as abas dentro da conduta para operar quando as mesmas estão apertadas

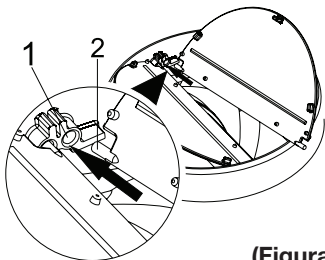
Com grampos. Ligar a conduta de ligação no exterior do adaptador (Figura 11/a) Se a conduta de ligação for encaixada dentro do adaptador, a sucção do ar não vai ocorrer dado que a aba da conduta que impede o retorno do ar mantém-se fechada. O comprimento da ligação do tubo bem como o número de cotovelos deve ser o mínimo possível.

A : Tubo de saída da conduta

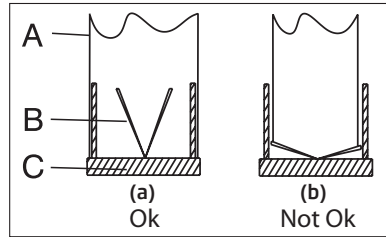
B: Abas de não retorno

C: Conduta de plástico

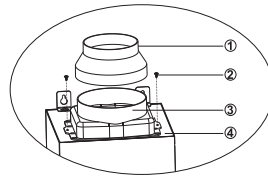
As válvulas são fechadas depois o aparelho não está a funcionar e impede a entrada de odor e poeira possivelmente existentes no exterior.



(Figura 10)



(Figura 11)

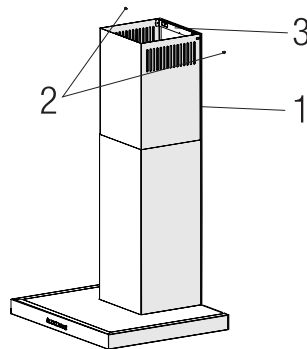


(Figura 12)

5.5 Instalação do exaustor à conduta

Fazer a ligação elétrica do seu exaustor antes de iniciar a instalação da conduta. Inserir as placas da conduta em torno da estrutura.

Fixar a placa da conduta à placa de fixação que está fixada na parede a partir do respetivo rebordo exterior superior (Figura 13).



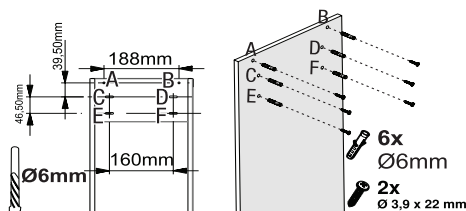
(Figura 13)

1. Conduta interior
2. Parafuso 3,5x9,5
3. Placa de ligação da conduta

5 Instalação do aparelho

5.6. Instalação do defletor de ar

Quando estiver a usar o filtro de carbono, o defletor de ar é fornecido com o seu aparelho com o objetivo de voltar a libertar o ar o qual é limpo com o filtro de carvão a partir do local perfurado na conduta. Montar o defletor de ar como se segue.



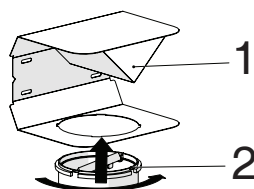
(Fig. 14)

Há uma guia no meio da placa de ligação da conduta. Colocar o ponto intermédio desta guia na linha que está desenhada na perpendicular da parede. Alinhar horizontalmente e marcar os furos onde a placa de ligação será montada através de uma esferográfica. (Figura 14 (A, B)).

Perfurar os pontos marcados com uma perfuração de Ø6mm e inserir as duas buchas em plástico nos furos feitos (Figura 14/A,B).

Fixar a placa de ligação da conduta à parede com parafusos de 3,9x22 (Figura 14/A,B).

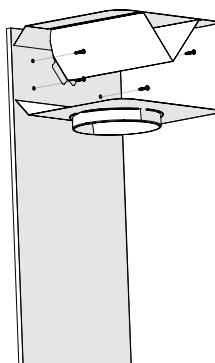
Para a montagem do defletor de ar, instalar o ponto C, D, E, F com furo de Ø6 mm e com buchas plásticas com Ø6mm (Figura 14).



(Fig. 15)

- 1- Defletor de ar
- 2- Conduta de plástico

Ligar o adaptador da conduta em plástico que está incluído na embalagem, na direção do defletor de ar. Fechar o adaptador da conduta rodando-o na direção da seta (Figura 15).

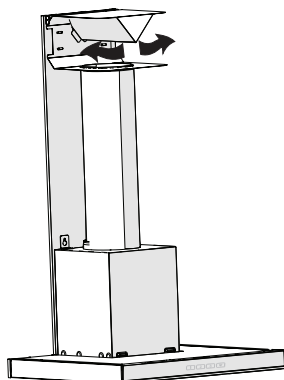


(Figura 16)

Montar o grupo do defletor de ar com parafusos de 3,9 x 22 a partir do ponto C, D, E, F que já preparou (Figura 14).

Montar a estrutura do exaustor (Página 12 / Figura 7).

5 Instalação do aparelho



(Fig. 17)

1- Tubo de saída de ar em alumínio
Fazer a ligação do conjunto do tubo de saída de ar (/ (Figura 17).



Uma vez que as torções e as curvas no tubo de alumínio levam a uma redução no poder de sucção de ar, evitá-las tanto quanto possível.

Instalar as placas da conduta do exaustor (Página 13/Figura 13).

6 Resolução de problemas

Resolução de problemas	Causa Origem	Ajuda
O aparelho não está a funcionar.	Verificar os fusíveis.	Os fusíveis podem ter reben-tado, inspecionar e restaurar.
O aparelho não está a funcionar.	Verificar a instalação elétrica.	A tensão de corrente elétrica deve estar entre 220 e 240 V.
O aparelho não está a funcionar.	Verificar a instalação elétrica.	Verificar se outro aparel-ho na sua cozinha está a funcionar.
A lâmpada de ilumi-nação não funciona	Verificar a instalação elétrica.	A tensão de corrente elétrica deve estar entre 220 e 240 V.
A lâmpada de ilumi-nação não funciona	Verificar o interruptor da lâmpada.	O interruptor da lâmpada deve estar na posição "ligado".
A lâmpada de ilumi-nação não funciona	Inspeccionar as lâmpadas.	As lâmpadas do aparelho devem acender.
A entrada de ar do aparelho é inade-quada.	Inspeccionar o filtro de alumínio.	Em circunstâncias normais, o filtro de óleo em alumínio deve ser limpo uma vez por mês no mínimo.
A entrada de ar do aparelho é inade-quada.	Verificar a conduta de saída de ar.	A conduta de saída de ar deve estar na posição "ligado".
A entrada de ar do aparelho é inade-quada.	Inspeccionar o filtro de carvão.	Nos filtros em que são utilizados filtros de carvão, o filtro de carvão deve ser substituído a cada 3 meses em condições normais.



**Contacte a assistência técnica:
707 014 192 / 215 557 319**

CONDIÇÕES DE GARANTIA - PORTUGAL

Este certificado cobre a garantia de reparação do seu eletrodoméstico por dois anos a contar da data de compra, contra defeitos de funcionamento provenientes do fabrico ou dos materiais; ou de substituição do dispositivo, a menos que uma dessas opções seja impossível ou desproporcionada em relação à outra. Quando detetar um defeito ou anomalia no aparelho entre imediatamente em contacto connosco, existe um prazo limite de dois meses para nos informar sobre a falta de conformidade. O valor da deslocação está incluído na reparação, com exceção de pequenos aparelhos que podem ser transportados para a oficina do serviço oficial da marca. Em caso de substituição, o período de garantia fica suspenso e o aparelho irá manter o prazo de validade do aparelho substituído e no mínimo 6 meses de garantia.

Esta garantia só será válida se a fatura, recibo de venda ou a entrega do produto em questão for posterior à data da fatura. Esta garantia é válida em território espanhol e português para aparelhos distribuído pela Beko Electronics Espanha S.L. A garantia só é válida para o primeiro comprador ou adquirente do produto. A garantia é válida para dispositivos adaptados às condições climáticas e ambientais em que se situam.

EXCLUSÕES DA GARANTIA

O custo da reparação será pago pelo utilizador nos seguintes casos:

- Aparelhos utilizados para uso profissional ou não exclusivamente doméstico, em estabelecimentos comerciais, industriais ou públicos.
- O equipamento desmontado ou adulterado por alguém que não seja expressamente autorizado pelos serviços técnicos.
- A instalação, transporte, substituição de equipamento, colocação em funcionamento, alteração do sentido das portas.
- Intervenções de manutenção ou informações sobre a utilização dos aparelhos.
- Alteração de injetores em aparelhos a gás.
- As avarias causadas pela falta de manutenção ou limpeza, ou aquelas causadas por um uso inadequado, sobrecarga, abandono ou de forma a não respeitar as instruções de uso ou instalação dos aparelhos.
- As avarias provocadas por causas acidentais, sinistros de força maior ou resultantes de instalação inadequada e em geral, avarias por razões não relacionadas com o produto.
- As avarias causadas por ligações que podem apresentar flutuações, irregularidades ou falta de uniformidade no fornecimento, por exemplo: abastecimento de água, impulsionado por pressão, energia solar, energia eólica, geradores de energia elétrica ou outro tipo de fornecimento não-padrão.
- Os materiais quebrados ou danificados por desgaste ou uso não normal do aparelho, ou consumíveis tais como: juntas, plásticos, borracha, correias, vidros, pincéis, lâmpadas, asas, puxadores, tampas de queimadores, filtros, grades, etc.
- Os aparelhos que apresentem oxidação, ou danos por corrosão em esmaltes ou tintas, que possam ter sido causados por efeitos químicos ou eletroquímicos da água ou de qualquer outra substância, ou aceleradas por circunstâncias ambientais ou climáticas não propícias.
- Defeitos estéticos em serigrafia ou pintura.
- Os danos causados por transporte ou manuseio, colisões, etc.
- Os aparelhos devem ser instalados de forma acessível em caso de reparação e o utilizador deve assumir os custos necessários para aceder ao aparelho para reparação e substituição.

As marcas BEKO, ALTUS, BLOMBERG, y GRUNDIG são distribuídas por Beko Electronics Espanha S.L.

DADOS DO APARELHO (a ser preenchido pelo Distribuidor):

Detentor:		Carimbo do estabelecimento:
Modelo:	N.º série:	
Estabelecimento:	Data de compra:	

O fiador e o importador do seu eletrodoméstico é: BEKO ELECTRONICS ESPAÑA S.L. Calle Provenza nº 388 3º Barcelona 08025, Espana. O produto foi fabricado por ARÇELIK A.S (Arçelik A.S.Sütluce Karaağaç Cad. No:2-6 34445 Beyoğlu, Istanbul, Turquia) ou o Arctic S.A. (210, 13 Decembrie St., 135200, Gaesti, Dambovitá, Romania.

Conheça-nos melhor na nossa página: www.beko.com Conserve este documento, é importante para si.

Citiți mai întâi acest manual de utilizare!

Stimați clienți,

Vă mulțumim că ați ales un produs BEKO. Am dori să obțineți eficiența optimă de la acest produs de înaltă calitate care a fost fabricat cu tehnologie de ultimă generație. Vă rugăm să citiți și să înțelegeți integral acest ghid și documentația suplimentară înainte de utilizare și să îl păstrați ca referință. Includeți acest ghid împreună cu unitatea dacă o predați altcuiva. Respectați toate avertismentele și informațiile din acest document și urmați instrucțiunile.

Rețineți că instrucțiunile din acest manual se pot aplica și altor modele de produse. Acest manual precizează cu exactitate toate modificările diferitelor modele.

Simboluri și semnificațiile lor

Aceste simboluri sunt utilizate în prezentul ghid:



Informații și recomandări importante privind utilizarea aparatului.



ATENȚIE: Avertismente privind vătămarea corporală sau daunele materiale.



Pericol de electrocutare,



Risc de incendiu.



Acest produs a fost conceput în fabrici moderne, care pun accent pe respectarea mediului, fără a deteriora natura.

În conformitate cu Regulamentul WEEE.



Nu este inclus niciun element din bifenil policlorurat.

1.1 Siguranță generală

Instrucțiuni importante cu privire la siguranță Citiți cu atenție și păstrați-le pentru consultare ulterioară. Această secțiune conține instrucțiuni privind siguranța, care vă vor proteja împotriva riscului de incendiu, electrocutare, expunere la scurgeri de microunde, vătămare corporală și pagube materiale. Nerespectarea acestor instrucțiuni atrage anularea garanțiilor acordate.

- Produsele de la Beko sunt conforme standardelor de siguranță aplicabile; din acest motiv, în caz de defecțiune a produsului sau a cablului de alimentare, acestea trebuie reparate sau înlocuite de distribuitor, un centru de service sau un service similar specializat și autorizat, pentru evitarea oricărui pericol. Lucrările de reparații greșite sau efectuate de persoane necalificate pot cauza pericole sau riscuri utilizatorului.
- Acest aparat este destinat pentru a fi utilizat în scop casnic și aplicații similare cum ar fi:
 - Bucătării pentru personalul din magazine, birouri sau alte medii de lucru;
 - Ferme
 - De către clienți în hoteluri, moteluri sau alte medii de tip rezidențial;
 - Medii de tip pensiune.
- Utilizați acest produs doar pentru uzul desemnat, așa cum este descris în acest manual.
- Producătorul nu își asumă răspunderea pentru daunele provocate de instalarea incorectă sau utilizarea greșită a produsului.
- Acest aparat poate fi utilizat de către copii cu vârsta minimă de 8 ani și de către persoanele cu capacități fizice, senzoriale sau mentale reduse sau lipsite de experiență și de cunoștințe, dacă aceștia au fost supravegheați sau instruiți cu privire la utilizarea produsului într-un mod sigur și dacă înțeleg pericolele implicate.
- Copiii nu trebuie să se joace cu aparatul. Operațiunile de curățare și întreținere nu trebuie să fie efectuate de către copii fără supraveghere.
- Distanța minimă dintre suprafețele de susținere pentru vasele de gătit de pe plită și partea cea mai joasă a hotei trebuie să fie de 65 cm.
- Dacă instrucțiunile de instalare a plitei cu gaz specifică distanțe mai mari decât cele de mai sus, se vor respecta instrucțiunile respective.
- Asigurați-vă că tensiunea de alimentare corespunde cu informațiile furnizate pe plăcuța cu date tehnice a produsului.
- Nu utilizați aparatul atunci când cablul de alimentare sau aparatul în sine este avariata.
- Nu strângeți, nu îndoiți și nu frecăți cablul de alimentare de margini tăioase, pentru a

preveni avarierea acestuia. Feriți cablul de alimentare de suprafețele fierbinți și focul deschis.

- Utilizați produsul doar cu o priză cu împământare.

AVERTISMENT: Nu conectați produsul la priza de alimentare înainte de finalizarea instalării.

- Amplasați aparatul astfel încât ștecherul să fie întotdeauna accesibil.
- Nu atingeți lămpile dacă au funcționat mult timp. Vă pot arde mâinile, deoarece vor fi fierbinți.
- Respectați reglementările stabilite de autoritățile competente privind evacuarea aerului rezidual (acest avertisment nu este valabil la utilizarea fără coșul de fum).
- Folosiți produsul după ce ați pus o oală, o tigaie etc. pe plită. În caz contrar, căldura ridicată poate cauza deformări în unele părți ale produsului.
- Opriti plita înainte de a lua oala, tigaia etc. de pe aceasta.
- Nu lăsați ulei fierbinte pe plită. Tigăile cu ulei fierbinte pot provoca auto-combustia.
- Fiți atenți la perdele și huse, deoarece uleiul poate lua foc în timp ce gătiți alimente cum ar fi cartofi prăjiți.
- Filtrul de grăsime trebuie înlocuit cel puțin lunar. Filtrul de carbon trebuie înlocuit cel puțin o dată la 3 luni.

- Produsul trebuie curățat conform manualului de utilizare. În cazul în care curățarea nu a fost efectuată conform manualului de utilizare, există risc de incendiu.
- Nu folosiți materiale de filtrare care nu sunt rezistente la foc, în locul filtrului actual.
- Utilizați doar componentele originale sau componentele recomandate de către producător.
- Nu folosiți produsul fără filtru și nu scoateți filtrele în timp ce produsul funcționează.
- În cazul în care se produce o flacără, opriți alimentarea produsului și aparatele de gătit.
- În cazul în care se produce o flacără, acoperiți flacăra și nu utilizați apă pentru stingere.
- Înainte de fiecare curățare și atunci când produsul nu este folosit, scoateți-l din priză.
- Presiunea negativă în mediu nu trebuie să depășească 4 Pa (4 x 10 bari), în timp ce hota pentru plita electrică și aparatele care funcționează cu un alt tip de energie decât electricitatea funcționează simultan.
- În mediul în care este folosit produsul, evacuarea dispozitivelor care funcționează pe combustibil lichid sau motorină, cum ar fi radiatorul, trebuie să fie complet izolată sau dispozitivul trebuie să fie de tip ermetic.
- La conectarea coșului de evacuare, folosiți țevi cu diametrul de 120 sau 150 mm.

1 Instrucțiuni importante referitoare la siguranță și mediul înconjurător

Racordul țevilor trebuie să fie cât mai scurt posibil și să aibă cât mai puține coturi.

Pericol de sufocare! Păstrați materialele de ambalare la loc inaccesibil copiilor.

ATENȚIE: În timpul utilizării cu aparate de gătit, piesele accesibile se pot încinge.

- Evacuarea hotei nu trebuie să fie conectată la canalele de aer care includ alte tipuri de fum.
- Ventilația în cameră poate fi insuficientă atunci când hota pentru plita electrică este folosită simultan cu dispozitive care funcționează cu gaz sau alți combustibili (nu se aplică neapărat în cazul aparatelor care doar evacuează aerul înapoi în cameră).
- Obiectele plasate pe produs pot să cadă. Nu amplasați nici un obiect pe aparat.
- Nu flambați alimente sub produs.

AVERTISMENT: Îndepărtați foliile de protecție înainte de a instala hota.

- Nu lăsați niciodată focul deschis la intensitate mare sub hotă când aceasta funcționează.
- Friteuzele trebuie supravegheate permanent în timpul folosirii: uleiul supraîncălzit se poate aprinde.

1.2 Conformitate cu Directiva DEEE și eliminarea deșeurilor:

Acest produs este conform cu Directiva DEEE a UE (2012/19/EU). Acest produs poartă un

simbol

pentru deșeurile de echipamente electrice (DEEE).



Acest simbol indică faptul că acest produs nu trebuie eliminat împreună cu alte deșeurile menajere la sfârșitul duratei sale de utilizare.

Dispozitivul uzat trebuie returnat

către un punct oficial de colectare pentru reciclarea dispozitivelor electrice și electronice. Pentru a găsi aceste sisteme de colectare contactați autoritățile locale sau distribuitorul de la care a fost achiziționat produsul. Fiecare gospodărie are un rol important în recuperarea și reciclarea electrocasnicelor vechi. Eliminarea corespunzătoare a electrocasnicelor uzate ajută la prevenirea posibilelor consecințe negative pentru mediu și sănătatea umană.

1.3 Conformitatea cu Directiva RoHS

Produsul pe care l-ați achiziționat este conform cu Directiva RoHS UE (2011/65/UE). Produsul nu conține

materiale dăunătoare sau interzise specificate în Directivă.

1.4 Informații despre ambalaj

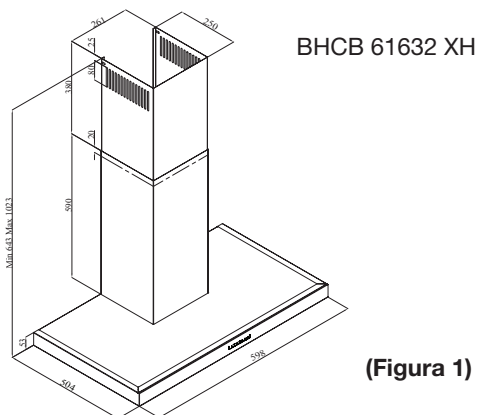


Ambalajul produsului este fabricat din materiale reciclabile, în conformitate cu reglementările naționale de mediu. Nu eliminați ambalajul împreună

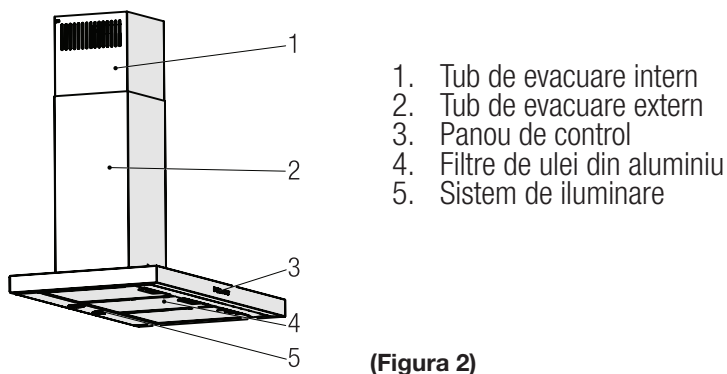
ună cu deșeurile menajere sau de alt tip. Transportați-le la punctele de colectare a ambalajelor desemnate de către autoritățile locale.

2 Aspect general

2.1 Prezentare generală



(Figura 1)



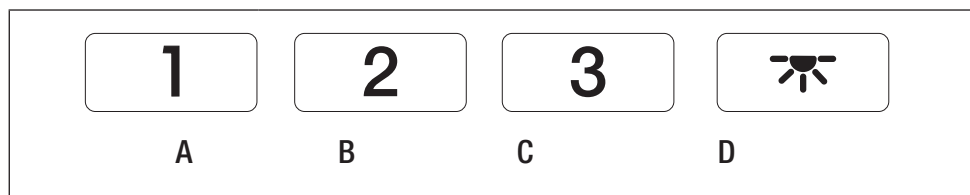
(Figura 2)

2.2 Date tehnice

Model	BHCB 61632 XH
Tensiune alimentare	220-240V ~ 50 Hz
Alimentare lampă (W)	2 x 3 W
Putere motor (W)	210 W
Debit (m ³ /h) – 3. Nivel	612 m ³ /h
Clasa de izolație motor	Clasa F
Clasa de izolație	Clasa I

3 Funcționarea aparatului

3.1 Controlul aparatului



CHEIE	FUNCȚIE
(A): 1. Buton treaptă	Acționați aparatul la viteza 1. Când apăsați din nou acest buton pentru a opri aparatul, etapa de viteză a ecranului se oprește.
(B): 2. Buton treaptă	Acționați aparatul la viteza 2. Când apăsați din nou acest buton pentru a opri aparatul, etapa de viteză a ecranului se oprește.
(C): Buton treaptă 3	Acționați aparatul la viteza 3. Când apăsați din nou acest buton pentru a opri aparatul, etapa de viteză a ecranului se oprește.
(D): Lumină On / Off	Puteți ilumina zona de gătit apăsând acest buton. Apăsați din nou acest buton pentru a stinge becul.

3.2 Funcționarea eficientă din punct de vedere energetic în termeni de economisire

Folosire

- Când folosiți hota, ajustați setările de viteză conform vaporilor și intensității mirosului, pentru a economisi energie.
- Folosiți viteze mici (1-2) în condiții normale și viteze mari (3) pentru mirosuri intense și vapori.
- * Lămpile de pe hotă sunt plasate pentru iluminarea zonei de gătit.

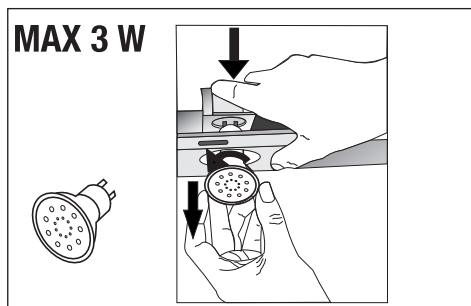
Folosirea lor pentru lumina ambientală va produce consul de energie inutil și lumină insuficientă.

3.3 Instrucțiuni de utilizare

- Hota dvs. conține un motor care are viteze diferite.
- Pentru o performanță mai bună, vă recomandăm să utilizați viteze reduse în condiții normale și viteze mari în caz de mirosuri puternice și vapori intensi.
- Puteți porni aparatul apăsând butonul de setare a vitezei dorit. (A, B, C)
- Puteți ilumina zona de gătit apăsând lampa (D).


3 Funcționarea aparatului

3.5 Înlocuirea becului

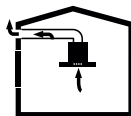


(Figura 3)

Efectuați conexiunile electrice ale aparatului. Aparatul dvs. utilizează un bec LED spot de 3W. Pentru înlocuirea becurilor, apăsați în jos suportul din spate, răsuțiți-l puțin în sensul antiorar și scoateți-l trăgându-l în jos. Aplicați operațiunea de mai sus în sens invers pentru a instala becuri noi (Figura 3).

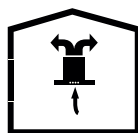
Bec	
Putere Bec (W)	3
Suport / priză	GZ 10
Tensiune bec (V)	220 - 240
Dimensiune (mm)	53 x 50
Cod ILCOS	DR/F3-220-240-GZ10-50-53

3.6 Funcționare cu racordare la tubul de evacuare



- Vaporii sunt extrași prin conducta de evacuare, care este fixată pe capul de conectare de pe hotă.
- Diametrul conductei de evacuare trebuie să fie același cu cel al inelului de conectare. În setări orizontale, țeava trebuie să aibă o ușoară pantă ascendentă (aproximativ 10°), astfel încât aerul să poată ieși cu ușurință din cameră.

3.7 Funcționare fără racordare la tubul de evacuare



- Aerul este filtrat prin filtrul de carbon și recirculat în cameră. Filtrul de carbon este utilizat atunci când este imposibil de utilizat un tub în casă.
- În cazul utilizării fără tub de evacuare, îndepărtați clapetele din interiorul adaptorului pentru tubul de evacuare.
- Scoateți filtrul de ulei. Pentru a instala filtrul de carbon, montați filtrul pe clapete centrându-l pe piesa din plastic de pe ambele părți ale corpului ventilatorului. Strângeți-l prin rotirea spre dreapta sau spre stânga.
- Înlocuiți filtrul de ulei de aluminiu.

4 Curățarea și întreținerea



Înainte de curățare și întreținere, deconectați produsul sau opriți întrerupătorul.



De asemenea, puteți spăla filtrele de ulei din aluminiu în mașina de spălat.

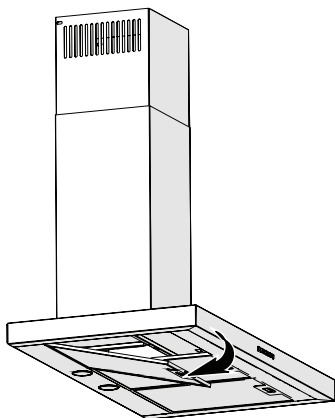
4.1 Curățarea filtrelor de ulei de aluminiu

Filtrul de ulei din aluminiu este utilizat pentru a reține particulele de ulei din aer. Filtrele de aluminiu își pot schimba culoarea după curățarea repetată. Acest lucru este normal și filtrele nu trebuie înlocuite.



ATENȚIE

În caz de utilizare normală, curățați filtrul de ulei din aluminiu o dată pe lună.

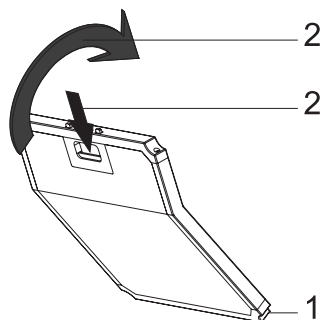


(Figura 4)

- Împingeți înainte blocarea filtrului de ulei din aluminiu.
- Apoi trageți-l ușor în jos și trageți-l afară (Figura 4). În caz contrar, puteți îndoi filtrul. Spălați și clătiți filtrele de ulei din aluminiu cu detergent lichid înlocuind filtrele de ulei din aluminiu, efectuând pașii specificați mai sus în ordine inversă. Aceste filtre de ulei din aluminiu sunt utilizate pentru a reține particulele de ulei din aer.

4 Curățarea și întreținerea

4.2 Înlocuirea filtrelor de carbon



(Fig. 5)

Dispozitivul pe care l-ați achiziționat este potrivit pentru utilizarea cu filtre de carbon.

- Îndepărtați filtrele de ulei din aluminiu (Figura 4).
- Puneți partea inferioară a filtrului de carbon în carcasa motorului (Figura 5).
- Apăsăți butonul filtrului de carbon înainte și asigurați-vă că butoanele filtrului de carbon sunt conectate și blocate. (Figura 5).
- Atașați filtrele de ulei de aluminiu.



ATENȚIE

Filtrul de carbon nu trebuie spălat niciodată.



ATENȚIE

Înlocuiți filtrele de carbon o dată la 3 luni.



ATENȚIE

Puteți obține filtrul de carbon de la vânzătorii autorizați.

5 Instalarea aparatului



AVERTISMENT!

Înainte de a începe instalarea, citiți informațiile de siguranță din Manualul utilizatorului.



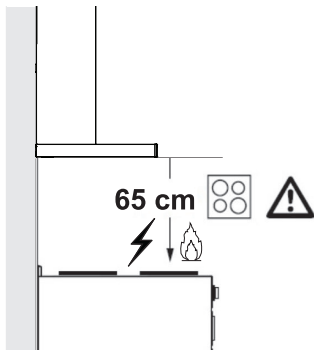
AVERTISMENT!

Neinstalarea cu șuruburi și stabilizatori în conformitate cu aceste instrucțiuni poate duce la electrocutare.

Pentru instalarea hotei, vă rugăm să contactați cel mai apropiat serviciu autorizat.

Este responsabilitatea clientului să pregătească locația și instalarea electrică a hotei.

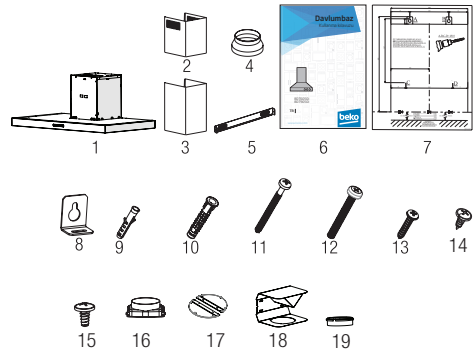
5.1 Poziția aparatului



(Figura 6)

- Distanța dintre aragaz și hotă trebuie luată în considerare înainte de asamblare. Această distanță trebuie să fie de 65 cm (Figura 6).
- Distanța trebuie măsurată de la suprafața grătarului pentru aragazuri pe gaz,
- de la suprafața sticlei pentru aragazuri electrice.

5.2 Accesorii de instalare



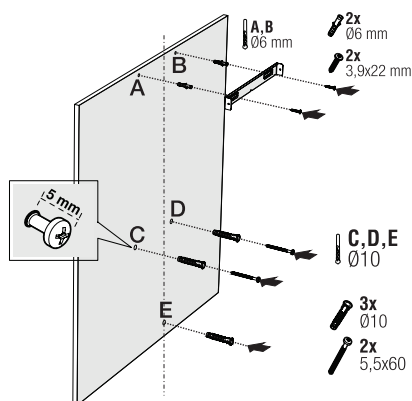
1. Produsul
2. Tub de evacuare intern
3. Tub de evacuare extern
4. Adaptor tub de evacuare Ø150/120 mm
5. Placă de conexiune tub evacuare
6. Manual de utilizare
7. Schema de instalare
8. 6x Plăci de agățare a produsului
9. 6x dibluri din plastic Ø 6 mm
10. 3x dibluri din plastic Ø 10 mm
11. 3x șuruburi de montare pe perete 5,5x60
12. 2x M5x35 Șuruburi de conexiune placă de agățare
13. 6x șuruburi pentru placa de conexiune tub evacuare 3.9x22
14. 2x 3.5x9.5 Șurub guseu coș
15. 2x 3,5X9,5 Șurub orb
16. Adaptor din material plastic (de la pătrat la rotund)
17. Supapă de reținere
18. Deflector ventilație
19. Adaptor din material plastic (Derivator aer)

5 Instalarea aparatului

Informațiile necesare pentru a alege locul adecvat pentru instalarea hotei sunt prezentate mai jos.

5.3 Montare pe perete

- Peretele trebuie să fie plat, drept și să aibă o capacitate suficientă de încărcare.
- Adâncimea găurilor trebuie să corespundă cu lungimea șururilor.
- Șururile și diblurile furnizate sunt potrivite pentru pereți din cărămidă. Pentru alte materiale de construcții (de exemplu, gips carton, placă, beton poros), se folosesc dibluri și piulițe de fixare adecvate.



(Figura 7)

ATENȚIE

Înainte de găurire, asigurați-vă că nu există conducte de alimentare, gaz sau apă, în imediata apropiere a locațiilor de găurire.

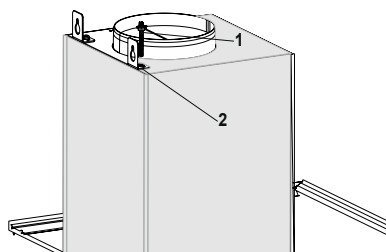
Desenați o linie de mijloc din tavan perpendiculară pe marginea inferioară a hotei ().

Fixați sistemul de asamblare pe perete. Pentru punctele A și B, luați ca referință dimensiunile maxime ale hotei și găuriți punctele A și B pe care le-ați marcat cu un burghiu de Ø6mm și loviți fișele de perete din plastic de Ø6mm. In-

stalați placa de conexiune a tubului de conectare pe perete cu 2 bucăți de șuruburi 3.9x22 (Figura 8).

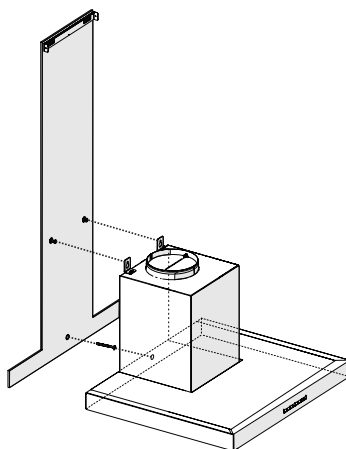
Pentru a instala corpul hotei, găuriți punctele C,D,E specificate în șablonul de instalare cu un burghiu de Ø10mm și loviți diblurile din plastic de Ø10mm în aceste puncte (Figura 8).

Instalați 2 bucăți de șuruburi de montare 5.5x60 în punctele C și D, cu un spațiu de 5 mm între capul șurubului și perete (Figura 8).



(Figura 8)

Instalați două plăci agățare pe corpul hotei cu șuruburi de montare M5x35 (Figura 8).



(Figura 9)

5 Instalarea aparatului

Țineți hota de corpul său și puneți-o pe șuruburile de suspendare de pe perete și strângeți șuruburile (Figura 9).

Fixați hota cu un șurub de 5,5x60 pe perete prin orificiile de montare din interiorul aparatului (Figura 9).

5.4 Conectarea la tubul de evacuare

Dacă aveți de gând să utilizați adaptorul din plastic pentru tubul de evacuare Ø 120/150 mm, conectați un capăt al țevii la acest adaptor, dacă nu aveți de gând să-l utilizați, conectați-l la conducta de evacuare directă a produsului. Conectați celălalt capăt al țevii la tubul de evacuare. Verificați dacă aceste două conexiuni sunt suficient de strânse pentru a nu ieși atunci când aparatul funcționează la putere maximă. Verificați dacă clapetele din interiorul tubului de evacuare funcționează atunci când sunt strânse

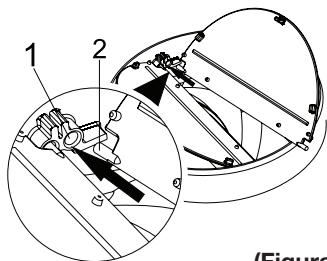
cu cleme. Conectați conducta de conectare a tubului în afara adaptorului (Figura 11/a). Dacă conducta de conectare este montată în interiorul adaptorului, aspirația aerului nu trebuie să aibă loc, deoarece clapeta tubului care împiedică revenirea aerului va rămâne închisă (Figura 11/b). Lungimea conductei de conectare, precum și numărul de coturi trebuie să fie cât mai mici posibil.

A: Țeavă de ieșire a tubului de evacuare

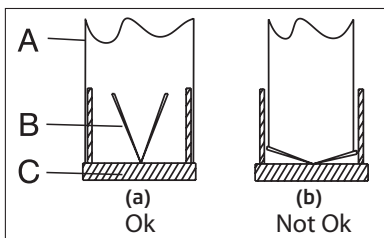
B: Clapete de reținere

C: Tub de evacuare din plastic

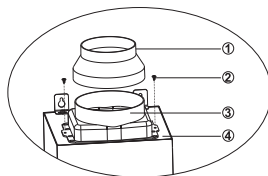
Supapele sunt închise, apoi aparatul nu funcționează și împiedică pătrunderea în interior a mirosurilor și prafului din exterior.



(Figura 10)



(Figura 11)

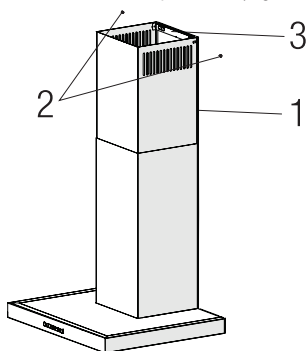


(Figura 12)

5.5 Instalarea hotei la tubul de evacuare

Realizați conexiunea electrică a hotei înainte de a începe instalarea tubului de evacuare. Glisați plăcile tubului de evacuare în jurul corpului.

Instalați placa tubului de evacuare pe placa de fixare a tubului care este fixată pe perete de la marginile sale exterioare superioare (Figura 13).



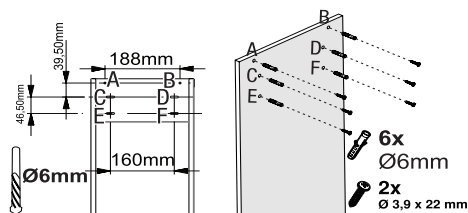
(Figura 13)

1. Tub de evacuare intern
2. Șurub 3.5x9.5
3. Placă de conexiune tub evacuare

5 Instalarea aparatului

5.6 Instalarea deflectorului de aer

În timpul utilizării cu filtrul de carbon, aparatul este dotat cu deflector de aer cu scopul de a elibera din nou aerul care este curățat cu filtru de carbon din orificiul perforat situat pe tub. Asamblați deflectorul de aer urmând instrucțiunile menționate mai jos.



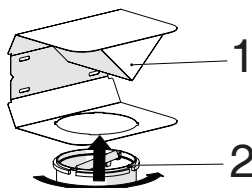
(Fig. 14)

Există o filă în mijlocul placă de conexiune tub evacuare. Amplasați punctul de mijloc al acestei file pe linia pe care este trasată perpendicular pe perete. Aliniați orizontal și marcați cu un pix găurile în care va fi montată placa de conectare (Figura 14 / A, B).

Găuriți punctele marcate cu burghiu de Ø6mm și introduceți două dibluri de plastic Ø6mm în găurile perforate (Figura 14 / A, B).

Fixați placa de conexiune a tubului de conectare pe perete cu șuruburi 3.9x22 (Figura 14 / A, B).

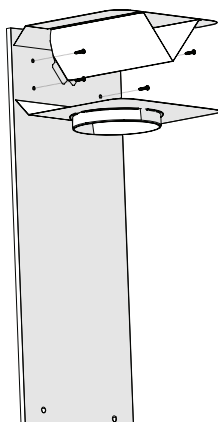
Pentru asamblarea deflectorului de aer, instalați punctele C, D, E, F cu burghiu de Ø6mm și dibluri din plastic Ø6mm (Figura 14).



(Fig. 15)

- 1- Deflector de aer
- 2- Tub de evacuare din plastic

Atașați adaptorul de tub din plastic, care este inclus în pachet, în direcția deflectorului de aer. Blocați adaptorul tubului rotindu-l în direcția săgeții (Figura 15).

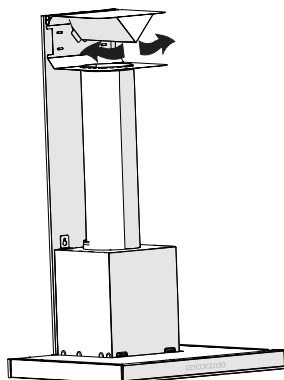


(Figura 16)

Asamblați grupul deflectorului de aer cu șuruburi 3,9 x 22 din punctele C, D, E, F pe care le-ați pregătit deja (Figura 14).

Asamblați corpul hoteli (pagina 12 / Figura 7).

5 Instalarea aparatului



(Fig. 17)

1- Țeavă de evacuare a aerului din aluminiu
Asigurați asamblarea conductei de evacuare a aerului (Figura 17).



Din moment ce răsucirea și îndoirea țevii de aluminiu va duce la reducerea puterii de aspirație a aerului, evitați să îndoiți sau să răsuciți țeava.

Instalați plăcile de tub ale hotei (pagina 13 - Figura 13)

6 Eliminarea defecțiunilor

Eliminarea defecțiunilor	Cauză principală	Ajutor
Aparatul nu funcționează.	Verificați siguranțele	Siguranța poate fi arsă, inspectați-o și restabiliți-o.
Aparatul nu funcționează.	Verificați conexiunea electrică.	Tensiunea rețelei trebuie să fie cuprinsă între 220 și 240 V.
Aparatul nu funcționează.	Verificați conexiunea electrică.	Verificați dacă alte aparate din bucătărie funcționează.
Lampa de iluminat nu funcționează.	Verificați conexiunea electrică.	Tensiunea rețelei trebuie să fie cuprinsă între 220 și 240 V.
Lampa de iluminat nu funcționează.	Inspectați comutatorul lămpii.	Înterupătorul lămpii trebuie să fie în poziția „on” (pornit).
Lampa de iluminat nu funcționează.	Inspectați becurile.	Lămpile aparatului se aprind.
Admisia de aer a aparatului este inadecvată.	Inspectați filtrul din aluminiu.	În condiții normale de funcționare, filtrul de ulei din aluminiu trebuie curățat cel puțin o dată pe lună.
Admisia de aer a aparatului este inadecvată.	Verificați tubul de evacuare a aerului.	Tubul de evacuare a aerului trebuie să fie în poziția „on” (pornit).
Admisia de aer a aparatului este inadecvată.	Inspectați filtrul de carbon.	Filtrele aparatelor cu filtre de carbon se înlocuiesc o dată la 3 luni, în condiții normale.



CERTIFICAT DE GARANȚIE

Tensiune de alimentare/frecvență: 220-240V~, 50-60Hz

Importator: ARCTIC S.A., Găești, Dâmbovița, str. 13 Decembrie nr. 210, email: office@arctic.ro

TIP: Aragaz Cuptor încorporabil Plită încorporabilă Hotă

Model / Serie:

VÂNZĂTOR

Nr. factură: Data:

Vânzător (firma, localitatea):

CUMPĂRĂTOR

Nume Localitatea

Str. Nr. Bloc Sc. Et Ap.

Județ Telefon E-mail

S-a efectuat proba de funcționare a aparatului, s-a prezentat modul de folosire, s-au predat instrucțiunile de utilizare și toate accesoriile. Am primit aparatul în perfectă stare de funcționare.

Stimați clienți,

La cumpărare vă recomandăm să solicitați efectuarea probei de funcționare și să verificați existența instrucțiunilor de utilizare și a accesoriilor.

Pentru a putea beneficia de toate avantajele produselor și serviciilor noastre vă rugăm:

- să citiți cu atenție și să respectați recomandările prezentate în "Instrucțiunile de utilizare".
- să păstrați cu grijă acest certificat pentru a-l putea prezenta (împună cu documentul fiscal de achiziție), personalului SERVICE, la orice sesizare efectuată în perioada de garanție.

Vă mulțumim că ați optat pentru cumpărarea unui produs Beko!

Durata medie de utilizare a produsului este de 10 ani!

Perioada de garanție legală de conformitate este de 2 ani de la intrarea produsului în posesia consumatorului.

Art. 22, alin. 3-6, din L449/2003, modificata de OG 9/2016:

- (3) Timpul de nefuncționare din cauza lipsei de conformitate apărute în cadrul termenului de garanție prelungește termenul de garanție legală de conformitate și cel al garanției comerciale și curge, după caz, din momentul la care a fost adusă la cunoștința vânzătorului lipsa de conformitate a produsului sau din momentul prezentării produsului la vânzător/unitatea service până la aducerea produsului în stare de utilizare normală și, respectiv, al notificării în scris în vederea ridicării produsului sau predării efective a produsului către consumator.
- (4) Produsele de folosință îndelungată care înlocuiesc produsele defecte în cadrul termenului de garanție vor beneficia de un nou termen de garanție care curge de la data preschimbării produsului.
- (5) Produsele de folosință îndelungată defectate în termenul de garanție legală de conformitate, atunci când nu pot fi reparate sau când durata cumulată de nefuncționare din cauza deficiențelor apărute în termenul de garanție legală de conformitate depășește 10% din durata acestui termen, la cererea consumatorului, vor fi înlocuite de vânzător sau acesta va restitui consumatorului contravaloarea produsului respectiv.
- (6) Termenul de garanție curge de la data intrării bunului respectiv în posesia consumatorului, inclusiv pentru bunurile noi de folosință îndelungată, obținute prin tragere la sorți la tombole, câștigate la concursuri și similare sau acordate cu reducere de preț ori gratuit de către operatorii economici.

Garanția oferită de producător nu exclude garanția de viciu ascuns, conform OG 21/1992 (R2) privind protecția consumatorului și Codul Civil.



Service-ul acestui produs este asigurat de ARCTIC S.A. cu sediul în Găești, Dâmbovița, str. 13 Decembrie nr. 210. • *9010 • www.arctic.ro • www.beko.ro • e-mail: service@beko.ro
Program Call Center: Luni - Vineri 08:30 - 20:00; Sâmbătă 08:30 - 17:00

UNITĂȚILE SERVICE ALE ARCTIC S.A. EXECUTĂ REPARAȚII ÎN TERMENUL DE GARANȚIE ȘI ÎN AFARA ACESTUIA

Nr. crt.	Data Reclamației	Data primirii în reparație	Reparat			Reparația curentă și/sau componenta înlocuită	Prelungirea termenului de garanție	Efectuarea verificării	
			Programat	Data ridicării aparatului	Cauza întârzierii			SERVICE	CLIENT

CONDITII DE GARANȚIE LEGALĂ DE CONFORMITATE ȘI GARANȚIE COMERCIALĂ:

Pentru orice defecțiune apărută în perioada de garanție sau post-garanție, apălați la magazinul de unde a fost achiziționat produsul sau direct la Call Center Arctic.

Prelungirea termenului de garanție se va înscrice în certificatul de garanție de către unitatea SERVICE care a efectuat reparația.

Garanția acoperă repararea și/sau înlocuirea pieselor constatate ca defecte (necauzate de consumator) de către tehnicienii Service.

Termenul de realizare a operațiilor de reparare, înlocuire sau întreținere este de 15 zile calendaristice de la data la care cumpărătorul a sesizat defecțiunea la magazinul de unde a achiziționat produsul sau direct la Call Center Arctic.

Reclamațiile referitoare la aspectele prevăzute mai jos, se rezolvă numai contra cost:

- a) nefuncționarea lămpilor de iluminare;
- b) accesoriile care nu au defecte ascunse de material constatate de tehnicienii Service;
- c) piesele și accesoriile care prezintă lovituri, zgărieturi, spărturi sau deformări.

PRODUSUL NU BENEFICIAZĂ DE GARANȚIE LEGALĂ DE CONFORMITATE ȘI DE GARANȚIE COMERCIALĂ ÎN URMĂTOARELE CAZURI:

1. Nu au fost respectate instrucțiunile de transport, manipulare, instalare, utilizare și întreținere prescrite.
2. Subsansamblurile și accesoriile casabile care se deteriorează în timpul transportului vor fi înlocuite de vânzător (în cazul în care asigură transportul).
3. Garanția nu se acordă subsansamblurilor și accesoriilor casabile ale produselor care suferă deteriorări din vina consumatorului.
4. Tensiunea de alimentare are valori care nu se încadrează în limitele prevăzute de standarde (SREN 50160).
5. Instalația electrică a utilizatorului prezintă improvizații sau neconformități.
6. Produsul a fost folosit în alte scopuri decât cel pentru care a fost proiectat.
7. Produsul a suportat intervenții (reparații, modificări) din partea unor persoane neautorizate de producător.

Drepturile consumatorului sunt cele prevăzute în Legea 449/2003 (republicată) și OG 21/1992 (republicată).

Ju lutemi lexoni në fillim këtë udhëzues!

I dashur klient,

Faleminderit që keni zgjedhur një produkt BEKO. Ne duam që të arrini efikasitetin maksimal nga ky produkt i cilësisë së lartë i cili është prodhuar me një teknologji të përparuar. Ju lutemi që para se ta përdorni këtë pajisje, ta lexoni dhe ta kuptoni plotësisht këtë udhëzues dhe dokumentet shoqëruese dhe t'i ruani për t'iu referuar në të ardhmen. Nëse ia jepni këtë pajisje dikujt tjetër, jepini edhe këtë udhëzues bashkë me pajisjen. Kushtojuni vëmendje të gjitha paralajmërimeve dhe informacioneve që ndodhen në këtë manual dhe ndiqni udhëzimet.

Mos harroni se ky udhëzues përdorimi mund të jetë i vlefshëm për disa modele të produktit. Udhëzuesi tregon në mënyrë të qartë çdo ndryshim të modeleve të ndryshme.

Simbolet dhe kuptimi i tyre

Gjatë gjithë këtij udhëzuesi janë përdorur këto simbole:



Informacione të rëndësishme dhe rekomandime për përdorimin e pajisjes.



KUJDES: Paralajmërime për lëndime personale ose dëme ndaj pronës.



Paralajmërim për goditje elektrike,



Paralajmërim për rrezik zjarri.



Ky produkt është prodhuar në struktura moderne që respektojnë mjedisin pa e dëmtuar natyrën.

1.1 Siguria e përgjithshme

Udhëzime të rëndësishme për sigurinë. Lexojini me kujdes dhe mbajini për referencë në të ardhmen. Në këtë pjesë përfshihen udhëzimet për sigurinë që do t'ju ndihmojnë të mbroheni nga rreziku i zjarrit, goditjes elektrike, ekspozimit ndaj rrjedhjeve të energjisë së mikrovalëve, lëndimeve personale ose dëmtimeve të pronës. Mosrespektimi i këtyre udhëzimeve do ta bëjë të pavlefshme garancinë.

- Produktet Beko janë në përputhje me standardet përkatëse të sigurisë, për këtë arsye, në rast dëmtimi të pajisjes ose të kabllos elektrike, ajo duhet të riparohet ose të zëvendësohet nga shitësi, qendra e shërbimit ose një specialist dhe shërbim i autorizuar i ngjashëm për të shmangur çdo rrezik. Riparimet e gabuara ose të pakualifikuara mund të jenë të rrezikshme dhe të shkaktojnë rrezik për përdoruesin.
- Kjo pajisje është planifikuar të përdoret në shtëpi dhe në aktivitete të ngjashme si p.sh.:
 - Zonat e kuzhinës së personelit në dyqane, zyra dhe ambiente të tjera pune;
 - Shtëpi në ferma
 - Nga klientët në hotele dhe ambiente të tjera banimi;
 - Ambiente të tipit të moteleve.
- Përdoreni këtë pajisje vetëm për qëllimin e planifikuar siç përshkruhet në këtë manual.
- Prodhuesi nuk mund të mbajë përgjegjësi për dëmtimet që shkaktohen nga instalimi i gabuar ose keqpërdorimi i produktit.
- Kjo pajisje mund të përdoret nga fëmijë të moshës 8 vjeç e lart dhe personat me aftësi më të ulëta fizike, ndjesore ose mendore ose me mungesë përvoja dhe njohurish nëse u janë dhënë udhëzime ose janë monitoruar në lidhje me përdorimin e pajisjes në një mënyrë të sigurt dhe i kuptojnë rreziqet që përfshihen.
- Fëmijët nuk duhet të lejohen që të luajnë me pajisjen. Pastrimi dhe mirëmbajtja e përdoruesit nuk duhet bërë nga fëmijë pa mbikëqyrje.
- Distanca minimale mes sipërfaqes mbështetëse për enët e gatimit në vatrën e gatimit dhe pjesës më të poshtme të produktit tuaj duhet të jetë të paktën 65 cm.
- Nëse udhëzimet për instalimin për vatrën e gazit specifikojnë një distancë më të madhe, kjo duhet të merret parasysh.
- Sigurohuni që furnizimi me energji nga rrjeti elektrik është në përputhje me informacionet e dhëna në tabelën e karakteristikave të pajisjes.
- Mos e përdorni asnjëherë pajisjen nëse kabloja elektrike ose vetë pajisja është e dëmtuar.
- Parandaloni dëmtimin e kabllos elektrike duke mos e shtypur, përkulur ose prekur në

cepa të mprehtë. Mbajeni kabllon elektrike larg nga sipërfaqet e nxehta dhe flakët e pambrojtura.

- Përdoreni pajisjen vetëm me një prizë me tokëzim.

PARALAJMËRIM: Mos e lidhni pajisjen me rrjetin elektrik deri sa instalimi të ketë përfunduar plotësisht.

- Vendoseni pajisjen në një mënyrë të tillë që spina të jetë gjithmonë lehtësisht e arritshme.
- Mos i prekni llambat nëse janë përdorur për një kohë të gjatë. Ato mund t'ju dëgjin duart nëse nxehen.
- Ndiqni rregullat e përcaktuara nga autoritetet kompetente për shkarkimin e ajrit të papastër (ky paralajmërim nuk është i vlefshëm për përdorim pa tuba).
- Përdoreni pajisjen pasi të vendosni një tenxhere, tigan etj. në vatrën e gatimit. Në rast të kundërt, nxehtësia e lartë mund të shkaktojë deformime në disa pjesë të produktit tuaj.
- Fikeni vatrën e gatimit para se ta hiqni tenxheren, tiganin etj. nga ajo.
- Mos lini vaj të nxehtë që vatrën e gatimit. Tiganët me vaj të nxehtë mund të marrin zjarr.
- Tregoni kujdes ndaj perdeve dhe mbulesave pasi vaji mund të marrë zjarr gjatë gatimit të ushqimeve si p.sh. patateve të skuqura.
- Filtri i yndyrës duhet të ndërrohet të paktën

çdo muaj. Filtri i karbonit duhet të ndërrohet të paktën çdo 3 muaj.

- Produkti duhet të pastrohet në përputhje me manualin e përdorimit. Nëse pastrimi nuk kryhet në përputhje me manualin e përdorimit, ekziston rreziku i zjarrit.
- Mos përdorni materiale filtrimi që nuk janë rezistente ndaj zjarrit në vend të filtrit aktual.
- Përdorni vetëm pjesë origjinale ose pjesë të rekomanduara nga prodhuesi.
- Mos e përdorni produktin pa filtrin dhe mos i hiqni filtrat kur produkti është në përdorim.
- Në rast se ndizen flakë, shkëputeni produktin nga rrjeti elektrik dhe pajisjet e gatimit.
- Në rast se ndizen flakë, mbulojini flakët dhe mos përdorni asnjëherë ujë për fikjen e tyre.
- Hiqeni pajisjen nga priza para pastrimit dhe kur pajisja nuk është në përdorim.
- Presioni negativ në ambient nuk duhet të kalojë 4 Pa (4 x 10 bar) kur përdoren njëkohësisht aspiratori për vatrën elektrike dhe pajisje që funksionojnë me një lloj tjetër energjie.
- Në ambientin ku përdoret pajisja, ajri i shkarkimit i pajisjeve që punojnë me karburant ose gaz, si p.sh. ngrohësit e dhomës, duhet të izolohet në mënyrë absolute ose pajisja duhet të jetë e tipit

hermetik.

- Kur lidhni tubat, përdorni tuba me diametër 120 ose 150 mm. Lidhja e tubave duhet të jetë sa më e shkurtër dhe me sa më pak bërryla.

Rrezik mbytje! Mbajini të gjitha materialet e paketimit larg fëmijëve.

KUJDES: Pjesët e arritshme mund të jenë të nxehta kur përdoren me pajisjet e gatimit.

- Shkarkimi i produktit nuk duhet të lidhet me kanale ajri që përfshijnë tymra të tjerë.
- Ajrimi në dhomë mund të mos jetë i mjaftueshëm kur aspiratori për vatrën elektrike përdoret në të njëjtën kohë me pajisje që funksionojnë me gaz ose karburante të tjera (kjo mund të mos jetë e vlefshme për pajisjet që e nxjerrin ajrin përsëri vetëm në dhomë).
- Objektet e vendosura mbi produkt mund të bien. Mos vendosni objekte mbi produkt.
- Mos ndizni flakë gjatë gatimit nën produkt.

PARALAJMËRIM: Para se të instaloni aspiratorin, hiqni shtresat mbrojtëse.

- Mos lini asnjëherë flakë të hapura të larta nën aspirator kur ai është në funksionim.
- Fritezat duhet të monitorohen vazhdimisht gjatë përdorimit: vaji i nxehur shumë mund të shpërthejë në flakë.

1.2 Përputhja me direktivën WEEE dhe hedhja e produktit pas përdorimit

Ky produkt është në përputhje me direktivën WEEE të BE-së (2012/19/EU). Ky produkt ka një simbol klasifikimi

për pajisjet e përdorura elektrike dhe elektronike (WEEE).



Ky simbol tregon se ky produkt nuk duhet të hidhet me mbeturinat e tjera të shtëpisë në fund të kohëzgjatjes së shërbimit. Pajisja e përdorura duhet të kthehet te pika zyrtare e grumbullimit për riciklimin e pajisjeve elektrike dhe elektronike. Për t'i gjetur këto sisteme grumbullimi, kontaktoni me autoritetet lokale ose me shitësin ku e keni blerë produktin. Çdo shtëpi ka një rol të rëndësishëm

në rikuperimin dhe riciklimin e pajisjeve të vjetra. Hedhja e pajisjes së përdorur në mënyrën e duhur ndihmon për të parandaluar pasoja të mundshme negative për mjedisin dhe shëndetin e njeriut.

1.3 Përputhja me direktivën RoHS

Produkti që keni blerë është në përputhje me direktivën RoHS të BE-së (2011/65/EU). Nuk përmban

materiale të dëmshme dhe të ndaluara të specifikuar në direktivë.

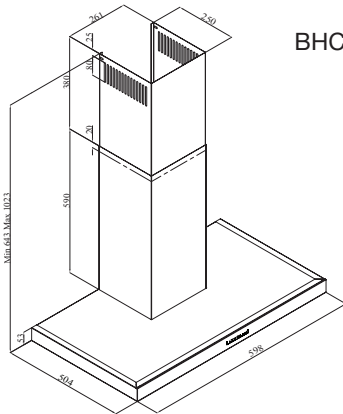
1.4 Informacionet për paketimin



Materialet e paketimit të produktit janë prodhuar nga materiale të riciklueshme në përputhje me rregulloret tona kombëtare për mjedisin. Mos i hidhni materialet e paketimit bashkë me mbeturinat e shtëpisë ose mbeturina të tjera. Dërgojini ato te pikat e grumbullimit të materialeve të paketimit të përcaktuara nga autoritetet lokale.

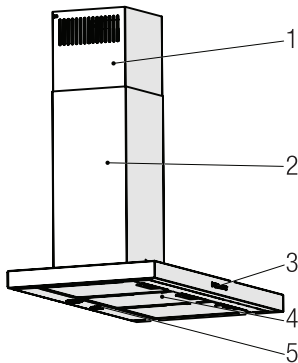
2 Pamja e përgjithshme

2.1 Përmbledhje



BHC61632 XH

(Figura 1)



1. Oxhaku i brendshëm
2. Oxhaku i jashtëm
3. Paneli i kontrollit
4. Filtrat anti-yndyrë prej alumini
5. Ndriçuesi i sobës

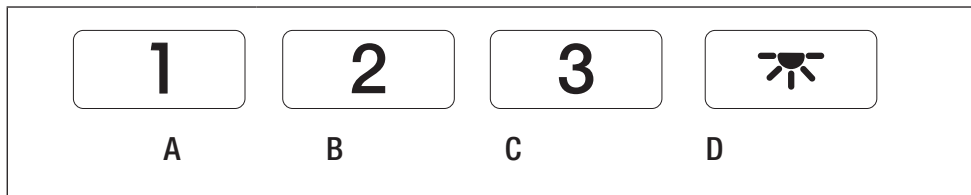
(Figura 2)

2.2 Të dhëna teknike

Modeli	BHC61632 XH
Voltazhi	220-240V ~ 50 Hz
Fuqia e llambës (W)	2 x 3 W
Fuqia e motorit (W)	210 W
Sasia e thithjes (m ³ /h) – 3. Niveli	612 m ³ /h
Klasa e izolimit të motorit	Klasa F
Klasa e izolimit	Klasa I

2 Pamja e përgjithshme

3.1 Kontrolli i pajisjes



BUTONI	FUNKSIONI
(A) : 1. Butoni i fazës	Operon pajisjen në shpejtësinë e 1-rë. Kur ju shtypni këtë buton përsëri për të fikur pajisjen, ekrani i fazës së shpejtësisë fiket.
(B) : 2. Butoni i fazës	Operon pajisjen në shpejtësinë e 2-të. Kur ju shtypni këtë buton përsëri për të fikur pajisjen, ekrani i fazës së shpejtësisë fiket.
(C) : 3. Butoni i fazës	Operon pajisjen në shpejtësinë e 3-të. Kur ju shtypni këtë buton përsëri për të fikur pajisjen, ekrani i fazës së shpejtësisë fiket.
(D) : Drita ndezur / fikur	Mund të ndriçoni sipërfaqen e gatimit duke shtypur këtë buton. Rishitypni butonin për të fikur llambën.

3.2 Përdorim efikas i energjisë për sa i përket kursimit të energjisë Përdorimi

- Kur përdorni pajisjen, rregulloni parametrat e shpejtësisë në përputhje me intensitetin e avullit dhe të aromës, në mënyrë që të kurseni energji.
- Përdorni shpejtësitë e ulëta (1-2) në kushte normale, dhe shpejtësinë e lartë (3) kur ka aroma të forta dhe avull.
- * Llambat në aspirator janë vendosur për të ndriçuar sipërfaqen e gatimit.

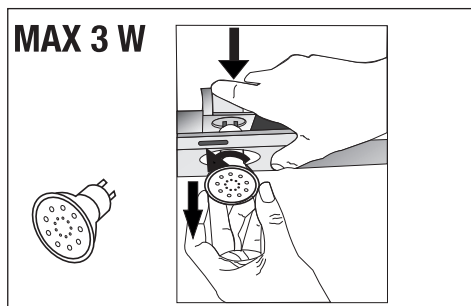
Përdorimi i tyre për të ndriçuar ambientin do të shkaktojë shpenzim të panevojshëm të energjisë dhe ndriçim të pamjaftueshëm.

3.3 Udhëzime të përdorimit

- Pajisja juaj ka një motor me shpejtësi të ndryshme.
- Për një performancë më të mirë, rekomandojmë të përdorni shpejtësitë e ulëta në kushte normale dhe shpejtësitë e larta në rastin kur ka aroma të forta dhe shumë avull.
- Mund ta ndizni pajisjen duke shtypur butonin e parametrave të shpejtësisë së dëshiruar. (A, B, C)
- Mund të ndriçoni sipërfaqen e gatimit duke shtypur llambën (D).

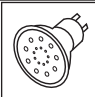
3 Përdorimi i pajisjes

3.4 Ndërrimi i llambës

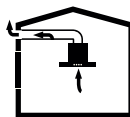


(Figura 3)

Bëni lidhjet elektrike të pajisjes. Pajisja juaj përdor llambë spot LED 3W. Për të ndërruar llambat, shtypeni poshtë mbajtësen nga prapa, rrotullojeni në drejtim të kundërt me akrepat e orës dhe tërhiqeni poshtë. Kryeni të njëjtat veprime nga ana e kundërt për të montuar llambat e reja (Figura 3).

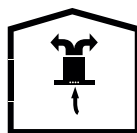
Llamba	
Fuqia e llambës (W)	3
Mbajtësja / Foleja	GZ 10
Voltazhi i llambës (V)	220 - 240
Madhësia (mm)	53 x 50
Kodi ILCOS	DR/F3-220-240-GZ10-50-53

3.5 Përdorimi me oxhak



- Avulli nxirret nëpërmjet tubit të oxhakut, i cili është mbërthyer te koka bashkuese në aspirator.
- Diametri i tubit të oxhakut duhet të jetë i njëjtë me unazën bashkuese. Kur është i vendosur horizontalisht, tubi duhet të ketë një pjerrësi pakëz të ngritur (rreth 10°) në mënyrë që ajri të dalë lehtë nga dhoma.

3.6 Përdorimi pa oxhak



- Ajri filtrohet nëpërmjet filtrit prej karboni dhe riqarkullohet në dhomë. Filtri prej karboni përdoret kur është e pamundur të përdoret një oxhak në shtëpi.
- Në përdorimin pa oxhak, hiqni fletët brenda reduktorit të oxhakut.
- Hiqni filtrin anti-yndyrë. Për të montuar filtrin prej karboni, puthiteni filtrin te gjuhëzat duke e e vënë në qendër të pjesës plastike në lidhje me të dyja anët e trupit të ventilatorit. Shtrëngojeni duke e rrotulluar djathtas ose majtas.
- Rivendosni filtrin anti-yndyrë prej alumini.

4 Pastrimi dhe mirëmbajtja



Para pastrimit dhe mirëmbajtjes, hiqni produktin nga priza ose fikni çelësin.



Gjithashtu, mund t'i lani filtrat anti-yndyrë prej alumini në pjatatarëse.

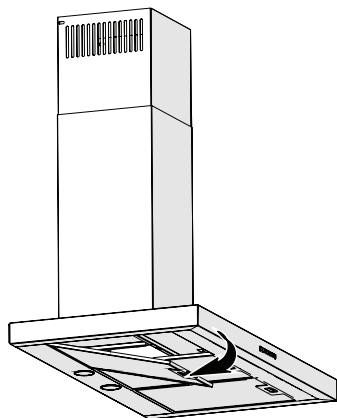
4.1 Pastrimi i filtrave anti-yndyrë prej alumini

Filtri anti-yndyrë prej alumini mbledh grimcat e yndyrëve që janë në ajër. Filtrat prej alumini mund të ndryshojnë ngjyrë kur lahen disa herë. Kjo është normale dhe nuk ka nevojë t'i ndërroni filtrat tuaj.



KUJDES

Në rast përdorimi normal, pastrojeni filtrin anti-yndyrë prej alumini një herë në muaj.

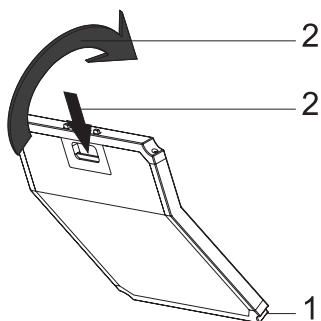


(Figura 4)

- Shtyni para mbërtheckën e filtrit anti-yndyrë prej alumini.
- Pastaj tërhiqeni pak poshtë dhe nxirreni jashtë filtrin (Figura 4). Në të kundërt, mund ta shtrembëroni filtrin. Lani dhe shpëlani filtrat anti-yndyrë prej alumini me detergjent të lëngshëm dhe rivendosni filtrat anti-yndyrë prej alumini në foletë e tyre duke ndjekur hapat e specifikuar më sipër në radhën e kundërt. Këta filtra anti-yndyrë prej alumini përdoren për të mbledhur grimcat e yndyrëve që janë në ajër.

4 Pastrimi dhe mirëmbajtja

4.2 Ndërrimi i filtrave prej karboni



(Fig. 5)

Pajisja që keni blerë është e përshtatshme për t'u përdorur me filtra karboni.

- Hiqni filterat anti-yndyrë prej alumini (Figura 4).
- Vendoseni pjesën e poshtme të filtrit prej karboni në kabinën e motorit (Figura 5).
- Shtypni mbërtheckën e filtrit të karbonit dhe shtyjeni përpara e sigurohuni që gjuhëzat e filtrit të karbonit të lëvizin dhe të bllokohen. (Figura 5).
- Montoni filterat anti-yndyrë prej alumini.



KUJDES

Filtri prej karboni nuk duhet të lahet kurrë.



KUJDES

Ndërroni filterat prej karboni një herë në 3 muaj.



KUJDES

Mund ta gjeni filtrin prej karboni te serviset e autorizuara.

5 Montimi i pajisjes



KUJDES!

Para se të filloni montimin, lexoni informacionet për sigurinë në Manualin e Përdorimit.



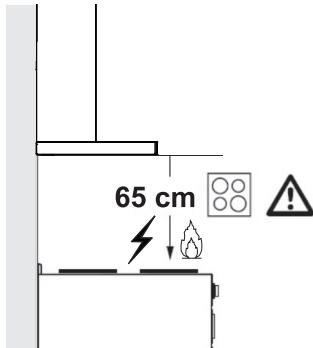
KUJDES!

Nëse pajisja nuk montohet me vida dhe bulona në përputhje me këto udhëzime, kjo mund të rezultojë në goditje elektrike.

Për montimin e aspiratorit, ju lutemi kontaktoni Servisin e Autorizuar më të afërt.

Është përgjegjësia e klientit të përgatitë vendndodhjen dhe montimin elektrik të aspiratorit.

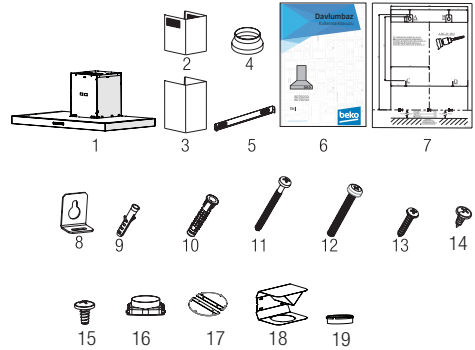
5.1 Pozicioni i pajisjes



(Figura 6)

- Distanca midis sobës dhe aspiratorit të kuzhinës duhet të merret parasysh para montimit. Distanca duhet të jetë 65 cm (Figura 6).
- Distanca duhet matur nga sipërfaqja e skarës për sobat me gaz,
- Nga sipërfaqja e xhamit për sobat elektrike.

5.2 Aksesorët e montimit



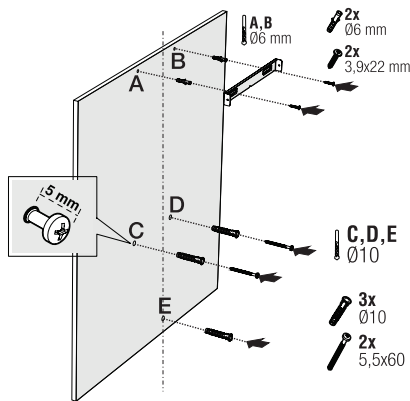
1. Produkti
2. OXHAKU I BRENDSHËM
3. OXHAKU I JASHTËM
4. REDUKTORI I OXHAKUT Ø150/120mm
5. Pllaka bashkuese e oxhakut
6. Manuali i përdorimit
7. Shablioni i montimit
8. 6x pllakëza mbajtëse
9. 6x Ø6mm upa plastike
10. 3x upa plastike Ø10mm
11. 3x vida muri 5.5x60
12. 2x vida për pllakëzat mbajtëse M5x35
13. 6x vida për pllakën bashkuese të oxhakut 3.9x22
14. Vidë për pllakë lidhëse oxhaku 2x 3,5x9,5
15. Vidë pa kokë 2x 3,5x9,5
16. Adaptor plastik (nga katror në i rumbullakët)
17. Valvul me një drejtim
18. Deflektor ajri
19. Adaptor plastik (devijues ajri)

Informacionet që nevojiten për ta bërë vendin të përshtatshëm për montimin e aspiratorit jepen më poshtë.

5 Montimi i pajisjes

5.3 Montimi në mur

- Muri duhet të jetë i sheshtë, i drejtë dhe të ketë aftësi mbajtëse të mjaftueshme.
- Thellësia e vrimave që do të shpohen duhet të përputhet me gjatësinë e bulonave.
- Bulonat dhe upat e siguruar janë të përshtatshme për muret me tulla. Për materiale të tjera ndërtimi (p.sh. karton gips, veshje metalike, beton poroz), duhen përdorur upa dhe vida të përshtatshme.



(Figura 7)



KUJDES

Para se të hapni vrimat, sigurohuni që pranë vendit ku do të shpohi me trapan të mos ketë tuba korrenti, gazi ose uji.

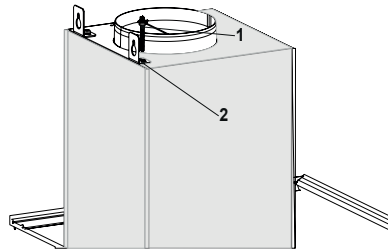
Vizatoni një vijë në mes të vendndodhjes së aspiratorit nga tavana pingul me skajin e poshtëm të aspiratorit ().

Fiksojeni shabllonin e montimit në mur. Për pikat A dhe B, merrni si referim përmasat maksimale të aspiratorit, dhe hapni vrima te pikat A dhe B që kenë shënuar, me punto Ø6mm, dhe futni duke i

goditur lehtë upat plastike Ø6mm. Fiksoni në mur pllakën bashkuese të oxhakut me 2 vidat 3,9x22 (Figura 8).

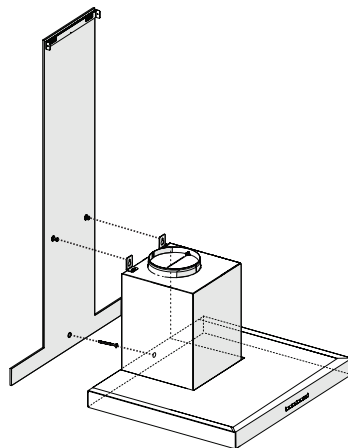
Për të montuar trupin e aspiratorit, hapni vrima te pikat C,D,E të specifikuara në shabllonin e montimit me punto Ø10mm dhe futni në këto vrima duke i goditur lehtë upat plastike Ø10mm (Figura 8).

Montoni 2 vida montimi 5.5x60 te pikat C dhe D duke lënë një hapësirë 5 mm midis kokës së vidës dhe murit (Figura 8).



(Figura 8)

Montoni dy pllakëza mbajtëse te trupi i aspiratorit me vida montimi M5x35 (Figura 8).



(Figura 9)

5 Montimi i pajisjes

Mbajeni aspiratorin e kuzhinës te trupi i tij dhe vendoseni te vidat e montimit në mur dhe shtrëngojini vidat (Figura 9).

Fiksojeni aspiratorin e kuzhinës në mur me një vidë 5.5x60 nga vrima e montimit që gjenden në anën e brendshme të pajisjes (Figura 9).

5.4 Lidhja me oxhakun

Nëse do të përdorni reduktorin plastik të oxhakut Ø 120/150 mm, lidhni njërin skaj të tubit me këtë reduktor, nëse nuk do ta përdorni, drejtpërdrejt te gryka dalëse e produktit. Lidhni anën tjetër të tubit me oxhakun. Kontrolloni që këto dy lidhje të jenë shtrënguar mjaftueshëm që të mos dalin nga vendi kur pajisja të punojë me tërë fuqinë. Kontrolloni nëse fletët brenda oxhakut funksionojnë pasi janë kapur

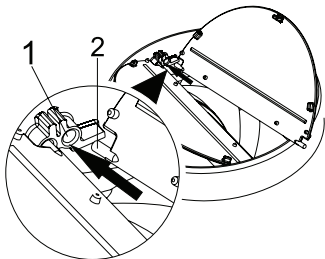
me mbërthecka. Lidhni tubin bashkues me oxhakun nga ana e jashtme e reduktorit (Figura 11/a). Nëse tubi bashkues vendoset brenda reduktorit, nuk do të thithet ajri pasi fletët e oxhakut që pengojnë rikthimin e ajrit do të qëndrojnë të mbyllura (Figura 11 / b). Gjatësia e tubit bashkues si edhe numri i bërthylave duhet të jenë sa më minimale.

A : Tubi dalës i oxhakut

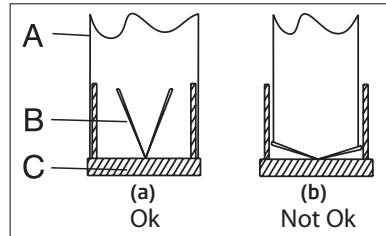
B : Fletët që hapen vetëm nga njëra anë

C : Reduktori plastik

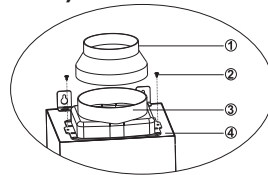
Valvulat mbyllen kur pajisja nuk punon dhe pengon që erërat dhe pluhurat nga jashtë të mos hyjnë brenda.



(Figura 10)



(Figura 11)

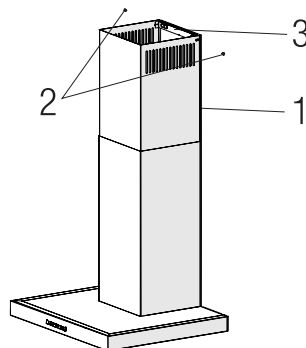


(Figura 12)

5.5 Montimi i aspiratorit me oxhakun

Bëni lidhjen elektrike të aspiratorit para se të filloni montimin e oxhakut. Hiqini pllakëzat e oxhakut që janë përreth trupit duke i rrëshqitur.

Montojeni oxhakun te pllaka bashkuese e oxhakut që është mbërthyer në mur duke e vendosur nga cepat e tij të jashtëm që ndodhen sipër (Figura 13).



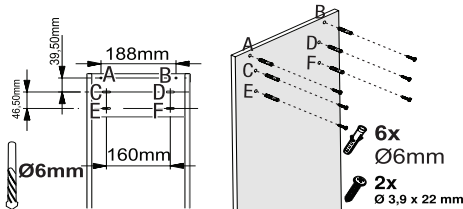
(Figura 13)

1. Oxhaku i brendshëm
2. Vidë 3.5x9.5
3. Pllaka bashkuese e oxhakut

5 Montimi i pajisjes

5.6 Montimi i diafragmës së ajrit

Kur përdoret filtri prej karboni, bashkë me pajisjen ju jepet edhe një diafragmë ajri me qëllimin për të rinxjerrë ajrin që pastrohet nga filtri prej karboni nga e çara që ndodhet në oxhak. Montojeni diafragmën e ajrit si më poshtë.



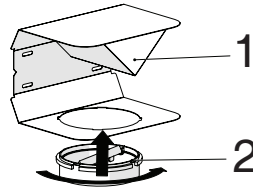
(Fig. 14)

Ka një gjuhëz në mes të pllakës bashkuese të oxhakut. Vendoseni mesin e kësaj gjuhëze te vija që është vizatuar pingul në mur. Drejtojeni horizontalisht dhe shënoni me stilolaps vrimat ku do të montohet pllaka bashkuese (Figura 14 / A, B).

Hapni vrimat te vendet e shënuara me punto Ø6mm dhe futni dy upa plastike Ø6mm te vrimat e hapura (Figura 14 /A, B).

Fiksioni në mur pllakën bashkuese të oxhakut me vidat 3.9x22. (Figura 14 / A, B).

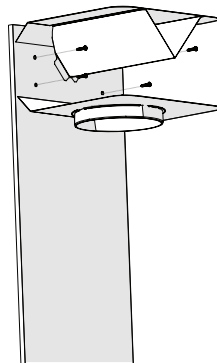
Për të montuar diafragmën e ajrit, hapni vrima në pikat C, D, E, F me punto Ø6mm dhe futni upat plastike Ø6mm (Figura 14).



(Fig. 15)

1- Diafragma e ajrit
2- Reduktori plastik

Futni reduktorin plastik të oxhakut, i cili përfshihet në paketim, në drejtim të diafragmës së ajrit. Bllokojeni reduktorin plastik duke e rrotulluar në drejtim të shigjetës (Figura 15).

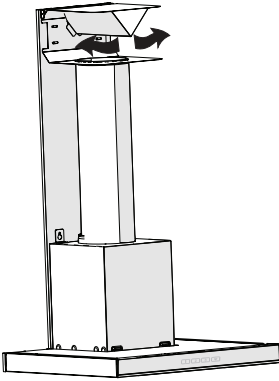


(Figura 16)

Montojeni grupin e diafragmës së ajrit me vidat 3.9 x 22 në pikat C, D, E, F që keni përgatitur tashmë (Figura 14).

Montoni trupin e aspiratorit (Faqja 12 / Figura 7).

5 Montimi i pajisjes



(Fig. 17)

1- Tubi shkarkues i ajrit prej alumini
Bëni montimin e tubit shkarkues të ajrit (Fig-
ura 17).



Meqë përdredhjet dhe
përkuljet e tubit të aluminit do
të bëjnë që të reduktohet fuqia
e thithjes së ajrit, shmangini
sa më shumë këto përdredhje
dhe përkulje.

Montoni pllakëzat mbajtëse të aspiratorit
(Faqja 13 / Figura 13)

6 Zgjidhja e problemeve

Zgjidhja e problemeve	Shkaku	Ndihma
Pajisja nuk punon.	Kontrolloni siguresat.	Siguresa mund të ketë plasur, kontrollojeni dhe ndërrojeni.
Pajisja nuk punon.	Kontrolloni lidhjen elektrike.	Voltazhi kryesor duhet të jetë nga 220 deri në 240 V.
Pajisja nuk punon.	Kontrolloni lidhjen elektrike.	Kontrolloni nëse punojnë pajisjet e tjera në kuzhinë.
Drita ndriçuese nuk punon.	Kontrolloni lidhjen elektrike.	Voltazhi kryesor duhet të jetë nga 220 deri në 240 V.
Drita ndriçuese nuk punon.	Kontrolloni çelësin e llambës.	Çelësi i llambës duhet të jetë në pozicionin "ndezur".
Drita ndriçuese nuk punon.	Kontrolloni llambat	Llambat e pajisjes duhet të ndriçojnë.
Sasia e ajrit që futet në pajisje është e papërshtatshme.	Kontrolloni filtrin prej alumini.	Nën kushte normale pune, filtri anti-yndyrë prej alumini duhet pastruar të paktën një herë në muaj.
Sasia e ajrit që futet në pajisje është e papërshtatshme.	Kontrolloni tubin e shkarkimit të ajrit.	Tubi i shkarkimit të ajrit duhet të jetë në pozicionin "hapur".
Sasia e ajrit që futet në pajisje është e papërshtatshme.	Kontrolloni filtrin prej karboni.	Filtrat e pajisjeve me filtra prej karboni duhen ndërruar një herë në 3 muaj në kushte normale.

Nejprve si prosím přečtěte tuto příručku!

Vážení zákazníci,

děkujeme vám, že jste si zvolili výrobek BEKO. Chtěli bychom, abyste dosáhli optimální účinnosti tohoto vysoce kvalitního výrobku, který byl vyroben pomocí nejmodernějších technologií. Před použitím výrobku si prosím přečtěte celou tuto příručku a doplňkovou dokumentaci a uschovejte si je pro pozdější nahlédnutí. Pokud budete výrobek předávat někomu jinému, přiložte k němu i tuto příručku. Dodržujte všechna zde uvedená varování a informace a řiďte se pokyny.

Nezapomínejte, že tato uživatelská příručka se může vztahovat na několik modelů výrobků. Příručka jasně představuje všechny varianty různých modelů.

Symbyly a jejich významy

V této příručce jsou použity tyto symboly:



Důležité informace a doporučení týkající se používání spotřebiče.



UPOZORNĚNÍ: Varování týkající se zranění osob nebo poškození majetku.



Varování před úrazem elektrickým proudem.



Varování před rizikem vzniku požáru.



Tento výrobek byl vyroben v moderních výrobních závodech s ohledem na životní prostředí a bez poškození přírody.

1.1 Všeobecné bezpečnostní pokyny

Důležité bezpečnostní pokyny. Pozorně si přečtěte a uschovejte pro budoucí použití. Tato část obsahuje bezpečnostní pokyny, které vám pomohou chránit se před rizikem požáru, zásahu elektrickým proudem, vystavení uniklé mikrovlnné energii, zranění osob nebo poškození majetku. Nedodržení těchto pokynů ruší záruku.

- Výrobky Beko splňují platné bezpečnostní normy; Z toho důvodu, pro zabránění vzniku nebezpečí by v případě poškození spotřebiče nebo napájecího kabelu je měl opravit nebo vyměnit prodejce, servisní středisko nebo specializovaný a autorizovaný servis. Chybné nebo nekvalifikované opravy mohou být nebezpečné a mohou představovat riziko pro uživatele.
- Toto zařízení je určeno pro použití v domácnosti a v podobných podmínkách, jako jsou například:
 - Kuchyně pro zaměstnance v obchodech, kancelářích a jiných pracovních prostředích;
 - Farmové domy
 - Pro potřeby zákazníků v hotelech a jiných typech bytových zařízení;
 - V ubytovací zařízení typu bed and breakfast.
- Používejte spotřebič na určený účel pouze tak, jak je to uvedeno v tomto návodu.

- Výrobce neodpovídá za škody způsobené nesprávnou instalací nebo nesprávným použitím produktu.
- Tento spotřebič mohou používat děti ve věku od 8 let a osoby s omezenými fyzickými, smyslovými nebo duševními schopnostmi, nebo nedostatkem zkušeností a znalostí, pokud jsou pod dohledem nebo jim byly dány instrukce týkající se použití přístroje osobou zodpovědnou za jejich bezpečnost.
- Se spotřebičem si nesmí hrát děti. Čištění a údržbu nesmějí provádět děti bez dozoru.
- Minimální vzdálenost mezi podpůrnou plochou pro varné nádoby na varné desce a nejnižší částí vašeho produktu musí být nejméně 65 cm.
- Pokud je v pokynech k instalaci plynové varné desky uvedena větší vzdálenost, musí to zohlednit.
- Ujistěte se, že síťové napájení je ve shodě s informacemi uvedenými na typovém štítku spotřebiče.
- Nikdy nepoužívejte spotřebič, pokud je poškozen napájecí kabel nebo samotný spotřebič.
- Chcete-li zabránit poškození napájecího kabelu, nemačkejte ho, neohýbejte ho ani ho neotírejte na ostrých hranách. Napájecí kabel udržujte mimo dosah horkých povrchů a otevřeného ohně.
- Spotřebič používejte pouze s uzemněnou

zásuvkou.

UPOZORNĚNÍ: Nepřipojujte spotřebič k elektrické síti, dokud není instalace zcela dokončena.

- Spotřebič umístěte tak, aby byla zástrčka vždy přístupná.
- Nedotýkejte se žárovek, pokud byly v provozu delší dobu. Mohou vám spálit ruce, protože budou horké.
- Dodržujte předpisy týkající se vypouštění odpadního vzduchu stanovené příslušnými orgány (toto upozornění se netýká použití bez kouřovodu).
- Svůj spotřebič provozujte po umístění hrnce, pánve atd. na varnou desku. V opačném případě může vysoká teplota způsobit deformaci některých částí vašeho produktu.
- Varnou desku vypněte před odebráním hrnce, pánve atd. z ní.
- Nenechávejte horký olej na varné desce. Pánve s horkým olejem mohou způsobit samovznícení.
- Věnujte pozornost záclonám a příkrývkám, protože při pečení potravin, jako jsou např. hranolky, může olej vznítit.
- Tukový filtr vyměňujte nejméně jednou měsíčně. Uhlíkový filtr vyměňujte nejméně každé 3 měsíce.
- Výrobek vyčistěte v souladu s návodem k použití. Pokud čištění nebylo provedeno v souladu s návodem k použití, může vznik-

nout riziko požáru.

- Namísto aktuálního filtru nepoužívejte ne-ohnivzdorné filtrační materiály.
- Používejte pouze originální díly nebo části doporučené výrobcem.
- Nepoužívejte výrobek bez filtru a nevybírejte filtry, když je produkt v provozu.
- V případě, že dojde ke vznícení jakéhokoliv plamene, vypněte napájení vašeho produktu a kuchyňských spotřebičů.
- V případě vznícení plamene zakryjte plamen a na hašení nikdy nepoužívejte vodu.
- Před každým čištěním a když se zařízení nepoužívá, odpojte jej ze sítě.
- Jestliže digestoř pro elektrické varné desky a spotřebiče běžící na jiný druh energie, jako je elektrická energie pracují současně, podtlak v prostředí nesmí překročit 4 Pa (4 x 10 bar).
- V prostředí, ve kterém se spotřebič používá, musí být kouřové plyny zařízení fungující na topný olej nebo na plyn, jako je například vytápění místností, zcela izolované nebo zařízení musí být hermetického typu.
- Při připojování kouřovodu používejte trubky s průměrem 120 nebo 150 mm. Spojení potrubí musí být co nejkratší a musí mít co nejméně kolen.

Nebezpečí udušení! Všechny obalové materiály uchovávejte mimo dosah dětí.

POZOR: Přístupné části se při použití s ku-

1 Důležité bezpečnostní a ekologické pokyny

chyňskými spotřebiči mohou zahřát.

- Vývod produktu nesmí být připojen k vzduchovému kanálu, který obsahuje další kouř.
- Pokud se digestoř elektrického varného panelu používá současně se zařízeními pracujícími na plyn nebo na jiná paliva, větrání v místnosti může být nedostatečné (to se nemusí týkat spotřebičů, které pouze vypouštějí vzduch zpět do místnosti).
- Předměty umístěné na výrobku mohou spadnout. Na vrchní část produktu nedávejte žádné předměty.
- Pod vašim výrobkem neflambujte.

UPOZORNĚNÍ: Před instalací digestoře odstraňte ochranné fólie.

- Když je digestoř v provozu, nikdy nenechávejte pod digestoři vysoké plameny
- Fritézy s obsahem tuku se během používání nepřetržitě monitorovat: přehřátý olej může vzplanout.

1.2 Soulad se směrnici WEEE a Odstranění odpadů výrobku

Tento výrobek splňuje požadavky směrnice WEEE EU (2012/19 / EU). Tento výrobek nese symbol klasifikace

pro odpad z elektrických a elektronických zařízení (OEEZ).



Tento symbol znamená, že na konci své životnosti se tento výrobek nesmí likvidovat spolu s ostatním do-

movním odpadem. Použité zařízení se musí odnést na oficiální sběrné místo pro recyklaci elektrických a elektronických zařízení. Chcete-li najít tato místa sběru, obraťte se na místní úřady nebo na prodejce, u kterého byl produkt zakoupen. Každá domácnost plní důležitou úlohu

při zhodnocování a recyklaci starých zařízení. Správná likvidace použitého spotřebiče pomáhá předcházet možným negativním následkům pro životní prostředí a lidské zdraví.

1.3 Soulad se směrnici RoHS

Výrobek, který jste si zakoupili, je v souladu se směrnici EU RoHS (2011/65/EU). Neobsahuje

škodlivé a zakázané materiály uvedené ve Směrnici.

1.4 Informace o balení

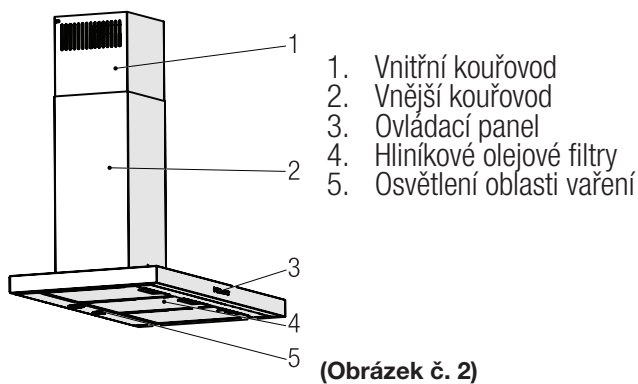
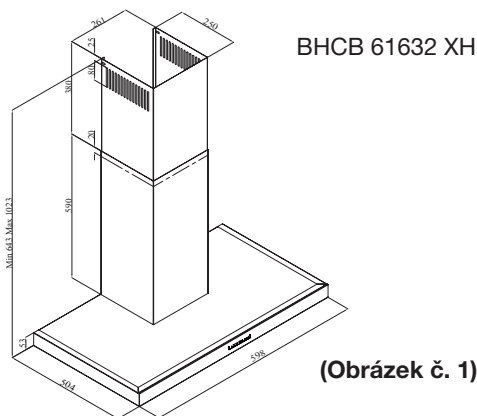


Obalové materiály výrobku jsou vyrobeny z recyklovatelných materiálů v souladu s našimi národními

Předpisy pro životní prostředí. Nevyhazujte obalové materiály spolu s domácími nebo jinými odpady. Vezměte je do sběrných míst pro obalové materiály určené místními orgány.

2 Celkový vzhled

2.1 Přehled






2.2 Technické údaje

Model	BHC61632 XH
Napájecí napětí	220-240V ~ 50 Hz
Příkon žárovky (W)	2 x 3 W
Příkon motoru (W)	210 W
Rychlost proudění (m ³ /h) – 3. úroveň	612 m ³ /h
Třída izolace motoru	Třída F
Třída izolace	Třída I

3 Používání spotřebiče

3.1 Ovládání spotřebiče

			
A	B	C	D
TLAČÍTKO	FUNKCE		
(A) : 1. Tlačítko stupně	Spotřebič pracuje s 1. rychlostí. Po dalším stisknutí tohoto tlačítka se spotřebič vypne, zobrazení stupně rychlosti se vypne.		
(B) : 2. Tlačítko stupně	Spotřebič pracuje s 2. rychlostí. Po dalším stisknutí tohoto tlačítka se spotřebič vypne, zobrazení stupně rychlosti se vypne.		
(C) : Tlačítko 3. stupně	Spotřebič pracuje se 3. rychlostí. Po dalším stisknutí tohoto tlačítka se spotřebič vypne, zobrazení stupně rychlosti se vypne.		
(D) : Zapnutí/vypnutí světla	Stisknutím tohoto tlačítka osvětlíte oblast vaření. Chcete-li osvětlení vypnout, stiskněte tlačítko znovu.		

3.2 Energeticky účinný provoz z hlediska úspory

Použití

- Při používání spotřebiče upravte nastavení rychlosti podle intenzity páry a zápachu, abyste ušetřili energii.
- Za normálních podmínek používejte nízké rychlosti (1–2) a vysokou rychlost (3) používejte pro intenzivní zápach a páry.
- * Žárovky jsou na digestoři umístěny za účelem osvětlení oblasti vaření.

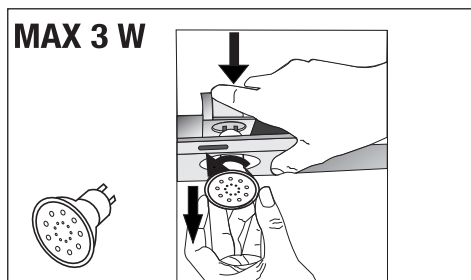
Jejich používání na osvětlení většího prostoru povede ke zbytečné spotřebě energie a k nedostatečnému osvětlení.

3.3 Pokyny k použití

- Váš spotřebič má motor, který pracuje různými rychlostmi.
- Pro dosažení lepší výkonosti doporučujeme za normálních podmínek používat nízké rychlosti a vysoké rychlosti používat v případě silných zápachů a intenzivních par.
- Spotřebič můžete zapnout stisknutím tlačítka požadované rychlosti. (A, B, C)
- Oblast vaření osvětlíte stisknutím tlačítka osvětlení (D).

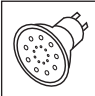
3 Používání spotřebiče

3.4 Výměna žárovky

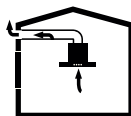


(Obrázek č. 3)

Připojte spotřebič k elektrické síti. Váš spotřebič používá bodovou LED žárovku 3 W. Při výměně žárovek zatlačte na držák směrem dozadu, otočte jím proti směru hodinových ručiček a vyjměte jej směrem dolů. Použijte výše uvedený postup obráceně a vložte nové žárovky (obrázek 3).

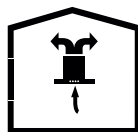
Žárovka	
Příkon žárovky (W)	3
Držák/objímka	GZ 10
Napětí žárovky (V)	220–240
Velikost (mm)	53 x 50
Kód ILCOS	DR/F3-220-240-GZ10-50-53

3.5 Používání s připojením ke kouřovodu



- Pára je odsávána potrubím kouřovodu, které je upevněno k přípojovací hlavě na digestoři.
- Průměr potrubí kouřovodu musí být stejný jako u přípojovacího prstence. Při vodorovném nastavení musí mít potrubí mírný sklon směrem nahoru (kolem 10°), aby mohl vzduch snadněji odcházet z místnosti.

3.6 Používání bez připojení ke kouřovodu



- Vzduch se filtruje přes uhlíkový filtr a recirkuluje v místnosti. Uhlíkový filtr se používá, když není v domě možné použít kouřovod.
- Při použití bez kouřovodu vyjměte klapky uvnitř adaptéru kouřovodu.
- Vyjměte olejový filtr. Chcete-li nainstalovat uhlíkový filtr, nasadte filtr na příchytky vystředěním na plastový díl na obou stranách tělesa ventilátoru. Utáhněte jej otáčením doprava nebo doleva.
- Vyměňte hliníkový olejový filtr.

4 Čištění a údržba



Před čištěním a údržbou výrobek odpojte nebo vypněte spínačem.



Hliníkové olejové filtry můžete také mýt v myčce.

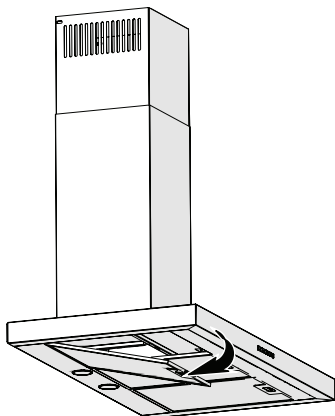
4.1 Čištění hliníkových olejových filtrů

Hliníkový olejový filtr se používá k zadržení olejových částic ve vzduchu. Hliníkové filtry mohou po opakovaném čištění změnit barvu. Je to normální a neznamená to potřebu výměny vašich filtrů.



UPOZORNĚNÍ

V případě běžného používání hliníkový olejový filtr vyčistěte jednou za měsíc.

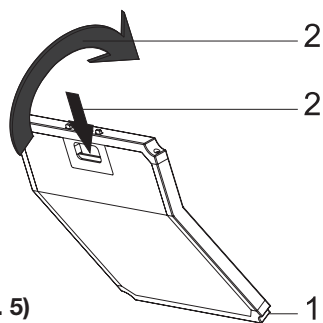


(Obrázek č. 4)

- Zatlačte zámek hliníkového olejového filtru dopředu.
- Potom jej lehce táhněte dolů a vytáhněte ven (obrázek č. 4). Jinak se může filtr ohnout. Hliníkové olejové filtry omyjte a opláchněte tekutým čisticím prostředkem a vraťte je do jejich lůžek provedením výše uvedených kroků v opačném pořadí. Tyto hliníkové olejové filtry se používají k zadržení olejových částic ve vzduchu.

4 Čištění a údržba

4.2 Výměna uhlíkových filtrů



(Obr. č. 5)

Spotřebič, který jste si zakoupili, je vhodný pro použití s uhlíkovými filtry.

- Vyměňte hliníkové olejové filtry (obrázek č. 4).
- Umístěte spodní část uhlíkového filtru do krytu motoru (obrázek č. 5).
- Stiskněte příchytku uhlíkového filtru a zatlačte jej dopředu a ujistěte se, že jsou příchytky uhlíkového filtru zasunuty a uzamčeny. (Obrázek č. 5).
- Přepevněte hliníkové olejové filtry.



UPOZORNĚNÍ

Uhlíkový filtr se nesmí nikdy mýt.



UPOZORNĚNÍ

Uhlíkové filtry vyměňte jednou za 3 měsíce.



UPOZORNĚNÍ

Uhlíkový filtr můžete získat v autorizovaných servisech.

5 Instalace spotřebiče



UPOZORNĚNÍ!

Před zahájením instalace si přečtěte bezpečnostní informace v uživatelské příručce.

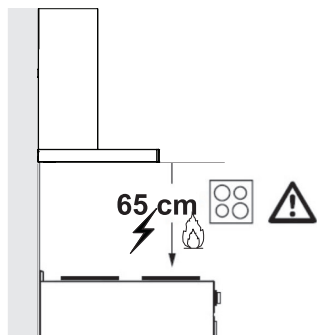


UPOZORNĚNÍ!

Pokud nebudete šrouby a stabilizátory instalovat podle těchto pokynů, může dojít k úrazu elektrickým proudem.

Chcete-li si nechat digestoř nainstalovat, obraťte se na nejbližší autorizovaný servis. Za přípravu místa a elektrickou instalaci pro digestoř odpovídá zákazník.

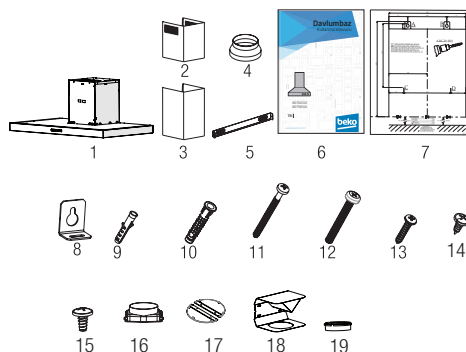
5.1 Umístění spotřebiče



(Obrázek č. 6)

- Před instalací je nutno zvážit vzdálenost mezi sporákem a digestoří. Tato vzdálenost by měla být 65 cm (obrázek č. 6).
- U plynových sporáků se vzdálenost musí měřit od povrchu roštu,
- u elektrických sporáků od povrchu skla.

5.2 Instalace příslušenství



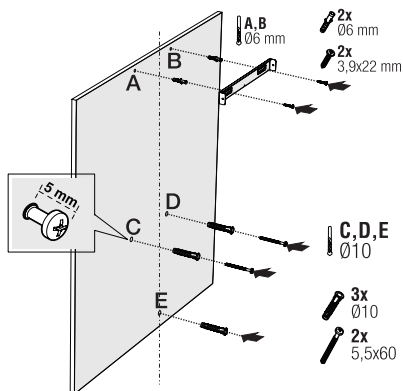
1. Výrobek
2. Vnitřní kouřovod
3. Vnější kouřovod
4. Adaptér kouřovodu $\varnothing 150/120$ mm
5. Deska pro připojení kouřovodu
6. Uživatelská příručka
7. Instalační plánek
8. 6x závěsná deska
9. 6x plastová hmoždinka $\varnothing 6$ mm
10. 3x plastová hmoždinka $\varnothing 10$ mm
11. 3x šroub pro upevnění na stěnu 5,5x60
12. 2x šroub pro připojení závěsné desky M5x35
13. 6x šroub desky pro připojení kouřovodu 3,9x22
14. Šroub pro připojení komína 2x 3,5x9,5
15. 2x slepý šroub 3,5 x 9,5
16. Plastový adaptér (čtvereční na kulatý)
17. Zpětný ventil
18. Vzduchová clona
19. Plastový adaptér (odváděč vzduchu)

Níže jsou uvedeny informace potřebné k určení umístění vhodného pro instalaci digestoře.

5 Instalace spotřebiče

5.3 Instalace na stěnu

- Stěna musí být plochá, rovná a musí mít dostatečnou nosnost.
- Hloubka navrtaných otvorů musí být v souladu s délkou šroubů.
- Dodané šrouby a hmoždinky jsou vhodné pro cihlové zdi. Pro jiný stavební materiál (např. sádkarton, desky, porézni beton) musí být použity vhodné upevňovací hmoždinky a matice.



(Obrázek č. 7)



UPOZORNĚNÍ

Před vrtáním se ujistěte, že v těsné blízkosti vrtaných míst nejsou žádná vedení elektřiny, plynu nebo vody.

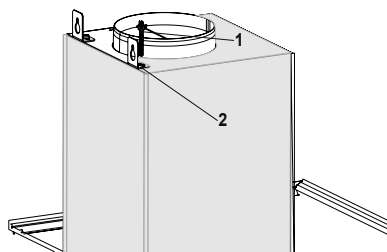
Od stropu nakreslete středovou čáru kolmo ke spodnímu okraji digestoře ().

Upevněte na stěnu instalační šablonu. U bodů A a B vezměte jako referenční rozměry maximální rozměry digestoře, a vyvrtejte body A a B, které jste si označili, vrtákem Ø6 mm a vložte plastové hmoždinky Ø6 mm. Desku pro

připojení kouřovodu připevněte ke stěně pomocí 2 šroubů 3,9x22 (obrázek č. 8).

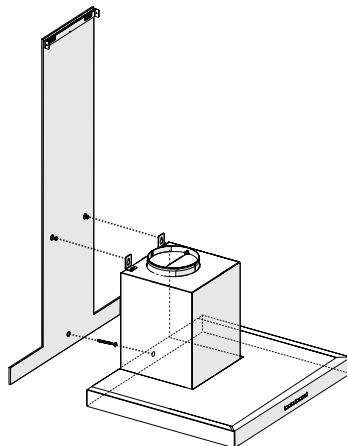
Chcete-li nainstalovat těleso digestoře, vyvrtejte pomocí vrtáku Ø10 mm body C, D, E uvedené v instalační šabloně a vložte do těchto otvorů plastové hmoždinky Ø10 mm (obrázek 8).

Našroubujte 2 kusy montážních šroubů 5,5x60 do otvorů C a D s vůlí 5 mm mezi hlavou šroubu a stěnou (obrázek 8).



(Obrázek č. 8)

Nainstalujte k tělesu digestoře pomocí montážních šroubů M5x35 dva kusy závěsných desek (obrázek 8).



(Obrázek č. 9)

5 Instalace spotřebiče

Držte digestoř za její těleso a umístěte ji na upevňovací šrouby na stěně a utáhněte šrouby (obrázek č. 9).

Zajistěte digestoř na stěně pomocí šrouby 5,5x60 instalačním otvorem na vnitřní straně spotřebiče (obrázek č. 9).

5.4 Připojení ke kouřovodu

Pokud se chystáte použít plastový adaptér kouřovodu Ø120/150 mm, připojte jeden konec potrubí k tomuto adaptéru. Pokud adaptér nebudete používat, připojte jeden konec potrubí přímo k výstupu na výrobku. Druhý konec potrubí připojte k vašemu kouřovodu. Zkontrolujte, zda jsou tyto dva spoje natolik těsné, že nedojde k jejich uvolnění, když bude spotřebič pracovat na plný výkon. Zkontrolujte, zda klapky uvnitř kouřovodu fungují, když jsou utaženy

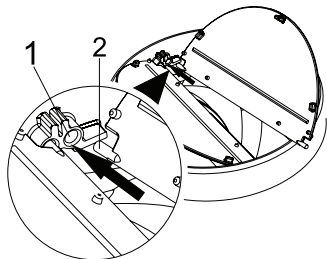
svorkami. Připojte připojovací potrubí kouřovodu na vnější stranu adaptéru (obrázek č. 11/a). Je-li připojovací potrubí naistalováno na vnitřní straně adaptéru, nemůže dojít k sání vzduchu, protože kouřová klapka, která brání návratu vzduchu, zůstane uzavřená (obrázek č. 11/b). Délka připojení potrubí i počet kolen musí být co nejmenší.

A: potrubí odtahu kouře

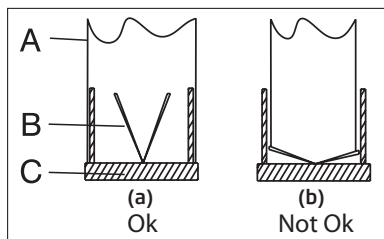
B: zpětné klapky

C: plastový kouřovod

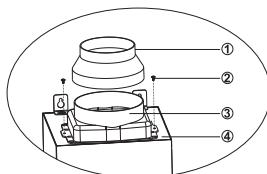
Když spotřebič nepracuje, klapky jsou zavřené a zabráňují vniknutí možného vnějšího zápa-
chu a prachu dovnitř.



(Obrázek č. 10)



(Obrázek č. 11)

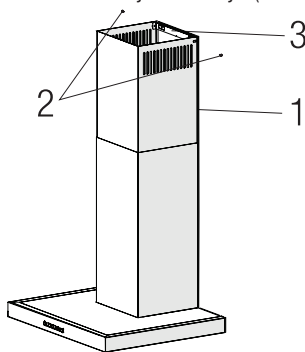


(Obrázek č. 12)

5.5 Instalace digestoře ke kouřovodu

Před zahájením instalace kouřovodu proveďte elektrické připojení digestoře. Nasuňte desky kouřovodu kolem tělesa.

Nainstalujte desku kouřovodu na upevňovací desku kouřovodu, která je připevněna ke stěně z jejich horních vnějších okrajů (obrázek č. 13).



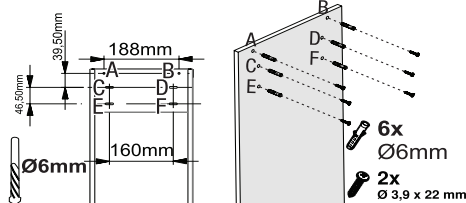
(Obrázek č. 13)

1. Vnitřní kouřovod
2. Šroub 3,5x9,5
3. Deska pro připojení kouřovodu

5 Instalace spotřebiče

5.6 Instalace usměrňovače proudu vzduchu

Pokud se používá uhlíkový filtr, je s vaším spotřebičem dodáván usměrňovač proudu vzduchu, jehož účelem je opětovné uvolnění vzduchu, vyčištěného uhlíkovým filtrem, z děrované oblasti na kouřovodu. Nainstalujte usměrňovač proudu vzduchu dle níže uvedeného postupu.



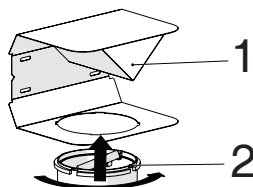
(Obr. č. 14)

Uprostřed desky pro připojení kouřovodu je příchytka. Umístěte střed této příchytky na čáru, která je nakreslena kolmo ke stěně. Vyrovnejte vodorovně a pomocí tužky označte otvory, kde bude upevněna deska pro připojení (obrázek č. 14/A, B).

Vyvrtejte označené body vrtákem o $\varnothing 6$ mm a do vyvrtaných otvorů vložte dvě plastové hmoždinky o $\varnothing 6$ mm (obrázek č. 14/A, B).

Desku pro připojení kouřovodu připevněte ke stěně pomocí šroubů 3,9x22 (obrázek č. 14/A, B).

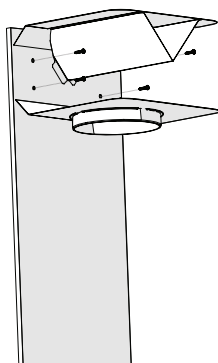
Při instalaci usměrňovače proudu vzduchu vyvrtejte body C, D, E, F vrtákem $\varnothing 6$ mm vložte plastové hmoždinky $\varnothing 6$ mm (obrázek č. 14).



(Obr. č. 15)

- 1- usměrňovač proudu vzduchu
- 2- plastový kouřovod

Připevněte plastový adaptér kouřovodu, který je součástí balení, ve směru usměrňovače proudu vzduchu. Uzamkněte adaptér kouřovodu otočením ve směru šipky (obrázek č. 15).

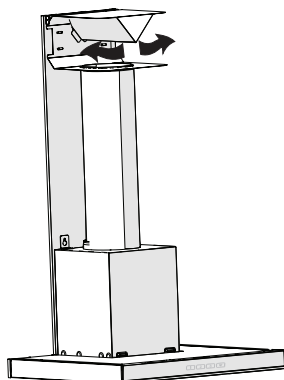


(Obr. č. 16)

Nainstalujte skupinu usměrňovače proudu vzduchu pomocí šroubů 3,9x22 z bodů C, D, E, F, které jste již připravili (obrázek č. 14).

Nainstalujte těleso digestoře (strana 12 / obrázek č. 7).

5 Instalace spotřebiče



(Obr. č. 17)

1- hliníkové potrubí odvodu vzduchu
Proved'te instalaci potrubí odvodu vzduchu (obrázek č. 17).



Protože zákruty a ohyby v hliníkové potrubí povedou ke snížení sacího výkonu vzduchu, vyhněte se používání zákrutů a ohybů, jak je to jen možné.

Proved'te instalaci dešek kouřovodu digestoře (strana 13 / obrázek č. 13)

6 Řešení problémů

Řešení problémů	Hlavní příčina	Rada
Spotřebič nefunguje.	Zkontrolujte pojistky.	Pojistka může být spálena, proveďte kontrolu a výměnu.
Spotřebič nefunguje.	Zkontrolujte elektrické připojení.	Síťové napětí musí být v rozmezí 220 až 240 V.
Spotřebič nefunguje.	Zkontrolujte elektrické připojení.	Zkontrolujte, zda funguje jiný spotřebič ve vaší kuchyni.
Světlo osvětlení nefunguje.	Zkontrolujte elektrické připojení.	Síťové napětí musí být v rozmezí 220 až 240 V.
Světlo osvětlení nefunguje.	Zkontrolujte spínač osvětlení.	Přepínač osvětlení musí být v poloze „zapnuto“.
Světlo osvětlení nefunguje.	Zkontrolujte žárovky.	Žárovky spotřebiče musí svítit.
Přívod vzduchu do spotřebiče je nedostatečný.	Zkontrolujte hliníkový filtr.	Za normálních provozních podmínek se musí hliníkový olejový filtr čistit nejméně jednou za měsíc.
Přívod vzduchu do spotřebiče je nedostatečný.	Zkontrolujte odtah vzduchu do kouřovodu.	Odtah vzduchu do kouřovodu musí být v poloze „zapnuto“.
Přívod vzduchu do spotřebiče je nedostatečný.	Zkontrolujte uhlíkový filtr.	Filtry spotřebičů s uhlíkovými filtry se musí za normálních podmínek vyměňovat jednou za 3 měsíce.



Arçelik A.Ş. Karaağaç Caddesi No:2-6,
34445, Sütüce / İSTANBUL

www.beko.com

Free Manuals Download Website

<http://myh66.com>

<http://usermanuals.us>

<http://www.somanuals.com>

<http://www.4manuals.cc>

<http://www.manual-lib.com>

<http://www.404manual.com>

<http://www.luxmanual.com>

<http://aubethermostatmanual.com>

Golf course search by state

<http://golfingnear.com>

Email search by domain

<http://emailbydomain.com>

Auto manuals search

<http://auto.somanuals.com>

TV manuals search

<http://tv.somanuals.com>