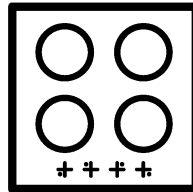
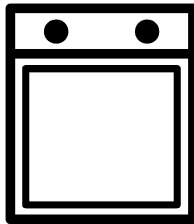




Built-in Oven
User Manual
Four Encastrable
Manuel d'utilisation



BQE223SX

EN / FR

285.4486.90/R.AC/11.01.2021/2-1

7718186316

Please read this user manual first!

Dear Customer,

Thank you for purchasing this Beko product. We hope that you get the best results from your product which has been manufactured with high quality and state-of-the-art technology. Therefore, please read this entire user manual and all other accompanying documents carefully before using the product and keep it as a reference for future use. If you handover the product to someone else, give the user manual as well. Follow all warnings and information in the user manual.

Remember that this user manual is also applicable for several other models. Differences between models will be identified in the manual.

Explanation of symbols

Throughout this user manual the following symbols are used:



Important information or useful hints about usage.



Warning of hazardous situations with regard to life and property.



Warning of electric shock.



Warning of risk of fire.



Warning of hot surfaces.



Arçelik A.Ş.
Karaağaç caddesi No:2-6
34445 Sütlüce/İstanbul/TURKEY
Made in TURKEY

This product was manufactured using the latest technology in environmentally friendly conditions.

TABLE OF CONTENTS

1 Important instructions and warnings for safety and environment 4

General safety	4
Electrical safety	5
Product safety	6
Intended use	8
Safety for children	8
Disposing of the old product	8
Package information	9

2 General information 10

Overview	10
Package contents	11
Technical specifications	12

3 Installation 13

Before installation	13
Installation and connection	15
Future Transportation	17

4 Preparation 18

Tips for saving energy	18
Initial use	18
First cleaning of the appliance	18
Initial heating	18

5 How to operate the oven 19

General information on baking, roasting and grilling	19
How to operate the electric oven	20
Operating modes	20
Cooking times table	21
How to operate the grill	23
Cooking times table for grilling	23

6 Maintenance and care 24

General cleaning information	24
Cleaning the accessories	25
Cleaning the control panel	25
Cleaning the inside of the oven (cooking area)	25
Cleaning the oven door	26
Removing the door inner glass	27
Cleaning the oven lamp	28

7 Troubleshooting 30

1 Important instructions and warnings for safety and environment

This section contains safety instructions that will help protect from risk of personal injury or property damage. Failure to follow these instructions shall void any warranty.

General safety

- This appliance can be used by children aged from 8 years and above and persons with reduced physical, sensory or mental capabilities or lack of experience and knowledge if they have been given supervision or instruction concerning use of the appliance in a safe way and understand the hazards involved.
Children shall not play with the appliance. Cleaning and user maintenance shall not be made by children without supervision.
- The appliance is not to be used by persons (including children) with reduced physical, sensory or mental capabilities, or lack of experience and knowledge, unless they have been given supervision or instruction. Children should be supervised and ensure they do not play with the appliance
- If the product is handed over to someone else for personal use or second-hand use purposes, the user manual, product labels and other relevant documents and parts should be also given.
- Installation and repair procedures must always be performed by Authorised Service Agents. The manufacturer shall not be held responsible for damages arising from procedures carried out by unauthorised persons which may also void the warranty. Before installation, read the instructions carefully.
- Do not operate the product if it is defective or has any visible damage.
- Ensure that the product function knobs are switched off after every use.

Electrical safety

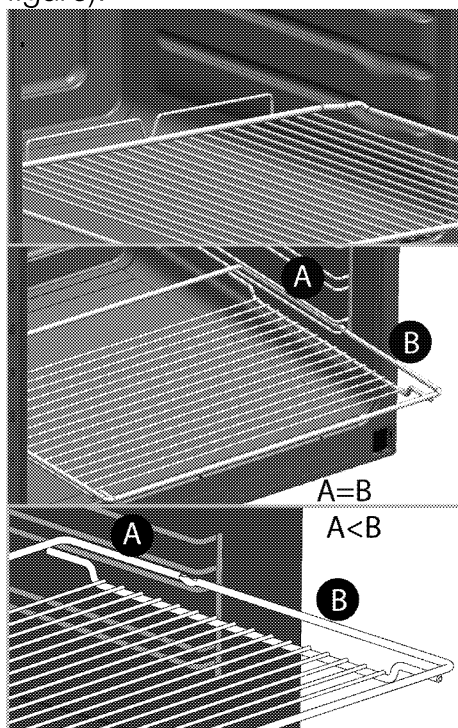
- If the product has a failure, it should not be operated unless it is repaired by an Authorised Service Agent. There is the risk of electric shock!
- Only connect the product to a grounded outlet/line with the voltage and protection as specified in the “Technical specifications”. Have the grounding installation made by a qualified electrician while using the product with or without a transformer. Our company shall not be liable for any problems arising due to the product not being earthed in accordance with the local regulations.
- Never wash the product by spreading or pouring water onto it! There is the risk of electric shock!
- Never touch the plug with wet hands! Never unplug by pulling on the cable, always pull out by holding the plug.
- The product must be disconnected during installation, maintenance, cleaning and repairing procedures.
- If the power connection cable for the product is damaged, it must be replaced by the manufacturer, its service agent or similarly qualified persons in order to avoid a hazard.
- The appliance must be installed so that it can be completely disconnected from the mains supply. The separation must be provided by a switch built into the fixed electrical installation, according to construction regulations.
- Rear surface of the oven gets hot when it is in use. Make sure that the electrical connection does not contact with the rear surface; otherwise, connections can get damaged.
- Do not trap the mains cable between the oven door and frame and do not route it over hot surfaces. Otherwise, cable insulation may melt and cause fire as a result of short circuit.
- Any work on electrical equipment and systems should only be carried out by authorised and qualified persons.

- In case of any damage, switch off the product and disconnect it from the mains. To do this, turn off the fuse at home.
- Make sure that fuse rating is compatible with the product.

Product safety

- **WARNING:** The appliance and its accessible parts become hot during use. Care should be taken to avoid touching heating elements. Children less than 8 years of age shall be kept away unless continuously supervised.
- Never use the product when your judgment or coordination is impaired by the use of alcohol and/or drugs.
- Be careful when using alcoholic drinks in your dishes. Alcohol evaporates at high temperatures and may cause fire since it can ignite when it comes into contact with hot surfaces.
- Food Poisoning Hazard: Do not let food sit in oven for more than 1 hour before or after cooking. Doing so can result in food poisoning or sickness.
- Do not place any flammable materials close to the product as the sides may become hot during use.
- During use the appliances becomes hot. Care should be taken to avoid touching heating elements inside the oven.
- Keep all ventilation slots clear of obstructions.
- Do not heat closed tins and glass jars in the oven. The pressure that would build-up in the tin/jar may cause it to burst.
- Do not place baking trays, dishes or aluminium foil directly onto the bottom of the oven. The heat accumulation might damage the bottom of the oven.
- Do not use harsh abrasive cleaners or sharp metal scrapers to clean the oven door glass since they can scratch the surface, which may result in shattering of the glass.
- Do not use steam cleaners to clean the appliance as this may cause an electric shock.

- (Varies depending on the product model.)
Placing the wire shelf and tray onto the wire racks properly
It is important to place the wire shelf and/or tray onto the rack properly. Slide the wire shelf or tray between 2 rails and make sure that it is balanced before placing food on it (Please see the following figure).



- Do not use the product if the front door glass is removed or cracked.

- Always use heat resistant oven gloves when putting in or removing dishes into/from the hot oven.
- Place the baking paper into the cooking pot or on to the oven accessory (tray, wire grill etc) together with the food and then insert all into the preheated oven. Remove the excess parts of the baking paper overflowing from the accessory or the pot in order to prevent the risk of touching the oven's heating elements. Never use the baking paper in an operating temperature higher than the indicated value for the baking paper. Do not place the baking paper directly on the base of the oven.
- **WARNING:** Ensure that power cord of the appliance is unplugged or circuit breaker is switched off before replacing the lamp to avoid the possibility of electric shock.
- The appliance must not be installed behind a decorative door in order to avoid overheating.

Prevention against possible fire risk!

- Ensure all electrical connections are secure and tight to prevent risk of arcing.
- Do not use damaged cables or extension cables.
- Ensure liquid or moisture is not accessible to the electrical connection point.

Intended use

- This product is designed for domestic use. Commercial use will void the guarantee.
- **CAUTION:** This appliance is for cooking purposes only. It must not be used for other purposes, for example room heating.
- This product should not be used for warming the plates under the grill, drying towels, dish cloths etc. by hanging them on the oven door handles. This product should also not be used for room heating purposes.
- The manufacturer shall not be liable for any damage caused by improper use or handling errors.
- The oven can be used for defrosting, baking, roasting and grilling food.

Safety for children

- **WARNING:** Accessible parts may become hot during use. Young children should be kept away.
- The packaging materials will be dangerous for children. Keep the packaging materials away from children. Please dispose of all parts of the packaging according to environmental standards.
- Electrical products are dangerous to children. Keep children away from the product when it is operating and do not allow them to play with the product.
- Do not place any items above the appliance that children may reach for.
- When the door is open, do not load any heavy object on it and do not allow children to sit on it. It may overturn or door hinges may get damaged.

Disposing of the old product

Compliance with the WEEE Directive and Disposing of the Waste Product:



This product complies with EU WEEE Directive (2012/19/EU). This product bears a classification symbol for waste

electrical and electronic equipment (WEEE).

This product has been manufactured with high quality parts and materials which can be reused and are suitable for recycling. Do not dispose of the waste product with normal domestic and other wastes at the end of its service life. Take it to the collection center for the recycling of electrical and electronic equipment. Please consult your local authorities to learn about these collection centers.

Compliance with RoHS Directive:

The product you have purchased complies with EU RoHS Directive

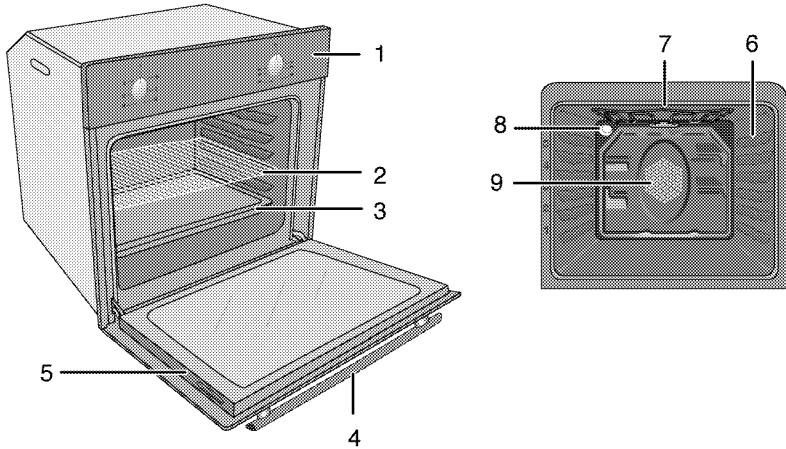
(2011/65/EU). It does not contain harmful and prohibited materials specified in the Directive.

Package information

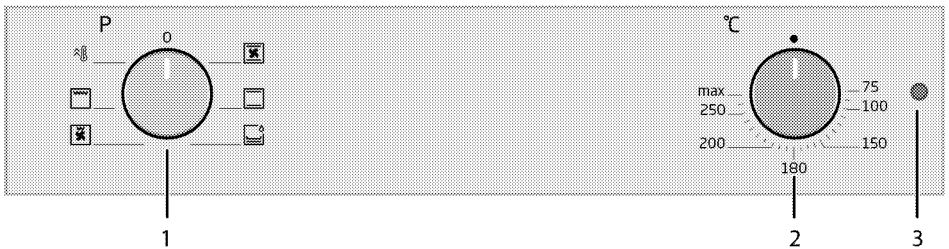
- Packaging materials of the product are manufactured from recyclable materials in accordance with our National Environment Regulations. Do not dispose of the packaging materials together with the domestic or other wastes. Take them to the packaging material collection points designated by the local authorities.

2 General information

Overview



- 1 Control panel
- 2 Wire shelf
- 3 Tray
- 4 Handle
- 5 Door
- 6 Shelf positions
- 7 Top heating element
- 8 Lamp
- 9 Fan motor (behind steel plate)



- 1 Function knob
- 2 Thermostat knob
- 3 Thermostat lamp

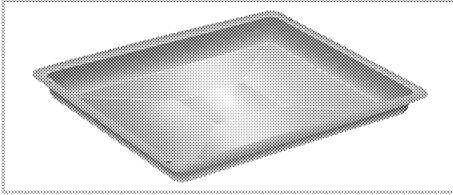
Package contents

i Accessories supplied can vary depending on the product model. Not every accessory described in the user manual may exist on your product.

1. User manual

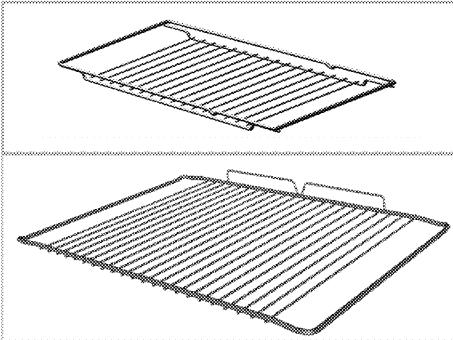
2. Standard tray

Used for pastries, frozen foods and big roasts.



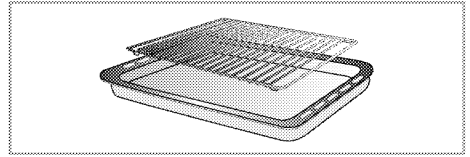
3. Wire grill

Used for roasting and for placing the food to be baked, roasted or cooked in casserole dishes to the desired rack.



4. Small wire shelf

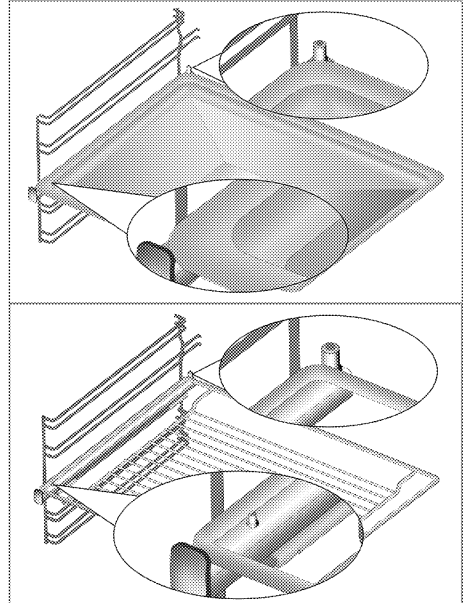
It is placed into the tray (if supplied) in order to collect the dripping fat while grilling so that the oven is kept clean.



5. Placing the wire shelf and tray onto the telescopic racks properly (This feature is optional. It may not exist on your product.)

Telescopic racks allow you to install and remove the trays and wire shelf easily.

When using the tray and wire shelf with telescopic racks, make sure that the pins at the rear section of the telescopic rack stands against the edges of the wire shelf and tray.



Technical specifications

Voltage / frequency	220-240 V ~ 50 Hz
Total power consumption	2.4 kW
Cable type / section	min.H05VV-FG 3 x 1,5 mm ²
External dimensions (height / width / depth)	595 mm/594 mm/567 mm
Installation dimensions (height / width / depth)	**590 or 600 mm/560 mm/min. 550 mm
Main oven	Multifunction oven
Inner lamp	15/25 W
Grill power consumption	2.2 kW

Basics: Information on the energy label of electrical ovens is given in accordance with the EN 60350-1 / IEC 60350-1 standard. Those values are determined under standard load with bottom-top heater or fan assisted heating (if any) functions.

Energy efficiency class is determined in accordance with the following prioritization depending on whether the relevant functions exist on the product or not. 1-Cooking with eco-fan, 2- Turbo slow cooking, 3- Turbo cooking, 4- Fan assisted bottom/top heating, 5-Top and bottom heating.

** See. *Installation*, page 13.



Technical specifications may be changed without prior notice to improve the quality of the product.




Figures in this manual are schematic and may not exactly match your product.





Values stated on the product labels or in the documentation accompanying it are obtained in laboratory conditions in accordance with relevant standards. Depending on operational and environmental conditions of the product, these values may vary.

3 Installation

Product must be installed by a qualified person in accordance with the regulations in force. The manufacturer shall not be held responsible for damages arising from procedures carried out by unauthorized persons which may also void the warranty.

 Preparation of location and electrical installation for the product is under customer's responsibility.

 The product must be installed in accordance with all local electrical regulations.

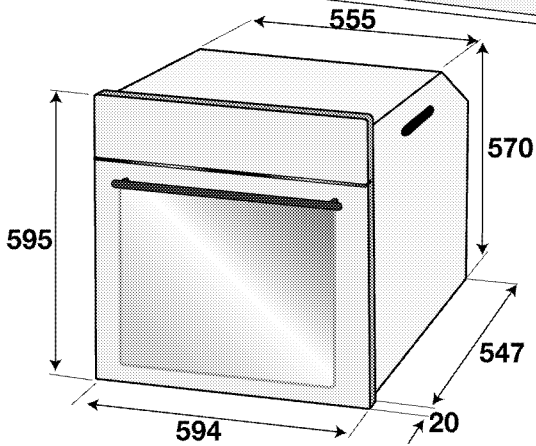
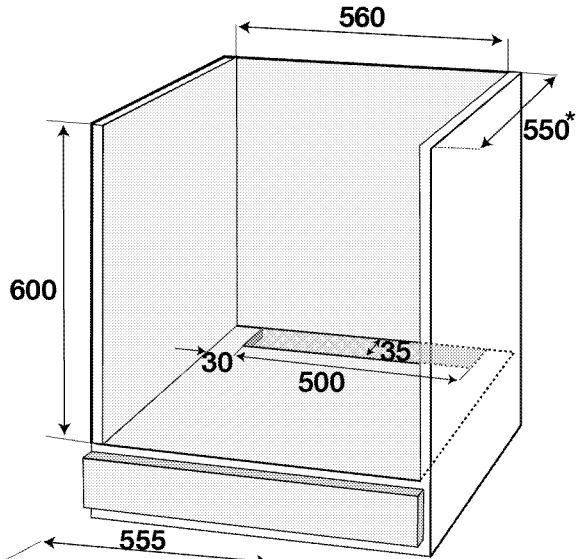
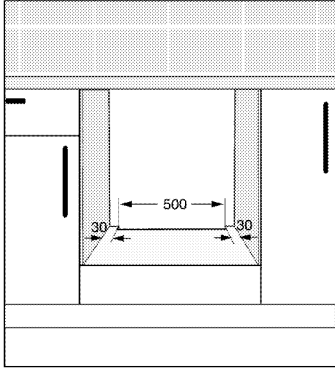
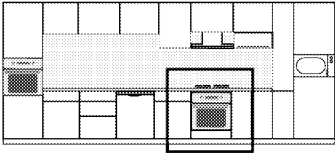
 Prior to installation, visually check if the product has any defects on it. If so, do not have it installed. Damaged products cause risks for your safety.

Before installation

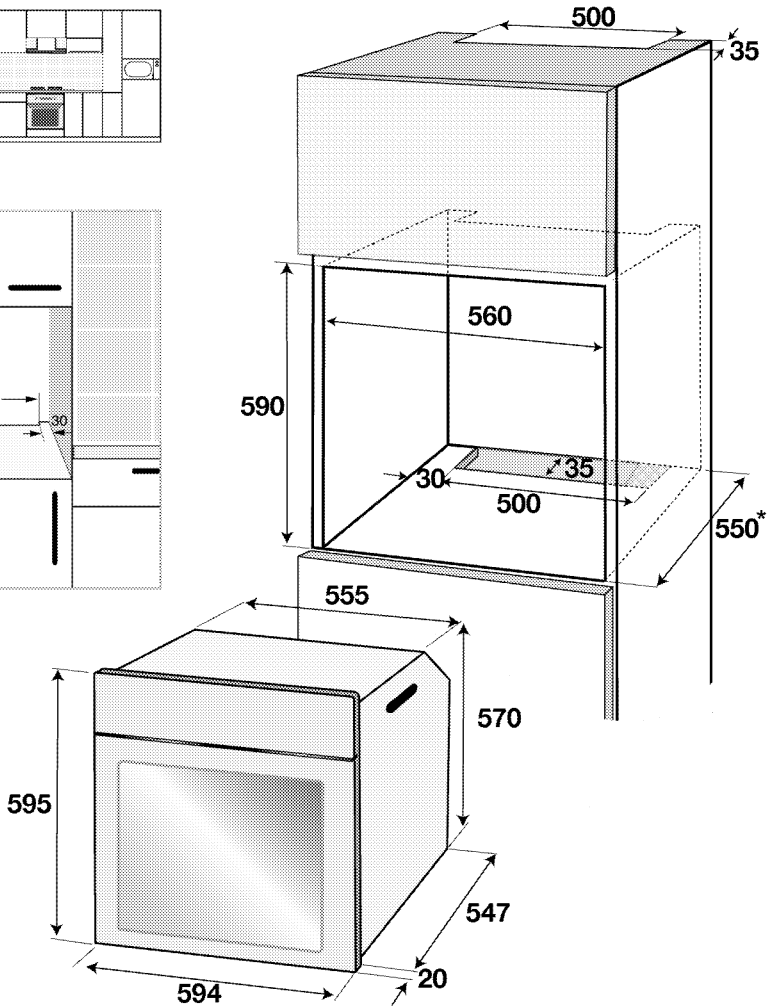
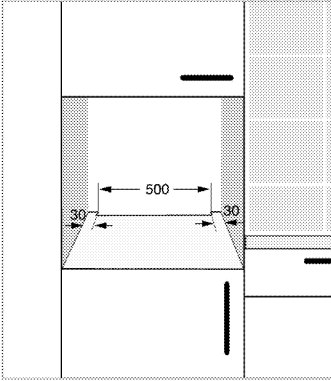
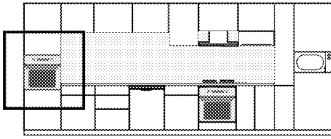
The appliances must not be installed behind a decorative door in order to avoid overheating.

The appliance is intended for installation in commercially available kitchen cabinets. A safety distance must be left between the appliance and the kitchen walls and furniture. See figure (values in mm).

- Surfaces, synthetic laminates and adhesives used must be heat resistant (100 °C minimum).
- Kitchen cabinets must be set level and fixed.
- If there is a drawer beneath the oven, a shelf must be installed in order to separate from the oven and drawer.
- Carry the appliance with at least two persons.
- Hold the oven from the slots for handling on both sides to move it.
- Before installing the product, remove all materials and documents inside.
- Kitchen furniture must be in compliance with the dimensions given in the figure below. At the rear section of the kitchen furniture, an opening must be cut out with the dimensions given in the figure below to ensure sufficient ventilation.
-  Do not install the appliance next to refrigerators or freezers. The heat emitted by the appliance will lead to an increased energy consumption of cooling appliances.
-  The door and/or handle must not be used for lifting or moving the appliance.



* min.



* min.

Installation and connection

- The product must be installed in accordance with all local gas and electrical regulations.

Electrical connection

Connect the product to a grounded outlet/line protected by a miniature circuit breaker of suitable capacity as stated in the "Technical specifications" table. Have the grounding installation

made by a qualified electrician while using the product with or without a transformer. Our company shall not be liable for any damages that will arise due to using the product without a grounding installation in accordance with the local regulations.

! The product must be connected to the mains supply only by an authorised and qualified person. The product's warranty period starts only after correct installation.

Manufacturer shall not be held responsible for damages arising from procedures carried out by unauthorised persons.

! The power cable must not be clamped, bent or trapped or come into contact with hot parts of the product.

A damaged power cable must be replaced by a qualified electrician. Otherwise, there is risk of electric shock, short circuit or fire!

- Connection must comply with national regulations.
- The mains supply data must correspond to the data specified on the type label of the product. Open the front door to see the type label.
- Power cable of your product must comply with the values in "Technical specifications" table.

! Before starting any work on the electrical installation, disconnect the product from the mains supply.

There is the risk of electric shock!

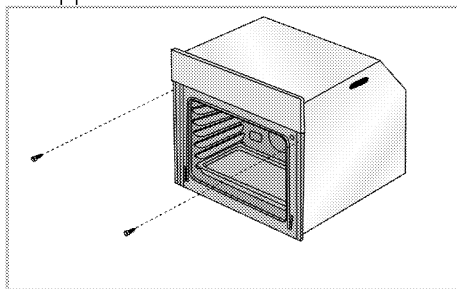
i Power cable plug must be within easy reach after installation (do not route it above the hob).

i While performing the wiring, you must apply with the national/local electrical regulations and must use the appropriate socket outlet/line and plug for oven. In case of the product's power limits are out of current carrying capability of plug and socket outlet/line, the product must be connected through fixed electrical installation directly without using plug and socket outlet/line.

Plug the power cable into the socket.

Installing the product

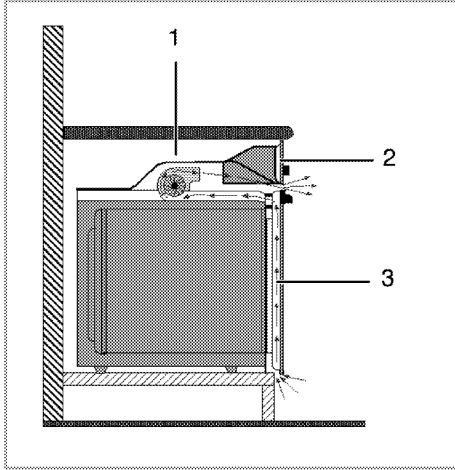
1. Slide the oven into the cabinet, align and secure it while making sure that the power cable is not broken and/or trapped.



Secure the oven with 2 screws as illustrated.

After the installation, make sure that the screws are sufficiently tightened and the oven does not move. Oven may tip over during use if it is not installed as per the instructions and if the screws are not sufficiently tightened.

For products with cooling fan (This may not exist on your product.)



- 1 Cooling fan
- 2 Control panel
- 3 Door

The built-in cooling fan cools both the built-in cabinet and the front of the product.

- i** Cooling fan continues to operate for about 20-30 minutes after the oven is switched off.

Final check

1. Operate the product.
2. Check the functions.

Future Transportation

- Keep the product's original carton and transport the product in it. Follow the instructions on the carton. If you do not have the original carton, pack the product in bubble wrap or thick cardboard and tape it securely.
- To prevent the wire grill and tray inside the oven from damaging the oven door, place a strip of cardboard onto the inside of the oven door that lines up with the position of the trays. Tape the oven door to the side walls.
- Do not use the door or handle to lift or move the product.
- i** Do not place any objects onto the product and move it in upright position.
- i** Check the general appearance of your product for any damages that might have occurred during transportation.

4 Preparation


Tips for saving energy

The following information will help you to use your appliance in an ecological way, and to save energy:

- Use dark coloured or enamel coated cookware in the oven since the heat transmission will be better.
- While cooking your dishes, perform a preheating operation if it is advised in the user manual or cooking instructions.
- Do not open the door of the oven frequently during cooking.
- Try to cook more than one dish in the oven at the same time whenever possible. You can cook by placing two cooking vessels onto the wire shelf.
- Cook more than one dish one after another. The oven will already be hot.
- You can save energy by switching off your oven a few minutes before the end of the cooking time. Do not open the oven door.
- Defrost frozen dishes before cooking them.

Initial use

First cleaning of the appliance

-  The surface might get damaged by some detergents or cleaning materials.
Do not use aggressive detergents, cleaning powders/creams or any sharp objects during cleaning.
Do not use harsh abrasive cleaners or sharp metal scrapers to clean the oven door glass since they can scratch the surface, which may result in shattering of the glass.

1. Remove all packaging materials.

2. Wipe the surfaces of the appliance with a damp cloth or sponge and dry with a cloth.

Initial heating

Heat up the product for about 30 minutes and then switch it off. Thus, any production residues or layers will be burnt off and removed.



Hot surfaces cause burns!

Product may be hot when it is in use. Never touch the hot burners, inner sections of the oven, heaters and etc. Keep children away. Always use heat resistant oven gloves when putting in or removing dishes into/from the hot oven.

Electric oven

1. Take all baking trays and the wire grill out of the oven.
2. Close the oven door.
3. Select Static position.
4. Select the highest grill power; See *How to operate the electric oven, page 20*.
5. Operate the oven for about 30 minutes.
6. Turn off your oven; See *How to operate the electric oven, page 20*

Grill oven

1. Take all baking trays and the wire grill out of the oven.
2. Close the oven door.
3. Select the highest grill power; see *How to operate the grill, page 23*.
4. Operate the grill about 15 minutes.
5. Turn off your grill; see *How to operate the grill, page 23*



Smoke and smell may emit for a couple of hours during the initial operation. This is quite normal. Ensure that the room is well ventilated to remove the smoke and smell. Avoid directly inhaling the smoke and the smell that emits.

5 How to operate the oven

General information on baking, roasting and grilling



Hot surfaces cause burns! Product may be hot when it is in use. Never touch the hot burners, inner sections of the oven, heaters and etc. Keep children away. Always use heat resistant oven gloves when putting in or removing dishes into/from the hot oven.



Be careful when opening the oven door as steam may escape. Exiting steam can scald your hands, face and/or eyes.

Tips for baking

- Use non-sticky coated appropriate metal plates or aluminum vessels or heat-resistant silicone moulds.
- Make best use of the space on the rack.
- Place the baking mould in the middle of the shelf.
- Select the correct rack position before turning the oven or grill on. Do not change the rack position when the oven is hot.
- Keep the oven door closed.

Tips for roasting

- Treating whole chicken, turkey and large piece of meat with dressings such as lemon juice and black pepper before cooking will increase the cooking performance.
- It takes about 15 to 30 minutes longer to roast meat with bones when compared to roasting the same size of meat without bones.
- Each centimeter of meat thickness requires approximately 4 to 5 minutes of cooking time.

- Let meat rest in the oven for about 10 minutes after the cooking time is over. The juice is better distributed all over the roast and does not run out when the meat is cut.
- Fish should be placed on the middle or lower rack in a heat-resistant plate.

Tips for grilling

When meat, fish and poultry are grilled, they quickly get brown, have a nice crust and do not get dry. Flat pieces, meat skewers and sausages are particularly suited for grilling as are vegetables with high water content such as tomatoes and onions.

- Distribute the pieces to be grilled on the wire shelf or in the baking tray with wire shelf in such a way that the space covered does not exceed the size of the heater.
- Slide the wire shelf or baking tray with grill into the desired level in the oven. If you are grilling on the wire shelf, slide the baking tray to the lower rack to collect fats. Add some water in the tray for easy cleaning.



Foods that are not suitable for grilling carry the risk of fire. Only grill food which is suitable for intensive grilling heat. Do not place the food too far in the back of the grill. This is the hottest area and fatty food may catch fire.

How to operate the electric oven

Select temperature and operating mode



1 Function knob

2 Thermostat knob

1. Set the Function knob to the desired operating mode.

2. Set the Temperature knob to the desired temperature.

» Oven heats up to the adjusted temperature and maintains it. During heating, temperature lamp stays on.

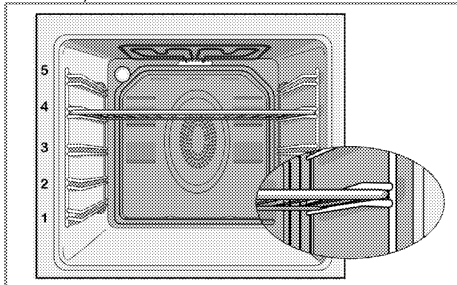
Switching off the electric oven

Turn the function knob and temperature knob to off (upper) position.

Rack positions (For models with wire shelf)

It is important to place the wire shelf onto the side rack correctly. Wire shelf must be inserted between the side racks as illustrated in the figure.

Do not let the wire shelf stand against the rear wall of the oven. Slide your wire shelf to the front section of the rack and settle it with the help of the door in order to obtain a good grill performance. (Varies depending on the product model.)



Operating modes

The order of operating modes shown here may be different from the arrangement on your product.

Top and bottom heating



Top and bottom heating are in operation. Food is heated simultaneously from the top and bottom. For example, it is suitable for cakes, pastries, or cakes and casseroles in baking moulds. Cook with one tray only.

Bottom heating



Only bottom heating is in operation. It is suitable for pizza and for subsequent browning of food from the bottom.



This function must be used for easy steam cleaning as well.

Fan supported bottom/top heating



Top heating, bottom heating plus fan (in the rear wall) are in operation. Hot air is evenly distributed throughout the oven rapidly by means of the fan. Cook with one tray only.

Full grill



Large grill at the ceiling of the oven is in operation. It is suitable for grilling large amount of meat.

- Put big or medium-sized portions in correct rack position under the grill heater for grilling.
- Turn the food after half of the grilling time.

Grill+Fan



Grilling effect is not as strong as in Full Grill

- Put small or medium-sized portions in correct shelf position under the grill heater for grilling.
- Turn the food after half of the grilling time.

Booster



This function is used to heat the oven rapidly; it is not suitable for cooking food.

- Select the desired temperature after selecting this function. Temperature light turns on and oven is heated.
- Light turns off after the heating process is completed. Now select the desired function to cook your food.



Cooking times table

i The timings in this chart are meant as a guide. Timings may vary due to temperature of food, thickness, type and your own preference of cooking.

Baking and roasting

i 1st rack of the oven is the **bottom** rack.

Dish	Cooking level number	Accessory to use	Operating mode	Rack position	Temperature (°C)	Cooking time (approx. in min.)
Cakes in tray	One level	Standard tray*		3	180	25 ... 30
Cakes in mould	One level	Cake mold on wire grill**		2	180	40 ... 50
Small cakes	One level	Standard tray*		3	160	25 ... 35
Sponge cake	One level	Round springform pan with a diameter of 26 cm on wire grill**		3	160	25 ... 35
Cookies	One level	Pastry tray*		3	180	25 ... 30
Dough pastry	One level	Standard tray*		2	200	30 ... 40
Rich pastry	One level	Standard tray*		2	200	25 ... 35
Leaven	One level	Standard tray*		2	200	35 ... 45
Lasagna	One level	Glass/metal rectangular pan on wire grill**		2 - 3	200	30 ... 40
Pizza	One level	Standard tray*		2	200 ... 220	15 ... 20
Beef steak (whole) / Roast	One level	Standard tray*		3	25 min. 250/max, then 180 ... 190	100 ... 120
Leg of Lamb (casserole)	One level	Standard tray*		3	25 min. 220 then 180 ... 190	70 ... 90
Roasted chicken (1,8-2 kg)	One level	Standard tray*		2	15 min. 250/max, then 180 ... 190	60 ... 80

Dish	Cooking level number	Accessory to use	Operating mode	Rack position	Temperature (°C)	Cooking time (approx. in min.)
Turkey (5.5 kg)	One level	Standard tray*		1	25 min. 250/max, then 180 ... 190	150 ... 210
Fish	One level	Standard tray*		3	200	20 ... 30





It is suggested to perform preheating for all foods.

* These accessories may not be supplied with the product.

** These accessories are not supplied with the product. They are commercially available accessories.

Cooking table for test meals

Meals in this cooking table are prepared according to EN 60350-1 to make it easier for control institutes to test the product.

Dish	Cooking level number	Accessory to use	Operating mode	Rack position	Temperature (°C)	Cooking time (approx. in min.)
Shortbread	One level	Standard tray*		3	140	20 ... 30
Small cakes	One level	Standard tray*		3	160	25 ... 35
Sponge cake	One level	Round springform pan with a diameter of 26 cm on wire grill**		3	160	25 ... 35
Apple pie	One level	Round black metal dish with a diameter of 20 cm on wire grill**		2	180	50 ... 60

It is suggested to perform preheating for all foods.

* These accessories may not be supplied with the product.

** These accessories are not supplied with the product. They are commercially available accessories.

Tips for baking cake

- If the cake is too dry, increase the temperature by 10°C and decrease the cooking time.
- If the cake is wet, use less liquid or lower the temperature by 10°C.
- If the cake is too dark on top, place it on a lower rack, lower the temperature and increase the cooking time.
- If cooked well on the inside but sticky on the outside use less liquid, lower the temperature and increase the cooking time.

Tips for baking pastry

- If the pastry is too dry, increase the temperature by 10°C and decrease the cooking time. Dampen the layers of dough with a sauce composed of milk, oil, egg and yoghurt.
- If the pastry takes too long to bake, pay care that the thickness of the

pastry you have prepared does not exceed the depth of the tray.

- If the upper side of the pastry gets browned, but the lower part is not cooked, make sure that the amount of sauce you have used for the pastry is not too much at the bottom of the pastry. Try to scatter the sauce equally between the dough layers and on the top of pastry for an even browning.

i Cook the pastry in accordance with the mode and temperature given in the cooking table. If the bottom part is still not browned enough, place it on one lower rack next time.

Tips for cooking vegetables

- If the vegetable dish runs out of juice and gets too dry, cook it in a pan with a lid instead of a tray. Closed vessels will preserve the juice of the dish.

- If a vegetable dish does not get cooked, boil the vegetables beforehand or prepare them like canned food and put in the oven.

How to operate the grill



Close oven door during grilling.
Hot surfaces may cause burns!

Switching on the grill

1. Turn the Function knob to the desired grill symbol.
2. Then, select the desired grilling temperature.

3. If required, perform a preheating of about 5 minutes.

» Temperature light turns on.

Switching off the grill

1. Turn the Function knob to Off (top) position.



Foods that are not suitable for grilling carry the risk of fire.

Only grill food which is suitable for intensive grilling heat.

Do not place the food too far in the back of the grill. This is the hottest area and fatty food may catch fire.

Cooking times table for grilling

Grilling with electric grill

Food	Accessory to use	Rack position	Recommended temperature (°C)**	Cooking time (approx. in min.)
Fish	Wire grill	4...5	250	20...25 min. #
Sliced chicken	Wire grill	4...5	250	25...35 min.
Lamb chops	Wire grill	4...5	250	20...25 min.
Roast beef	Wire grill	4...5	250	25...30 min. #
Veal chops	Wire grill	4...5	250	25...30 min. #
Toast bread*	Wire grill	4	250	1...3 min.

#depending on thickness

*Preheat for 5 minutes

**If the grill temperature of your product cannot be adjusted, the grill will work at the recommended temperature.

Meals in this cooking table are prepared according to EN 60350-1 to make it easier for control institutes to test the product.

Food	Accessory to use	Rack position	Temperature (°C)	Cooking time (approx. in min.)
Toast bread	Wire grill	4	250	1...3 min.
Meatballs (beef) - 12 pieces	Wire grill	4	250	25...35 min.

Turn the food after 2/3 of the total grilling time.

It is suggested to perform 5 minutes preheating for all foods broiling.

6 Maintenance and care

General cleaning information

⚠ General warnings

- Wait for the product to cool before cleaning the product. Hot surfaces may cause burns!
- Do not apply the detergents directly on the hot surfaces. This may cause a permanent stains.
- The appliance shall be thoroughly cleaned and dried after each operation. Thus, food residues shall be easily cleaned and these residues shall be prevented from burning when the appliance is used again later. Thus, the service life of the appliance extends and frequently faced problems are decreased.
- Do not use steam cleaning products for cleaning.
- Some detergents or cleaning agents may damage the surface. Do not use abrasive detergents, cleaning powders, cleaning creams, descalers or sharp objects during cleaning.
- There is no need for a special cleaning agent for cleaning after each use. Clean the appliance using dish soap, warm water and a soft cloth or sponge and dry with a dry microfiber cloth.
- Be sure to completely wipe off any remaining liquid after cleaning and immediately clean any food splashing around during cooking.
- Do not wash any component of your appliance in a dishwasher.

Inox and stainless surfaces

- Do not use acid or chlorine-containing cleaning agents to clean stainless or inox surfaces and handles.

- Stainless or inox surface may change colour in time. This is normal. After each operation, clean with a detergent suitable for the stainless or inox surface.
- Clean with a soft soapy cloth and liquid (non-scratching) detergent suitable for inox surfaces, taking care to wipe in one direction.
- Remove lime, oil, starch, milk and protein stains on the inox-stainless and glass surfaces immediately without waiting. Stains may rust under long periods of time.

Enamelled surfaces

- After each use, clean the enamel surfaces using dishwashing detergent, warm water and a soft cloth or sponge and dry them with a dry cloth.
- If your product has an easy steam cleaning function, you can make easy steam cleaning for light non-permanent dirt. (See the "Easy steam cleaning" section)
- You may use the Quick&Shine cleaning agents for the oven interiors and grills and non-scratching scouring wire, used on enamelled surfaces and recommended by the authorized service, for persistent stains. Do not use an external oven cleaner.
- The oven must cool down for cleaning in the cooking area. Cleaning on hot surfaces shall create both fire hazard and damage with enamel surface.

Catalytic surfaces

- The side walls in the cooking area can only be covered with enamel or catalytic walls. It varies by model.
- The catalytic walls have a light matte and porous surface. The catalytic walls of the oven should not be cleaned.

- Catalytic surfaces absorb oil thanks to its porous structure and start to shine when the surface is saturated with oil, in this case it is recommended to replace the parts.

Glass surfaces

- When cleaning glass surfaces, do not use hard metal scrapers and abrasive cleaning materials. They can damage the glass surface.
- Clean the appliance using dishwashing detergent, warm water and a microfiber cloth specific for glass surfaces and dry it with a dry microfiber cloth.
- If there is residual detergent after cleaning, wipe it with cold water and dry with a clean and dry microfiber cloth. Residual detergent residue may damage the glass surface next time.
- Under no circumstances should the dried-up residue on the glass surface be cleaned off with serrated knives, wire wool or similar scratching tools.
- You can remove the calcium stains (yellow stains) on the glass surface with the commercially available descaling agent, with a descaling agent such as vinegar or lemon juice.
- If the surface is heavily soiled, apply the cleaning agent on the stain with a sponge and wait a long time for it to work properly. Then clean the glass surface with a wet cloth.
- Discolorations and stains on the glass surface are normal and not defects.

Plastic parts and painted surfaces

- Clean plastic parts and painted surfaces using dishwashing detergent, warm water and a soft cloth or sponge and dry them with a dry cloth.
- Do not use hard metal scrapers and abrasive cleaners. It may damage the surfaces.

- Ensure that the joints of the components of the appliance are not left as damp and with detergent. Otherwise, corrosion may occur on these joints.

Cleaning the accessories

Unless otherwise stated in the user manual, do not wash the product accessories in the dishwasher.

Cleaning the control panel

- When cleaning the panels with knob control, wipe the panel and knobss with a damp soft cloth and dry with a dry cloth. Do not remove the knobs and gaskets underneath to clean the control panel. The control panel and knobs may be damaged.
- While cleaning the inox panels with knob control, do not use inox cleaning agents around the knobs. The indicators around the knobs may be deleted.
- Clean the touch control panels with a damp soft cloth and dry with a dry cloth. If your product has a key lock feature, set the key lock before performing control panel cleaning. Otherwise, incorrect detection may occur on the keys.

Cleaning the inside of the oven (cooking area)

Follow the cleaning steps described in the "General cleaning information" section according to the surface types in your oven.

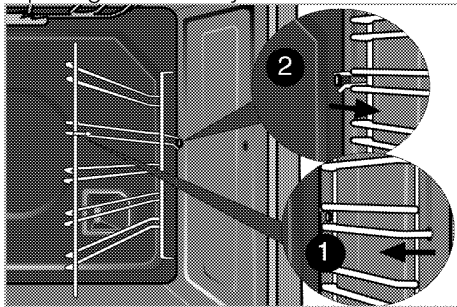
Cleaning the side walls of the oven

The side walls in the cooking area can only be covered with enamel or catalytic walls. It varies by model. If there is a catalytic wall, refer to the "Catalytic walls" section for information. If your product is a side rack model, remove the side racks before cleaning

your side walls. Then complete the cleaning as described in the "General cleaning information" section according to the side wall surface type.

To remove the side racks:(Varies depending on the product model.) (This feature is optional. It may not exist on your product.)

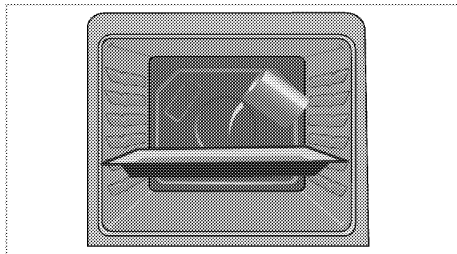
- 1.Remove the front section of the side rack by pulling it in the opposite direction of the side wall.
- 2.Remove the side rack completely by pulling it towards you.



Easy Steam Cleaning

It ensures easy cleaning because the dirt (having waited not for too long) is softened with the steam that forms inside the oven and the water drops condensing on the inner surfaces of the oven.

- 1.Remove all accessories inside the oven.
- 2.Pour 500 ml of water into the oven tray and place the tray at the 2nd rack of the oven.



- 3.Set the oven to easy steam cleaning mode and run at 100°C for 25 minutes.
- 4.Open the door and wipe the inner surfaces of the oven with a damp sponge or cloth.
- 5.Use warm water with washing liquid, a soft cloth or sponge to clean the persistent dirt and wipe it with a dry cloth.

i During the easy steam cleaning mode, water that is placed in the tray to soften lightly formed residues/dirt within the oven cavity will evaporate and condense in the oven cavity and inner glass of the oven door, therefore water may drip when the oven door is opened. Wipe away the condensation as soon as the oven door is opened.

Cleaning the oven door

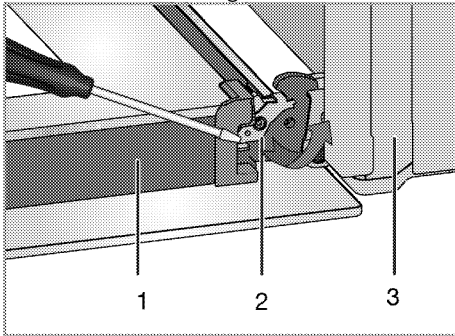
i Do not use harsh abrasive cleaners, metal scrapers, wire wool or bleach materials to clean the oven door and glass.

You can remove your oven door and door glasses to clean them. How to remove the doors and windows is explained in the sections "Removing the oven door" and "Removing the inner glasses of the door". After removing the door inner glasses, clean them using a dishwashing detergent, warm water and a soft cloth or sponge and dry them with a dry cloth. Wipe the glass with vinegar and then rinse it against lime residues that may occur on the oven glass.

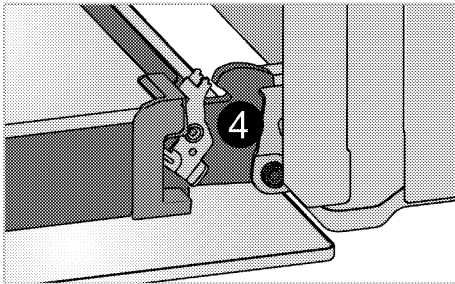
Removing the oven door

- 1.Open the front door (1).
- 2.Open the clips at the hinge housing (2) on the right and left hand sides of the

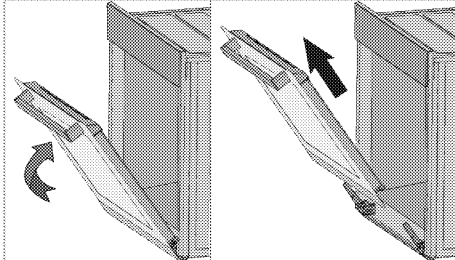
front door by pressing them down as illustrated in the figure.



- 1 Door
- 2 Hinge lock(closed position)
- 3 Oven
- 4 Hinge lock(open position)



3. Move the front door to half-way.



4. Remove the front door by pulling it upwards to release it from the right and left hinges.

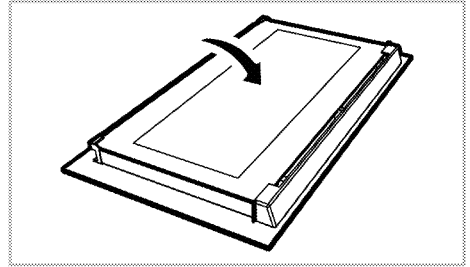
i Steps carried out during removing process should be performed in reverse order to install the door. Do not forget to close the clips at the hinge housing when reinstalling the door.

Removing the door inner glass

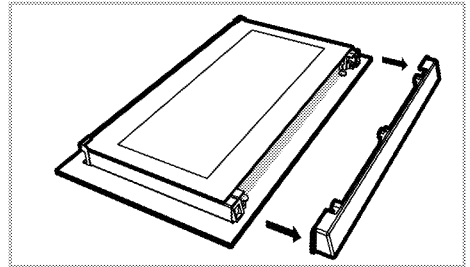
(This feature is optional. It may not exist on your product.)

The inner glass panel of the oven door can be removed for cleaning.

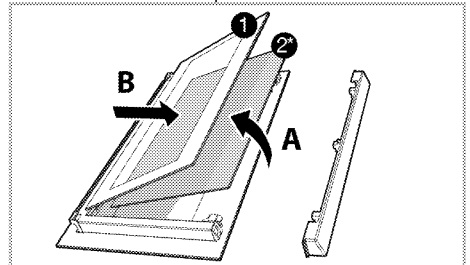
1. Open the oven door.



2. Pull towards yourself and remove the plastic part installed to upper section of the front door.



3. As illustrated in figure, raise the innermost glass panel (1) slightly in direction A and pull it out in direction B.



- 1 Innermost glass panel
- 2* Inner glass panel (This may not exist on your product.)
4. If your product is equipped with an inner glass panel; repeat the same

procedure to remove the inner glass panel (2).

5. The first step to regroup the door is reinstalling inner glass panel (2). Place the chamfered corner of the glass panel so that it will rest in the chamfered corner of the plastic slot. (If your product is equipped with an inner glass panel). Inner glass panel (2) must be installed into the plastic slot close the innermost glass panel (1).
6. When installing the innermost glass panel (1), make sure that the printed side of the panel faces towards the inner glass panel. It is important to seat lower corner of innermost glass panel (1) into the lower plastic slot.
7. Push the plastic part towards the frame until you hear a "click".

Cleaning the oven lamp

In the event that the glass door of the oven lamp in the cooking area becomes dirty; clean using dishwashing detergent, warm water and a soft cloth or sponge and dry with a dry cloth. In case of oven lamp failure, you can replace the oven lamp by following the sections that follow.

Replacing the oven lamp

⚠ General warnings

- To avoid the risk of electric shock before replacing the oven lamp, disconnect the electrical connector and wait for the oven to cool. Hot surfaces may cause burns!

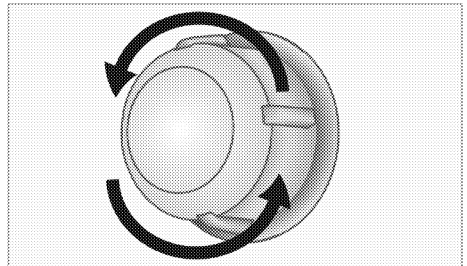


In this oven, an incandescent lamp with a power of less than 40 W, a height of less than 60 mm, a diameter of less than 30 mm or a halogen lamp with socket type G9, a power of less than 60 W is used. The lamps are suitable for operation at temperatures above 300 °C. Oven lamps can be obtained from Authorised Service Agents or technician with licence.

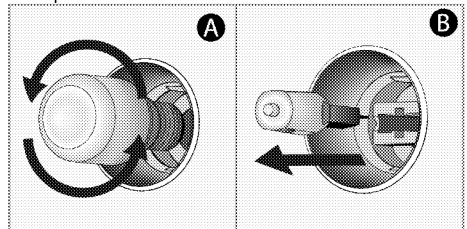
- The position of the lamp may differ from that is shown in the figure.
- The lamp used in this product is not suitable for use in the lighting of home rooms. The purpose of this lamp is to help the user see food products.
- The lamps used in this product must withstand extreme physical conditions such as temperatures above 50 °C.

If your oven has a round lamp,

1. Disconnect the product from the electricity.
2. Remove the glass cover by turning it counterclockwise.



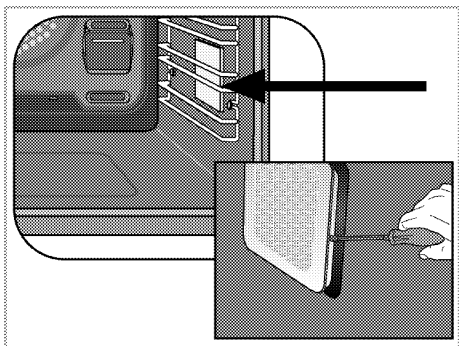
3. If your oven lamp is type (A) shown in the figure below, rotate the oven lamp as shown in the figure and replace it with a new one. If type (B) is a model, pull it out as shown in the figure and replace it with a new one.



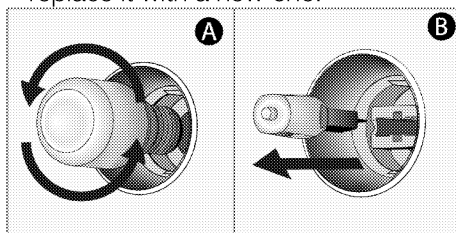
4. Refit the glass cover.

If your oven has a square lamp,

1. Disconnect the product from the electricity.
2. Remove the wire shelves according to the description.



with a new one. If type (B) is a model, pull it out as shown in the figure and replace it with a new one.



3. Lift the lamp's protective glass cover with a screwdriver.
4. If your oven lamp is type (A) shown in the figure below, rotate the oven lamp as shown in the figure and replace it

5. Refit the glass cover and wire shelves.

7 Troubleshooting

Oven emits steam when it is in use.

- It is normal that steam escapes during operation. >>> *This is not a fault.*

Product emits metal noises while heating and cooling.

- When the metal parts are heated, they may expand and cause noise. >>> *This is not a fault.*

Product does not operate.

- The mains fuse is defective or has tripped. >>> *Check fuses in the fuse box. If necessary, replace or reset them.*
- Product is not plugged into the (grounded) socket. >>> *Check the plug connection.*

Oven light does not work.

- Oven lamp is defective. >>> *Replace oven lamp.*
- Power is cut. >>> *Check if there is power. Check the fuses in the fuse box. If necessary, replace or reset the fuses.*

Oven does not heat.

- Might not be set to a certain cooking function and/or temperature. >>> *Set the oven to a certain cooking function and/or temperature.*
- Power is cut. >>> *Check if there is power. Check the fuses in the fuse box. If necessary, replace or reset the fuses.*

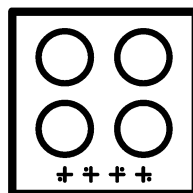
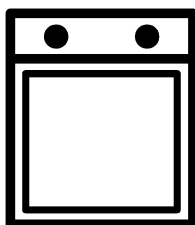


Consult the Authorised Service Agent or technician with licence or the dealer where you have purchased the product if you can not remedy the trouble although you have implemented the instructions in this section. Never attempt to repair a defective product yourself.



Four Encastrable

Manuel d'utilisation



Avant de commencer, merci de bien vouloir lire ce manuel d'utilisation !

Chère cliente, cher client,

Nous vous remercions d'avoir porté votre choix sur un produit Beko. Nous espérons que vous tirerez le meilleur parti de votre produit, qui a été fabriqué dans des usines de pointe avec des matériaux de qualité. C'est pourquoi nous vous prions de lire attentivement le présent manuel et tous les autres documents connexes dans leur intégralité avant d'utiliser le produit et de les conserver. Si vous cédez l'appareil à une tierce personne, n'oubliez pas de lui fournir le Manuel d'utilisation. Respectez tous les avertissements et informations contenus dans le manuel d'utilisation.

Souvenez-vous que ce Manuel d'utilisation s'applique également à plusieurs autres modèles. Les différences entre les modèles seront identifiées dans le manuel.

Explication des symboles

Vous trouverez les symboles suivants dans ce Manuel d'utilisation :



Informations importantes ou astuces utiles d'utilisation.



Avertissement de situations dangereuses relatives à la santé et aux biens.



Avertissement de risque de choc électrique.



Avertissement de risque d'incendie.



Avertissement de surfaces brûlantes.



Arçelik A.Ş.
Karaağaç caddesi No:2-6
34445 Sütlüce/Istanbul/TURKEY

1 Instructions importantes et mises en garde relatives à la sécurité et à l'environnement 4

Sécurité générale	4
Sécurité électrique.....	5
Sécurité du produit.....	6
Utilisation prévue.....	8
Sécurité des enfants.....	8
Mise au rebut de l'ancien appareil.....	9
Elimination des emballages	9

2 Généralités 10

Vue d'ensemble	10
Contenu de l'emballage.....	11
Caractéristiques techniques	12

3 Installation 13

Avant l'installation.....	13
Installation et branchement	15
Déplacement ultérieur.....	17

4 Préparation 18

Conseils pour faire des économies d'énergie	18
Première utilisation	18
Premier nettoyage de l'appareil	18
Première cuisson.....	18

5 Utilisation du four 19

Informations générales concernant la pâtisserie, la rôtisserie et les grillades. 19	
Utilisation du four électrique.....	20
Modes de fonctionnement.....	20
Tableau des temps de cuisson	21
Utilisation du grill.....	23
Tableau des temps de cuisson pour le grill	24

6 Maintenance et entretien 25

Consignes de nettoyage générales	25
Nettoyage des accessoires	26
Nettoyage du panneau de commande	26
Nettoyage de l'intérieur du four (zone de cuisson).....	27
Nettoyage de la porte du four	28
Retrait de la vitre de la porte.....	29
Nettoyage de la lampe du four.....	29

7 Recherche et résolution des pannes 32

1 Instructions importantes et mises en garde relatives à la sécurité et à l'environnement

Ce chapitre contient les instructions de sécurité qui vous aideront à éviter les risques de blessure corporelle ou de dégâts matériels. Le non respect de ces instructions entraînera l'annulation de toute garantie.

Sécurité général

- Cet appareil peut être utilisé par des enfants de 8 ans et plus et des personnes aux capacités physiques, sensorielles ou mentales réduites ou des personnes dénuées d'expérience ou de connaissance si elles ont pu bénéficier d'une surveillance ou d'instructions concernant l'utilisation de l'appareil en toute sécurité et comprennent les risques encourus. Les enfants ne doivent pas jouer avec l'appareil. Le nettoyage et l'entretien ne doivent pas être effectués par un enfant sans surveillance.
- Cet appareil n'est pas conçu pour être utilisé par des personnes (y compris les enfants) présentant des aptitudes physiques, sensorielles et mentales réduites, ou sans expérience et sans connaissances, à moins d'avoir été encadrées ou reçu des consignes d'utilisation. Les enfants bénéficiant d'un encadrement ne doivent pas jouer avec l'appareil.
- Si l'appareil est confié à une autre personne pour usage personnel ou vendu en seconde main, assurez-vous qu'il est toujours accompagné du manuel d'utilisation, des étiquettes, de tout autre document pertinent et des pièces.
- Les procédures d'installation et de réparation doivent être effectuées par des agents d'entretien qualifiés. Le fabricant ne sera pas responsable des dommages causés à la suite d'une utilisation faite par des personnes non qualifiées, situation susceptible d'annuler aussi la garantie. Avant l'installation, lisez attentivement les instructions.
- Ne faites pas fonctionner l'appareil s'il est défectueux ou présente des dégâts visibles.

- Assurez-vous que les boutons de fonctionnement de l'appareil sont en position d'arrêt après chaque utilisation.

Sécurité électrique

- Si le produit est en panne, ne l'utilisez pas, à moins qu'il ne soit réparé par un Agent d'entretien agréé. Vous risqueriez un choc électrique !
- Branchez l'appareil uniquement à une sortie/ligne avec mise à la terre ainsi que la tension et la protection spécifiées dans le chapitre « Spécifications techniques ». Faites installer la mise à la terre par un électricien qualifié lorsque vous utilisez l'appareil avec ou sans transformateur. Notre entreprise décline sa responsabilité par rapport à tout problème consécutif à la non mise à la terre de l'appareil suivant la réglementation locale en vigueur.
- Ne lavez jamais l'appareil en y versant de l'eau. Vous risqueriez un choc électrique !
- Ne touchez jamais la prise si vous avez des mains mouillées ! De même, ne débranchez jamais l'appareil en le tirant par le câble. Pour ce faire, il est conseillé de toujours tenir la prise avant de la tirer.
- Débranchez l'appareil pendant les opérations d'installation, d'entretien, de nettoyage et de réparation.
- Si le cordon d'alimentation est endommagé, il doit être remplacé par le fabricant, l'un de ses techniciens ou une personne de qualification similaire afin d'éviter tout risque.
- Installez l'appareil de sorte que l'on puisse le déconnecter complètement du réseau. La séparation doit être effectuée par une prise secteur ou un commutateur intégré à l'installation électrique fixe, suivant la réglementation en matière de construction.
- La surface arrière du four devient chaude pendant l'utilisation. Vérifiez que le raccordement de électrique n'est pas en contact avec la surface arrière, cela pourrait endommager les connexions.
- Ne pas coincer le câble d'alimentation entre la porte du four et le châssis et ne pas le faire passer sur des surfaces brûlantes. Dans le

cas contraire, l'isolation du câble pourrait fondre et provoquer un incendie suite à un court-circuit.

- Toutes les opérations sur des équipements et des systèmes électriques ne peuvent être réalisées que par des personnes habilitées et qualifiées.
- En cas de dégâts, éteignez l'appareil et débranchez-le du secteur. Pour ce faire, coupez le fusible domestique.
- Vérifiez que la tension du fusible est compatible avec l'appareil.

Sécurité du produit

- **AVERTISSEMENT** : Les parties accessibles de l'appareil deviennent chaudes au cours de son utilisation. Des mesures doivent être prises pour éviter de toucher aux éléments de chauffage. Les enfants de moins de 8 ans doivent être maintenus à l'écart, sauf s'ils sont continuellement surveillés.
- Ne jamais utiliser l'appareil sous l'emprise de l'alcool ou de toute autre drogue.
- Prenez garde lorsque vous utilisez des boissons alcoolisées

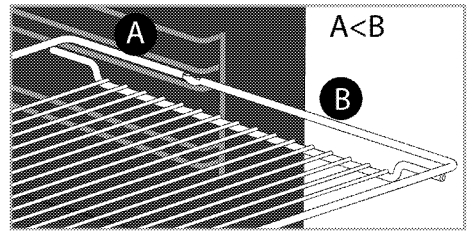
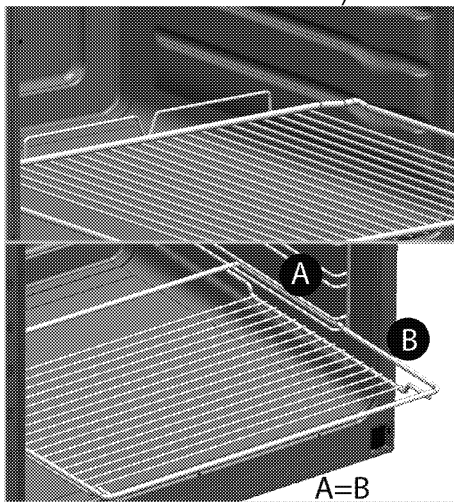
dans vos plats. L'alcool s'évapore à températures élevées et peut provoquer un incendie étant donné qu'il peut s'enflammer lorsqu'il entre en contact avec des surfaces chaudes.

- Assurez-vous qu'aucune substance inflammable ne soit placée à proximité de l'appareil étant donné que les côtés peuvent chauffer pendant son utilisation.
- L'appareil chauffe pendant son utilisation. Des mesures doivent être prises pour éviter de toucher aux éléments de chauffage qui se trouvent à l'intérieur du four.
- Évitez d'obstruer les éventuelles sorties d'aération.
- Ne pas faire chauffer de boîtes de conserves et de bocaux en verre clos dans le four. La pression qui s'accumulerait dans la boîte/le bocal pourrait le faire éclater.
- Ne placez pas de plaques de cuisson, de plats ou de feuille d'aluminium directement sur le bas du four. L'accumulation de chaleur pourrait endommager le fond du four.
- N'utilisez pas de nettoyants fortement abrasifs ou de

grattoir en métal affûté pour nettoyer la porte vitrée du four car ils peuvent rayer la surface, ce qui peut entraîner fêler la vitre.

- N'utilisez pas de nettoyeurs à vapeur pour le nettoyage de l'appareil, car ceux-ci présentent un risque d'électrocution.
- (Varient en fonction du modèle de four.)

Placer correctement la grille et le lèchefrite sur les gradins. Faites coulisser la grille ou le lèchefrite entre 2 glissières de coulissement et vérifiez-en l'équilibre avant de placer des aliments dessus (Observez l'illustration ci-dessous).



- Ne pas utiliser l'appareil si la porte en verre est absente ou fendue.
- Utilisez toujours des gants de protection thermique lorsque vous placez ou retirez des plats du four chaud.
- Placez le papier de cuisson contenant les aliments dans la casserole ou sur l'accessoire du four (plateau, grille métallique, etc.) et insérez l'ensemble dans le four préchauffé. Retirez le surplus de papier de cuisson qui débordé de l'accessoire ou de la casserole afin d'éviter tout contact avec les éléments chauffants du four. N'utilisez jamais le papier de cuisson à une température de fonctionnement supérieure à la valeur recommandée pour un papier de cuisson. Évitez de placer le papier de cuisson directement sur la base du four.
- **AVERTISSEMENT** : Assurer que le câble d'alimentation

de l'appareil est débranché ou que le coupe-circuit est désactivé avant de remplacer la lampe pour éviter tout risque de choc électrique.

- Pour éviter toute surchauffe, l'appareil ne doit pas être installé derrière une porte décorative.

Pour que votre appareil soit fiable:

- Veillez à ce que la fiche soit bien branchée dans la prise afin que des étincelles ne se produisent pas.
- Utilisez uniquement les câbles de rallonge d'origine, et veillez à ce qu'ils ne soient pas coupés ou autrement endommagés.
- Assurez-vous également que la prise ne contient pas de liquide ni de moisissure avant de brancher l'appareil.

Utilisation prévue

- Cet appareil est conçu pour un usage domestique. L'utilisation commerciale est interdite.
- **ATTENTION** : Cet appareil sert uniquement à des fins de cuisson. Il ne doit pas être utilisé à d'autres fins, par exemple le chauffage du local.

- Évitez d'utiliser cet appareil pour réchauffer les assiettes sous le grill, accrocher des serviettes et des torchons, etc. sur les poignées, sécher et réchauffer quoi que ce soit.
- Le fabricant ne saurait être tenu responsable des dégâts causés par une utilisation ou une manipulation incorrecte.
- Le four peut être utilisé pour décongeler, cuire, rôtir et griller des aliments.
- Les pièces détachées d'origine sont disponibles pendant 10 ans, à compter de la date d'achat du produit .

Sécurité des enfants

- **ATTENTION** : Les parties accessibles peuvent s'échauffer pendant l'utilisation. Les enfants doivent être tenus à l'écart.
- Les matériaux d'emballage peuvent présenter un danger pour les enfants. Gardez les matériaux d'emballage hors de portée des enfants. Veuillez jeter les pièces de l'emballage en respectant les normes écologiques.
- Les appareils électriques sont dangereux pour les enfants. Tenez les enfants à l'écart de

l'appareil lorsqu'il fonctionne et interdisez-leur de jouer avec.

- Ne rangez pas d'objets au dessus de l'appareil que les enfants pourraient atteindre.
- Lorsque la porte avant est ouverte, ne posez pas d'objets lourds dessus et ne permettez pas aux enfants de s'y asseoir. Il pourrait basculer ou les charnières de porte être endommagées.

Mise au rebut de l'ancien appareil

Conformité avec la directive DEEE et mise au rebut des déchets :



Ce produit est conforme à la directive DEEE (2012/19/UE) de l'Union européenne). Ce produit porte un symbole de classification pour la mise au rebut des équipements électriques et électroniques (DEEE).

Le présent produit a été fabriqué avec des pièces et du matériel de qualité

supérieure susceptibles d'être réutilisés et adaptés au recyclage. Par conséquent, nous vous conseillons de ne pas le mettre au rebut avec les ordures ménagères et d'autres déchets à la fin de sa durée de vie. Au contraire, rendez-vous dans un point de collecte pour le recyclage de tout matériel électrique et électronique. Veuillez vous rapprocher des autorités de votre localité pour plus d'informations concernant le point de collecte le plus proche.

Conformité avec la directive LdSD :

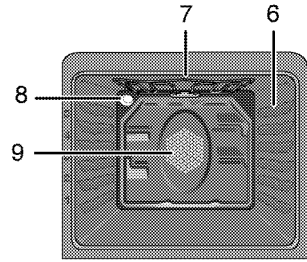
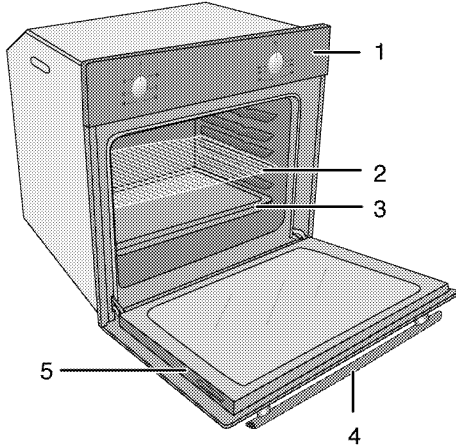
L'appareil que vous avez acheté est conforme à la directive LdSD (2011/65/UE) de l'Union européenne. Il ne comporte pas les matériels dangereux et interdits mentionnés dans la directive.

Élimination des emballages

- Les emballages sont dangereux pour les enfants. Conservez les emballages en lieu sûr à l'écart des enfants. Les emballages de l'appareil sont fabriqués à partir de matériaux recyclés. Éliminez-les de manière appropriée et trieZ-les en fonction des instructions de recyclage des déchets. Ne les jetez pas avec les déchets domestiques normaux.

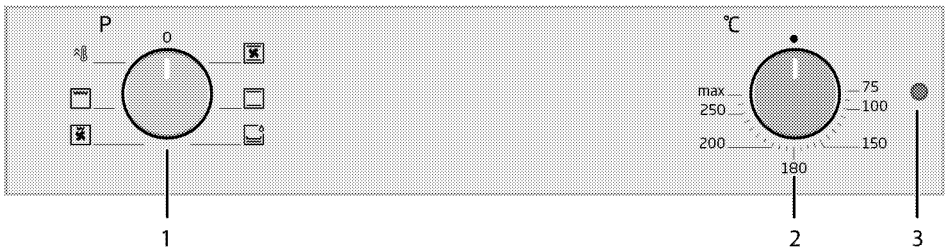
2 Généralités

Vue d'ensemble



- 1 Bandeau de commande
- 2 Grille
- 3 Lèche-frite
- 4 Poignée
- 5 Porte

- 6 Gradins
- 7 Élément chauffant supérieur
- 8 Ampoule
- 9 Moteur du ventilateur (derrière la plaque en acier)



- 1 Sélecteur des fonctions du four
- 2 Sélecteur de température du four
- 3 Voyant de fonctionnement du four

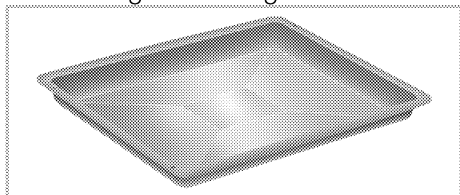
Contenu de l'emballage

i Les accessoires fournis peuvent varier selon le modèle de l'appareil. Tous les accessoires décrits dans le manuel d'utilisation peuvent ne pas faire partie de votre appareil.

1. Manuel de l'utilisateur

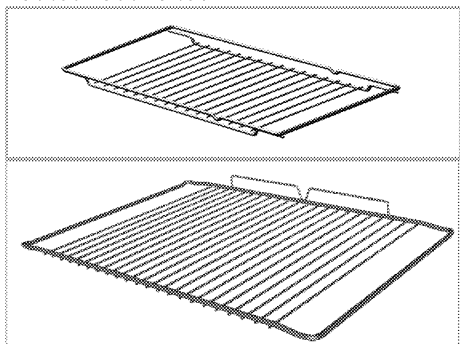
2. Plaque standard

Utilisée pour les pâtisseries, les aliments congelés et les grands rôtis.



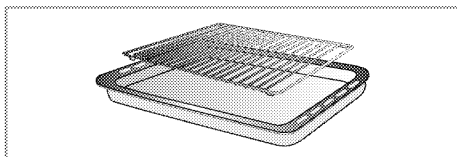
3. Grille métallique

Utilisée pour les rôtis et pour les aliments à cuire, rôtir ou pour les ragoûts, elle se place dans le four à la hauteur souhaitée.



4. Petit châssis grillagé

Il est placé dans la plaque (si fourni) afin de recueillir la graisse en fonction grill pour que le four reste propre.

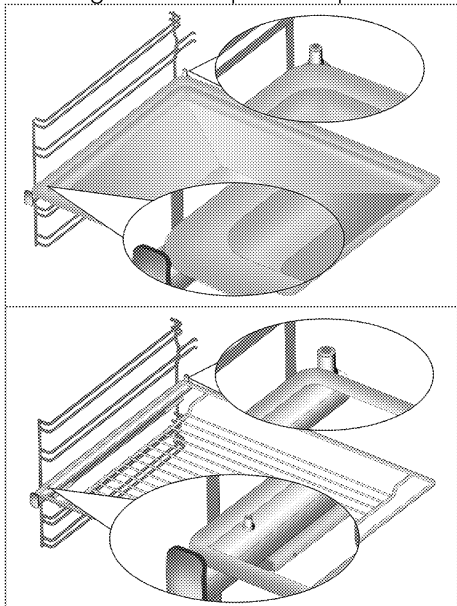


5. Placer correctement l'étagère métallique et la plaque sur les châssis télescopiques

(Cette fonction est optionnelle. Elle peut ne pas être disponible sur votre produit.)

Les châssis télescopiques vous permettent d'installer et de retirer facilement les plaques et l'étagère métallique.

Lorsque vous utilisez la plaque et l'étagère métallique avec les châssis télescopiques, vérifiez que les goupilles situées à l'arrière du châssis télescopique reposent contre les bords de l'étagère métallique et du plateau.



Caractéristiques techniques

Tension/fréquence	220-240 V ~ 50 Hz
Consommation d'énergie totale	2.4 kW
Type de câble/section	min.H05VV-FG 3 x 1,5 mm ²
Dimensions extérieures (hauteur/longueur/profondeur)	595 mm/594 mm/567 mm
Dimensions d'installation (hauteur/longueur/profondeur)	**590 ou 600 mm/560 mm/min. 550 mm
Four principal	Four multifonction
Ampoule interne	15/25 W
Consommation énergétique du grill	2.2 kW

Données de base : Les informations sur l'étiquette énergétique des fours électriques sont fournies conformément à la norme EN 60350-1 / IEC 60350-1. Ces valeurs sont déterminées à charge standard avec des résistances de voûte et de sole ou des fonctions de cuisson ventilée (le cas échéant).

La classe de consommation énergétique est déterminée conformément à la hiérarchie suivante en fonction de la présence ou non sur l'appareil les fonctions correspondantes. 1-Cuisson tournante économique, 2- Cuisson lente Turbo, 3- Cuisson Turbo, 4- Cuisson ventilée sole/voûte, 5- Cuisson voûte et sole.

** Reportez-vous à *Installation*, page 13.


i Les caractéristiques techniques peuvent changer sans avis préalable afin d'améliorer la qualité de l'appareil.

i Les illustrations comprises dans ce manuel sont schématiques et peuvent ne pas correspondre exactement à l'appareil.


i Les valeurs mentionnées sur les étiquettes de l'appareil ou dans la documentation qui l'accompagne sont obtenues dans des conditions de laboratoire conformément aux normes correspondantes. En fonction des conditions de fonctionnement et de l'environnement de l'appareil, ces valeurs peuvent varier.

3 Installation

Le produit doit être installé par une personne qualifiée conformément à la réglementation en vigueur. Dans le cas contraire, la garantie n'est pas valable. Le fabricant se sera pas tenu pour responsable des dégâts consécutifs à des procédures réalisées par des personnes non autorisées et pourra annuler la garantie dans ce cas.



 La préparation de l'emplacement et l'installation de l'électricité pour l'appareil sont sous la responsabilité du client.

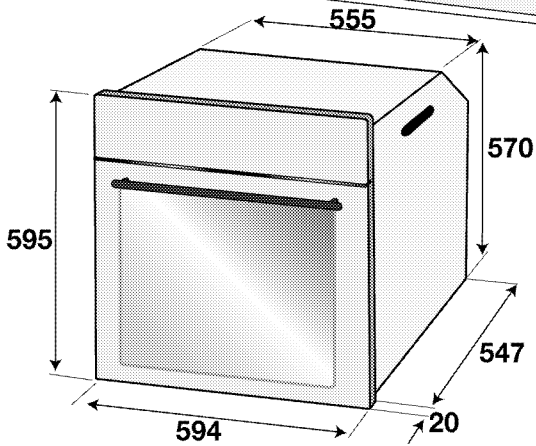
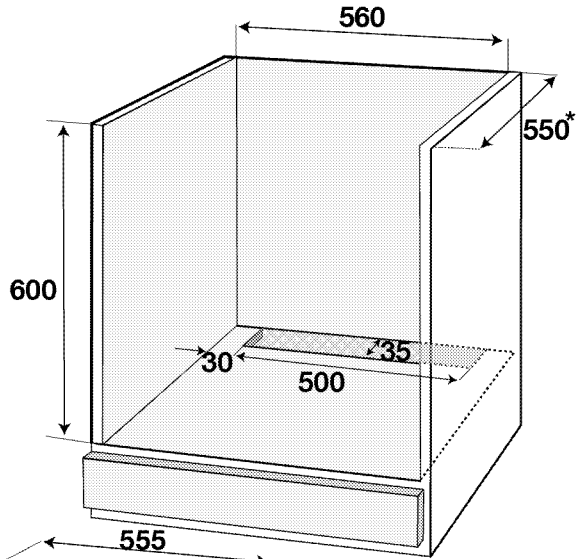
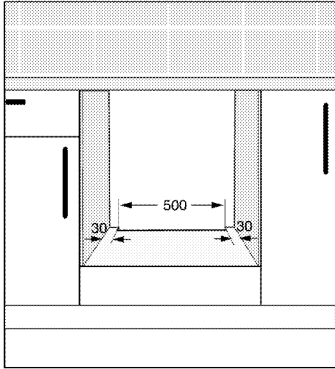
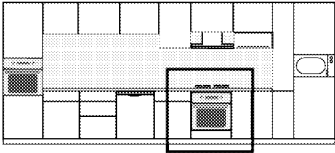
 Installez l'appareil conformément aux réglementations en matière de gaz et d'électricité en vigueur dans votre localité.

 Avant l'installation, regardez si l'appareil présente des défauts. Si tel est le cas, ne le faites pas installer. Les appareils endommagés présentent des risques pour votre sécurité.

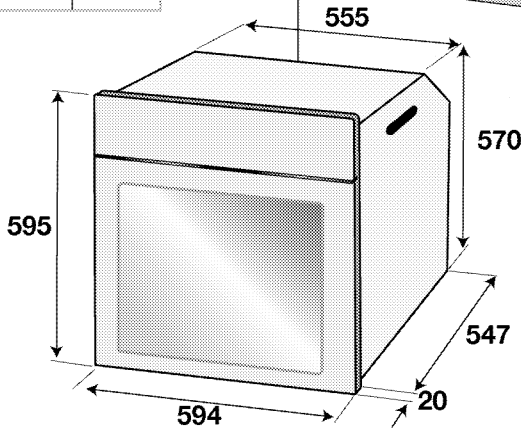
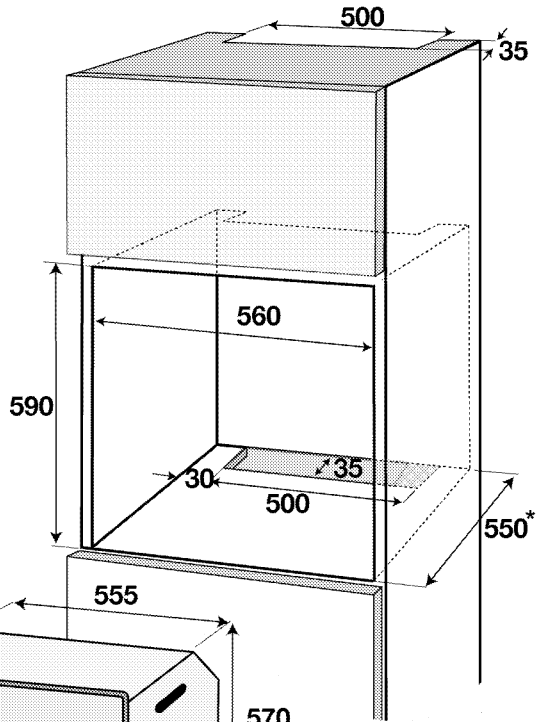
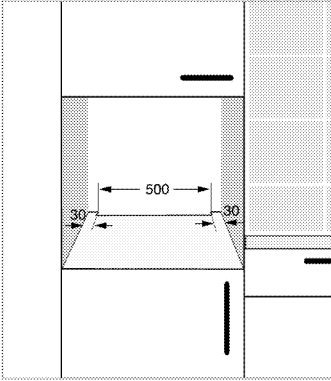
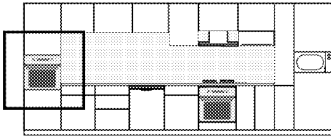
Avant l'installation

L'appareil est destiné à être installé dans les meubles de cuisine disponibles dans le commerce. Une distance de sécurité doit être laissée entre l'appareil et les parois de la cuisine et des meubles. Voir le schéma (valeurs en mm).

- Les surfaces, les feuilles laminées synthétiques et les adhésifs doivent résister à la chaleur (jusqu'à 100 °C min.).
- Les meubles de cuisine doivent être stables et fixés.
- S'il y a un tiroir sous le four, une étagère doit être installée entre ce four et le tiroir.
- Transportez l'appareil avec au minimum deux personnes.
- Tenez le four par les encoches présentes sur les deux côtés pour le déplacer.
- Avant d'installer le produit, retirez tous les matériaux et documents à l'intérieur.
- Les meubles de cuisine doivent être conformes aux dimensions indiquées dans la figure ci-dessous. À l'arrière du meuble de cuisine, découpez une ouverture aux dimensions indiquées dans la figure ci-dessous pour assurer une ventilation suffisante.
-  N'installez pas l'appareil à proximité de réfrigérateurs ou congélateurs. La chaleur émise par l'appareil augmenterait la consommation d'énergie des dispositifs de refroidissement.
-  N'utilisez pas la porte et/ou la poignée pour porter ou déplacer l'appareil.



* min.



* min.

Installation et branchement

- Installez l'appareil conformément à toutes les réglementations en matière de gaz et d'électricité en vigueur.

Raccordement électrique

Branchez l'appareil à une prise mise à la terre protégée par un disjoncteur miniature de capacité suffisante tel qu'indiqué dans le tableau « Caractéristiques techniques ». Faites installer la mise à la terre

par un électricien qualifié lors de l'utilisation de l'appareil avec ou sans transformateur. Notre société ne sera pas tenue pour responsable des dégâts résultant de l'utilisation de l'appareil sans une installation de mise à la terre conforme aux réglementations locales en vigueur.

! L'appareil doit uniquement être raccordé à l'alimentation électrique par une personne autorisée et qualifiée. La période de garantie de l'appareil démarre uniquement après son installation correcte.

Le fabricant se sera pas tenu pour responsable des dégâts consécutifs à des procédures réalisées par des personnes non autorisées.

! Le câble d'alimentation ne doit pas être serré, plié ou pincé ou entrer en contact avec des pièces chaudes de l'appareil.

Un câble d'alimentation endommagé doit être remplacé par un électricien qualifié. Dans le cas contraire, il présente un risque d'électrocution, de court-circuit ou d'incendie !

- La connexion doit être conforme aux réglementations nationales en vigueur.
- Les valeurs de l'alimentation électrique doivent correspondre aux valeurs figurant sur la plaque signalétique de l'appareil. Ouvrez la porte pour voir la plaque signalétique.
- Le câble d'alimentation de l'appareil doit être conforme aux valeurs du tableau "Caractéristiques techniques".

! Avant d'effectuer tout travail sur l'installation électrique, l'appareil doit être débranché du réseau d'alimentation électrique. Vous risqueriez un choc électrique !

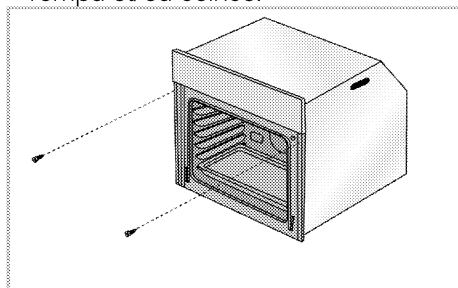
i La prise du câble d'alimentation doit être facile d'accès après l'installation (ne le faites pas passer au-dessus de la table de cuisson).

i Lors du câblage, vous devez respecter les réglementations nationales/locales en matière d'électricité. Par ailleurs, vous devez utiliser des prises et des fiches recommandées pour fours. Au cas où la limite de puissance de l'appareil est supérieure à la capacité de conduction du courant par la fiche et la prise, branchez l'appareil directement sur une installation électrique fixe sans utiliser de fiche ni de prise.

Branchez le câble d'alimentation dans la prise.

Installation des produits

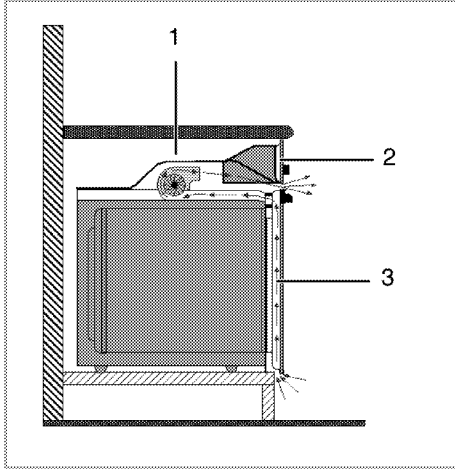
1. Faites coulisser le four dans le meuble, alignez-le et fixez-le en vous assurant que le câble d'alimentation n'est pas rompu et/ou coincé.



Fixez le four avec les 2 vis comme sur l'illustration.

Après l'installation, assurez-vous que les vis sont suffisamment serrées et que le four ne bouge pas. Le four peut basculer pendant l'utilisation s'il n'est pas installé conformément aux instructions et si les vis ne sont pas suffisamment serrées.

Pour les produits équipés d'un ventilateur (Elle peut ne pas être disponible sur votre produit.)



- 1 Ventilateur
- 2 Bandeau de commande
- 3 Porte

Le ventilateur intégré refroidit à la fois le meuble intégré et la façade de l'appareil.

- i** Le ventilateur continue de fonctionner pendant 20 à 30 minutes même après l'extinction du four.

Vérification finale

1. Mise en marche de l'appareil.
2. Vérifiez les fonctions.

Déplacement ultérieur

- Conservez le carton d'origine de l'appareil et utilisez-le pour déplacer le produit. Suivez les instructions figurant sur le carton. Si vous n'avez plus le carton original, emballez l'appareil dans du film à bulles ou du carton épais avec du ruban adhésif pour maintenir le tout.
- Afin d'éviter que la grille et la lèchefrite situés à l'intérieur du four n'endommagent la porte, placez une bande de carton sur la contre-porte à hauteur des plaques. Attachez la porte du four aux parois latérales à l'aide de ruban adhésif.
- N'utilisez pas la porte ou la poignée pour soulever ou déplacer l'appareil.
- i** Ne placez aucun objet sur l'appareil et déplacez-le bien à plat.
- i** Inspectez l'aspect général de l'appareil pour déceler les dégâts potentiellement dus au transport.

4 Préparation

Conseils pour faire des économies d'énergie

Les conseils suivants vous permettront d'utiliser votre appareil de façon écologique et d'économiser ainsi de l'énergie :

- Utilisez des ustensiles de cuisine recouverts d'émail car la transmission de chaleur sera améliorée.
- Lorsque vous cuisinez, lancez un préchauffage si cela est conseillé dans le manuel d'utilisation ou la description de la recette.
- N'ouvrez pas la porte du four trop souvent pendant la cuisson.
- Essayez de faire cuire plusieurs plats simultanément dans le four lorsque vous le pouvez. Vous pouvez placer deux plats de cuisson sur le châssis métallique.
- Faites cuire plusieurs plats successivement. Le four sera déjà à température.
- Vous pouvez économiser de l'énergie en éteignant votre four quelques minutes avant la fin du temps de cuisson. N'ouvrez pas la porte du four.
- Décongelez les plats surgelés avant de les cuire.

Première utilisation

Premier nettoyage de l'appareil

i La surface pourrait être endommagée par certains détergents ou produits de nettoyage. N'utilisez pas de détergents agressifs, de poudre/crèmes de nettoyage ou d'objets tranchants pour le nettoyage.

1. Retirez tous les matériaux d'emballage.
2. Essayez les surfaces de l'appareil à l'aide d'un chiffon humide ou d'une éponge et terminez avec un chiffon sec.

Première cuisson

Faites chauffer l'appareil pendant 30 minutes puis éteignez-le. De cette manière, tous les résidus de production ou les

couches de conservation seront brûlés et supprimés.



Les surfaces chaudes peuvent provoquer des brûlures !

L'appareil peut être très chaud pendant son utilisation. Ne touchez jamais les brûleurs, sections internes du four, résistances, etc. lorsqu'ils sont chauds. Tenez les enfants à l'écart.

Utilisez toujours des gants de protection thermique lorsque vous placez ou retirez des plats du four chaud.

Four électrique

1. Sortez toutes les plaques de cuisson et la grille métallique du four.
2. Fermez la porte du four.
3. Sélectionnez la position "Traditionnel".
4. Sélectionnez l'intensité la plus forte pour le grill ; voir *Utilisation du four électrique, page 20*.
5. Faites fonctionner le four environ 30 minutes.
6. Eteignez votre four ; voir *Utilisation du four électrique, page 20*

Four à grill

1. Sortez toutes les plaques de cuisson et la grille métallique du four.
2. Fermez la porte du four.
3. Sélectionnez l'intensité la plus forte pour le grill ; voir *Utilisation du grill, page 23*.
4. Faites fonctionner le four environ 15 minutes.
5. Eteignez votre grill ; voir *Utilisation du grill, page 23*



Une odeur et de la fumée peuvent se dégager pendant quelques heures au cours de la première utilisation. Ce phénomène est tout à fait normal. Assurez-vous que la pièce est bien aérée pour évacuer l'odeur et la fumée. Évitez de respirer la fumée et l'odeur qui se dégagent.

5 Utilisation du four

Informations générales concernant la pâtisserie, la rôtisserie et les grillades



Les surfaces chaudes peuvent provoquer des brûlures !

L'appareil peut être très chaud pendant son utilisation. Ne touchez jamais les brûleurs, sections internes du four, résistances, etc. lorsqu'ils sont chauds. Tenez les enfants à l'écart.

Utilisez toujours des gants de protection thermique lorsque vous placez ou retirez des plats du four chaud.



Faites attention lors de l'ouverture du four car de la vapeur peut s'en échapper.

La vapeur peut provoquer des brûlures sur vos mains, votre visage et/ou vos yeux.

Conseils pour la pâtisserie

- Utilisez des plats en métal anti-adhérent adaptés ou des ustensiles en aluminium ou des moules en silicone résistant à la chaleur.
- Utilisez l'espace de la plaque au mieux.
- Placez le moule de cuisson au milieu.
- Sélectionnez l'emplacement adapté avant d'allumer le four ou le grill. Ne changez pas d'emplacement lorsque le four est chaud.
- Gardez la porte du four fermée.

Conseils pour rôtir

- Assaisonner les poulets entiers, dindes et gros morceaux de viande avec du jus de citron et du poivre noir avant la cuisson augmentera la performance de cuisson.

- La viande rôtie met 15 à 30 minutes de plus à cuire avec des os par rapport à un rôti équivalent sans os.
- Chaque centimètre d'épaisseur de viande requiert environ 4 à 5 minutes de temps de cuisson.
- Laissez la viande reposer dans le four pendant environ 10 minutes après le temps de cuisson. Le jus se répartira sur l'ensemble de la viande et ne coulera pas à sa découpe.
- Le poisson doit être placé au milieu du four ou plus bas dans un plat résistant au feu.

Conseils pour les grillades

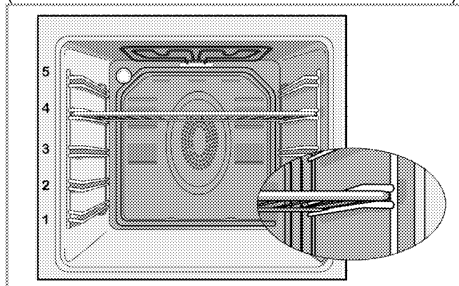
Lorsque la viande, poissons et volailles sont grillés, ils brunissent rapidement, deviennent croustillants et ne sèchent pas. Les morceaux minces, les brochettes de viandes et les saucisses mais également les légumes à forte teneur en liquide (par exemple les tomates et les oignons) sont particulièrement adaptés à cette cuisson.

- Répartissez les morceaux à griller sur la grille métallique ou la plaque de cuisson avec la grille métallique de manière à ce que l'espace couvert ne dépasse pas la taille de la résistance.
- Glissez la grille ou la plaque de cuisson avec la grille dans le four au niveau souhaité. Si vous faites des grillades sur la grille, glissez la plaque de cuisson sur le châssis pour recueillir les graisses. Ajoutez un peu d'eau dans la plaque de cuisson pour faciliter le nettoyage.



Les aliments non adaptés pour le grill exposent à des risques d'incendie. N'utilisez que des aliments à griller adaptés à une chaleur de grill intense. Ne placez pas la nourriture trop au fond du grill. Il s'agit de la zone la plus chaude et les aliments gras pourraient prendre feu.

(Varient en fonction du modèle de four.)



Utilisation du four électrique

Sélection d'une température et d'un mode de fonctionnement.



- 1 Sélecteur des fonctions du four
 - 2 Sélecteur de température du four
1. Réglez la manette des fonctions sur la fonction souhaitée.
 2. Réglez la manette Température sur la température souhaitée.
- » Le four chauffe à la température réglée et garde cette température. Pendant le chauffage, le voyant de la température reste allumé.

Arrêt du four électrique

Tournez la manette des fonctions et celle de la température sur la position arrêt (supérieure).

Positions des châssis (pour modèle avec grill)

Il est important de placer la grille correctement sur le châssis. La grille doit être insérée entre les châssis métalliques comme sur l'illustration.

Ne laissez pas la plaque du grill appuyée sur le mur arrière du four. Faites coulisser la grille vers l'avant du châssis et placez-la à l'aide de la contre-porte afin d'obtenir les meilleures performances du grill.

Modes de fonctionnement

L'ordre des modes de fonctionnement présenté peut varier sur votre appareil.

Convection naturelle



Les éléments chauffants supérieurs et inférieurs fonctionnent simultanément. Les aliments sont cuits simultanément par le dessus et le dessous. Par exemple, il est adapté pour des gâteaux, des pâtisseries ou des gâteaux et des ragoûts dans des moules. Cuisson avec une seule plaque.

Sole



Seule la sole fonctionne. Adapté par ex. pour des pizza et pour dorer le dessous des plats.



Cette fonction doit également être utilisée pour faciliter le nettoyage vapeur.

Élément chauffant supérieur/inferieur avec ventilateur



Les éléments supérieur et inférieur et le ventilateur (dans la paroi arrière) sont en marche. De l'air chaud est rapidement envoyé également dans le four au moyen du ventilateur. Cuisson avec une seule plaque.

Grill pulsé



L'effet grill n'est pas aussi fort que sur Grill fort

- Placez des portions de petite ou moyenne taille correctement sous l'élément de grill pour les grillades.
- Retournez la nourriture à mi-cuisson.

Grill fort



Le grand grill sur le haut du four fonctionne. Adapté pour les griller de grandes quantités de viande.

- Placez des portions de grande ou moyenne taille correctement sous la résistance de grill pour les grillades.
- Retournez la nourriture à mi-cuisson.

Booster



Cette fonction est utilisée pour chauffer le four rapidement, elle ne convient pas pour cuire les aliments.

- Sélectionnez la température désirée après avoir sélectionné cette fonction. Le voyant de la température s'allume et le four chauffe.
- Le voyant s'éteint après la fin du processus de chauffage. Sélectionnez maintenant la fonction désirée pour cuire vos aliments.

Tableau des temps de cuisson

i Les durées indiquées dans ce tableau ne servent que d'exemple. Elles peuvent varier selon la température, l'épaisseur et le type d'aliments, ainsi que vos préférences de cuisson.

Cuisson au four et rôtisserie

i Le 1er étage du four est l'emplacement du premier gradin.

Piat	Nombre de plaques	Accessoires à utiliser	Mode de fonctionnement	Hauteur des gradins	Température (°C)	Temps de cuisson (approx. en min.)
Gâteaux sur plaque	Une plaque	Plaque standard*		3	180	25 ... 30
Gâteaux en moule	Une plaque	Moule à cake sur grille métallique**		2	180	40 ... 50
Petits gâteaux	Une plaque	Plaque standard*		3	160	25 ... 35

Plat	Nombre de plaques	Accessoires à utiliser	Mode de fonctionnement	Hauteur des gradins	Température (°C)	Temps de cuisson (approx. en min.)
Génoise	Une plaque	Plat à charnière rond d'un diamètre de 26 cm sur grille métallique**		3	160	25 ... 35
Cookies	Une plaque	Plaque à pâtisserie*		3	180	25 ... 30
Pâte à chou	Une plaque	Plaque standard*		2	200	30 ... 40
Pâte au beurre	Une plaque	Plaque standard*		2	200	25 ... 35
Levain de pâte	Une plaque	Plaque standard*		2	200	35 ... 45
Lasagnes	Une plaque	Plat rectangulaire en métal/verre sur grille métallique**		2 - 3	200	30 ... 40
Pizza	Une plaque	Plaque standard*		2	200 ... 220	15 ... 20
Bifteck (entier) / Rôti	Une plaque	Plaque standard*		3	25 min. 250/max, puis 180 ... 190	100 ... 120
Gigot d'agneau (casserole)	Une plaque	Plaque standard*		3	25 min. 220 puis 180 ... 190	70 ... 90
Poulet rôti (1,8-2 kg)	Une plaque	Plaque standard*		2	15 min. 250/max, puis 180 ... 190	60 ... 80
Dinde (5.5 kg)	Une plaque	Plaque standard*		1	25 min. 250/max, puis 180 ... 190	150 ... 210
Poisson	Une plaque	Plaque standard*		3	200	20 ... 30

Nous vous suggérons de procéder à un préchauffage pour tout aliment à faire cuire.
* Ces accessoires ne sont pas forcément fournis avec le produit.
** Ces accessoires ne sont pas fournis avec le produit. Il s'agit d'accessoires disponibles dans le commerce.

Tableau de cuisson pour plats tests

Les plats mentionnés dans ce tableau de cuisson sont préparés conformément à la norme EN 60350-1 afin de permettre aux organismes de contrôle de tester plus facilement le produit.

Plat	Nombre de plaques	Accessoires à utiliser	Mode de fonctionnement	Hauteur des gradins	Température (°C)	Temps de cuisson (approx. en min.)
Sables	Une plaque	Plaque standard*		3	140	20 ... 30
Petits gâteaux	Une plaque	Plaque standard*		3	160	25 ... 35
Génoise	Une plaque	Plat à charnière rond d'un diamètre de 26 cm sur grille métallique**		3	160	25 ... 35
Tourte aux pommes	Une plaque	Plat rond en métal d'un diamètre de 20 cm sur grille métallique**		2	180	50 ... 60

Nous vous suggérons de procéder à un préchauffage pour tout aliment à faire cuire.
* Ces accessoires ne sont pas forcément fournis avec le produit.
** Ces accessoires ne sont pas fournis avec le produit. Il s'agit d'accessoires disponibles dans le commerce.

Conseils pour la pâtisserie

- Si le gâteau est trop sec, augmentez la température de 10°C et réduisez le temps de cuisson.


- Si le gâteau est trop humide, utilisez moins de liquide ou baissez la température de 10°C.
- Si le gâteau est trop foncé sur le dessus, placez-le au niveau inférieur,

baissez la température et augmentez le temps de cuisson.

- S'il est bien cuit à l'intérieur mais collant à l'extérieur, utilisez moins de liquide, baissez la température et augmentez le temps de cuisson.

Conseils pour la pâtisserie

- Si la pâtisserie est trop sèche, augmentez la température de 10°C et réduisez le temps de cuisson. Humectez les couches de pâte avec une sauce composée de lait, d'huile, d'oeuf et de yaourt.
- Si la pâtisserie met trop de temps pour cuire, faites attention à ce que l'épaisseur de la pâtisserie que vous avez préparée ne dépasse pas la profondeur de la plaque.
- Si la partie supérieure de la pâtisserie dore mais que la partie inférieure n'est pas cuite, vérifiez que vous n'avez pas utilisé trop de sauce pour le bas de la pâtisserie. Essayez de répandre la sauce équitablement sur les couches de pâte et le haut de la pâtisserie afin de les dorer au même niveau.

 Faites cuire la pâte conformément au mode et à la température indiqués dans le tableau de cuisson. Si la partie inférieure n'est toujours pas suffisamment dorée, la prochaine fois, placez-la à un niveau inférieur.

Conseils pour la cuisson des légumes

- Si le plat de légumes ne contient plus de jus et devient trop sec, cuisez-les dans une casserole avec un couvercle au lieu d'une plaque. Les récipients clos préservent le jus du plat.
- Si un plat de légumes ne cuit pas, faites bouillir les légumes au préalable ou préparez-les comme des aliments en conserve et placez-les au four.

Utilisation du grill



Fermez la porte du four pendant les grillades.

Les surfaces chaudes peuvent brûler !

Allumage du grill

1. Tournez la manette Fonction dans le sens des aiguilles d'une montre sur le symbole du grill.
2. Réglez ensuite la température désirée du grill.
3. Si nécessaire, effectuez un préchauffage d'environ 5 minutes.
» Le voyant du thermostat (température) s'allume.

Extinction du grill

1. Tournez la manette des fonctions sur la position arrêt (haut).



Les aliments non adaptés pour le grill exposent à des risques d'incendie. N'utilisez que des aliments à griller adaptés à une chaleur de grill intense.

Ne placez pas la nourriture trop au fond du grill. Il s'agit de la zone la plus chaude et les aliments gras pourraient prendre feu.

Tableau des temps de cuisson pour le grill

Grillade par grill électrique

Aliments	Accessoires à utiliser	Hauteur des gradins	Température recommandée (°C)**	Temps de grillade (environ)
Poisson	Grille métallique	4...5	250	20...25 min. #
Ailes ou cuisses de poulet	Grille métallique	4...5	250	25...35 min.
Côtelettes d'agneau	Grille métallique	4...5	250	20...25 min.
Rôti de bœuf	Grille métallique	4...5	250	25...30 min. #
Côtelettes de veau	Grille métallique	4...5	250	25...30 min. #
Pain toast *	Grille métallique	4	250	1...3 min.

selon l'épaisseur

*Préchauffez pendant 5 minutes.

**Si la température du grill de votre produit ne peut pas être ajustée, le grill fonctionnera à la température recommandée.

Les plats mentionnés dans ce tableau de cuisson sont préparés conformément à la norme EN 60350-1 afin de permettre aux organismes de contrôle de tester plus facilement le produit.

Aliments	Accessoires à utiliser	Hauteur des gradins	Température (°C)	Temps de cuisson (approx. en min.)
Pain grillé	Grille métallique	4	250	1...3 min.
Boulettes de viande (bœuf) - 12 morceaux	Grille métallique	4	250	25...35 min.

Retournez les aliments après les 2/3 du temps total de cuisson.

Nous vous suggérons de procéder à un préchauffage 5 minutes pour tout aliment à faire rôtir.

6 Maintenance et entretien

Consignes de nettoyage générales

▲ Avertissements généraux

- Attendez que l'appareil refroidisse avant de le nettoyer. Les surfaces chaudes peuvent causer des brûlures !
- N'appliquez pas les détergents directement sur les surfaces chaudes. Ils peuvent provoquer des taches permanentes.
- L'appareil doit être soigneusement nettoyé et séché après chaque opération. Ainsi, les résidus alimentaires sont faciles à nettoyer et ces résidus ne brûlent pas lorsque l'appareil est réutilisé ultérieurement. Ainsi, la durée de vie de l'appareil est prolongée et les problèmes fréquemment rencontrés sont réduits.
- N'utilisez pas de produits de nettoyage à vapeur pour le nettoyage.
- Certains détergents ou agents de nettoyage peuvent endommager la surface. N'utilisez pas de détergents abrasifs, de poudres de nettoyage, de crèmes de nettoyage, de détartrants ou d'objets pointus pendant le nettoyage.
- Il n'est pas nécessaire d'utiliser un produit de nettoyage spécial pour le nettoyage après chaque utilisation. Nettoyez l'appareil à l'aide de savon à vaisselle, d'eau chaude et d'un chiffon doux ou d'une éponge et séchez-le à l'aide d'un chiffon sec en microfibres.
- Assurez-vous d'essuyer complètement tout le liquide restant après le nettoyage et nettoyez immédiatement toute éclaboussure d'aliments pendant la cuisson.
- Ne lavez aucun composant de votre appareil dans un lave-vaisselle.

Surfaces en inox et en acier inoxydable

- N'utilisez pas d'agents de nettoyage contenant de l'acide ou du chlore pour nettoyer les surfaces et les poignées en acier inoxydable ou en inox.
- La surface en acier inoxydable ou en inox peut changer de couleur avec le temps. C'est normal. Après chaque opération, nettoyez avec un détergent adapté à la surface en acier inoxydable ou en inox.
- Nettoyez à l'aide d'un chiffon doux savonneux et d'un détergent liquide (non abrasif) adapté à la surface en inox, en prenant soin d'essuyer dans un sens.
- Retirez immédiatement et sans attendre les taches de calcaire, d'huile, d'amidon, de lait et de protéine sur les surfaces en acier-inox et en verre. À la longue, les taches peuvent causer la rouille.

Surfaces émaillées

- Après chaque utilisation, nettoyez les surfaces émaillées à l'aide d'un détergent à vaisselle, d'eau chaude et d'un chiffon doux ou d'une éponge et séchez-les à l'aide d'un chiffon sec.
- Si votre appareil est doté d'une fonction de nettoyage facile à la vapeur, vous pouvez faire du nettoyage facile à la vapeur pour la saleté légère non permanente. (Voir la section « Nettoyage à la vapeur facile »)
- Pour l'intérieur des fours et les grills, vous pouvez utiliser les agents de nettoyage Quick&Shine et le fil à récurer non abrasif utilisés sur les surfaces émaillées et recommandés par le service autorisé pour le cas des taches tenaces. N'utilisez pas de produit de nettoyage de four externe.

- Pour nettoyer le foyer, laissez le four refroidir. Le nettoyage sur des surfaces chaudes crée à la fois un risque d'incendie et des dommages à la surface émaillée.

Surfaces catalytiques

- Les parois latérales du foyer ne peuvent être recouvertes que par des parois émaillées ou catalytiques. Cela varie selon le modèle.
- Les parois catalytiques ont une surface légèrement mate et poreuse. Ne nettoyez pas les parois catalytiques du four.
- Les surfaces catalytiques absorbent de l'huile grâce à sa structure poreuse et commencent à briller lorsque la surface est saturée d'huile, dans ce cas il est recommandé de remplacer les pièces.

Surfaces en verre

- Lors du nettoyage des surfaces en verre, n'utilisez pas de grattoirs métalliques durs ni de produits de nettoyage abrasifs. Ils peuvent endommager la surface en verre.
- Nettoyez l'appareil à l'aide d'un détergent à vaisselle, d'eau chaude et d'un chiffon en microfibres spécifique pour les surfaces en verre et séchez-le à l'aide d'un chiffon sec en microfibres.
- Si des résidus de détergent restent après le nettoyage, nettoyez-les avec de l'eau froide et séchez à l'aide d'un chiffon en microfibres sec et propre. Les résidus de détergent peuvent endommager la surface du verre la prochaine fois.
- Les résidus séchés sur la surface du verre ne doivent en aucun cas être nettoyés avec des couteaux dentelés, du fil laine métallique ou des outils de grattage similaires.
- Vous pouvez éliminer les taches de calcium (taches jaunes) sur la surface

du verre à l'aide d'un agent de détartrage disponible sur le marché, tel que le vinaigre ou le jus de citron.

- Si la surface est très sale, appliquez le produit de nettoyage sur la tache à l'aide d'une éponge et patientez longtemps qu'il agisse correctement. Nettoyez ensuite la surface en verre à l'aide d'un chiffon humide.
- Les décolorations et les taches sur la surface en verre sont normales et ne présentent pas de défauts.

Pièces en plastique et surfaces peintes

- Nettoyez les pièces en plastiques et les surfaces peintes à l'aide d'un détergent à vaisselle, d'eau chaude et d'un chiffon doux ou d'une éponge et séchez-les à l'aide d'un chiffon sec.
- N'utilisez pas de grattoirs métalliques durs ni de produits de nettoyage abrasifs. Ils peuvent endommager les surfaces.
- Assurez-vous que les joints des composants de l'appareil ne sont pas laissés aussi humides et avec du détergent. Autrement, ces joints risquent de se corroder

Nettoyage des accessoires

Sauf indication contraire dans le manuel d'utilisation, ne lavez pas les accessoires du produit au lave-vaisselle.

Nettoyage du panneau de commande

- Lors du nettoyage des panneaux et du bouton de commande, essuyez le panneau et les boutons à l'aide d'un chiffon doux humide et séchez-les à l'aide d'un chiffon sec. Ne retirez pas les boutons et les joints en dessous pour nettoyer le panneau de commande. Le panneau de commande et les boutons peuvent être endommagés.

- Lors du nettoyage des panneaux en inox et du bouton de commande, n'utilisez pas d'agents de nettoyage pour inox autour des boutons. Les indicateurs situés autour des boutons peuvent être effacés.
- Nettoyez les panneaux de commande tactiles à l'aide d'un chiffon doux humide et séchez-les à l'aide d'un chiffon sec. Si votre appareil dispose d'une fonction de verrouillage des touches, réglez le verrouillage des touches avant d'effectuer le nettoyage du panneau de commande. Dans le cas contraire, une détection incorrecte peut se produire sur les touches.

Nettoyage de l'intérieur du four (zone de cuisson)

Suivez les étapes de nettoyage décrites dans la section « Informations générales sur le nettoyage » en fonction des types de surfaces de votre four.

Nettoyage des parois latérales du four

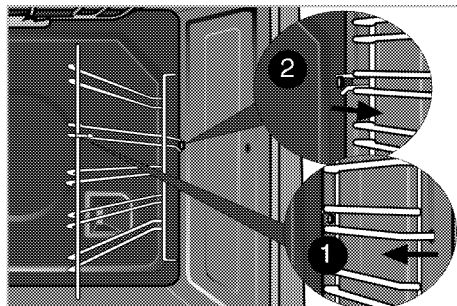
Les parois latérales de la zone de cuisson ne peuvent être recouvertes que par des parois émaillées ou catalytiques. Cela varie selon le modèle. S'il existe une paroi catalytique, reportez-vous à la section « Parois catalytiques » pour plus d'informations.

Si votre produit est un modèle à étagères grillagées, retirez les étagères grillagées avant de nettoyer vos parois latérales. Terminez ensuite le nettoyage tel que décrit dans la section « Informations générales sur le nettoyage » en fonction des types de surfaces de la paroi latérale.

Pour retirer les étagères métalliques latérales : (Varient en fonction du modèle de four.)

(Cette fonction est optionnelle. Elle peut ne pas être disponible sur votre produit.)

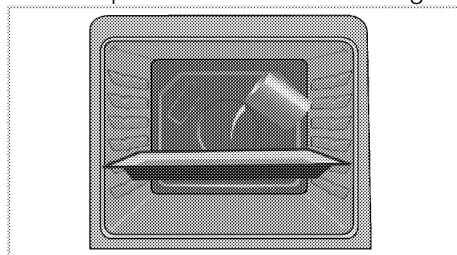
1. Retirez la partie avant du rail latéral en le tirant vers le côté opposé de la paroi latérale.
2. Retirez le rail latéral complètement en le tirant vers vous.



Nettoyage vapeur facile

Il assure un nettoyage facile parce que la saleté (après avoir attendu pas très longtemps) est ramollie par la vapeur qui se forme à l'intérieur du four et les gouttes d'eau de condensation sur les surfaces intérieures du four.

1. Retirez tous les accessoires du four.
2. Versez 500 ml d'eau sur la plaque du four et placez-la sur la deuxième grille.



3. Réglez la température du four à 100° C et laissez tourner sur le mode de nettoyage vapeur facile bas pendant 25 minutes.

4. Ouvrez la porte et essuyez les surfaces intérieures du four avec une éponge ou un chiffon humide.
5. Utilisez de l'eau tiède avec du détergent, une éponge ou un chiffon doux pour nettoyer la saleté persistante et enlevez-la à l'aide d'un chiffon sec.

i Pendant le mode nettoyage vapeur facile, l'eau qui est placée dans le plateau pour ramollir les résidus et la saleté amassés dans la cavité du four s'évapore et se condense dans la cavité du four et dans le verre intérieur de la porte du four, de sorte que l'eau peut s'écouler lorsque vous ouvrez la porte du four. Essuyez la condensation dès que vous ouvrez la porte du four.

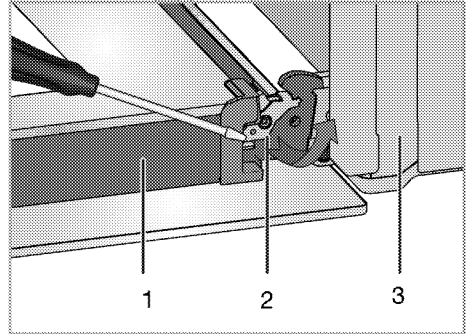
Nettoyage de la porte du four

i N'utilisez pas de produits de nettoyage abrasifs durs, de grattoirs métalliques, de fil de laine métallique ou de produits d'eau de Javel pour nettoyer la porte et le verre du four.

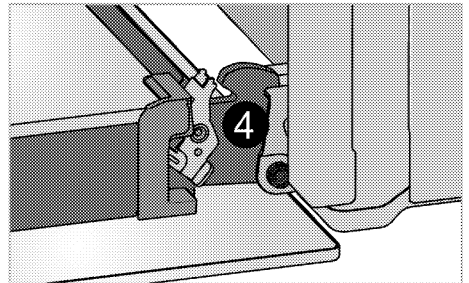
Vous pouvez retirer la porte de votre four et les vitres de la porte pour les nettoyer. La procédure de retrait des portes et des fenêtres est expliquée dans les sections « Retrait de la porte du four » et « Retrait des vitres intérieures de la porte ». Après avoir retiré les vitres intérieures de la porte, nettoyez-les à l'aide d'un détergent à vaisselle, d'eau chaude et d'un chiffon doux ou d'une éponge et séchez-les à l'aide d'un chiffon sec. Essuyez le verre avec du vinaigre. Rincez-le ensuite pour éliminer les résidus de calcaire qui peuvent se trouver sur la vitre du four.

Retirer la porte du four

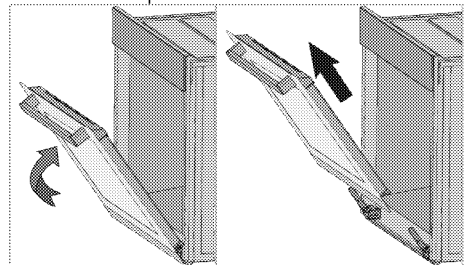
1. Ouvrez la porte frontale (1).
2. Ouvrez les clips sur le logement de la charnière (2) sur les côtés droit et gauche de la porte frontale en faisant pression sur les clips, tel qu'illustré dans le schéma.



- 1 Porte
- 2 Charnière(position fermée)
- 3 Four
- 4 Charnière(position ouverte)



3. Ouvrez la porte frontale à moitié.



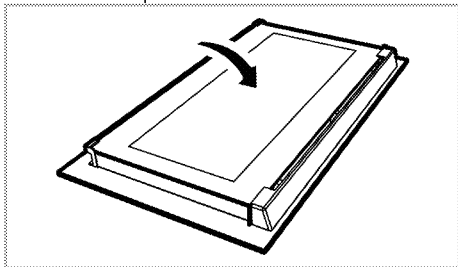
4. Retirez la porte frontale en la tirant vers le haut pour la libérer des charnières droite et gauche.

i Les étapes effectuées pendant le processus de retrait doivent être suivies dans l'ordre inverse pour installer la porte. N'oubliez pas de fermer les clips du logement de la charnière lors de la réinstallation de la porte.

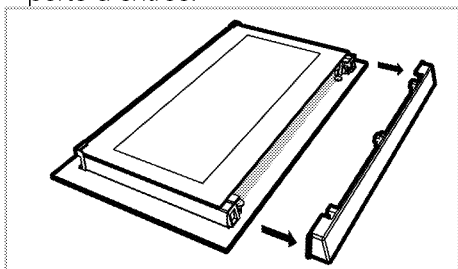
Retrait de la vitre de la porte (Cette fonction est optionnelle. Elle peut ne pas être disponible sur votre produit.)

Le panneau vitré interne de la porte du four peut être retiré pour le nettoyage.

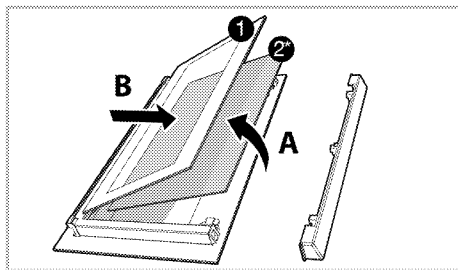
1. Ouvrez la porte du four.



2. Tirez vers vous et retirez le morceau en plastique placé sur le haut de la porte d'entrée.



3. Comme illustré sur la figure, soulevez le panneau de verre du fond (1) légèrement dans la direction **A** et retirez-le dans la direction **B**.



1 Panneau vitré du fond

2* Panneau vitré du fond (Elle peut ne pas être disponible sur votre produit.)

4. Si votre appareil est équipé d'un panneau vitré intérieur (2), répétez cette opération pour enlever le panneau en verre intérieur (2).

5. La première étape pour réassembler la porte est de réinstaller le panneau de verre intérieur (2). Placez le coin chanfreiné du panneau en verre pour qu'il reste sur le coin chanfreiné de l'encoche en plastique. (Si votre appareil est équipé d'un panneau vitré intérieur). Le panneau de verre intérieur (2) doit être installé dans l'encoche en plastique près du panneau en verre du fond (1).

6. Quand vous installez le panneau en verre de derrière (1), vérifiez que le côté imprimé du panneau fait face au second panneau en verre. Il est important d'asseoir les coins inférieurs de tous les panneaux en verre intérieurs (1) dans l'encoche en plastique inférieure.

7. Poussez le morceau en plastique dans le cadre jusqu'à ce que vous entendiez un "click".

Nettoyage de la lampe du four

Au cas où la porte en verre de la lampe du four de la zone de cuisson est sale, nettoyez-la à l'aide d'un détergent à

vaisselle, d'eau chaude et d'un chiffon doux ou d'une éponge et séchez-la à l'aide d'un chiffon sec. En cas de panne de la lampe du four, vous pouvez la remplacer en suivant les étapes suivantes.

Remplacement de la lampe du four

⚠ Avertissements généraux

- Pour éviter tout risque de choc électrique avant de remplacer la lampe du four, débranchez le connecteur électrique et patientez que le four refroidisse. Les surfaces chaudes peuvent causer des brûlures !

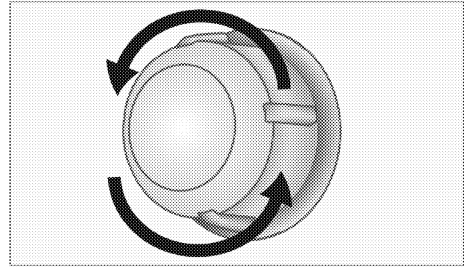
i Dans ce four, une lampe à incandescence d'une puissance inférieure à 40 W, d'une hauteur inférieure à 60 mm, d'un diamètre inférieur à 30 mm ou une lampe halogène à culot de type G9, d'une puissance inférieure à 60 W est utilisée. Les lampes conviennent pour un fonctionnement à des températures supérieures à 300 °C. Les lampes du four peuvent être obtenues auprès d'agents de service agréés ou d'un technicien titulaire d'une licence.

- La position de la lampe peut différer de celle indiquée dans la figure.
- La lampe utilisée dans cet appareil n'est pas adaptée à l'éclairage des pièces de la maison. Cette lampe permet à l'utilisateur de voir les aliments.
- Les lampes utilisées dans cet appareil doivent résister à des conditions physiques extrêmes telles que des températures supérieures à 50 °C.

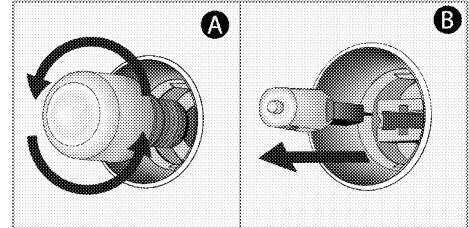
Si votre four est équipé d'une lampe ronde,

1. Débranchez l'appareil de la prise électrique.

2. Retirez le couvercle en verre en le tournant dans le sens antihoraire.



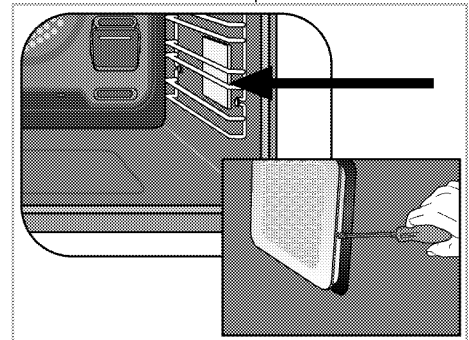
3. Si la lampe du four est de type (A) illustré dans la figure ci-dessous, tournez la lampe du four comme indiqué dans la figure et remplacez-la par une nouvelle. Si le type (B) est un modèle, retirez-la comme indiqué dans la figure et remplacez-la par une nouvelle.



4. Remettez le couvercle en verre.

Si votre four est équipé d'une lampe carrée,

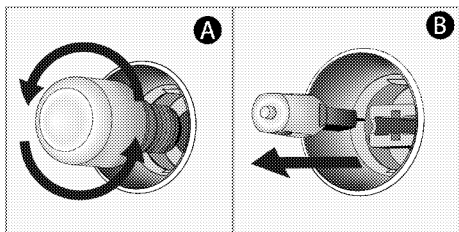
1. Débranchez l'appareil de la prise électrique.
2. Retirez les étagères grillagées conformément à la description.



3. Soulevez le couvercle de protection en verre de la lampe à l'aide d'un tourne-vis.

4. Si la lampe du four est de type (A) illustré dans la figure ci-dessous, tournez la lampe du four comme indiqué dans la figure et remplacez-la par une nouvelle. Si le type (B) est un modèle, retirez-la comme indiqué dans la figure et remplacez-la par une nouvelle.

5. Remettez le couvercle en verre et les étagères grillagées.



7 Recherche et résolution des pannes

Le four émet de la vapeur lorsqu'il est en marche.

- Il est normal que de la vapeur s'échappe pendant le fonctionnement. >>> *Cela n'est pas un défaut.*

Le appareil émet des bruits métalliques lors des phases de chauffage et de refroidissement.

- Lorsque les pièces métalliques sont chauffées, elles peuvent se détendre et émettre ces bruits. >>> *Cela n'est pas un défaut.*

Le appareil ne fonctionne pas.

- Le fusible d'alimentation est défectueux ou grillé. >>> *Vérifiez les fusibles dans la boîte à fusibles. Remplacez ou réactivez-les le cas échéant.*
- L'appareil n'est pas relié à la prise de mise à la terre. >>> *Vérifiez le branchement de la prise.*

La lumière du four ne s'allume pas.

- L'ampoule du four est défectueuse. >>> *Remplacer l'ampoule du four.*
- L'alimentation est coupée. >>> *Vérifiez s'il y a du courant. Vérifiez les fusibles dans la boîte à fusibles. Remplacez ou réactivez-les le cas échéant.*

Le four ne chauffe pas.

- Peut ne pas être réglé sur une certaine fonction de cuisson et/ou à une certaine température. >>> *Réglez le four sur une certaine fonction de cuisson et/ou à une certaine température.*
- L'alimentation est coupée. >>> *Vérifiez s'il y a du courant. Vérifiez les fusibles dans la boîte à fusibles. Remplacez ou réactivez-les le cas échéant.*



Consultez le technicien autorisé ou le revendeur qui vous a vendu l'appareil si vous ne parvenez pas à résoudre le problème après avoir suivi les instructions comprises dans ce chapitre. N'essayez jamais de réparer un appareil défectueux vous-même.

Free Manuals Download Website

<http://myh66.com>

<http://usermanuals.us>

<http://www.somanuals.com>

<http://www.4manuals.cc>

<http://www.manual-lib.com>

<http://www.404manual.com>

<http://www.luxmanual.com>

<http://aubethermostatmanual.com>

Golf course search by state

<http://golfingnear.com>

Email search by domain

<http://emailbydomain.com>

Auto manuals search

<http://auto.somanuals.com>

TV manuals search

<http://tv.somanuals.com>