

Fully Automatic Espresso Machine

User Manual



CEG5311X

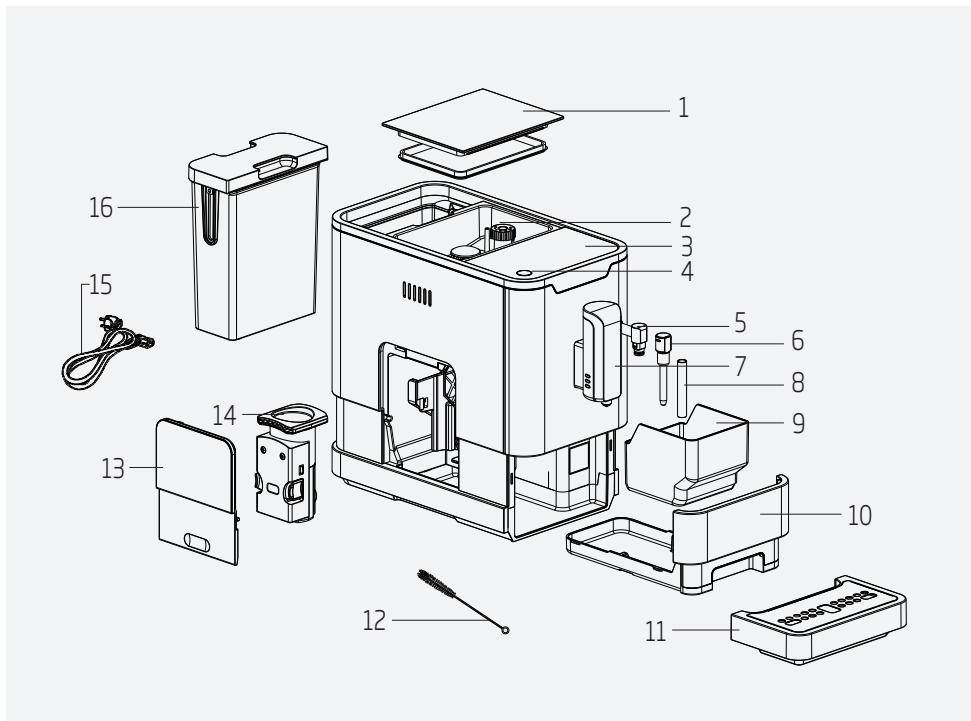
EN | DE | FR | TR | ES | CS
IT | PL | RO | SL | AR

01M-8813573200-2718-01

beko

CONTENTS

ENGLISH	5-19
DEUTSCH	20-38
FRANÇAIS	39-55
TÜRKÇE	56-72
ESPAÑOL	73-91
ČESKY	92-108
ITALIANO	109-126
POLSKI	127-147
SLOVAK	148-166
ROMÂNĂ	167-183



1. Coffee Beans Container Cover
2. Coffee Bean Container
3. Control Panel
4. On/Off button
5. Steam Nozzle
6. Nozzle cover
7. Adjustable coffee spout
8. Metal tube
9. Coffee Grounds Container
10. Internal Drip Tray
11. External Drip Tray
12. Cleanness brush
13. Service Door
14. Brewer
15. Power cord
16. Water Tank

Technical data

Power supply:

220-240 V~, 50-60 Hz

Power: 1350 W

Technical and design modifications reserved.

All declared values on the product and on the printed leaflets are picked up after laboratory measurements performed according to related standards. These values may differ upon usage and ambient conditions.

Please read this user manual first!

Dear Customers,

Thank you for selecting an Beko product. We hope that you get the best results from your product which has been manufactured with high quality and state-of-the-art technology. Therefore, please read this entire user manual and all other accompanying documents carefully before using the product and keep it as a reference for future use. If you handover the product to someone else, give the user manual as well. Follow all warnings and information in the user manual.

Meanings of the symbols

Following symbols are used in the various section of this manual:



Important information or useful hints about usage.



DANGER: Warning for hazardous situations with regard to life and property.



WARNING: Warning indicates a potentially dangerous situation.



CAUTION: Warning indicates potential material damage.



This product has been produced in environmentally-friendly, state-of-the-art facilities.

Complies with the WEEE Directive.



It does not contain PCB.

1 Important instructions for safety and environment

This section includes the safety instructions that will help providing protection against personal injury and material loss risks. Failure to follow these instructions invalidates the granted warranty.

1.1 Danger of electric current

Danger to life by electric current!
Contact with live wires or components could lead to serious injury or even death!

Observe the following safety precautions to avoid electric shocks:

- Do not use the coffee machine if the connecting cable or mains plug are damaged.
- Before reusing the coffee machine, the mains cable must be renewed by a qualified electrician.
- Do not open the housing of the coffee machine. Danger of electric shock if live connections are touched and/or the electrical and mechanical configuration is changed.
- Before cleaning the bean container, pull the mains plug of the appliance out of the socket. Danger from rotating coffee mill!

1.2 Danger of burning or scalding

Parts of the coffee machine can become very hot during operation! Dispensed drinks and escaping steam are very hot!

Observe the following safety precautions to avoid burning/scalding yourself and/or others:

- Do not touch either of the metal sleeves on both coffee spouts.
- Avoid direct contact of the skin with escaping steam or hot rinsing, cleaning and descaling water.

1.3 Fundamental safety precautions

Observe the following safety precautions to ensure safe handling of the coffee machine:

- Never play with packaging material. Risk of suffocation.
- Inspect the coffee machine for visible signs of damage before use. Do not use a damaged coffee machine.

1 Important instructions for safety and environment

- If the connecting cable is damaged, it should only be replaced by a service agent recommended by the manufacturer in order to prevent any danger! Please contact the manufacturer or his customer service.
- Repairs to the coffee machine must only be carried out by an authorised specialist or by the works customer service. Unqualified repairs can lead to considerable danger for the user. They will also void the warranty.
- Repairs to the coffee machine during the warranty period may only be carried out by service centres authorised by the manufacturer, otherwise the warranty will become void in the event of subsequent damage.
- Defective parts may only be replaced with original spare parts. Only original spare parts guarantee that the safety requirements are met.
- This appliance can be used by children from the age of 8 up as well as by persons with reduced physical, sensory or mental abilities or with lacking experience and/or knowledge, if these persons are supervised or have been instructed how to use the appliance in a safe way and have understood the hazards which could arise from using it. Children must not play with the appliance. Cleaning and user maintenance shall not be made by children unless they are older than 8 and supervised.
- This appliance is intended to be used in household and similar applications such as:
 - staff kitchen areas in shops, offices and other working environments,
 - farm houses,
 - by clients in hotels, motels and other residential type environments,
 - bed and breakfast type environments.
- Protect the coffee machine against the effects of weather such as rain, frost and direct sunlight. Do not use the coffee machine outdoors.

1 Important instructions for safety and environment

- Never immerse the coffee machine itself, the mains cable or the mains plug into water or other liquids.
- Do not clean the coffee machine or accessories in a dish washer.
- Do not pour any other liquids apart from water or place foodstuffs into the water tank.
- Do not fill the water tank beyond the maximum mark (lower edge of the filling hole) (1.5 litres).
- Only operate the machine when the waste container, drip tray and the cup grate are fitted.
- Do not pull the cable to remove the plug from the mains socket or touch with wet hands.
- Do not hold the coffee machine with the mains cable.
- Keep the appliance and its cord out of reach of children aged less than 8 years.
- Do not operate the hot water function continuously for more than one tank of water.

1.4 Intended use

The fully automatic coffee machine Beko is intended for use in homes and similar applications, for instance in staff kitchens, shops, offices and similar areas or by customers in bed & breakfast, hotels, motels and other living accommodation. This coffee machine is not intended for commercial use. The machine is only intended for preparing coffee and heating milk and water. Any other use other than previously stated is considered as improper use.

Danger resulting from improper use!

If not used for its intended purpose or used in any other way, the coffee machine may be or become a source of danger.



WARNING: Therefore, the coffee machine may only be used for its intended purpose.



WARNING: Observe the procedures described in this user manual.

No claims of any kind will be accepted for damage or injury resulting from use of the coffee machine for other than its intended purpose.

The risk has to be borne solely by the machine owner.

1 Important instructions for safety and environment

1.5 Limitation of liability

All technical information, data and instructions on installation, operation and maintenance of the coffee machine contained in these operating instructions represent the current status at the time of printing and are based on the best possible knowledge gained by experience and knowhow.

No claims can be derived from the information, illustrations and descriptions in this user manual.

The manufacturer assumes no liability for damage or injury resulting from failure to observe the user manual, use for other than the intended purpose, unprofessional repairs, unauthorised modifications or use of non-approved spare parts.

1.6 Compliance with the WEEE Directive and Disposing of the Waste Product:

This product complies with EU WEEE Directive (2012/19/EU). This product bears a classification symbol for waste electrical and electronic equipment (WEEE).



This product has been manufactured with high quality parts and materials which can be reused and are suitable for recycling. Do not dispose of the waste product with normal domestic and other wastes at the end of its service life. Take it to the collection center for the recycling of electrical and electronic equipment. Please consult your local authorities to learn about these collection centers.

1.7 Compliance with RoHS Directive

The product you have purchased complies with EU RoHS Directive (2011/65/EU). It does not contain harmful and prohibited materials specified in the Directive.












1.8 Package information



Packaging materials of the product are manufactured from recyclable materials in accordance with our National Environment Regulations. Do not dispose of the packaging materials together with the domestic or other wastes. Take them to the packaging material collection points designated by the local authorities.

2 Display

2.1 Control Panel

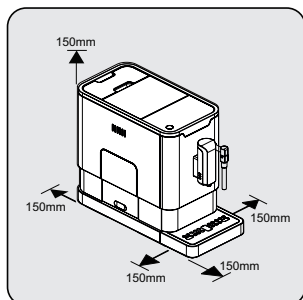
	Flashing: Low water level/ Water tank missing
	Lack of bean
	Lights up stably: coffee grounds container is full Flashing: Internal Drip Tray/coffee grounds container is missing
	Lights up stably: Brewer is missing/ installed improperly Flashing: Service door is opened / installed improperly
	Lights up stably: Requires to do descaling Flashing: Descaling is under process
	Empty System Function is running
	Power ON/OFF Button
	Steam Button
	Hot Water Button
	Strong Espresso Button
	Mild Espresso Button

In the box, three packs of cleaning agents are included for the process of self-cleaning.

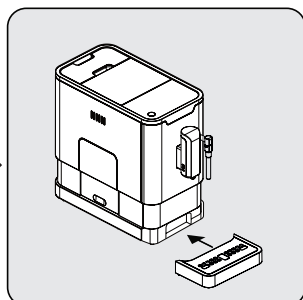
3 Preparation

3.1 Installation

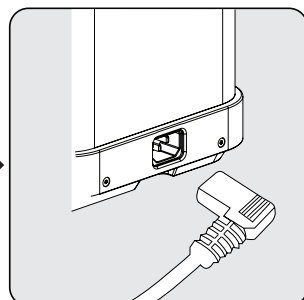
i Remove any protective films, stickers and any other packing material on the appliance.



Choose a safe and stable surface with an easily reachable power supply and allow minimum distance from the sides of the machines.




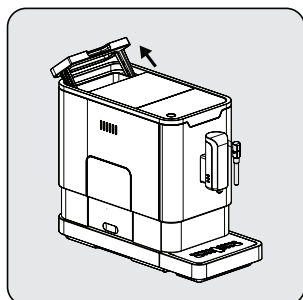
Insert the external drip tray. Make sure it is inserted correctly.



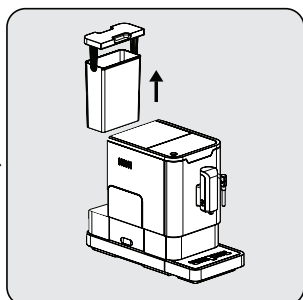
Unwind and straighten the power cord and insert the plug into the socket located on the back of the machine. Insert the other end of the power cord into a wall socket with suitable power voltage.

3.3 Filling the water tank

! **WARNING:** When  is flashing, the water tank is in low water level and requires filling the water tank.



Lift the water tank by using the lid as the handle.



Take the water tank out.



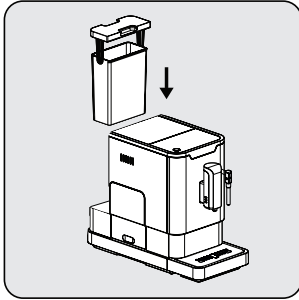
Rinse the water tank with fresh water and then fill the tank to the Max level and place it back into the machine. Make sure it is fully inserted.

i To prevent overflow of water from the water tank, do not add water directly into the appliance with another container.

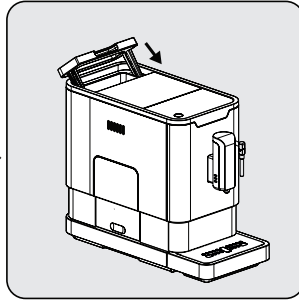
3 Preparation



WARNING: Never fill the water tank with warm, hot, sparkling water or any other liquid which might damage the water tank and the machine.



Place the water tank back by using the lid as the handle.

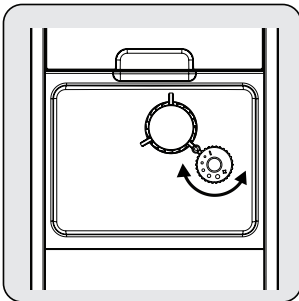


Close the water tank by using the lid.

4 Operation

4.1 Grinding Adjustment

You can adjust the grinder to suit the roast of your coffee by turning adjuster knob in the bean container:



When the grinder is grinding the coffee bean when it is making the coffee, you can turn the adjust knob to do the adjustment.



WARNING: Never do the grinding adjustment when the grinder is not operating. It may damage the grinder.

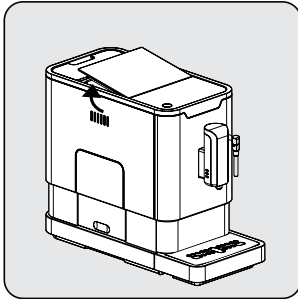


The dots on the adjuster knob indicate the fineness of the grind.

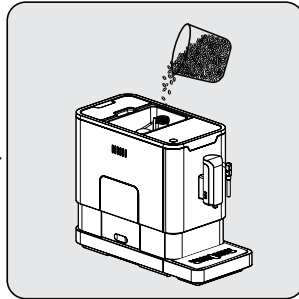
4 Operation

4.2 Filling the bean container

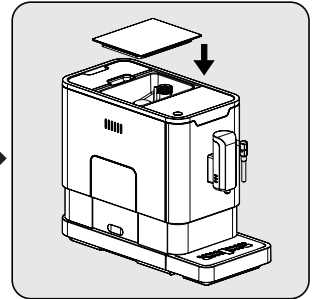
i When  is flashing, the appliance needs to be filled with coffee bean.



Remove the bean container lid.



Slowly pour in the coffee beans.



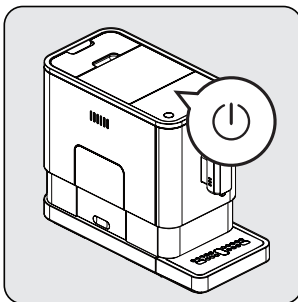
Place the container lid back.



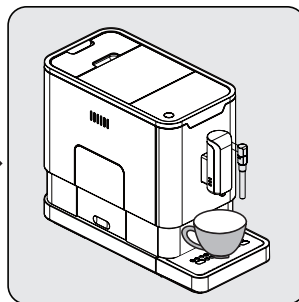
WARNING: Fill the coffee bean container only with coffee beans. Grounded coffee, instant coffee, caramelized coffee and any other objects may damage the machine.

i Press the hot water button to clean inside of the coffee maker before first use.

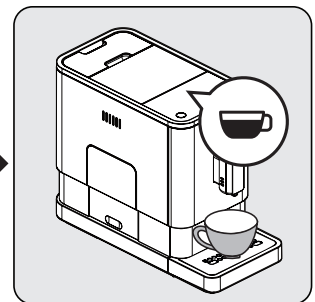
4.3 Making Your Coffee



Switch on the appliance by pressing the power on/off button. The appliance is then in the standby condition.



Place a cup under the coffee spout and adjust the height of the spout to fit the cup.



The espresso button being pressed will light on and the illumination will light up indicates that the appliance is preparing the cup of coffee.

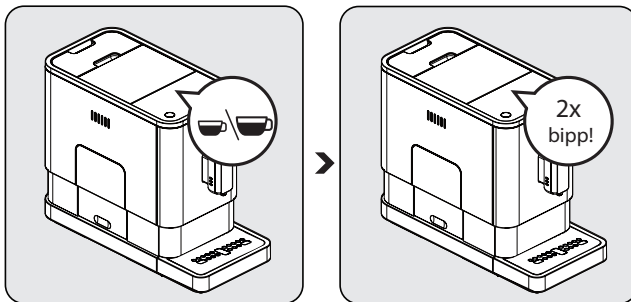
When the appliance is back to standby condition, the coffee is ready to serve.

4 Operation

- i** Switch off the appliance by pressing the power on/off button.
- i** Depending on the taste of coffee you would like to have, press strong espresso button or mild espresso button .
- i** Press the hot water button to clean inside of the coffee maker before first use.
- i** The Appliance is equipped with auto-shut off. Depending on the mode you have selected the appliance will have different auto-shut off timing.

4.4 Adjustiing The Volume Of Your Coffee/Hot Water

You can memorize your desired volume of coffee for both strong espresso and mild espresso and also the hot water from 25ml to 250ml.



When making your coffee (either strong espresso or mild espresso) or dispensing hot water, press and hold the button you selected. The appliance will continue to make the cup of coffee.

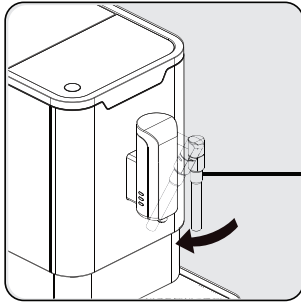
When the volume of coffee meets your desired volume, release the button. Two beep sounds will be heard indicates that the volume of coffee is being memorized.

- i** You can reset the volume of coffee back to the factory setting by selecting the default setting.

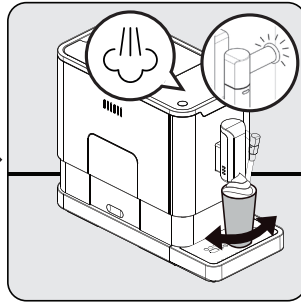
4 Operation

4.5 Preparing Frothy Milk for Coffee

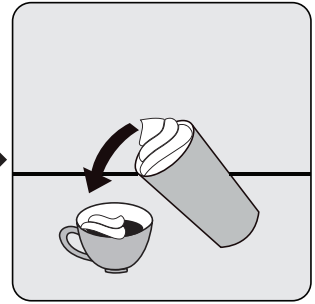
i As the temperature of steam is higher than the temperature of espresso, so espresso should be prepared before making frothy milk; otherwise the espresso might be burnt.



Prepare the espresso coffee with larger cup. Turn the steam nozzle toward to the Drip tray.



Press the steam button. Steam indicator light will flash. Then the appliance is heating up and draining the residual water into the Drip Tray or another container. After the steam indicator light stop flashing and stay on, place a container with milk under the steam nozzle and immerse the steam nozzle about 5cm deep into the container. Swivel the container while the hot steam comes out.



Pour the hot frothy milk into the espresso. Now you can enjoy your coffee.

4.6 Hot Water

The appliance can dispense hot water by simply pressing the hot water button. The hot water button and the illumination will lights up indicates that the appliance is heating up the water. When the hot water button and the illumination turn off, the water is ready to serve.

4 Operation



4.7 Mode Selection




The machine has two different setting: default setting, ECO mode and speed mode. In ECO mode, the appliance helps to save more energy. In speed mode, the user can make their coffee faster than in default setting.


	ECO Mode	Speed Mode	Default Setting
Illumination Light	No	Yes	Yes
Pre-brewing*	Yes	No	Yes
Auto shut off time	10mins	30mins	20mins
Cup Volume memory	Yes	Yes	Yes



The pre-brewing function moistens the grounded beans in the brewer with a small amount of water before full extraction. This expands the coffee grounds to build up a greater pressure in the brewer which help extraction of all the oils and full flavor from the grounded beans.

1. When the machine is in standby condition, press and holds the  for 5 seconds.
2. The  will then be flashing and the following button will have the following indications for different settings:

	Hot water button 	Strong espresso button 	Mild espresso button 
In ECO Mode	Lights ON	Flashing	Flashing
In Speed Mode	Yes	No	Flashing
In Default Setting	Flashing	Flashing	Lights On

3. Press the hot water button for ECO mode, strong espresso button for speed mode and mild espresso button for default setting. Two Beep sound will be heard indicates that the mode is being selected. (Note: If you are pressing the relative lights on button for each mode, the machine will not response).
4. If you would like to remain the setting unchanged, press  again or wait for 5 seconds for the machine to return to the standby condition

5 Cleaning

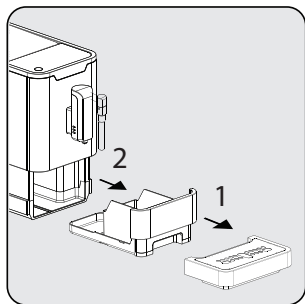
5.1 Cleaning of the appliance

1. Disconnect the power cord from the mains supply outlet.
2. Pour away all the water in the internal and external drip tray
3. Use a dampened cloth or non-scratching cleaner to clean the water stains on the appliance.

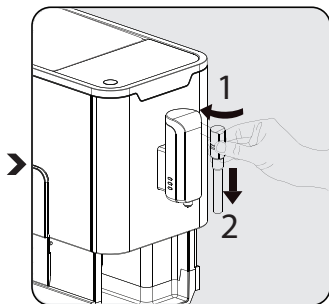


WARNING: Never use any abrasive, vinegar or descaling agents not included in the box to clean the appliance.

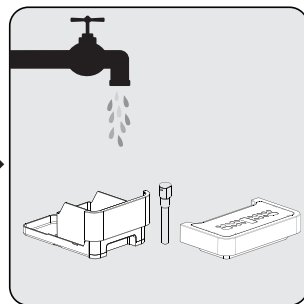
Timely cleaning and maintenance of the appliance is very important in prolonging the life of the appliance.



Remove the external drip tray. Slides open the internal drip tray and the coffee grounds container.



Unlock the nozzle cover by turning it to left. Then pull it downward to remove. Pull the metal tube downward to disassemble the nozzle cover and metal tube.



Empty the coffee grounds container, external drip tray, nozzle cover and metal tube wash it with fresh water. Dry it afterwards.

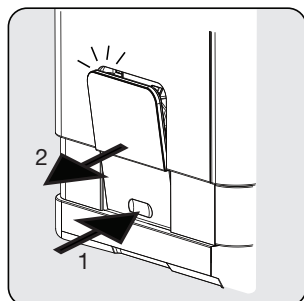


Assembly the metal tube back to the nozzle cover. Then push upward to place the nozzle cover back. And turn it to right to lock it.

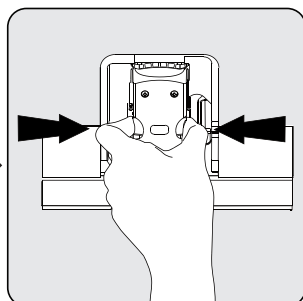


When  lights up, the coffee grounds container needs to be empty.

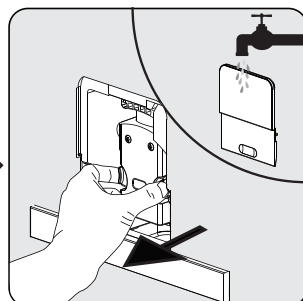
5 Cleaning



Pull down the service door and remove it.



Press the release knob.



Remove the brewer. Wash the brewer with fresh water. Dry the brewer afterwards.



When  lights up stably, it indicates that the brewer is missing / installed improperly. When  is flashing, it indicates that the service door is missing/installed improperly.

5.2 Self-Cleaning




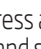

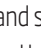
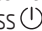
WARNING: Please wait for finishing the self cleaning process and then switch off the machine.

When  is flashing, it indicates that the appliance needs to undergo self-cleaning. The appliance will remain in the best condition if this function is performed at least once a month or more regularly depending on the hardness of water used. It is also suggested that to

1. Fully fill the water tank.
2. Adding one pack of cleaning agent included in the box to the water tank.



WARNING: Do not use vinegar or other cleaning agent to do self-cleaning of this appliance. The cleaning agent might damage the appliance.




3. Plug in the appliance.
4. Place a sufficient large container under the coffee spout.
5. In standby condition, press and hold  and strong espresso button  for 5 seconds. A beep sound will be heard with  and strong espresso button  will be flashing.
6. Press strong espresso button to confirm undergoing the self-cleaning process. To resume back to the standby condition, press .

5 Cleaning

7. Will be flashing indicates that the appliance is undergoing the self-cleaning process.





WARNING: Keep skin/body away from the hot water.

8. When all the water in the water tank is being dispensed out,  and strong espresso button  will be flashing. Remove all the remaining solution in the water tank and fill the tank with normal tap water until the max position. When water is filled into the water tank,  will go off. Then the appliance will continue the self-cleaning process.



9. When the self-cleaning process is completed, the appliance will switch off automatically.

5.3 Empty System Function

The empty system function is recommended to be used before long period of non-use, frost protection and before talking to repair agent.

1. In standby condition, press and hold the  and mild espresso button  together for 5 seconds.

2.  will then be flashing.

3. Remove the water tank from the appliance.  will light up stably indicates that the empty system is under process. You can press  before removing the water tank to resume back to the standby condition.

4. When the empty system function is completed, the appliance will switch off automatically.



WARNING: After perform EMPTY SYSEM FUNCTION; press the hot water button until water can come out from spout when the coffee maker is reused again.

5.4 Manual Rinsing

You can perform a manual rinsing cycle to clean the coffee nozzle after use. It is also suggested to perform a manual rinsing if the appliance has not been used for a long period of time.

1. In standby condition, press and hold the  and hot water button  together.


2. The hot water button , strong espresso button  and mild espresso button  will then goes off. The coffee nozzle will then dispense a small amount of water which is used for the rinsing.



WARNING: Water comes out of the coffee nozzle is hot and is collected in the drip tray underneath. Avoid contact with splashes of water.

3. After rinsing, the appliance will return to the standby condition.

6 Troubleshooting

Problem	Cause	Solution
The appliance does not work.	The appliance is not connected to the mains.	Plug in and press the switch. Check the cable and the Plug
No or delayed response in several trials of pressing on function key on the panel	Appliance is under an electromagnetic interference Dirt over the panel	Unplug the appliance. Restart after few minutes Clean the panel with the cloth provided
The coffee is not hot enough.	The cups have not been preheated. The brewing unit is too cold.	Rinse the appliance at least 3 times before making the coffee.
The coffee cannot come out from spout.	Empty system function maybe used before.	Press the hot water button until water can come out from spout.
The first cup of coffee is poor quality.	The first run of grinder does not pour sufficient quantity coffee power into the brewing unit.	Throw the coffee away. The other coffees will always be of good quality.
The touch buttons are not sensitive	Excessive scale has built up.	Descale the appliance.
The water tank is removed / the water level is very low in the water tank but  have no alert.	The area near the water tank connector is wet.	Wipe the water around the water tank connector
Internal drip tray is filled with a lot of water.	Coffee powder too fine which block the water to come out.	Adjust the coffee fineness to bigger dot during grinder operation.
Coffee is delivered too slowly or a drop at a time.	Coffee powder too fine which block the water to come out.	Adjust the coffee fineness to bigger dot during grinder operation.
Lack of bean indicator flashes but there is still a lot of coffee bean inside the container.	Internal coffee powder outlet is blocked.	To follow the steps of section E (V. Cleaning coffee powder outlet).
The brewer or the coffee ground tray is impossible to remove.	The appliance did not finish the self-cleaning process and was switched off .	Please switch on the machine again and let it finish its auto cleaning process.

Free Manuals Download Website

<http://myh66.com>

<http://usermanuals.us>

<http://www.somanuals.com>

<http://www.4manuals.cc>

<http://www.manual-lib.com>

<http://www.404manual.com>

<http://www.luxmanual.com>

<http://aubethermostatmanual.com>

Golf course search by state

<http://golfingnear.com>

Email search by domain

<http://emailbydomain.com>

Auto manuals search

<http://auto.somanuals.com>

TV manuals search

<http://tv.somanuals.com>