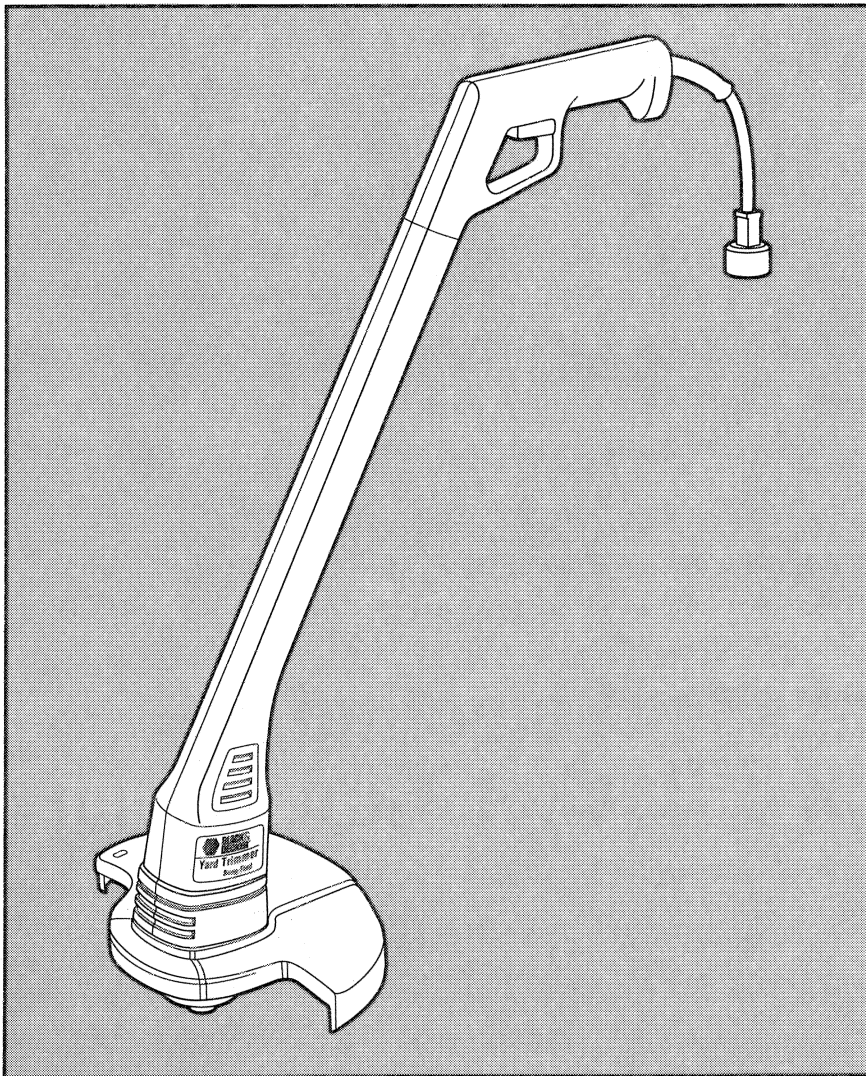


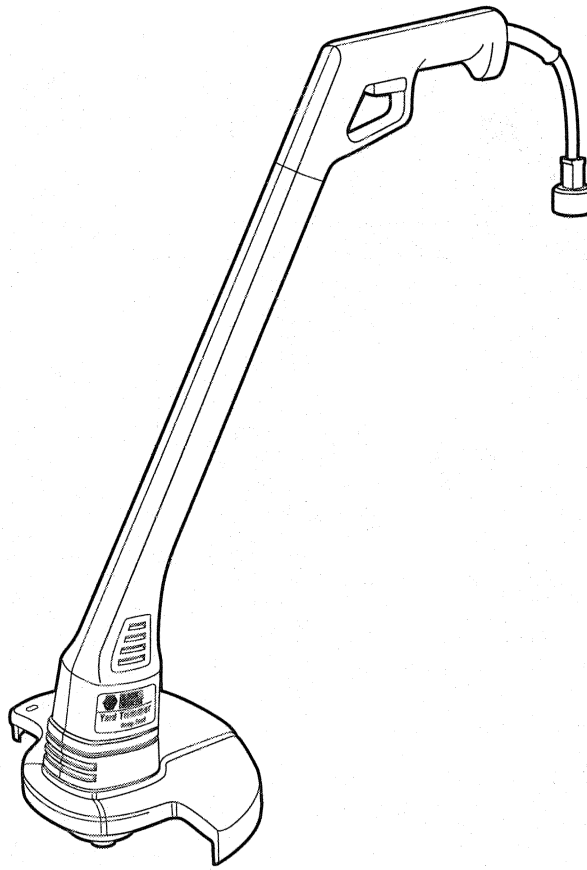


BLACK & DECKER®



Instruction Manual

**Bump Feed Yard Trimmer
82300 (type 2)**



Thanks for Selecting a Black & Decker Yard Trimmer.

Thank you for buying a Black & Decker electric nylon line yard trimmer. High-speed nylon line cuts a wide swath quickly, cleanly to trim grass and weeds along fences, walls, walks, around rocks and trees. Cut-off automatically trims excess line to proper cutting length.

Please take the time to thoroughly read this instruction manual and pay particular attention to the safety instructions we've provided for your protection.

Don't forget to send in your owner's registration card.

Thanks for buying Black & Decker.



BLACK & DECKER®

IMPORTANT SAFETY INSTRUCTIONS

WARNING: When using Electric Tools, basic safety precautions should always be followed to reduce the risk of fire, electric shock, and personal injury, including the following:

READ ALL INSTRUCTIONS

1. **SAFETY SPECTACLES OR GOGGLES** — Wear at all times when trimming.
2. **GUARD** — Do not use trimmer without guard attached.
3. **NYLON LINE** — Keep face, hands and feet clear of rotating nylon line at all times. Do not extend beyond length specified in this manual. Wear long pants to protect your legs.
4. **KEEP ALL BY-STANDERS AWAY** — at a safe distance from work area, especially children.
5. **AVOID ACCIDENTAL STARTING** — don't carry plugged-in tool with finger on trigger.
6. **DO NOT FORCE THE TOOL** — at a rate faster than the rate at which it is able to cut effectively.
7. **USE THE RIGHT TOOL** — Do not use this tool for any job except that for which it is intended.
8. **DON'T OVERREACH** — Keep proper footing and balance at all times.
9. **WARNING** — To prevent electric shock hazard, use only with an extension cord suitable for outdoor use. Always connect extension cords to a fused line or one protected by a circuit breaker.
10. **DON'T ABUSE CORD** — Don't yank cord from receptacle. Keep cords from heat, oil and sharp edges.
11. **EXTENSION CORDS** — to prevent disconnection of extension cord during operation, tie the cords in a knot, as shown in Figure 5.
12. **DAMAGE TO UNIT** — If you strike or become entangled with a foreign object, stop trimmer immediately, unplug, check for damage and have any damage repaired before further operation is attempted. Do not operate with a broken hub or spool.
13. **DAMAGE TO CORD** — Keep power cord away from rotating line. If you damage the extension cord, unplug it at the electrical outlet before moving the trimmer or examining the damage. If there is damage to the extension cord, replace cord before further use.
14. **DISCONNECT TOOL** — When not in use, when replacing line, or prior to cleaning hub.
15. **DRESS PROPERLY** — Don't operate the tool when barefoot or wearing open sandals. Always wear substantial footwear. Use of rubber gloves and substantial rubber soled footwear is recommended when working outdoors.
16. **AVOID DANGEROUS ENVIRONMENTAL CONDITIONS** — Do not use electric tools in damp or wet locations. Follow all instructions in this Instruction Manual for proper operation of your Trimmer.
17. **DON'T USE THE YARD TRIMMER IN THE RAIN.**
18. **DO NOT OPERATE** portable electric tools in gaseous or explosive atmospheres. Motors in these tools normally spark, and the sparks might ignite fumes.
19. **STORE IDLE TOOLS INDOORS** — When not in use, tools should be stored indoors in dry, locked-up places—out of reach of children.
20. **THE ROTATING LINE PERFORMS A CUTTING FUNCTION** — Use care when trimming around screens and desirable plantings.
21. **USE ONLY RECOMMENDED REPLACEMENT LINE-** Do not use heavier line or other line materials, eg metal wire, fishing line or similar materials.

SAVE THESE INSTRUCTIONS

Double Insulation

An Important Consumer Feature

Your tool is **DOUBLE INSULATED** to give you added safety. This means that it is constructed throughout with **TWO** separate "layers" of electrical insulation or one **DOUBLE** thickness of insulation between you and the tool's electrical system.

Tools built with this insulation system are not intended to be grounded. As a result, the extension cord used with your tool can be plugged into any conventional 120 Volt electrical outlet without concern for maintaining a ground connection.

NOTE: DOUBLE INSULATION does not take the place of normal safety precautions when operating this tool. The insulation system is for added protection against injury resulting from a possible electrical insulation failure within the tool.

Assembly

Remove trimmer from carton and examine it thoroughly to make sure it is not damaged.

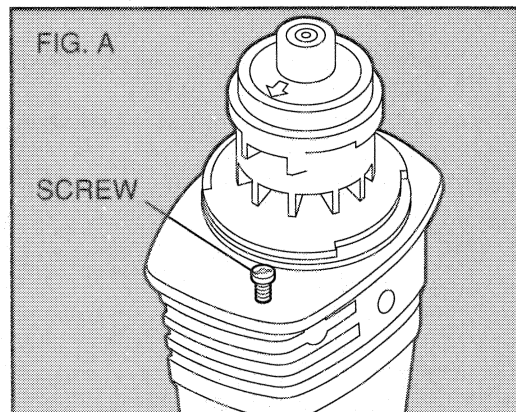
GUARD INSTALLATION:

CAUTION

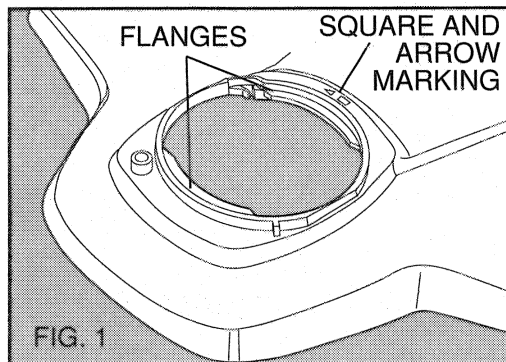
The tool should be unplugged when performing the following.

The guard should always be on the tool to protect the user. The guard has a sharp blade on it to trim the cutting line. Use caution when handling. Check the blade periodically to ensure that it doesn't work loose.

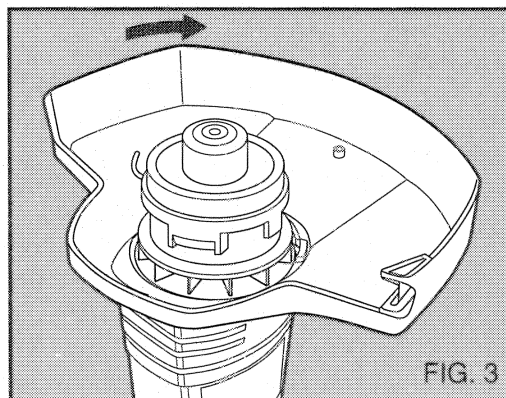
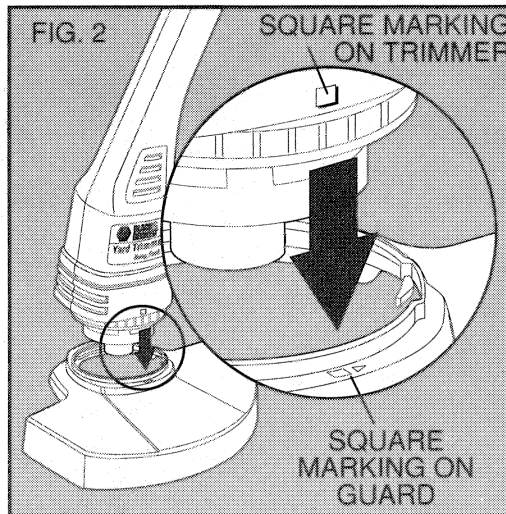
NOTE: The base of the trimmer has a single screw in it, as shown in Figure A. Remove this screw before installing the guard. Save it for later use.



1. Examine the plastic guard and identify the two flanges shown in Figure 1 and the square and arrow markings.

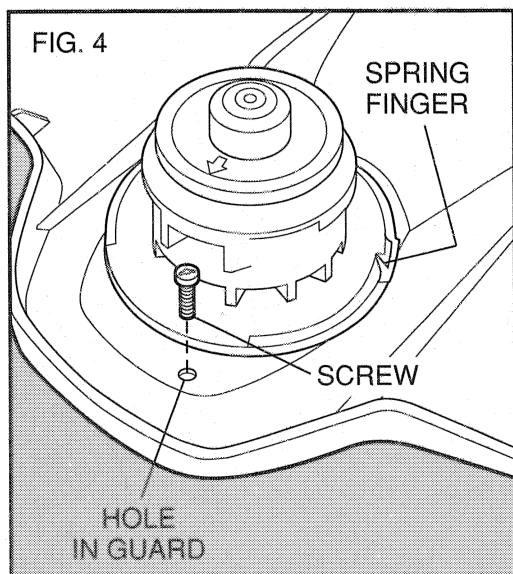


2. Place the guard over the spool, as shown in Figure 2, so that the square marking on the guard aligns with the square marking on the side of the trimmer body. Place the flanges on the guard into the slots in the motor housing. Study Figures 2 & 3 carefully in order to perform this step correctly.



3. With the guard flanges in place, rotate the guard clockwise, as viewed in Figure 3, until it stops.

4. The guard is properly installed when the spring finger is located as shown in Figure 4. The flanges on the guard should not be visible.
5. Re-install the screw you removed before installing the guard. Tighten firmly.



Extension Cords

Double insulated tools have 2-wire cords and can be used with 2-wire or 3-wire extension cords. Only round jacketed extension cords should be used. If the extension will be used outside, the cord must be suitable for outdoor use. Any cord marked as outdoor can also be used for indoor use. (The letters "WA" on the cord jacket indicate that the cord is suitable for outdoor use.)

An extension cord must have adequate wire size (AWG or American Wire Gauge) for safety and to prevent loss of power and overheating. The smaller the gauge number of the wire, the greater the capacity of the cable, that is 14 gauge has more capacity than 16 gauge. When using more than one extension to make up the total length, be sure each individual extension contains at least the minimum wire size.

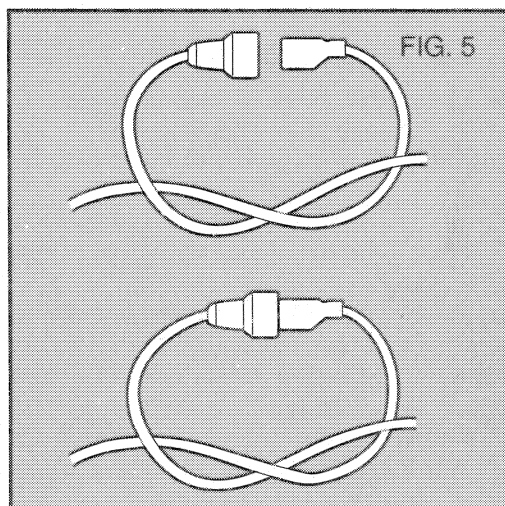
To determine the minimum wire size required, refer to the following chart.

Before using an extension cord, inspect it for loose or exposed wires, damaged insulation, and defective fittings. Make any needed repairs or replace the cord if necessary. Black & Decker has extension cords available that are U.L. (C.S.A. in Canada) listed for outdoor use.

MINIMUM GAUGE FOR CORD SETS

120 Volts RATING-AMPS	TOTAL LENGTH OF CORD IN FEET			
	25 ft.	50ft.	100ft.	150ft
More than	A.W.G.			
Not more than				
0 - 6	18	16	16	14
6 - 10	18	16	14	12
10 - 12	16	16	14	12
12 - 16	14	12	NOT RECOMMENDED	

In order to secure the extension cord to the trimmer cord, tie a loose knot like the one shown in Figure 5.



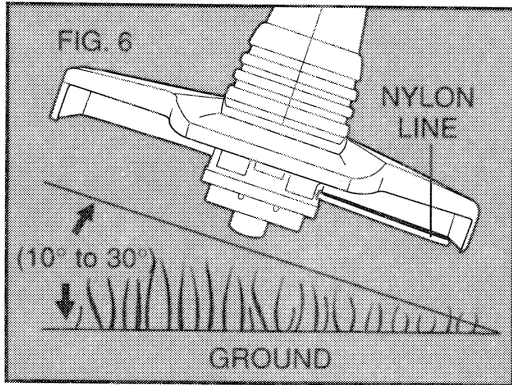
How To Use Your Black & Decker Yard Trimmer

The yard trimmer will cut grass and small weeds in difficult and hard-to-reach places. Proper trimming technique is essential to obtain the maximum in performance and handling ease. As you learn the trimming techniques listed below, you will be able to cut areas around trees, shrubs, foundation walls, along fences, sidewalks, patios, etc., with minimal line wear or line breakage.

CAUTION: Inspect area to be trimmed for any wire, cord, or string-like matter which could become entangled in the rotating line or spool. Be particularly careful to avoid any wire which might be bent outwardly into the path of the tool, such as barbs at the base of a chain link fence.

STEP 1

Tilt trimmer at a slight angle from the ground (Figures 6 and Figure 7).

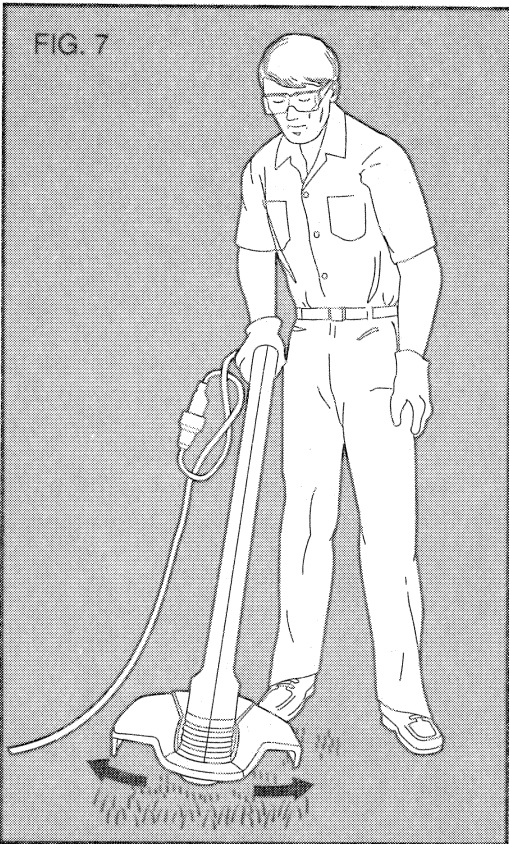


STEP 2

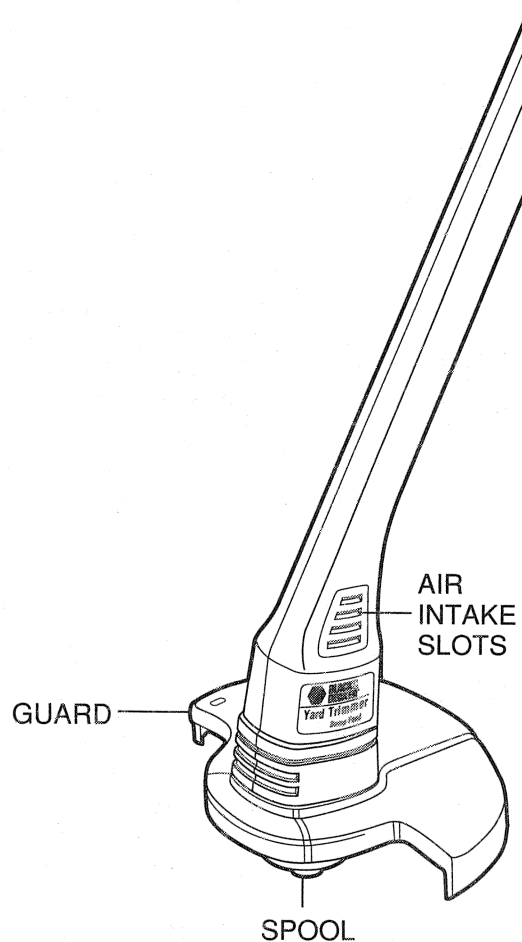
Lower to grass or weeds you intend to cut. (If they are over 20cm (8") high, start cutting at top.)

STEP 3

Slowly swing unit into and out of area being cut, holding the unit off the ground at desired cutting height as indicated (Figure 7).



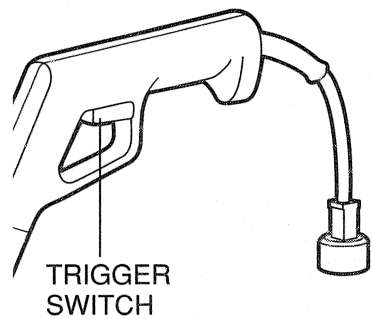
IMPORTANT — for the best cutting action against walls, fences and in high grass, move trimmer slowly so grass is cut **WITH THE TIP** of the high speed nylon line.



Trimming Technique and Performance Notes

1. Avoid running trimmer with hub in contact with ground.
2. **Trim only when grass and weeds are dry.**
3. The life of your nylon line is dependent upon following the above trimming techniques, as well as what is being cut, and where the cutting is being done.

EXAMPLE: Line will wear faster when run against a foundation wall as compared to trimming around a tree. Some line breakage will occur from feeding unit too fast, from entanglement with foreign matter, from normal line fatigue, and from attempting to cut thick, stalky weeds in excess of unit's capability.



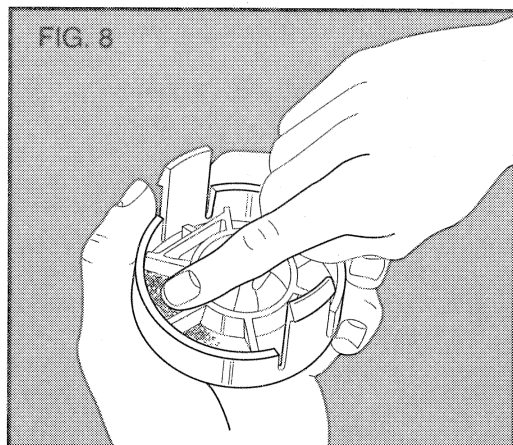
NOTE: As the weather becomes cooler, the tendency for the nylon line to break becomes greater.

DO NOT USE UNIT WHEN TEMPERATURE IS BELOW 50° F

4. For best performance, as the line wears, lengthen as indicated in Line Feeding Procedure.
5. **Periodically unplug extension cord at trimmer and remove the accumulation of grass or cutting debris from the inside of the bump cap shroud as shown in Figure 8.** Also clean debris from the air intake slots.

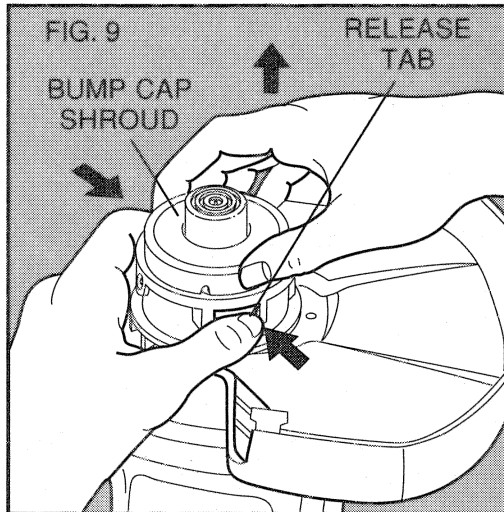
Line Feeding Procedure

In order to feed a length of cutting line, strike the bump cap on the lawn while the trimmer is running. This will automatically feed a new length of line and trim it to the correct length. A firm but gentle motion should be used to strike the bump cap. The unit should be angled slightly forward to prevent the guard from contacting the ground. This process may be repeated as often as necessary. If unit fails to feed, unplug extension cord at trimmer and clean out the bump cap (See Figure 8).



Spool Replacement and Recovery of Line Broken Off Inside Spool

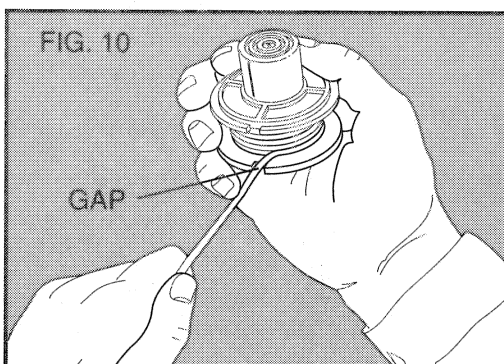
1. Unplug extension cord at trimmer.
2. Remove the bump cap shroud by pulling up while depressing the two release tabs on the sides of the hub at the points shown in Figure 9.



NOTE: It may be necessary to pull up on the shroud while depressing the release tabs one side at a time.

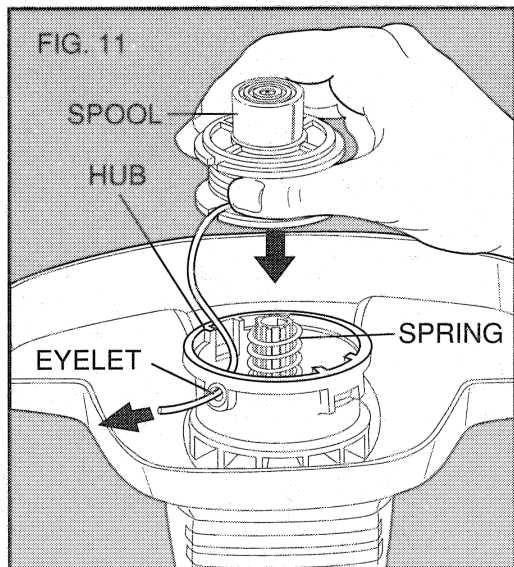
NOTE: The cutting line is quite springy and can be awkward to handle.

3. Remove any broken cutting line, wrap the remaining line tight and reinsert spool into hub as follows.
 - a. Wind the line tight enough so that it is all below the edges of the flanges on the spool. If it extends past the flanges, it won't fit into the hub.
 - b. Place the loose end of the cutting line through the gap in the spool flange as shown in Figure 10.



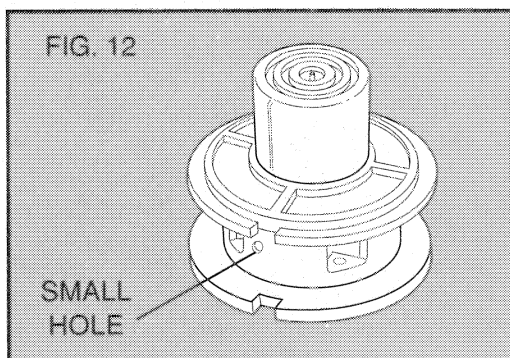
(Either gap will do but try to leave yourself about 3 or 4 inches of line to work with as shown in the figure.)

- c. Holding the line in the gap, insert the end through the eyelet in the hub and slip the spool into the hub, as shown in Figure 11.

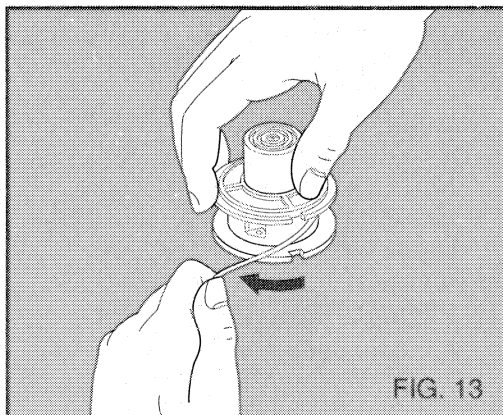


Make sure the spring is still in place in the hub. If the spool does not slip into the hub easily, press gently and pull straight out on the cutting line that protrudes through the eyelet.

4. Once the spool drops into the hub, align the release tabs on the shroud with the slots in the hub and press the shroud into place. Be sure that both release tabs snap into place.
5. To replace the line on a spool, follow the steps below.
 - a. Locate, on the empty spool, one of the two small holes shown in Figure 12.



- b. Insert the end of the line no more than 1/8" into the hole and begin winding the line around the spool. Be sure to wind the line in the direction of the arrow in Figure 13.
- c. Perform steps 3 and 4.



Maintenance- Unplug Extension Cord at Trimmer

MAINTAIN TOOL WITH CARE

1. Keep the air intake slots clean to avoid overheating which will damage trimmer. For this cleaning, use a dry brush or cloth to remove grass, sap or other debris.
2. Plastic parts may be cleaned by using a mild soap and a rag dampened with hot water. Avoid all other types of detergents, cleaners or solvents which might contain chemicals that could seriously damage the plastic. Do not spray the Trimmer with water.
3. Self lubricating bearings are used in the tool and periodic relubrication is not required. However, it is recommended that after two or three seasons of use, you take or send the trimmer to a Black & Decker Service Center or Authorized Service Station (see TOOLS, ELECTRIC in Yellow Pages) for a thorough cleaning, inspection and relubrication. If the tool is being used professionally, the above should be accomplished after each trimming season.

4. If Trimmer fails to operate, disconnect extension cord from power source first, then from Trimmer. Make sure extension cord is undamaged and that house fuses are not blown or circuit breakers tripped. If Trimmer still fails to operate, take or send it to your local B&D Service Center or Authorized Service Station for repair. Do not attempt to repair it yourself.

Important

To assure product SAFETY and RELIABILITY, repairs, maintenance and adjustment (other than included in this manual) should be performed by a Black & Decker Service Center or Authorized Service Station, always using Black & Decker replacement parts. When servicing Double-Insulated Tools, use ONLY IDENTICAL REPLACEMENT PARTS.

Accessories

The accessories listed in this manual are available at extra cost from your local dealer or Black & Decker Service Center.

A complete listing of service centers is included on the owner's registration card packed with your tool.

If you need assistance in locating any accessory please contact:

Black & Decker (U.S.) Inc.
Consumer Service Department
626 Hanover Pike
P.O. Box 618
Hampstead, MD 21074-0618

Use only specially treated .065" diameter Black & Decker Monofilament Nylon Line with your Yard Trimmer.

Cat. No. 82-136-02 Replacement Spool with 20 feet of Nylon Line.

Cat. No. 82-602 Hank of bulk .065" dia. Nylon Line. (50 feet)

Cat. No. 82-611 One pound .065" dia. Nylon Line.

CAUTION: Use only the accessories listed in this manual with your Yard Trimmer. The use of any other attachment or accessory might be hazardous.

NOTE: Always include date code numbers on all correspondence. This 4 or 5 digit number is stamped into the motor housing.

Every Black & Decker tool is of the highest quality. If you wish to contact us regarding this product, please call toll free between 8:00 a.m. and 5:00 p.m. ET, Monday through Friday.
1-800-762-6672

Notes

Home Use Warranty

(A Full One Year Warranty)

Black & Decker (U.S.) Inc. warrants this product for one year against any defects that are due to faulty material or workmanship. Please return the complete unit, transportation prepaid, to the seller (if a participating retailer) for free replacement (proof of purchase may be required). The unit may also be returned to a Black & Decker Service Center or Authorized Service Station, listed under "Tools Electric" in the yellow pages for free replacement or repair at our option.

This warranty does not apply to accessories. This warranty gives you specific legal rights and you may have other rights which vary from state to state. Should you have any questions, contact your nearest Black & Decker Service Manager.

Like most Black & Decker tools, your Yard Trimmer is listed by Underwriter's Laboratories to ensure that it meets stringent safety requirements.

This symbol on the nameplate means the product is listed by Underwriters Laboratories, Inc.



See 'Tools-Electric'
-Yellow Pages-
for Service & Sales



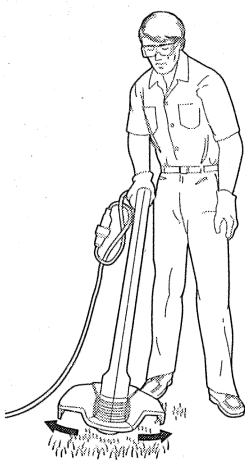
BLACK & DECKER

(JAN90-CD-2) Copyright ©1989 Black & Decker Printed in U.S.A.
Black & Decker (U.S.) Inc., U.S. Power Tools Group, 10 North Park Drive, P.O. 798, Hunt Valley, MD 21030-0798

Form No. 741947

82300 (type 2)

Don't run out of nylon line in the middle of a trimming job.



Stock up with replacement line... order spools, hanks now...

Just check the model number of your B&D Yard Trimmer now...and order a supply of replacement line. Then...if your line runs out while you're trimming...you can snap in a new line simply and easily. To order just check off your needs on the handy order form on the back side and we'll ship it to you right away.

**CHECK YOUR
MODEL
NUMBER
AND
ORDER YOUR
SUPPLY NOW**

See reverse side for ordering details.

**Save
up to 10%**

**Save
up to 20%**

Model#	Cat.#/Description	Price Each	Price for 2	Price for 3
82300	82-136 pre wound spool	5.99	10.80	14.40
Nylon line in 50 ft. hanks for winding on empty spool or disc.				
82300	82-602 .065" line	1.99	3.60	5.40

cut here

To order by mail, drop this customer order form in an envelope and mail.

**Check Chart for Proper Model Number
Before Ordering**

Catalog Number	Price Each	SAVE Order Two	SAVE Order Three	Qty.	Total Amount
82-136	5.99	10.80	14.40		
82-602	1.99	3.60	5.40		
Shipping and Handling Fee Chart If your order is . . . Up to \$9.99, add \$1.00 \$10.00 and over, add \$1.75	SUBTOTAL				\$
	ADD LOCAL SALES TAX				\$
	<small>(Except DE, DC, ID, MT, SD, ND, WY, MS, NH, RI, VT.)</small>				
	SHIPPING/HANDLING				\$
TOTAL AMOUNT				\$	

Cut out and mail this form to:
Yard Trimmer Line Offer
Black & Decker
P.O. Box 600
Hampstead, MD 21074-0600

**Grass Trimmer Line Offer
Customer Order Form**

Model No. of B&D Trimmer purchased _____

Name _____

Street Address _____

City _____ State _____ Zip _____

Method of Payment: DO NOT SEND CASH. C.O.D.
orders can not be accepted.

Check or M.O.: Payable to Black & Decker (U.S.) Inc.
 VISA MASTERCARD

Card Number

Expiration Date _____ / _____
Month Year

Cardholder's Sig. _____

Offer good in United States only. Prices subject
to change.

Expect delivery in 4 weeks.

See your local dealer who may have these products.

Free Manuals Download Website

<http://myh66.com>

<http://usermanuals.us>

<http://www.somanuals.com>

<http://www.4manuals.cc>

<http://www.manual-lib.com>

<http://www.404manual.com>

<http://www.luxmanual.com>

<http://aubethermostatmanual.com>

Golf course search by state

<http://golfingnear.com>

Email search by domain

<http://emailbydomain.com>

Auto manuals search

<http://auto.somanuals.com>

TV manuals search

<http://tv.somanuals.com>