

CS1500

English

4

РУССКИЙ ЯЗЫК

10

FIG.A

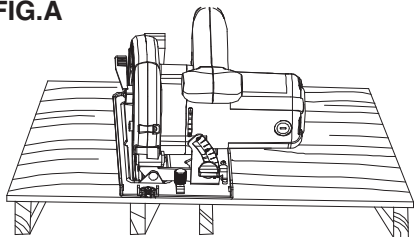


FIG.B

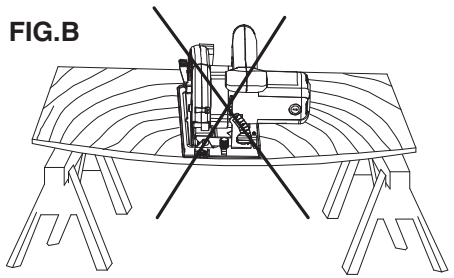


FIG.C

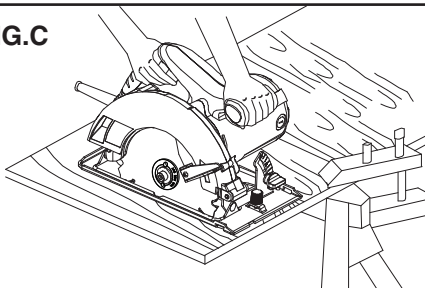


FIG.D

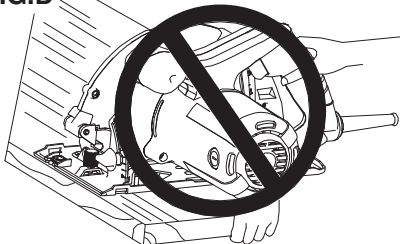


FIG.E

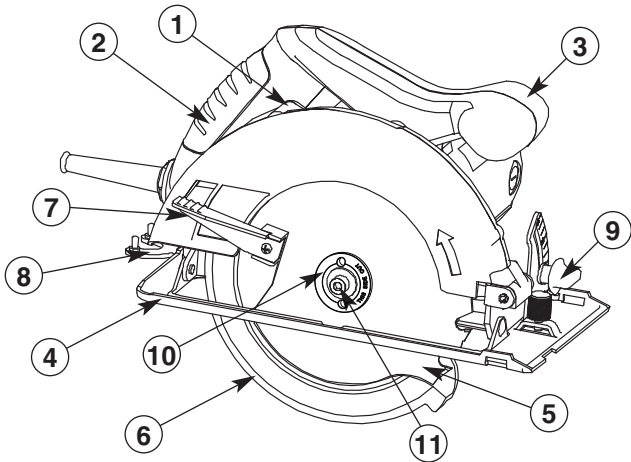


FIG.F

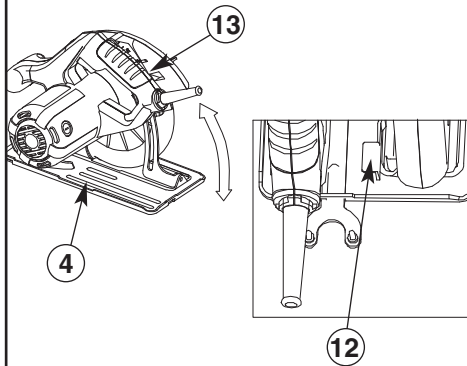
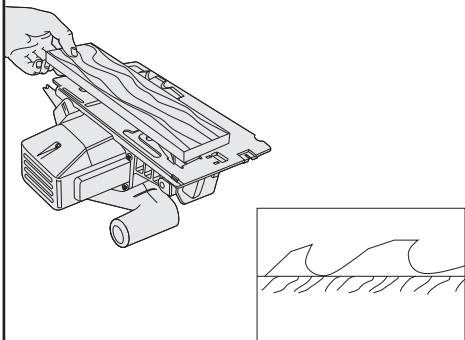
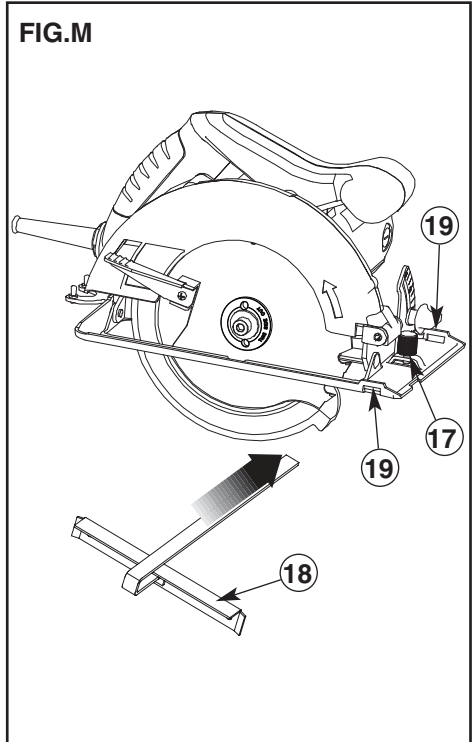
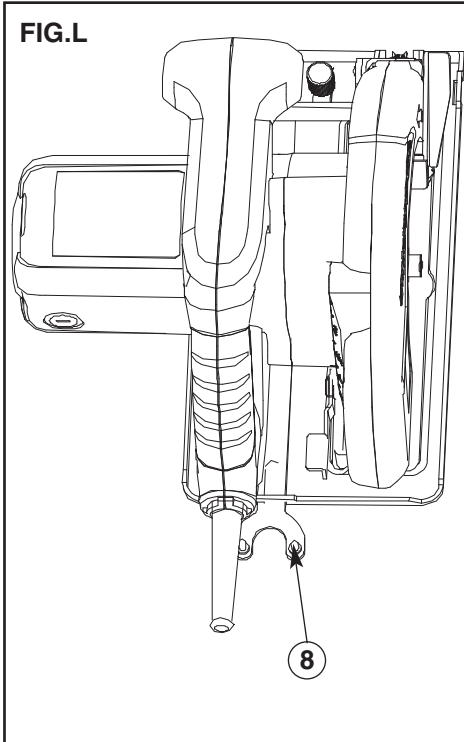
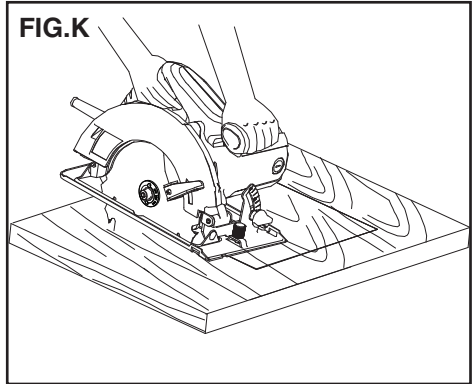
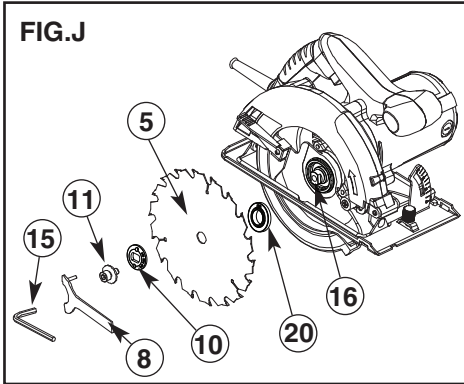
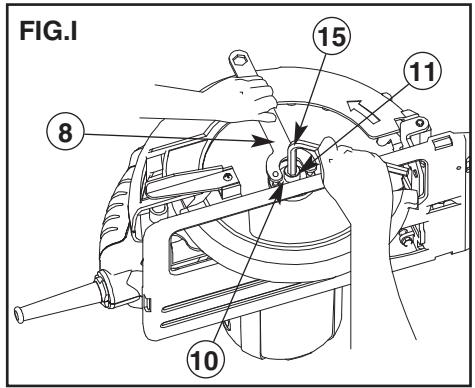
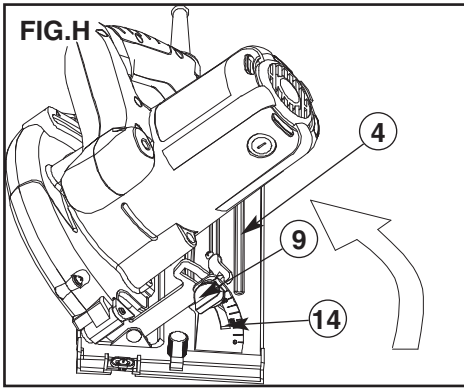


FIG.G





CS1500 1600W Circular Saw

TECHNICAL DATA

SPECIFICATION	CS1500	
VOLTAGE	V	230
INPUT	W	1600
NO-LOAD SPEED	/min	5500
MAX. BLADE DIAMETER	mm	185
MAX. CUTTING DEPTH	mm	62

INTENDED USE

Your Black & Decker saw has been designed for sawing wood and wood products. This tool is intended for consumer use only.

GENERAL SAFETY RULES

Warning! Read and understand all instructions.

Failure to follow all instructions listed below, may result in electric shock, fire and/or serious personal injury.

SAFE THESE INSTRUCTIONS

SAFETY INSTRUCTIONS



General power tool safety warnings.

Warning! Read all safety warnings and all instructions. Failure to follow the warnings and instructions listed below may result in electric shock, fire and/or serious injury.

Save all warnings and instructions for future reference.

The term "power tool" in all of the warnings listed below refers to your mains operated (corded) power tool or battery operated (cordless) power tool.

1. Work area

- Keep work area clean and well lit.** Cluttered and dark areas invite accidents.
- Do not operate power tools in explosive atmospheres, such as in the presence of flammable liquids, gases or dust.** Power tools create sparks which may ignite the dust or fumes.
- Keep children and bystanders away while operating a power tool.** Distractions can cause you to lose control.

2. Electrical safety

- Power tool plugs must match the outlet. Never modify the plug in any way. Do not use any adapter plugs with earthed (grounded) power tools.** Unmodified plugs and matching outlets will reduce risk of electric shock.
- Avoid body contact with earthed or grounded surfaces such as pipes, radiators, ranges and refrigerators.** There is an increased risk of electric shock if your body is earthed or grounded.
- Do not expose power tools to rain or wet conditions.** Water entering a power tool will increase

the risk of electric shock.

- Do not abuse the cord. Never use the cord for carrying, pulling or unplugging the power tool. Keep cord away from heat, oil, sharp edges or moving parts.** Damaged or entangled cords increase the risk of electric shock.
 - When operating a power tool outdoors, use an extension cord suitable for outdoor use.** Use of a cord suitable for outdoor use reduces the risk of electric shock.
 - If operating a power tool in a damp location is unavoidable, use a residual current device (RCD) protected supply.** Use of an RCD reduces the risk of electric shock.
- Personal safety**
 - Stay alert, watch what you are doing and use common sense when operating a power tool. Do not use a power tool while you are tired or under the influence of drugs, alcohol or medication.** A moment of inattention while operating power tools may result in serious personal injury.
 - Use safety equipment. Always wear eye protection.** Safety equipment such as dust mask, non-skid safety shoes, hard hat, or hearing protection used for appropriate conditions will reduce personal injuries.
 - Prevent unintentional starting. Ensure the switch is in the off-position before connecting to power source and/or battery pack, picking up or carrying the tool.** Carrying power tools with your finger on the switch or energising power tools that have the switch on invites accidents.
 - Remove any adjusting key or wrench before turning the power tool on.** A wrench or a key left attached to a rotating part of the power tool may result in personal injury.
 - Do not overreach. Keep proper footing and balance at all times.** This enables better control of the power tool in unexpected situations.
 - Dress properly. Do not wear loose clothing or jewellery. Keep your hair, clothing and gloves away from moving parts.** Loose clothes, jewellery or long hair can be caught in moving parts.
 - If devices are provided for the connection of dust extraction and collection facilities, ensure these are connected and properly used.** Use of these devices can reduce dust related hazards.
 - Power tool use and care**
 - Do not force the power tool. Use the correct power tool for your application.** The correct power tool will do the job better and safer at the rate for which it was designed.
 - Do not use the power tool if the switch does not turn it on and off.** Any power tool that cannot be controlled with the switch is dangerous and must be repaired.

- c. **Disconnect the plug from the power source and/or the battery pack from the power tool before making any adjustments, changing accessories, or storing power tools.** Such preventive safety measures reduce the risk of starting the power tool accidentally
- d. **Store idle power tools out of the reach of children and do not allow persons unfamiliar with the power tool or these instructions to operate the power tool.** Power tools are dangerous in the hands of untrained users.
- e. **Maintain power tools. Check for misalignment or binding of moving parts, breakage of parts and any other condition that may affect the power tools operation.** If damaged, have the power tool repaired before use. Many accidents are caused by poorly maintained power tools.
- f. **Keep cutting tools sharp and clean.** Properly maintained cutting tools with sharp cutting edges are less likely to bind and are easier to control.
- g. **Use the power tool, accessories and tool bits etc. in accordance with these instructions, taking into account the working conditions and the work to be performed.** Use of the power tool for operations different from those intended could result in a hazardous situation.

5. Service

- a. **Have your power tool serviced by a qualified repair person using only identical replacement parts.** This will ensure that the safety of the power tool is maintained.

6. Electrical safety



This appliance is double insulated therefore no earth wire is required. Always check that the power supply corresponds to the voltage on the rating plate.



Warning! If the power cord is damaged, it must be replaced by the manufacturer, authorized Black & Decker Service Center or an equally qualified person in order to avoid damage or injury. If the power cord is replaced by an equally qualified person, but not authorized by Black & Decker, the warranty will not be valid.

7. Labels on tool

The label on your tool may include the following symbols:

- VVolts
- A.....Amperes
- HzHertz
- WWatts
- minminutes
- ~Alternating Current
- ==Direct Current
- n₀No-Load Speed

-Class II Construction
-Earthing Terminal
-Safe Alert Symbol
- .../minRevolutions or Reciprocation per
-Read instructions manual

- For tools intended to cut wood, instruction on correct use of the dust collection system.
- For tools intended to cut wood, instruction to wear a dust mask.
- Instruction to only use saw blades recommended.
- Instruction to always wear hearing protection.

SAFETY INTRUCTIONS FOR ALL SAWS

DANGER:

- a. **Keep hands away from cutting area and the blade. Keep your second hand on auxiliary handle, or motor housing.** If both hands are holding the saw, they cannot be cut by the blade.
- b. **Do not reach underneath the workpiece.** The guard cannot protect you from the blade below the workpiece.
- c. **Adjust the cutting depth to the thickness of the workpiece.** Less than a full tooth of the blade teeth should be visible below the workpiece.
- d. **Never hold piece being cut in your hands or across your leg.** Secure the workpiece to a stable platform. It is important to support the work properly to minimize body exposure, blade binding, or loss of control.
- e. **Hold power tool by insulated gripping surfaces when performing an operation where the cutting tool may contact hidden wiring or its own cord.** Contact with a "live" wire will also make exposed metal parts of the power tool "live" and shock the operator.
- f. **When ripping always use a rip fence or straight edge guide.** This improves the accuracy of cut and reduces the chance of blade binding.
- g. **Always use blades with correct size and shape (diamond versus round) of arbour holes.** Blades that do not match the mounting hardware of the saw will run eccentrically, causing loss of control.
- h. **Never use damaged or incorrect blade washers or bolt.** The blade washers and bolt were specially designed for your saw, for optimum performance and safety of operation.

FURTHER SAFETY INSTRUCTIONS FOR ALL SAWS

Causes and operator prevention of kickback:

- Kickback is a sudden reaction to a pinched, bound or misaligned saw blade, causing an uncontrolled saw to lift up and out of the workpiece toward the operator;
- When the blade is pinched or bound tightly by the kerf closing down, the blade stalls and the motor reaction drives the unit rapidly back toward the operator;

- If the blade becomes twisted or misaligned in the cut, the teeth at the back edge of the blade can dig into the top surface of the wood causing the blade to climb out of the kerf and jump back toward the operator.
 - Kickback is the result of saw misuse and/or incorrect operating procedures or conditions and can be avoided by taking proper precautions as given below.
- a. **Maintain a firm grip with both hands on the saw and position your arms to resist kickback forces.** Position your body to either side of the blade, but not in line with the blade. Kickback could cause the saw to jump backwards, but kickback forces can be controlled by the operator, if proper precautions are taken.

NOTE For circular saws with 185 mm or smaller diameter blades, the words "with both hands" may be omitted.

- b. **When blade is binding, or when interrupting a cut for any reason, release the trigger and hold the saw motionless in the material until the blade comes to a complete stop.** Never attempt to remove the saw from the work or pull the saw backward while the blade is in motion or kickback may occur. Investigate and take corrective actions to eliminate the cause of blade binding.
- c. **When restarting a saw in the workpiece, centre the saw blade in the kerf and check that saw teeth are not engaged into the material.** If saw blade is binding, it may walk up or kickback from the workpiece as the saw is restarted.
- d. **Support large panels to minimise the risk of blade pinching and KICKBACK.** Large panels tend to sag under their own weight. Supports must be placed under the panel on both sides, near the line of cut and near the edge of the panel.
- e. **Do not use dull or damaged blades.** Unsharpened or improperly set blades produce narrow kerf causing excessive friction, blade binding and kickback.
- f. **Blade depth and bevel adjusting locking levers must be tight and secure before making cut.** If blade adjustment shifts while cutting, it may cause binding and kickback.
- g. **Use extra caution when making a "plunge cut" into existing walls or other blind areas.** The protruding blade may cut objects that can cause kickback.

SAFETY INSTRUCTIONS FOR CIRCULAR SAW LOWER GUARD FUNCTION

- a. **Check lower guard for proper closing before each use. Do not operate the saw if lower guard does not move freely and close instantly. Never clamp or tie the lower guard into the open position.** If saw is accidentally dropped, lower guard may be bent. Raise the lower guard with the retracting handle and make sure it moves freely and does not touch the blade or any other part, in all angles and

depths of cut.


- b. **Check the operation of the lower guard spring. If the guard and the spring are not operating properly, they must be serviced before use.** Lower guard may operate sluggishly due to damaged parts, gummy deposits, or a build-up of debris.
- c. **Lower guard may be retracted manually only for special cuts such as "plunge cuts" and "compound cuts."** Raise lower guard by retracting handle and as soon as blade enters the material, the lower guard must be released. For all other sawing, the lower guard should operate automatically.
- d. **Always observe that the lower guard is covering the blade before placing saw down on bench or floor.** An unprotected, coasting blade will cause the saw to walk backwards, cutting whatever is in its path. Be aware of the time it takes for the blade to stop after switch is released.


SAFETY INSTRUCTIONS FOR CIRCULAR SAW

- a. **Check guard for proper closing before each use. Do not operate the saw if guard does not move freely and enclose the blade instantly.** Never clamp or tie the guard with the blade exposed. If saw is accidentally dropped, guard may be bent. Check to make sure that guard moves freely and does not touch the blade or any other part, in all angles and depths of cut.
- b. **Check the operation and condition of the guard return spring. If the guard and the spring are not operating properly, they must be serviced before use.** Guard may operate sluggishly due to damaged parts, gummy deposits, or a build-up of debris.
- c. **Assure that the guide plate of the saw will not shift while performing the "plunge cut" when the blade bevel setting is not at 90°.** Blade shifting sideways will cause binding and likely kick back.
- d. **Always observe that the guard is covering the blade before placing saw down on bench or floor.** An unprotected, coasting blade will cause the saw to walk backwards, cutting whatever is in its path. Be aware of the time it takes for the blade to stop after switch is released.

SAFETY GUIDELINES/DEFINITIONS

It is important for you to read and understand this manual. The information it contains relates to protecting **Your Safety and Preventing Problems.** The symbols below are used to help you recognize this information.

 **Danger!** Indicates an imminently hazardous situation which, if not avoided, will result in death or serious injury.

 **Warning!** Indicates a potentially hazardous situation which, if not avoided, could result in death or serious injury.

 **Caution!** Indicates a potentially hazardous

situation which, if not avoided, may result in minor or moderate injury.

⚠ Caution! Used without the safety alert symbol indicates potentially hazardous situation which, if not avoided, may result in property damage.

ADDITIONAL SAFETY RULES FOR CIRCULAR SAW

⚠ Warning! Use of this tool can generate and/or disburse dust, which may cause serious and permanent respiratory or other injury. Always use NIOSH/OSHA approved respiratory protection appropriate for the dust exposure. Direct particles away from face and body.

⚠ Caution! Wear appropriate hearing protection during use. Under some conditions and duration of use, noise from this product may contribute to hearing loss.

- **Snagging the lower guard on a surface below the material being cut can momentarily reduce operatol control.** The saw can lift partially out of the cut increasing the chance of blade twist. Ensure there is sufficient clearance under the workpiece.
- **When necessary to raise lower guard manually, use the retracting lever.**
- **Keep the Blades Clean and Sharp.** Sharp blades minimize stalling and kickback. The use of dull and/or dirty blades can increase the saw loading causing the operator to push harder which promotes twisting.

⚠ Caution! Laceration Hazard. Keep hands away from cutting areas. Keep hands away from blades. Never place hands in front of or behind the path of the blade while cutting. Do not reach underneath work while blade is rotating. Do not attempt to remove cut material when blade is moving.

- **Support large panels.** Large panels must be supported as shown (Fig. A) in this manual to minimize the risk of blade pinching and kickback. Material supported only at the ends (Fig. B) will lead to blade pinching. When cutting operation requires the resting of the saw on the workpiece, the saw shall be rested on the larger portion and the smaller piece cut off.
- **Use only correct blades and blade assembly components when mounting blades.** Do not use blades with incorrect size holes. Never use defective or incorrect blade washers or bolts. Follow blade assembly procedures.
- **Adjustments. Before cutting be sure depth and bevel adjustments are tight.**
- **Support and secure the work properly.** Insure that the material to be cut is clamped (Fig. C) and solidly supported and balanced on a strong, stable and level work surface. Support the work so that the wide portion of the saw shoe is on the portion of the material that doesn't fall after the cut is made. Never hold cut off piece by hand (Fig. D). KICKBACK from blade pinch can result. Keep both hands on saw at all

times.

- **Stay alert and exercise control. Keep body positioned to one side of blade.** Always maintain a firm grip and control of saw with both hands. Do not change hand grip or body position while saw is running. Take precaution to avoid injury from cut off pieces and other falling material during operation.

⚠ Danger! Release switch immediately if blade binds or saw stalls.

FEATURES (Fig. E)

1. On/Off Switch
 2. Main Handle
 3. Secondary Handle
 4. Shoe
 5. Saw Blade
 6. Saw Blade Guard
 7. Blade Guard Retracting Lever
 8. Saw Blade Spanner Wrench
 9. Bevel Adjustment Knob
 10. Outer Washer
 11. Blade Retaining Screw
- Saw Blade Hex Wrench (Shown on Fig. I (15))
Rip Fence (Shown on Fig. M (18))
Inner Flange (Shown on Fig. J (20))

ASSEMBLY/ADJUSTMENT SET-UP

⚠ Warning! Always unplug saw from power supply before any of the following operations.

Adjusting the Depth of Cut (Fig. F and G)

The depth of cut should be set according to the thickness of the workpiece.

- Loosen the lever (12) to unlock the saw shoe.
- Move the saw shoe (4) into the desired position. The corresponding depth of cut can be read from the scale (13).
- Tighten the lever to lock the saw shoe in place.
- Set depth adjustment of saw such that one tooth of the blade projects below the workpiece as shown in Fig. G.

Adjusting the Bevel Angle (Fig. H)

This tool can be set to bevel angles between 0° and 45°

- Loosen the locking knob (9) to unlock the saw shoe.
- Move the saw shoe (4) into the desired position. The corresponding bevel angle can be read from the scale (14).
- Tighten the locking knob to lock the saw shoe in place.

Attaching the Blade (Fig. I and J)

- To prevent spindle rotation engage the protrusions of the spanner wrench (8) into the holes in the outer washer (10) as shown in Fig. I.
- Loosen and remove the blade retaining screw (11) by turning the hex wrench (15) counter- clockwise.
- Remove the outer washer.

- Check and re-assembly inner flange (20) on spindle (16). Insure the correct side of inner flange (20) faces outward and match saw blade.
 - Place the saw blade (5) onto the inner flange (20), making sure that the arrow on the blade points in the same direction as the arrow on the tool.
 - Fit the outer washer (10) on the spindle.
 - Insert the blade retaining screw (11) into the hole in the spindle.
 - Prevent spindle rotation by engaging the spanne wrench into the holes of the outer washer.
 - Securely tighten the blade retaining screw by holding the spanner wrench and turning hex wrench clockwise to tighten the blade retaining screw.
- ⚠ Warning!** Inner flange (20) respectively marked with “19” and “20”, match the saw blade (5) with 19mm or 20mm diameter arbor.

Removing the Blade

- To prevent spindle rotation, engage the protrusions of the spanner wrench (8) into the holes in the outer washer (10).
 - Loosen and remove the blade retaining screw (11) by turning it counterclockwise using the hex wrench (15).
 - Remove the outer washer (10).
 - Remove the saw blade (5).
- ⚠ Warning!** To reduce the risk of serious personal injury, read, understand and follow all important safety warnings and instructions prior to using tool.

GENERAL CUTS

Guard Against Kickback

With unit unplugged, follow all assembly, adjustment and set up instructions. Make sure lower guard operates. Select the proper blade for the material to be cut.

- Measure and mark work for cutting.
- Support and secure work properly (See Safety Rules and Instructions).
- Use appropriate and required safety equipment (See Safety Rules).
- Secure and maintain work area (See Safety Rules).
- With plug inserted and guard closed, make sure switch turns saw on and off.

⚠ Warning! It is important to support the work properly and to hold the saw firmly to prevent loss of control which could cause personal injury. Fig. C illustrates recommended hand position.

OPERATION

Switch

- To operate the tool, depress the trigger switch (1). The tool will continue to run as long as the trigger is depressed.
- To turn the tool off, release the trigger switch (1). There is no provision for locking the tool on, and the switch should never be locked on by any other means.

Sawing

⚠ Warning! To reduce the risk of serious personal injury, always hold the tool with both hands.

- Let the blade run freely for a few seconds before starting the cut.
- Apply only a gentle pressure to the tool while performing the cut.
- Work with the shoe pressed against the workpiece.

HINTS FOR OPTIMUM USE

- As some splintering along the line of cut on the top side of the workpiece cannot be avoided, cut on the side where splintering is acceptable.
- Where splintering is to be minimized, e.g. when cutting laminates, clamp a piece of plywood onto the top of the workpiece.

Pocket Cutting (Fig. K)

Pocket cutting is used to cut a hole in a piece of material without cutting from the side.

- Measure and mark work.
- Tilt saw forward and rest front of the shoe on material to be cut. Align so that cut will begin at the back of the drawn rectangle shown in Fig. K.
- Using the retracting lever, retract blade guard to an upward position, with the blade just clearing the material, start motor and gradually lower the saw into the material.

⚠ Warning! As blade starts cutting the material, release the retracting lever immediately.

- Never tie the blade guard in a raised position.
- When the shoe rests flat on the material being cut, complete the cut in forward direction.
- Allow the blade to come to a complete stop before lifting saw from material.
- When starting each new cut, repeat the above steps.

Wrench Storage (Fig. L)

The spanner wrench (8) can be stored on the saw shoe as shown in Fig. L.

Attaching and Removing the Rip Fence (Fig. M)

The rip fence is used to saw in a straight line parallel to the edge of the working piece.

Attaching

- Loosen the locking knob (17).
- Insert the rip fence (18) through the openings (19).
- Slide the rip fence into the desired position.
- Tighten the locking knob.

Removing

- Loosen the locking knob.
- Pull the rip fence out of the tool. Note: If you do not have a proper fitting fence, use a straight edge guide in contact with the edge of the shoe to improve accuracy of cut and reduce the possibility of binding

and kickback.

Using an extension cable

Always use an approved extension cable suitable for the power input of this tool (see technical data). Before use, inspect the extension cable for signs of damage, wear and ageing. Replace the extension cable if damaged or defective. When using a cable reel, always unwind the cable completely. Use of an extension cable not suitable for the power input of the tool or which is damaged or defective may result in a risk of fire and electric shock.

Accessories

The performance of your tool depends on the accessory used. Black & Decker accessories are engineered to high quality standards and designed to enhance the performance of your tool. By using these accessories you will get the very best from your tool.

⚠ Warning! The use of any accessory not recommended for use with this tool could be hazardous. Use only 185mm blades with 19mm or 20mm diameter arbor. Not to use any abrasive wheels.

MAINTENANCE

Your tool has been designed to operate over a long period of time with a minimum of maintenance. Continuous satisfactory operation depends upon proper tool care and regular cleaning.

- ⚠ Warning!** Before performing any maintenance, switch off and unplug the tool.
- Regularly clean the ventilation slots in your tool using a soft brush or dry cloth.
- Regularly clean the motor housing using a damp cloth. Do not use any abrasive or solvent-based cleaner.

⚠ Important! To assure product Safety and Reliability, repairs, maintenance and adjustment (other than those listed in this manual) should be performed by authorized service centers or other qualified service personnel, always using identical replacement parts.

LUBRICATION

Black & Decker tools are properly lubricated at the factory and are ready for use.

PROTECTING THE ENVIRONMENT



Separate collection. This product must not be disposed of with normal household waste.

Should you find one day that your Black & Decker product needs replacement, or if it is of no further use to you, do not dispose of it with household waste.

Make this product available for separate collection.



Separate collection of used products and packaging allows materials to be recycled and used again. Re-use of recycled materials helps prevent environmental pollution and reduces the demand for raw materials.

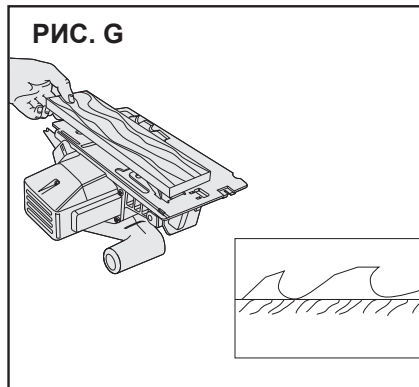
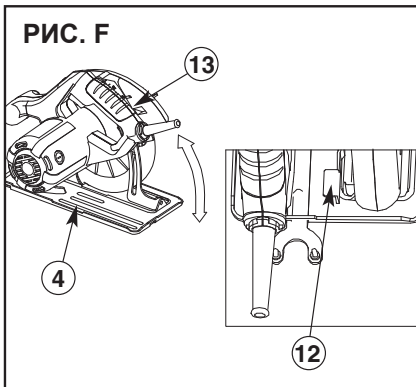
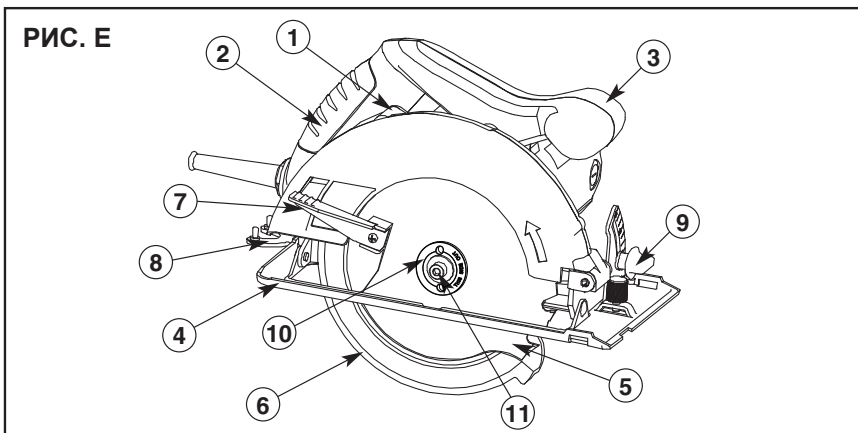
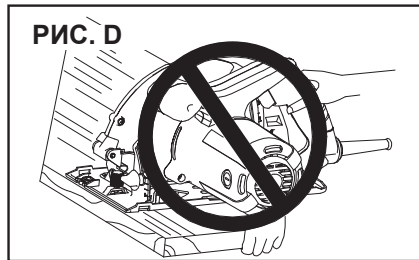
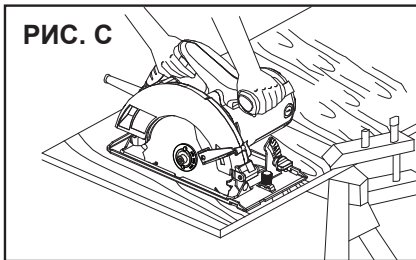
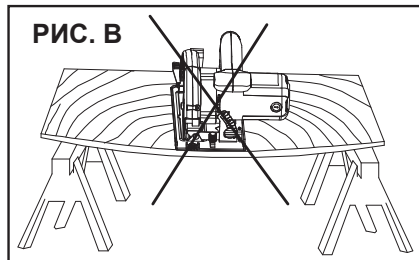
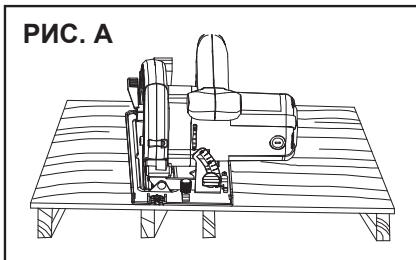
Local regulations may provide for separate collection of electrical products from the household, at municipal waste sites or by the retailer when you purchase a new product.

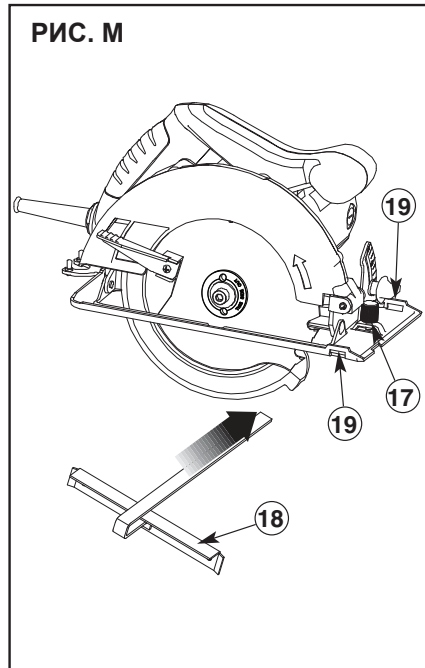
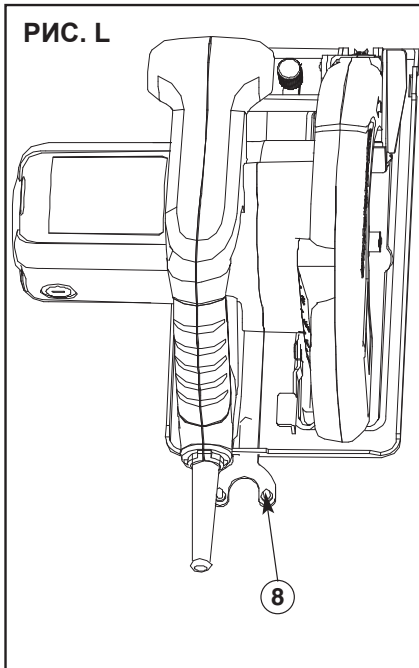
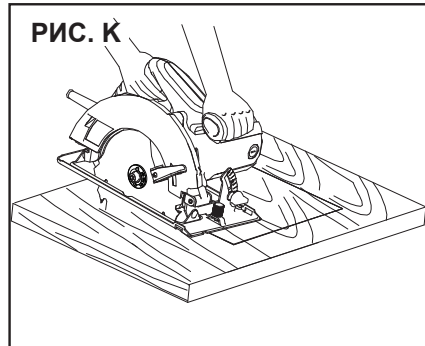
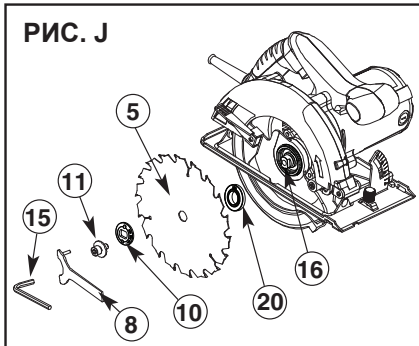
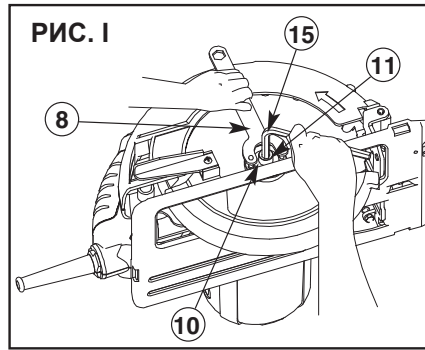
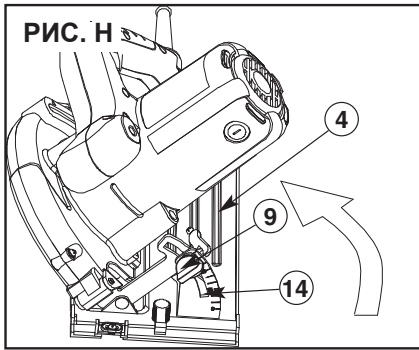
Service Information

Black & Decker offers a full network of company-owned and authorized service locations throughout Asia. All Black & Decker Service Centers are staffed with trained personnel to provide customers with efficient and reliable power tool service. Whether you need technical advice, repair, or genuine factory replacement parts, contact the Black & Decker location nearest to you.

Notes

- Black & Decker's policy is one of continuous improvement to our products and, as such, we reserve the right to change product specifications without prior notice.
- Standard equipment and accessories may vary by country.
- Product specifications may differ by country.
- Complete product range may not be available in all countries. Contact your local Black & Decker dealers for range availability.





CS1500

1600 Вт ДИСКОВАЯ ПИЛА

ТЕХНИЧЕСКИЕ ХАРАКТЕРИСТИКИ

ТЕХНИЧЕСКИЕ ХАРАКТЕРИСТИКИ	CS1500
НАПРЯЖЕНИЕ ПИТАНИЯ	В 230
ПОТРЕБЛЯЕМАЯ МОЩНОСТЬ	ВТ 1600
ЧИСЛО ОБОРОТОВ БЕЗ	
НАГРУЗКИ	об/мин. 5500
МАКС. ДИАМЕТР ДИСКА	мм 185
МАКС. ГЛУБИНА РЕЗА	мм 62

НАЗНАЧЕНИЕ

Ваша дисковая пила Black & Decker предназначена для пиления древесины и изделий из дерева. Данный инструмент предназначен только для использования в домашних условиях.

ОБЩИЕ ПРАВИЛА БЕЗОПАСНОСТИ

Внимание! Внимательно прочтите все инструкции. Несоблюдение всех перечисленных ниже инструкций может привести к поражению электрическим током, возникновению пожара и/или получению серьезной травмы.

СОХРАНИТЕ ДАННЫЕ ИНСТРУКЦИИ

ИНСТРУКЦИИ ПО ТЕХНИКЕ БЕЗОПАСНОСТИ

Общие правила безопасности при работе с электроинструментами.



Внимание! Внимательно прочтите все инструкции по безопасности и руководство по эксплуатации. Несоблюдение всех перечисленных ниже правил безопасности и инструкций может привести к поражению электрическим током, возникновению пожара и/или получению тяжелой травмы.

Сохраните все инструкции по безопасности и руководство по эксплуатации для их дальнейшего использования. Термин «Электроинструмент» во всех приведенных ниже указаниях относится к Вашему сетевому (с кабелем) электроинструменту или аккумуляторному (беспроводному) электроинструменту.

1. Рабочее место

- a. **Содержите рабочее место в чистоте и обеспечьте хорошее освещение.** Плохое освещение рабочего места может привести к несчастному случаю.
- b. **Не используйте электроинструменты, если есть опасность возгорания или взрыва, например, вблизи легко воспламеняющихся жидкостей, газов или пыли.** В процессе работы электроинструмент создает искровые разряды, которые могут воспламенить пыль

или горючие пары.

- c. **Во время работы с электроинструментом не подпускайте близко детей или посторонних лиц.** Отвлечение внимания может вызвать у Вас потерю контроля над рабочим процессом.
2. **Электробезопасность**
 - a. **Вилка кабеля электроинструмента должна соответствовать штепсельной розетке. Ни в коем случае не видоизменяйте вилку электрического кабеля. Не используйте соединительные штепсели-переходники, если в силовом кабеле электроинструмента есть провод заземления.** Использование оригинальной вилки кабеля и соответствующей ей штепсельной розетки уменьшает риск поражения электрическим током.
 - b. **Во время работы с электроинструментом избегайте физического контакта с заземленными объектами, такими как трубопроводы, радиаторы отопления, электроплиты и холодильники.** Риск поражения электрическим током увеличивается, если Ваше тело заземлено.
 - c. **Не используйте электроинструмент под дождем или во влажной среде.** Попадание воды в электроинструмент увеличивает риск поражения электрическим током.
 - d. **Бережно обращайтесь с электрическим кабелем. Ни в коем случае не используйте кабель для переноски электроинструмента или для вытягивания его вилки из штепсельной розетки. Не подвергайте электрический кабель воздействию высоких температур и смазочных веществ; держите его в стороне от острых кромок и движущихся частей инструмента.** Поврежденный или залуптанный кабель увеличивает риск поражения электрическим током.
 - e. **При работе с электроинструментом на открытом воздухе используйте удлинительный кабель, предназначенный для наружных работ.** Использование кабеля, пригодного для работы на открытом воздухе, снижает риск поражения электрическим током.
 - f. **При необходимости работы с электроинструментом во влажной среде используйте источник питания, оборудованный устройством защитного отключения (УЗО).** Использование УЗО снижает риск поражения электрическим током.
 3. **Личная безопасность**
 - a. **При работе с электроинструментами будьте внимательны, следите за тем, что Вы делаете, и руководствуйтесь здравым смыслом. Не используйте электроинструмент, если Вы устали, а также находясь под действием алкоголя или понижающих реакцию лекарственных препаратов и других средств.** Малейшая неосторожность при работе с электроинструментами может привести к серьезной травме.

- b. **Пользуйтесь средствами индивидуальной защиты. Всегда надевайте защитные очки.** Своевременное использование защитного снаряжения, а именно: пылезащитной маски, ботинок на нескользящей подошве, защитного шлема или противошумовых наушников, значительно снизит риск получения травмы.
- c. **Не допускайте непреднамеренного запуска. Перед тем, как подключить электроинструмент к сети и/или аккумулятору, поднять или перенести его, убедитесь, что выключатель находится в положении «выключено».** Не переносите электроинструмент с нажатой кнопкой выключателя и не подключайте к сетевой розетке электроинструмент, выключатель которого установлен в положение «включено», это может привести к несчастному случаю.
- d. **Перед включением электроинструмента снимите с него все регулировочные или гаечные ключи.** Регулировочный или гаечный ключ, оставленный закрепленным на вращающейся части электроинструмента, может стать причиной тяжелой травмы.
- e. **Не перенапрягайтесь. Всегда сохраняйте равновесие и устойчивую позу.** Это позволит Вам не потерять контроль при работе с электроинструментом в непредвиденной ситуации.
- f. **Одевайтесь соответствующим образом. Во время работы не надевайте свободную одежду или украшения. Следите за тем, чтобы Ваши волосы, одежда или перчатки находились в постоянном отдалении от движущихся частей инструмента.** Свободная одежда, украшения или длинные волосы могут попасть в движущиеся части инструмента.
- g. **Если электроинструмент снабжен устройством сбора и удаления пыли, убедитесь, что данное устройство подключено и используется надлежащим образом.** Использование устройства пылеудаления значительно снижает риск возникновения несчастного случая, связанного с запыленностью рабочего пространства.
- 4. **Использование электроинструментов и технический уход**
 - a. **Не перегружайте электроинструмент. Используйте Ваш инструмент по назначению.** Электроинструмент работает надёжно и безопасно только при соблюдении параметров, указанных в его технических характеристиках.
 - b. **Не используйте электроинструмент, если его выключатель не устанавливается в положение включения или выключения.** Электроинструмент с неисправным выключателем представляет опасность и подлежит ремонту.
 - c. **Отключайте электроинструмент от сетевой розетки и/или извлекайте аккумулятор перед регулированием, заменой принадлежностей или при хранении электроин-**

струмента. Такие меры предосторожности снижают риск случайного включения электроинструмента.

- d. **Храните неиспользуемые электроинструменты в недоступном для детей месте и не позволяйте лицам, не знакомым с электроинструментом или данными инструкциями, работать с электроинструментом.** Электроинструменты представляют опасность в руках неопытных пользователей.
- e. **Регулярно проверяйте исправность электроинструмента. Проверяйте точность совмещения и легкость перемещения подвижных частей, целостность деталей и любых других элементов электроинструмента, воздействующих на его работу.** Не используйте неисправный электроинструмент, пока он не будет полностью отремонтирован. Большинство несчастных случаев являются следствием недостаточного технического ухода за электроинструментом.
- f. **Следите за остротой заточки и чистотой режущих принадлежностей.** Принадлежности с острыми кромками позволяют избежать заклинивания и делают работу менее утомительной.
- g. **Используйте электроинструмент, аксессуары и насадки в соответствии с данным Руководством и с учетом рабочих условий и характера будущей работы.** Использование электроинструмента не по назначению может создать опасную ситуацию.
- 5. **Техническое обслуживание**
 - a. **Ремонт Вашего электроинструмента должен производиться только квалифицированными специалистами с использованием идентичных запасных частей.** Это обеспечит безопасность Вашего электроинструмента в дальнейшей эксплуатации.
- 6. **Электробезопасность**




Данный электроинструмент защищен двойной изоляцией, исключающей потребность в заземляющем проводе. Следите за напряжением электрической сети, оно должно соответствовать величине, обозначенной на информационной табличке электроинструмента.



Внимание! Во избежание повреждения инструмента или получения травмы, замена поврежденного кабеля питания должна производиться только на заводе-изготовителе или в авторизованном сервисном центре Black & Decker. При замене кабеля квалифицированным, но не уполномоченным фирмой Black & Decker персоналом, гарантия на продукт является недействительной.

7. Маркировка инструмента

На этикетках Вашего инструмента могут иметься следующие знаки:

- V Вольт
- A Ампер
- Hz Герц
- W Ватт
- min минуты
- ~ Переменный ток
- Постоянный ток
- n0 Скорость без нагрузки
- Конструкция Класса II
- ⊕ Клемма заземления
- ⚠ Значок оповещения об опасности
- .../min Кол-во оборотов или шагов в минуту
-  Прочтите инструкции руководства по эксплуатации

- ♦ При использовании инструментов, предназначенных для резки дерева, прочтите инструкции по правильной эксплуатации системы пылеудаления.
- ♦ При использовании инструментов, предназначенных для резки древесины, всегда надевайте респиратор.
- ♦ Всегда используйте только рекомендованные пыльные диски.
- ♦ Всегда используйте средства защиты слуха.

Инструкции по технике безопасности для всех типов пил

- a. **Держите руки на расстоянии от области распила и диска. Держите вторую руку на дополнительной рукоятке или на корпусе двигателя.** Если инструмент удерживается обеими руками, исключается вероятность их пореза диском.
- b. **Не держите руки под обрабатываемой деталью.** Защитный кожух не защищает руки от касания диска под обрабатываемой деталью.
- c. **Отрегулируйте глубину пропила в соответствии с толщиной обрабатываемой детали.** Зуб диска не должен выступать с нижней стороны обрабатываемой детали полностью.
- d. **Никогда не удерживайте разрезаемую деталь в руках, или прижав ее к ноге.** Зафиксируйте обрабатываемую деталь на неподвижной опоре. Необходимо надлежащим образом закрепить обрабатываемую деталь для снижения риска получения травмы, заклинивания диска или потери управления.
- e. **Держите электроинструмент за изолированные ручки при выполнении операций, во время которых режущий инструмент может задеть скрытую проводку или собственный кабель.** Контакт с находящимся под напряжением проводом делает непокрытые изоляцией металлические части электроинструмента также «живыми», что создает опасность поражения электрическим током.
- f. **Во время продольной распиловки всегда**

используйте направляющую планку или прямой направитель детали. Это повышает точность распила и снижает вероятность заклинивания диска.

- g. **Всегда используйте диски с посадочными отверстиями соответствующего размера и формы (ромбовидные или круглые).** Диски, не совпадающие с крепежными приспособлениями инструмента, будут вращаться эксцентрически, что приведет к потере контроля.
- h. **Ни в коем случае не используйте поврежденные или несоответствующие зажимные кольца или болты для дисков.** Зажимные кольца и болты для дисков были разработаны специально для данного инструмента с целью обеспечения оптимальной производительности и безопасности во время работы.

ДОПОЛНИТЕЛЬНЫЕ МЕРЫ БЕЗОПАСНОСТИ ДЛЯ ВСЕХ ТИПОВ ПИЛ

Причины обратного удара и действия оператора по его предупреждению:

- ♦ Обратный удар является внезапной реакцией на защемление, зажимание или смещение пыльного диска, что приводит к неконтролируемому подъему пилы из обрабатываемой детали в направлении оператора.
- ♦ При зажатии или защемлении диска в пропиле, он останавливается, и реакция электродвигателя приводит к внезапному смещению инструмента в направлении или в сторону от оператора.
- ♦ Если диск перекашивается или смещается в пропиле, зубья на его задней кромке могут войти в верхнюю часть деревянной детали, что приведет к выходу диска из пропила и его скачку в направлении оператора.
- ♦ Обратный удар является результатом использования пилы не по назначению и/или неправильных действий оператора и условий работы, и его можно избежать, соблюдая следующие меры безопасности:
 - a. **Крепко держите пилу обеими руками и следите за положением рук, чтобы эффективно противостоять воздействию обратного удара.** Стойте сбоку от пилы, но не на одной линии с ней. Обратный удар может привести к скачку пилы назад, но оператор может гасить его энергию при условии соблюдения надлежащих мер. ПРИМЕЧАНИЕ: Для дисковых пил с пыльными дисками диаметром 185 мм и менее, формулировка «обеими руками» может быть опущена.
 - b. **В случае заклинивания диска или в случае прекращения процесса резки по любой причине, отпустите курковый выключатель и удерживайте пилу неподвижно в обрабатываемой детали до полной остановки диска.** Никогда не пытайтесь извлечь пилу из обрабатываемой детали или вытянуть ее назад, пока вращается диск - это может привести к обратному удару. Выясните причину

заклинивания диска и примите надлежащие меры по ее устранению.

- c. При перезапуске пилы в детали **отцентрируйте пильный диск в пропилах** и убедитесь в том, что зубья пилы не касаются материала. Если пильный диск заклинен, то при повторном запуске пилы он может подскочить вверх из детали или ударить назад.
- d. Для сведения к минимуму риска заклинивания диска и возникновения **ОБРАТНОГО УДАРА**, поддерживайте заготовки большого размера. Большие заготовки провисают под собственным весом. Поместите опоры под заготовку с обеих сторон, в непосредственной близости от линии распила и краев заготовки.
- e. Не используйте тупые или поврежденные диски. Тупые или неправильно разведенные диски образуют узкий пропил, что приводит к повышенному трению, заклиниванию диска и образованию обратного удара.
- f. Рычаги настройки глубины пропила и угла резки на конус перед началом работы должны быть затянуты и зафиксированы. В случае сбоя настроек диска, во время работы может произойти заклинивание и обратный удар.
- g. Соблюдайте повышенную осторожность при выполнении врезного пиления стен или в других слепых зонах. Выдвигаемый диск может встречаться с предметами, которые могут привести к образованию обратного удара.

ИНСТРУКЦИИ ПО БЕЗОПАСНОСТИ ДЛЯ ДИСКОВЫХ ПИЛ С НИЖНИМ ЗАЩИТНЫМ КОЖУХОМ

- a. Перед каждым использованием проверяйте, правильно ли закрыт нижний защитный кожух. Не используйте пилу, если нижний защитный кожух не перемещается свободно и не закрывает диск постоянно. Никогда не зажимайте и не подвязывайте нижний защитный кожух в открытом положении. При случайном падении пилы нижний защитный кожух может погнуться. Поднимите нижний защитный кожух при помощи отводящего рычага и убедитесь в том, что кожух перемещается свободно и не прикасается к диску или другим деталям при любых углах и глубине пиления.
- b. Проверьте функционирование и состояние возвратной пружины нижнего защитного кожуха. Если защитный кожух и пружина не работают нормально, перед использованием необходимо выполнить их текущий ремонт. Нижний защитный кожух может перемещаться замедленно из-за повреждения деталей, отложения клейких веществ или скопления мусора.
- c. Нижний защитный кожух можно втягивать вручную только при выполнении специальных разрезов, например, врезных и комбинированных распилов. Поднимайте нижний защитный кожух при помощи отводящего рычага, а когда диск прикоснется к материалу, нижний кожух следует опустить. Для всех

других типов пиления нижний защитный кожух должен работать в автоматическом режиме.

- d. Всегда следите за тем, чтобы нижний защитный кожух закрывал диск, прежде чем класть пилу на верстак или на пол. Незащищенный диск во время выбега приведет к смещению инструмента назад и разрезанию всех находящихся на траектории его движения предметов. Помните о том, что после отпущения выключателя требуется некоторое время для полной остановки диска.

Инструкции по безопасности при работе дисковыми пилами

- a. Перед каждым использованием проверяйте, правильно ли закрыт защитный кожух. Не используйте пилу, если защитный кожух не перемещается свободно и не закрывает диск постоянно. Никогда не зажимайте и не подвязывайте защитный кожух с открытым диском. При случайном падении пилы защитный кожух может погнуться. Убедитесь, что кожух перемещается свободно и не прикасается к диску или другим деталям при любых углах и глубине пиления.
- b. Проверьте функционирование и состояние возвратной пружины защитного кожуха. Если защитный кожух и пружина не работают нормально, перед использованием необходимо выполнить их текущий ремонт. Защитный кожух может перемещаться замедленно из-за повреждения деталей, отложения клейких веществ или скопления мусора.
- c. Убедитесь, что направляющая планка пилы не смещается при выполнении врезного пиления, когда угол скоса пильного диска не равен 90°. Смещение диска в сторону может стать причиной заклинивания диска и вызвать обратный удар.
- d. Всегда следите за тем, чтобы защитный кожух закрывал диск, прежде чем класть пилу на верстак или на пол. Незащищенный диск во время выбега приведет к смещению инструмента назад и разрезанию всех находящихся на траектории его движения предметов. Помните о том, что после отпущения выключателя требуется некоторое время для полной остановки диска.

Предупреждения и символы безопасности

Необходимо внимательно прочитать настоящее руководство и принять к сведению содержащуюся в нем информацию. Данная информация касается защиты **Вашей безопасности и предотвращения сложных ситуаций**. Приведенные ниже символы помогут Вам в распознавании данной информации.



Опасно! Означает чрезвычайно опасную ситуацию, которая приводит к смертельному исходу или получению тяжелой травмы.

⚠ **Внимание!** Означает потенциально опасную ситуацию, которая может привести к смертельному исходу или получению тяжелой травмы.

⚠ **Предупреждение!** Означает потенциально опасную ситуацию, которая может привести к получению травмы легкой или средней тяжести.

⚠ **Предупреждение!** Используемое без символа опасности слово означает потенциально опасную ситуацию, которая может привести к повреждению имущества.

Дополнительные правила безопасности при работе дисковыми пилами

⚠ **Внимание!** При использовании данного инструмента может вырабатываться и/или распространяться пыль, которая может стать причиной повреждения дыхательных путей и других не менее серьезных травм. Всегда используйте пылезащитный респиратор, одобренный NIOSH (Национальный институт по охране труда и промышленной гигиене США)/OSHA (Федеральное Агентство по Охране Труда и Здоровью США). Следите за тем, чтобы лицо и тело было в стороне от линии выброса пыли.

⚠ **Предупреждение!** При использовании инструмента надевайте противошумные наушники. При некоторых обстоятельствах и во время использования инструмента производимый им шум может стать причиной потери слуха.

♦ **Зацепление нижним защитным кожухом за поверхность под разрезаемым материалом может моментально снизить степень контроля оператора в управлении инструментом.** Пила может частично подтянуться из пропила, увеличивая риск искривления пильного диска. Убедитесь в наличии достаточного пространства под заготовкой.

♦ **При необходимости поднять нижний защитный кожух, используйте отводящий рычаг.**

♦ **Следите за чистой и острой заточки пильных дисков.** Острые пильные диски сводят к минимуму риск внезапного останова и возникновения обратного удара. Использование тупых и/или грязных пильных дисков увеличивает нагрузку на пилу, вынуждая оператора прикладывать дополнительное усилие, что, в свою очередь, способствует искривлению диска.

⚠ **Предупреждение! Опасность пореза! Держите руки вне зоны резания.** Держите руки в стороне от пильного диска. Никогда не помещайте руки перед дис-

ком или под линией пропила во время работы. Не пытайтесь заглянуть под заготовку во время работы диска. Не пытайтесь извлечь пильный диск из заготовки, пока он движется.

♦ **Поддерживайте большие заготовки.** Большие заготовки должны поддерживаться, как показано на Рис. А данного руководства по эксплуатации, чтобы свести к минимуму риск заклинивания пильного диска и возникновения обратного удара. Заготовки, поддерживаемые только на концах (Рис. В), могут стать причиной заклинивания пильного диска. Процесс пиления требует расположения пилы на заготовке - пила должна находиться на более широкой части заготовки при отрезании более узкой части.

♦ **При установке пильных дисков используйте только правильный тип дисков и элементов его крепления.** Не используйте пильные диски с неправильным размером крепежного отверстия. Никогда не используйте поврежденные или несоответствующие гайки или болты для дисков. Следуйте указаниям по установке диска.

♦ **Настройки.** Перед пилением убедитесь, что настройки глубины реза и наклона выбраны и зафиксированы.

♦ **Надежно закрепляйте обрабатываемую заготовку.** Убедитесь, что обрабатываемый материал зафиксирован (Рис. С), надёжно поддерживается и находится на прочной, устойчивой и ровной рабочей поверхности. Поддерживайте заготовку, учитывая то, что широкая сторона подошвы пилы будет располагаться на той части заготовки, которая не упадёт после проведения реза. Никогда не держите отрезаемую часть заготовки рукой (Рис. D). Может возникнуть ОБРАТНЫЙ УДАР, вызванный заклиниванием пильного диска. Всегда удерживайте пилу обеими руками.

♦ **Будьте внимательны и сохраняйте контроль над инструментом. Стойте с одной стороны от диска.** Всегда крепко удерживайте и управляйте пилой обеими руками. При работающей пиле не меняйте положение рук и тела. Во время работы соблюдайте осторожность, чтобы избежать получения травмы от отрезанной части заготовки и других падающих предметов.

⚠ **Опасно!** При заклинивании диска или внезапном останове пилы немедленно выключите инструмент.

СОСТАВНЫЕ ЧАСТИ (Рис. E)

1. Клавиша пускового выключателя
2. Основная рукоятка
3. Вспомогательная рукоятка
4. Подошва
5. Пильное полотно
6. Защитный кожух
7. Отводящий рычаг защитного кожуха

8. Гаечный ключ для установки пильного диска
9. Рукоятка настройки наклона
10. Внешняя гайка
11. Стопорный винт диска, Шестигранный ключ (показан на Рис. I (15)), Направляющая (показана на Рис. M (18)), Внутренний фланец (показан на Рис. J (20))

СБОРКА И РЕГУЛИРОВКА

⚠ Внимание! Перед выполнением любой из приведенных ниже операций всегда отключайте пилу от источника питания.

Настройка глубины пропила (Рис. F и G)

Глубина пропила устанавливается в соответствии с толщиной заготовки.

- ◆ Поднимите рычаг (12) для разблокировки подошвы.
- ◆ Установите подошву (4) в желаемое положение. Соответствующую глубину пропила можно контролировать по шкале (13).
- ◆ Опустите рычаг, фиксируя подошву на месте.
- ◆ Настройте глубину пропила таким образом, чтобы зубья диска выступали под поверхностью заготовки, как показано на Рис. G.

Настройка угла наклона (Рис. H)

Данный инструмент может устанавливаться для резов под углом от 0° до 45°

- ◆ Ослабьте фиксатор (9) для разблокировки подошвы.
- ◆ Установите подошву (4) в желаемое положение. Угол наклона можно проверить по шкале (14).
- ◆ Затяните фиксатор, закрепляя подошву на месте.

Установка пильного диска (Рис. I и J)

- ◆ Для предотвращения вращения шпинделя вставьте выступы гаечного ключа (8) в отверстия во внешней гайке (10), как показано на Рис. I.
- ◆ Поворачивая шестигранный ключ (15) против часовой стрелки, отвинтите и удалите стопорный винт диска (11).
- ◆ Удалите внешнюю гайку.
- ◆ Проверьте и снова установите на шпиндель (16) внутренний фланец (20). Убедитесь, что правильная сторона внутреннего фланца (20) расположена наружу и обращена к пильному диску.
- ◆ Установите пильный диск (5) на внутренний фланец (20), убедившись, что стрелки на диске и инструменте указывают в одном направлении.
- ◆ Установите на шпиндель внешнюю гайку (10).
- ◆ Вставьте стопорный винт диска (11) в отверстие шпинделя.
- ◆ Для предотвращения вращения шпинделя, вставьте гаечный ключ в отверстия во внешней гайке.
- ◆ Надёжно затяните стопорный винт диска, удерживая гаечный ключ и поворачивая шестигранный ключ в направлении по часовой

стрелке.

⚠ Внимание! Внутренний фланец (20) имеет отметку «19» или «20», что соответствует диаметру посадочного отверстия пильного диска (5) – 19 или 20 мм.

Снятие пильного диска

- ◆ Для предотвращения вращения шпинделя вставьте выступы гаечного ключа (8) в отверстия во внешней гайке (10).
- ◆ Поворачивая шестигранный ключ (15) против часовой стрелки, отвинтите и удалите стопорный винт диска (11).
- ◆ Удалите внешнюю гайку (10).
- ◆ Снимите пильный диск (5).

⚠ Внимание! Для снижения риска получения тяжёлой травмы, перед использованием инструмента прочтите, примите к сведению и соблюдайте все важные правила и инструкции по безопасности.

ОБЩИЕ УКАЗАНИЯ ПО ПИЛЕНИЮ

Защита против обратного удара

Отключив инструмент от источника питания, выполните сборку, регулировку и настройку в соответствии с инструкциями. Убедитесь, что нижний защитный кожух функционирует. Используйте пильные диски, соответствующие типу разрезаемого материала.

Измерьте заготовку и сделайте разметки.

- ◆ Правильно фиксируйте и поддерживайте заготовку (см. Инструкции по технике безопасности).
- ◆ Используйте соответствующее защитное оборудование (см. Инструкции по технике безопасности).
- ◆ Обеспечьте и поддерживайте безопасность на рабочем месте (см. Инструкции по технике безопасности).
- ◆ Подключив пилу к источнику питания и опустив защитный кожух, проверьте, что пусковой выключатель пилы функционирует должным образом.

⚠ Внимание! Необходимо надлежащим образом закреплять обрабатываемую деталь и крепко удерживать пилу для снижения риска потери управления и получения травмы. Рекомендованное положение рук во время работы изображено на Рис. C.

ЭКСПЛУАТАЦИЯ

Пусковой выключатель

- ◆ Чтобы включить инструмент, нажмите на курковый пусковой выключатель (1). Инструмент будет продолжать работать, пока курковый пусковой выключатель остаётся нажатым.
- ◆ Для выключения инструмента отпустите курковый выключатель (1). Данный инструмент

не оснащен приспособлением для удержания выключателя во включенном положении, и фиксация его в положении ВКЛ. при помощи каких-либо других средств запрещена.

Пиление

⚠ Внимание! Для уменьшения риска получения тяжелой травмы, всегда удерживайте инструмент обеими руками.

- ◆ Перед выполнением реза дайте пильному диску поработать без нагрузки в течение нескольких секунд.
- ◆ При распиле прикладывайте к инструменту только легкое усилие.
- ◆ В ходе работы прижимайте подошву к поверхности заготовки.

Рекомендации по оптимальному использованию

- ◆ Поскольку невозможно полностью избежать откалывания мелких частиц вдоль линии реза, выбирайте для работы ту сторону заготовки, где это допустимо.
- ◆ Если необходимо свести количество сколов к минимуму (например, при распиле ламината), закрепите лист фанеры поверх заготовки.

Врезное пиление (Рис. К)

Техника врезного пиления используется при вырезании отверстия в заготовке без выполнения бокового распила.

- ◆ Измерьте заготовку и сделайте разметки.
- ◆ Наклоните пилу вперед и оставьте переднюю часть подошвы на распиливаемом материале. Расположите пилу так, чтобы начать рез с низа нарисованного прямоугольника, как показано на Рис. К.
- ◆ При помощи отводящего рычага поднимите защитный кожух в вертикальное положение, едва касаясь диском заготовки, запустите двигатель и медленно опустите пилу на заготовку.

⚠ Внимание! Как только диск начнет резать заготовку, немедленно отпустите отводящий рычаг.

- ◆ Никогда не подвязывайте защитный кожух диска в поднятом состоянии.
- ◆ Как только подошва полностью опустится на обрабатываемый материал, закончите рез в направлении вперед.
- ◆ Прежде чем поднять пилу с заготовки, дождитесь полной остановки пильного диска.
- ◆ Перед началом каждого нового реза повторяйте шаги, изложенные выше.

Хранение гаечного ключа (Рис. L)

Гаечный ключ (8) можно хранить на подошве пилы, как показано на Рис. L.

Установка и снятие направляющей (Рис. M)

Направляющая предназначена для выполнения прямого реза параллельно краю заготовки.

Установка

- ◆ Ослабьте зажимную рукоятку (17).
- ◆ Вставьте направляющую (18) в отверстия (19).
- ◆ Установите направляющую в необходимое положение.
- ◆ Затяните зажимную рукоятку.

Снятие

- ◆ Ослабьте зажимную рукоятку.
- ◆ Снимите направляющую с инструмента. Примечание: Если у Вас нет правильно установленной направляющей, используйте в качестве ориентира прямой край заготовки параллельно краю подошвы – рез будет точным и аккуратным, и риск заклинивания диска и возникновения обратного удара будет минимальным.

Использование удлинительного кабеля

Всегда используйте удлинительные кабели установленного образца, соответствующие входной мощности данного инструмента (см. раздел «Технические характеристики»). Перед использованием проверьте удлинительный кабель на наличие признаков повреждения, старения и износа. В случае обнаружения повреждений удлинительный кабель подлежит замене. При использовании кабельного барабана, всегда полностью разматывайте кабель. Использование удлинительного кабеля, не подходящего для входной мощности инструмента или имеющего повреждение или дефекты, может послужить причиной возгорания и поражения электрическим током.

Дополнительные принадлежности

Производительность Вашего электроинструмента напрямую зависит от используемых принадлежностей. Принадлежности Black & Decker изготовлены в соответствии с самыми высокими стандартами качества и способны увеличить производительность Вашего электроинструмента. Используя эти принадлежности, Вы достигнете наилучших результатов в работе.

⚠ Внимание! Использование любых принадлежностей, не рекомендованных к использованию с данным инструментом, может быть опасным. Используйте только диски диаметром 185 см с посадочным отверстием 19 или 20 мм. Не используйте абразивные диски.

ТЕХНИЧЕСКОЕ ОБСЛУЖИВАНИЕ

Ваш инструмент рассчитан на работу в течение продолжительного времени при минимальном техническом обслуживании. Срок службы и надежность инструмента увеличивается при правильном уходе и регулярной чистке.

⚠ Внимание! Перед любыми видами работ по техническому обслуживанию выключайте инструмент и отключайте его от источника питания.

- ◆ Регулярно очищайте вентиляционные отвер-

ствия Вашего инструмента мягкой щеткой или сухой тканью.

- ◆ Регулярно очищайте корпус двигателя влажной тканью. Не используйте абразивные чистящие средства, а также чистящие средства на основе растворителей.



Важно! В целях обеспечения безопасности и долговечности в использовании продукта ремонт, техническое обслуживание и регулировка (кроме перечисленных в данном руководстве) всегда должны производиться только в авторизованных сервисных центрах и только квалифицированными специалистами с использованием идентичных запасных частей.

СМАЗКА

Инструменты Black & Decker надлежащим образом смазаны в заводских условиях и готовы к эксплуатации.

Защита окружающей среды



Раздельный сбор. Данное изделие нельзя утилизировать вместе с обычными бытовыми отходами.

Если однажды Вы захотите заменить Ваш электроинструмент Black & Decker или Вы больше в нем не нуждаетесь, не выбрасывайте его вместе с бытовыми отходами. Отнесите изделие в специальный приемный пункт.



Раздельный сбор изделий с истекшим сроком службы и их упаковок позволяет пускать их в переработку и повторно использовать. Использование переработанных материалов помогает защищать окружающую среду от загрязнения и снижает расход сырьевых материалов.

Местное законодательство может обеспечить сбор старых электрических продуктов отдельно от бытового мусора на муниципальных свалках отходов, или Вы можете сдавать их в торговом предприятии при покупке нового изделия.

Информация по техническому обслуживанию

Black & Decker имеет обширную сеть принадлежащих компании авторизованных сервисных центров на территории всей Азии. В целях предоставления клиентам эффективного и надежного технического обслуживания электроинструментов во всех сервисных центрах Black & Decker работает обученный персонал. Если Вы нуждаетесь в технической консультации, ремонте или покупке оригинальных запасных частей, обратитесь в ближайший к Вам сервисный центр Black & Decker.

Примечания

- ◆ Политика Black & Decker нацелена на постоянное усовершенствование нашей продукции, поэтому фирма оставляет за собой право изменять технические характеристики изделий без предварительного уведомления.
- ◆ Стандартное оборудование и дополнительные принадлежности могут меняться в зависимости от страны продаж.
- ◆ Технические характеристики продуктов могут различаться в зависимости от страны продаж.
- ◆ Полная линия продуктов присутствует на рынках не всех стран. Для получения информации касательно линии продуктов в Вашей стране обратитесь в ближайший сервисный центр Black & Decker.

БЛЭК ЭНД ДЕККЕР

Гарантийные условия

Уважаемый покупатель!

1. Поздравляем Вас с покупкой высококачественного изделия БЛЭК ЭНД ДЕККЕР и выражаем признательность за Ваш выбор.
- 1.1. Надежная работа данного изделия в течение всего срока эксплуатации - предмет особой заботы наших сервисных служб. В случае возникновения каких-либо проблем в процессе эксплуатации изделия рекомендуем Вам обращаться только в авторизованные сервисные организации, адреса и телефоны которых Вы сможете найти в Гарантийном талоне или узнать в магазине. Наши сервисные станции - это не только квалифицированный ремонт, но и широкий выбор запчастей и принадлежностей.
- 1.2. При покупке изделия требуйте проверки его комплектности и исправности в Вашем присутствии, инструкцию по эксплуатации и заполненный Гарантийный талон на русском языке. При отсутствии у Вас правильно заполненного Гарантийного талона мы будем вынуждены отклонить Ваши претензии по качеству данного изделия.
- 1.3. Во избежание недоразумений убедительно просим Вас перед началом работы с изделием внимательно ознакомиться с инструкцией по его эксплуатации.
- 1.4. Обращаем Ваше внимание на исключительно бытовое назначение данного изделия.
2. Правовой основой настоящих гарантийных условий является действующее Законодательство и, в частности, Закон "О защите прав потребителей".
3. Гарантийный срок на данное изделие составляет 24 месяца и исчисляется со дня продажи через розничную торговую сеть. В случае устранения недостатков изделия, гарантийный срок продлевается на период, в течение которого оно не использовалось.
4. Срок службы изделия - 5 лет (минимальный, установленный в соответствии с Законом "О защите прав потребителей").
5. Наши гарантийные обязательства распространяются только на неисправности, выявленные в течение гарантийного срока и обусловленные производственными и конструктивными факторами.
6. Гарантийные обязательства не распространяются:
 - 6.1. На неисправности изделия, возникшие в результате:
 - 6.1.1. Несоблюдения пользователем предписаний инструкции по эксплуатации изделия.
 - 6.1.2. Механического повреждения, вызванного внешним ударным или любым иным воздействием.
 - 6.1.3. Использования изделия в профессиональных целях и объемах, в коммерческих целях.
 - 6.1.4. Применения изделия не по назначению.
 - 6.1.5. Стихийного бедствия.
 - 6.1.6. Неблагоприятных атмосферных и иных внешних воздействий на изделие, таких как дождь, снег, повышенная влажность, нагрев, агрессивные среды, несоответствие параметров питающей электросети параметрам, указанным на инструменте.
 - 6.1.7. Использования принадлежностей, расходных материалов и запчастей, не рекомендованных или не одобренных производителем.
 - 6.1.8. Проникновения внутрь изделия посторонних предметов, насекомых, материалов или веществ, не являющихся отходами, сопровождающими применение по назначению, такими как стружка опилки и пр.
 - 6.2. На инструменты, подвергавшиеся вскрытию, ремонту или модификации вне уполномоченной сервисной станции.
 - 6.3. На принадлежности, запчасти, вышедшие из строя вследствие нормального износа, и расходные материалы, такие как приводные ремни, угольные щетки, аккумуляторные батареи, ножи, пилки, абразивы, пыльные диски, сверла, буры и т. п.
 - 6.4. На неисправности, возникшие в результате перегрузки инструмента, повлекшей выход из строя электродвигателя или других узлов и деталей. К безусловным признакам перегрузки изделия относятся, помимо прочих: появление цветов побежалости, деформация или оплавление деталей и узлов изделия, потемнение или обугливание изоляции проводов электродвигателя под воздействием высокой температуры.

EAC



Блэк энд Деккер Гмбх
Блэк энд Деккер Штрассе, 40
65510 Идштайн, Германия

№ 1	№ 2	№ 3	№ 4
Order No. / Заказ № / Замовлення №	Order No. / Заказ № / Замовлення №	Order No. / Заказ № / Замовлення №	Order No. / Заказ № / Замовлення №
Date of receipt/Дата поступления/Дата приёму	Date of receipt/Дата поступления/Дата приёму	Date of receipt/Дата поступления/Дата приёму	Date of receipt/Дата поступления/Дата приёму
Date of repair/Дата выдачи/Дата видання	Date of repair/Дата выдачи/Дата видання	Date of repair/Дата выдачи/Дата видання	Date of repair/Дата выдачи/Дата видання
Stamp and signature of the service centre/ Печать и подпись сервисного центра/ Печатка та підпис сервісного центру	Stamp and signature of the service centre/ Печать и подпись сервисного центра/ Печатка та підпис сервісного центру	Stamp and signature of the service centre/ Печать и подпись сервисного центра/ Печатка та підпис сервісного центру	Stamp and signature of the service centre/ Печать и подпись сервисного центра/ Печатка та підпис сервісного центру
----- № 1			
----- № 2			
----- № 3			
----- № 4			
Order No. / Заказ № / Замовлення №	Order No. / Заказ № / Замовлення №	Order No. / Заказ № / Замовлення №	Order No. / Заказ № / Замовлення №
Date of receipt/Дата поступления/Дата приёму	Date of receipt/Дата поступления/Дата приёму	Date of receipt/Дата поступления/Дата приёму	Date of receipt/Дата поступления/Дата приёму
Stamp and signature of the service centre/ Печать и подпись сервисного центра/ Печатка та підпис сервісного центру	Stamp and signature of the service centre/ Печать и подпись сервисного центра/ Печатка та підпис сервісного центру	Stamp and signature of the service centre/ Печать и подпись сервисного центра/ Печатка та підпис сервісного центру	Stamp and signature of the service centre/ Печать и подпись сервисного центра/ Печатка та підпис сервісного центру

№ 4	№ 3	№ 2	№ 1
Заказ №/Тапсырыс №/Буюртма №	Заказ №/Тапсырыс №/Буюртма №	Заказ №/Тапсырыс №/Буюртма №	Заказ №/Тапсырыс №/Буюртма №
Дата прыемікі/Кабылдау күні/Кабул килинган күни	Дата прыемікі/Кабылдау күні/Кабул килинган күни	Дата прыемікі/Кабылдау күні/Кабул килинган күни	Дата прыемікі/Кабылдау күні/Кабул килинган күни
Дата выдачы/Беру күні/Кайтарып берилган күни	Дата выдачы/Беру күні/Кайтарып берилган күни	Дата выдачы/Беру күні/Кайтарып берилган күни	Дата выдачы/Беру күні/Кайтарып берилган күни
Пычатка і подпіс сэрвіснага цэнтра/ Сервіс орталығының мөрі мен колтанбасы/ Сервіс марказининг мухр ва имзоси	Пычатка і подпіс сэрвіснага цэнтра/ Сервіс орталығының мөрі мен колтанбасы/ Сервіс марказининг мухр ва имзоси	Пычатка і подпіс сэрвіснага цэнтра/ Сервіс орталығының мөрі мен колтанбасы/ Сервіс марказининг мухр ва имзоси	Пычатка і подпіс сэрвіснага цэнтра/ Сервіс орталығының мөрі мен колтанбасы/ Сервіс марказининг мухр ва имзоси
№ 4	№ 3	№ 2	№ 1
Заказ №/Тапсырыс №/Буюртма №	Заказ №/Тапсырыс №/Буюртма №	Заказ №/Тапсырыс №/Буюртма №	Заказ №/Тапсырыс №/Буюртма №
Дата прыемікі/Кабылдау күні/Кабул килинган күни	Дата прыемікі/Кабылдау күні/Кабул килинган күни	Дата прыемікі/Кабылдау күні/Кабул килинган күни	Дата прыемікі/Кабылдау күні/Кабул килинган күни



GB WARRANTY CARD

BY ГАРАНТИЙНЫЙ ТАЛОН

RUS ГАРАНТИЙНЫЙ ТАЛОН

KZ КЕПІЛДІК ТАЛОН

UA ГАРАНТІЙНИЙ ТАЛОН

UZ ГАРАНТИЯ ЧИПТАСИ



GB months

RUS месяца

UA місяця

24

BY месяца

KZ ай

UZ ой

GB Serial No.	Date of sale	Selling stamp, Signature
RUS Серийный номер	Дата продажи	Печать и подпись торговой организации
UA Серійний номер	Дата продажу	Печатка та підпис торгівельної організації
BY Серыйны нумар	Дата продажы	Пячатка і подпіс гандлёвай установы
KZ Сериялық нөмір	Сату күні	Сауда ұйымының мөрі мен қолтанбасы
UZ Серия сони	Сотилган куни	Савдо корхонанинг муҳр ва имзоси

АВТОРИЗОВАННЫЕ СЕРВИСНЫЕ ЦЕНТРЫ BLACK & DECKER

RUS

Россия, 121471, г. Москва,
ул. Гвардейская, д. 3, корп. 1
тел.: (495) 444 10 70
737 80 41

UA

Украина, 04073, г. Киев,
ул. Сырецкая, 33-ш
тел.: (044) 581 11 25

KZ

Казахстан, 050060, г. Алматы,
ул. Тажибаевой, д. 155/1
тел.: (727) 250 21 21
244 64 44

BY

Беларусь, 220015, г. Минск,
ул. Берута, д. 22, к. 1
тел.: (37517) 251 43 07
251 30 72

GE

Грузия, 0193, г. Тбилиси,
ул. Тамарашвили, д. 12
тел.: (99532) 33 35 86

Сервисная сеть Black & Decker постоянно расширяется.
Информацию об обслуживании в других городах Вы можете получить по телефону
в Москве: (495) 258 39 81/2/3,
в Киеве: (044) 507 05 17
<http://www.blackanddecker.ru>

Исправный и полностью укомплектованный товар получил(а), с гарантийными условиями ознакомлен(а)/
Справний та повністю укомплектований товар отримав(ла), з гарантійними умовами ознайомлен(а)/
Спрауны і поўнасьцю укомплектаваны тавар атрымаў(ла), з гарантійнымі умовамі азнаёмлены(а)/
Түзу және толық жинақталған тауар қабылдадым, кепілдік шарттарымен таныстым/
Тузатилган ва тулик комплекти махсуслотни олдим, гарантия шартлари билан танишиб чикдим“

Подпись покупателя/ Підпис покупця/ Подпис покупніка/ Сатып алушының қолтанбасы/ Харидорнинг имзоси

Free Manuals Download Website

<http://myh66.com>

<http://usermanuals.us>

<http://www.somanuals.com>

<http://www.4manuals.cc>

<http://www.manual-lib.com>

<http://www.404manual.com>

<http://www.luxmanual.com>

<http://aubethermostatmanual.com>

Golf course search by state

<http://golfingnear.com>

Email search by domain

<http://emailbydomain.com>

Auto manuals search

<http://auto.somanuals.com>

TV manuals search

<http://tv.somanuals.com>