

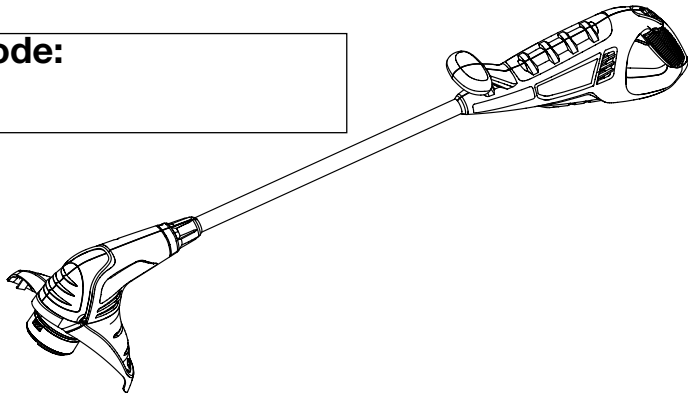


Cordless 12 Volt Trimmer

INSTRUCTION MANUAL

CST1100, CST1200

Date Code:



THANK YOU FOR CHOOSING BLACK & DECKER!
Go to www.BLACKANDDECKER.COM/NEWOWNER
TO REGISTER YOUR NEW PRODUCT.

**BEFORE RETURNING THIS PRODUCT
FOR ANY REASON PLEASE CALL
1-800-544-6986**

BEFORE YOU CALL, HAVE THE CATALOG No. AND DATE CODE AVAILABLE. IN MOST CASES, A BLACK & DECKER REPRESENTATIVE CAN RESOLVE THE PROBLEM OVER THE PHONE. IF YOU HAVE A SUGGESTION OR COMMENT, GIVE US A CALL. YOUR FEEDBACK IS VITAL TO BLACK & DECKER.

KEY INFORMATION YOU SHOULD KNOW:

- Charge battery for a minimum of 24 hours before using your trimmer, using the Black and Decker 12V charger 244374.
- The guard must be installed before trimming - if not, the motor will overheat, and void your warranty.
- To operate the trimmer, the lock off button must first be pulled back, so the trigger can be activated.
- When replacing the line, use only 0.065 in. diameter ROUND line - otherwise the unit may not function properly.

SAVE THIS MANUAL FOR FUTURE REFERENCE

Cat No. CST1100, CST1200 Form No. 90516469

Copyright © 2007 Black & Decker

SAFETY GUIDELINES - DEFINITIONS

It is important for you to read and understand this manual. The information it contains relates to protecting YOUR SAFETY and PREVENTING PROBLEMS. The symbols below are used to help you recognize this information.

⚠ DANGER: Indicates an imminently hazardous situation which, if not avoided, will result in death or serious injury.

⚠ WARNING: Indicates a potentially hazardous situation which, if not avoided, could result in death or serious injury.

⚠ CAUTION: Indicates a potentially hazardous situation which, if not avoided, may result in minor or moderate injury.

CAUTION: Used without the safety alert symbol indicates a potentially hazardous situation which, if not avoided, may result in property damage.

⚠ WARNING: IMPORTANT SAFETY WARNINGS AND INSTRUCTIONS

⚠ WARNING: When using electric gardening appliances, basic safety precautions should always be followed to reduce risk of fire, electric shock, and personal injury, including the following.

⚠ WARNING: Some dust created by this product contains chemicals known to the State of California to cause cancer, birth defects or other reproductive harm. Some examples of these chemicals are:

- compounds in fertilizers
- compounds in insecticides, herbicides and pesticides
- arsenic and chromium from chemically treated lumber

To reduce your exposure to these chemicals, wear approved safety equipment such as dust masks that are specially designed to filter out microscopic particles.

⚠ WARNING: This product contains chemicals, including lead, known to the State of California to cause cancer, and birth defects or other reproductive harm. Wash hands after handling.

⚠ CAUTION: Wear appropriate personal hearing protection during use. Under some conditions and duration of use, noise from this product may contribute to hearing loss.

READ ALL INSTRUCTIONS

TO REDUCE RISK OF INJURY:

- Before any use, be sure everyone using this tool reads and understands all safety instructions and other information contained in this manual.
- Save these instructions and review frequently prior to use and in instructing others.

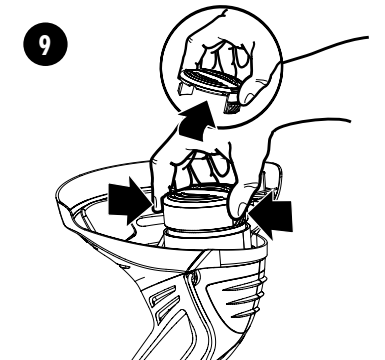
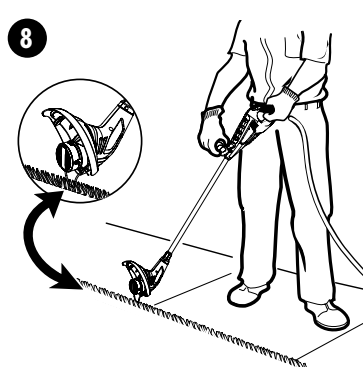
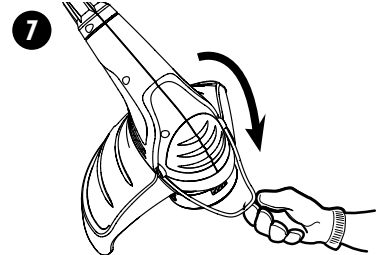
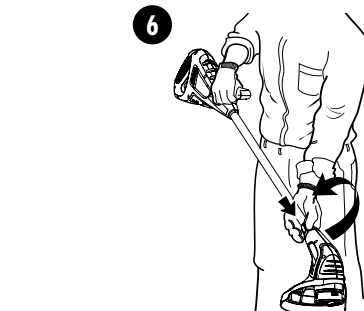
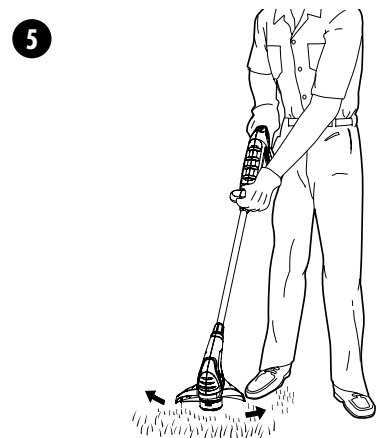
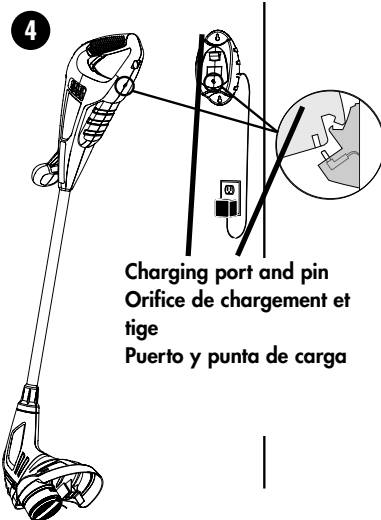
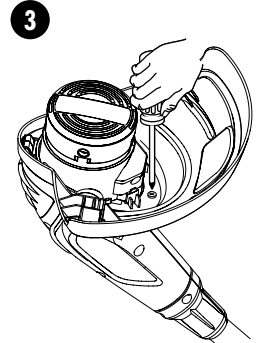
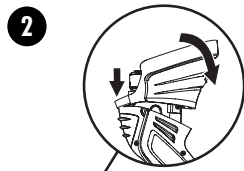
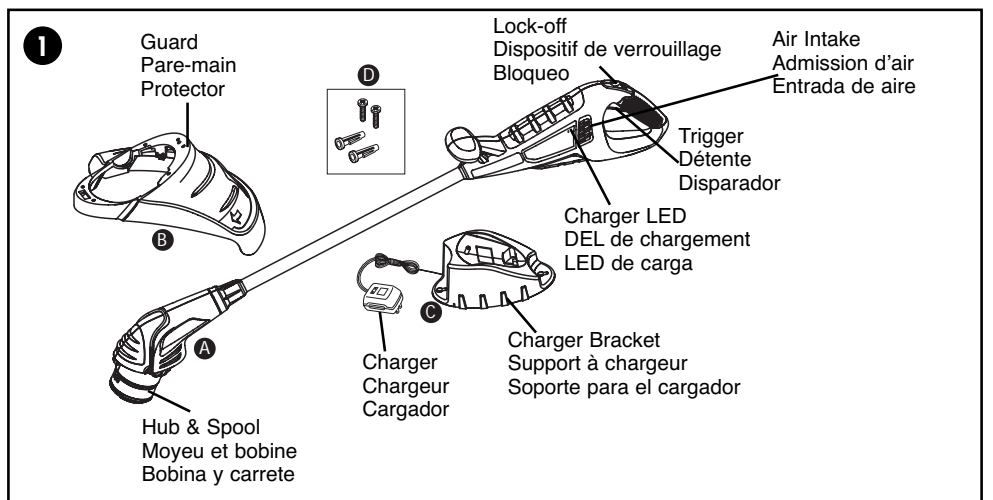
⚠ GENERAL SAFETY WARNINGS AND INSTRUCTIONS FOR ALL TOOLS

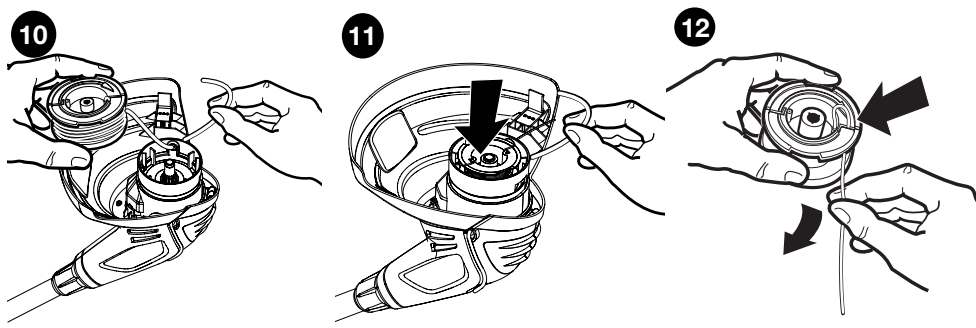
- **ALWAYS WEAR EYE PROTECTION** – Wear safety glasses or goggles at all times when this appliance is in use. Safety glasses are available at extra cost at your local Black & Decker Service Center or authorized service facility. Always use face or dust mask if operation is dusty.
- **GUARD** – Do not use this appliance without guard properly attached.
- **DRESS PROPERLY** – Do not wear loose clothing or jewelry. They can be caught in moving parts. Rubber gloves and substantial rubber soled footwear are recommended when working outdoors. Don't operate the appliance when barefoot or wearing open sandals. Wear long pants to protect your legs. Wear protective hair covering to contain long hair.
- **NYLON LINE** – Keep face, hands and feet clear of rotating cutting line at all times.
- **THE ROTATING LINE PERFORMS A CUTTING FUNCTION** – Use care when trimming around screens, fences and desirable plantings.
- **KEEP CHILDREN AWAY** – All visitors should be kept at safe distance from work area.
- **IMPORTANT WARNING** – When being used stones, pieces of metal and other objects can be thrown out at high speed by the line. The tool and guard are designed to reduce the danger. However, the following special precautions should be taken:

⚠ WARNING: Make sure that other persons and pets are at least 100 ft. (30.5m) away.

- **⚠ WARNING:** To reduce the risk of rebound (ricochet) injury, work going away from any nearby solid object such as a wall, steps, large stone, tree, etc. Use great care when working close to solid objects, and, where necessary, do trimming by hand.
- **AVOID ACCIDENTALLY STARTING** – Don't carry appliance with finger on trigger.
- **DO NOT FORCE THE APPLIANCE** – It will do the job better and with less likelihood of a risk of injury at the rate for which it was designed.
- **USE THE RIGHT APPLIANCE** – Do not use this appliance for any job except that for which it is intended.
- **DON'T OVERREACH** – Keep proper footing and balance at all times.
- **DAMAGE TO APPLIANCE** – If you strike or become entangled with a foreign object, stop tool immediately, check for damage and have any damage repaired before further operation is attempted. Do not operate with a broken hub or spool.
- **AVOID DANGEROUS ENVIRONMENTAL CONDITIONS** – Do not use electric appliances in damp or wet locations. Don't use the appliance in the rain.
- **DO NOT OPERATE** trimmer/edgers in gaseous or explosive atmospheres. Motors in these appliances normally spark, and the sparks might ignite fumes.
- **STORE IDLE APPLIANCES INDOORS** – When not in use, appliances should be stored indoors in a dry locked-up place out of reach of children.
- **STAY ALERT** – Watch what you are doing. Use common sense. Do not operate appliance when you are tired.
- **MAINTAIN APPLIANCES WITH CARE** – Keep cutting edge sharp and clean for best performance and to reduce the risk of injury. Follow instructions for lubricating and changing accessories. Inspect appliance cord periodically, and if damaged, have it repaired by an authorized service facility. Inspect extension cords periodically and replace if damaged. Keep handles dry, clean, and free from oil and grease.
- **CHECK DAMAGED PARTS** – Check for alignment of moving parts, binding of moving parts, breakage of parts, mounting, and any other condition that may affect its operation. Before further use of the appliance, a guard or other part that is damaged should be repaired or replaced by an authorized service center unless otherwise indicated elsewhere in this manual.
- **FOR HOUSEHOLD** use only.
- **KEEP GUARDS IN PLACE AND IN WORKING ORDER.**
- **KEEP HANDS AND FEET AWAY FROM CUTTING AREA.**
- **DO NOT CHARGE APPLIANCE IN RAIN OR IN WET LOCATIONS.**

SAVE THESE INSTRUCTIONS





ADDITIONAL IMPORTANT SAFETY INSTRUCTIONS

- **⚠ WARNING:** When using electric tools, basic safety precautions should always be followed to reduce risk of fire, electric shock, and personal injury, including the following:
 - Do not incinerate the battery even if it is severely damaged or is completely worn out. The battery can explode in a fire. Check with local codes for possible special disposal instructions.
 - If any leakage of liquid from the battery cells occurs, discontinue use immediately and return the battery to your local Black & Decker Service Center or authorized service facility.
 - Never attempt to open the battery for any reason. If the plastic housing of the battery breaks or cracks, immediately discontinue use and do not recharge.
 - Do not charge appliance in rain or in wet locations.
 - Use only the following type and size battery: Black & Decker 244373 - 12V.
 - Use only Black and Decker 12V charger 244374.
 - Exercise care in handling batteries in order not to short the battery with conducting materials such as rings, bracelets and keys. The battery or conductor may overheat and cause burns.
 - Do not open or mutilate the battery. Released electrolyte is corrosive and may cause damage to the eyes or skin. It may be toxic if swallowed.
 - If the battery case cracks due to a fall or other impact and the electrolyte gel leaks out, wipe it up with a cloth, neutralize the acid with any alkaline substance such as ammonia solution or baking soda. If the electrolyte gets on your skin, immediately flush with water and consult a doctor.
 - Do not use battery for anything other than with this product or other designated Black & Decker product.

ASSEMBLY INSTRUCTIONS

Before assembling your Cordless String Trimmer, check that you have received the following in the shipping carton.

See **Figure 1**.

- A. Trimmer/Edger.
- B. Guard.
- C. Charger and Charger Bracket.
- D. Hardware Bag with (2) screws and (2) plastic anchors.

⚠ WARNING: The guard must always be on the tool to protect the user. Use of the unit without the guard will overheat the motor, and void the warranty.

NEVER OPERATE TOOL WITHOUT GUARD FIRMLY IN PLACE.

1. Position the open center of the guard over the line feed head (**Figure 2**).
2. Hinge the guard on the hook located on the lower motor housing. Ensure the line is free, and not tucked under the guard. Once hooked, lightly pull on the back edge of the guard and push the guard down until the 2 latches snap into place on the motor housing. (**Figure 2**)
3. Using a phillips screwdriver, screw the preassembled screw in the guard, into the motor housing. (**Figure 3**)

BATTERY

THE LEAD ACID BATTERY FOR YOUR TRIMMER IS ONLY PARTIALLY CHARGED AT THE FACTORY. BEFORE USING YOUR TRIMMER, THE BATTERY MUST BE CHARGED FOR A MINIMUM OF 24 HOURS.

- Your trimmer is equipped with a charger bracket that may be mounted firmly to a wall in your garage, shed or similar building. (Hardware for hanging the bracket is included in the plastic bag packed with the trimmer.) Charging your battery in this bracket is very convenient because it hangs the tool up, out of the way and ensures a good, solid contact between the charging terminals.

MOUNTING THE CHARGER BRACKET (FIGURE 4)

1. If you intend to mount the charger bracket on a wall, follow the instructions listed below.
2. Use the hardware provided (**Figure 1D**) only if hanging on conventional hollow wall construction such as drywall over studs. If not, use the appropriate fasteners for the particular wall material.
3. Use the charger bracket to mark the locations of the holes required. Be sure to mount the bracket high enough so that the trimmer can hang freely from it; about 4 feet (1.2m) from the floor and close enough to an electrical outlet to plug-in charging transformer.
4. a) **Conventional hollow wall:** Drill a .250 in. (6mm) diameter hole at each marked location. Insert the plastic anchors supplied into the holes and insert one of the screws into each anchor.
b) **Alternative wall materials:** Insert fasteners as appropriate making sure screw heads are small enough to fit through bracket.
5. Tighten the screws until the heads are above the wall just enough so that the charger bracket will fit between the wall and the screw head.
6. Place the charger bracket on the wall (hook end up) and make sure that the power cord is positioned in the side slot. Press the charger bracket over the screw heads and slide it down until it sits firmly on the screws.
7. Firmly tighten both screws.

LED INDICATOR LIGHT

The unit is equipped with a red LED charging indicator light, located on the upper left side of the unit (**Figure 1**). The indicator light will come on when the unit is properly connected to the charging base and the power plug is inserted into the electrical outlet. The light will remain on, so long as the unit is properly connected to the powered charging base. It is recommended to store the unit on the charger during the growing season, with the charger plugged in, to have the battery charged for the next use.

TO CHARGE YOUR BATTERY, FOLLOW THE STEPS BELOW

1. Install the trimmer onto the charger bracket by positioning the handle cavity, shown in **Figure 4** over the hook of the charger bracket.
2. Rotate the trimmer down, keeping the hook engaged with the handle cavity, and position the charge port over the bracket's charge pin (**Figure 4**).
3. Plug the charger into any standard 120 volt, 60Hz outlet. Charging will be automatically controlled until you remove the trimmer from the bracket.
4. It is recommended that the trimmer be left on charge, during the growing season. For winter or other extended periods of storage, it is recommended that the unit be fully charged prior to storage.

OPERATION INSTRUCTIONS

⚠ CAUTION: ALWAYS WEAR EYE PROTECTION.

⚠ CAUTION: Inspect area to be trimmed and remove any wire, cord, or string-like objects which could become entangled in the rotating line or spool. Be particularly careful to avoid any wire which might be bent outwardly into the path of the tool, such as barbs at the base of a chain link fence.

OPERATE THE TRIMMER/EDGER

- To turn trimmer on, pull the lock out button, shown in **Figure 1**, backwards and, then squeeze the trigger switch. To turn the tool off, release the trigger.
- Slowly swing trimmer side-to-side as shown in **Figure 5**.
- To convert for maintenance edging, turn off the tool. (**See Figure 6**) Holding the trimmer with

one hand by the auxiliary handle, grasp the trimmer head collar and push in direction of arrow and rotate the trimmer head clockwise (when viewed from the switch end) until it stops, (half turn), release your hand. The tool is locked in the edger position.

Rotate the wire edge guide forward and down into place before edging, as shown in **Figure 7**.

- To operate as a maintenance edger, position trimmer above sidewalk as shown in **Figure 8**.
- Return to trimming position by turning the tool off, push in direction of arrow and rotating the trimmer head counter clockwise until it stops. When using the tool in the trimmer mode you may choose to fold the wire edge guide up out of the way.

CUTTING LINE LINE FEEDING

Your trimmer uses .065 in. (1.65 mm) diameter, **ROUND** nylon line to cut grass and weeds quickly and easily. During use, the tip of the nylon line will become frayed and worn and the special self feeding line hub will automatically feed and trim a fresh length of line. Cutting line will wear faster and require more feeding if the cutting or edging is done along sidewalks or other abrasive surfaces or heavier weeds are being cut. The advanced automatic line feeding mechanism senses when more cutting line is needed and feeds and trims the correct length of line whenever its required. **DO NOT BUMP** unit on ground in attempt to feed line or for any other purposes.

CLEARING JAMS AND TANGLED LINES

From time to time, especially when cutting thick or stalky weeds, the line feeding hub may become clogged with sap or other material and the line will become jammed as a result. To clear the jam, follow the steps listed below.

1. Press the release tabs on the line hub cap, as shown in **Figure 9** and remove the cap by pulling it straight off.
2. Lift the spool of nylon line out of the hub and clear any broken line or cutting debris from the spool area. (If you plan to replace the spool or rewind it, this is the place to do so, otherwise, move on.)
3. Unwrap about one foot (30 cm) of line to ensure that it's undamaged. If it is OK rewind it and insert the line end through the eyelet in the spool hub as shown in **Figure 10**. Pull 4 in. (10 cm) of the line through the hole and maintain tension while placing the spool down into the hub with the arrow up, as shown in **Figure 11**.
4. Press the spool down **GENTLY** and rotate it until you feel it drop into place. (When in place, the spool will turn a few degrees left and right freely). Take care to keep the line from becoming trapped under the spool.
5. Snap the hub cap back on, and power the tool on. In a few seconds or less you'll hear the nylon line being cut automatically to the proper length.

SPOOL OR LINE REPLACEMENT (Use .065 in. diameter ROUND line only)

1. Perform step 1 above to remove cap.
2. Remove the spool from the tool and remove and discard all line on the spool.
3. Choose either **OPTION 1** or **OPTION 2** below for spool or line replacement. Perform steps listed under Option 1 or Option 2, then continue with steps 4 through 6 below.
4. Insert the line end through the eyelet in the spool hub, as shown in **Figure 10**. Pull the line through the hole to maintain tension while placing the spool down into the hub, as shown in **Figure 11**.
5. Press the spool down **GENTLY** and rotate it until you feel it drop into place. (When in place, the spool will turn a few degrees left and right freely). Take care to keep the line from becoming trapped under the spool.
6. Snap the hub cap back on, and power the tool on. In a few seconds or less you'll hear the nylon line being cut automatically to the proper length.

OPTION 1: ACCESSORY REPLACEMENT SPOOL

Use Black & Decker replacement spool Model No. AF-100. Discard old spool.

OPTION 2: REWINDING SPOOL USING BULK LINE

Bulk line for your trimmer/edger is available at extra cost from your local dealer or Black & Decker Service Center. To install bulk line, follow the steps below. (**Use .065 in. diameter ROUND line only**)

1. Insert one end of the bulk line into the hole in the **spool** as shown in **Figure 12** about 1/2 in. (12 mm).
2. Hold the line in the hole and pull the rest of the line through the slot in the spool, shown in **Figure 12**.
3. Snugly and evenly wind the bulk line onto the spool in the direction of the arrow on the spool until the line builds up to the notches in the spool rim. (**Figure 12**) Do not overfill spool. The spool holds 30 feet (10 m) of line.

TROUBLE SHOOTING GUIDE

Problem	Possible Cause	Solution
1. Unit won't run.	A. Battery not charged.	A. Charge for at least 12 hours.
2. Line won't feed.	A. Line tangled in spool.	A. Unwrap 24 in. of line and rewind.
3. Line fails to cut off.	A. Line cutter in guard is damaged or missing. B. Line extends past guard.	A. Return to service center for replacement/repair. B. Rewind or trim line to line cutter.

MAINTENANCE

1. Keep the air intake slots (**Figure 1**) clean to avoid overheating.
2. Your trimmer line can dry out over time. To keep your line in top condition, store spare pre-wound spools or bulk line in a plastic, sealable bag with a tablespoon of water.
3. Plastic parts may be cleaned by using a mild soap and a damp rag.
4. **DO NOT** immerse tool in water or squirt it with a hose. **DO NOT** allow any liquid to get inside it.
5. Do not store the tool on or adjacent to fertilizers, gasoline, or other chemicals.
6. **DO NOT** clean with a pressure washer.
7. The line cutter on the edge of the guard can dull over time. It is recommended you periodically touch-up the sharpness of the blade with a file.

IMPORTANT: To assure product **SAFETY** and **RELIABILITY**, repairs, maintenance and adjustment should be performed by authorized service centers or other qualified service organizations, always using identical replacement parts.

ACCESSORIES

Use Black & Decker replacement spool Model No. AF-100.

Reload nylon line (either bulk or prewound replacement spool) as shown in this manual.

- **USE ONLY .065 in. (1.65 mm) DIAMETER NYLON MONOFILAMENT LINE.** Do not use serrated or heavier gauge line, as they will overload the motor and cause overheating. The unit only functions properly with 0.065 in. diameter nylon monofilament line. This line is available at your local dealer or authorized service center.

⚠ WARNING: The use of any accessory not recommended by Black & Decker for use with this tool could be hazardous.

SERVICE INFORMATION

Black & Decker offers a full network of company-owned and authorized service locations throughout North America. All Black & Decker Service Centers are staffed with trained personnel to provide customers with efficient and reliable power tool service.

Whether you need technical advice, repair, or genuine factory replacement parts, contact the Black & Decker location nearest you.

To find your local service location, refer to the yellow page directory under "Tools—Electric" or call: **1-800-544-6986**.

FULL TWO-YEAR HOME USE WARRANTY

Black & Decker (U.S.) Inc. warrants this product for two years against any defects in material or workmanship. The defective product will be replaced or repaired at no charge in either of two ways:

The first, which will result in exchanges only, is to return the product to the retailer from whom it was purchased (provided that the store is a participating retailer). Returns should be made within the time period of the retailer's policy for exchanges (usually 30 to 90 days after the sale). Proof of purchase may be required. Please check with the retailer for their specific return policy regarding returns that are beyond the time set for exchanges.

The second option is to take or send the product (prepaid) to a Black & Decker owned or authorized Service Center for repair or replacement at our option. Proof of purchase may be required. Black & Decker owned and authorized service centers are listed under "Tools-Electric" in the yellow pages of the phone directory.

This warranty does not apply to accessories. This warranty gives you specific legal rights and you may have other rights which vary from state to state. Should you have any questions, contact the manager of your nearest Black & Decker Service Centre.

This product is not intended for commercial use.

Free warning label replacement: If your warning labels become illegible or are missing, call 1-800-544-6986 for a free replacement.

Imported by
Black & Decker (U.S.) Inc.,
701 E. Joppa Rd.
Towson, MD 21286 U.S.A.



BlackandDecker.com
1-800-544-6986

See 'Tools-
Electric'
- Yellow Pages -
for Service &
Sales



Taille-bordure sans fil de 12 volts

MODE D'EMPLOI

CST1100, CST1200

AVANT DE RETOURNER CE PRODUIT POUR QUELQUE
RAISON QUI SOIT, VEUILLEZ APPELER AU
1-800-54-HOW-TO (544-6986)

VOICI DES RENSEIGNEMENTS IMPORTANTS A CONNAITRE :

- Charger la pile pendant au moins 24 heures avant d'utiliser la taille-bordure, à l'aide du chargeur 244374 12 V de Black & Decker.
- Le dispositif de protection doit être en place avant de débiter le taillage sinon le moteur surchauffera, ce qui annulera la garantie.
- Pour faire fonctionner la taille-bordure, le bouton du dispositif de verrouillage doit d'abord être tiré vers l'arrière, de manière à activer la détente.
- Utiliser seulement un fil ROND de 1.65 mm (0.065 po) de diamètre lors du remplacement, sinon, l'appareil risque de ne pas fonctionner correctement.

CONSERVER CE MANUEL POUR UN USAGE ULTÉRIEUR

LIGNES DIRECTRICES EN MATIÈRE DE SÉCURITÉ - DÉFINITIONS

Il est important que vous lisiez et compreniez ce mode d'emploi. Les informations qu'il contient concernent VOTRE SÉCURITÉ et visent à ÉVITER TOUT PROBLÈME. Les symboles ci-dessous servent à vous aider à reconnaître cette information.

⚠ DANGER : Indique une situation dangereuse imminente qui, si elle n'est pas évitée, causera la mort ou des graves blessures.

⚠ AVERTISSEMENT : Indique une situation potentiellement dangereuse qui, si elle n'est pas évitée, pourrait causer la mort ou de graves blessures.

⚠ MISE EN GARDE : Indique une situation potentiellement dangereuse qui, si elle n'est pas évitée, pourrait causer des blessures mineures ou modérées.

MISE EN GARDE : Utilisé sans le symbole d'alerte à la sécurité, indique une situation potentiellement dangereuse qui, si elle n'est pas évitée, peut résulter en des dommages à la propriété.

⚠ AVERTISSEMENT : AVERTISSEMENTS DE SÉCURITÉ ET DIRECTIVES DE PREMIÈRE IMPORTANCE

⚠ AVERTISSEMENT : Si des outils de jardinage sont utilisés, des précautions de base en matière de sécurité doivent être suivies afin de réduire le risque d'incendie, de choc électrique et de blessure corporelle, notamment les suivantes.

⚠ AVERTISSEMENT : Certaines poussières produites par cet outil contiennent des produits chimiques reconnus par l'État de la Californie comme pouvant causer le cancer, des anomalies congénitales et d'autres dangers pour la reproduction. Voici quelques exemples de ces produits chimiques :

- composés présents dans les engrais
- composés présents dans les insecticides, herbicides et pesticides
- arsenic et chrome provenant de bois traité chimiquement

Pour réduire votre exposition à ces produits chimiques, porter un équipement de sécurité approuvé comme un masque anti-poussières conçu spécialement pour filtrer les particules microscopiques.

⚠ AVERTISSEMENT : Cet appareil contient des produits chimiques, incluant du plomb, reconnu par l'État de la Californie comme pouvant causer le cancer, des anomalies congénitales et d'autres dangers reproductifs. Se laver les mains après la manipulation de l'appareil.

⚠ MISE EN GARDE : Porter un pare-main anti-bruit pendant l'utilisation. Dans certaines conditions et selon la durée d'utilisation, le bruit provoqué par ce produit peut contribuer à une perte auditive.

LIRE TOUTES CES DIRECTIVES

RÉDUCTION DES RISQUES ET DES BLESSURES :

- Avant tout usage, s'assurer que tout utilisateur de cet outil lise et comprenne toutes les directives de sécurité ainsi que l'information comprise dans le présent manuel.
- Conserver ces directives et les examiner fréquemment avant d'utiliser l'appareil ou de donner des directives aux autres.

⚠ AVERTISSEMENTS ET DIRECTIVES DE SÉCURITÉ GÉNÉRALES POUR TOUS LES OUTILS.

- **TOUJOURS PORTER UNE PROTECTION OCULAIRE** - Porter des lunettes ou des lunettes protectrices en tout temps lorsque cet appareil est utilisé. Des lunettes protectrices sont vendues séparément au centre de réparation Black & Decker ou à un centre de réparation autorisé. Utiliser toujours un masque facial ou anti-poussière si l'opération génère de la poussière.
- **DISPOSITIF DE PROTECTION** - Ne pas utiliser cet appareil sans les dispositifs de protection correctement en place.
- **S'HABILLER DE MANIÈRE APPROPRIÉE** - Ne pas porter de vêtements amples ni de bijoux. Ils peuvent s'enchevêtrer dans les pièces mobiles. Des gants en caoutchouc et des chaussures adéquates à semelles en caoutchouc sont recommandés lors de travaux à l'extérieur. Ne pas utiliser l'appareil avec les pieds nus ou des sandales ouvertes. Porter des pantalons longs pour protéger vos jambes. Se couvrir les cheveux s'ils sont longs.
- **FIL EN NYLON** - Tenir le visage, les mains et pieds loin du fil rotatif en tout temps.
- **LE FIL EN ROTATION EXÉCUTE UNE COUPE** - Être attentif lors du taillage autour de grillages, de clôtures et de plates-bandes.
- **TENIR LES ENFANTS À L'ÉCART** - Tous les visiteurs doivent se trouver à une distance sûre de la zone de travail.

• AVERTISSEMENT IMPORTANT : lorsque l'outil est utilisé, des pierres, des morceaux de métal et autres objets peuvent être projetés à haute vitesse par le fil. L'outil et le dispositif de protection sont conçus pour réduire le risque. Toutefois, les précautions spéciales suivantes doivent être prises :

- **⚠ AVERTISSEMENT :** S'assurer que toute personne et animaux sont éloignés d'au moins 30,5 m (100 pi).
- **⚠ AVERTISSEMENT :** Pour réduire le risque de blessures par ricochet, travailler en s'éloignant de tout objet solide tel un mur, des marches, de grosses pierres, des arbres, etc. Être très prudent lors de travaux près d'objets solides et, le cas échéant, tailler manuellement.
- **ÉVITER LES DÉMARRAGES ACCIDENTELS** - Ne pas transporter d'outil avec le doigt sur la détente.
- **NE PAS FORCER L'APPAREIL** - le travail sera mieux fait à la vitesse pour lequel il a été conçu et sans risque de blessure.
- **UTILISER LE BON APPAREIL** - Ne pas utiliser cet appareil pour tout autre type de travail sauf pour celui pour lequel il est prévu.
- **NE PAS TROP TENDRE LES BRAS** - Conserver son équilibre en tout temps.
- **OUTIL ENDOMMAGÉ** - Si l'utilisateur se frappe ou devient enchevêtré dans un objet, il faut arrêter immédiatement l'outil, le débrancher puis inspecter s'il y a des dommages qui devront être réparés avant une autre utilisation. Ne pas utiliser avec un moyeu ou une bobine brisés.
- **ÉVITER LES CONDITIONS ENVIRONNEMENTALES DANGEREUSES** - Ne pas utiliser d'appareils électriques dans des lieux humides ou mouillés. Ne pas utiliser l'appareil sous la pluie.
- **NE PAS UTILISER** de taille-bordure/coupe-bordure dans un milieu gazeux ou déflagrant. Les moteurs de ces appareils produisent normalement des étincelles qui pourraient enflammer des vapeurs.
- **RANGER LES APPAREILS INUTILISÉS À L'INTÉRIEUR** - Lorsqu'ils ne sont pas utilisés, les appareils doivent être rangés à l'intérieur, dans un endroit sec et verrouillé, hors de portée des enfants.
- **ÊTRE VIGILANT** - Surveiller le travail effectué. Faire preuve de jugement. Ne pas utiliser l'appareil en cas de fatigue.
- **ENTREtenir L'APPAREIL AVEC SOIN** - Garder les lames de coupe tranchantes et propres afin d'assurer la meilleure performance et pour réduire le risque de blessure. Suivre les consignes de graissage et de changement d'accessoires. Inspecter régulièrement le cordon d'alimentation, en cas de dommages, le faire réparer par un centre de réparation autorisé. Inspecter régulièrement les rallonges électriques et remplacer si endommagées. Maintenir les poignées sèches, propres et exemptes d'huile et de graisse.
- **VÉRIFIER LA PRÉSENCE DE PIÈCES ENDOMMAGÉES** - Vérifier l'alignement des pièces mobiles, la présence de grippage des pièces mobiles, de rupture de pièces, la fixation et tout autre problème pouvant nuire au fonctionnement de l'outil. Avant de poursuivre l'utilisation de l'appareil, un dispositif de protection endommagé, ou toute autre pièce endommagée, doit être réparé ou remplacé adéquatement par un centre de réparation autorisé à moins d'un avis contraire indiqué dans le présent mode d'emploi.
- **POUR USAGE DOMESTIQUE** seulement.
- **GARDER LE PARE-MAIN EN PLACE ET EN BON ÉTAT DE FONCTIONNEMENT.**
- **TENIR LES MAINS ET LES PIEDS ÉLOIGNÉS DE LA ZONE DE DÉCOUPE.**
- **NE PAS CHARGER L'APPAREIL SOUS LA PLUIE OU DANS DES ENDROITS HUMIDES.**

CONSERVER CES DIRECTIVES

IMPORTANTES DIRECTIVES SUPPLÉMENTAIRES DE SÉCURITÉ

- **⚠ AVERTISSEMENT :** Si des outils électriques sont utilisés, des précautions de base en matière de sécurité doivent être suivies afin de réduire le risque d'incendie, de choc électrique et de blessure corporelle, notamment les suivantes :
- Ne pas incinérer la pile, même si elle est très endommagée ou complètement usée. La pile peut exploser dans un incendie. Vérifier la réglementation locale relative à la mise au rebut des piles.
- Si une fuite liquide des cellules de pile survient, interrompre immédiatement l'utilisation de l'appareil et retourner la pile au centre de réparation Black & Decker ou dans un autre centre de réparation autorisé.
- Ne jamais tenter d'ouvrir la pile, pour quelque raison que ce soit. Si le boîtier de plastique de la pile se brise ou se fissure, interrompre immédiatement l'utilisation de l'appareil et ne pas le recharger.
- Ne pas charger l'appareil sous la pluie ou dans des endroits humides.
- N'utiliser que le type et la grosseur de pile suivants. Black & Decker 244373 - 12 V.
- N'utiliser qu'un chargeur 244374 12 V de Black & Decker.
- Prendre garde en manipulant les piles afin de ne pas provoquer de court-circuit entre les piles et des objets conducteurs, comme des bagues, des bracelets et des clés. La pile ou le conducteur peut surchauffer et causer des brûlures.
- Ne pas ouvrir ou altérer la pile. L'électrolyte libéré est corrosif et peut endommager les yeux et la peau. Il peut être toxique si avalé.
- Si le boîtier de la pile est fendu en raison d'une chute ou d'un autre impact et que l'électrolyte fuit, essuyer le liquide à l'aide d'un chiffon, neutraliser l'acide avec toute substance alcaline comme une solution à base d'ammoniac ou de bicarbonate de sodium. Si de l'électrolyte se retrouve sur la peau, rincer immédiatement à l'eau et consulter un médecin.
- Ne pas utiliser de pile pour autre chose qu'avec ce produit ou autre produit conçu par Black & Decker.

DIRECTIVES DE MONTAGE

Avant de monter la taille-bordure sans fil, vérifier que la boîte d'expédition contient ce qui suit.

Consulter la **Figure 1**.

- A. Taille-bordure/coupe bordure
- B. Pare-main
- C. Chargeur et support à chargeur.
- D. Sac de matériel avec (2) vis et (2) ancrages en plastique.

⚠ AVERTISSEMENT : Le dispositif de protection doit toujours être en place sur l'outil pour protéger l'opérateur. L'utilisation de l'appareil sans le dispositif de protection risque de faire surchauffer le moteur, et d'annuler la garantie.

NE JAMAIS UTILISER L'OUTIL SANS LE DISPOSITIF DE PROTECTION SOLIDEMENT ATTACHÉ.

1. Positionner la partie centrale ouverte du disque de plastique au-dessus de la tête d'alimentation du fil (**Figure 2**).
2. Fixer le dispositif de protection sur le crochet situé sur le boîtier de moteur inférieur. S'assurer que le cordon est libre et qu'il n'est pas coincé sous le dispositif de protection. Une fois accroché, tirer légèrement l'arrière du dispositif de protection et pousser celui-ci jusqu'à ce que les 2 verrous s'enclenchent sur le boîtier du moteur. (**Figure 2**)
3. À l'aide d'un tournevis à pointe cruciforme, visser la vis pré-assemblée dans le protecteur pour l'insérer dans le boîtier du moteur. (**Figure 3**)

PILE

LA PILE AU PLOMB DE TAILLE-BORDURE N'EST QUE PARTIELLEMENT CHARGÉE EN USINE. AVANT D'UTILISER LE TAILLE-BORDURE, LA PILE DOIT ÊTRE CHARGÉE PENDANT UN MINIMUM DE 24 HEURES.

- Le taille-bordure est muni d'un support à chargeur pouvant être monté solidement à un mur dans le garage, le cabanon ou tout autre endroit semblable. (Le matériel pour suspendre le support est inclus dans le sac en plastique accompagnant le taille-bordure.) Il est très pratique de charger la pile dans ce support parce qu'il permet de suspendre l'outil vers le haut, à l'écart et il assure un contact à la fois adéquat et solide entre les bornes de chargement.

MONTAGE DU SUPPORT À CHARGEUR (FIGURE 4)

1. Pour fixer le support à chargeur au mur, suivre les directives indiquées ci-dessous.
2. Utiliser le matériel fourni (**Figure 1D**) seulement s'il est à suspendre sur un mur creux

conventionnel comme des cloisons sèches. Si ce n'est pas le cas, employer les fixations appropriées prévues pour le matériau constituant le mur utilisé.

- Utiliser le support à chargeur pour indiquer les emplacements des trous requis. S'assurer de fixer le support assez haut de manière à ce que la taille-bordure puisse être suspendu librement, à environ 1,2 m (4 pi) du sol et assez près d'une prise de courant pour pouvoir brancher le transformateur.
- a) **Mur creux conventionnel** : Percer un trou d'un diamètre de 6 mm (0,250 po) à chaque repère indiqué. Insérer les ancrages en plastique fournis dans les trous et insérer une des vis dans chaque ancrage.
b) **Autres types de mur** : Insérer les organes d'assemblage de la manière appropriée en s'assurant que les têtes des vis sont suffisamment petites pour passer dans le support.
- Serrer les vis jusqu'à ce que les têtes soient au-dessus du mur suffisamment pour que le support à chargeur s'ajuste entre le mur et la tête de vis.
- Placer le support à chargeur sur le mur (l'extrémité du crochet vers le haut) et s'assurer que le cordon d'alimentation est positionné dans la fente latérale. Appuyer le support à chargeur sur les têtes de vis et le faire glisser vers le bas jusqu'à ce qu'il se pose fermement sur les vis.
- Serrer fermement les deux vis.

VOYANT DEL

L'appareil est équipé d'un voyant DEL rouge, situé sur le côté supérieur gauche de l'unité (**Figure 1**). Le voyant s'allume lorsque l'appareil est correctement branché à la base de chargement et que le cordon d'alimentation est inséré dans la prise de courant. Le témoin reste allumé, aussi longtemps que l'appareil reste branché correctement à la base de chargement alimentée. Il est recommandé de ranger l'appareil sur le chargeur pendant la saison de végétation, en gardant le chargeur branché, pour que la pile soit chargée pour la prochaine utilisation.

SUIVRE LES ÉTAPES SUIVANTES POUR CHARGER LA PILE

- Installer la taille-bordure sur le support à chargeur en positionnant le logement de la poignée, tel qu'il est illustré dans la **Figure 4**, sur le crochet du support à chargeur.
- Faire tourner la taille-bordure vers le bas, en gardant le crochet enclenché avec le logement de la poignée, et positionner l'orifice de charge sur la goupille de charge du support (**Figure 4**).
- Brancher le chargeur dans toute prise de courant standard de 120 V, 60 Hz. Le chargement est automatiquement contrôlé jusqu'à ce que l'utilisateur ait enlevé la taille-bordure du support.
- Il est recommandé de garder sur taille-bordure sur sa charge tout au long de la saison de végétation. Pendant la saison hivernale ou au cours d'une période prolongée, il est recommandé de charger complètement l'appareil avant de l'entreposer.

DIRECTIVES D'UTILISATION

⚠ MISE EN GARDE : TOUJOURS PORTER UNE PROTECTION OCULAIRE.

⚠ MISE EN GARDE : Inspecter la zone qui sera taillée et retirer tout morceau de fil, de corde ou d'objets similaires qui pourraient s'enchevêtrer dans le fil rotatif ou avec la bobine. Être spécialement attentif et éviter, sur le parcours de l'outil, tout fil courbé vers l'extérieur comme les fils métalliques au pied d'une clôture à mailles losangées.

UTILISATION DU TAILLE-BORDURE/COUPE BORDURE

- Tirer le bouton de verrouillage vers l'arrière pour mettre la taille-bordure en marche, tel qu'il est illustré à la **Figure 1**, puis appuyer sur l'interrupteur. Pour mettre l'outil hors tension, relâcher la détente.
- Balancer lentement la taille-bordure d'un côté à l'autre tel qu'il est illustré à la **Figure 5**.
- Pour passer en mode coupe bordure, mettre l'outil hors tension. (**Voir la Figure 6**) En tenant la taille-bordure à une main par la poignée auxiliaire, saisir le collier de la tête du taille-bordure et le pousser dans le sens de la flèche, puis tourner la tête du taille-bordure vers la droite (en regardant l'extrémité de l'interrupteur) jusqu'à ce qu'il s'arrête, (demi tour), relâcher la main. L'outil se verrouillera en position de taille-bordure. Tourner le guide pour bordure vers l'avant et le bas pour le mettre en place avant la coupe, tel qu'il est illustré à la **Figure 7**.
- Pour l'utilisation en tant que coupe-bordure d'entretien, placer la taille-bordure au dessus du trottoir, tel qu'il est illustré à la **Figure 8**.
- Revenir à la position de taille en mettant l'outil hors fonction, pousser l'interrupteur dans le sens de la flèche et en tournant la tête du taille-bordure vers la gauche jusqu'à ce qu'il s'arrête. Lorsque l'outil est utilisé en mode taille, il est possible de plier le guide bordure pour le mettre à l'écart.

COUPE DU FIL

ALIMENTATION DU FIL

Votre taille-bordure utilise un fil de nylon **RONDE** de 1,65 mm (0,065 po) de diamètre qui coupe l'herbe et les broussailles rapidement et facilement. En cours d'utilisation, l'extrémité du fil de nylon s'effilochera et s'usera. Le moyeu d'alimentation automatisé de fil fournira et coupera automatiquement une nouvelle longueur de fil. Le fil tranchant s'usera plus rapidement et exigera une quantité plus élevée de fil si la coupe ou le taillage s'effectue le long de trottoirs ou autres surfaces abrasives ou si des broussailles plus épaisses sont coupées. Le mécanisme évolué d'alimentation automatisée du fil perçoit la demande accrue de fil et fournit et coupe la bonne longueur de fil dès qu'il est nécessaire. Ne pas frapper l'appareil sur le sol pour alimenter l'appareil ou pour toute autre raison.

DÉSObSTRUER ET DÉSENCHÈVÊTRER LES FILS

De temps en temps, particulièrement lors de la coupe de broussailles épaisses ou vertes, le moyeu d'alimentation de fil s'encrasse avec la sève ou toute autre matière, et le fil se bloque. Pour désobstruer l'ensemble, suivre les étapes suivantes.

- Appuyer sur les onglets de déclenchement sur le dessus du moyeu tel qu'illustré à la **Figure 9** puis retirer le couvercle en le tirant droit.
- Retirer la bobine de fil de nylon du moyeu. Retirer tout morceau de fil brisé ou résidus de coupe de la zone de la bobine. (Si vous désirez remplacer la bobine ou rembobiner le fil, voici l'occasion idéale, si non, continuez)
- Dérouler environ 30 cm (1 pi) de fil pour s'assurer qu'il est en bon état. Si tel est le cas, rembobiner le fil et insérer l'extrémité dans les orifices appropriés du moyeu de la bobine tel qu'il est illustré à la **Figure 10**. Tirer 10 cm (4 po) de fil par l'orifice et maintenir une tension en plaçant la bobine sur le moyeu avec la flèche pointée vers le haut, tel qu'il est illustré à la **Figure 11**.
- Appuyer la bobine **DOUCEMENT** vers le bas et la tourner jusqu'à ce qu'elle se mette en place. (lorsqu'en position, la bobine tournera librement de quelques degrés vers la droite et la gauche). Être attentif et éviter que le fil ne soit pris sous la bobine.
- Enclencher le couvercle du moyeu et mettre l'appareil en marche. Dans quelques seconde ou moins, vous entendrez le fil de nylon qui sera coupé automatiquement à la bonne longueur.

REMPACEMENT DE LA BOBINE OU DU FIL (utiliser uniquement un fil ROND de 1,65 mm (0,065 po) de diamètre)

- Effectuer l'étape 1 ci-dessus pour enlever le bouchon.
- Retirer la bobine puis retirer et jeter tout fil de la bobine.
- Choisir entre **L'OPTION 1** et **L'OPTION 2** ci-dessous pour le remplacement d'une bobine ou d'un fil. Effectuer les étapes de l'Option 1 ou de l'Option 2, puis poursuivre avec les étapes 4 à 6 ci-dessous.
- Insérer les extrémités du fil dans les orifices du moyeu de la bobine tel qu'il est illustré à la **Figure 10**. Tirer sur le fil à travers l'orifice pour maintenir la tension tout en insérant la bobine sur le moyeu, tel qu'il est illustré à la **Figure 11**.
- Appuyer la bobine **DOUCEMENT** vers le bas et la tourner jusqu'à ce qu'elle se mette en place. (lorsqu'en position, la bobine tournera librement de quelques degrés vers la droite et la gauche). Être attentif et éviter que le fil ne soit pris sous la bobine.
- Enclencher le couvercle du moyeu et mettre l'appareil en marche. Dans quelques seconde ou moins, le fil de nylon qui sera coupé automatiquement à la bonne longueur se fera entendre.

OPTION 1 : BOBINE DE RECHANGE

Utiliser la bobine de rechange modèle no AF-100 de Black & Decker. Jeter la vieille bobine.

OPTION 2 : REMBOBINER LA BOBINE AVEC DU FIL EN VRAC

Du fil en vrac, pour votre taille-bordure/coupe-bordure, est vendu séparément chez votre détaillant local ou dans votre centre de réparation Black & Decker. Suivre les étapes ci-dessous pour installer du fil en vrac. (**Utiliser uniquement du fil ROND de 1,65 mm (0,065 po) de diamètre**)

- Insérer une extrémité de fil en vrac dans l'orifice de la **bobine**, tel qu'il est illustré à la **Figure 12**, à environ 12 mm (1/2 po).
- Maintenir le fil dans l'orifice et tirer le reste du fil par la fente de la bobine, tel qu'il est illustré à la **Figure 12**.
- Enrouler le fil en vrac, de façon serrée et uniforme, autour de la bobine, suivant la direction de la flèche, jusqu'aux encoches sur le bord de la bobine. (**Figure 12**) Ne pas surcharger la bobine. La bobine peut contenir 10 m (30 pi) de fil.

GUIDE DE DÉPANNAGE

Problème	Cause possible	Solution
1. L'appareil ne fonctionne pas.	A. Pile non chargée.	A. Charger pendant au moins 12 heures.
2. Le fil ne s'alimente pas.	A. Le fil est enchevêtré dans la bobine.	A. Dérouler 60 cm (24 po) de fil et l'enrouler.
3. Le fil ne se coupe pas.	A. Le coupe-fil dans le dispositif de protection est endommagé ou manquant. B. Le fil s'allonge au-delà du dispositif de protection.	A. Retourner au centre de réparation pour remplacement ou réparation. B. Enrouler ou tailler le fil au coupe-fil.

ENTRETIEN

- Tenir les orifices de ventilation (**Figure 1**) dégagés pour éviter la surchauffe.
- Votre fil rotatif peut sécher avec le temps. Pour tenir votre fil en excellente condition, entreposer les bobines de rechange de fil pré-enroulé ou le fil en vrac dans un sac en plastique scellé contenant une cuillère d'eau.
- Les pièces en plastique se nettoient avec un savon doux et un chiffon humide.
- NE PAS** immerger l'outil dans l'eau ou l'arroser au boyau. ÉVITER la pénétration de tout liquide dans l'outil.
- Ne pas ranger l'outil sur des engrais, de l'essence, d'autres produits chimiques ou près de ceux-ci.
- NE PAS** nettoyer avec un nettoyeur à pression.
- Le coupe fil sur le bord du dispositif de protection peut s'éémousser avec le temps. Il est recommandé de s'assurer régulièrement que la lame est bien tranchante en utilisant une lime.

IMPORTANT : Pour garantie la **SÉCURITÉ** et la **FIABILITÉ** du produit, les réparations, l'entretien et le réglage doivent être réalisés par un centre de réparation autorisé ou tout autre centre de réparation professionnel, et des pièces de rechange identiques doivent être utilisées.

ACCESSOIRES

Utiliser la bobine de rechange modèle no AF-100 de Black & Decker.

Recharger le fil de nylon (en vrac ou sur bobine de rechange) selon les directives de ce mode d'emploi.

- UTILISER UNIQUEMENT DU FIL DE NYLON (MONOFILAMENT) DE 1,65 mm (0,065 po) DE DIAMÈTRE.** Ne pas utiliser de fil dentelé ou de plus gros calibre car ces fils surchargeront le moteur et provoqueront une surchauffe. L'appareil ne fonctionne bien qu'avec du fil de nylon (monofilament) de 1,65 mm (0,065 po) de diamètre. Ce fil est disponible auprès de votre détaillant local ou centre de réparation autorisé.

⚠ AVERTISSEMENT : L'utilisation de tout accessoire non recommandé par Black & Decker, avec cet outil, pourrait s'avérer dangereuse.

INFORMATION SUR LES RÉPARATIONS

Black & Decker dispose d'un réseau complet de centres de réparation et de centres autorisés situés partout en Amérique du Nord. Tous les centres de réparation Black & Decker sont dotés de personnel qualifié en matière d'outillage électrique; ils sont donc en mesure d'offrir à leur clientèle un service efficace et fiable.

Que ce soit pour un avis technique, une réparation ou des pièces de rechange authentiques installées en usine, communiquer avec l'établissement Black & Decker le plus près.

Pour trouver l'établissement de réparation de sa région, consulter le répertoire des pages jaunes à la rubrique « Outils électriques » ou composer le numéro suivant :

1 (800) 54-HOW-TO.

GARANTIE COMPLÈTE DE DEUX ANS POUR UNE UTILISATION DOMESTIQUE

Black & Decker (É.-U.) Inc. garantit ce produit pour une durée de deux ans contre tout défaut de matériau ou de fabrication. Le produit défectueux sera remplacé ou réparé sans frais d'une des deux façons suivantes :

La première façon consiste en un échange chez le détaillant où le produit a été acheté (à la condition que le magasin soit un détaillant participant). Tout retour doit se faire durant la période correspondant à la politique d'échange du détaillant (habituellement, de 30 à 90 jours après l'achat). Une preuve d'achat peut être requise. Vérifier auprès du détaillant pour connaître sa politique concernant les retours hors de la période définie pour les échanges.

La deuxième option est d'apporter ou d'envoyer le produit (transport payé d'avance) à un centre de réparation autorisé ou à un centre de réparation de Black & Decker pour faire réparer ou échanger le produit, à notre discrétion. Une preuve d'achat peut être requise. Les centres de réparation autorisés ou appartenant à Black & Decker sont répertoriés dans les Pages jaunes sous la rubrique « Outils électriques » du bottin téléphonique.

Cette garantie ne s'applique pas aux accessoires. Cette garantie accordée à l'utilisateur des droits légaux spécifiques et l'utilisateur pourrait avoir d'autres droits qui varient d'un État ou d'une province à l'autre. Si vous avez des questions, communiquez avec le directeur du centre de réparation Black & Decker le plus près de chez vous.

Ce produit n'est pas destiné à un usage commercial.

Remplacement gratuit des étiquettes d'avertissement : Si les étiquettes d'avertissement deviennent illisibles ou sont manquantes, composer le **1 800 544-6986** pour faire remplacer gratuitement les étiquettes.

Imported by / Importé par
Black & Decker Canada Inc.
100 Central Ave.
Brockville (Ontario) K6V 5W6

**Voir 'Outils électriques'
– Pages Jaunes –
pour Service et ventes**



Podadora inalámbrica de 12 voltios

MANUAL DE INSTRUCCIONES

CST1100, CST1200

ANTES DE DEVOLVER ESTE PRODUCTO POR CUALQUIER RAZÓN, POR FAVOR LLAME AL (55)5326-7100

INFORMACION CLAVE QUE USTED DEBE CONOCER:

- Cargue la batería al menos 24 horas antes de usar la podadora. Para hacerlo, use el cargador de 12 voltios de Black and Decker 244374.
- El protector debe instalarse antes de podar. De lo contrario, el motor se sobrecalentará y anulará la garantía.
- Para operar la podadora, el botón de bloqueo debe primero presionarse hacia atrás de modo que se pueda activar el disparador.
- Al reemplazar la cuerda, sólo utilice una cuerda REDONDA de 1,65 mm (0,065") de diámetro. De lo contrario, la unidad posiblemente no funcione correctamente.

CONSERVE ESTE MANUAL PARA FUTURAS CONSULTAS.

PAUTAS DE SEGURIDAD/DEFINICIONES

Es importante que lea y comprenda este manual. La información que contiene se relaciona con la protección de SU SEGURIDAD y la PREVENCIÓN DE PROBLEMAS. Los símbolos que siguen se utilizan para ayudarlo a reconocer esta información.

⚠ PELIGRO: indica una situación de peligro inminente que, si no se evita, provocará la muerte o lesiones graves.

⚠ ADVERTENCIA: indica una situación de peligro potencial que, si no se evita, provocará la muerte o lesiones graves.

⚠ PRECAUCIÓN: indica una situación de peligro potencial que, si no se evita, provocará lesiones leves o moderadas.

PRECAUCIÓN: utilizado sin el símbolo de alerta de seguridad indica una situación de peligro potencial que, si no se evita, puede provocar daños en la propiedad.

⚠ ADVERTENCIA: INSTRUCCIONES Y ADVERTENCIAS IMPORTANTES SOBRE SEGURIDAD:

⚠ ADVERTENCIA: Al utilizar herramientas eléctricas para jardín, siempre deben cumplirse las precauciones de seguridad básicas para reducir el riesgo de incendio, descarga eléctrica y lesiones personales, incluidas las siguientes.

⚠ ADVERTENCIA: Parte del polvo generado por este producto contiene sustancias químicas reconocidas por el estado de California como causantes de cáncer, defectos congénitos y otros problemas reproductivos. Algunos ejemplos de estos productos químicos son:

- compuestos en los fertilizantes
- compuestos en los insecticidas, herbicidas y pesticidas
- arsénico y cromo de la madera con tratamiento químico

Para reducir su exposición a estos productos químicos, use equipo de seguridad aprobado, como máscaras para polvo que están diseñadas especialmente para filtrar las partículas microscópicas.

⚠ ADVERTENCIA: Este producto contiene sustancias químicas, incluido el plomo, reconocidas por el Estado de California como causantes de cáncer, defectos congénitos u otros problemas reproductivos. Lave sus manos después de utilizarlo.

⚠ PRECAUCIÓN: Utilice la protección auditiva apropiada mientras usa la herramienta. En determinadas condiciones y según el período de uso, el ruido provocado por este producto puede ocasionar pérdida de la audición.

LEA TODAS LAS INSTRUCCIONES

PARA REDUCIR EL RIESGO DE LESIONES:

- Antes de utilizar la herramienta, asegúrese de que todas las personas que la utilicen hayan leído y comprendido todas las instrucciones de seguridad y demás información incluida en este manual.
- Guarde estas instrucciones y revíselas con frecuencia antes de usar la herramienta y al enseñarles a los demás.

⚠ ADVERTENCIAS E INSTRUCCIONES DE SEGURIDAD GENERALES PARA TODAS LAS HERRAMIENTAS

- **SIEMPRE UTILICE PROTECCIÓN PARA LOS OJOS:** utilice gafas o anteojos de seguridad en todo momento que esta herramienta esté en uso. Los anteojos de seguridad están disponibles a un costo adicional en su Centro de mantenimiento de Black & Decker o instalación de servicio autorizado. Utilice siempre máscaras faciales o para polvo si la operación produce polvo.
- **PROTECTOR:** nunca utilice esta herramienta sin el protector correctamente colocado.
- **UTILICE LA VESTIMENTA ADECUADA:** no utilice ropa holgada ni joyas. Pueden atascarse en las piezas en movimiento. Se recomienda utilizar guantes de goma y calzado con una suela de goma considerable al trabajar al aire libre. No opere la herramienta descalzo o con sandalias abiertas. Utilice pantalones largos para protegerse las piernas. Recójase y cubra el cabello largo.
- **CUERDA DE NYLON:** mantenga la cara, las manos y los pies lejos de la cuerda de corte giratoria en todo momento.
- **LA CUERDA GIRATORIA REALIZA UNA FUNCIÓN DE CORTE:** tenga precaución al podar alrededor de pantallas, cercas y plantas que desea.
- **MANTENGA A LOS NIÑOS ALEJADOS:** todos los visitantes deben mantenerse a una distancia segura del área de trabajo.
- **ADVERTENCIA IMPORTANTE:** al utilizar la herramienta, las piedras, las piezas de metal y otros objetos pueden ser arrojados a alta velocidad por la acción de la cuerda. La herramienta y el protector están diseñados para reducir el peligro. No obstante, se deben tener en cuenta las siguientes precauciones especiales:
- **⚠ ADVERTENCIA:** Asegúrese de que las demás personas y mascotas estén a no menos de 30,5 m (100 pies) de distancia.
- **⚠ ADVERTENCIA:** Para reducir el riesgo de lesiones por repercusión (rebote), trabaje lejos de cualquier objeto sólido cercano como pared, escalones, piedras grandes, árboles, etc. Tenga suma precaución al trabajar cerca de objetos sólidos y, cuando sea necesario, pade o borde en forma manual.
- **EVITE EL ARRANQUE ACCIDENTAL:** nunca transporte la herramienta con el dedo en el disparador.
- **NO FUERCE EL DISPOSITIVO:** trabajará mejor y con menos probabilidad de lesiones personales si se opera a la velocidad para la que fue diseñado.
- **UTILICE LA HERRAMIENTA ADECUADA:** no utilice esta herramienta para un trabajo diferente a aquéllos para los que fue diseñada.
- **NO SE ESTIRE:** conserve el equilibrio adecuado y manténgase parado correctamente en todo momento.
- **DAÑO A LA UNIDAD:** si golpea la herramienta o ésta se atasca con un objeto extraño, deténgala de inmediato, verifique que no se haya dañado y repare cualquier daño antes de seguir utilizándola. No opere la herramienta si la bobina o el carrete están dañados.

- **EVITE LAS CONDICIONES AMBIENTALES PELIGROSAS:** no utilice herramientas eléctricas en lugares húmedos o mojados. No utilice la herramienta bajo la lluvia.
- **NO OPERE** podadoras/bordeadoras para jardín en atmósferas gaseosas o explosivas. Los motores de estos dispositivos normalmente chispean, y las chispas pueden encender los vapores.
- **GUARDE LAS HERRAMIENTAS QUE NO SE UTILICEN EN EL INTERIOR:** cuando no las utilice, las herramientas deben guardarse en un lugar seco, alto o bajo llave, lejos del alcance de los niños.
- **ESTÉ ALERTA:** fíjese en lo que está haciendo. Use el sentido común. No opere el dispositivo si está cansado.
- **REALICE EL MANTENIMIENTO CON CUIDADO:** mantenga el borde afilado y limpio, para obtener un mejor rendimiento y reducir el riesgo de lesiones personales. Siga las instrucciones para lubricar y cambiar los accesorios. Inspeccione el cable del electrodoméstico periódicamente y, en caso de estar dañado, llévelo a una instalación de mantenimiento autorizada para que lo reparen. Inspeccione los cables prolongadores periódicamente y reemplácelos si están dañados. Mantenga los mangos secos, limpios y libres de aceite y grasas.
- **VERIFIQUE LAS PIEZAS DAÑADAS:** verifique la alineación y la sujeción de las piezas móviles, si hay piezas rotas, el montaje y cualquier otra condición que pueda afectar su operación. Antes de utilizar la herramienta nuevamente, cualquier protección u otra pieza que esté dañada debe ser reparada o reemplazada por un centro de mantenimiento autorizado, a menos que este manual indique otra cosa.
- **PARA USO DOMÉSTICO** solamente.
- **MANTENGA LOS PROTECTORES INSTALADOS ADECUADAMENTE Y EN FUNCIONAMIENTO.**
- **MANTENGA LAS MANOS Y LOS PIES LEJOS DEL ÁREA DE CORTE.**
- **NO CARGUE LA HERRAMIENTA BAJO LA LLUVIA O EN LUGARES HÚMEDOS.**

CONSERVE ESTAS INSTRUCCIONES

INSTRUCCIONES DE SEGURIDAD ADICIONALES IMPORTANTES

- **⚠ ADVERTENCIA:** Al utilizar herramientas eléctricas, siempre se deben tomar ciertas precauciones básicas de seguridad para minimizar el riesgo de incendio, descarga eléctrica y lesiones personales.
- No incinere la batería aun si tiene daños importantes o está completamente desgastada. La batería puede explotar en el fuego. Consulte los códigos locales para obtener posibles instrucciones especiales de desecho.
- En caso de pérdida de líquido de las celdas de la batería, interrumpa su uso de inmediato y devuelva la batería a su Centro local de mantenimiento de Black & Decker o a una instalación de mantenimiento autorizada.
- Nunca intente abrir la batería por ningún motivo. Si la caja de plástico de la batería se rompe o agrieta, interrumpa de inmediato su uso y no la recargue.
- No cargue el dispositivo bajo la lluvia o en lugares húmedos.
- Use solamente el siguiente tipo y tamaño de batería: Black & Decker 244373 - 12 V.
- Use solamente el cargador de 12 voltios de Black and Decker 244374.
- Tenga cuidado al manipular las baterías a fin de no producir un cortocircuito entre las baterías y materiales de conducción como anillos, pulseras y llaves. La batería o el conductor pueden sobrecalentarse y ocasionar quemaduras.
- No abra ni dañe la batería. Los electrolitos liberados son corrosivos y pueden ocasionar lesiones en los ojos o en la piel. Puede ser tóxico si se traga.
- Si la caja de la batería se agrieta debido a una caída u otro impacto, y el gel de electrolito se derrama, límpielo con un paño, neutralice el ácido con cualquier sustancia alcalina como solución de amoníaco o agua de soda. Si el electrolito entra en contacto con la piel, lave inmediatamente con agua y consulte a un médico.
- No utilice la batería para cualquier otra herramienta diferente u otro producto de Black & Decker designado.

INSTRUCCIONES PARA EL ENSAMBLAJE

Antes de armar su bordeadora inalámbrica, verifique que haya recibido lo siguiente en la caja de envío.

Vea la **Figura 1**.

- Podadora/Bordeadora.
- Protector.
- Cargador y soporte para cargador.
- Bolsa para el equipo con (2) tornillos y (2) anclajes de plástico.

⚠ ADVERTENCIA: El protector siempre debe estar instalado en la herramienta para proteger al usuario. El uso de la unidad sin el protector sobrecalentará el motor y anulará la garantía.

NUNCA OPERE LA HERRAMIENTA SIN EL PROTECTOR ADECUADAMENTE INSTALADO.

1. Coloque el centro abierto del protector sobre la cabeza de alimentación de la cuerda (**Figura 2**).
2. Coloque el protector en el gancho ubicado en la parte inferior de la caja del motor. Asegúrese de que la cuerda esté libre y no metida debajo del protector. Después de enganchada, presione levemente el borde posterior del protector y empújelo hacia abajo hasta que los 2 pasadores se ajusten en su lugar en la caja del motor. (**Figura 2**)
3. Con un destornillador Phillips, atornille el tornillo preensamblado en el protector en la caja del motor. (**Figura 3**)

BATERÍA

LA BATERÍA DE PLOMO ÁCIDO PARA LA PODADORA SÓLO SE CARGÓ DE FORMA PARCIAL EN LA FÁBRICA. ANTES DE UTILIZARLA, SE DEBE CARGAR LA BATERÍA DURANTE UN MÍNIMO DE 24 HORAS.

- La podadora viene con un soporte para cargador que puede montarse firmemente en la pared de la cochera, un cobertizo o un lugar similar. (El equipo para colgar el soporte está incluido en la bolsa de plástico en la que vino la podadora). Es conveniente cargar la batería en este soporte porque coloca la herramienta en una posición alta, fuera del camino y garantiza un contacto constante y bueno entre los terminales de carga.

MONTAJE DEL SOPORTE PARA EL CARGADOR (FIGURA 4)

1. Si tiene la intención de montar el soporte para el cargador en una pared, siga las instrucciones a continuación.
2. Use el equipo provisto (**Figura 1D**) sólo si lo colocará en una pared hueca convencional como material de construcción en seco sobre largueros. De lo contrario, use los sujetadores adecuados para el material en particular de la pared.
3. Use el soporte para el cargador para marcar las ubicaciones de los orificios necesarios. Asegúrese de montar el soporte a la altura suficiente de modo que la podadora pueda colgar libremente de él, a aproximadamente 1,2 m (4 pies) del piso y lo suficientemente cerca a un tomacorriente para enchufar el transformador de carga.
4. a) **Pared hueca convencional:** Taladre un orificio de 6 mm (0,250") de diámetro en cada ubicación marcada. Inserte los anclajes plásticos suministrados en los orificios e inserte uno de los tornillos en cada anclaje.
b) **Materiales de pared alternativos:** Inserte los sujetadores según sea adecuado y asegúrese de que las cabezas de los tornillos sean lo suficientemente pequeñas para encajar a través del soporte.
5. Ajuste los tornillos hasta que las cabezas estén bien por encima de la pared, de manera que el soporte para el cargador calce entre la pared y la cabeza del tornillo.
6. Coloque el soporte para el cargador en la pared (el extremo del gancho hacia arriba) y asegúrese de que el cable de alimentación esté dentro de la ranura lateral. Presione el soporte para el cargador sobre las cabezas de los tornillos y deslícelo hasta que se asiente firmemente en ellos.
7. Ajuste con firmeza ambos tornillos.

LUZ INDICADORA LED

La unidad viene con una luz indicadora de carga LED roja que se encuentra en el lado superior izquierdo de la unidad (**Figura 1**). La luz indicadora se encenderá cuando la unidad esté correctamente conectada a la base de carga y el enchufe de alimentación insertado en el tomacorriente. La luz permanecerá encendida siempre que la unidad siga correctamente

conectada a la base de carga con energía. Se recomienda que almacene la unidad en el cargador durante la temporada de cultivo con el cargador enchufado, de modo que la batería esté cargada para el próximo uso.

PARA CARGAR LA BATERÍA, SIGA LOS PASOS A CONTINUACIÓN:

1. Instale la podadora en el soporte para el cargador colocando la cavidad del mango como se muestra en la **Figura 4**, sobre el gancho del soporte para el cargador.
2. Gire la podadora hacia abajo de modo que el gancho se ajuste en la cavidad del mango y coloque el puerto de carga sobre la clavija de carga del soporte (**Figura 4**).
3. Enchufe el cargador en cualquier tomacorriente estándar de 120 voltios, 60 Hz. La carga se controlará automáticamente hasta que retire la podadora del soporte.
4. Se recomienda que la podadora se deje cargando durante la temporada de cultivo. Para el invierno y otros períodos prolongados de almacenamiento, se recomienda que la unidad esté completamente cargada antes de guardarla.

INSTRUCCIONES DE USO

⚠️ PRECAUCIÓN: SIEMPRE UTILICE PROTECCIÓN PARA LOS OJOS.

⚠️ **PRECAUCIÓN:** Inspeccione el área que desea podar y retire cualquier cable, alambre y demás objetos afilados que puedan atascarse en la cuerda o el carrete giratorio. Tenga especial precaución a fin de evitar cables que estén doblados hacia afuera del trayecto de la herramienta, como las púas en la base de un alambre de púas.

USO DE LA PODADORA/BORDEADORA

- Encienda la podadora, presione el botón de desbloqueo como se muestra en la **Figura 1**, hacia atrás y presione el interruptor disparador. Para apagar la herramienta, suelte el disparador.
- Gire lentamente la podadora de lado a lado como se muestra en la **Figura 5**.
- Para cambiar la función a bordeadora de mantenimiento, apague la herramienta. (**Vea la figura 6**) Sujete la podadora con una mano por el mango auxiliar y tome el anillo del cabezal de la podadora, presione en la dirección de la flecha y gire el cabezal en el sentido de las agujas del reloj (viéndolo desde el extremo del interruptor) hasta que se detenga (media vuelta) y suelte la mano. La herramienta está bloqueada en la posición de bordeadora. Gire la guía del borde del cable hacia adelante y atrás para colocarla en su lugar antes de bordear, como se muestra en la **Figura 7**.
- Para usarla como bordeadora de mantenimiento, coloque la podadora por encima de la acera como se muestra en la **Figura 8**.
- Para volver a la posición de podar, apague la herramienta, presione en la dirección de la flecha y gire el contador del cabezal de la podadora en el sentido de las agujas del reloj hasta que se detenga. Al utilizar la herramienta en el modo de podar, puede optar por plegar la guía del borde del cable hacia arriba fuera del camino.

CUERDA DE CORTE

ALIMENTACIÓN DE LA CUERDA

La podadora utiliza una cuerda de nylon **REDONDA** de 1,65 mm (0,065") de diámetro para cortar césped y malezas con rapidez y facilidad. Durante el uso, la punta de la cuerda de nylon se deshilará y desgastará, y la bobina de la cuerda de alimentación automática especial se autoalimentará y recortará la cuerda para proporcionar una punta nueva. La cuerda de corte se desgastará más rápido y necesitará más alimentación si el corte o el borde se realiza cerca de aceras u otras superficies abrasivas, o si se cortan malezas más espesas. El mecanismo avanzado de alimentación automática de la cuerda detecta cuándo se necesita más cuerda de corte y alimenta y corta la longitud correcta de cuerda según sea necesario. No deje caer la unidad al intentar alimentar una cuerda ni por algún otro motivo.

LIMPIEZA DE ATASCOS Y CUERDAS ENREDADAS

De vez en cuando, especialmente al cortar malezas espesas o frondosas, la bobina de alimentación de la cuerda puede atascarse con la savia de las plantas u otro material, de modo que la cuerda también se atasca. Para limpiar el atasco, siga los pasos descritos a continuación.

1. Presione las lengüetas de liberación en la tapa de la bobina de la cuerda como se muestra en la **Figura 9** y jale la tapa hacia afuera en línea recta para retirarla.
2. Levante la bobina de cuerdas de nylon fuera del carrete y retire toda cuerda dañada o el polvo del corte del área de la bobina. (Si desea reemplazar la bobina o rebobinarla, éste es el momento en que debe hacerlo. De lo contrario, continúe).
3. Desenrolle aproximadamente 30 cm (1 pie) de cuerda para asegurarse de que no esté dañada. Si está en buenas condiciones, rebobine e inserte el extremo de la cuerda a través del orificio en el carrete de la bobina como se muestra en la **Figura 10**. Inserte 10 cm (4") de cuerda a través del orificio y mantenga la tensión al colocar la bobina en el carrete con la flecha hacia arriba, como se muestra en la **Figura 11**.
4. Presione el carrete hacia abajo CON DELICADEZA y gírelo hasta que sienta que encaja en su lugar. (Cuando esté fijo, el carrete podrá moverse algunos grados a la izquierda y a la derecha con libertad). Tenga cuidado para evitar que la cuerda quede atrapada bajo el carrete.
5. Presione la tapa de la bobina en su lugar nuevamente y encienda la herramienta. En algunos segundos o menos, escuchará que la cuerda de nylon se cortará automáticamente a la longitud adecuada.

REEMPLAZO DEL CARRETE O LA CUERDA (Use solamente cuerdas de 1,65 mm (0,065") de diámetro)

1. Realice el paso 1 anterior para retirar la tapa.
2. Retire el carrete de la herramienta, y retire y deseche toda la cuerda en el carrete.
3. Elija la Opción 1 o la Opción 2 a continuación para reemplazar el carrete o la cuerda. Realice los pasos enumerados debajo de la Opción 1 o la Opción 2, y prosiga con los pasos 4 a 6 a continuación.
4. Inserte los extremos de la cuerda a través del orificio en la bobina del carrete como se muestra en la **Figura 10**. Empuje la cuerda a través del orificio para mantener la tensión al colocar el carrete en el cubo como se muestra en la **Figura 11**.
5. Presione el carrete hacia abajo CON DELICADEZA y gírelo hasta que sienta que encaja en su lugar. (Cuando esté fijo, el carrete podrá moverse algunos grados a la izquierda y a la derecha con libertad). Tenga cuidado para evitar que la cuerda quede atrapada bajo el carrete.
6. Presione la tapa de la bobina en su lugar nuevamente y encienda la herramienta. En algunos segundos o menos, escuchará que la cuerda de nylon se cortará automáticamente a la longitud adecuada.

OPCIÓN 1: CARRETE DE REPUESTO ACCESORIO

Use el carrete de repuesto de Black & Decker Modelo N° AF-100. Deseche el carrete anterior.

OPCIÓN 2: REBOBINADO DEL CARRETE CON LA CUERDA DE PAQUETE

La cuerda de paquete para la podadora/bordeadora está disponible a un costo adicional en su distribuidor local o en el Centro de mantenimiento de Black & Decker. Para instalar la cuerda de paquete, siga los pasos a continuación. (**Use cuerdas REDONDAS de 1,65 mm (0,065") de diámetro solamente**)

1. Inserte un extremo de la cuerda de paquete en el orificio del **carrete** como se muestra en la **Figura 12**, aproximadamente 12,7 mm (1/2").
2. Sujete la cuerda en el orificio y empuje el resto de la cuerda a través de la ranura en el carrete, como se muestra en la **Figura 12**.
3. Bobine suavemente y en forma uniforme la cuerda de paquete en el carrete en la dirección de la flecha hasta que la cuerda se acumule en las muescas del borde del carrete. (**Figura 12**) No cargue excesivamente el carrete. El carrete puede tener hasta 10 m (30 pies) de cuerda.

Problema	GUÍA DE SOLUCIÓN DE PROBLEMAS Causa posible	Solución
1. La unidad no funciona.	A. La batería no está cargada.	A. Cargue durante al menos 12 horas.
2. La cuerda no se alimenta.	A. La cuerda está atascada en el carrete.	A. Desenrolle 60,96 cm (24") de cuerda y vuelva a bobinarla.
3. La cuerda no corta.	A. El cortador de la cuerda en el protector está dañado o no está. B. La cuerda sobresale del protector.	A. Devuelva al centro de mantenimiento para reparación/reemplazo. B. Rebobine o corte la cuerda hasta el cortador de cuerda.

MANTENIMIENTO

1. Mantenga limpias las ranuras de admisión de aire (**Figura 1**) para evitar el sobrecalentamiento.
2. La cuerda de la podadora puede secarse con el tiempo. Para conservar la cuerda en óptimas condiciones, guarde los carretes pre-enrollados de repuesto o la cuerda en paquete en una bolsa sellada de plástico con una cucharada de agua.
3. Las piezas de plástico pueden limpiarse utilizando jabón suave y un paño húmedo.
4. NO sumerja la herramienta en agua ni la salpique con una manguera. NO permita que ningún líquido entre en ella.
5. No guarde la herramienta sobre o cerca de fertilizantes, gasolina u otros productos químicos.
6. NO limpie con una lavadora a presión.
7. La cortadora de cuerda en el extremo del protector puede perder filo con el tiempo. Se recomienda que: mantenga periódicamente el filo de la hoja con una lima.

IMPORTANTE: Para garantizar la SEGURIDAD y la CONFIABILIDAD del producto, las reparaciones, el mantenimiento y los ajustes se deben realizar en los centros de mantenimiento autorizados o en otras organizaciones de mantenimiento calificadas, utilizando siempre piezas de repuesto idénticas.

ACCESORIOS

Utilice el carrete de repuesto de Black & Decker modelo N° AF-100. Vuelva a cargar la cuerda de nylon (de paquete o el carrete de repuesto pre-enrollado) como se muestra en este manual.

- UTILICE SOLAMENTE CUERDA DE MONOFILAMENTO DE 1,65 mm (0,065") DE DIÁMETRO. No utilice cuerdas dentadas o de mayor calibre ya que sobrecargarán el motor y provocarán sobrecalentamiento. La unidad sólo funciona correctamente con la cuerda de monofilamento de nylon de 1,65 mm (0,065") de diámetro: Puede conseguir esta cuerda a través de su distribuidor local o centro de mantenimiento autorizado.

⚠️ **ADVERTENCIA:** El uso de cualquier accesorio no recomendado por Black & Decker para esta herramienta puede ser peligroso.

INFORMACIÓN DE MANTENIMIENTO

Black & Decker ofrece una amplia red de puntos de servicio propios y autorizados en toda Norteamérica. Todos los Centros de mantenimiento de Black & Decker cuentan con personal altamente capacitado dispuesto a brindar a todos los clientes un servicio eficiente y confiable en la reparación de herramientas eléctricas.

Si necesita consejo técnico, reparaciones o piezas de repuesto originales de fábrica, póngase en contacto con el centro de mantenimiento de Black & Decker más cercano a su domicilio.

Para ubicar su centro de servicio local, consulte "Herramientas eléctricas (Tools-Electric)" en la sección amarilla, o llame al: **(55)5326-7100**

GARANTÍA COMPLETA DE DOS AÑOS PARA USO EN EL HOGAR

Black & Decker (EE.UU.) Inc. ofrece una garantía de dos años por cualquier defecto del material o de fabricación de este producto. El producto defectuoso se reparará o reemplazará sin costo alguno de una de las siguientes maneras:

La primera opción, el reemplazo, es devolver el producto al comercio donde se lo adquirió (siempre y cuando se trate de un comercio participante). Las devoluciones deben realizarse conforme a la política de devolución del comercio minorista (generalmente, entre 30 y 90 días posteriores a la venta). Tal vez se solicite la presentación del comprobante de compra. Consulte en el comercio minorista acerca de la política especial sobre devoluciones una vez excedido el plazo establecido.

La segunda opción es llevar o enviar el producto (con flete pago) a un Centro de mantenimiento propio o autorizado de Black & Decker para su reparación o reemplazo, según nuestro criterio. Tal vez se solicite la presentación del comprobante de compra. Encontrará una lista de los centros de mantenimiento autorizados y de propiedad de Black & Decker en "Herramientas eléctricas" (Tools-Electric) en las páginas amarillas de la guía telefónica.

Esta garantía no se extiende a los accesorios. Esta garantía le concede derechos legales específicos que pueden variar según el estado. Ante cualquier inquietud, comuníquese con el Centro de mantenimiento de Black & Decker más cercano.

Este producto no es para uso comercial.

Reemplazo gratuito de las etiquetas de advertencia: Si le faltan etiquetas de advertencia o están ilegibles, llame al **(55)5326-7100** para que se le reemplacen gratuitamente.

Para reparación y servicio de sus herramientas eléctricas, favor de dirigirse al Centro de Servicio más cercano:

CULIACAN, SIN Av. Nicolás Bravo #1063 Sur (667) 7 12 42 11 Col. Industrial Bravo	MONTERREY, N.L. Av. Francisco I. Madero No.831 (81) 8375 2313 Col. Centro	TORREON, COAH Blvd. Independencia, 96 Pte. (871) 716 5265 Col. Centro
GUADALAJARA, JAL Av. La Paz #1779 (33) 3825 6978 Col. Americana Sector Juarez	PUEBLA, PUE 17 Norte #205 (222) 246 3714 Col. Centro	VERACRUZ, VER Prolongación Díaz Mirón #4280 (229)921 7016 Col. Remes
MEXICO, D.F. Eje Central Lázaro Cardenas No. 18 (55) 5588 9377 Local D, Col. Obrera	QUERETARO, QRO Av. Madero 139 Pte. (442) 214 1660 Col. Centro	VILLAHERMOSA, TAB Constitución 516-A (993) 312 5111 Col. Centro
MERIDA, YUC Calle 63 #459-A (999) 928 5038 Col. Centro	SAN LUIS POTOSI, SLP Av. Universidad 1525 (444) 814 2383 Col. San Luis	

PARA OTRAS LOCALIDADES LLAME AL: (55) 5326 7100

Vea "Herramientas eléctricas (Tools-Electric)" – Páginas amarillas – para Servicio y ventas



BLACK & DECKER S.A. DE C.V.
BOSQUES DE CIDROS ACCESO RADI-
ATAS NO. 42
COL. BOSQUES DE LAS LOMAS.
05120 MÉXICO, D.F.
TEL. 55-5326-7100

ESPECIFICACIONES
Cargador:
INPUT: 120 V AC 60 HZ
11 W
OUTPUT: 13,5 V DC
240 mA

Free Manuals Download Website

<http://myh66.com>

<http://usermanuals.us>

<http://www.somanuals.com>

<http://www.4manuals.cc>

<http://www.manual-lib.com>

<http://www.404manual.com>

<http://www.luxmanual.com>

<http://aubethermostatmanual.com>

Golf course search by state

<http://golfingnear.com>

Email search by domain

<http://emailbydomain.com>

Auto manuals search

<http://auto.somanuals.com>

TV manuals search

<http://tv.somanuals.com>