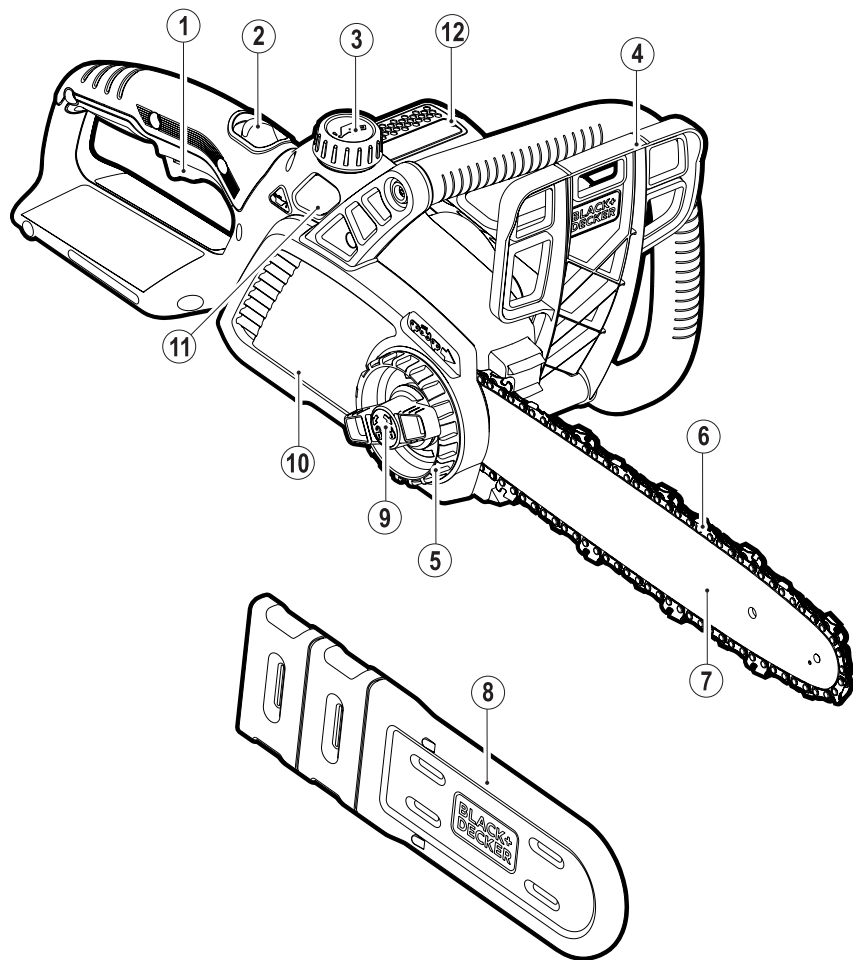
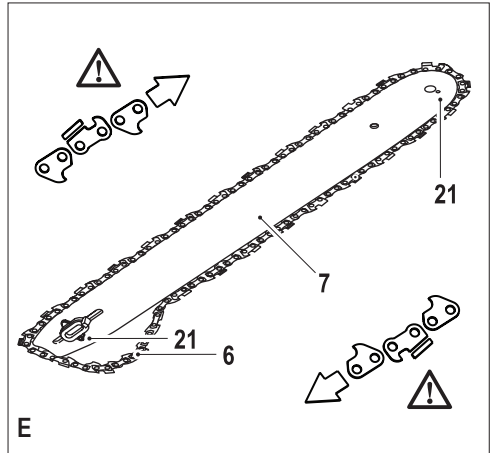
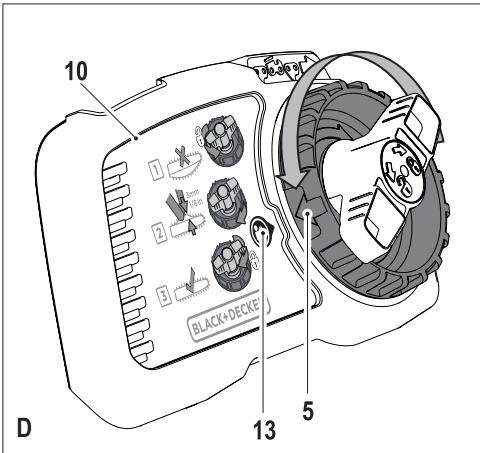
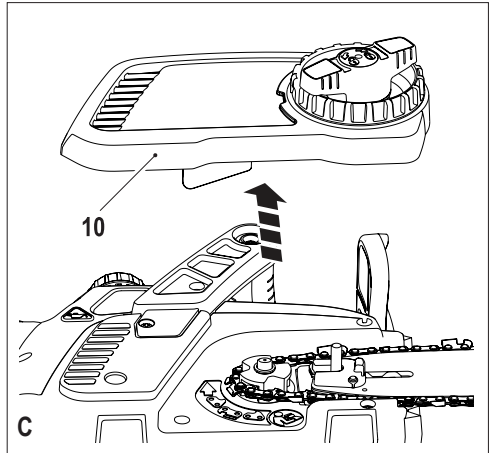
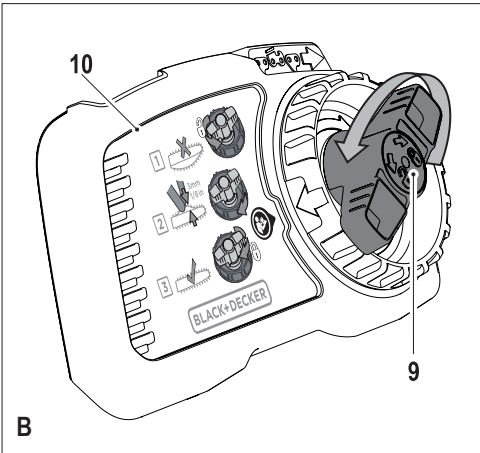
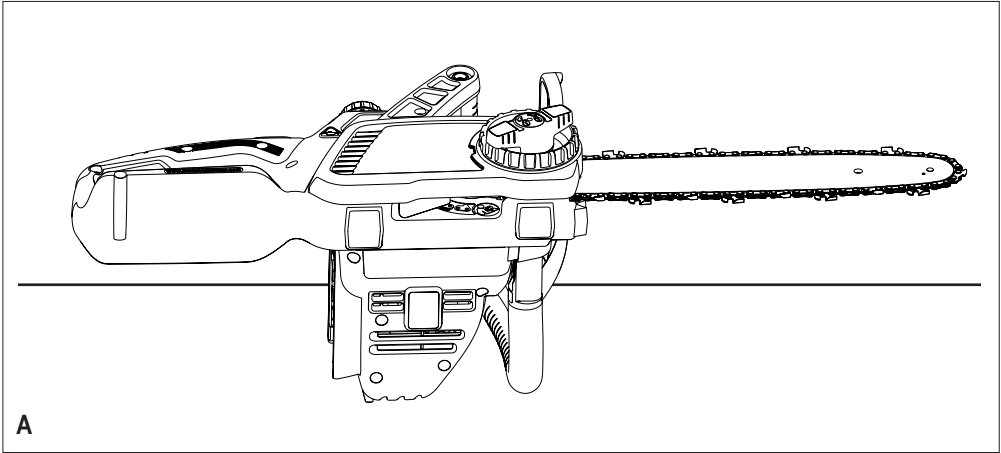


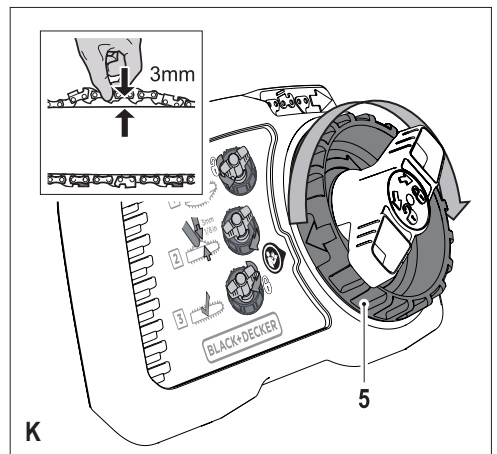
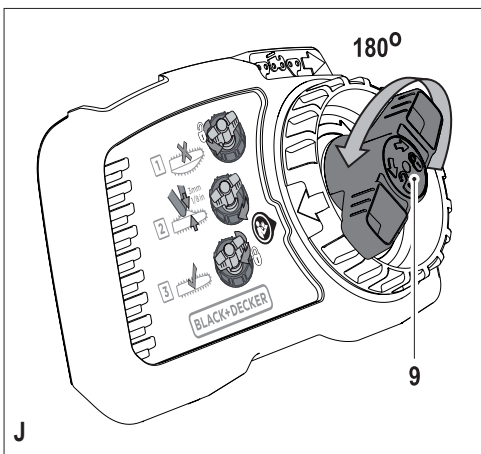
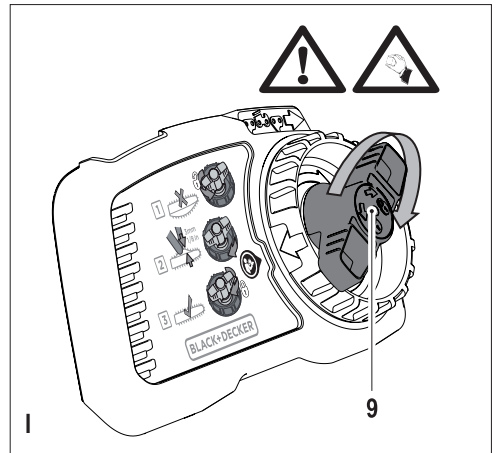
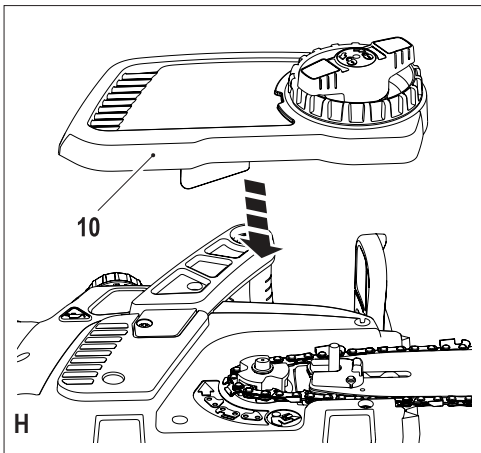
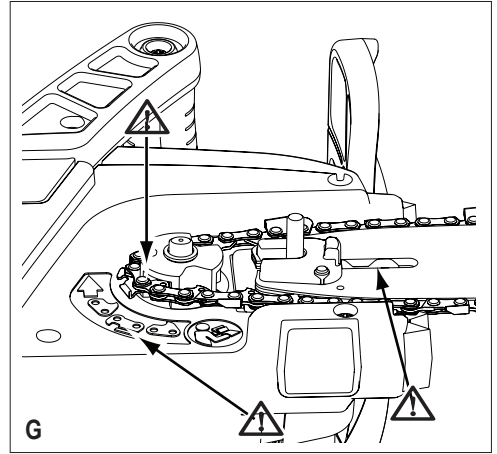
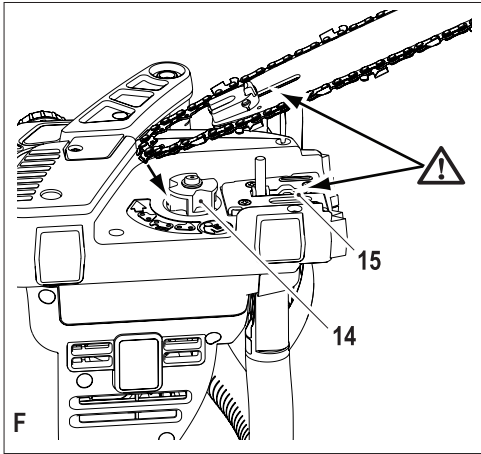
BLACK+ DECKER

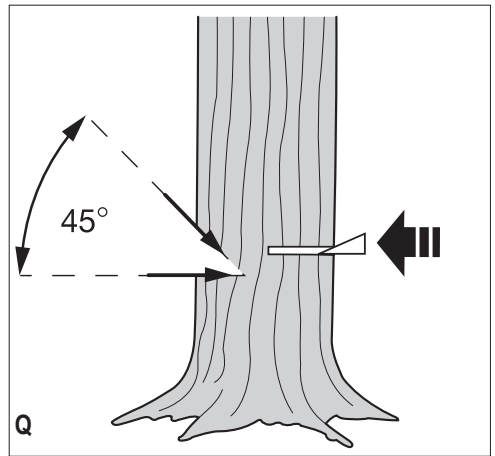
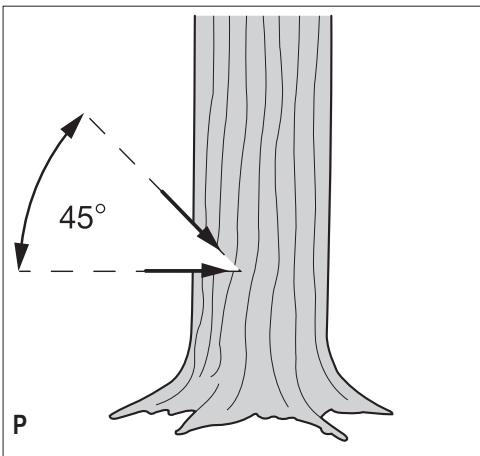
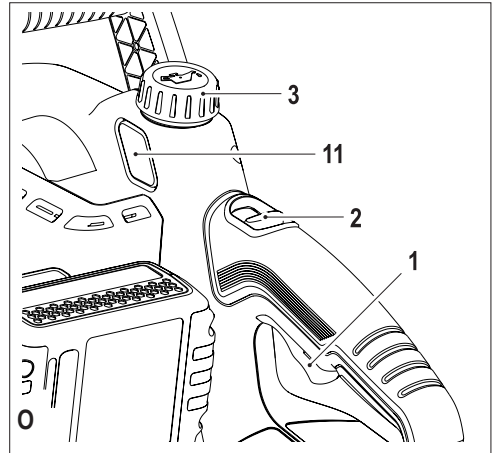
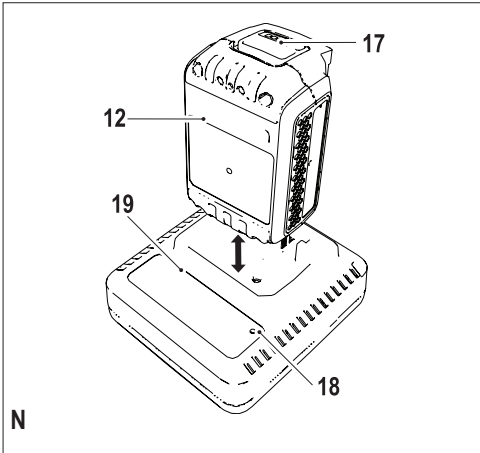
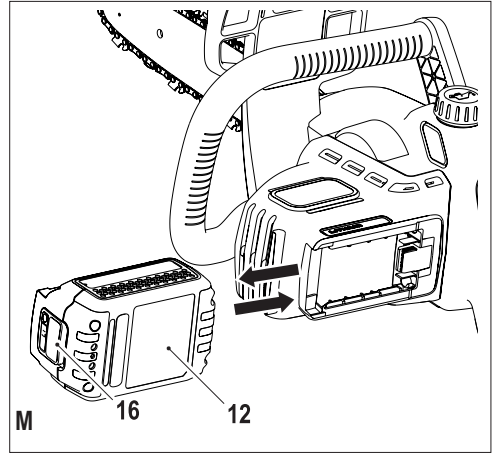
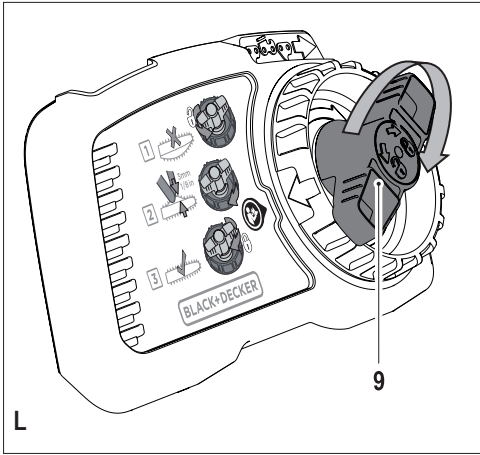
TM

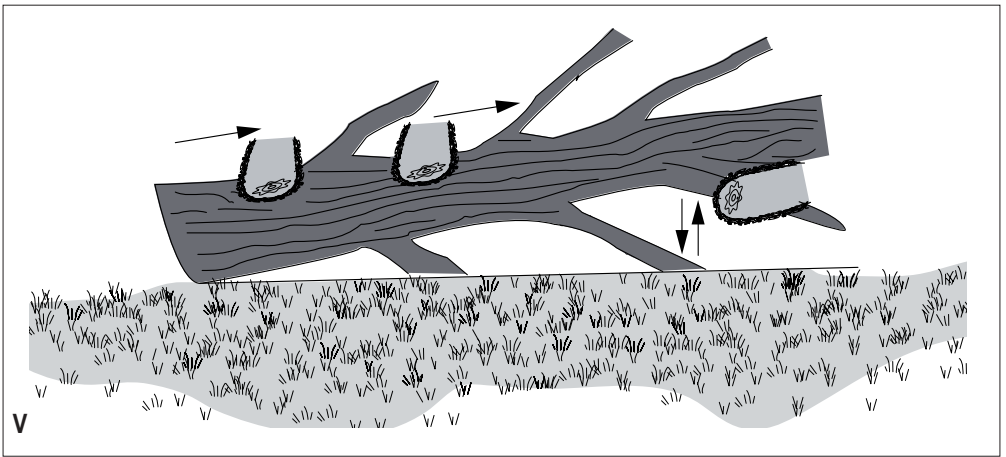
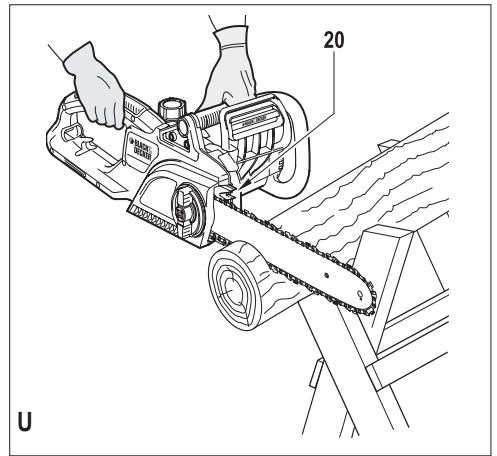
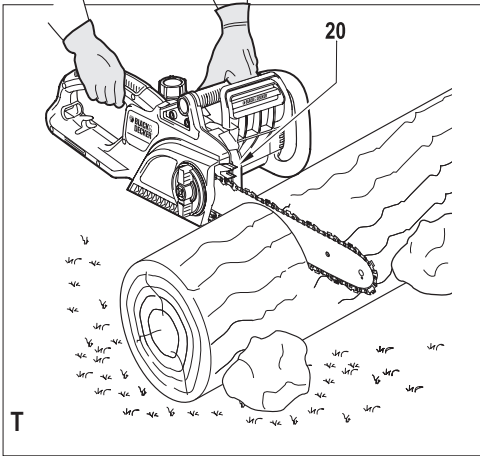
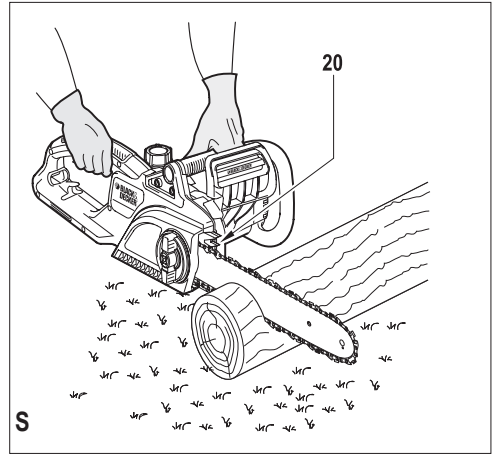
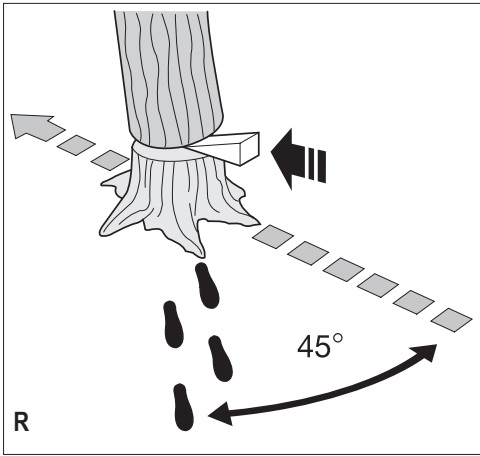
www.blackanddecker.co.uk

GKC3630L20









Intended use

Your BLACK+DECKER™ chainsaw has been designed for pruning and felling trees and cutting logs. This tool is intended for consumer use only.

Safety instructions

General power tool safety warnings



Warning! Read all safety warnings and all instructions. Failure to follow the warnings and instructions listed below may result in electric shock, fire and/or serious injury.

Save all warnings and instructions for future reference.

The term "power tool" in all of the warnings listed below refers to your mains operated (corded) power tool or battery operated (cordless) power tool.

1. **Work area safety**
 - a. **Keep work area clean and well lit.** Cluttered or dark areas invite accidents.
 - b. **Do not operate power tools in explosive atmospheres, such as in the presence of flammable liquids, gases or dust.** Power tools create sparks which may ignite the dust or fumes.
 - c. **Keep children and bystanders away while operating a power tool.** Distractions can cause you to lose control.
2. **Electrical safety**
 - a. **Power tool plugs must match the outlet. Never modify the plug in any way. Do not use any adapter plugs with earthed (grounded) power tools.** Unmodified plugs and matching outlets will reduce risk of electric shock.
 - b. **Avoid body contact with earthed or grounded surfaces such as pipes, radiators, ranges and refrigerators.** There is an increased risk of electric shock if your body is earthed or grounded.
 - c. **Do not expose power tools to rain or wet conditions.** Water entering a power tool will increase the risk of electric shock.
 - d. **Do not abuse the cord. Never use the cord for carrying, pulling or unplugging the power tool. Keep cord away from heat, oil, sharp edges or moving parts.** Damaged or entangled cords increase the risk of electric shock.
 - e. **When operating a power tool outdoors, use an extension cord suitable for outdoor use.** Use of a cord suitable for outdoor use reduces the risk of electric shock.
 - f. **If operating a power tool in a damp location is unavoidable, use a residual current device (RCD) protected supply.** Use of an RCD reduces the risk of electric shock.
3. **Personal safety**
 - a. **Stay alert, watch what you are doing and use common sense when operating a power tool. Do not use a power tool while you are tired or under the influence of drugs, alcohol or medication.** A moment of inattention while operating power tools may result in serious personal injury.
 - b. **Use personal protective equipment. Always wear eye protection.** Protective equipment such as dust mask, non-skid safety shoes, hard hat, or hearing protection used for appropriate conditions will reduce personal injuries.
 - c. **Prevent unintentional starting. Ensure the switch is in the off-position before connecting to power source and/or battery pack, picking up or carrying the tool.** Carrying power tools with your finger on the switch or energising power tools that have the switch on invites accidents.
 - d. **Remove any adjusting key or wrench before turning the power tool on.** A wrench or a key left attached to a rotating part of the power tool may result in personal injury.
 - e. **Do not overreach. Keep proper footing and balance at all times.** This enables better control of the power tool in unexpected situations.
 - f. **Dress properly. Do not wear loose clothing or jewellery. Keep your hair, clothing and gloves away from moving parts.** Loose clothes, jewellery or long hair can be caught in moving parts.
 - g. **If devices are provided for the connection of dust extraction and collection facilities, ensure these are connected and properly used.** Use of dust collection can reduce dust-related hazards.
4. **Power tool use and care**
 - a. **Do not force the power tool. Use the correct power tool for your application.** The correct power tool will do the job better and safer at the rate for which it was designed.
 - b. **Do not use the power tool if the switch does not turn it on and off.** Any power tool that cannot be controlled with the switch is dangerous and must be repaired.
 - c. **Disconnect the plug from the power source and/or the battery pack from the power tool before making any adjustments, changing accessories, or storing power tools.** Such preventive safety measures reduce the risk of starting the power tool accidentally.

- d. **Store idle power tools out of the reach of children and do not allow persons unfamiliar with the power tool or these instructions to operate the power tool.** Power tools are dangerous in the hands of untrained users.
- e. **Maintain power tools. Check for misalignment or binding of moving parts, breakage of parts and any other condition that may affect the power tools operation. If damaged, have the power tool repaired before use.** Many accidents are caused by poorly maintained power tools.
- f. **Keep cutting tools sharp and clean.** Properly maintained cutting tools with sharp cutting edges are less likely to bind and are easier to control.
- g. **Use the power tool, accessories and tool bits etc. in accordance with these instructions, taking into account the working conditions and the work to be performed.** Use of the power tool for operations different from those intended could result in a hazardous situation.
5. **Battery tool use and care**
- a. **Recharge only with the charger specified by the manufacturer.** A charger that is suitable for one type of battery pack may create a risk of fire when used with another battery pack.
- b. **Use power tools only with specifically designated battery packs.** Use of any other battery packs may create a risk of injury and fire.
- c. **When battery pack is not in use, keep it away from other metal objects, like paper clips, coins, keys, nails, screws, or other small metal objects, that can make a connection from one terminal to another.** Shorting the battery terminals together may cause burns or a fire.
- d. **Under abusive conditions, liquid may be ejected from the battery; avoid contact. If contact accidentally occurs, flush with water. If liquid contacts eyes, additionally seek medical help.** Liquid ejected from the battery may cause irritation or burns.
6. **Service**
- a. **Have your power tool serviced by a qualified repair person using only identical replacement parts.** This will ensure that the safety of the power tool is maintained.

Additional power tool safety warnings



Warning! Additional safety warnings for chainsaws

- ◆ **Keep all parts of the body away from the saw chain when the chainsaw is operating. Before you start the chainsaw, make sure the saw chain is not contacting anything.** A moment of inattention while operating chain saws may cause entanglement of your clothing or body with the chain saw.
- ◆ **Always hold the chainsaw with your right hand on the rear handle and your left hand on the front handle.** Holding the chainsaw with a reversed hand configuration increases the risk of personal injury and should never be done.
- ◆ **Hold the power tool by insulated gripping surfaces only, because the saw chain may contact hidden wiring.** Saw chains contacting a "live" wire may make exposed metal parts of the power tool "live" and could give the operator an electric shock.
- ◆ **Wear safety glasses and hearing protection. Further protective equipment for head, hands, legs and feet is recommended.** Adequate protective clothing will reduce personal injury by flying debris or accidental contact with the saw chain.
- ◆ **Do not operate a chainsaw in a tree.** Operation of a chainsaw while up in a tree may result in personal injury.
- ◆ **Always keep proper footing and operate the chain saw only when standing on fixed, secure and level surface.** Slippery or unstable surfaces such as ladders may cause a loss of balance or control of the chainsaw.
- ◆ **When cutting a limb that is under tension be alert for spring back.** When the tension in the wood fibres is released the spring loaded limb may strike the operator and/or throw the chain saw out of control.
- ◆ **Use extreme caution when cutting brush and saplings.** The slender material may catch the saw chain and be whipped toward you or pull you off balance.
- ◆ **Carry the chain saw by the front handle with the chain saw switched off and away from your body. When transporting or storing the chainsaw always fit the guide bar cover.** Proper handling of the chain saw will reduce the likelihood of accidental contact with the moving saw chain.
- ◆ **Follow instructions for lubricating, chain tensioning and changing accessories.** Improperly tensioned or lubricated chain may either break or increase the chance for kickback
- ◆ **Keep handles dry, clean, and free from oil and grease.** Greasy, oily handles are slippery causing loss of control.

- ◆ **Cut wood only. Do not use chainsaw for purposes not intended. For example: do not use the chainsaw for cutting plastic, masonry or non-wood building materials.** Use of the chainsaw for operations different than intended could result in a hazardous situation.

Causes and operator prevention of kickback

Kickback may occur when the nose or tip of the guide bar touches an object, or when the wood closes in and pinches the saw chain in the cut.

Tip contact in some cases may cause a sudden reverse reaction, kicking the guide bar up and back towards the operator. Pinching the saw chain along the top of the guide bar may push the guide bar rapidly back towards the operator.

Either of these reactions may cause you to lose control of the chainsaw which could result in serious personal injury. Do not rely exclusively upon the safety devices built into your chainsaw. As a chainsaw user, you should take several steps to keep your cutting jobs free from accident or injury.

Kickback is the result of tool misuse and / or incorrect operating procedures or conditions and can be avoided by taking proper precautions as given below:

- ◆ **Maintain a firm grip, with thumbs and fingers encircling the chainsaw handles. With both hands on the chainsaw, position your body and arm to allow you to resist kickback forces.** Kickback forces can be controlled by the operator, if proper precautions are taken. Do not let go of the chainsaw.
- ◆ **Do not overreach and do not cut above shoulder height.** This helps prevent unintended tip contact and enables better control of the chainsaw in unexpected situations.
- ◆ **Only use replacement guide bars and chains specified by the manufacturer.** Incorrect replacement guide bars and chains may cause chain breakage and/ or kickback.
- ◆ **Follow the manufacturer's sharpening and maintenance instructions for the saw chain.** Decreasing the depth gauge height can lead to increased kickback.
- ◆ Striking metal, cement or any other hard material near the wood, or buried in the wood can cause kickback.
- ◆ A dull or loose chain can cause kickback.
- ◆ Do not try to insert into a previous cut. As this could cause kickback. Make a fresh cut every time.

Safety recommendations for the chainsaw

- ◆ We strongly recommend that first time users obtain practical instruction in the use of the chainsaw and protective equipment from an experienced user. Initial practice should be completed sawing logs on a saw horse or cradle.

- ◆ We recommend that when carrying the chainsaw that you remove the battery and make sure that the saw chain is facing backwards.
- ◆ Maintain your chainsaw when not in use. Do not store your chainsaw for any length of time without first removing the saw chain and guide bar which should be kept immersed in oil. Store all parts of your chainsaw in a dry, secure place out of reach of children.
- ◆ We recommend you drain the oil reservoir prior to storage.
- ◆ Be sure of your footing and pre-plan a safe exit from a falling tree or branches.
- ◆ Use wedges to help control felling and prevent binding the guide bar and saw chain in the cut.
- ◆ Saw chain care. Keep the saw chain sharp and snug on the guide bar. Ensure the saw chain and guide bar are clean and well oiled. Keep handles dry, clean and free from oil and grease.

Avoid cutting

- ◆ Prepared timber.
- ◆ Into the ground.
- ◆ Into wire fences, nails, etc.

Additional safety instructions

- ◆ Ensure someone is nearby (but at a safe distance) in case of an accident.
- ◆ If for any reason you have to touch the saw chain, make sure your chainsaw is disconnected from the mains.
- ◆ The noise from this product can exceed 85 dB(A). We therefore recommend you take appropriate measures for the protection of hearing.
- ◆ **When handling the product the chain bar may become hot, handle with care.**

Safety of others

- ◆ This appliance is not intended for use by persons (including children) with reduced physical, sensory or mental capabilities, or lack of experience and knowledge, unless they have been given supervision or instruction concerning use of the appliance by a person responsible for their safety.
- ◆ Children should be supervised to ensure that they do not play with the appliance.

Residual risks.

Additional residual risks may arise when using the tool which may not be included in the enclosed safety warnings. These risks can arise from misuse, prolonged use etc.

Even with the application of the relevant safety regulations and the implementation of safety devices, certain residual risks can not be avoided. These include:

- ◆ Injuries caused by touching any rotating/moving parts.

- ◆ Injuries caused when changing any parts, blades or accessories.
- ◆ Injuries caused by prolonged use of a tool. When using any tool for prolonged periods ensure you take regular breaks.
- ◆ Impairment of hearing.
- ◆ Health hazards caused by breathing dust developed when using your tool (example:- working with wood, especially oak, beech and MDF.)

Vibration

The declared vibration emission values stated in the technical data and the declaration of conformity have been measured in accordance with a standard test method provided by EN 60745 and may be used for comparing one tool with another. The declared vibration emission value may also be used in a preliminary assessment of exposure.

Warning! The vibration emission value during actual use of the power tool can differ from the declared value depending on the ways in which the tool is used. The vibration level may increase above the level stated.

When assessing vibration exposure to determine safety measures required by 2002/44/EC to protect persons regularly using power tools in employment, an estimation of vibration exposure should consider, the actual conditions of use and the way the tool is used, including taking account of all parts of the operating cycle such as the times when the tool is switched off and when it is running idle in addition to the trigger time.

Labels on tool

The following pictograms are shown on the tool:



Warning! To reduce the risk of injury, the user must read the instruction manual.



Wear safety glasses or goggles when operating this tool.



Wear ear protection when operating this tool.



Do not expose the tool to rain or high humidity.



Directive 2000/14/EC guaranteed sound power.



Caution: Do not over tighten. Tighten by hand. Finger tight only.

Additional safety instructions for batteries and chargers

Batteries

- ◆ Never attempt to open for any reason.
- ◆ Do not expose the battery to water.
- ◆ Do not store in locations where the temperature may exceed 40 °C.
- ◆ Charge only at ambient temperatures between 10 °C and 40 °C.
- ◆ Charge only using the charger provided with the tool.
- ◆ When disposing of batteries, follow the instructions given in the section "Protecting the environment".



Do not attempt to charge damaged batteries.

Chargers

- ◆ Use your BLACK+DECKER charger only to charge the battery in the tool with which it was supplied. Other batteries could burst, causing personal injury and damage.
- ◆ Never attempt to charge non-rechargeable batteries.
- ◆ Have defective cords replaced immediately.
- ◆ Do not expose the charger to water.
- ◆ Do not open the charger.
- ◆ Do not probe the charger.



The charger is intended for indoor use only.



Read the instruction manual before use.

Electrical safety



Your charger is double insulated; therefore no earth wire is required. Always check that the mains voltage corresponds to the voltage on the rating plate. Never attempt to replace the charger unit with a regular mains plug.

- ◆ If the supply cord is damaged, it must be replaced by the manufacturer or an authorised Black & Decker Service Centre in order to avoid a hazard.

Features

1. On/off switch
2. Lock-off button
3. Oil cap
4. Front guard
5. Chain tension adjustment ring
6. Chain
7. Guide bar
8. Chain sheath
9. Chain adjust locking knob
10. Chain cover assembly
11. Oil level indicator
12. Battery

Assembly



Warning! Always wear protective gloves when working on your chainsaw.



Warning! Before performing any assembly or maintenance on power tools, switch off and remove the battery.



Warning! Remove the cable tie that attaches the chain to the chainbar before assembly.

Fitting the guide bar and chain. (fig. A - L)

- ◆ Place the chainsaw onto a stable surface (fig. A).
- ◆ Fully loosen the chain adjust locking knob (9) (fig. B).
- ◆ Remove the chain cover assembly (10) (fig. C).
- ◆ Turn the tension adjust ring (5) anti-clockwise as far as it will go so the arrow on the tension adjust ring (5) lines up with the marker on the chain cover assembly (13) (fig. D)
- ◆ Place the chain (6) over the guide bar (7) making sure that the saw chain cutters on the upper part of the guide bar (7) face towards the front (fig. E).
- ◆ Guide the chain (6) around the guide bar (7) and pull it to create a loop to one side at the rear end of the guide bar (7).
- ◆ Guide the chain (6) around the drive sprocket (14). Place the guide bar (7) onto the bar location studs (15) (fig. F & G).
- ◆ Place the chain cover assembly (10) onto the chainsaw (fig. H) making sure the arrows are aligned (fig. I).
- ◆ Turn the chain adjust locking knob (9) clockwise to attach the chain cover assembly (10) and lightly tighten (fig. I).
- ◆ Turn the chain adjust locking knob (9) 180 degrees anti-clockwise to release the tension (fig. J).
- ◆ Turn the chain tension adjust ring (5) clockwise until the chain (6) is tight. Make sure that the chain (6) is snug around the guide bar (7) (fig. K).

- ◆ Check the tension as described below. Do not overtighten.
- ◆ Tighten the chain adjust locking knob (9) (L).

Checking and adjusting the chain tension (fig. K)

Before use and after every 10 minutes of use, you must check the chain tension.

- ◆ Remove the battery (12).
- ◆ Lightly pull on the chain (6) as shown (inset fig. K). The tension is correct when the chain (6) snaps back after being pulled 3 mm away from the guide bar (7). There should be no "sag" between the guide bar (7) and the chain (6) on the underside.

Note: Do not over-tension the chain as this will lead to excessive wear and will reduce the life of the guide bar and the chain.

Note: When the chain is new, check the tension frequently (after disconnecting from the mains) during the first 2 hours of use because a new chain stretches slightly.

To increase the tension (fig. J, K & L)

- ◆ Turn the chain adjust locking knob (9) 180 degrees anti-clockwise to release the tension. (fig. J)
- ◆ Tension the chain using the chain tension adjusting ring (5), turn clockwise to tighten (fig. K).
- ◆ Tighten the chain adjust locking knob (9) (fig. L).

Fitting and removing the battery (fig. M)

- ◆ To fit the battery (12), line it up with the receptacle on the tool. Slide the battery into the receptacle and push until the battery snaps into place.
- ◆ To remove the battery, push the release buttons (16) while at the same time pulling the battery out of the receptacle.

Use

Warning! Let the tool work at its own pace. Do not overload.

Charging the battery (fig. N)

The battery needs to be charged before first use and whenever it fails to produce sufficient power on jobs that were easily done before. The battery may become warm while charging; this is normal and does not indicate a problem.

Warning! Do not charge the battery at ambient temperatures below 10 °C or above 40 °C. Recommended charging temperature: approx. 24 °C.

Note: The charger will not charge a battery if the cell temperature is below approximately 10 °C or above 40 °C. The battery should be left in the charger and the charger will begin to charge automatically when the cell temperature warms up or cools down.

- ◆ To charge the battery (12), insert it into the charger (19). The battery will only fit into the charger in one way. Do not force. Be sure that the battery is fully seated in the charger.
- ◆ Plug in the charger and switch on at the mains. The charging indicator (18) will blink. The charge is complete when the charging indicator (18) switches to continuously on. The charger and the battery can be left connected indefinitely. The charging indicator will switch on as the charger occasionally tops up the battery charge.
- ◆ Charge discharged batteries within 1 week. Battery life will be greatly diminished if stored in a discharged state.

Leaving the battery in the charger

The charger and battery pack can be left connected with the charging indicator glowing indefinitely. The charger will keep the battery pack fresh and fully charged.

Charger diagnostics

If the charger detects a weak or damaged battery, the charging indicator (18) will flash red at a fast rate. Proceed as follows:

- ◆ Re-insert the battery (12).
- ◆ If the charging indicators continues flashing red at a fast rate, use a different battery to determine if the charging process works properly.
- ◆ If the replaced battery charges correctly, the original battery is defective and should be returned to a service centre for recycling.
- ◆ If the new battery gives the same indication as the original battery, take the charger to be tested at an authorised services centre.

Note: It may take as long as 30 minutes to determine that the battery is defective. If the battery is too hot or too cold, the charging indicator will alternately blink red, fast and slow, one flash at each speed and repeat.

State of charge indicator (fig. N)

The battery is fitted with a state of charge indicator. This can be used to display the current level of charge in the battery during use and during charging.

- ◆ Press the state of charge indicator button (17).

Filling the oil reservoir (fig. O)

- ◆ Remove the oil cap (3) and fill the reservoir with the recommended chain oil. You can see the oil level in the oil level indicator (11). Refit the oil cap (3).
- ◆ Periodically switch off and check the oil level indicator (11); if it is less than a quarter full, remove the battery from the chainsaw and refill with the correct oil.

Oiling the chain

We recommend that you use only Black & Decker oil during the lifetime of your chainsaw because mixtures of different oils could lead to the oil becoming degraded, which can drastically shorten the lifetime of the saw chain and create additional risks.

Never use waste oil, thick oil or very thin sewing machine oil. These may damage your chainsaw. **Only use the correct grade of oil (cat. no. A6023-QZ).**

- ◆ The chain saw will automatically feed oil to the chain during use.

Switching on (fig. O)

- ◆ Grip your chainsaw firmly with both hands. Pull the lock-off button (2) with your thumb and then push the on/off switch (1) to start.
- ◆ When the motor starts, remove your thumb from the lock-off button (2) and grip the handle firmly.

Do not force the tool, allow the tool to do the work. It will do a better and safer job at the speed for which it is designed. Excessive force will stretch the saw chain (6).

If the saw chain (6) or guide bar (7) becomes jammed

- ◆ Switch the tool off.
- ◆ Remove the battery (12).
- ◆ Open the cut with wedges to relieve the strain on the guide bar (7). Do not try to wrench the chainsaw free.
- ◆ Start a fresh cut.

Felling (fig. P, Q & R)

Inexperienced users should not attempt to fell trees. The user may suffer injury or cause damage to property as a result of failure to control the direction of fall, the tree may splinter or damaged/dead branches may fall during cutting.

The safe distance between a tree to be felled and bystanders, buildings and other objects is at least 2 1/2 times the height of the tree. Any bystander, building or object within this distance is at risk from being struck by the tree when felled.

Before attempting to fell a tree:

- ◆ Make sure that there are no local by-laws or regulations that would prohibit or control the felling of the tree.
- ◆ Consider all conditions that may affect the direction of fall, including:
 - ◆ The intended direction of fall.
 - ◆ The natural lean of the tree.
 - ◆ Any unusual heavy limb structure or decay.
 - ◆ Surrounding trees and obstacles including overhead lines and underground drains.

- ◆ The wind speed and direction.

Pre-plan a safe exit from falling trees or branches. Make sure that the exit route is clear of obstacles that would prevent or hinder movement. Remember that wet grass and freshly cut bark is slippery.

- ◆ Do not attempt to fell trees where the tree diameter is greater than the cutting length of the chainsaw.
- ◆ Cut a direction notch to determine the direction of fall.
- ◆ Make a horizontal cut to a depth of between 1/5th and 1/3rd of the diameter of the tree, perpendicular to the line of fall at the base of the tree (fig. P).
- ◆ Make a second cut from above to intersect with the first and make a notch of about 45°.
- ◆ Make a single horizontal felling cut from the other side 25 mm to 50 mm above the centre of the direction notch. (fig. Q). Do not cut through to the direction notch, you could lose control of the direction of fall.
- ◆ Drive a wedge or wedges into the felling cut to open it and drop the tree (fig. R).

Pruning trees

Make sure that there are no local by-laws or regulations that would prohibit or control the pruning of the tree limbs. Pruning should only be undertaken by experienced users there is an increased risk of the saw chain pinching and kick back.

Before pruning consideration should be given to conditions affecting the direction of fall including:

- ◆ The length and weight of the branch to be cut.
- ◆ Any unusual heavy limb structure or decay.
- ◆ Surrounding trees and obstacles including overhead.
- ◆ The wind speed and direction.
- ◆ The branch being intertwined with other branches.

The operator should consider access to the tree limb and the direction of fall. The tree branch is liable to swing towards the tree trunk. In addition to the user bystanders, objects and property below the branch will be at risk.

- ◆ To avoid splintering, make the first cut in an upward direction to a maximum depth of one third the diameter of the branch.
- ◆ Make the second cut downwards to meet the first.

Logging (fig. S, T & U)

How you should cut depends on how the log is supported. Use a saw horse whenever possible. Always start a cut with the saw chain running and the spiked bumper (19) in contact with the wood (fig. S). To complete the cut use a pivoting action of the spiked bumper against the wood.

When supported along its whole length:

- ◆ Make a downward cut, but avoid cutting the earth as this will blunt your saw chain quickly.

When supported at both ends:

- ◆ First, cut one third down to avoid splintering and second, cut up to meet the first cut.

When supported at one end:

- ◆ First cut one third up to avoid splintering and second, cut down to prevent splintering.

When on a slope:

- ◆ Always stand on the uphill side.

When attempting to cut a log on the ground (fig. T):

- ◆ Secure the workpiece using chocks or wedges. The user or a bystander should not steady the log by sitting or standing on it. Make sure that the saw chain does not contact the ground.

When using a saw horse (fig. U):

This is strongly recommended whenever possible.

- ◆ Position the log in a stable position. Always cut on the outside of the saw horse arms. Use clamps or straps to secure the workpiece.

Limbing (fig. V)

Removing the branches from a fallen tree. When limbing, leave larger lower limbs to support the log off the ground. Remove the small limbs in one cut. Branches under tension should be cut from the bottom of the branch towards the top to avoid binding the chain saw.

Trim limbs from opposite side keeping tree stem between you and saw. Never make cuts with saw between your legs or straddle the limb to be cut.

Troubleshooting

Problem	Possible cause	Possible solution
Tool will not start	Lock button not pressed.	Press the lock button.
	Battery not fitted	Fit the battery
	Battery not charged	Charge the battery
Chain does not stop within 2 seconds when the tool is switched off	Battery not fitted correctly	Remove then re-fit the battery
	Chain tension is too slack	Check chain tension

Problem	Possible cause	Possible solution
Bar/chain appear hot/ smoking	Oil tank empty	Check oil tank level
	Oil hole blocked on chain bar	Clean oil holes (21 - fig. E) and clear the groove around the edge of the chainbar.
	Chain tension is too tight	Check chain tension
	Guide bar sprocket nose needs greasing	Oil the guide bar sprocket nose
Chainsaw does not cut well	Chain on backwards	Check/modify chain direction
		Sharpen
Chainsaw not using oil	Debris in tank	Empty oil from tank and replace
	Oil hole in cap blocked	Remove debris from hole
	Debris in chain bar	Remove debris and clean the chain bar
	Debris in oil outlet	Remove debris
Chainsaw stops suddenly during use	Battery depleted	Check the charge on the battery by pressing the state of charge indicator. Re-charge battery if required.
	Battery too hot	Leave the battery to cool for atleast 30 minutes before proceeding or charging.
	Current limit protection	Restart the chainsaw. Let the tool work at its own pace. Do not overload .

Saw chain and guide bar

- ◆ After every few hours of use and before storage, remove the guide bar (7) and the saw chain (6) and clean them thoroughly.
- ◆ Make sure that the guard is clean and free from debris.
- ◆ Oil sprocket nose and chain bar via the sprocket lubrication holes (21) (fig. E). This ensures an even distribution of wear around the guide bar rails.

Saw chain sharpening

If you are to get the best possible performance from the tool it is important to keep the teeth of the saw chain sharp.

Guidance for this procedure is found on the sharpener package.

Replacing worn out saw chains

Replacement saw chains are available through retailers or Black & Decker service agents. Always use genuine spare parts.

Saw chain sharpness

The saw chain cutters will blunt immediately if they touch the ground or a nail while cutting.

Saw chain tension

Regularly check the saw chain tension.

What to do if your chainsaw needs repair.

Your chainsaw is manufactured in accordance with the relevant safety requirements. Repairs should only be carried out by a qualified person using original spare parts otherwise this may result in considerable danger to the user. We recommend you keep this user manual in a safe place.

Protecting the environment



Separate collection. This product must not be disposed of with normal household waste.

Should you find one day that your Black & Decker product needs replacement, or if it is of no further use to you, do not dispose of it with household waste. Make this product available for separate collection.



Separate collection of used products and packaging allows materials to be recycled and used again. Re-use of recycled materials helps prevent environmental pollution and reduces the demand for raw materials.

Local regulations may provide for separate collection of electrical products from the household, at municipal waste sites or by the retailer when you purchase a new product.

Maintenance

Regular maintenance ensures a long effective life for the tool. We recommend you make the following checks on a regular basis.

Warning! Before performing any maintenance on power tools:

- ◆ Switch off and disconnect the tool from the mains supply.

Oil level

The level in the reservoir should not be allowed to fall below a quarter full.

Black & Decker provides a facility for the collection and recycling of Black & Decker products once they have reached the end of their working life. To take advantage of this service please return your product to any authorised repair agent who will collect them on our behalf.

You can check the location of your nearest authorised repair agent by contacting your local Black & Decker office at the address indicated in this manual. Alternatively, a list of authorised Black & Decker repair agents and full details of our after-sales service and contacts are available on the Internet at: www.2helpU.com

Technical data

GKC3630L20 (H1)		
Voltage	V _{dc}	36
Bar length	mm	300
Max bar length	mm	300
Chain speed (No-load)	m/s	5
Max cutting length	mm	300
Oil capacity	ml	115
Weight	kg	3.8
Battery BL2036		
Voltage	V _{DC}	36
Capacity	Ah	2.0
Type		Li-Ion
Charger 905673** (typ. 1)		
Input Voltage	V _{AC}	230
Output Voltage	V _{DC}	36
Current	mA	1300
Approx. charge time	min	90

Level of sound pressure according to EN 60745:

L_{DA} (sound pressure) 72.8 dB(A), Uncertainty (K) 1.2 dB(A)

L_{WA} (sound power) 92.8 dB(A), Uncertainty (K) 1.2 dB(A)

Vibration total values (triax vector sum) according to EN 60745:

Vibration emission value (a_v) 5.5 m/s², uncertainty (K) 1.5 m/s²

EC declaration of conformity

MACHINERY DIRECTIVE

OUTDOOR NOISE DIRECTIVE



GKC3630L20

Black & Decker declares that these products described under

"technical data" are in compliance with:

2006/42/EC, EN 60745-1, EN 60745-2-13

2006/42/EC, Chain Saw, Annex IV

DEKRA Certification B.V., Utrechtseweg 310,

6802 ED Arnhem, The Netherlands

Notified Body ID No.: 0344

Level of acoustic power according to

2000/14/EC (Article 13, Annex III):

L_{WA} (measure sound power) 9.28 dB(A)

Uncertainty (K) 1.2 dB(A)

L_{WA} (guaranteed sound power) 94 dB(A)

These products also comply with directive 2014/30/EU & 2011/65/EU. For more information, please contact Black & Decker at the following address or refer to the back of the

manual.

The undersigned is responsible for compilation of the technical file and makes this declaration on behalf of Black &

Decker.

R. Laverick

Engineering Manager

Black & Decker Europe, 210 Bath Road, Slough,

Berkshire, SL1 3YD

United Kingdom

30/06/2014

Guarantee

Black & Decker is confident of the quality of its products and offers an outstanding guarantee. This guarantee statement is in addition to and in no way prejudices your statutory rights. The guarantee is valid within the territories of the Member States of the European Union and the European Free Trade Area.

If a Black & Decker product becomes defective due to faulty materials, workmanship or lack of conformity, within 24 months from the date of purchase, Black & Decker guarantees to replace defective parts, repair products subjected to fair wear and tear or replace such products to ensure minimum inconvenience to the customer unless:

- ◆ The product has been used for trade, professional or hire purposes;
- ◆ The product has been subjected to misuse or neglect;
- ◆ The product has sustained damage through foreign objects, substances or accidents;
- ◆ Repairs have been attempted by persons other than authorised repair agents or Black & Decker service staff.

To claim on the guarantee, you will need to submit proof of purchase to the seller or an authorised repair agent. You can check the location of your nearest authorised repair agent by contacting your local Black & Decker office at the address indicated in this manual. Alternatively, a list of authorised Black & Decker repair agents and full details of our after-sales service and contacts are available on the Internet at: www.2helpU.com

Please visit our website www.blackanddecker.co.uk to register your new Black & Decker product and to be kept up to date on new products and special offers. Further information on the Black & Decker brand and our range of products is available at www.blackanddecker.co.uk

Australia	Black & Decker (Australia) Pty. Ltd. 20 Fletcher Road, Mooroolbark, Victoria, 3138	Tel. Fax	03-8720 5100 03-9727 5940
New Zealand	Black & Decker 5 Te Apunga Place Mt Wellington Auckland 1060	Tel. Fax	+64 9 259 1133 +64 9 259 1122
United Kingdom & Republic Of Ireland www.blackanddecker.co.uk emeaservice@sbdinc.com	Black & Decker 210 Bath Road Slough, Berkshire SL1 3YD	Tel. Fax	01753 511234 01753 512365

Free Manuals Download Website

<http://myh66.com>

<http://usermanuals.us>

<http://www.somanuals.com>

<http://www.4manuals.cc>

<http://www.manual-lib.com>

<http://www.404manual.com>

<http://www.luxmanual.com>

<http://aubethermostatmanual.com>

Golf course search by state

<http://golfingnear.com>

Email search by domain

<http://emailbydomain.com>

Auto manuals search

<http://auto.somanuals.com>

TV manuals search

<http://tv.somanuals.com>