

# BLACK+ DECKER™

## 20V MAX\* TRIMMER/EDGER

### INSTRUCTION MANUAL

CATALOG NUMBER

**LST220**

#### KEY INFORMATION YOU SHOULD KNOW:

- The guard must be installed before trimming or edging - if not, the motor will overheat.
- When replacing the line, use only .065 inch diameter ROUND line (B+D Model #AF-100 is recommended) - otherwise the trimmer will not function properly.
- Do not bump the feed head against the ground - it will disrupt the automatic feed mechanism.

**Thank you for choosing BLACK+DECKER!**

#### PLEASE READ BEFORE RETURNING THIS PRODUCT FOR ANY REASON.

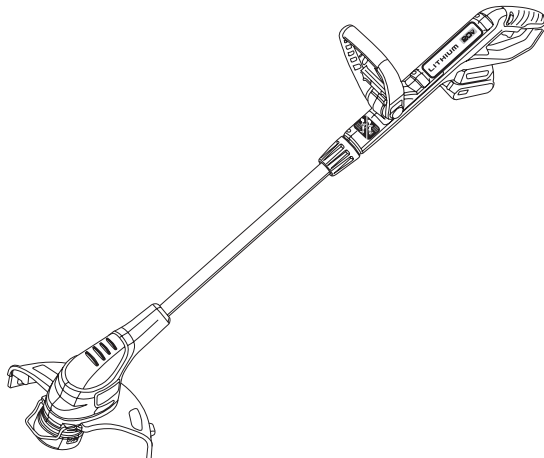
If you have a question or experience a problem with your BLACK+DECKER purchase, go to <http://www.blackanddecker.com/instantanswers>  
If you can't find the answer or do not have access to the Internet, call 1-800-544-6986 from 8 a.m. to 5 p.m. EST Mon. - Fri. to speak with an agent.  
Please have the catalog number available when you call.

#### SAVE THIS MANUAL FOR FUTURE REFERENCE.

VEA EL ESPAÑOL EN LA CONTRAPORTADA. INSTRUCTIVO DE OPERACIÓN, CENTROS DE SERVICIO Y PÓLIZA DE GARANTÍA.

ADVERTENCIA: LÉASE ESTE INSTRUCTIVO ANTES DE USAR EL PRODUCTO.

\*Maximum initial battery pack voltage (measured without a workload) is 20 volts. Measured under a workload, nominal voltage is 18.



**To register your new product, call 1-800-544-6986 or visit [www.BlackandDecker.com/NewOwner](http://www.BlackandDecker.com/NewOwner)**

## SAFETY GUIDELINES - DEFINITIONS

It is important for you to read and understand this manual. The information it contains relates to protecting YOUR SAFETY and PREVENTING PROBLEMS. The symbols below are used to help you recognize this information.

**⚠DANGER:** Indicates an imminently hazardous situation which, if not avoided, will result in death or serious injury.

**⚠WARNING:** Indicates a potentially hazardous situation which, if not avoided, could result in death or serious injury.

**⚠CAUTION:** Indicates a potentially hazardous situation which, if not avoided, may result in minor or moderate injury.

**NOTICE:** Used without the safety alert symbol indicates a potentially hazardous situation which, if not avoided, may result in property damage.

**⚠WARNING:** When using electric gardening appliances, basic safety precautions should always be followed to reduce risk of fire, electric shock, and personal injury, including the following.

## IMPORTANT SAFETY WARNINGS AND INSTRUCTIONS

### TO REDUCE RISK OF INJURY:

- Before any use, be sure everyone using this appliance reads and understands all safety instructions and other information contained in this manual.
- Save these instructions and review frequently prior to use and in instructing others.

**⚠CAUTION:** Failure to comply with the recommendations outlined in the key information section will void warranty.

**⚠WARNING: Some dust created by this product contains chemicals known to the State of California to cause cancer, birth defects or other reproductive harm. Some examples of these chemicals are:**

- compounds in fertilizers
- compounds in insecticides, herbicides and pesticides
- arsenic and chromium from chemically treated lumber

To reduce your exposure to these chemicals, wear approved safety equipment such as dust masks that are specially designed to filter out microscopic particles.

**⚠WARNING: ALWAYS use safety glasses.** *Everyday eyeglasses are NOT safety glasses. Also use face or dust mask if trimming operation is dusty. ALWAYS WEAR CERTIFIED SAFETY EQUIPMENT:*

- ANSI Z87.1 eye protection (CAN/CPA Z94.3),
- NOSH/OSHA respiratory protection.

**⚠WARNING: Always wear proper personal hearing protection that conforms to ANSI S12.6 (S3.19) during use.** Under some conditions and duration of use, noise from this product may contribute to hearing loss.

## READ ALL INSTRUCTIONS

**⚠WARNING:**

- **ALWAYS WEAR EYE PROTECTION** – Wear safety glasses or goggles at all times when battery pack is installed.
- **GUARD** – Do not use this trimmer without guard attached.
- **DRESS PROPERLY** – Do not wear loose clothing or jewelry. They can be caught in moving parts. Rubber gloves and substantial rubber soled footwear are recommended when working outdoors. Don't operate the trimmer when barefoot or wearing open sandals. Wear **heavy long pants** to protect your legs. Wear protective hair covering to contain long hair.
- **NYLON LINE** – Keep all body parts, including face, hands and feet clear of rotating nylon line at all times.
- **THE ROTATING LINE PERFORMS A CUTTING FUNCTION** – Use care when trimming around screens and desirable plants.
- **KEEP ALL BYSTANDERS AWAY** – at a safe distance from work area, especially children.
- **IMPORTANT WARNING** – When being used as an Edger, stones, pieces of metal and other objects can be thrown out at high speed by the line. The trimmer and guard are designed to reduce the danger. However, the following special precautions should be taken: **MAKE SURE** that other persons and pets are at least 100 feet (30m) away.
- **TO REDUCE THE RISK** of rebound (ricochet) injury, work going

away from any nearby solid object such as wall, steps, large stone, tree, etc. Use great care when working close to solid objects and where necessary, do edging or trimming by hand.

- **AVOID ACCIDENTALLY STARTING** – Don't carry plugged-in trimmer with finger on trigger.
- **DO NOT FORCE THE APPLIANCE** – at a rate faster than the rate at which it is able to cut effectively.
- **USE THE RIGHT APPLIANCE** – Do not use this appliance for any job except that for which it is intended.
- **DON'T OVERREACH** – Keep proper footing and balance at all times.
- **DAMAGE TO UNIT** – If you strike or become entangled with a foreign object, stop appliance immediately, remove battery, check for damage and have any damage repaired before further operation is attempted. Do not operate with a broken hub or spool.
- **REMOVE BATTERY** – when not in use, when replacing line, or prior to cleaning.
- **AVOID DANGEROUS ENVIRONMENTAL CONDITIONS** – Do not use electric appliances in damp or wet locations. Follow all instructions in this Instruction Manual for proper operation of your trimmer. Don't use the trimmer in the rain.
- **DO NOT OPERATE** portable electric trimmers in gaseous or explosive atmospheres. Motors in these trimmers normally spark, and the sparks might ignite fumes.
- **STORE IDLE TrimmerS INDOORS** – When not in use, trimmers should be stored indoors in a dry, locked-up place out of reach of children.
- **STAY ALERT** – Do not operate this unit when you are tired, ill, or under the influence of alcohol, drugs, or medication.
- **REPLACEMENT PARTS** – When servicing use only identical replacement parts.
- **MAINTAIN TRIMMERS WITH CARE** – Follow instructions in maintenance section. Keep handles dry, clean and free from oil and grease.
- **CHECK DAMAGED PARTS** – Before further use of the trimmer, a guard or other part that is damaged should be carefully checked to determine that it will operate properly and perform its intended

function. Check for alignment of moving parts, binding of moving parts, breakage of parts, mounting, and any other condition that may affect its operation. A guard or other part that is damaged should be properly repaired or replaced by an authorized service center unless otherwise indicated elsewhere in this manual.

- DO NOT immerse trimmer in water or squirt it with a hose. DO NOT allow any liquid to get inside it.
- DO NOT store the trimmer on or adjacent to fertilizers or chemicals.
- DO NOT clean with a pressure washer.
- Keep guards in place and in working order.
- Keep hands and feet away from cutting area.

**⚠ WARNING:** Do not use trimmer if the switch trigger does not turn the trimmer on or off. Any trimmer that can not be controlled with the switch trigger is dangerous and must be repaired.

## SAVE THESE INSTRUCTIONS

### SYMBOLS

*The label on your trimmer may include the following symbols. The symbols and their definitions are as follows:*

V.....volts	A..... amperes
Hz.....hertz	W..... watts
min .....minutes	~ or Ac... alternating current
--- or DC...direct current	n <sub>o</sub> ..... no load speed
⚠ ..... Class I Construction (grounded)	⊕ ..... earthing terminal
▢ ..... Class II Construction (double insulated)	...../min or rpm...revolutions or reciprocation per minute
📖 ..... Read instruction manual before use	
👤 ..... Use proper respiratory protection	
👁 ..... Use proper eye protection	
👂 ..... Use proper hearing protection	

## ⚠ IMPORTANT SAFETY INSTRUCTIONS FOR BATTERY CHARGERS

**SAVE THESE INSTRUCTIONS:** This manual contains important safety instructions for battery chargers.

**⚠ WARNING:** Before using charger, read all instructions and cautionary markings on charger, battery pack, and product using battery pack.

**⚠ WARNING:** **Shock hazard.** Do not allow any liquid to get inside charger.

**⚠ WARNING:** **Burn hazard.** To reduce the risk of injury, charge only designated **Black+Decker** batteries. Other types of batteries may burst causing personal injury and damage.

**⚠ CAUTION:** Under certain conditions, with the charger plugged in to the power supply, the charger can be shorted by foreign material. Foreign materials of a conductive nature such as, but not limited to, steel wool, aluminum foil, or any buildup of metallic particles should be kept away from charger cavities. Always unplug the charger from the power supply when there is no battery pack in the cavity. Unplug charger before attempting to clean.

### ⚠ WARNING:

- **DO NOT attempt to charge the battery pack with any chargers other than the ones in this manual.** *The charger and battery pack are specifically designed to work together.*
- **These chargers are not intended for any uses other than charging designated **Black+Decker** rechargeable batteries.** *Any other uses may result in risk of fire, electric shock or electrocution.*
- **Do not expose charger to rain or snow.**
- **Pull by plug rather than cord when disconnecting charger.** *This will reduce risk of damage to electric plug and cord.*
- **Make sure that cord is located so that it will not be stepped on, tripped over, or otherwise subjected to damage or stress.**
- **Do not use an extension cord unless it is absolutely necessary.** *Use of improper extension cord could result in risk of fire, electric shock, or electrocution.*
- **An extension cord must have adequate wire size (AWG**

or American Wire Gauge) for safety. *The smaller the gauge number of the wire, the greater the capacity of the cable, that is 16 gauge has more capacity than 18 gauge. When using more than one extension to make up the total length, be sure each individual extension contains at least the minimum wire size.*

Volts	Minimum Gauge for Cord Sets					
	Total Length of Cord in Feet					
120V	0-25	26-50	51-100	101-150		
240V	0-50	51-100	101-200	201-300		
Ampere Rating						
More Than		Not more Than		American Wire Gauge		
0	-	6	18	16	16	14
6	-	10	18	16	14	12
10	-	12	16	16	14	12
12	-	16	14	12	Not Recommended	

- **Do not place any object on top of charger or place the charger on a soft surface that might block the ventilation slots and result in excessive internal heat. Place the charger in a position away from any heat source.** *The charger is ventilated through slots in the top and the bottom of the housing.*
- **Do not mount charger on wall or permanently affix charger to any surface.** *The charger is intended to use on a flat, stable surface (i.e., table top, bench top).*
- **Do not operate charger with damaged cord or plug — have them replaced immediately.**
- **Do not operate charger if it has received a sharp blow, been dropped, or otherwise damaged in any way.** *Take it to an authorized service center.*
- **Do not disassemble charger;** *take it to an authorized service center when service or repair is required. Incorrect reassembly may result in a risk of electric shock, electrocution or fire.*
- **Disconnect the charger from the outlet before attempting any cleaning.** *This will reduce the risk of electric shock. Removing the battery pack will not reduce this risk.*
- **NEVER attempt to connect 2 chargers together.**

- The charger is designed to operate on standard household electrical power (120 Volts). Do not attempt to use it on any other voltage.

## SAVE THESE INSTRUCTIONS

### ⚠ **IMPORTANT SAFETY INSTRUCTIONS FOR BATTERY PACKS**

⚠ **WARNING:** For safe operation, read this manual and manuals originally supplied with tool before using the charger.

The battery pack is not fully charged out of the carton. Before using the battery pack and charger, read the safety instructions below. Then follow charging procedures outlined.

### READ ALL INSTRUCTIONS

- Do not incinerate the battery pack even if it is severely damaged or is completely worn out. The battery pack can explode in a fire. Toxic fumes and materials are created when battery packs are burned.
- Do not charge or use battery in explosive atmospheres, such as in the presence of flammable liquids, gases or dust. Inserting or removing the battery from the charger may ignite the dust or fumes.
- If battery contents come into contact with the skin, immediately wash area with mild soap and water. If battery liquid gets into the eye, rinse water over the open eye for 15 minutes or until irritation ceases. If medical attention is needed, the battery electrolyte for Li-ion batteries is composed of a mixture of liquid organic carbonates and lithium salts.
- Contents of opened battery cells may cause respiratory irritation. Provide fresh air. If symptoms persist, seek medical attention.

⚠ **WARNING: Burn hazard.** Battery liquid may be flammable if exposed to spark or flame.

- Charge the battery packs only in **BLACK+DECKER** chargers.
- **DO NOT splash or immerse in water or other liquids.** This may cause premature cell failure.
- Do not store or use the tool and battery pack in locations where the temperature may reach or exceed 105°F (40°C) (such as

outside sheds or metal buildings in summer).

⚠ **WARNING:** Never attempt to open the battery pack for any reason. If battery pack case is cracked or damaged, do not insert into charger. Do not crush, drop or damage battery pack. Do not use a battery pack or charger that has received a sharp blow, been dropped, run over or damaged in any way (i.e., pierced with a nail, hit with a hammer, stepped on). Damaged battery packs should be returned to service center for recycling.

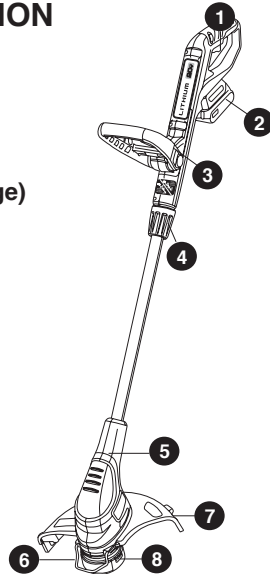
⚠ **WARNING: Fire hazard. Do not store or carry battery so that metal objects can contact exposed battery terminals.** For example, do not place battery in aprons, pockets, tool boxes, product kit boxes, drawers, etc., with loose nails, screws, keys, etc. Transporting batteries can possibly cause fires if the battery terminals inadvertently come in contact with conductive materials such as keys, coins, hand tools and the like. The US Department of Transportation Hazardous Material Regulations (HMR) actually prohibit transporting batteries in commerce or on airplanes (i.e., packed in suitcases and carry-on luggage) UNLESS they are properly protected from short circuits. So when transporting individual batteries, make sure that the battery terminals are protected and well insulated from materials that could contact them and cause a short circuit. **NOTE: LI-ION batteries should not be put in checked baggage.**

### STORAGE RECOMMENDATIONS

1. The best storage place is one that is cool and dry away from direct sunlight and excess heat or cold.
2. Long-term storage will not harm the battery pack or charger as long as the battery is not depleted.

## FUNCTIONAL DESCRIPTION

1. Switch
2. Battery
3. Auxillary Handle
4. Collar (to adjust height and edge)
5. Motor Housing
6. Edge Guide
7. Guard
8. Spool



This product can accept any of the batteries and chargers listed in the chart below.

### LI-ION Battery Packs and Chargers

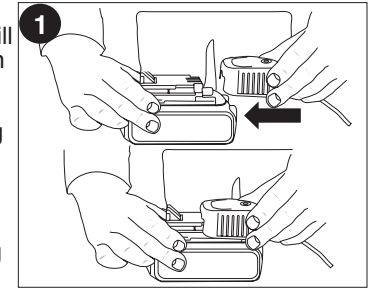
Description	Cat. #
Batteries: LI-ION	LBX20 LBXR20 LBXR2020 LB2X4020
Chargers: LI-ION	LCS1620 L2AFCBST L2AFC

## CHARGING PROCEDURE

The standard charger provided will charge a fully depeleted battery in about 4 hours.

1. Plug the charger into an appropriate outlet before inserting the battery pack.
2. Insert the battery pack into the charger as shown in **figure 1**.
3. The green LED will flash indicating that the battery is being charged.
4. The completion of charge is indicated by the green LED remaining on continuously. The pack is fully charged and may be used at this time or left on the charger.

**Recharge discharged batteries as soon as possible after use or battery life may be greatly diminished.**



## LEAVING THE BATTERY IN THE CHARGER

The charger and battery pack can be left connected with the green LED glowing indefinitely. The charger will keep the battery pack fresh and fully charged.

## IMPORTANT CHARGING NOTES

1. Longest life and best performance can be obtained if the battery pack is charged when the air temperature is between 60°F and 80°F (16°- 27°C). DO NOT charge the battery pack in an air temperature below +40°F (+4.5°C), or above +105°F (+40.5°C). This is important and will prevent serious damage to the battery pack.
2. The charger and battery pack may become warm to touch while charging. This is a normal condition, and does not indicate a problem. To facilitate the cooling of the battery pack after use, avoid placing the charger or battery pack in a warm environment such as in a metal shed, or an uninsulated trailer.
3. If the battery pack does not charge properly:
  - a. Check current at receptacle by plugging in a lamp or other appliance

b. Check to see if receptacle is connected to a light switch which turns power off when you turn out the lights.

c. Move charger and battery pack to a location where the surrounding air temperature is approximately 60°F - 80°F (16° - 27°C).

d. If charging problems persist, take the tool, battery pack and charger to your local service center.

4. The battery pack should be recharged when it fails to produce sufficient power on jobs which were easily done previously. DO NOT CONTINUE to use under these conditions. Follow the charging procedure. You may also charge a partially used pack whenever you desire with no adverse affect on the battery pack.

5. Foreign materials of a conductive nature such as, but not limited to, steel wool, aluminum foil, or any buildup of metallic particles should be kept away from charger cavities. Always unplug the charger from the power supply when there is no battery pack in the cavity. Unplug charger before attempting to clean.

6. Do not freeze or immerse charger in water or any other liquid.

**⚠WARNING: Shock hazard.** Do not allow any liquid to get inside charger. *Never attempt to open the battery pack for any reason. If the plastic housing of the battery pack breaks or cracks, return to a service center for recycling.*

## INSTALLING AND REMOVING THE BATTERY PACK

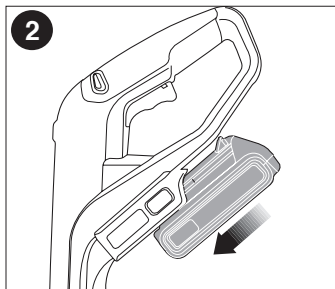
**⚠WARNING:** Make certain the lock-off button is engaged to prevent switch actuation before removing or installing battery.

### TO INSTALL BATTERY PACK:

Insert battery pack into tool until fully seated and an audible click is heard (figure 2).

### TO REMOVE BATTERY

**PACK:** Depress the battery release button in the back of the battery pack and pull battery pack out of tool.



## ASSEMBLY & ADJUSTMENT

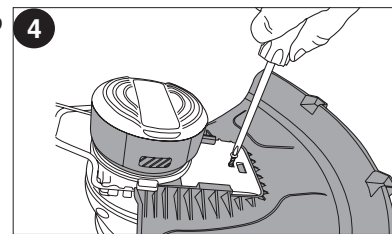
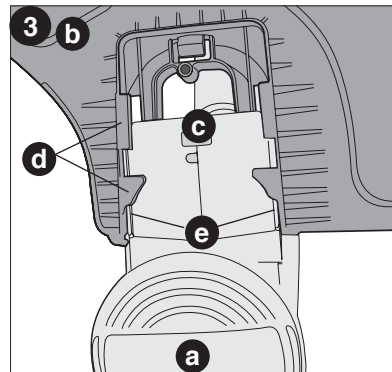
### ASSEMBLY TOOLS REQUIRED (NOT SUPPLIED):

- Phillips Screwdriver

### INSTALLING THE GUARD- FIGURE 3

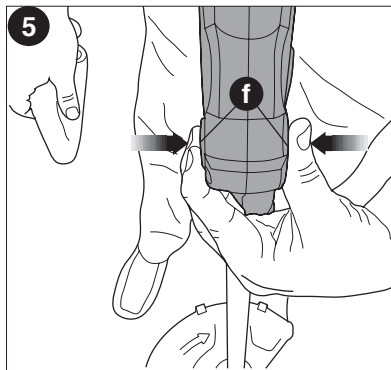
**⚠WARNING: REMOVE THE BATTERY BEFORE ATTEMPTING TO ATTACH THE GUARD, EDGE GUIDE OR HANDLE. NEVER OPERATE TOOL WITHOUT GUARD FIRMLY IN PLACE. THE GUARD MUST ALWAYS BE ON THE TOOL TO PROTECT THE USER.**

- Turn the trimmer upside down so that you are looking down at the spool cap (a).
- Turn the guard (b) upside down and slide it onto the motor housing (c). Make sure the tabs (d) on the guard engage the ribs (e) on the motor housing as shown.
- Continue to slide the guard on until you hear it "snap" into place.
- Using a phillips screwdriver, insert the guard screw as shown in figure 4 to complete the guard assembly.
- Once the guard is installed, remove the covering from the line cut-off blade, located on the edge of the guard.

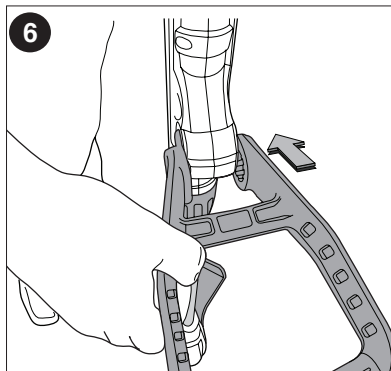


## ATTACHING THE AUXILIARY HANDLE

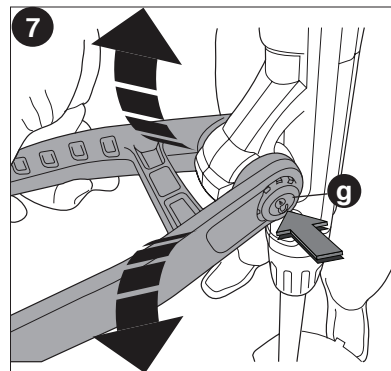
- To attach the handle, press in on the buttons (f) on both sides of the upper housing as shown in **figure 5**.



- Position the handle as shown in **figure 6** (with the BLACK+DECKER logo facing upward). Partially push the handle on so that it will hold the buttons in when you release them with your hand.

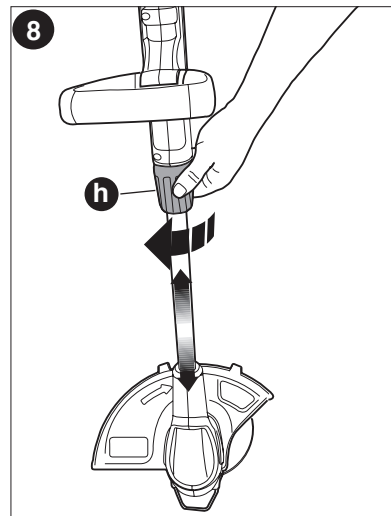


- Push the handle completely onto the housing and position it slightly until it “snaps” into place (**figure 7**).
- To adjust the handle up or down, press in on the button (g) and raise or lower the handle.
- The handle should be adjusted so that your front arm is straight when the trimmer is in the working position.



## HEIGHT ADJUSTMENT

- The overall height of the trimmer can be adjusted by loosening the collar (h) and rotating it in the direction of the arrow shown in **figure 8**.
- Move the upper housing straight up or down. When the desired height is achieved, tighten the collar (h) by rotating it opposite of the direction shown in **figure 8**.





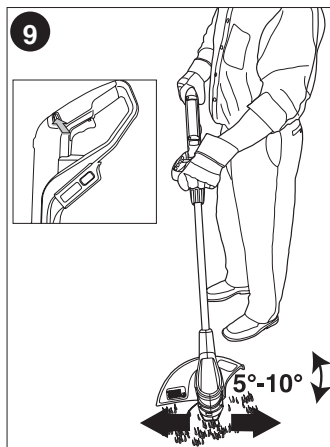
## OPERATING INSTRUCTIONS

**⚠ WARNING:** Always use proper eye protection that conforms to ANSI Z87.1 (CAN/CSA Z94.3) while operating this power tool.

**⚠ CAUTION:** Inspect area to be trimmed and remove any wire, cord, or string-like objects which could become entangled in the rotating line or spool. Be particularly careful to avoid any wire which might be bent outwardly into the path of the tool, such as barbs at the base of a chain link fence.

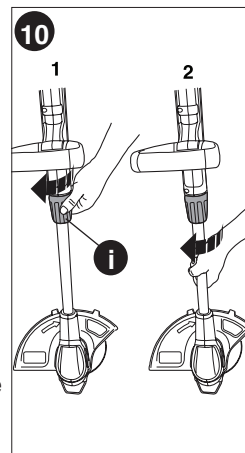
### SWITCHING ON AND OFF

- To switch the trimmer on, push the lock off button (shown in inset, **figure 9**) across from either side and then squeeze the trigger switch.
- To switch the tool off, release the trigger switch.
- With the unit on, angle unit and slowly swing the trimmer side to side as shown in **figure 9**.



### CONVERT TO EDGING MODE

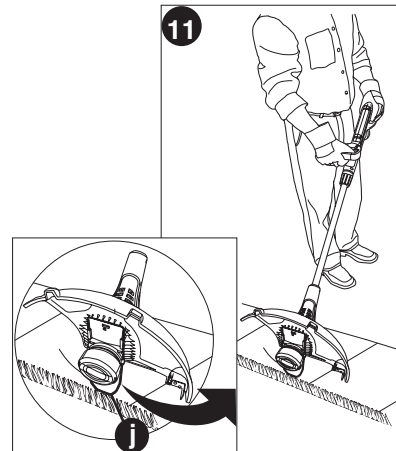
- To operate as a maintenance edger, turn the collar (i) as shown in part 1 of **figure 10**.
- Hold the metal shaft and rotate the lower housing 180° as shown in part 2.
- Turn the collar (i) until tight.



- If desired, pull the wire edge guide (j) out from the motor housing until it clicks into the locked position as shown in **figure 11** and position the trimmer above the surface as shown in **figure 11**.

- Return to the trimming position by loosening the collar and rotating the lower housing back 180°.
- Turn the collar until tight. When using the tool, retract the wire edge guide to the original position, out of the way.

**⚠ CAUTION:** Wire edge guide should only be used when in the edging mode. Keep wire edge guide in the retracted position when in the trimming mode.



## CUTTING LINE / LINE FEEDING

Your trimmer uses **.065 inch (1.65 mm) diameter, ROUND nylon line**. During use, the tips of the nylon lines will become frayed and worn and the special self feeding spool will automatically feed and trim a fresh length of line. **DO NOT BUMP** unit on ground in attempt to feed line or for any other purposes. Cutting line will wear faster and require more feeding if the cutting or edging is done along sidewalks or other abrasive surfaces or heavier weeds are being cut.

## REPLACEMENT ACCESSORIES

**⚠CAUTION:** Before you begin trimming, only use the appropriate type of cutting line.

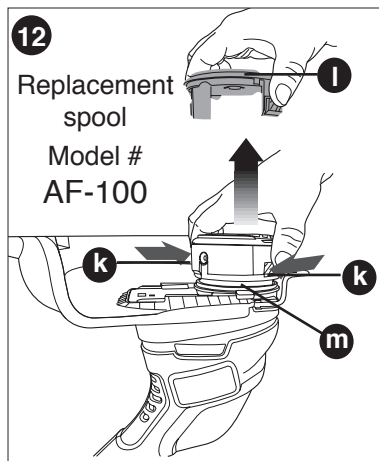
Use BLACK+DECKER replacement spool Model No. AF-100. Reload nylon line (either bulk or prewound replacement spool) as shown in this manual.

- USE ONLY .065 inch (1.65 mm) DIAMETER ROUND NYLON MONOFILAMENT LINE. Do not use serrated or heavier gauge line, as they will overload the motor and cause overheating. This line is available at your local dealer or authorized service center.
- Other replacement parts (guards, spool caps, etc.) are available through BLACK+DECKER service centers. To find your local service location call: **1-800-544-6986** or visit **www.blackanddecker.com**.

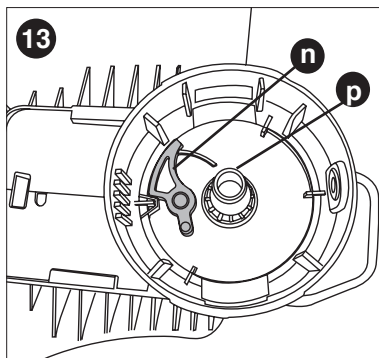
**⚠WARNING:** The use of any accessory not recommended by BLACK+DECKER for use with this tool could be hazardous.

## REPLACING THE SPOOL (FIGURES 12,13,14)

- Remove battery from tool.
- Depress the tabs (k) and remove the spool cap (l) from the spool housing (m) in the trimmer head (figure 12).
- For best results, replace spool with BLACK+DECKER model # AF-100.
- Grasp empty spool with one hand and spool housing with other hand and pull spool out.

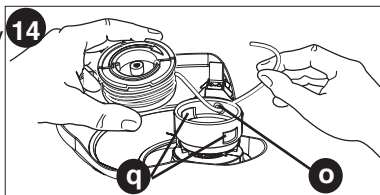


- If lever (n) (figure 13) in base of housing becomes dislodged, replace in correct position before inserting new spool into housing.
- Remove any dirt and grass from the spool and housing.
- Unfasten the end of the cutting line and guide the line into the eyelet (o) figure 14.
- Take the new spool and push it onto the boss (p) (figure 13) in the housing. Rotate the spool slightly until it is seated. The line should protrude approximately 5-3/8 inches (136mm) from the housing.
- Align the tabs on the spool cap with the slots (q) in the housing (figure 14).



- Push the cap onto the housing until it snaps securely into place.

**CAUTION:** To avoid tool damage, if the cutting line protrudes beyond the trimming blade, cut it off so that it just reaches the blade.

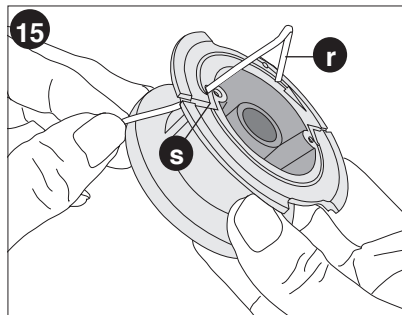


### REWINDING SPOOL FROM BULK LINE (USE ONLY .065 IN. ROUND DIAMETER LINE) (FIGURES 15, 16, 17)

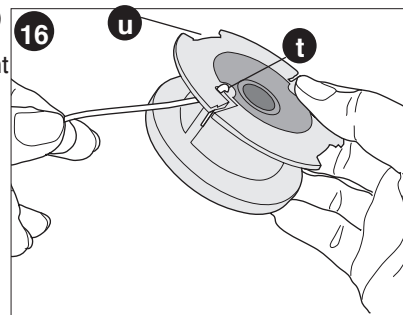
Bulk line is also available for purchase from your local retailer.

**NOTE:** Hand wound spools from bulk line are likely to become tangled more frequently than BLACK+DECKER factory wound spools. For best results, factory wound spools are recommended. To install bulk line, follow the steps below:

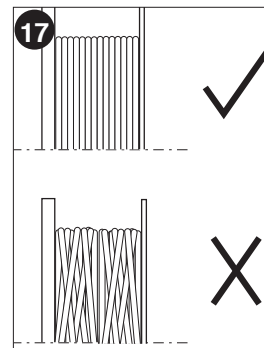
- Remove battery from tool.
- Remove the empty spool from the tool as described in “REPLACING THE SPOOL”.
- Remove any remaining cutting line from the spool.
- Make a fold at the end of the cutting line at about 3/4 inch (19mm)(r). Feed the cutting line into one of the line anchoring slots (s) as shown in **figure 15**.



- Insert the 3/4 inch (19mm) end of the bulk line into the hole (t) in the spool adjacent to the slot as shown in **figure 16**.



- Wind the cutting line onto the spool in the direction of the arrow on the spool. Make sure to wind the line on neatly and in layers. Do not crisscross (**figure 17**).
- When the wound cutting line reaches the recesses (u), cut the line. (**figure 16**).
- Fit the spool onto the tool as described in “REPLACING THE SPOOL”.



### THE RBRC™ SEAL

The RBRC™ (Rechargeable Battery Recycling Corporation) Seal on the LI-ION battery (or battery pack) indicates that the costs to recycle the battery (or battery pack) at the end of its useful life have already been paid by **BLACK+DECKER**. RBRC™ in cooperation with **BLACK+DECKER** and other battery users, has established programs in the United States to facilitate the collection of spent LI-ION batteries. Help protect our environment and conserve natural resources by returning the spent LI-ION battery to an authorized **BLACK+DECKER** service center or to your local retailer for recycling. You may also contact your local recycling center for information on where to



drop off the spent battery. RBRC™ is a registered trademark of the *Rechargeable Battery Recycling Corporation*.

## MAINTENANCE

**⚠WARNING:** To avoid serious injury, remove the battery from the tool before performing any maintenance.

1. Keep the air intake slots clean to avoid overheating.
2. Your trimmer line can dry out over time. To keep your line in top condition, store spare pre-wound spools or bulk line in a plastic, sealable bag with a tablespoon of water.
3. Plastic parts may be cleaned by using a mild soap and a damp rag.
4. The line cutter on the edge of the guard can dull over time. It is recommended you periodically touch-up the sharpness of the blade with a file.

**IMPORTANT:** To assure product SAFETY and RELIABILITY, repairs, maintenance and adjustment should be performed by authorized service centers or other qualified service organizations, always using identical replacement parts.

## TROUBLESHOOTING

### TOOL RUNS SLOWLY

- Remove battery from tool.
- Check that the spool housing can rotate freely. Carefully clean it if necessary.
- Check that the cutting line does not protrude more than approximately 5-3/8 inches (136mm) from the spool. If it does, cut it off so that it just reaches the line trimming blade.

### AUTOMATIC LINE FEED DOES NOT WORK

- Remove battery from tool.
- Remove the spool cap.
- Pull the cutting line until it protrudes approximately 5-3/8 inches (136mm) from the spool. If insufficient cutting line is left on the spool, install a new spool of cutting line.
- Ensure that the line is not crisscrossed on the spool as detailed in **figure 17**. If it is, unwind the cutting line, then wind it back on

the spool neatly so that the lines do not cross.

- Push the spool onto the housing until it snaps securely into place.
- Align the tabs on the spool cap with the cut outs in the housing.
- If the cutting line protrudes beyond the trimming blade, cut it off so that it just reaches the blade. If the automatic line feed still does not work or the spool is jammed, try the following suggestions:
  - Carefully clean the spool and housing.
  - Remove the spool and check if the lever in the spool housing can move freely.
  - Remove the spool and unwind the cutting line, then wind it on neatly again. Replace the spool into the housing.

## SERVICE INFORMATION

All BLACK+DECKER Service Centers are staffed with trained personnel to provide customers with efficient and reliable power tool service. Whether you need technical advice, repair, or genuine factory replacement parts, contact the BLACK+DECKER location nearest you. To find your local service location, call: **1-800-544-6986** or visit [www.blackanddecker.com](http://www.blackanddecker.com)

This Class B digital apparatus complies with Canadian ICES-003.

This device complies with part 15 of the FCC rules. Operation is subject to the following two conditions: (1) This device may not cause harmful interference, and (2) this device must accept any interference received, including interference that may cause undesired operation.

**NOTE:** This equipment has been tested and found to comply with the limits for a Class B digital device, pursuant to Part 15 of the FCC Rules. These limits are designed to provide reasonable protection against harmful interference in a residential installation. This equipment generates, uses and can radiate radio frequency energy and, if not installed and used in accordance with the instructions, may cause harmful interference to radio communications. However, there is no guarantee that interference will not occur in a particular installation.

If this equipment does cause harmful interference to radio or

television reception, which can be determined by turning the equipment off and on, the user is encouraged to try to correct the interference by one or more of the following measures:

- Reorient or relocate the receiving antenna.
- Increase the separation between the equipment and receiver.
- Connect the equipment into an outlet on a circuit different from that to which the receiver is connected.
- Consult the dealer or an experienced radio/TV technician for help.

Changes or modifications to this unit not expressly approved by the party responsible for compliance could void the user's authority to operate the equipment. This Class B digital apparatus complies with Canadian ICES-003.

## **TWO-YEAR LIMITED WARRANTY**

Black & Decker (U.S.) Inc. warrants this product to be free from defects in material or workmanship for a period of two (2) years following the date of purchase, provided that the product is used in a home environment. This limited warranty does not cover failures due to abuse, accidental damage or when repairs have been made or attempted by anyone other than BLACK+DECKER and its Authorized Service Centers. A defective product meeting the warranty conditions set forth herein will be replaced or repaired at no charge in either of two ways:

The first, which will result in exchanges only, is to return the product to the retailer from whom it was purchased (provided that the store is a participating retailer). Returns should be made within the time period of the retailer's policy for exchanges. Proof of purchase may be required. Please check with the retailer for its specific return policy regarding time limits for returns or exchanges. The second option is to take or send the product (prepaid) to a BLACK+DECKER owned or authorized Service Center for repair or replacement at BLACK+DECKER's option. Proof of purchase may be required. BLACK+DECKER owned and authorized service centers are listed online at [www.blackanddecker.com](http://www.blackanddecker.com).

This warranty does not apply to accessories. This warranty gives

you specific legal rights and you may have other rights which vary from state to state. Should you have any questions, contact the manager of your nearest BLACK+DECKER Service Center. This product is not intended for commercial use, and accordingly, such commercial use of this product will void this warranty. All other guarantees, express or implied, are hereby disclaimed.

**LATIN AMERICA:** This warranty does not apply to products sold in Latin America. For products sold in Latin America, check country specific warranty information contained in the packaging, call the local company or see the website for such information.

Imported by  
Black & Decker (U.S.) Inc.,  
701 E. Joppa Rd.  
Towson, MD 21286 U.S.A.

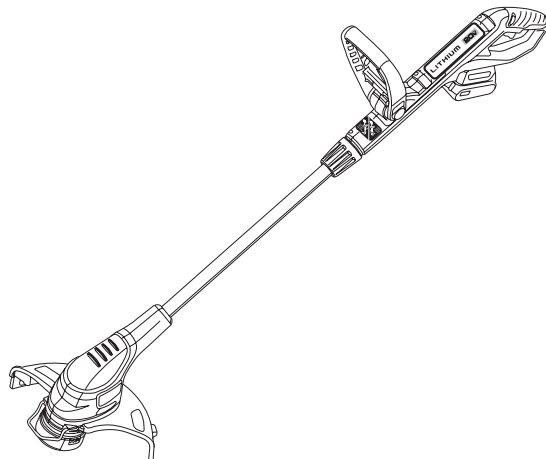


# BLACK+ DECKER™

## TAILLE-BORDURE / COUPE-BORDURE AVEC PILE AU LITHIUM DE 20 V MAX.\*

### MODE D'EMPLOI

NUMÉRO DE MODÈLE  
**LST220**



### VOICI DES RENSEIGNEMENTS IMPORTANTS QU'IL VOUS FAUT CONNAÎTRE :

- Le pare-main doit être installé avant de débiter le taillage ou la coupe sinon le moteur surchauffera.
- Utiliser seulement un fil ROND de 1,7 mm (0,065 po) de diamètre lors du remplacement (modèle AF-100 de B+D recommandé), sinon l'appareil ne fonctionnera pas correctement.
- Éviter de frapper la tête d'alimentation contre le sol. En effet, cela endommagera le mécanisme d'alimentation.

### MERCI D'AVOIR CHOISI BLACK+DECKER!

### À LIRE AVANT DE RETOURNER CE PRODUIT POUR QUELQUE RAISON QUE CE SOIT :

Si des questions ou des problèmes surgissent après l'achat d'un produit BLACK+DECKER, consulter le site Web [www.blackanddecker.com/instantanswers](http://www.blackanddecker.com/instantanswers) pour obtenir des réponses instantanément 24 heures par jour. Si la réponse est introuvable ou en l'absence d'accès à l'Internet, composer le 1 800 544-6986 de 8 h à 17 h HNE, du lundi au vendredi,

pour parler avec un agent. Prière d'avoir le numéro de catalogue sous la main lors de l'appel. Pour l'achat d'un filtre de rechange composer le 1-888-678-7278

### CONSERVER CE MODE D'EMPLOI POUR UN USAGE ULTÉRIEUR.

\*La tension initiale maximale du bloc-piles (mesurée sans charge de travail) est de 20 volts. La tension nominale est de 18.

Consulter le site Web [www.BlackandDecker.com/NewOwner](http://www.BlackandDecker.com/NewOwner) pour enregistrer votre nouveau produit.

## LIGNES DIRECTRICES EN MATIÈRE DE SÉCURITÉ - DÉFINITIONS

Il est important que vous lisiez et compreniez ce mode d'emploi. Les informations qu'il contient concernent VOTRE SÉCURITÉ et visent à ÉVITER TOUT PROBLÈME. Les symboles ci-dessous servent à vous aider à reconnaître cette information.

**⚠ DANGER** : Indique une situation dangereuse imminente qui, si elle n'est pas évitée, causera la mort ou des graves blessures.

**⚠ AVERTISSEMENT** : Indique une situation potentiellement dangereuse qui, si elle n'est pas évitée, pourrait causer la mort ou de graves blessures.

**⚠ MISÉ EN GARDE** : Indique une situation potentiellement dangereuse qui, si elle n'est pas évitée, pourrait causer des blessures mineures ou modérées.

**AVIS** : Utilisé sans le symbole d'alerte à la sécurité, indique une situation potentiellement dangereuse qui, si elle n'est pas évitée, peut résulter en des dommages à la propriété.

**⚠ AVERTISSEMENT** : lorsque l'utilisation d'appareils de jardinage électriques, des précautions de sécurité de base doivent toujours être suivies pour réduire les risques d'incendie, d'électrocution et de blessures, notamment les suivantes.

**⚠ AVERTISSEMENT : AVERTISSEMENTS DE SÉCURITÉ ET DIRECTIVES DE PREMIÈRE IMPORTANCE**

**⚠ RÉDUCTION DES RISQUES DE BLESSURES :**

- Avant tout usage, s'assurer que tout utilisateur de cet outil lise et comprenne toutes les directives de sécurité ainsi que l'information comprise dans le présent manuel.

- Conserver ces directives et les examiner fréquemment avant d'utiliser l'appareil ou de donner des directives aux autres.

**⚠ MISE EN GARDE** : Négliger de se conformer aux recommandations décrites dans la section des informations importantes annulera la garantie.

**⚠ AVERTISSEMENT** : Certaines poussières produites par cet outil contiennent des produits chimiques reconnus par l'État de la Californie comme pouvant causer le cancer, les

anomalies congénitales et d'autres dangers pour la reproduction. Voici quelques exemples de ces produits chimiques :

- composés présents dans les engrais
  - composés présents dans les insecticides, herbicides et pesticides
  - arsenic et chrome provenant de bois traité chimiquement
- Pour réduire votre exposition à ces produits chimiques, porter un équipement de sécurité approuvé comme un masque anti-poussières conçu spécialement pour filtrer les particules microscopiques.

**⚠ AVERTISSEMENT : TOUJOURS porter des lunettes de sécurité.** Les lunettes de vue ne constituent PAS des lunettes de sécurité. Utiliser également un masque facial ou anti-poussière si l'opération de découpe génère de la poussière. **TOUJOURS PORTER UN ÉQUIPEMENT DE PROTECTION HOMOLOGUÉ :**

- protection oculaire conforme à la norme ANSI Z87.1 (CAN/CSA Z94.3);
- protection des voies respiratoires conformes aux normes NIOSH/OSHA/MSHA.

**⚠ AVERTISSEMENT : Toujours porter une protection auditive appropriée, conforme à la norme ANSI S12.6 (S3.19) lors de l'utilisation.** Sous certaines conditions et la durée d'utilisation, le bruit de ce produit peut contribuer à une perte auditive.

### BIEN LIRE ET COMPRENDRE TOUTES LES DIRECTIVES AVANT D'UTILISER L'OUTIL.

**⚠ AVERTISSEMENTS:**

- **TOUJOURS PORTER UNE PROTECTION OCULAIRE** - Porter des lunettes ou des lunettes protectrices en tout temps lorsque cet outil est branché.
- **DISPOSITIF DE PROTECTION** – Ne pas utiliser cet outil sans les dispositifs de protection en place.
- **S'HABILLER DE MANIÈRE APPROPRIÉE** - Ne pas porter de vêtements amples ni de bijoux. Ils peuvent s'enchevêtrer dans les pièces mobiles. Des gants en caoutchouc et des chaussures adéquates à semelles en caoutchouc sont recommandés lors de travaux à l'extérieur. Ne pas utiliser l'outil avec les pieds nus ou des sandales ouvertes. Porter des pantalons longs pour protéger

vos jambes. Se couvrir les cheveux s'ils sont longs.

- **FIL EN NYLON** - Tenir le visage, les mains et pieds loin du fil de nylon rotatif en tout temps.
- **LE FIL EN ROTATION EXÉCUTE UNE COUPE** - Être attentif lors de taillage autour de grillages et de plates-bandes.
- **TENIR ÉLOIGNÉ TOUS LES SPECTATEURS** - À une distance sécuritaire de l'aire de travail, particulièrement les enfants.
- **AVERTISSEMENT IMPORTANT** : lorsque l'outil est utilisé comme coupe bordure, des pierres, morceaux de métal et autres objets peuvent être projetés à haute vitesse par le fil. L'outil et le dispositif de protection sont conçus pour réduire le risque. Toutefois, les précautions spéciales suivantes doivent être prises : **S'ASSURER** que toute personne et animaux sont éloignés d'au moins 30 m (100 pi).
- **POUR RÉDUIRE LE RISQUE** de blessures par ricochet, travaillez en vous éloignant de tout objet solide tel un mur, des marches, de grosses pierres, d'arbres, etc. Soyez très prudent lors de travaux près d'objets solides et, le cas échéant, taillez ou coupez manuellement.
- **ÉVITER LES DÉMARRAGES ACCIDENTELS** - Ne pas transporter d'outil branché avec le doigt sur la détente.
- **NE PAS FORCER L'OUTIL** - à tourner à une vitesse plus rapide que celle pour laquelle il est capable de couper efficacement.
- **UTILISER LE BON OUTIL** - Ne pas utiliser cet outil pour tout autre type de travail sauf pour celui pour lequel il est prévu.
- **NE PAS TROP TENDRE LES BRAS** - Conserver son équilibre en tout temps.
- **OUTIL ENDOMMAGÉ** - Si vous frappez ou devenez enchevêtré dans un objet, arrêtez immédiatement l'outil, débranchez-le puis inspectez pour toute trace de dommages qui devront être réparés avant une autre utilisation. Ne pas utiliser avec un moyeu ou une bobine brisés.
- **DÉBRANCHER L'OUTIL** – Lorsque inactif, lors de remplacement de fil ou avant un nettoyage.
- **ÉVITER LES CONDITIONS ENVIRONNEMENTALES DANGEREUSES** - Ne pas utiliser d'outils électriques dans des lieux humides ou mouillés. Suivre toutes les directives de ce mode d'emploi pour une utilisation adéquate de votre outil. Ne pas utiliser l'outil sous la pluie.
- **NE PAS UTILISER** d'outils électriques portatifs dans un milieu gazeux ou déflagrant. Les moteurs de ces outils produisent normalement des étincelles qui pourraient enflammer des vapeurs.
- **RANGER LES OUTILS INUTILISÉS À L'INTÉRIEUR** – Lorsqu'ils ne sont pas utilisés, les outils doivent être rangés à l'intérieur, dans un endroit sec et verrouillé, hors de portée des enfants.
- **ÊTRE VIGILANT** – Surveiller le travail effectué. Faire preuve de jugement. Ne pas utiliser l'outil en cas de fatigue.
- **PIÈCES DE RECHANGE** – Pour réparer, n'utiliser que des pièces de rechange identiques.
- **PRENDRE SOIN DES OUTILS ÉLECTRIQUES** – Suivre les directives figurant à la section Entretien. Inspecter régulièrement les rallonges électriques et remplacer si endommagées. Maintenir les poignées sèches, propres et exemptes d'huile et de graisse.
- **VÉRIFIER LES PIÈCES ENDOMMAGÉES** – Avant toute utilisation ultérieure de l'appareil électrique, un dispositif de protection endommagé, ou toute autre pièce endommagée, doit être examiné soigneusement afin d'assurer un fonctionnement adéquat selon sa fonction prévue. Vérifier l'alignement des pièces mobiles, la présence de grippage des pièces mobiles, de rupture de pièces, la fixation et tout autre problème pouvant nuire au fonctionnement de l'outil. Un dispositif de protection endommagé, ou toute autre pièce endommagée, doit être réparé ou remplacé adéquatement par un centre de réparation autorisé à moins d'un avis contraire indiqué dans le présent mode d'emploi.
- **NE PAS immerger l'outil dans l'eau ou l'arroser au boyau. ÉVITER** la pénétration de tout liquide dans l'outil.
- **NE PAS ranger l'outil sur des engrais ou des produits chimiques** ou près de ceux-ci.
- **NE PAS nettoyer avec un nettoyeur à pression.**
- **Maintenez les gardes en place et en état de marche.**
- **Garder les mains et les pieds de la zone de coupe.**

⚠ **AVERTISSEMENT** : Ne pas utiliser tondeuse si la gâchette ne tourne pas la tondeuse ou le désactiver. Toute coupe qui ne peut être contrôlée avec la gâchette est dangereux et doit être réparé.

**CONSERVE ESTAS INSTRUCCIONES**



## SYMBOLES

**L'étiquette apposée sur votre outil peut comprendre les symboles suivants.**

V..... volts	A.....ampères
Hz..... hertz	W..... watts
min..... minutes	~ ou AC..... courant alternatif
--- o DC... courant continu	non..... vitesse à vide
Ⓜ ..... Assemblage de classe II	⊕..... borne de terre
⚠ ..... symbole d'alerte à la sécurité	.../min..... rotations par minute
👉 ..... Lire le mode d'emploi avant l'utilisation	
🧴 ..... Utiliser une protection respiratoire adéquate.	
🕶 ..... Utiliser une protection oculaire adéquate.	
👂 ..... Utiliser une protection auditive adéquate.	

## ⚠ DIRECTIVES DE SÉCURITÉ IMPORTANTES POUR LES CHARGEURS DE PILES

**CONSERVER CES DIRECTIVES** : ce mode d'emploi comprend d'importantes directives de sécurité pour les chargeurs de piles.

⚠ **AVERTISSEMENT** : Avant d'utiliser le chargeur, lisez toutes les instructions et mises en garde figurant sur le chargeur, la batterie et le produit utilisant la batterie.

- Avant d'utiliser le chargeur, lisez toutes les directives et tous les avertissements figurant sur le chargeur, le bloc-piles et le produit utilisé avec le bloc-piles.

⚠ **AVERTISSEMENT** : risque de choc électrique. Éviter la pénétration de tout liquide dans le chargeur.

⚠ **AVERTISSEMENT** : risque de brûlure. Pour réduire le risque de blessures, charger uniquement des piles **BLACK+DECKER** conseillées. D'autres types de piles peuvent exploser et provoquer des blessures corporelles et des dommages.

⚠ **MISE EN GARDE** : dans certaines circonstances, lorsque le chargeur est branché au bloc d'alimentation, le chargeur peut être court-circuité par des corps étrangers conducteurs tels que, mais sans s'y limiter, la laine d'acier, le papier d'aluminium ou toute accumulation de particules métalliques. Ils doivent être maintenus

à distance des ouvertures du chargeur. Débrancher systématiquement celui-ci si aucun bloc-piles n'y est inséré. Débrancher le chargeur avant tout nettoyage.

- **NE PAS tenter de charger le bloc-piles avec autre chose qu'un chargeur de marque.** Les chargeurs et blocs-piles sont conçus spécialement pour fonctionner ensemble.
- **Ces chargeurs ne sont pas destinés à être utilisés à d'autres fins que celles de charger les piles rechargeables conseillées BLACK+DECKER.** Toute autre utilisation risque de provoquer un incendie, un choc électrique ou une électrocution.
- **Protéger le chargeur de la pluie et de la neige.**
- **Tirer la fiche plutôt que le cordon pour débrancher le chargeur ou pour débrancher les cordons à l'aide de la fonction de guirlande.** Cela permet de réduire le risque d'endommager la fiche ou le cordon d'alimentation.
- **S'assurer que le cordon est situé en lieu sûr de manière à ce que personne ne marche ni ne trébuché dessus ou à ce qu'il ne soit pas endommagé ni soumis à une tension.**
- **Ne pas utiliser de rallonge à moins que cela ne soit absolument nécessaire.** L'utilisation d'une rallonge inadéquate risque d'entraîner un incendie, un choc électrique ou une électrocution.
- **Pour la sécurité de l'utilisateur, utiliser une rallonge de calibre adéquat (AWG, American Wire Gauge [calibrage américain normalisé des fils]).** Plus le numéro de calibre de fil est petit et plus sa capacité est grande, par exemple un calibre 16 a plus de capacité qu'un calibre 18. Si plus d'une rallonge est utilisée pour

Tension	Calibre minimal des cordons de rallonge				
	Longueur totale du cordon en pieds				
120V	0-25	26-50	51-100	101-150	
	(0-7,6m)	(7,6-15,2m)	(15,2-30,4m)	(30,4-45,7m)	
240V	0-50	51-100	101-200	201-300	
	(0-15,2m)	(15,2-30,4m)	(30,4-60,9m)	(60,9-91,4m)	
Intensité (A)	Calibre moyen des fils (AWG)				
Au moins	Au plus				
0	- 6	18	16	16	14
6	- 10	18	16	14	12
10	- 12	16	16	14	12
12	- 16	14	12	Non recommandé	

obtenir la longueur totale, s'assurer que chaque rallonge présente au moins le calibre de fil minimum.

- **Ne pas mettre d'objet sur le chargeur ni mettre ce dernier sur une surface souple, ce qui pourrait causer l'obstruction des fentes de ventilation et, du fait, provoquer une chaleur interne excessive. Éloigner le chargeur de toute source de chaleur.** La ventilation du chargeur se fait par les fentes pratiquées dans les parties supérieures et inférieures du boîtier.
- **Ne pas installer le chargeur sur un mur ni le fixer de manière permanente sur toute surface.** Le chargeur est destiné à une utilisation sur une surface plane et stable (c.-à-d. un dessus de table ou d'établi).
- **Ne pas faire fonctionner le chargeur si la fiche ou le cordon est endommagé; les remplacer immédiatement.**
- **Ne jamais se servir d'un chargeur qui a subi un choc violent, qui est tombé par terre ou qui est endommagé de quelque manière que ce soit.** Le faire vérifier dans un centre de réparation autorisé.
- **Ne pas démonter le chargeur; confier l'entretien ou la réparation de l'appareil à un centre de réparation autorisé.** Le remontage non conforme du chargeur comporte des risques de choc électrique, d'électrocution ou d'incendie.
- **Débrancher le chargeur avant de le nettoyer.** Cela réduira le risque de choc électrique. Le risque ne sera pas éliminé en enlevant simplement le bloc-piles.
- **NE JAMAIS relier deux chargeurs ensemble.**
- **Le chargeur est conçu pour être alimenté en courant domestique standard (120 V). Ne pas utiliser une tension supérieure pour le chargeur.**

## ⚠ DIRECTIVES DE SÉCURITÉ IMPORTANTES POUR LES BLOCS-PILES

⚠ **AVERTISSEMENT :** Pour un fonctionnement sûr, lire le présent manuel et les manuels fournis avec l'outil avant d'utiliser le chargeur. Le bloc-piles n'est pas complètement chargé à la sortie de l'emballage. Avant d'utiliser le bloc-piles et le chargeur, lire les directives de sécurité ci-après. Respecter ensuite les consignes de chargement décrites.

## LIRE TOUTES LES DIRECTIVES.

- **Ne pas incinérer le bloc-piles, même s'il est très endommagé ou complètement usé, car il pourrait exploser au contact des flammes.** Des vapeurs et des matières toxiques sont dégagées lorsque les blocs-piles sont incinérés.
- **Ne pas charger ou utiliser de pile dans un milieu déflagrant, en présence de liquides, de gaz ou de poussière inflammables.** Insérer ou retirer la pile du chargeur peut enflammer de la poussière ou des émanations.
- **Si le contenu de la pile entre en contact avec la peau, laver immédiatement la zone touchée au savon doux et à l'eau.** Si le liquide de la pile entre en contact avec les yeux, rincer l'œil ouvert à l'eau pendant 15 minutes ou jusqu'à ce que l'irritation cesse. Si des soins médicaux sont nécessaires, l'électrolyte des piles au lithium-ion est composé d'un mélange de carbonates organiques liquides et de sels de lithium.
- **Le contenu des éléments de pile ouverts peut provoquer une irritation respiratoire.** Exposer la personne à de l'air frais. Si les symptômes persistent, obtenir des soins médicaux.

⚠ **AVERTISSEMENT :** Risque de brûlure. Le liquide de la pile peut s'enflammer s'il est exposé à des étincelles ou à une flamme.

- Charger uniquement les blocs-piles au moyen de chargeurs **BLACK+DECKER.**
- **NE PAS éclabousser le bloc-piles ni l'immerger dans l'eau ou dans tout autre liquide.** Cela peut entraîner une défaillance prématurée de l'élément.
- **Ne pas ranger ni utiliser l'outil et le bloc-piles dans un endroit où la température peut atteindre ou dépasser les 40 °C (105 °F) (comme dans les remises extérieures ou les bâtiments métalliques en été).**

⚠ **AVERTISSEMENT :** Ne jamais tenter d'ouvrir le bloc-piles pour quelque raison que ce soit. Si le boîtier du bloc-piles est fissuré ou endommagé, ne pas l'insérer dans un chargeur. Ne pas écraser, laisser tomber ou endommager le bloc-piles. Ne pas utiliser un bloc-piles ou un chargeur qui a reçu un choc violent, qui est tombé, a été écrasé ou est endommagé de quelque manière que ce soit (p. ex.

percé par un clou, frappé d'un coup de marteau, piétiné). Les blocs-piles endommagés doivent être envoyés au centre de réparation pour être recyclés.

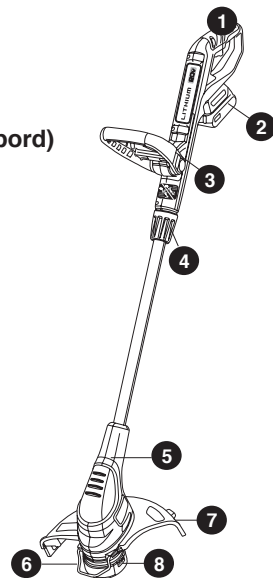
**⚠️ AVERTISSEMENT : Risque d'incendie. Ne pas ranger ou transporter les piles de manière à ce que des objets métalliques puissent entrer en contact avec les bornes exposées des piles.** Par exemple, ne pas mettre de pile dans un tablier, une poche, une boîte à outils, un boîtier de rangement, un tiroir, etc. contenant des objets tels que des clous, des vis ou des clés. **Le transport des piles peut causer un incendie si les bornes des piles entrent en contact involontairement avec des matières conductrices comme des clés, de la monnaie, des outils manuels et d'autres éléments semblables.** Selon le règlement HMR du DOT (US Department of Transportation Hazardous Material Regulations), il est effectivement interdit de transporter des piles pour le commerce et dans les avions (c.-à-d. dans les valises et les bagages à main) À MOINS qu'elles ne soient bien protégées contre les courts-circuits. Pour le transport de piles individuelles, on doit donc s'assurer que les bornes sont protégées et bien isolées contre toute matière pouvant entrer en contact avec elles et provoquer un court-circuit. **REMARQUE : Il ne faut pas laisser de piles au LI-ION dans les bagages enregistrés.**

#### RECOMMANDATIONS EN MATIÈRE DE RANGEMENT

1. Le meilleur endroit de rangement est celui qui est frais et sec, loin de toute lumière directe et protégé d'une température extrême (chaleur ou froid).
2. El almacenamiento prolongado no dañará el paquete de baterías o el cargador, siempre y cuando la batería no esté completamente descargada.

## COMPOSANTS

1. Détonateur
2. Pile
3. Poignée auxiliaire
4. Collier (pour régler la hauteur et le bord)
5. Boîtier du moteur
6. Guide de coupe
7. Pare-main
8. Bobine



Ce produit est compatible avec tous les modèles de piles et de chargeurs énumérés dans le tableau ci-dessous.

### Blocs-piles au LI-ION et chargeurs correspondants

Description	Cat. #
Bloc-piles : LI-ION	LBX20 LBXR20 LBXR2020 LB2X4020
Chargeur : pour piles au LI-ION	LCS1620 L2AFCBST L2AFC

## PROCÉDURE DE CHARGE

Le chargeur standard fourni chargera une pile complètement épuisée en 4 heures environ.

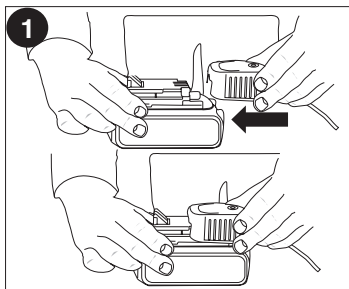
1. Brancher le chargeur dans une prise appropriée avant d'insérer le bloc-piles.

2. Insérer le bloc-piles dans le chargeur comme le montre la figure 1.

3. Le voyant DEL vert clignotera indiquant ainsi que la pile est en cours de charge.

4. La fin de la charge est indiquée par le voyant DEL vert qui demeure allumé.

Le bloc-piles est chargé à plein et peut être utilisé ou laissé sur le chargeur.



**Recharger les piles épuisées aussitôt que possible après leur utilisation pour prolonger leur durée de vie.**

## PILE LAISSÉE DANS LE CHARGEUR

Le chargeur et le bloc-piles peuvent être laissés branchés, le voyant DEL vert demeurant allumé. Le chargeur maintiendra le bloc-piles en bon état et complètement chargé.

## REMARQUES IMPORTANTES SUR LE CHARGEMENT

1. Pour augmenter la durée de vie du bloc-piles et optimiser son rendement, le charger à une température située entre 16 et 27 °C (60 et 80 °F). NE PAS charger le bloc-piles à des températures inférieures à 4,5 °C (40 °F) ou supérieures à 40,5 °C (105 °F). Ces consignes sont importantes et permettent d'éviter d'endommager gravement le bloc-piles.

2. Le chargeur et le bloc-piles peuvent devenir chauds au toucher pendant la recharge. Il s'agit d'un état normal et cela n'indique pas un problème. Pour faciliter le refroidissement du bloc-piles après son utilisation, éviter de mettre le chargeur ou le bloc-piles dans un endroit chaud comme dans une remise métallique ou une remorque non isolée.

3. Si le bloc-piles ne se charge pas adéquatement, on doit :

a. Vérifier le courant à la prise en branchant une lampe ou un autre appareil électrique.

b. Vérifier si la prise est reliée à un interrupteur d'éclairage qui coupe le courant au moment d'éteindre la lumière.

c. Déplacer le chargeur et le bloc-piles à un endroit où la température ambiante est entre 16 °C et 27 °C (60 °F et 80 °F).

d. Si le problème persiste, apporter ou envoyer l'outil, le bloc-piles et le chargeur au centre de réparation de votre région.

4. Le bloc-piles doit être rechargé lorsqu'il n'arrive pas à produire suffisamment de puissance pour des travaux qui étaient facilement réalisés auparavant. NE PAS CONTINUER à utiliser le bloc-piles dans ces conditions. Suivre les procédures de charge. On peut également recharger à tout moment un bloc-piles partiellement déchargé sans affecter sa longévité.

5. Tout corps étranger conducteur, tel que notamment la laine d'acier, le papier d'aluminium ou toute accumulation de particules métalliques, doit être maintenu à distance des ouvertures du chargeur. Débrancher systématiquement celui-ci si aucun bloc-piles n'y est inséré. Débrancher le chargeur avant tout nettoyage.

6. Ne pas congeler le chargeur, l'immerger dans l'eau ou dans tout autre liquide.

**⚠AVERTISSEMENT : Risque de choc électrique.** Éviter la pénétration de tout liquide dans le chargeur. Ne jamais tenter d'ouvrir le bloc-piles pour quelque raison que ce soit. Si le boîtier en plastique du bloc-piles est brisé ou fissuré, le retourner à un centre de réparation pour qu'il soit recyclé.

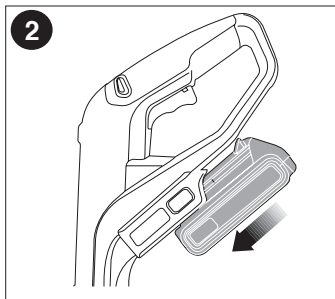
## INSERTION ET RETRAIT DU BLOC-PILES

### ⚠ AVERTISSEMENT :

S'assurer que le bouton de verrouillage est bien engagé pour empêcher l'utilisation de la détente avant la pose ou le retrait de la pile.

## INSTALLATION DU BLOC-PILES

: Insérer le bloc-piles dans l'outil, jusqu'au fond et de manière à entendre un déclic (**figure 2**).



**RETRAIT DU BLOC-PILES** : Enfoncer le bouton de dégagement du bloc-piles situé au dos du bloc-piles, puis retirer le bloc-piles de l'outil.

## CONFIGURATION DE L'ASSEMBLAGE ET DES RÉGLAGES

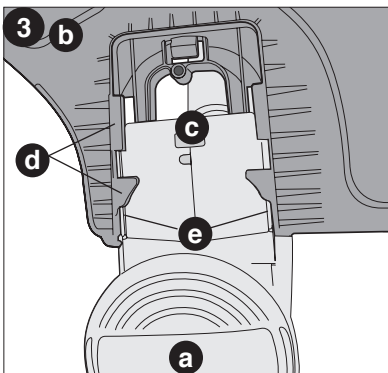
### Outils requis pour l'assemblage (non fournis) :

- Tournevis cruciforme

## POSE DU PARE-MAIN - figure 3

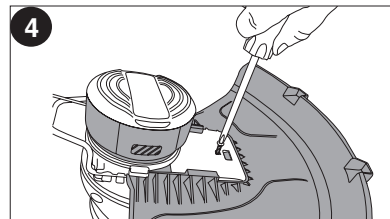
⚠ **AVERTISSEMENT** : Retirer la pile de l'outil avant d'essayer de fixer le pare-main, le guide de coupe ou la poignée. **NE JAMAIS UTILISER L'OUTIL SANS LE PARE-MAIN SOLIDEMENT FIXÉ. Le pare-main doit toujours être en place sur l'outil pour protéger l'opérateur.**

- Mettre le taille-bordure à l'envers de manière à voir le couvercle de la bobine (a).
- Mettre le pare-main (b) à l'envers et le glisser sur le boîtier du moteur (c).
- S'assurer que les pattes (d) du dispositif de protection



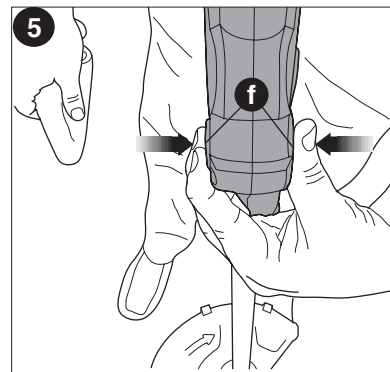
engagent les nervures (e) du boîtier du moteur comme dans l'illustration.

- Continuer de glisser le pare-main jusqu'à ce qu'il « s'enclenche » en position.
- A l'aide d'un tournevis cruciforme, insérer la vis du pare-main comme l'illustre la **figure 4** pour terminer l'assemblage du pare-main.
- Une fois le pare-main installé, retirer l'enveloppe de la lame, pour la coupe du fil, située sur le bord du pare-main.

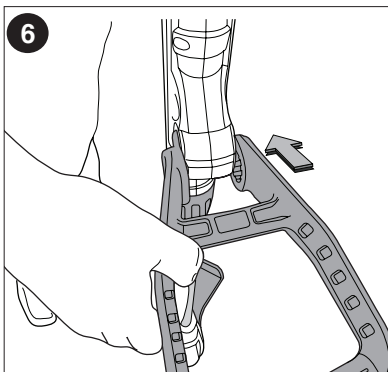


## FIXATION DE LA POIGNÉE AUXILIAIRE

- Pour fixer la poignée, enfoncer les boutons (f) des deux côtés du boîtier supérieur comme le montre la **figure 5**.

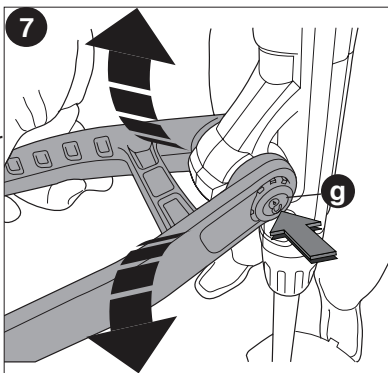


- Positionner la poignée comme le montre la **figure 6** (le logo BLACK+DECKER étant positionné vers le haut). Pousser partiellement la poignée. Ainsi, les boutons seront maintenus enfoncés au moment de les relâcher.



- Pousser la poignée complètement sur le boîtier et la positionner légèrement de manière à ce qu'elle « s'enclenche » en place (**figure 7**).

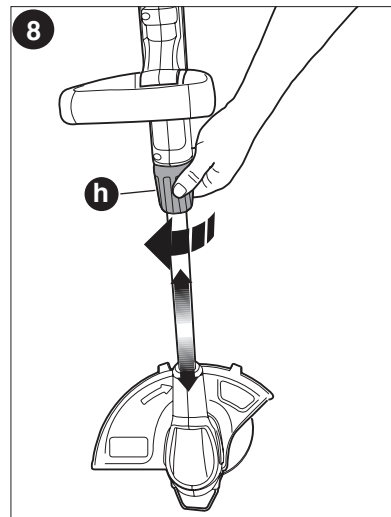
- Pour régler la poignée vers le haut ou le bas, appuyer sur le bouton (g), puis relever ou abaisser la poignée.
- Ajuster la poignée de façon à avoir le bras avant complètement droit lorsque le taille-bordure est en position de fonctionnement.



## RÉGLAGE DE LA HAUTEUR

- La hauteur totale du taille-bordure peut être réglée en desserrant le collier (h) et en le tournant dans le sens de la flèche illustrée dans la **figure 8**.

- Monter ou baisser le boîtier supérieur en ligne droite. Lorsque la hauteur désirée est atteinte, serrer le collier (h) en le tournant dans le sens opposé à celui illustré à la **figure 8**.



## DIRECTIVES D'UTILISATION

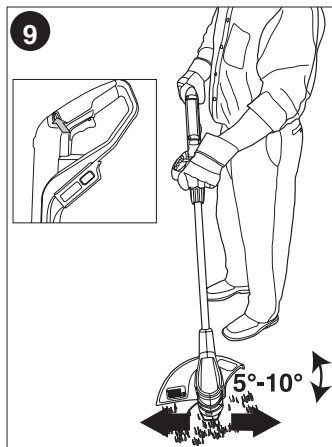
### ⚠ AVERTISSEMENT :

Toujours utiliser une protection oculaire appropriée conforme à la norme ANSI Z87.1 (CAN/CSA Z94.3) lors de l'utilisation de cet outil électrique.

**⚠ MISE EN GARDE :** Inspecter la zone qui sera taillée et retirer tout morceau de fil métallique, de corde ou d'objets similaires qui pourraient s'enchevêtrer dans le fil rotatif ou avec la bobine. Être spécialement attentif et éviter, sur le parcours de l'outil, tout fil métallique courbé vers l'extérieur comme les fils au pied d'une clôture à mailles losangées.

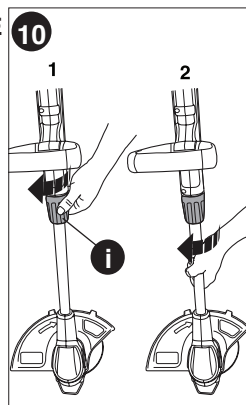
## MISE EN MARCHÉ ET ARRÊT

- Pour mettre en marche le taille-haies, déplacer le bouton de verrouillage (illustré en médaillon, **figure 9**) d'un côté ou de l'autre, puis appuyer sur la détente.
- Pour éteindre l'outil, relâcher le levier de déclenchement.
- Le moteur étant en marche, incliner l'appareil et balancer lentement le taille-bordure d'un côté à l'autre tel que l'indique la **figure 9**.



## CONVERTIR AU MODE COUPE-BORDURE

- Pour utiliser l'appareil comme coupe-bordure d'entretien, tourner le collier (i) comme l'indique la partie 1 de la **figure 10**.
- Tenir la tige de métal et tourner le boîtier inférieur de 180° comme l'illustre la partie 2.
- Tourner le collier (i) jusqu'à ce qu'il soit serré.



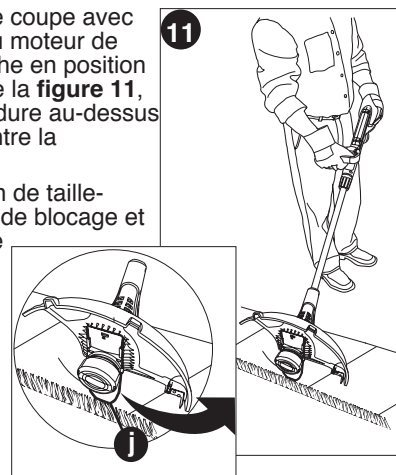
- Au besoin, tirer le guide de coupe avec fil métallique (j) du boîtier du moteur de manière à ce qu'il s'enclenche en position verrouillée comme le montre la **figure 11**, puis positionner le taille-bordure au-dessus de la surface comme le montre la **figure 11**.

- Pour retourner à la position de taille-bordure, desserrer le collier de blocage et tourner le boîtier inférieur de 180°.
- Tourner le collier jusqu'à ce qu'il soit serré. Lors de l'utilisation de l'outil, mettre le guide de coupe avec fil métallique dans sa position d'origine, hors du parcours.

**⚠ MISE EN GARDE :** Le guide de coupe avec fil métallique ne doit servir qu'en mode de coupe. Maintenir le guide de coupe avec fil métallique à la position rétractée lorsque l'outil est en mode de taillage.

## FIL TRANCHANT / AVANCE DU FIL

Votre taille-bordure utilise un fil de nylon ROND de 1,7 mm (0,065 po) de diamètre. En cours d'utilisation, les extrémités des fils de nylon s'effilochoeront et s'useront. La bobine spéciale à avance automatique de fil fournira et coupera automatiquement une nouvelle longueur de fil. Le fil tranchant s'usera plus rapidement et exigera une plus grande quantité de fil si la coupe ou le taillage s'effectue le long de trottoirs ou d'autres surfaces abrasives ou si des broussailles épaisses sont coupées. Le mécanisme évolué d'alimentation automatisée du fil perçoit la demande accrue de fil, fournit et coupe la bonne longueur de fil dès qu'elle est nécessaire. **NE PAS FRAPPER** l'appareil sur le sol pour alimenter l'appareil ou pour toute autre raison.



## ACCESSOIRES DE RECHANGE

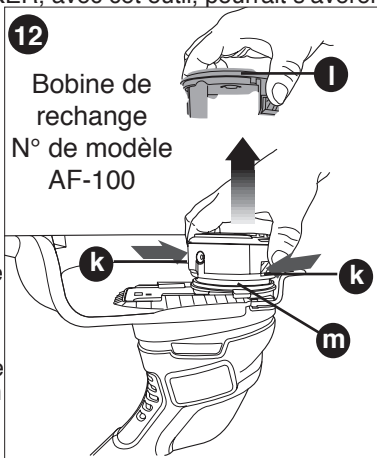
**⚠ MISE EN GARDE :** Avant de procéder au taillage, s'assurer d'utiliser uniquement le type de fil de coupe adéquat. Utiliser la bobine de rechange modèle AF-100 de BLACK+DECKER. Recharger le fil de nylon (en vrac ou pré-enroulé sur la bobine de rechange) selon les directives de ce mode d'emploi.

- UTILISER UNIQUEMENT UN FIL EN NYLON ROND DE 1,7 mm (0,065 po) DE DIAMÈTRE. Ne pas utiliser de fil dentelé ou de plus gros calibre, car ces fils surchargeront le moteur et provoqueront une surchauffe. Ce fil est disponible auprès de votre détaillant local ou de votre centre de réparation autorisé.
- D'autres pièces de rechange (pare-mains, couvercles de bobine, etc.) sont offertes aux centres de réparation BLACK+DECKER. Pour trouver le centre de réparation de votre région, composer le : **1-800-544-6986** ou consulter [www.blackanddecker.com](http://www.blackanddecker.com).

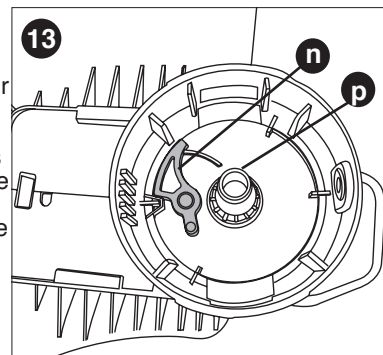
**⚠ AVERTISSEMENT :** L'utilisation de tout accessoire non recommandé par BLACK+DECKER, avec cet outil, pourrait s'avérer dangereuse.

### REEMPLACER LA BOBINE (FIGURES 12, 13, 14)

- Retirer la pile de l'outil.
- Enfoncer les languettes (k) et retirer le couvercle de la bobine (l) du boîtier de la bobine (m) logé dans la tête du taille-bordure (figure 12).
- Pour obtenir des résultats optimaux, remplacer la bobine par une bobine de modèle AF-100 de BLACK+DECKER.
- Tenir la bobine vide d'une main et le boîtier de bobine de l'autre, puis sortir la bobine en tirant dessus.

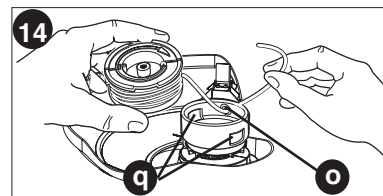


- Si le levier (n) (figure 13) situé à la base du boîtier se détache, le remettre à la bonne position avant d'insérer la bobine neuve dans le boîtier.
- Retirer l'herbe et les saletés présentes dans la bobine et le boîtier.
- Détacher l'extrémité du fil de coupe et le faire passer dans l'œillet (o), figure 14.
- Prendre la bobine neuve et l'enfoncer sur la saillie (p) (figure 13) du boîtier. Faire pivoter légèrement la bobine jusqu'à ce qu'elle soit bien installée.



- Le fil doit sortir d'environ 136 mm (5 3/8 po) du boîtier.
- Aligner les languettes du couvercle de la bobine sur les encoches (q) du boîtier (figure 14).
- Enfoncer le couvercle sur le boîtier de manière à ce qu'il s'enclenche bien en place.

**MISE EN GARDE :** Pour éviter d'endommager l'outil, si le fil dépasse la lame de coupe, le couper de façon à ce qu'il atteigne seulement la lame.



### REBOBINAGE DE LA BOBINE AVEC DU FIL EN VRAC (UTILISER UNIQUEMENT UN FIL ROND DE 1,7 MM (0,065 PO) DE DIAMÈTRE) (FIGURES 15, 16, 17)

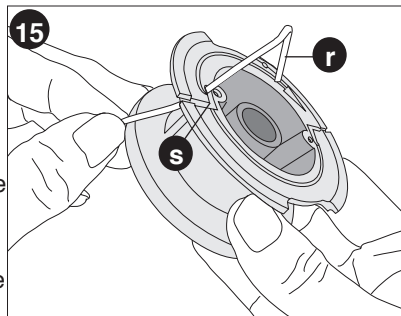
Le fil en vrac est également offert par les détaillants locaux.

**REMARQUE :** Le fil en vrac des bobines enroulées à la main est susceptible de s'enchevêtrer plus souvent que le fil des bobines enroulées dans une usine BLACK+DECKER. Pour obtenir des résultats optimaux, il est recommandé d'utiliser des bobines embobinées à l'usine.

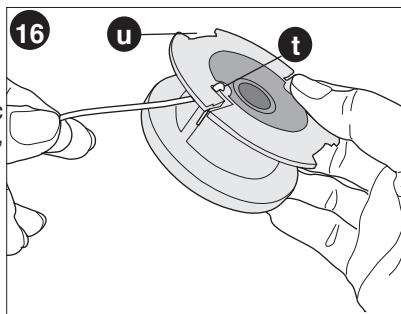


Suivre les étapes ci-dessous pour installer du fil en vrac :

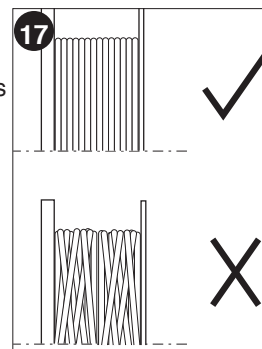
- Retirer la pile de l'outil.
- Retirer la bobine vide de l'outil comme le décrit la section « **REPLACER LA BOBINE** ».
- Retirer tout le reste de fil de coupe de la bobine.
- Replier l'extrémité du fil de coupe d'environ 19 mm (3/4 po) (r). Insérer le fil de coupe dans l'une des encoches d'ancrage (s) comme le montre la **figure 15**.



- Insérer l'extrémité de 19 mm (3/4 po) du fil en vrac dans l'orifice (t) de la bobine, juste à côté de l'encoche comme le montre la **figure 16**.



- Enrouler le fil de coupe sur la bobine dans le sens indiqué par la flèche inscrite sur la bobine. Prendre soin d'enrouler le fil de façon nette et ordonnée par couches successives. Ne pas croiser le fil (**figure 17**).
- Couper le fil enroulé lorsqu'il atteint les encoches (u. (**figure 16**)).
- Ajuster la bobine sur l'outil comme le décrit la section « **REPLACER LA BOBINE** ».



### LE SCEAU SRPRC<sup>MC</sup>

Le sceau SRPRC<sup>MC</sup> (Société de recyclage des piles rechargeables) sur la pile au lithium-ion (ou sur le bloc-piles) indique que son coût de recyclage (ou celui du bloc-piles) à la fin de sa vie utile est déjà payé par

**BLACK+DECKER**.

La SRPRC<sup>MC</sup>, en collaboration avec **BLACK+DECKER** et d'autres utilisateurs de piles, a établi aux États-Unis des programmes facilitant le ramassage des piles au LI-ION épuisées. Aidez-nous à protéger l'environnement et à conserver nos ressources naturelles en retournant les piles LI-ION épuisées à un centre de réparation **BLACK+DECKER** ou au détaillant de votre région pour qu'elles soient recyclées. Vous pouvez aussi communiquer avec le centre de recyclage de votre région pour obtenir des informations sur l'endroit où éliminer vos piles épuisées. SRPRC<sup>MC</sup> est une marque de commerce déposée de la Société de recyclage des piles rechargeables.



## ENTRETIEN

**⚠️ AVERTISSEMENT :** Pour éviter des blessures graves, éteindre et débrancher l'outil avant d'effectuer toute opération d'entretien.

1. Maintenir les orifices de ventilation dégagés pour éviter la surchauffe.
2. Votre fil rotatif peut sécher avec le temps. Pour tenir votre fil en excellente condition, entreposer les bobines de relai de

fil pré-enroulé ou le fil en vrac dans un sac en plastique scellé contenant l'équivalent d'une cuillerée d'eau.

3. Les pièces en plastique se nettoient avec un savon doux et un chiffon humide.
4. Le coupe-fil sur le bord du dispositif de protection peut s'érousser avec le temps. Il est recommandé de s'assurer régulièrement que la lame est bien tranchante en utilisant une lime.

**IMPORTANT** : Pour garantir la SÉCURITÉ et la FIABILITÉ du produit, les réparations, l'entretien et le réglage doivent être réalisés par un centre de réparation autorisé ou tout autre centre de réparation professionnel, et des pièces de rechange identiques doivent être utilisées.

## DÉPANNAGE

### L'OUTIL FONCTIONNE LENTEMENT

- Retirer la pile de l'outil.
- Vérifier que le boîtier de la bobine peut tourner librement. Le nettoyer avec précaution si nécessaire.
- S'assurer que le fil de coupe sort d'au plus 136 mm (5 3/8 po) de la bobine. Le cas échéant, le couper afin que sa longueur atteigne juste la lame de coupe pour le fil.

### L'ALIMENTATION AUTOMATIQUE NE FONCTIONNE PAS

- Retirer la pile de l'outil.
- Enlever le capuchon de la bobine.
- Tirer sur le fil de coupe de manière à ce qu'il sorte d'environ 136 mm (5 3/8 po) de la bobine. Si la longueur de fil restant sur la bobine est insuffisante, installer une nouvelle bobine de fil.
- S'assurer que le fil n'est pas entrecroisé sur la bobine comme l'illustre le **figure 17**. Si c'est le cas, dérouler le fil de coupe, puis l'enrouler de nouveau sur la bobine de façon ordonnée, de manière à ne pas entrecroiser les fils.
- Aligner les languettes, logées sur le couvercle de la bobine, sur les fentes pratiquées dans le boîtier.
- Enfoncer la bobine sur le boîtier de manière à ce qu'elle s'enclenche bien en place.
- Si le fil de coupe dépasse la lame de coupe, le couper de façon à ce qu'il atteigne seulement la lame. Si l'alimentation

automatique de fil ne fonctionne toujours pas ou si la bobine se bloque, procéder comme suit :

- Nettoyer avec précaution la bobine et son boîtier.
- Retirer la bobine, puis vérifier si le levier, situé dans le boîtier de la bobine, peut se déplacer librement.
- Retirer la bobine et dérouler le fil de coupe, puis l'enrouler à nouveau de façon ordonnée. Remettre la bobine dans le boîtier.

## ACCESSOIRES

**⚠ AVERTISSEMENT** : NE PAS utiliser le taille-haie avec un accessoire. Une telle utilisation peut être dangereuse.

## INFORMATION SUR LES RÉPARATIONS

Tous les centres de réparation BLACK+DECKER sont dotés de personnel qualifié en matière d'outillage électrique; ils sont donc en mesure d'offrir à leur clientèle un service efficace et fiable. Que ce soit pour un avis technique, une réparation ou des pièces de rechange authentiques installées en usine, communiquer avec l'établissement BLACK+DECKER le plus près de chez vous. Pour trouver l'établissement de réparation de votre région ou composer le numéro suivant : 1 800 544-6986 ou consulter le site [www.blackanddecker.com](http://www.blackanddecker.com)

Cet appareil est conforme aux dispositions du paragraphe 15 des règlements de la FCC. Son fonctionnement est régi par les deux conditions suivantes : (1) Cet appareil ne peut pas causer d'interférence nuisible et (2) cet appareil doit accepter toutes les interférences reçues, y compris celles qui risquent d'en gêner le fonctionnement.

**RÉMARQUE** : ce matériel a été testé et a été déclaré conforme aux limites en vigueur concernant les dispositifs numériques de classe B, en vertu de la partie 15 de la réglementation FCC. Ces limites visent à assurer une protection raisonnable contre tout brouillage nuisible dans une installation résidentielle. Ce matériel produit, consomme et peut émettre une énergie de radiofréquence et, s'il n'est pas installé et utilisé conformément aux directives qui l'accompagnent, il peut entraîner un brouillage nuisible des communications radio. Cependant, nous ne garantissons pas l'absence de brouillage dans tous les types d'environnement. Si,

après avoir effectué une vérification en mettant l'appareil hors tension puis sous tension, l'utilisateur s'aperçoit que ce matériel provoque un brouillage nuisible à la réception des signaux de radio ou de télévision, il lui faudra essayer de corriger ce brouillage en prenant une ou plusieurs des mesures ci-dessous :

- Réorienter ou repositionner l'antenne de réception.
- Éloigner le plus possible le matériel du récepteur.
- Brancher le matériel dans une prise électrique située sur un circuit différent de celui du récepteur.
- Consulter le distributeur ou un technicien radio/télévision expérimenté pour obtenir de l'aide.

Tout changement ou toute modification à cet appareil qui n'est pas expressément approuvé par l'institution responsable de la conformité peut faire annuler le droit de l'utilisateur d'utiliser ce matériel. Cet appareil numérique de la classe B est conforme à la norme NMB-003 du Canada.

## **GARANTIE LIMITÉE DE DEUX ANS**

Black & Decker (É.-U.) Inc. garantit que le produit est exempt de défauts de matériau et de fabrication pendant deux(2) ans à partir de la date d'achat, à condition que le produit soit utilisé en milieu domestique. La présente garantie limitée ne couvre pas les défaillances provoquées par un abus, un dommage accidentel ou des réparations ou tentatives de réparations effectuées par toute autre personne que le personnel de BLACK+DECKER et de ses centres de réparation agréés. Un produit défectueux qui remplit les conditions stipulées par la présente garantie sera remplacé ou réparé sans frais d'une des deux façons suivantes :

La première façon consiste en un échange chez le détaillant où le produit a été acheté (à la condition que le magasin soit un détaillant participant). Tout retour doit se faire durant la période correspondant à la politique d'échange du détaillant. Une preuve d'achat peut être requise. Prière de vérifier la politique de retour du détaillant au sujet des délais impartis pour les retours ou les échanges.

La deuxième option est d'apporter ou d'envoyer le produit (en port payé) à un centre de réparation agréé ou à un centre de réparation BLACK+DECKER pour faire réparer ou échanger le produit, à la

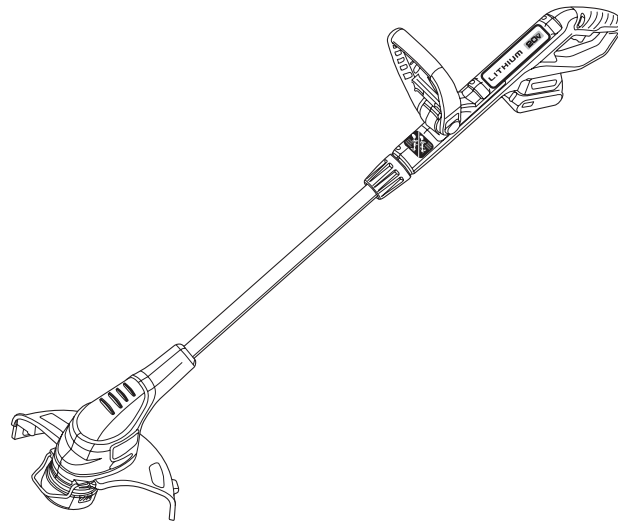
discrétion de BLACK+DECKER. Une preuve d'achat peut être requise. Les centres de réparation de BLACK+DECKER et les centres de réparation agréés en ligne sur [www.blackanddecker.com](http://www.blackanddecker.com). Cette garantie ne s'applique pas aux accessoires. Cette garantie accorde des droits légaux propres au propriétaire de l'outil. Ce dernier pourrait avoir d'autres droits selon l'État ou la province qu'il habite. Pour toute question, communiquer avec le directeur du centre de réparation BLACK+DECKER le plus près. Ce produit n'est pas destiné à un usage commercial. L'usage commercial de ce produit annule par conséquent cette garantie. Toutes autres garanties, expresse ou implicites, sont déclinées par la présente.

Imported by / Importé par  
BLACK+DECKER Canada Inc.  
100 Central Ave.  
Brockville (Ontario) K6V 5W6

# BLACK+ DECKER™

## DE PODADORA / BORDEADORA (20V MAX\*) MANUAL DE INSTRUCCIONES

MODELO N°  
LST220



### INFORMACION CLAVE QUE DEBE SABER:

- El protector debe instalarse antes de podar o bordear. De lo contrario, el motor se sobrecalentará.
- Al reemplazar la cuerda, utilice sólo una cuerda REDONDA de 1,7 mm (0,065 pulgada) de diámetro (Se recomienda el modelo N° AF-100 de B+D). De lo contrario, la unidad no funcionará correctamente.
- No golpee el cabezal de alimentación contra el piso. Esto interrumpirá el mecanismo de alimentación.

### GRACIAS POR ELEGIR BLACK+DECKER!

### LEA EL MANUAL ANTES DE DEVOLVER ESTE PRODUCTO POR CUALQUIER MOTIVO:

Si tiene una consulta o algún inconveniente con su producto BLACK+DECKER, visite <http://www.blackanddecker.com/instantanswers> para obtener respuestas instantáneas las 24 horas del día. Si no encuentra la respuesta o no tiene acceso a Internet, llame al 1-800-544-6986 de lunes a viernes de 8 a. m. a 5 p. m. hora del Este para hablar con un agente. Cuando llame, tenga a mano el número de catálogo.

### CONSERVE ESTE MANUAL PARA FUTURAS CONSULTAS. SÓLO PARA USO DOMÉSTICO.

\*El máximo voltaje inicial del paquete de baterías (medido sin una carga de trabajo) es 20 voltios. La tensión nominal es de 18.

Visite [www.BlackandDecker.com/NewOwner](http://www.BlackandDecker.com/NewOwner) para registrar su nuevo producto.

## PAUTAS DE SEGURIDAD/DEFINICIONES

Es importante que lea y comprenda este manual. La información que contiene se relaciona con la protección de SU SEGURIDAD y la PREVENCIÓN DE PROBLEMAS. Los símbolos que siguen se utilizan para ayudarlo a reconocer esta información.

**⚠ PELIGRO:** indica una situación de peligro inminente que, si no se evita, provocará la muerte o lesiones graves.

**⚠ ADVERTENCIA:** indica una situación de peligro potencial que, si no se evita, provocará la muerte o lesiones graves.

**⚠ PRECAUCIÓN:** indica una situación de peligro potencial que, si no se evita, provocará lesiones leves o moderadas.

**AVISO:** utilizado sin el símbolo de alerta de seguridad indica una situación de peligro potencial que, si no se evita, puede provocar daños en la propiedad.

**⚠ ADVERTENCIA:** Al utilizar herramientas eléctricas para el jardín, siempre se deben tomar ciertas precauciones básicas de seguridad para minimizar el riesgo de incendio, descarga eléctrica y lesiones personales, entre ellas:

### ADVERTENCIAS E INSTRUCCIONES IMPORTANTES SOBRE SEGURIDAD REDUCIR EL RIESGO DE LESIONES:

- Antes de usar, asegúrese de que todos los usuarios de esta herramienta lea y comprenda todas las instrucciones y advertencias de seguridad incluidas en este manual.
- Guarde estas instrucciones y revíselas con frecuencia antes de usar el aparato o para instruir a otros.

**⚠ PRECAUCIÓN:** El no cumplir con las recomendaciones descritas en la sección información importante sin efecto la garantía.

**⚠ ADVERTENCIA:** Parte del polvo generado por este producto contiene sustancias químicas reconocidas por el Estado de California como causantes de cáncer, defectos congénitos u otros problemas reproductivos. Algunos ejemplos de estas sustancias químicas:

- compuestos en los fertilizantes
- compuestos en los insecticidas, herbicidas y pesticidas
- arsénico y cromo de la madera con tratamiento químico

Para reducir su exposición a estas sustancias químicas, utilice el equipo de seguridad aprobado, como máscaras para polvo especialmente diseñadas para filtrar partículas microscópicas.

**⚠ ADVERTENCIA:** USE SIEMPRE LENTES DE SEGURIDAD. Los anteojos de uso diario NO son lentes de seguridad. Utilice también máscaras faciales o para polvo si el corte produce polvillo. UTILICE SIEMPRE EQUIPOS DE SEGURIDAD CERTIFICADOS:

- Protección para los ojos según la norma ANSI Z87.1 (CAN/CSA Z94.3)
- Protección auditiva según la norma ANSI S12.6 (S3.19)
- Protección respiratoria según las normas NIOSH/OSHA/MSHA

**⚠ ADVERTENCIA:** Siempre use protección auditiva adecuada cumple ANSI S12.6 (S3.19) durante el uso. Bajo ciertas condiciones de duración de uso, el ruido de este producto puede contribuir a la pérdida auditiva.

### LEA TODAS LAS INSTRUCCIONES

- **SIEMPRE UTILICE PROTECCIÓN PARA LOS OJOS:** utilice gafas o anteojos de seguridad en todo momento que esta herramienta esté enchufada.
- **PROTECTOR:** nunca utilice esta herramienta sin el protector.
- **UTILICE LA VESTIMENTA ADECUADA:** no utilice ropa holgada ni joyas. Pueden atascarse en las piezas móviles. Se recomienda utilizar guantes de goma y calzado con una suela de goma considerable al trabajar al aire libre. No opere la herramienta descalzo ni con sandalias abiertas. Utilice pantalones largos para protegerse las piernas. Recójase y cubra el cabello largo.
- **CUERDA DE NYLON:** mantenga la cara, las manos y los pies lejos de la cuerda de nylon giratoria en todo momento.
- **LA CUERDA GIRATORIA REALIZA UNA FUNCIÓN DE CORTE:** tenga precaución al podar alrededor de pantallas y plantas que desea.
- **MANTENGA ALEJADOS A TODOS LOS ESPECTADORES:** a una distancia segura, especialmente a los niños.
- **ADVERTENCIA IMPORTANTE:** al utilizar la herramienta como

Bordeadora, las piedras, las piezas de metal y otros objetos pueden ser arrojados a alta velocidad por la acción de la cuerda. La herramienta y el protector están diseñados para reducir el peligro. No obstante, se deben tener en cuenta las siguientes precauciones especiales:

- **ASEGÚRESE** de que las demás personas y mascotas estén a no menos de 30 m (100 pies) de distancia.
- **PARA REDUCIR EL RIESGO** de lesiones por repercusión (rebote), trabaje lejos de cualquier objeto sólido cercano, como pared, escalones, piedras grandes, árboles, etc. Tenga suma precaución al trabajar cerca de objetos sólidos y, cuando sea necesario, pade o recorte los bordes en forma manual.
- **EVITE EL ARRANQUE ACCIDENTAL:** nunca transporte la herramienta enchufada con el dedo en el interruptor.
- **NO FUERCE LA HERRAMIENTA:** a una velocidad más rápida de la velocidad para la que fue diseñada para cortar en forma eficaz.
- **UTILICE LA HERRAMIENTA ADECUADA:** no utilice esta herramienta para un trabajo diferente a aquéllos para los que fue diseñada.
- **NO SE ESTIRE:** conserve el equilibrio adecuado y manténgase parado correctamente en todo momento.
- **SE DEBE CONTAR CON LA PROTECCIÓN DE UN INTERRUPTOR DE CORTE POR FALLA A TIERRA** (GFCI, por sus siglas en inglés) en el o los circuitos o tomacorrientes que se utilizarán para el aparato. Existen receptáculos disponibles con protección GFCI incorporada y pueden utilizarse para esta medida de seguridad.
- **NO MALTRATE EL CABLE:** nunca transporte el aparato sosteniéndolo por el cable ni tire de éste para desconectarlo del receptáculo. Mantenga el cable alejado del calor, el aceite y los bordes afilados.
- **PIEZAS DE REPUESTO:** al realizar el mantenimiento, utilice únicamente piezas de repuesto idénticas.
- **DAÑO A LA UNIDAD:** si golpea la herramienta o ésta se atasca con un objeto extraño, deténgala de inmediato, desenchúfela, verifique que no se haya dañado y repare cualquier daño antes de seguir utilizándola. No opere la herramienta si la bobina o el

carrete están dañados.

- **DESCONECTE LA HERRAMIENTA:** cuando no la utilice, al reemplazar la cuerda o antes de limpiarla.
- **EVITE LAS CONDICIONES AMBIENTALES PELIGROSAS:** no utilice herramientas eléctricas en lugares húmedos o mojados. Siga todas las instrucciones incluidas en este Manual de instrucciones para una operación adecuada de la herramienta. No utilice la herramienta bajo la lluvia.
- **NO OPERE** herramientas eléctricas portátiles en atmósferas gaseosas o explosivas. Los motores de estas herramientas normalmente chispean, y las chispas pueden encender los vapores.
- **GUARDE LAS HERRAMIENTAS QUE NO SE UTILICEN EN EL INTERIOR:** cuando no las utilice, las herramientas deben guardarse en un lugar seco, alto o bajo llave, fuera del alcance de los niños.
- **MANTÉNGASE ALERTA:** No haga funcionar esta unidad si está cansado, enfermo o bajo la influencia del alcohol, drogas o medicamentos.
- **CONSERVE LAS HERRAMIENTAS ADECUADAMENTE:** siga las instrucciones en la sección de mantenimiento. Mantenga los mangos secos, limpios y libres de aceite y grasas.
- **VERIFIQUE LAS PIEZAS AVERIADAS:** antes de volver a utilizar la herramienta, se debe controlar cualquier protección u otra pieza que esté averiada para determinar si funcionará correctamente y realizará la función para la que fue diseñada. Verifique la alineación y la sujeción de las piezas móviles, la rotura de piezas, el montaje y cualquier otra condición que pueda afectar el funcionamiento. Cualquier protección u otra pieza que esté dañada debe ser reparada correctamente o reemplazada por un centro de mantenimiento autorizado, a menos que este manual indique otra cosa.
  - NO sumerja la herramienta en agua ni la salpique con una manguera. NO permita que ningún líquido entre en ella.
  - NO guarde la herramienta sobre o cerca de fertilizantes o productos químicos.
  - NO limpie con una lavadora a presión.
  - Mantenga los protectores instalados adecuadamente y en funcionamiento.

- Mantenga las manos y los pies alejados del área de corte.

**⚠ ADVERTENCIA:** No utilice la herramienta si el gatillo interruptor no enciende o apaga la herramienta. Toda herramienta que no pueda controlarse mediante el gatillo interruptor es peligrosa y debe repararse.

## CONSERVE ESTAS INSTRUCCIONES

### Simbolos

La etiqueta de su herramienta puede incluir los siguientes símbolos.

V..... voltios	A..... amperios
Hz..... hertz	W..... vatios
min..... minutos	~ o AC..... corriente alterna
—= o DC... corriente directa	$n_0$ ..... velocidad sin carga
▣..... Construcción Class II	⊕..... terminal a tierra
⚠..... símbolo de alerta de seguridad	... / min..... revoluciones

por

minuto

- 📖 ..... Lea el manual de instrucciones antes del uso
- 👤 ..... Use protección adecuada para las vías respiratorias
- 👁 ..... Use protección adecuada para los ojos
- 👂 ..... Use protección adecuada para los oídos

## INSTRUCCIONES DE SEGURIDAD IMPORTANTES PARA LOS CARGADORES DE BATERÍAS

**CONSERVE ESTAS INSTRUCCIONES:** Este manual contiene instrucciones de seguridad importantes para los cargadores de baterías.

- Antes de utilizar el cargador, lea todas las instrucciones y las prevenciones en el cargador, en el paquete de baterías y en el producto que utiliza el paquete de baterías.

**⚠ ADVERTENCIA: Riesgo de descarga eléctrica.** No permita que ningún líquido entre en el cargador.

**⚠ PRECAUCIÓN: Riesgo de quemaduras.** Para reducir el riesgo de lesiones, cargue solamente baterías **BLACK+DECKER**. Otros tipos de baterías pueden estallar y provocar daños personales y materiales.

**⚠ PRECAUCIÓN:** En determinadas circunstancias, con el

cargador enchufado en el tomacorriente, algunos materiales extraños pueden provocar un cortocircuito en el cargador. Se deben mantener lejos de las cavidades del cargador los materiales extraños de naturaleza conductora, entre los que se incluyen la lana de acero, el papel de aluminio o cualquier acumulación de partículas metálicas. Éstos son sólo algunos ejemplos y no constituyen una lista taxativa. Siempre desenchufe el cargador del tomacorriente cuando no haya un paquete de baterías en la cavidad. Desenchufe el cargador antes de intentar limpiarlo.

- **NO intente cargar el paquete de baterías con otros cargadores que no sean de la marca. Los cargadores y los paquetes de baterías están diseñados específicamente para trabajar juntos.**
- **Estos cargadores están diseñados para utilizarse exclusivamente con las baterías recargables BLACK+DECKER designadas. Otros usos pueden provocar riesgo de incendio, descarga eléctrica o electrocución.**
- **No exponga el cargador a la lluvia ni a la nieve.**
- **Para desconectar el cargador o los cables para cadena de margarita, tire del enchufe en lugar del cable. Esto reducirá el riesgo de dañar el enchufe o el cable.**
- **Asegúrese de que el cable esté ubicado de modo que no lo pise o se tropiece con él y que no esté sujeto a daños o tensiones de alguna otra forma.**
- **No utilice un cable prolongador a menos que sea absolutamente necesario. El uso de un cable prolongador incorrecto puede provocar riesgo de incendio, descarga eléctrica o electrocución.**
- **No coloque objetos en la parte superior del cargador ni coloque el cargador en una superficie blanda que pueda bloquear las ranuras de ventilación y provocar un calor interno excesivo. Coloque el cargador en una posición alejada de cualquier fuente de calor.** El cargador se ventila a través de ranuras en la parte superior e inferior de la cubierta.
- **No monte el cargador en la pared ni lo instale en forma permanente sobre ninguna superficie.** El cargador está diseñado para ser utilizado sobre una superficie plana y estable (p. ej., un banco o una mesa).
- **No opere el cargador con cables o enchufes dañados: reemplácelos de inmediato.**

- **No opere el cargador si éste ha recibido un golpe fuerte, se ha caído, o se ha dañado de cualquier otra manera. Llévelo a un centro de mantenimiento autorizado.**
- **Para garantizar la seguridad, un cable prolongador debe tener un tamaño de cable adecuado (AWG o Calibre de conductor de Estados Unidos). Cuanto más pequeño sea el número de calibre del conductor, mayor será la capacidad del cable; es decir, un calibre 16 tiene más capacidad que un calibre 18. Cuando se utiliza más de una prolongación para lograr la longitud total, asegúrese de**

Volts	Calibre mínimo para cables de extensión			
	Longitud total del cable en pies			
120V	0-25	26-50	51-100	101-150
	(0-7,6m)	(7,6-15,2m)	(15,2-30,4m)	(30,4-45,7m)
240V	0-50	51-100	101-200	201-300
	(0-15,2m)	(15,2-30,4m)	(30,4-60,9m)	(60,9-91,4m)
Amperaje				American Wire Gage
	Más de	No más de		
0	- 6	18	16	16 14
6	- 10	18	16	14 12
10	- 12	16	16	14 12
12	- 16	14	12	No se recomienda

que cada prolongación tenga la medida mínima del conductor.

- **No desarme el cargador; llévelo a un centro de mantenimiento autorizado cuando se requiera mantenimiento o una reparación. El armado incorrecto puede implicar un riesgo de descarga eléctrica, electrocución o incendio.**
- **Antes de limpiarlo, desconecte el cargador del tomacorriente.** Esto reducirá el riesgo de descarga eléctrica. Quitar el paquete de baterías no reducirá este riesgo.
- **NUNCA intente conectar 2 cargadores juntos.**
- **El cargador está diseñado para operar con corriente eléctrica doméstica estándar (120 voltios). No intente utilizarlo con otro voltaje.**

## ⚠ INSTRUCCIONES IMPORTANTES DE SEGURIDAD PARA LOS PAQUETES DE BATERÍAS

⚠ **ADVERTENCIA:** Para un funcionamiento seguro, lea éste

y todos los manuales de instrucciones incluidos con la herramienta antes de usar el cargador.

El paquete de baterías incluido en la caja no está completamente cargado. Antes de utilizar el paquete de baterías y el cargador, lea las instrucciones de seguridad a continuación. Luego, siga los procedimientos de carga descritos.

## LEA TODAS LAS INSTRUCCIONES

- **No incinere el paquete de baterías, aun si tiene daños importantes o está completamente desgastado. El paquete de baterías puede explotar en el fuego. Cuando se queman los paquetes de baterías, se generan vapores y materiales tóxicos.**
- **No cargue ni use la batería en atmósferas explosivas, como ambientes en los que hay líquidos, gases o polvo inflamables. Insertar o retirar la batería del cargador puede encender el polvo o los vapores.**
- **Si el contenido de las baterías entra en contacto con la piel, lave el área de inmediato con agua y jabón suave. Si el líquido de la batería entra en contacto con los ojos, enjuague con agua manteniendo los ojos abiertos durante 15 minutos o hasta que la irritación cese. Si se necesita atención médica, el electrolito de las baterías de iones de litio contiene una mezcla de carbonatos orgánicos líquidos y sales de litio.**
- **El contenido de las células de la batería abierta puede causar irritación respiratoria. Respire aire fresco. Si los síntomas persisten, busque atención médica.**
- **⚠ ADVERTENCIA: Riesgo de quemaduras. El líquido de la batería puede encenderse si se expone a chispas o llamas.**
- **Cargue los paquetes de baterías solamente en cargadores BLACK+DECKER.**
- **NO salpique ni sumerja en agua u otros líquidos. Esto puede causar una falla prematura de las células.**
- **No almacene ni utilice la herramienta y el paquete de baterías en lugares en los que la temperatura pueda alcanzar o superar los 40 °C (105 °F) (como en toldos al aire libre o construcciones de metal en verano).**
- **⚠ ADVERTENCIA: Nunca intente abrir el paquete de baterías**



por ningún motivo. Si la caja del paquete de baterías está agrietada o dañada, no la introduzca en el cargador. No comprima, deje caer ni dañe el paquete de baterías. No utilice un paquete de baterías o un cargador que haya recibido un golpe fuerte, se haya caído, esté agotado o dañado de alguna forma (por ejemplo, perforado con un clavo, golpeado con un martillo, pisado). Los paquetes de baterías dañados deben devolverse al centro de mantenimiento para su reciclado.

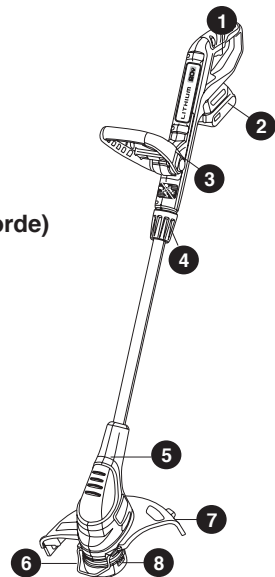
**⚠ ADVERTENCIA: Riesgo de incendio. No guarde o transporte la batería de ninguna manera que permita que los terminales expuestos de la batería entren en contacto con objetos metálicos.** Por ejemplo, no coloque la batería en delanteles, bolsillos, cajas de herramientas, cajas de juegos de productos, cajones, con clavos, tornillos, llaves sueltos, etc. **Transportar baterías puede provocar incendios si los terminales de la batería entran en contacto accidentalmente con materiales conductores como llaves, monedas, herramientas manuales y similares. Las Normas para Materiales Peligrosos del Departamento de Transporte de los EE.UU. (HMR) concretamente prohíben transportar baterías comercialmente o en aviones (es decir, empacadas en maletas y equipaje de mano) A MENOS que estén debidamente protegidas de cortocircuitos.** Por lo tanto, cuando transporte baterías individuales, asegúrese de que los terminales de la batería estén protegidos y bien aislados de materiales que puedan hacer contacto y causar un cortocircuito. **NOTA:** Las baterías de IONES DE LITIO no deben guardarse en el equipaje que se despacha.

#### RECOMENDACIONES CON RESPECTO AL ALMACENAMIENTO

1. El mejor lugar de almacenamiento es uno que sea fresco y seco fuera de la luz solar directa y de un exceso de calor o frío.
2. El almacenamiento prolongado no dañará el paquete de baterías o el cargador, siempre y cuando la batería no esté completamente descargada.

## COMPONENTES

1. Interruptor
2. Batería
3. Mango auxiliar
4. Anillo (para ajustar la altura y el borde)
5. Cubierta del motor
6. Guía de borde
7. Protector
8. Carrete



Este producto es compatible con todas las baterías y los cargadores detallados en el siguiente cuadro.

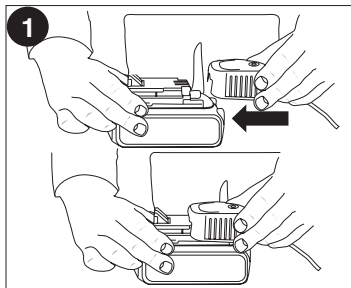
#### Cargadores y paquetes de baterías de LI-ION

Descripción	N.º de cat.
Batería: LI-ION	LBX20 LBXR20 LBXR2020 LB2X4020
Cargador: LI-ION	LCS1620 L2AFCBST L2AFC

## PROCEDIMIENTO DE CARGA

El cargador estándar suministrado carga una batería totalmente descargada en 4 horas.

1. Enchufe el cargador en un tomacorriente adecuado antes de insertar el paquete de baterías.
2. Introduzca el paquete de baterías en el cargador como se muestra en la **figura 1**.
3. El indicador LED verde destellará indicando que la batería se está cargando.
4. La batería está completamente cargada cuando el indicador LED verde permanece encendido continuamente. El paquete está completamente cargado y puede utilizarse en este momento o dejarse en el cargador.



**Después del uso, recargue las baterías descargadas a la brevedad posible o de lo contrario la vida útil de las baterías podría acortarse en gran medida.**

### DEJAR EL PAQUETE DE BATERÍAS EN EL CARGADOR

El cargador y el paquete de baterías se pueden dejar conectados con la luz verde encendida indefinidamente. El cargador mantendrá el paquete de baterías como nuevo y completamente cargado.

### NOTAS IMPORTANTES SOBRE LA CARGA

1. Se puede obtener una mayor duración y óptimo rendimiento si se carga el paquete de baterías cuando la temperatura del aire está entre los 16°C y los 27°C (60°F y 80°F). NO cargue el paquete de batería con una temperatura ambiental por debajo de +4,5 °C (+40 °F) o por encima de +40,5 °C (+105 °F). Esto es importante y evitará daños graves en el paquete de baterías.
2. El cargador y el paquete de baterías pueden estar calientes al tacto durante la carga. Esto es una condición normal y no indica un problema. Para facilitar el enfriado del paquete de baterías después de su uso, evite colocar el cargador o el paquete de baterías en

un ambiente cálido, como debajo de un toldo de metal o en un remolque sin aislamiento.

3. Si el paquete de baterías no se carga adecuadamente:

- a. Revise el tomacorriente enchufando una lámpara u otro aparato
  - b. Verifique si el tomacorriente está conectado a un interruptor que corta la energía cuando usted apaga la luz.
  - c. Mueva el cargador y el paquete de baterías a un lugar donde la temperatura ambiental sea alrededor de 16 °C a 27 °C (60 °F a 80 °F).
  - d. Si los problemas de carga persisten, lleve la herramienta, el paquete de baterías y el cargador al centro de mantenimiento local.
4. Se debe recargar el paquete de baterías cuando no produce energía suficiente para tareas que previamente realizaba con facilidad. NO CONTINUE utilizando la herramienta en estas condiciones. Siga el procedimiento de carga. También se puede cargar un paquete de baterías parcialmente agotado cuando se desee, sin ningún efecto negativo sobre éstas.
5. Se deben mantener lejos de las cavidades del cargador los materiales extraños de naturaleza conductora, entre los que se incluyen la lana de acero, el papel de aluminio o cualquier acumulación de partículas metálicas. Siempre desenchufe el cargador del tomacorriente cuando no haya un paquete de baterías en la cavidad. Desenchufe el cargador antes de intentar limpiarlo.
6. No congele ni sumerja el cargador en agua ni en ningún otro líquido.

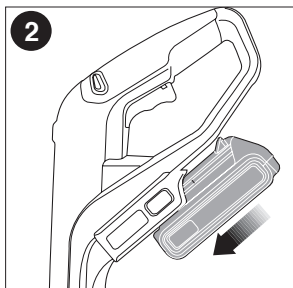
**⚠ADVERTENCIA: Riesgo de descarga eléctrica.** No permita que ningún líquido entre en el cargador. *Nunca intente abrir el paquete de baterías por ningún motivo. Si la cubierta protectora de plástico del paquete de baterías se rompe o agrieta, devuélvala a un centro de mantenimiento para su reciclado.*

### INSTALACIÓN Y RETIRO DEL PAQUETE DE BATERÍAS

**⚠ADVERTENCIA: Asegúrese de que el botón de bloqueo esté trabado para evitar el accionamiento del interruptor antes de extraer o instalar la batería.**

**PARA INSTALAR EL PAQUETE DE BATERÍAS:** Inserte el paquete de baterías en la herramienta hasta que esté completamente asentado y se oiga un clic (**figura 2**).

**PARA EXTRAER EL PAQUETE DE BATERÍAS:** Para extraer el paquete de baterías: Oprima el botón de liberación de la batería en la parte posterior del paquete de baterías y jale el paquete de baterías hacia fuera de la herramienta.



## ENSAMBLADO/ REGULACIONES

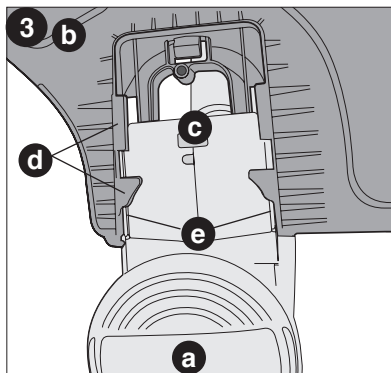
**HERRAMIENTAS QUE SE REQUIEREN PARA EL ENSAMBLAJE QUE NO ESTÁN PROVISTAS:**

- Destornillador Phillips

### INSTALACIÓN DEL PROTECTOR- FIGURA 3

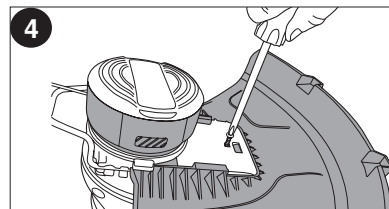
**⚠️ ADVERTENCIA:** DESENCHUFE LA HERRAMIENTA ANTES DE INSTALAR EL PROTECTOR, LA GUÍA DE BORDE O EL MANGO. NUNCA OPERE LA HERRAMIENTA SIN EL PROTECTOR ADECUADAMENTE INSTALADO. EL PROTECTOR SIEMPRE DEBE ESTAR INSTALADO EN LA HERRAMIENTA PARA PROTEGER AL USUARIO.

- Coloque la podadora boca abajo de manera que vea la tapa del carrete (a).
- Coloque el protector (b) boca abajo y deslícelo en la cubierta del motor (c). Asegúrese de que las lengüetas (d) del protector estén sujetas a las varillas (e) de la cubierta del motor como se muestra.
- Continúe deslizando el protector hasta que lo oiga



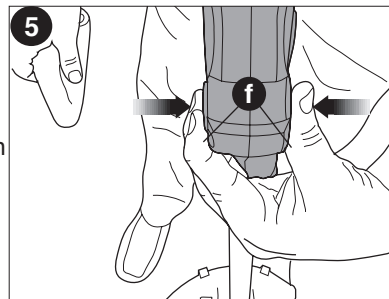
encajar en su lugar.

- Con un destornillador Phillips, inserte el destornillador del protector, como se muestra en la **figura 4** para completar el ensamblaje del protector.
- Una vez instalado el protector, retire la cubierta de la hoja de corte de la cuerda ubicada en el extremo del protector.

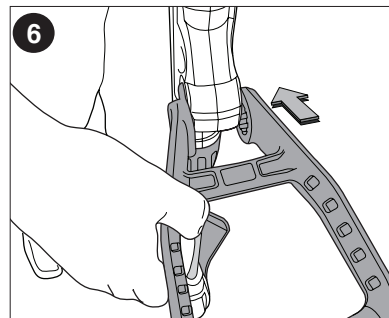


### COLOCACIÓN DEL MANGO AUXILIAR

- Para colocar el mango, presione los botones (f) de ambos lados de la cubierta superior como se muestra en la **figura 5**.



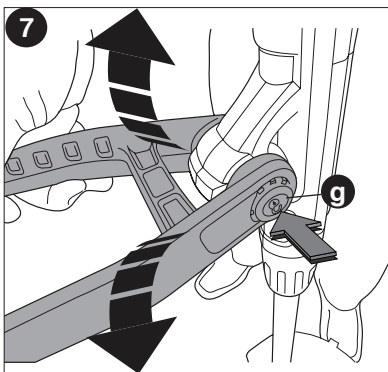
- Coloque el mango como se muestra en la **figura 6** (con el logotipo de BLACK+DECKER hacia arriba). Presione parcialmente el mango de manera que se retengan los botones cuando los suelta con su mano.



- Presione completamente el mango sobre la cubierta y muévalo ligeramente hasta que lo oiga encajar en su lugar **figura 7**.

- Para ajustar el mango hacia arriba o hacia abajo, presione el botón (g) y eleve o baje el mango.

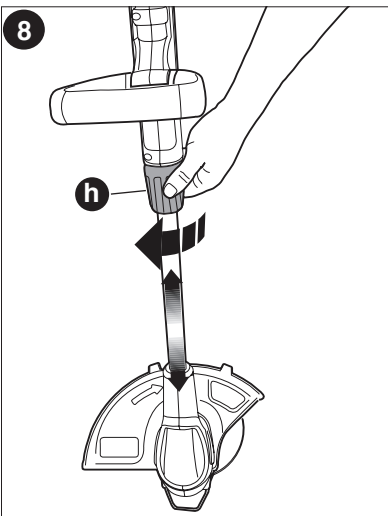
- El mango se debe ajustar de manera que el brazo delantero esté recto cuando la podadora esté en posición de trabajo.



#### AJUSTE DE ALTURA

- La altura total de la podadora se puede ajustar aflojando el anillo (h) y girándolo en la dirección de la flecha que se muestra en la **figura 8**.

- Mueva la cubierta superior en línea recta hacia arriba o hacia abajo. Al alcanzar la altura deseada, ajuste el anillo (h) girándolo en la dirección contraria a la que se muestra en la **figura 8**.



## INSTRUCCIONES DE OPERACIÓN

⚠ **ADVERTENCIA:** Utilice siempre protección adecuada para los ojos que cumple con la norma ANSI Z87.1 (CAN/CSA Z94.3) mientras opera esta herramienta.

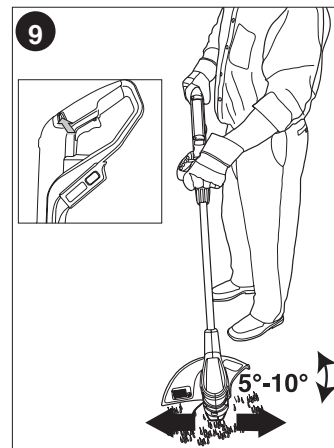
⚠ **PRECAUCIÓN:** Inspeccione el área por cortar y saque los alambres, cables u objetos similares a un cordel, que podrían enredarse en la cuerda giratoria o el carrete. Tenga especial precaución a fin de evitar cables que estén doblados hacia afuera del trayecto de la herramienta, como las púas en la base de un alambre de púas.

#### ENCENDIDO Y APAGADO

- Para encender la podadora, oprima el botón de bloqueo en apagado (como se muestra en el recuadro, **Figura 9**) de uno de los dos lados y luego oprima el interruptor disparador.

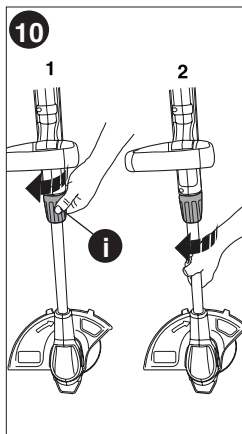
- Para apagar la herramienta, suelte la palanca del interruptor.

- Con la unidad encendida, gire lentamente la podadora en ángulos de lado a lado, como se muestra en la **figura 9**.



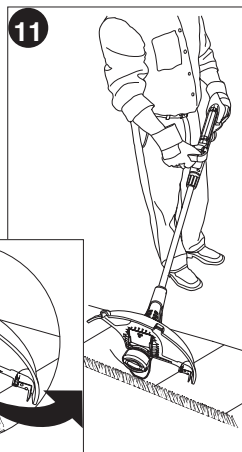
## CONVERSIÓN AL MODO DE BORDEADO

- Para operar como una bordeadora de mantenimiento, gire el anillo (i) como se muestra en la parte 1 de la **figura 10**.
- Sostenga el eje de metal y gire la cubierta inferior 180° como se muestra en la parte 2.
- Gire el anillo (i) hasta el final.

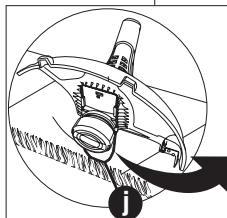


- Si lo desea, saque la guía del borde del cable (j) de la cubierta del motor hasta que emita un chasquido y se ajuste en la posición de bloqueo como se muestra en la **figura 11** y coloque la podadora encima de la superficie como se muestra en la **figura 11**.

- Para volver a la posición de podar, afloje el anillo de bloqueo y nuevamente gire de regreso la cubierta inferior 180°.
- Gire el collar hasta que quede ajustado. Al utilizar la herramienta, retraiga la guía del borde de alambre a la posición original, fuera del trayecto.



**⚠ PRECAUCIÓN:** La guía del borde de alambre debe utilizarse únicamente cuando está en modo de bordeado. Mantenga la guía del borde de alambre en la posición retraída.



## CUERDA DE CORTE/ALIMENTACIÓN DE LA CUERDA

Su podadora utiliza una cuerda de nailon **REDONDA de 1,7 mm (0,065 pulgada)** de diámetro. Durante el uso, las puntas de las cuerdas de nailon se deshilarán y desgastarán, y la bobina de la cuerda de alimentación especial se autoalimentará y recortará la cuerda automáticamente para proporcionar una punta nueva. La cuerda de corte se desgastará más rápido y necesitará más alimentación si el corte o el bordeado se realizan cerca de aperas u otras superficies abrasivas, o si se cortan malezas más espesas. El mecanismo avanzado de alimentación automática de la cuerda detecta cuándo se necesita más cuerda de corte y alimenta y corta la longitud correcta de cuerda según sea necesario. **NO GOLPEE** la unidad al intentar alimentar una cuerda ni por algún otro motivo.

## ACCESORIOS DE REPUESTO

**⚠ PRECAUCIÓN:** Antes de comenzar a podar, asegúrese de usar sólo el tipo apropiado de cuerda de corte.

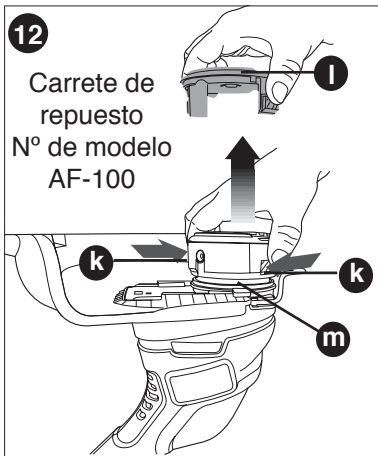
Utilice el carrete de repuesto de BLACK+DECKER modelo N° AF-100. Vuelva a cargar la cuerda de nailon (de paquete o el carrete de repuesto pre-enrollado) como se muestra en este manual.

- UTILICE SÓLO CUERDA REDONDA DE NYLON DE 1,7 mm (0,065 pulgada) DE DIÁMETRO. No utilice cuerdas dentadas o de mayor calibre ya que sobrecargarán el motor y provocarán sobrecalentamiento. Puede conseguir esta cuerda a través de su distribuidor local o centro de mantenimiento autorizado.
- Otras partes de repuesto (protectores, tapas de carrete, etc.) están disponibles en los centros de mantenimiento de BLACK+DECKER. Para averiguar la ubicación de su centro de mantenimiento local llame al: **1-800-544-6986** o visite **www.blackanddecker.com**

**⚠ ADVERTENCIA:** El uso de accesorios no recomendados por BLACK+DECKER para esta herramienta puede ser peligroso.

## REEMPLAZO DE CARRETES (FIGURAS 12,13,14)

- Extraiga la batería de la herramienta.
- Presione las lengüetas (k) y extraiga la tapa del carrete (l) de la cubierta del carrete (m) en el cabezal de la podadora (figura 12).



- Para obtener óptimos resultados, reemplace el carrete con el modelo N° AF-100 de BLACK+DECKER.
- Tome el carrete vacío con una mano y la cubierta del carrete con la otra, y extraiga el carrete.

- Si la palanca (n) (figura 13) de la base de la cubierta se desprende, vuélvala a poner en la posición correcta antes de insertar el nuevo carrete en la cubierta.

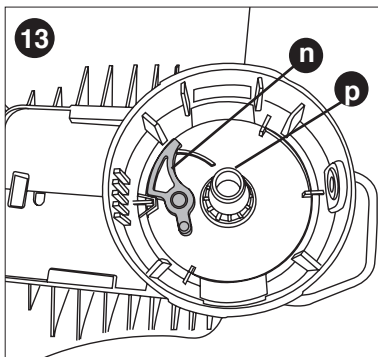
- Elimine cualquier resto de suciedad o césped en el carrete y la cubierta.

- Desate el extremo de la cuerda de corte y ponga la cuerda dentro de uno de los orificios (o) figura 14.

- Tome el carrete nuevo y empújelo sobre la parte saliente (p) (figura 13) de la cubierta. Gire el carrete ligeramente hasta que esté bien colocado.

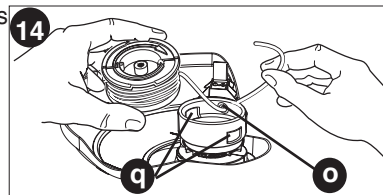
La cuerda debe extenderse aproximadamente 136 mm (5-3/8 pulgadas) afuera de la cubierta.

- Alinee las lengüetas de la



tapa del carrete con las ranuras (q) en la cubierta (figura 14).

- Empuje la tapa dentro de la cubierta hasta que encaje firmemente en su lugar.

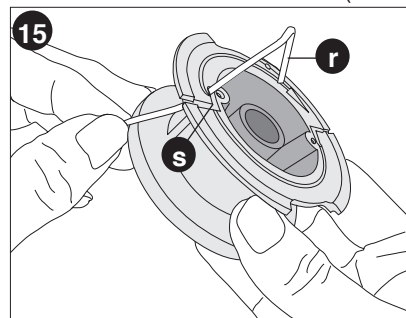


**PRECAUCIÓN:** Para evitar que se dañe la herramienta, si la cuerda de corte sobresale más allá de la hoja de corte, corte el excedente de manera que esté justamente a la altura de la hoja.

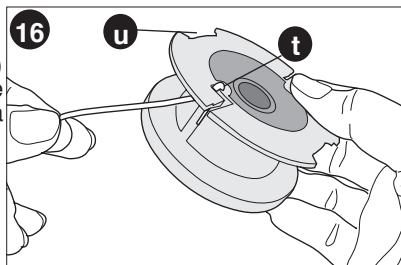
## ENROLLADO DEL CARRETE CON CUERDA A GRANEL (UTILICE SÓLO CUERDA REDONDA DE 1,7 MM (0,065 PULGADA) DE DIÁMETRO) (FIGURAS 15, 16, 17)

También puede comprar cuerda a granel en el comercio minorista local. **NOTA:** Es probable que los carretes enrollados a mano con una cuerda a granel se enreden con mayor frecuencia que los carretes de BLACK+DECKER enrollados de fábrica. Para mejores resultados, se recomiendan los carretes enrollados de fábrica. Para instalar la cuerda a granel, siga los pasos a continuación:

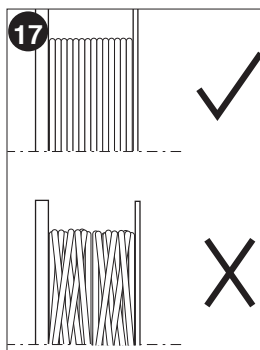
- Extraiga la batería de la herramienta.
- Extraiga el carrete vacío de la herramienta como se describe en el “REEMPLAZO DEL CARRETE”.
- Retire cualquier resto de cuerda de corte del carrete.
- Pliegue el final de la cuerda de corte a alrededor de 19 mm (3/4 pulgada)(r). Introduzca la cuerda de corte dentro de una de las ranuras de anclaje de la cuerda (s) como se muestra en la figura 15.



• Inserte el extremo de la cuerda a granel de 19 mm (3/4 pulgada) en el orificio (t) dentro del carrete adyacente a la ranura como se muestra en la **figura 16**.



• Enrolle la cuerda de corte dentro del carrete en la dirección de la flecha en el carrete. Asegúrese de enrollar la cuerda prolijamente y en capas. No la entrecruce (**figura 17**).  
• Cuando la cuerda de corte enrollada llegue a las ranuras (u), corte la cuerda. (**figura 16**).  
• Coloque el carrete en la herramienta como se describe en el “**REEMPLAZO DEL CARRETE**”.



## MANTENIMIENTO

**⚠ ADVERTENCIA:** Para evitar lesiones graves, apague y desenchufe la herramienta antes de realizar cualquier tipo de mantenimiento.

1. Mantenga limpias las ranuras de admisión de aire para evitar el sobrecalentamiento.
2. La cuerda de la podadora puede secarse con el tiempo. Para conservar la cuerda en óptimas condiciones, guarde los carretes pre-enrollados de repuesto o la cuerda en paquete en una bolsa sellada de plástico con una cucharada de agua.
3. Las piezas de plástico pueden limpiarse utilizando jabón suave y un paño húmedo.
4. La cortadora de cuerda en el extremo del protector puede perder filo con el tiempo. Se recomienda mantener periódicamente el filo de la hoja con una lima.

**IMPORTANTE:** Para garantizar la **SEGURIDAD** y la **CONFIABILIDAD** del producto, las reparaciones, el mantenimiento y el ajuste deben realizarse en los centros de mantenimiento autorizados o en otras organizaciones de mantenimiento calificadas, utilizando siempre piezas de repuesto idénticas.

## DETECCIÓN DE PROBLEMAS LA HERRAMIENTA FUNCIONA LENTAMENTE.

- Extraiga la batería de la herramienta.
- Verifique que la cubierta del carrete pueda girar libremente. Si es necesario, límpiela cuidadosamente.
- Verifique que la cuerda de corte no sobresalga más de 136 mm (5-3/8 pulgadas) del carrete aproximadamente. Si sobresale más, corte el excedente de manera que esté a la altura de la cuerda de la hoja de corte.

## LA ALIMENTACIÓN AUTOMÁTICA DE LA CUERDA NO FUNCIONA.

- Extraiga la batería de la herramienta.
- Retire la tapa del carrete.
- Tire de la cuerda de corte hasta que sobresalga 136mm (5-3/8 pulgadas) del carrete. Si la cuerda de corte que queda en el carrete es insuficiente, instale un nuevo carrete de cuerda de corte.
- Asegúrese de que la cuerda no se haya entrecruzado con el carrete como se detalla en la figura 18. Si se ha entrecruzado, desenrolle la cuerda de corte y nuevamente enrolle la cuerda prolijamente en el carrete de manera que las cuerdas no se entrecrucen.
- Alinee las lengüetas en la tapa del carrete con las muescas de la cubierta.
- Empuje el carrete dentro de la cubierta hasta que encaje firmemente en su lugar.
- Si la cuerda de corte sobresale más allá de la hoja de corte, corte el excedente de manera que esté a la altura de la hoja. Si la alimentación automática de la cuerda aún no funciona o el carrete está atascado, haga lo siguiente:
  - Limpie cuidadosamente el carrete y la cubierta.
  - Retire el carrete y verifique si la palanca en la cubierta se puede mover libremente.
  - Retire el carrete y desenrolle la cuerda de corte, para luego volver a enrollarla prolijamente. Reemplace el carrete de la cubierta.

## INFORMACIÓN DE MANTENIMIENTO

Todos los Centros de servicio de BLACK+DECKER cuentan con personal altamente capacitado dispuesto a brindar a todos los clientes un servicio eficiente y confiable en la reparación de herramientas eléctricas. Si necesita consejo técnico, reparaciones o piezas de repuesto originales de fábrica, póngase en contacto con el centro de servicio de BLACK+DECKER más cercano a su domicilio. Para ubicar su centro de servicio local llame al **1-800-544-6986** o visite nuestro sitio **[www.blackanddecker.com](http://www.blackanddecker.com)**.

## EL SELLO RBRC™

El sello RBRC™ (Corporación de reciclado de baterías recargables) que se encuentra en la batería de iones de litio (o paquete de baterías) indica que los costos de reciclar la batería (o el paquete de baterías) al final de su vida útil ya fueron pagados por **BLACK+DECKER**. RBRC™ en cooperación con **BLACK+DECKER** y otros usuarios de baterías, ha establecido programas en los Estados Unidos para facilitar la recolección de baterías de iones de litio agotadas. Ayude a proteger nuestro medio ambiente y a conservar los recursos naturales: devuelva las baterías de iones de litio agotadas a un centro de mantenimiento autorizado de **BLACK+DECKER** o a un comerciante minorista local para que se reciclen. También puede comunicarse con el centro local de reciclado para obtener información sobre dónde dejar las baterías agotadas. RBRC™ es una marca comercial registrada de la Corporación de reciclado de baterías recargables.

Este mecanismo cumple con la parte 15 de las normas de la Comisión Federal de Comunicaciones de Estados Unidos (FCC). La operación está sujeta a las dos condiciones siguientes: (1) Este mecanismo posiblemente no cause interferencia perjudicial; y (2) este mecanismo puede aceptar cualquier interferencia recibida, incluso interferencia que podría provocar una operación no deseada. **NOTA:** Este equipo ha sido probado y se encontró que cumple con los límites para dispositivo digital Clase B, según la parte 15 de las normas de la FCC. Estos límites están diseñados para brindar protección razonable contra interferencia perjudicial en una instalación residencial. Este equipo genera, usa y puede



irradiar energía en frecuencia de radio y, si no se instala y se usa de acuerdo con las instrucciones, puede provocar interferencia perjudicial en las comunicaciones de radio. Sin embargo, no hay garantía de que la interferencia no ocurra en una instalación en particular. Si este equipo provoca interferencia perjudicial en la recepción de radio o televisión, lo que se puede determinar al apagar y encender el equipo, el usuario debe tratar de corregir la interferencia mediante una o más de las siguientes medidas:

- Cambiar la orientación o la ubicación de la antena de recepción.
- Aumentar la separación entre el equipo y el receptor.
- Conectar el equipo a un tomacorriente sobre un circuito diferente de aquel al que está conectado el receptor.
- Consultar al vendedor o pedir la ayuda de un técnico en radio y televisión con experiencia.

Los cambios o las modificaciones que se le realicen a esta unidad sin aprobación expresa del tercero responsable del cumplimiento pueden anular la autorización del usuario para operar el equipo. Este aparato digital de la clase B se conforma con ICES-003 canadiense.

## GARANTÍA LIMITADA DE DOS AÑOS

Black & Decker (U.S.) Inc. garantiza que este producto está libre de defectos de material o mano de obra durante un período de dos (2) años desde la fecha de compra, siempre y cuando el producto se utilice en un entorno doméstico. Esta garantía limitada no cubre contra fallas debidas a mal uso, daño accidental o cuando se han realizado o intentado reparaciones por parte de cualquier otra persona ajena a BLACK+DECKER y sus centros de mantenimiento autorizados. Un producto defectuoso que cumple con las condiciones de la garantía establecidas en el presente documento será reemplazado o reparado sin costo de una dos maneras: a primera, que únicamente dará lugar a intercambios, consiste en devolver el producto al comerciante minorista donde fue comprado (siempre y cuando la tienda sea un comerciante minorista participante). Las devoluciones deben realizarse dentro del período establecido en la política para intercambios del comerciante minorista. Es posible que se requiera el comprobante de compra. Consulte al comerciante minorista sobre su política específica de devoluciones con respecto a los límites de tiempo para devoluciones o intercambios. La segunda opción es llevar o enviar (pagado por adelantado) el producto a un centro de mantenimiento de propiedad



o con autorización de BLACK+DECKER para su reparación o replazo a discreción de BLACK+DECKER. Es posible que se requiera un comprobante de compra. Los centros de mantenimiento de propiedad o con autorización de Black+Decker en línea en [www.blackanddecker.com](http://www.blackanddecker.com). Esta garantía no se aplica a los accesorios. Esta garantía le otorga derechos legales específicos y es posible que tenga otros derechos que varían de un estado a otro. En caso de que tenga alguna pregunta, comuníquese con el gerente del centro de mantenimiento de BLACK+DECKER más cercano a usted. Este producto no está diseñado para uso comercial y, en consecuencia, dicho uso comercial de este producto anulará la garantía. Por medio del presente documento, se declina la responsabilidad de todas las demás garantías, explícitas o implícitas.

**AMÉRICA LATINA:** Esta garantía no se aplica a productos vendidos en América Latina. Para los productos que se venden en América Latina, consulte la información de garantía específica del país contenida en el empaque, llame a la compañía local o visite el sitio web para obtener dicha información.

Importador: Black & Decker S.A. de .C.V  
Bosque de Cidros Acceso Radiatas No.42  
3ra.Seccion de Bosques de las lomas  
C.P.05120, Mexico, D.F. Tel: (01 55) 5326 7100





## SOLAMENTE PARA PROPOSITOS DE MEXICO

### **Grupo Realsa en herramientas, S.A. de C.V.**

Súper Manzana 69 MZ.01 Lote 30  
(Av. Torcasita)  
Col. Puerto Juárez  
Cancún, Quintana Roo  
Tel. 01 998 884 72 27

### **Ferre Pat de Puebla, S.A. de C.V.**

16 de Septiembre No. 6149  
Col. El Cerrito  
Puebla, Puebla  
Tel. 01 222 264 12 12

### **Ferre Pat de Puebla, S.A. de C.V.**

Ejército Mexicano No. 15  
Col. Ejido 1ro. de Mayo  
Boca del Rio, Veracruz  
Tel. 01 229 167 89 89

### **Servicio de Fabrica BLACK+DECKER, S.A. de C.V.**

Lázaro Cardenas No. 18  
Col. Obrera  
Distrito Federal  
Tel. 55 88 95 02

### **Representaciones Industriales Robles, S.A. de C.V.**

Tezozomoc No. 89  
Col. La Preciosa  
Distrito Federal  
Tel. 55 61 86 82

### **Gpo. Comercial de Htas. y Refacciones de Occidente, S.A. de C.V.**

Av. La Paz No. 1779  
Col. Americana, S. Juárez  
Guadalajara, Jalisco  
Tel. 01 33 38 25 69 78

### **Herramientas y Equipos Profesionales**

Av. Colón 2915 Ote.  
Col. Francisco I. Madero  
Monterrey, Nvo. León  
Tel. 01 81 83 54 60 06

### **Htas. Portátiles de Chihuahua, S.A. de C.V.**

Av. Universidad No. 2903  
Col. Fracc. Universidad  
Chihuahua, Chihuahua  
Tel. 01 614 413 64 04

### **Fernando González Armenta**

Bolivia No. 605  
Col. Felipe Carrillo Puerto  
Cd. Madero, Tampico  
Tel. 01 833 221 34 50

### **Perfiles y Herramientas de Morelia**

Gertrudis Bocanegra No. 898  
Col. Ventura Puente  
Morelia, Michoacán  
Tel. 01 443 313 85 50

### **Enrique Robles**

Av. de la Solidaridad No. 12713  
Col. La Pradera  
Irapuato, Guanajuato  
Tel. 01 462 626 67 39

### **Hernández Martínez Jeanette**

Prolongación Corregidora Nte. No. 1104  
Col. Arboledas  
Querétaro, Qro.  
Tel. 01 442 245 25 80

**PARA OTRAS LOCALIDADES LLAME AL 01 800 847 2309 o 01 800 847 2312.**

BLACK & DECKER S.A. DE C.V.  
BOSQUES DE CIDROS ACCESO RADIATAS NO. 42  
COL. BOSQUES DE LAS LOMAS.  
05120 MÉXICO, D.F.  
TEL. (01 55) 5326 7100  
01 800 847 2309/01 800 847 2312

Cat. No. LST220

Copyright© 2014 BLACK+DECKER

Form No. 90614612

October 2014

Printed in China

## Free Manuals Download Website

<http://myh66.com>

<http://usermanuals.us>

<http://www.somanuals.com>

<http://www.4manuals.cc>

<http://www.manual-lib.com>

<http://www.404manual.com>

<http://www.luxmanual.com>

<http://aubethermostatmanual.com>

Golf course search by state

<http://golfingnear.com>

Email search by domain

<http://emailbydomain.com>

Auto manuals search

<http://auto.somanuals.com>

TV manuals search

<http://tv.somanuals.com>