

BLACK&DECKER®

ALLIGATOR™ NLP1800

INSTRUCTION MANUAL

Thank you for choosing Black & Decker! Go to www.BlackandDecker.com/NewOwner to register your new product.

PLEASE READ BEFORE RETURNING THIS PRODUCT FOR ANY REASON:

If you have a question or experience a problem with your Black & Decker purchase, go to

[HTTP://WWW.BLACKANDDECKER.COM/INSTANTANSWERS](http://WWW.BLACKANDDECKER.COM/INSTANTANSWERS)
for instant answers 24 hours a day.

If you can't find the answer or do not have access to the internet, call 1-800-544-6986 from 8 a.m. to 5 p.m. EST Mon. -- Fri. to speak with an agent. Please have the catalog number available when you call.

SAVE THIS MANUAL FOR FUTURE REFERENCE.

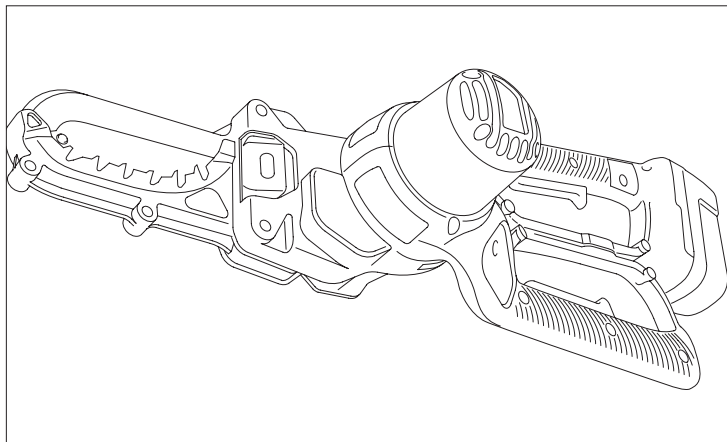
VEA EL ESPAÑOL EN LA CONTRAPORTADA.

POUR LE FRANÇAIS, VOIR LA COUVERTURE ARRIÈRE.

INSTRUCTIVO DE OPERACIÓN, CENTROS DE SERVICIO Y PÓLIZA DE GARANTÍA. ADVERTENCIA: LEASE ESTE INSTRUCTIVO ANTES DE USAR EL PRODUCTO.

KEY INFORMATION YOU SHOULD KNOW:

- DO NOT OVER-TENSION CHAIN. Refer to "CHAIN TENSION ADJUSTMENT" for proper method of tensioning chain.
- Retighten chain frequently during first two hours of use as chain breaks in.



Intended use

Your Black & Decker Alligator Lopper™ has been designed for pruning trees and cutting small logs up to 4 inches (100mm) in diameter. This tool is intended for consumer use only.

Important Safety Instructions

⚠ **WARNING:** When using a battery operated chain saw, basic safety precautions should always be followed to reduce risk of fire, electric shock, and personal injury, including the following:

READ ALL INSTRUCTIONS.

⚠ **Safety Instructions and Warnings for Chain Saws**

• **Keep Work Area Clean**

Cluttered areas invite injuries. Do not start cutting until you have a clear work area, secure footing, and a planned retreat path from the falling tree.

• **Consider Work Area Environment**

Use extreme caution when cutting small size brush and saplings because the slender material may catch the saw chain and be whipped toward you or pull you off balance. When cutting a limb that is under tension be alert for spring back so that you will not be struck when the tension in the wood fibers is released. Do not expose chain saw to rain or snow. Do not use chain saw in damp or wet locations or while it is raining or snowing. Do not use chain saw in the presence of flammable liquids or gases or enclosed concentrations of dust. Cut only when visibility and light are sufficient to see clearly

• **Keep Children, Bystanders, Visitors and Animals Away**

Do not let visitors contact chain saw. All visitors should be kept away from work area.

• **Store Idle Chain Saw**

When not in use, chain saws should be stored in a dry, and high or locked-up place - out of the reach of children. When storing saw, always remove battery and use a scabbard or carrying case.

• **Don't Grasp the exposed cutting blades** or cutting edges when picking up or holding the appliance.

• **Don't Force Chain Saw**

It will do the job better and safer at the rate for which it was intended.

• **Use Right Tool**

Cut wood only. Don't use chain saw for purpose not intended - for example - Don't use chain saw for cutting plastic, metal, masonry, non-wood building materials.

• **Dress Properly**

Do not wear loose clothing or jewelry. Keep your hair, clothing, and gloves away from moving parts. Loose clothing, jewelry, or long hair can be caught in moving parts. Wear protective hair covering to contain long hair. Air vents cover moving parts and should be avoided. Protective non-slip gloves and non-skid footwear are recommended when working outdoors. Always wear heavy, long pants or other protection for your legs.

• **Use Safety Glasses**

Also use safety footwear; snug fitting clothing; protective gloves; proper hearing, respiratory, and head protection.

• **Carrying Saw**

Carry the chain saw by the front handle with the saw stopped, finger off the switch, the guide bar and saw chain to the rear. Remove battery and secure latch when transporting saw.

• **Maintain Chain Saw With Care**

Keep tools sharp and clean for better and safer performance. Follow instructions for lubricating and changing accessories. Keep handles dry, clean, and free from oil and grease.

• **Disconnect Battery**

Disconnect battery from chain saw when not in use, before servicing, when tensioning chain, and when changing accessories and attachments, such as saw chain.

• **Stay Alert**

Watch what you are doing. Use common sense. Do not operate chain saw when you are tired, ill, or under the influence of alcohol, drugs, or medication. Keep all parts of the body away from the saw chain when the motor is operating. Before you start the saw, make sure the saw chain is not contacting anything. When cutting through wood, remember the chain saw cuts quickly and will continue its downward or upward path. Stay out of its path.

• **Check Damaged Parts**

Before further use of the chain saw, any part that is damaged should be carefully checked to determine that it will operate

properly and perform its intended function. Check for alignment of moving parts, binding of moving parts, breakage of parts, mounting, and any other conditions that may affect its operation. A guard or other part that is damaged should be properly repaired or replaced by an authorized service center unless otherwise indicated elsewhere in this instruction manual. Have defective switches replaced by authorized service center. Do not use chain saw if switch does not turn it on and off. Do not operate a chain saw that is damaged, improperly adjusted, or is not completely and securely assembled. Be sure that the saw chain stops moving when the trigger is released.

• **Guard Against Kickback**

⚠ **WARNING: KICKBACK** may occur when the nose or tip of the guide bar touches an object, or when the wood closes in and pinches the saw chain in the cut. Tip contact in some cases may cause a lightning fast reverse reaction, kicking the guide bar up and back towards the operator. Pinching the saw chain along the top of the guide bar may push the guide bar rapidly back towards the operator. Either of these reactions may cause you to lose control of the saw which could result in serious injury to user.

The following precautions should be followed to minimize kickback:

- (1.) Grip Saw Firmly. Hold the chain saw firmly with both hands when the motor is running. Use a firm grip with thumbs and fingers encircling the chain saw handles. Chain saw will pull forward when cutting on the bottom edge of the bar, and push backward when cutting along the top edge of the bar.
- (2.) Do not over reach.
- (3.) Keep proper footing and balance at all times.
- (4.) Don't let the nose of the guide bar contact a log, branch, ground or other obstruction.
- (5.) Don't cut above shoulder height.
- (6.) Use devices such as low kickback chain and reduced kickback guide bars that reduce the risks associated with kickback.
- (7.) Only use replacement bars and chains specified by the manufacturer or the equivalent.
- (8.) Never let the moving chain contact any object at the tip of the guide bar.

(9.) Keep the working area free from obstructions such as other trees, branches, rocks, fences, stumps, etc. Eliminate or avoid any obstruction that your saw chain could hit while you are cutting through a particular log or branch.

(10.) Keep your saw chain sharp and properly tensioned. A loose or dull chain can increase the chance of kickback. Check tension at regular intervals with the motor stopped and battery removed, never with the motor running.

(11.) Begin and continue cutting only with the chain moving at full speed. If the chain is moving at a slower speed, there is a greater chance for kickback to occur.

(12.) Cut one log at a time.

(13.) Use extreme caution when re-entering a previous cut. Engage ribbed bumpers into wood and allow chain to reach full speed before proceeding with cut.

(14.) Do not attempt plunge cuts or bore cuts.

(15.) Watch for shifting logs or other forces that could close a cut and pinch or fall into chain.

• **Power Supply**

Connect chain saw battery charger to correct voltage, that is, be sure that the voltage supplied is the same as that specified on the nameplate of the tool.

Additional safety instructions for the Alligator™ Lopper

⚠ **WARNING:** Never use the tool above shoulder height. Always position yourself out of the path of falling branches and debris.

⚠ **WARNING:** Do not use this tool to fell trees.

- Pre-plan a safe exit from falling branches and debris. Ensure the exit route is clear of obstacles that would prevent or hinder movement. Remember wet grass and freshly cut bark is slippery.
- Be aware of the direction that a branch may fall. Consider all conditions that may affect the direction of fall, including:
 - The intended direction of fall.
 - The natural lean of the branch.

- Any unusual heavy limb structure or decay.
- Surrounding trees and obstacles including overhead lines.
- The wind speed and direction.
- The safe distance between a branch and debris to be felled and bystanders, buildings and other objects is at least 2 1/2 times the length of the branch. Any bystander, building or object within this distance is at risk from being struck by the falling branch.
- When cutting a limb that is under tension be aware of spring back. When the tension in the wood fibres are released the spring loaded limb may strike the operator and/or throw the tool out of control.
- Always wear suitable safety equipment such as non-skid heavy-duty shoes, goggles, ear protection and gloves when operating the tool.
- Ensure someone is nearby (at a safe distance) in case of an accident.
- Do not attempt to operate the tool when in a tree, on a ladder or standing on any other unstable support.
- Keep proper footing and balance at all times.
- Hold the tool firmly with both hands when the motor is running.
- Keep handles dry, clean and free from oil and grease. Greasy oily handles are slippery causing loss of control.
- Do not let the moving chain contact any object at the tip of the guide bar.
- Keep your saw chain properly tensioned. Check tension at regular intervals with the motor stopped and battery disconnected.
- Begin and continue cutting only with the chain moving at full speed.
- Watch for shifting branches or other forces that could close a cut and pinch or fall into the chain.
- Use extreme caution when re-entering a previous cut. Engage spikes on lower jaw into wood and allow the chain to reach full speed before proceeding with cut.

- Use of this tool for operation different to those intended could result in hazardous situations. Cut wood only. Don't use this tool for purposes not intended - for example - Don't use tool for cutting plastic, masonry or non-wood building materials.
- If any debris gets caught with the guard or tool discontinue use, disconnect power cord and clear debris.
- Worn chains and chain guide bars should be replaced.
- Only use replacement bars and chains specified by the manufacturer.
- This saw is intended for infrequent use by homeowners, cottagers, and campers, and for such general applications as clearing, pruning, cutting firewood, etc. It is not intended for prolonged use. Prolonged periods of operation can cause circulatory problems in the user's hands due to vibration. For such use, it may be appropriate to use a saw having an anti-vibration feature.

Kickback Safety Features

Guard against kickback. Kickback is the upward motion of the guide bar that occurs when the saw chain, at the nose of the guide bar, contacts an object. Kickback can lead to dangerous loss of control of the chain saw.

⚠ WARNING: The following features are included on your Alligator Lopper™ to help reduce the hazard of kickback; however such features will not totally eliminate this dangerous reaction. As a chain saw user do not rely only on safety devices. You must follow all safety precautions, instructions, and maintenance in this manual to help avoid kickback and other forces which can result in serious injury.

Top Jaw - This has been designed specifically to cover the tip of the chain bar where the danger zone for kickback occurs. In the event of any kickback the guard also helps reduce the risk of the chain coming into contact with the operator.

Reduced Kickback Guide Bar - This has been designed with a small radius tip which reduces the size of the kickback zone on the bar tip.

Reduced Kickback Chain - Designed with a contoured depth gauge and guard link which deflect kickback force and allows wood to gradually ride into the cutter.

Electrical safety

This tool and charger is double insulated; therefore no grounding wire is required. Always check that the power supply corresponds to the voltage on the rating plate.

⚠ WARNING: Some dust created by power sanding, sawing, grinding, drilling, and other construction activities contains chemicals known to cause cancer, birth defects or other reproductive harm. Some examples of these chemicals are:

- lead from lead-based paints,
- crystalline silica from bricks and cement and other masonry products, and
- arsenic and chromium from chemically-treated lumber. (CCA)

Your risk from these exposures varies, depending on how often you do this type of work. To reduce your exposure to these chemicals: work in a well ventilated area, and work with approved safety equipment, such as those dust masks that are specially designed to filter out microscopic particles.

- **Avoid prolonged contact with dust from power sanding, sawing, grinding, drilling, and other construction activities. Wear protective clothing and wash exposed areas with soap and water.** Allowing dust to get into your mouth, eyes, or lay on the skin may promote absorption of harmful chemicals.

⚠ WARNING: Use of this tool can generate and/or disburse dust, which may cause serious and permanent respiratory or other injury. Always use NIOSH/OSHA approved respiratory

protection appropriate for the dust exposure. Direct particles away from face and body.

⚠ CAUTION: Wear appropriate personal hearing protection during use. Under some conditions and duration of use, noise from this product may contribute to hearing loss.

The label on your tool may include the following symbols.

<i>V</i>volts	<i>A</i>amperes
<i>Hz</i>hertz	<i>W</i>watts
<i>min</i>minutes	<i>~</i>alternating current
<i>— — —</i>direct current	<i>n o</i>no load speed
<i>□</i>Class II Construction	<i>⊖</i>earthing terminal
<i>⚠</i>safety alert symbol	<i>.../min</i>revolutions per minute

SAVE THESE INSTRUCTIONS

CHAIN SAW NAMES AND TERMS

- **Bucking** - The process of cross cutting a felled tree or log into lengths.
- **Chain Brake** - A device used to stop the chain saw.
- **Chain Saw Powerhead** - A chain saw without the saw chain and guide bar.
- **Clutch** - A mechanism for connecting and disconnecting a driven member to and from a rotating source of power.
- **Drive Sprocket or Sprocket** - The toothed part that drives the saw chain.
- **Felling** - The process of cutting down a tree.
- **Felling Back Cut** - The final cut in a tree felling operation made on the opposite side of the tree from the notching cut.
- **Guide Bar** - A solid railed structure that supports and guides the saw chain.
- **Kickback** - The backward or upward motion, or both of the guide bar occurring when the saw chain near the nose of the top area of

the guide bar contacts any object such as a log or branch, or when the wood closes in and pinches the saw chain in the cut.

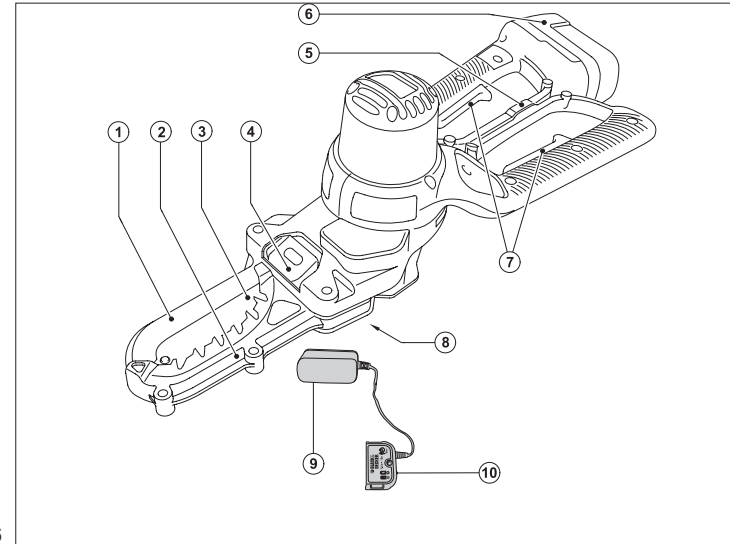
- **Kickback, Pinch** - The rapid pushback of the saw which can occur when the wood closes in and pinches the moving saw chain in the cut along the top of the guide bar.
- **Kickback, Rotational** - The rapid upward and backward motion of the saw which can occur when the moving saw chain near the upper portion of the tip of the guide bar contacts an object, such as a log or branch.
- **Low-Kickback Chain** - A chain that complies with the kickback performance requirements of ANSI B175.1-1991 (when tested on a representative sample of chain saws.)
- **Normal Cutting Position** - Those positions assumed in performing the bucking and felling cuts.
- **Reduced Kickback Guide Bar** - A guide bar which has been demonstrated to reduce kickback significantly.
- **Replacement Saw Chain** - A chain that complies with kickback performance requirements of ANSI B175.1-1991 when tested with specific chain saws. It may not meet the ANSI performance requirements when used with other saws.
- **Saw Chain** - A loop of chain having cutting teeth, that cut the wood and that is driven by the motor and is supported by the guide bar.
- **Switch** - A device that when operated will complete or interrupt an electrical power circuit to the motor of the chain saw.
- **Switch Linkage** - The mechanism that transmits motion from a trigger to the switch.

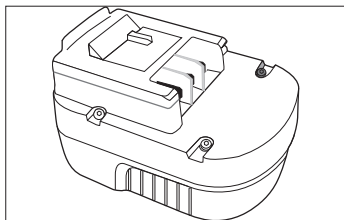
Battery Cap Information

Battery storage and carrying caps (**figure A**) are provided for use whenever the battery is out of the tool or charger. Remove cap before placing battery in charger or tool.

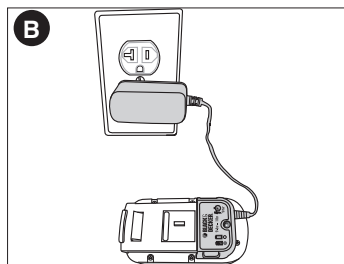
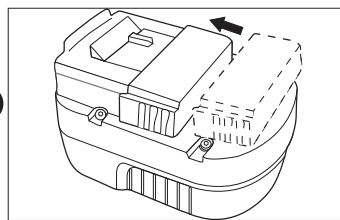
FUNCTIONAL DESCRIPTION

1. Top jaw
2. Lower jaw
3. Chain guide bar
4. Oiling cover
5. Latch
6. Battery Pack
7. On/off switch actuators
8. Chipping ejection point
9. Charger
10. Charger receptacle

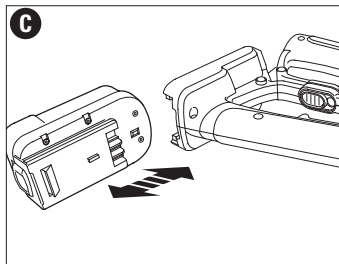




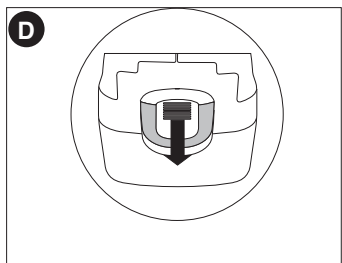
A



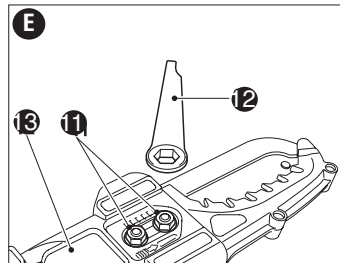
B



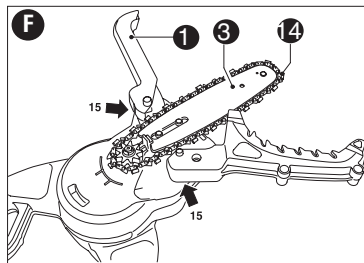
C



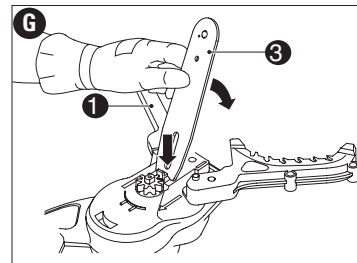
D



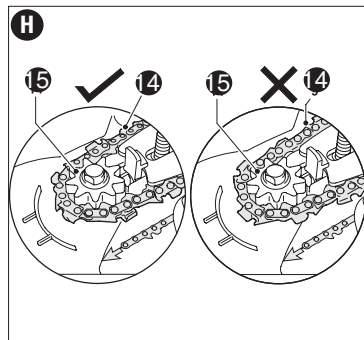
E



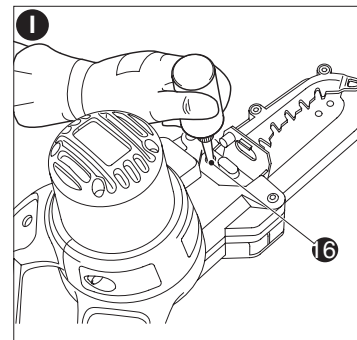
F



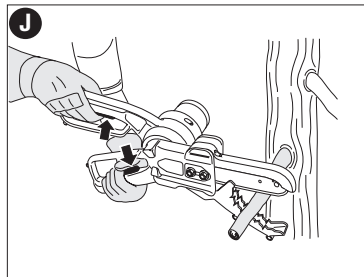
G



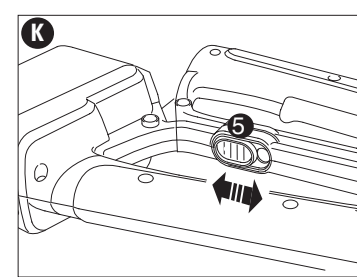
H



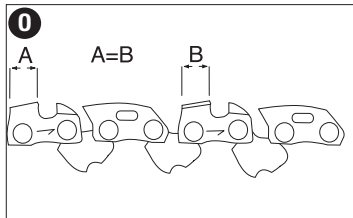
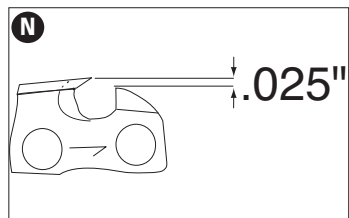
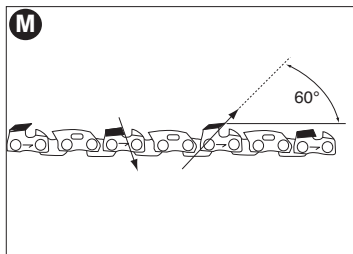
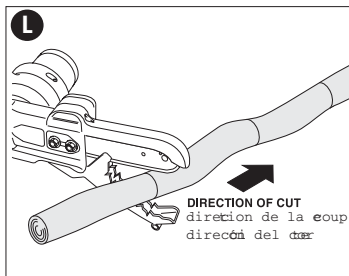
I



J



K



⚠ WARNING: Fire hazard. Do not store or carry battery so that metal objects can contact exposed battery terminals. For example, do not place battery in aprons, pockets, tool boxes, product kit boxes, drawers, etc., with loose nails, screws, keys, etc. **Transporting batteries can possibly cause fires if the battery terminals inadvertently come in contact with conductive materials such as keys, coins, hand tools and the like.** The US Department of Transportation Hazardous Material Regulations (HMR) actually prohibit transporting batteries in commerce or on airplanes (i.e., packed in suitcases and carry-on luggage) UNLESS they are properly protected from short circuits. So when transporting individual batteries, make sure that the battery terminals are protected and well insulated from materials that could contact them and cause a short circuit.

⚠ SAFETY WARNINGS AND INSTRUCTIONS

CHARGING

1. This manual contains important safety and operating instructions.
2. Before using battery charger, read all instructions and cautionary markings on (1) battery charger, (2) battery pack, and (3) product using battery pack.
3. **⚠ CAUTION:** To reduce the risk of injury, charge only Black & Decker Battery Packs. Other types of batteries may burst causing personal injury and damage.
4. Do not expose charger to rain or snow.
5. Use of an attachment not recommended or sold by Black & Decker may result in a risk of fire, electric shock, or injury to persons.
6. To reduce risk of damage to electric plug and cord, pull by plug rather than cord when disconnecting charger.
7. Make sure cord is located so that it will not be stepped on, tripped over, or otherwise subjected to damage or stress.
8. An extension cord should not be used unless absolutely necessary. Use of improper extension cord could result in a risk of fire, electric shock or electrocution.
 - a. Two-wire cords can be used with 2-wire or 3-wire extension cords. Only round jacketed extension cords should be used, and we recommend that they be listed by Underwriters Laboratories (U.L.). If the extension is to be used outside, the cord must be suitable for outdoor use. Any cord marked for outdoor use can also be used for indoor work. The letters "W" or "WA" on the cord jacket indicate that the cord is suitable for outdoor use.
 - b. An extension cord must have adequate wire size (AWG or American Wire Gauge) for safety, and to prevent loss of power and overheating. The smaller the gauge number of the wire, the greater the capacity of the cable; that is, 16 gauge has more

capacity than 18 gauge. When using more than one extension to make up the total length, be sure each extension contains at least the minimum wire size.

**CHART FOR MINIMUM WIRE SIZE (AWG) OF EXTENSION CORDS
NAMEPLATE RATING AMPS – 0 – 10.0**

Total Extension Cord Length (ft)	0-25 (0-7,6m)	26-50 (7,6-15,2m)	51-100 (15,2-30,4m)	101-150 (30,4-45,7m)
Wire Gauge	18	16	16	14

9. Use only the supplied charger when charging your unit. The use of any other charger could damage the battery pack or create a hazardous condition.
10. Use only one charger when charging.
11. Do not attempt to open the charger or the unit. There are no customer serviceable parts inside. Return to any authorized Black & Decker service center.
12. DO NOT incinerate battery packs even if they are severely damaged or completely worn out.
13. Do not incinerate the batteries. They can explode in a fire. A small leakage of liquid from the battery cells may occur under extreme usage, charging or temperature conditions. This does not indicate a failure. However, if the outer seal is broken and this leakage gets on your skin:
 - a. Wash quickly with soap and water.
 - b. Neutralize with a mild acid such as lemon juice or vinegar.
 - c. If the battery liquid gets in your eyes, flush them with clean water for a minimum of 10 minutes and seek immediate medical attention. **MEDICAL NOTE:** The liquid is a 25-35% solution of potassium hydroxide.

STORAGE RECOMMENDATION

1. Store tool:
 - a.) with the battery pack removed and on the charger.
 - b.) in a place that is cool and dry away from direct sunlight and excess heat or cold.

c.) out of the reach of children.

2. For prolonged storage such as over the winter, the battery pack should be fully charged and then removed from the charger. It should be charged again just prior to use.

LEAVING THE BATTERY PACK IN THE CHARGER

It is OK to leave battery packs on charge for long periods of time. The charger has a maintenance mode which gives the battery pack enough charge to stay “topped off”. If however, the tool is not expected to be needed for more than 30 days, unplug the charger and store battery pack in a cool, dry location. **NOTE:** A battery pack will lose its charge when kept off of the charger. If the battery pack has not been kept on maintenance charge, it may need to be recharged before use. A battery pack may also lose its charge if left in a charger that is not plugged into an appropriate AC source.

Charging the Battery Pack

THE BATTERY PACK IS NOT FULLY CHARGED AT THE FACTORY. CHARGE BATTERY PACK FOR AT LEAST 9 HOURS BEFORE USE.

The charger is designed to use standard household 120 volt 60 Hz power.

1. Plug the charger into any standard 120 Volt 60 Hz electrical outlet.
2. Slide the charger onto the battery pack as shown in **figure B** and let the battery pack charge initially for **9 hours**. After the initial charge, under normal usage, your battery pack should be fully charged in **6 to 9 hours**.
 - 2a) During charging the green LED will appear.
 - 2b) When charging is complete the green LED will go off.
3. Unplug charger, and remove the battery pack. **Place the battery pack into the tool until it “clicks” into place (figure C).** **NOTE:** To remove the battery pack, press down on the release button on the back of the battery pack and slide out (**figure D**).

IMPORTANT CHARGING NOTES

1. After normal usage, your battery pack should be fully charged in **6 to 9 hours**. If the battery pack is run-down completely, it may take up to **9 hours** to become fully charged. Your battery pack will be sent from the factory in an uncharged condition. Before attempting to use it, it must be charged for at least **9 hours**.
2. DO NOT charge the battery pack in an air temperature below +40°F (+4.5°C), or above +105°F (+40.5°C). This is important and will prevent serious damage to the battery pack. Longest life and best performance can be obtained if battery pack is charged when air temperature is about 75°F (24°C).
3. While charging, the charger may hum and become warm to touch. This is a normal condition and does not indicate a problem.
4. If the battery pack does not charge properly—(1) Check current at receptacle by plugging in a lamp or other appliance. (2) Check to see if receptacle is connected to a light switch which turns power off when you turn out the lights. (3) Move charger and battery pack to a surrounding air temperature of 40°F (+4.5°C) to 105°F (+40.5°C). (4) If the receptacle and temperature are OK, and you do not get proper charging, take or send the battery pack and charger to your local Black & Decker service center. See Tools Electric in yellow pages.
5. The battery pack should be recharged when it fails to produce sufficient power on jobs which were easily done previously. DO NOT CONTINUE using unit with its battery pack in a depleted condition.
6. The battery pack will reach optimum performance after being cycled 5 times during normal usage. There is no need to run the battery pack down completely before recharging. Normal usage is the best method of discharging and recharging the battery pack.

Preparing Your Alligator Lopper™ For Use

⚠ **WARNING: Read and understand all instructions.** Failure to follow all instructions listed below may result in electric shock, fire

and/or serious personal injury

⚠ **WARNING: Sharp moving blade. To prevent accidental operation, ensure that the battery is disconnected from the tool before performing the following operations.** Failure to do this could result in serious personal injury.

⚠ **CAUTION: Sharp moving blade. Always wear protective gloves when installing or removing the chain.** The chain is sharp and can cut you when it is not running.

Chain tension adjustment (fig. E)

⚠ **WARNING: Before chain or other adjustments, make sure that the battery is disconnected from the tool.**

If the chain cannot be correctly tensioned, it may need to be replaced. Contact your nearest service center.

The product comes ready assembled. However we recommend that you check the tension of the chain, and chain retention bolts before use and if required adjust.

Checking and adjusting the chain tension (fig. E)

To tension the chain slacken the two chain cover retention bolts (11) with the wrench (12) and the chain tensioning device will push the chain bar out, setting the correct tension. Retighten the two retention bolts (11) securely.

Check that the correct tension has been set by lightly pulling on the chain. The tension is correct when the chain snaps back after being pulled 1/8 inch (3 mm) away from the guide bar. There should be no "sag" between the guide bar and chain on the underside.

Note: Do not over tension the chain as this will lead to excessive wear and reduce the life of the bar and chain. It will also lead to reduced product performance.

Note: With first use and when the chain is new, check tension frequently as a new chain stretches slightly.

Replacing the chain and chain bar

After prolonged use the chain and / or chain bar may need replacing. Use Black & Decker replacement chain RC600 only. Low-Kickback saw chain is a chain which has met the kickback performance requirements of ANSI B175.1 when tested on the representative sample of chain saws.

Removing the saw chain & chain bar (figs. F&G)

⚠ WARNING: Before chain or other adjustments, make sure that the battery is disconnected from the tool.

⚠ WARNING: Laceration hazard. Always wear protective gloves when installing or removing the saw chain. The saw chain is sharp and can cut you when it is not running.

⚠ WARNING: Burn hazard. The chain guide bar and chain may become hot during use. Allow to cool before adjustment or removal.

- Place the tool on a firm surface.
- Rotate the two retention bolts (11) counter clockwise with wrench (12) provided and remove completely.
- Remove the chain access cover (13).
- Open the handles and pull back the top chain cover jaw (1).
- Pull back chain bar (3) and then lift the saw chain (14) out of the groove in the guide bar. The chain (14) can then be removed from the unit.
- The chain bar can then be angled up.

Assembling the chain bar and chain (figs. G&H)

⚠ WARNING: Before chain or other adjustments, make sure that the battery is disconnected from the tool.

⚠ WARNING: Always wear protective gloves when installing or removing the saw chain. The saw chain is sharp and can cut you when it is not running.

- Ensure the operation is carried out on a firm surface.
- Open the handles and pull back the top jaw (1).
- Insert the chain bar into the space between the chain tensioner and align with the chain bar locator, angle the chain bar down ensuring it is correctly located.
- Place the chain (14) around the front of the chain bar and engage in the nose sprocket of the chain bar. Make sure chain is installed properly, with the cutting teeth facing forward as shown here.



- Pull the chain bar and chain back, engaging it in the groove in the chain bar and then over the sprocket (15) positioning teeth in the correct position on the sprocket.

- Replace the chain access cover (13) and retention bolts (11) tightening securely.

Operation

Never operate a chain saw that is damaged or improperly adjusted or that is not completely and securely assembled. Be sure that the saw chain stops moving when the power control system triggers are released. Never adjust the guide bar or saw chain when the engine is operating.

⚠ WARNING: Let the tool work at its own pace. Do not overload.

- Carry out regular cleaning of the unit as described in the maintenance section and in particular cleaning inside the chain access cover.
- The lower guard jaw (2) and top jaw (1) are designed to close when one of the handles is released or when the piece of branch being cut has been cut. If this does not occur, discontinue use of the tool and remove the battery pack. Check if any debris is blocking movement. To help in this process it may be necessary to remove chain access cover(13). If on assembly the problem is still present take the unit to a service center.

Oiling (fig. I)

A high quality bar and chain oil or SAE30 weight motor oil should be used for chain and bar lubrication. The use of a vegetable based bar and chain oil is recommended when pruning trees. Never use waste oil or very thick oil. These may damage your chain saw.

- Before first use and every ten minutes of use you must oil the product with the recommended chain oil. Open the oiling cover (4) and insert the bottle into the oil filling hole (16) apply pressure to the bottle once to dispense oil.
- This should be adequate for about 10 minutes of cutting depending upon cutting speed and type of wood.
- The hole feeds the oil through to the chain onto the chain bar and an excessive amount of oil applied to the unit could mean the oil drips from the unit around the jaw area. This is normal and is nothing to be concerned about.

Switching on and off (fig. J)

For your safety, this tool is equipped with a double switching system. This system prevents starting the tool inadvertently. A chain saw is intended for two-handed use. Serious injury to the operator, helpers, and/or bystanders can result from one-handed operation.

Switching on (fig. K)

To open the handles, slide the latch (5) backwards and pull the handles apart. Ensure a firm grip on the handles and then squeeze both switch actuators to switch the unit on.

Note: Both switches must be activated for the product to be used. Do not force the tool - allow it to do the work. It will do a better and safer job at the speed for which it is designed. Excessive force will stretch the chain.

If the saw chain or bar becomes jammed:

- Switch the tool off.
- Remove the battery from the tool.
- Open the cut with wedges to relieve the strain on the guide bar. Do not try to wrench the saw free. Start a fresh cut.

After use, close the handles and slide the latch (5) forward to the lock position. The handles should be locked during transportation and storage.

Trimming branches

- Make sure the tool is running at full speed before making a cut.
- Hold the tool firmly in place to avoid possible bouncing or sideways movement of the tool.
- Guide the tool using light pressure.
- Always cut down from the top. This way you will avoid pinching the saw chain.
- **Remove branches as shown in Fig L.** Starting from branch tip reduce the branch in logical steps cutting off small sections. "When cutting a limb that is under tension be aware of spring back.
- When the tension in the wood fibres are released the spring loaded limb may strike the operator and /or throw the tool out of control"
- Remove the tool from the cut while it is running at full speed.

Maintenance

Your Black & Decker tool has been designed to operate over a long period of time with a minimum of maintenance. Continuous satisfactory operation depends upon proper tool care and regular cleaning.

⚠ WARNING: Before performing any maintenance or cleaning of the tool, remove battery from the tool.

Cleaning

- Regularly remove the chain access cover and remove any debris that has become trapped.
- Regularly clean the ventilation slots with a clean, dry paint brush.
- To clean the tool, use only mild soap and a damp cloth. Never let any liquid get inside the tool and never immerse any part of the tool into liquid.

Oiling

- Regularly oil the oiling points (16) as indicated in figure I.

Transporting

- Always transport the tool with the jaws closed and the latch in the locked position.

Saw Chain Sharpening

⚠ CAUTION: Sharp chain. Always wear protective gloves when handling the chain. The chain is sharp and can cut you when it is not running.

⚠ WARNING: Sharp moving chain. To prevent accidental operation, insure that battery is disconnected from the tool before performing the following operations. Failure to do this could result in serious personal injury.

To get the best possible performance from your chain saw it is important to keep the teeth of the chain sharp. Follow these helpful tips for proper saw chain sharpening:

1. Remove the saw chain and use a chain vise when doing any sharpening. See "Removing the saw chain and chain bar".
2. For best results use a 4.5mm file and a file holder or filing guide to sharpen your chain. This will ensure you always get the correct sharpening angles.

3. Place the file holder flat on the top plate and depth gauge of the cutter.
4. **(Figure M)** Keep the correct top plate filing angle line of 30° on your file guide parallel with your chain (file at 60° from chain viewed from above).
5. **(Figure N)** Sharpen cutters on one side of the chain first. File from the inside of each cutter to the outside. Then turn your saw chain around and repeat the processes (2,3,4) for cutters on the other side of the chain. Use a flat file to file the tops of the rakers (portion of chain link in front of the cutter) so that they are about .025" below the tips of the cutters.
6. **(Figure O)** Keep all cutter lengths equal.
7. If damage is present on the chrome surface of the top plates or side plates, file back until such damage is removed.

⚠ CAUTION: After filing, the cutter will be sharp, use extra caution during this process.

NOTE: Each time the chain is sharpened, it loses some of the low kickback qualities and extra caution should be used. It is recommended that a chain be sharpened no more than four times.

Storage

- When the tool will not be used for several months, wipe any metal components with oil.
- Store the tool in a secure and dry location. The storage temperature must always remain in the range of 41°F (+5 °C) to 104°F (+40 °C). Place the product on a level safe location.

IMPORTANT: To assure product SAFETY and RELIABILITY, repairs, maintenance and adjustment should be performed by authorized service centers or other qualified service organizations, always using identical replacement parts.

Accessories

Replacement chain and bar are available from your nearest Black & Decker service center.

Replacement chain catalog number RC600

The use of accessories not recommended in this manual may be hazardous.

Service Information

All Black & Decker Service Centers are staffed with trained personnel to provide customers with efficient and reliable power tool service. Whether you need technical advice, repair, or genuine factory replacement parts, contact the Black & Decker location nearest you. To find your local service location, refer to the yellow page directory under "Tools—Electric" or call: **1-800-544-6986** or visit **www.blackanddecker.com**

Full Two-Year Home Use Warranty

Black & Decker (U.S.) Inc. warrants this product for two years against any defects in material or workmanship. The defective product will be replaced or repaired at no charge in either of two ways. The first, which will result in exchanges only, is to return the product to the retailer from whom it was purchased (provided that the store is a participating retailer). Returns should be made within the time period of the retailer's policy for exchanges (usually 30 to 90 days after the sale). Proof of purchase may be required. Please check with the retailer for their specific return policy regarding returns that are beyond the time set for exchanges.

The second option is to take or send the product (prepaid) to a Black & Decker owned or authorized Service Center for repair or replacement at our option. Proof of purchase may be required. Black & Decker owned and authorized Service Centers are listed under "Tools-Electric" in the yellow pages of the phone directory.

This warranty does not apply to accessories. This warranty gives you specific legal rights and you may have other rights which vary from state to state or province to province. Should you have any questions, contact the manager of your nearest Black & Decker Service Center. This product is not intended for commercial use.

FREE WARNING LABEL REPLACEMENT: If your warning labels become illegible or are missing, call **1-800-544-6986** for a free replacement.

LATIN AMERICA: This warranty does not apply to products sold in Latin America. For products sold in Latin America, check country specific warranty information contained in the packaging, call the local company or see the website for warranty information.

Troubleshooting Section

If your Chain Saw does not operate correctly check the following:

<u>Problem</u>	<u>Possible Cause</u>	<u>Possible Solution</u>
• Tool will not start.	<ul style="list-style-type: none"> • Battery not installed properly. • Battery not charged. 	<ul style="list-style-type: none"> • Check battery installation. • Check battery charging requirements.
• Unit will not charge.	<ul style="list-style-type: none"> • Battery not inserted into charger. 	<ul style="list-style-type: none"> • Insert battery into charger until green LED appears. Charge up to 9 hours if battery totally drained.
• Bar / chain overheated.	<ul style="list-style-type: none"> • Chain too tight. • Lubrication needed. 	<ul style="list-style-type: none"> • Refer to “adjusting chain tension” section. • Refer to “chain oiling” section.
• Chain is loose.	<ul style="list-style-type: none"> • Chain tension set incorrectly. 	<ul style="list-style-type: none"> • Refer to “adjusting chain tension” section.
• Poor cut quality.	<ul style="list-style-type: none"> • Chain tension set incorrectly. • Chain needs replacement. 	<ul style="list-style-type: none"> • Refer to “adjusting chain tension” section. <p>Note: Excessive tension leads to excessive wear and reduction in life of bar & chain. Lubricate before each cut.</p> <p>Refer to “replacing the chain” section.</p>
• Unit runs but does not cut.	<ul style="list-style-type: none"> • Chain installed backwards. 	<ul style="list-style-type: none"> • Refer to sections for installing and removing chain.
• Oil is not getting to chain.	<ul style="list-style-type: none"> • Sawdust / debris is accumulated under sprocket cover. 	<ul style="list-style-type: none"> • Remove battery, remove sprocket cover. Clean out accumulated sawdust / debris.

Imported by
Black & Decker (U.S.) Inc.,
701 E. Joppa Rd.
Towson, MD 21286 U.S.A.



See ‘Tools-
Electric’
– Yellow Pages –
for Service &
Sales



BLACK&DECKER®

ALLIGATOR™ NLP1800

MODE D'EMPLOI

**Merci d'avoir choisi Black & Decker!
Consulter le site Web
www.BlackandDecker.com/NewOwner
pour enregistrer votre nouveau produit.**

A LIRE AVANT DE RETOURNER CE PRODUIT POUR QUELQUE RAISON QUE CE SOIT :

Si des questions ou des problèmes surgissent après l'achat d'un produit
Black & Decker, consulter le site Web

[HTTP://WWW.BLACKANDDECKER.COM/INSTANTANSWERS](http://WWW.BLACKANDDECKER.COM/INSTANTANSWERS)

pour obtenir des réponses instantanément 24 heures par jour.

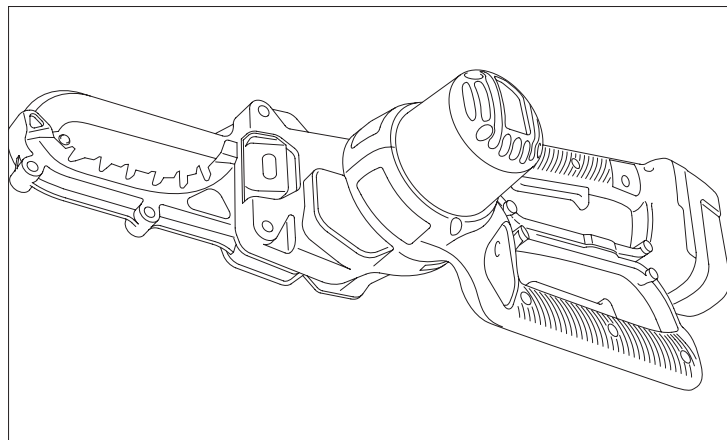
Si la réponse est introuvable ou en l'absence d'accès à Internet,
composer le 1-800-544-6986 de 8 h à 17 h HNE, du lundi au vendredi,
pour parler avec un agent.

Prière d'avoir le numéro de catalogue sous la main lors de l'appel.

CONSERVER CE MANUEL POUR UN USAGE ULTERIEUR.

VOICI DES RENSEIGNEMENTS IMPORTANTS QU'IL VOUS FAUT SAVOIR :

- **NE PAS EXERCER DE TENSION TROP FORTE SUR LA CHAÎNE.** Se reporter au chapitre « REGLAGE de la tension de la chaîne » pour savoir comment tendre la chaîne correctement.
- Resserrer la chaîne fréquemment lors des deux premières heures d'utilisation pour que celle-ci s'adapte.



Utilisation prévue

Votre ébrancheur Alligator Lopper^{MC} Black & Decker a été conçu pour élaguer les arbres et couper de petits rondins pouvant aller jusqu'à 100 mm (4 pouces) de diamètre. Cet outil se destine uniquement à être utilisé par les consommateurs.

Règles de sécurité générales

⚠ **AVERTISSEMENT** : Lire toutes les directives. Tout manquement aux directives suivantes pose des risques de choc électrique, d'incendie et/ou de blessure grave.

LIRE TOUTES CES DIRECTIVES.

⚠ Consignes de sécurité et avertissements pour les scies à chaîne

• Conserver la zone de travail propre

Les zones encombrées favorisent les blessures. Démarrer la coupe uniquement après avoir dégagé la zone de travail, avoir un bon équilibre et prévoir une voie de retrait lors de la chute de l'arbre.

• Penser à l'environnement de la zone de travail

Être extrêmement prudent lors de la coupe de broussailles ou de jeunes arbres, car les branches élançées peuvent se coincer dans la chaîne et être projetées vers vous ou vous déséquilibrer. Lors de la coupe d'une branche maîtresse sous tension, prendre garde à la détente lorsque la tension contenue dans les fibres de bois se relâche et que la branche risque de frapper l'utilisateur. Protéger la scie à chaîne contre la pluie et la neige. Ne pas utiliser la scie à chaîne dans des endroits humides ou mouillés ou sous la pluie ou la neige. Ne pas utiliser la scie à chaîne en présence de liquides ou de gaz inflammables ou de poussières concentrées dans un milieu clos. Couper uniquement s'il est possible de bien voir en présence d'une luminosité suffisante

• Éloigner les enfants, les curieux, les visiteurs et les animaux

Empêcher les visiteurs de toucher à la scie à chaîne. Tous les visiteurs doivent être tenus à l'écart de la zone de travail.

• Ranger la scie à chaîne inutilisée

Lorsqu'elle n'est pas utilisée, les scies à chaîne doivent être rangées dans un endroit sec, en hauteur ou dans un endroit

verrouillé, hors de la portée des enfants. Lors de l'entreposage, toujours retirer le bloc-piles et insérer le fourreau ou utiliser un coffret de rangement.

• **Ne pas saisir les lames** de coupe exposées ou les bords de coupe lorsqu'on ramasse ou tient l'appareil électrique.

• Ne pas forcer la scie à chaîne

Le travail sera mieux accompli et sera moins dangereux au rythme prévu pour l'outil.

• Utiliser l'outil approprié

Ne couper que le bois. Ne pas utiliser la scie à chaîne pour des applications pour lesquelles l'outil n'est pas conçu comme la coupe des matières plastiques ou métalliques, de la maçonnerie ou des matériaux de constructions qui ne sont pas en bois.

• S'habiller de manière appropriée

Ne pas porter de vêtements amples ni de bijoux. Tenir les cheveux, les vêtements et les gants hors de portée des pièces en mouvement. Les vêtements amples, bijoux ou cheveux longs pourraient s'enchevêtrer dans les pièces mobiles. Se couvrir les cheveux s'ils sont longs. Se tenir à l'écart des événements, car ils couvrent des pièces mobiles. Il est recommandé de porter des gants et des chaussures protecteurs antidérapants lors de travaux à l'extérieur. Toujours porter des pantalons longs épais ou une autre protection pour les jambes.

• Porter des lunettes de sécurité

Porter également des chaussures protectrices, des vêtements bien ajustés, des gants protecteurs et une protection auditive et respiratoire ainsi qu'un casque adéquats.

• Transport de la scie à chaîne

Transporter la scie à chaîne par la poignée avant avec l'outil hors tension, les doigts éloignés de la détente, le guide-chaîne et la chaîne de l'outil pointant vers l'arrière. Lors du transport de la scie, retirer le bloc-piles et fermer le verrou.

• Entretien soigné de la scie à chaîne

S'assurer que les outils sont aiguisés et propres afin d'optimiser sécurité et performance. Suivre les consignes de graissage et de changement d'accessoires. Maintenir les poignées sèches, propres et exemptes d'huile et de graisse.

• **Débrancher le bloc-piles**

Débrancher le bloc-piles de la scie à chaîne lorsque l'outil est inutilisé, avant l'entretien, lors du réglage de la tension de la chaîne, et lors de changements d'accessoires comme l'insertion d'une chaîne de rechange.

• **Rester vigilant**

Surveiller son travail. Faire preuve de jugement. Ne pas utiliser la scie à chaîne en cas de fatigue ou de maladie ou sous l'influence d'alcool, de drogues ou de médicaments. Éloigner toute partie du corps de la chaîne de l'outil lorsque le moteur est en marche. Avant de démarrer la scie à chaîne, s'assurer que la chaîne est dégagée, sans aucun contact avec des objets. Lors de la coupe de bois, se souvenir que la scie à chaîne coupe rapidement et poursuivra son parcours vers le bas ou le haut. Demeurer hors du parcours de l'outil.

• **Vérifier les pièces endommagées**

Avant toute utilisation ultérieure de la scie à chaîne, toute pièce endommagée doit être examinée soigneusement afin d'assurer un fonctionnement adéquat selon sa fonction prévue. Vérifier l'alignement des pièces mobiles, la présence de grippage des pièces mobiles, de rupture de pièces, l'assemblage et tout autre problème pouvant nuire au fonctionnement de l'outil. Un dispositif de protection endommagé, ou toute autre pièce endommagée, doit être réparé ou remplacé adéquatement par un centre de réparation autorisé à moins d'un avis contraire indiqué dans le présent mode d'emploi. Faire remplacer les interrupteurs défectueux à un centre de réparation autorisé. Ne pas utiliser la scie à chaîne si l'interrupteur ne fonctionne pas. Ne pas utiliser une scie à chaîne endommagée, incorrectement réglée ou qui n'est pas entièrement et solidement assemblée. S'assurer que la chaîne de la scie s'immobilise effectivement dès que la détente est relâchée.

• **Protection contre l'effet de rebond**

⚠ AVERTISSEMENT : L'EFFET DE REBOND se produit lorsque l'extrémité ou la partie supérieure du guide-chaîne frappe un objet ou lorsque la chaîne se coince dans une entaille. Le contact de l'extrémité pourrait provoquer une réaction inverse très rapide qui projetterait le guide-chaîne vers le haut et l'arrière en direction de

l'opérateur. Un coincement de la chaîne de la scie sur le dessus du guide-chaîne pourrait repousser rapidement le guide-chaîne vers l'arrière en direction de l'opérateur. Un ou l'autre de ces mouvements brusques pourrait vous faire perdre la maîtrise de la scie et se solder par une grave blessure corporelle.

Suivre les précautions qui suivent pour réduire l'effet de rebond notamment :

- (1.) Saisir fermement la scie à chaîne. Tenir fermement la scie à chaîne avec les deux mains lorsque le moteur est en marche. Utiliser une prise ferme avec les pouces et les doigts et encercler les poignées de la scie à chaîne. La scie à chaîne imprimera un mouvement avant lors de la coupe avec la partie inférieure du guide-chaîne et un mouvement arrière lors de coupe avec la partie supérieure du guide-chaîne.
- (2.) Ne pas trop se pencher.
- (3.) Conserver son équilibre en tout temps.
- (4.) Ne pas laisser l'extrémité du guide-chaîne frapper un billot, une branche, le sol ou tout autre obstruction.
- (5.) Ne pas couper au-dessus de la hauteur des épaules.
- (6.) Utiliser des dispositifs comme des chaînes à faible effet de rebond et des guides-chaîne à faible effet de rebond pour réduire les risques associés à l'effet de rebond.
- (7.) Utiliser uniquement des guides-chaîne et des chaînes de rechange précisés par le fabricant ou son équivalent.
- (8.) Ne pas mettre en contact la chaîne et tout objet se trouvant à l'extrémité du guide-chaîne.
- (9.) Tenir la zone de travail dégagée et exempte d'obstructions comme d'autres arbres, branches, roches, clôtures, souches, etc. Éliminer ou éviter toute obstruction que la scie à chaîne pourrait frapper lors d'une coupe d'un billot ou d'une branche en particulier.
- (10.) Maintenir la chaîne de la scie bien affûtée et tendue correctement. Une chaîne lâche ou émoussée peut augmenter le risque d'effet de rebond. Vérifier la tension à intervalles réguliers, avec le moteur hors tension et sans le bloc-piles, jamais avec le moteur en marche.
- (11.) Commencer et poursuivre la coupe uniquement lorsque la

chaîne fonctionne à plein régime. Si la chaîne tourne à un régime plus lent, le risque d'un effet de rebond est plus élevé.

(12.) Tronçonner un seul billot à la fois.

(13.) Faire très attention lorsque vous recommencez à scier à partir d'une entaille déjà entamée. Appuyer les butées cannelées contre le tronc et laisser la chaîne atteindre son plein régime avant de poursuivre la coupe.

(14.) Ne pas essayer de coupes en plongée ou le perçage de trous.

(15.) Prendre garde au déplacement des billots ou à d'autres forces qui pourraient faire refermer une entaille et pincer la chaîne ou qui pourraient tomber sur celle-ci.

• **Bloc d'alimentation**

Brancher le bloc-piles de la scie à chaîne à la tension appropriée, c'est-à-dire, s'assurer que l'alimentation en tension est la même que celle indiquée sur la plaque signalétique de l'outil.

Directives de sécurité supplémentaires concernant l'ébrancheur Alligator^{MC} Lopper

⚠ **AVERTISSEMENT** : Ne jamais utiliser l'outil en le portant au-delà de la hauteur des épaules. Toujours éviter de se tenir dans la trajectoire de la chute des branches et de débris.

⚠ **AVERTISSEMENT** : Ne pas utiliser cet outil pour abattre des arbres.

- Prévoir une sortie de sécurité à l'abri de la chute des branches et des débris. S'assurer que cette sortie ne comporte aucun obstacle qui pourrait empêcher ou gêner le mouvement. Se souvenir que l'herbe mouillée et les écorces fraîchement coupées sont glissantes.

- Prévoir la trajectoire de la chute d'une branche. Prendre en considération toutes les conditions qui pourraient affecter la trajectoire de la chute, y compris :

- La trajectoire voulue de la chute.

- L'inclinaison naturelle de la branche.

- Toute branche maîtresse anormalement lourde ou pourrie.

- Les arbres et les obstacles environnants, y compris les lignes aériennes.

- La vitesse et la direction du vent.

- La distance de sécurité entre la branche et les débris devant être abattus et les personnes à proximité, les bâtiments et autres objets doit être d'au moins 2 fois et demie la longueur de la branche. Toute personne à proximité, bâtiment ou objet dans le périmètre de cette distance court le risque d'être touché par la branche que l'on abat.

- Lors de la coupe d'une branche maîtresse sous tension, prendre garde à la détente. Lorsque la tension contenue dans les fibres de bois se relâche, la branche maîtresse pendant la détente risque de frapper l'utilisateur et/ou de lui faire perdre le contrôle de son outil.

- Toujours porter un équipement de sécurité approprié comme de solides chaussures antidérapantes, des lunettes de protection et des gants lorsque vous utilisez l'outil.

- S'assurer qu'une personne est à proximité (à une distance sûre) en cas d'accident.

- Ne pas essayer d'utiliser l'outil si vous êtes dans l'arbre, sur une échelle, ou si vous vous trouvez sur tout autre support instable.

- Conserver son équilibre en tout temps.

- Tenir fermement l'outil entre les deux mains lorsque le moteur est en marche.

- Maintenir les poignées sèches, propres et exemptes d'huile et de graisse. Des poignées pleines de graisse sont glissantes et peuvent vous faire perdre le contrôle de votre outil.

- Ne pas mettre en contact la chaîne et tout objet se trouvant à l'extrémité de la barre de guidage.

- S'assurer que la chaîne de votre scie est correctement tendue. Vérifier la tension de la chaîne à intervalles réguliers, après avoir éteint le moteur et débranché la pile.

- Commencer et continuer à couper uniquement lorsque la chaîne fonctionne à plein régime.

- Prendre garde au déplacement des branches ou à d'autres forces qui pourraient faire tomber et coincer un morceau de bois ou de la résine dans la chaîne.

- Faire très attention lorsque vous recommencez à scier à partir d'une coupe déjà entamée. Engagez les dents de la mâchoire inférieure dans le bois et permettez à la chaîne d'atteindre son plein régime avant de commencer à couper.

- L'utilisation de cet outil pour toute opération autre que celle pour laquelle il a été conçu est dangereuse. Ne couper que le bois. Ne pas utiliser cet outil à des fins pour lesquelles il n'a pas été conçu – par exemple – Ne pas utiliser pas cet outil pour couper du plastique, des produits de maçonnerie et des matériaux autres que le bois.

- Si des débris se logent dans le dispositif de sécurité ou l'outil, arrêter d'utiliser l'outil, débrancher le cordon d'alimentation et enlever les débris.

- Remplacer les chaînes et les barres de guidage de la chaîne lorsqu'elles sont usées.

- Utiliser uniquement les barres et les chaînes de remplacement spécifiées par le fabricant.

- Cette scie est conçue pour une utilisation peu fréquente par des propriétaires de maison ou de chalets et des campeurs, et ce, à des fins d'applications générales, telles que le nettoyage, l'élagage de branches et la coupe de bois de foyer, etc. Il n'est pas destiné à une utilisation prolongée. Des périodes de fonctionnement prolongées peuvent provoquer des problèmes circulatoires aux mains dus aux vibrations. Pour une telle utilisation, Il serait mieux d'utiliser un ébrancheur avec un dispositif de protection contre les vibrations.

Directives de sécurité concernant l'effet de rebond

Protection contre l'effet de rebond. L'effet de rebond est un mouvement vers le haut de la barre de guidage provoqué par le contact de la chaîne, au bout de la barre de guidage, avec d'un objet. L'effet de rebond peut provoquer une perte de maîtrise dangereuse de l'ébrancheur.

⚠ AVERTISSEMENT : Votre ébrancheur Alligator Lopper^{MC} est équipé des caractéristiques suivantes afin d'aider à réduire les risques liés à l'effet de rebond ; toutefois, ces caractéristiques

n'élimineront pas totalement cette dangereuse réaction. En tant qu'utilisateur de tronçonneuse, ne pas se fier uniquement aux dispositifs de sécurité. Vous devez respecter toutes les précautions, directives et consignes d'entretien et de sécurité contenues dans ce manuel afin d'essayer d'éviter l'effet de rebond et autres forces qui pourraient entraîner de graves blessures.

Mâchoire supérieure – Celle-ci a été conçue spécifiquement pour couvrir l'extrémité du guide chaîne à l'endroit précis de la zone de danger propice à l'effet de rebond. Si un effet de rebond survient, le pare-main permet aussi de réduire le risque que la chaîne entre en contact avec l'utilisateur.

Barre de guidage à effet de rebond réduit – Cette caractéristique a été conçue avec une extrémité à petit rayon qui réduit la taille de la zone d'effet de rebond sur l'extrémité de la barre.

Chaîne à effet de rebond réduit - Equipée d'un guide profondeur profilé et d'un lien de pare-main qui dévie la force de l'effet de rebond et permet à la lame de s'enfoncer progressivement dans le bois.

Sécurité en matière d'électricité

Cet outil et le chargeur sont doublement isolés; un fil de mise à terre n'est donc pas requis. Toujours vérifier que l'alimentation électrique correspond au voltage de la plaque signalétique.

⚠ AVERTISSEMENT : Certaines poussières produites par les activités de ponçage, de sciage, de meulage, de perçage et autres activités de construction peuvent contenir des produits chimiques pouvant causer le cancer, des anomalies congénitales ou d'autres problèmes liés aux fonctions reproductrices. Voici quelques exemples de ces produits chimiques :

- le plomb contenu dans les peintures à base de plomb;
 - la silice cristalline de la brique, du ciment et d'autres produits de maçonnerie ;
 - l'arsenic et le chrome provenant de bois traité chimiquement. (CCA)
- Les risques liés à l'exposition à ces poussières varient selon la

fréquence à laquelle l'utilisateur travaille avec ce type de matériaux. Afin de réduire votre exposition à ces produits chimiques : travailler dans un endroit bien ventilé et porter un équipement de sécurité approuvé comme un masque anti-poussières conçu spécialement pour filtrer les particules microscopiques.

- **Éviter le contact prolongé avec les poussières produites par les activités de ponçage, sciage, meulage, perçage et autres activités de construction. Porter des vêtements de protection et laver les parties du corps exposées avec une solution d'eau et de savon.** Le fait de laisser la poussière pénétrer dans la bouche et les yeux ou de la laisser reposer sur la peau, peut promouvoir l'absorption de produits chimiques nocifs.

⚠ AVERTISSEMENT : L'utilisation de cet outil peut produire ou propulser des poussières qui pourraient causer des problèmes respiratoires graves et permanents ou d'autres problèmes médicaux. Toujours porter un appareil respiratoire approuvé par la NIOSH/OSHA pour se protéger de la poussière. Diriger les particules loin du visage et du corps.

⚠ MISE EN GARDE : porter une protection auditive appropriée lors de l'utilisation de cet appareil. Dans certaines conditions et selon la durée d'utilisation, le bruit émis par cet outil pourrait contribuer à une perte auditive.

L'étiquette apposée sur votre outil peut comprendre les symboles suivants.

V.....volts	Aampères
Hz.....hertz	Wwatts
minminutes	~courant alternatif
===courant continu	nonvitesse à vide
☐Assemblage de classe II	⊕.....borne de terre
⚠symbole d'alerte à la sécurité	.../minrotations par minute

CONSERVER CES DIRECTIVES

TERMINOLOGIE ET NOMENCLATURE RELATIVES À L'ÉBRANCHEUR

- **Tronçonnage** – le processus de coupe transversale d'un arbre abattu ou d'un billot en morceaux.
- **Frein de chaîne** – le dispositif servant à arrêter le mouvement de la chaîne instantanément en cas de rebond.
- **Tête motorisée de l'ébrancheur** – un ébrancheur sans chaîne et barre de guidage.
- **Embrayage** – un mécanisme qui engage et désengage du moteur, une pièce entraînée par un élément rotatif motorisé.
- **Pignon d'entraînement ou pignon** – la pièce dentée qui entraîne la chaîne de l'outil.
- **Coupe** – le processus de coupe d'un arbre.
- **Trait d'abattage** – la dernière entaille pratiquée au côté opposé à l'entaille d'abattage sur le tronc d'un arbre.
- **Barre de guidage** – une solide structure sur rail qui supporte et guide la chaîne de l'outil.
- **Effet de rebond** – le mouvement vertical ou arrière, ou les deux simultanément, de la barre de guidage, lorsque la chaîne près de l'extrémité supérieure de la barre de guidage, frappe un objet tel un billot ou une branche ou, lorsque la chaîne est prise dans une entaille du tronc.
- **Effet de rebond par pincement** - le refoulement rapide de la chaîne lorsque l'entaille dans le tronc se referme et pince la chaîne en mouvement et la bloque près de l'extrémité de la barre de guidage.
- **Effet de rebond par rotation** - le mouvement vertical ou arrière rapide de l'ébrancheur lorsque la chaîne en mouvement près de l'extrémité supérieure de la barre de guidage frappe un objet tel un billot ou une branche.
- **Chaîne à faible effet de rebond** – une chaîne conforme aux exigences de performance de rebond de la norme ANSI B175.1-1991 (lors d'essais sur un échantillon représentatif d'ébrancheurs).

- **Position normale de coupe** – ces positions sont utilisées lors du tronçonnage et des entailles d'abattage.
- **Barre de guidage à faible rebond** – une barre de guidage qui réduit de façon significative et prouvée l'effet de rebond.
- **Chaîne de rechange** – une chaîne conforme aux exigences de performance de rebond de la norme ANSI B175.1-1991 lors d'essais avec des modèles spécifiques d'ébrancheurs. Il est possible que cette chaîne ne soit pas conforme aux exigences de performance ANSI si utilisée sur d'autres modèles d'outils.
- **Chaîne pour ébrancheur** – une chaîne dentée en V, qui coupe le bois et est entraînée par le moteur et supportée par la barre de guidage.
- **Interrupteur** – un dispositif qui, lorsque actionné, complète ou interrompt un circuit électrique du moteur de l'ébrancheur.
- **Bielle** – un mécanisme qui transmet le mouvement lorsque la détente de l'interrupteur est déclenchée.

DESCRIPTION FONCTIONNELLE

1. Mâchoire supérieure
2. Mâchoire inférieure
3. Barre de guidage de la chaîne
4. Couvercle du lubrifiant
5. Verrou
6. Bloc-piles
7. Actionneurs de l'interrupteur Marche/Arrêt
8. Point d'éjection des copeaux
9. Chargeur
10. Réceptacle du chargeur

Information concernant le capuchon du bloc-pile

Un capuchon est fourni avec le bloc-pile (**fig. A**) en vue d'être utilisé chaque fois qu'on retire ce dernier de l'outil ou du chargeur en vue de le ranger ou de le transporter; enlever le capuchon avant de remettre le bloc-pile dans le chargeur ou dans l'outil.

⚠ AVERTISSEMENT : risque d'incendie. Ne pas ranger ni ne transporter les piles de manière à ce que des objets métalliques puissent entrer en contact avec les bornes exposées des piles. Par exemple, ne pas mettre un bloc-piles dans un tablier, une poche, une boîte à outils, une boîte de nécessaire de produit ou un tiroir contenant des objets tels que des clous, **des vis ou des clés, car tout contact accidentel entre les bornes à découvert et un objet métallique conducteur comme une clé, une pièce de monnaie, un outil à main, etc. risque de provoquer un incendie.** La Hazardous Material Regulations (réglementation sur les produits dangereux) du département américain des transports interdit en fait le transport des blocs-piles pour le commerce et dans les avions (c.-à-d. dans des valises et les bagages à main) À MOINS qu'ils ne soient bien protégés contre les courts-circuits. Pour le transport de piles individuelles, on doit donc s'assurer que les bornes sont protégées et bien isolées contre toute matière pouvant entrer en contact

⚠ Avertissements de sécurité et directives : chargement

1. Ce mode d'emploi renferme d'importantes directives de sécurité et d'utilisation.
2. Avant d'utiliser le chargeur, lire toutes les directives et les indications d'avertissement apposées sur le chargeur, le bloc-piles et le produit qui utilise le bloc-piles.
3. **⚠ MISE EN GARDE :** pour réduire le risque de blessures, charger seulement les bloc-piles Black & Decker. D'autres types de bloc-piles peuvent exploser et provoquer des blessures corporelles et des dommages.
4. Protéger le chargeur contre la pluie et la neige.
5. L'utilisation d'un équipement non recommandé ou vendu par Black & Decker peut entraîner un incendie, un choc électrique ou des blessures corporelles.
6. Pour réduire le risque de dommages à la fiche et au cordon d'alimentation, tirer sur la fiche plutôt que sur le cordon pour déconnecter le chargeur.

7. S'assurer que le cordon est situé en lieu sûr de manière à ce que personne ne marche ni ne trébuche dessus ou à ce qu'il ne soit pas endommagé ni soumis à une tension.
8. Il est préférable de ne pas utiliser une rallonge à moins que cela ne soit absolument nécessaire. L'utilisation d'une rallonge inadéquate risque d'entraîner un incendie, un choc électrique ou une électrocution.
 - a. Les cordons à deux fils peuvent être utilisés avec les rallonges à 2 ou 3 fils. Utiliser uniquement des rallonges rondes gainées. Nous recommandons également qu'elles soient homologuées par l'organisme Laboratoires des assureurs du Canada (LAC). Si la rallonge est utilisée à l'extérieur, elle doit être prévue à cet effet. Toute rallonge marquée pour un usage extérieur peut aussi être utilisée à l'intérieur. Les lettres « W » ou « WA » inscrites sur la gaine de la rallonge indiquent qu'elle convient à un usage extérieur.
 - b. Une rallonge doit présenter un calibre adéquat (AWG ou American Wire Gauge) pour assurer la sécurité et éviter toute perte de puissance et toute surchauffe. Plus le numéro de calibre de fil est petit et plus sa capacité est grande, par exemple un calibre 16 a plus de capacité qu'un calibre 18. Si plus d'une rallonge est utilisée pour obtenir la longueur totale, s'assurer que chaque rallonge présente au moins le calibre de fil minimum.
9. Utiliser seulement le chargeur fourni pour charger. L'utilisation de tout autre chargeur risque d'endommager le bloc-piles ou de créer une condition dangereuse.
10. Utiliser un seul chargeur pour charger.
11. Ne pas tenter d'ouvrir le chargeur. Aucune pièce à l'intérieur ne peut être réparée par le client. Retourner le produit à tout centre de réparation Black & Decker autorisé.
12. NE PAS INCINÉRER le bloc-piles même s'il est sérieusement endommagé ou complètement usé. Les blocs-piles peuvent exploser en présence de flammes.
13. Une petite fuite de liquide peut se produire dans les cellules du bloc-piles en cas d'utilisation, de charge ou de conditions de température extrêmes. Cela n'indique pas de défaillance. Toutefois, si le joint d'étanchéité extérieur est rompu et que le liquide entre en contact avec la peau :
 - a. laver rapidement la zone touchée au savon et à l'eau;
 - b. neutraliser l'effet au moyen d'un acide doux comme du jus de citron ou du vinaigre et ;
 - c. si le liquide de la pile entre en contact avec les yeux, les rincer abondamment à l'eau propre, pendant un minimum de 10 minutes, puis obtenir des soins médicaux. **REMARQUE AUX FINS MÉDICALES** : le liquide est composé d'une solution de 25 % à 35 % d'hydroxyde de potassium.

Recommandations d'entreposage

1. Ranger l'outil :
 - a.) après avoir extrait le bloc-piles et l'avoir mis sur le chargeur
 - b.) dans un endroit frais et sec à l'écart des rayons directs du soleil et de la chaleur ou du froid excessif(ve);
 - c.) hors de la portée des enfants.
2. Pour un entreposage prolongé (comme au cours de la période hivernale), charger complètement le bloc-piles puis le retirer du chargeur. Le charger de nouveau au printemps, avant toute utilisation.

ENSEMBLE DE PILES DANS LE CHARGEUR

Il n'est pas dangereux de laisser le bloc-piles dans le chargeur durant une longue période de temps. Le chargeur est doté d'un mode d'entretien qui donne suffisamment de charge au bloc-piles pour que celui-ci demeure chargé. Toutefois, si l'on ne prévoit pas utiliser l'outil durant plus de 30 jours, débrancher le chargeur et ranger le bloc-piles dans un endroit frais et sec.

REMARQUE : Le bloc-piles perdra sa charge une fois retiré du chargeur. Si le bloc-piles n'a pas été maintenu chargé (charge d'entretien), il peut être nécessaire de le recharger avant de l'utiliser. Un bloc-piles peut perdre sa charge s'il est laissé dans un chargeur qui n'est pas branché à une source de c.a. appropriée.

Chargement du bloc-piles

LE BLOC-PILE N'EST PAS COMPLÈTEMENT CHARGÉ EN USINE. CHARGE BLOC-PILE PENDANT AU MOINS 9 HEURES AVANT UTILISATION.

Le chargeur est conçu pour utiliser une alimentation domestique standard de 120 V, 60 Hz.

1. Brancher le chargeur dans une prise électrique standard de 120 volts, 60 Hz.
2. Glisser le chargeur sur le bloc-piles comme le montre la **figure B**, puis laisser le bloc-piles se charger pendant **9 heures** la première fois. Après la première charge, dans le cas d'une utilisation normale, le bloc-piles devrait se recharger entièrement en **6 à 9 heures**.
- 2 a) Durant la charge, le voyant DEL vert s'allume.
- 2 b) Lorsque la charge est terminée, le voyant DEL vert s'éteint.
3. Débrancher le chargeur, puis enlever le bloc-piles. **Insérer le bloc-piles dans l'outil de manière à ce qu'il s'enclenche en position (fig. C).**

REMARQUE : pour retirer le bloc-piles, appuyer sur le bouton de dégagement au dos du bloc-piles, puis faire glisser ce dernier (fig. D).

NOTES IMPORTANTES RELATIVES AU CHARGEMENT

1. Après une utilisation normale, le chargement complet du bloc-pile prend de 6 à 9 heures. Lorsque le bloc-pile est complètement à plat, cela peut prendre jusqu'à 9 heures. Le bloc-pile n'est pas chargé à sa sortie de l'usine. Avant de s'en servir, il faut donc le charger pendant au moins 9 heures.
2. **NE PAS charger le bloc-pile lorsque la température ambiante est inférieure à 4.5 °C (40 °F) ou supérieure à 40.5 °C (105 °F).**

Cette mesure est importante et elle prévient de graves dommages aux blocs-piles. On optimise la durée et le rendement du bloc-pile lorsqu'on le charge à une température ambiante d'environ 24 °C (75 °F).

3. Le chargeur peut émettre des sons et devenir chaud au toucher pendant le chargement. Cette situation est normale et ne pose aucun problème.
4. Lorsque le bloc-pile n'est pas bien chargé, faire ce qui suit.
(1) Vérifier l'alimentation de la prise en y branchant une lampe ou un autre appareil. (2) Vérifier si la prise est reliée à un interrupteur pour l'éclairage qui met la prise hors circuit lorsqu'on éteint les lumières. (3) Déplacer le bloc-pile et le chargeur dans un endroit où la température ambiante se situe entre 4.5 °C (40 °F) et 40.5 °C (105 °F). (4) Si le problème persiste, il faut confier le bloc-pile et le chargeur au personnel du centre de service Black & Decker de la région. Consulter la rubrique «Outils électriques» des Pages Jaunes.
5. Il faut charger la pile lorsqu'elle ne fournit plus la puissance nécessaire pour effectuer les tâches avec autant de facilité qu'auparavant. **NE PLUS SE SERVIR** de l'outil lorsque le bloc-pile est à plat.
6. Le bloc-pile atteint son rendement optimal après cinq cycles de chargement dans des conditions d'utilisation normales. Il n'est pas nécessaire que le bloc-pile soit complètement à plat pour le recharger. Une utilisation normale consiste en la meilleure manière de décharger et de recharger les piles.

Préparation pour l'utilisation de votre ébrancheur Alligator Lopper^{MC}

⚠ AVERTISSEMENT : S'assurer de lire et de comprendre toutes les directives. Ne pas suivre les directives figurant ci-après peut causer un choc électrique, un incendie et des blessures corporelles graves

⚠ AVERTISSEMENT : **lame tranchante en mouvement. Afin d'éviter toute fausse manoeuvre, s'assurer que la pile est débranchée de l'outil avant d'effectuer les manoeuvres suivantes.** Négliger d'agir ainsi risque de causer des blessures corporelles graves.

⚠ MISE EN GARDE : Lame mobile tranchante. Toujours porter des gants de protection lorsque vous installez ou enlevez la chaîne. La chaîne est tranchante et peut vous couper même lorsqu'elle est au repos.

Réglage de la tension de la chaîne (fig. E)

⚠ AVERTISSEMENT : avant de régler la tension de la chaîne ou de procéder à d'autres réglages, s'assurer que la pile est débranchée de l'appareil.

Remplacer la chaîne si elle ne peut être correctement tendue. Communiquer avec votre centre de réparation le plus proche. Cet outil est déjà assemblé. Toutefois, nous vous recommandons de vérifier la tension de la chaîne et les boulons de retenue de la chaîne avant d'utiliser l'outil et de les régler au besoin.

Vérification et réglage de la tension de la chaîne (fig. E)

Pour tendre la chaîne, desserrer les deux boulons de retenue du couvercle de la chaîne (11) avec la clé (12), et le mécanisme de tension de la chaîne poussera le guide-chaîne vers l'extérieur, réglant ainsi la chaîne à la bonne tension.

Bien resserrer les deux boulons de retenue (11).

Vérifier que la tension est correctement réglée en tirant légèrement sur la chaîne. La tension est correcte lorsque la chaîne revient en place après l'avoir écartée de 3 mm (1/8 pouces) de la barre de guidage. Il ne doit pas y avoir de flottement entre la barre de guidage et la chaîne dans la partie inférieure.

Remarque : Ne pas trop tendre la chaîne car ceci pourrait entraîner une usure excessive et réduire la durée de vie du guide et de la chaîne. Cela pourrait aussi diminuer la performance de l'appareil.

Remarque : Lorsque vous utilisez l'appareil pour la première fois ou que la chaîne est nouvelle, vérifier fréquemment la tension de celle-ci car une chaîne se détend facilement.

Remplacement de la chaîne et du guide-chaîne

Après une longue utilisation, la chaîne et/ou le guide chaîne ont besoin d'être remplacés. Utiliser uniquement la chaîne de rechange Black & Decker RC600.

La chaîne de scie à faible rebond est une chaîne qui a répondu aux exigences ANSI B175.1 de performance en matière de rebond lorsqu'elle a été testée sur un échantillon représentatif de scies à chaîne.

Retrait de la chaîne de scie et du guide-chaîne (fig. F et G)

⚠ AVERTISSEMENT : avant de régler la tension de la chaîne ou de procéder à d'autres réglages, s'assurer que la pile est débranchée de l'appareil.

⚠ AVERTISSEMENT : Risque de lacération. Toujours porter des gants de protection lorsque vous installez ou enlevez la chaîne. La chaîne est tranchante et peut vous couper même lorsqu'elle est au repos.

⚠ AVERTISSEMENT : Risque de brûlure. La barre du guide chaîne et la chaîne peuvent devenir chaudes pendant l'utilisation de l'outil. Laisser refroidir avant de la régler ou de l'enlever.

- Placer l'outil sur une surface ferme.
- Faire tourner les deux boulons de retenue (11) dans le sens antihoraire avec la clé (12) fournie et les enlever complètement.
- Enlever le couvercle d'accès à la chaîne (13).
- Ouvrir les poignées et retirer le couvercle de la chaîne (1)
- Retirer le guide chaîne (3) puis enlever la chaîne (14) de la rainure de la barre de guidage. La chaîne (14) peut ensuite être enlevée de l'appareil.
- Le guide-chaîne peut être déplacé selon un angle.

Assemblage de la chaîne et du guide chaîne (fig. G & H)

⚠ AVERTISSEMENT : avant de régler la tension de la chaîne ou de procéder à d'autres réglages, s'assurer que la pile est débranchée de l'outil.

⚠ AVERTISSEMENT : Toujours porter des gants de protection lorsque vous installez ou enlevez la chaîne. La chaîne est tranchante et peut vous couper même lorsqu'elle est au repos.

- S'assurer de faire cette opération sur une surface ferme.
- Ouvrir les poignées et retirer le couvercle de la chaîne (1)

- Insérer le guide-chaîne dans l'espace entre le tendeur de chaîne et l'aligner avec le repère du guide-chaîne; déplacer le guide-chaîne vers le bas selon un angle en vous assurant qu'il est bien placé.
- Placer la chaîne (14) autour de l'avant du guide chaîne et l'engager dans le pignon de renvoi du guide chaîne. S'assurer que la chaîne est correctement en place, avec les dents coupantes vers l'avant comme indiqué ici.



- Tirer le guide chaîne et la chaîne vers l'arrière en l'engageant dans la rainure du guide chaîne puis au-dessus du pignon (15) en positionnant les dents de la bonne manière sur le pignon.
- Remettre en place le couvercle d'accès à la chaîne (13) et les boulons de retenue (11) en les serrant bien.

Fonctionnement

Ne jamais utiliser un ébrancheur endommagé ou incorrectement réglé ou qui n'est pas entièrement et solidement monté. S'assurer que la chaîne s'arrête lorsque les détentes du système de contrôle électrique sont relâchées. Ne jamais régler la barre de guidage ou la chaîne avec le moteur en marche.

⚠ AVERTISSEMENT : Laisser l'outil fonctionner à son propre rythme. Ne pas le surcharger.

- Effectuer un nettoyage régulier de l'outil en suivant les consignes données dans la section Entretien ; nettoyer en particulier l'intérieur du couvercle d'accès à la chaîne.
- Le pare-main inférieur (2) et le pare-main supérieur (1) sont conçus pour se fermer lorsque l'on relâche l'une des poignées ou qu'un morceau de branche en cours de coupe a été coupé. Si cela ne se produit pas, arrêter d'utiliser l'outil et retirer le bloc-piles. Vérifier si des débris ne bloquent pas le mouvement. Pour faciliter cette procédure, il vous faudra peut-être enlever le couvercle d'accès à la chaîne (13). Si le problème persiste lors de l'assemblage, apporter l'outil à un centre de réparation.

Lubrification (Fig. I)

Une huile de grande qualité pour barres et chaînes ou une huile à moteur de grade SAE30 doit être utilisée pour lubrifier les barres et les chaînes. L'utilisation d'une huile à base végétale pour barres et chaînes est recommandée pour l'élagage des arbres. Ne jamais utiliser d'huile de rebut ou très épaisse. Ces types d'huile peuvent endommager votre chaîne.

- Avant la première utilisation et toutes les dix minutes d'utilisation successive, il vous faut lubrifier l'outil avec l'huile pour chaîne recommandée. Ouvrir le couvercle du lubrifiant (4) et insérer le flacon dans l'orifice de remplissage d'huile (16), et appuyer une fois sur le flacon pour faire couler l'huile.
- Ceci devrait suffire à 10 minutes de coupe selon la vitesse de coupe et le type de bois.
- L'orifice dispense de l'huile sur toute la chaîne et le guide chaîne ; trop d'huile sur l'outil pourrait signifier que l'huile s'écoule de l'outil tout autour de la mâchoire. Ceci est normal et ne devrait en rien vous inquiéter.

Mise en marche et arrêt (fig. J)

Pour votre sécurité, cet outil est équipé d'un système à deux interrupteurs. Ceci permet d'empêcher de démarrer l'outil involontairement. Une scie à chaîne est conçue pour être utilisée avec les deux mains. L'utilisation de la scie d'une seule main peut causer de graves blessures à l'opérateur, les aides ou les personnes à proximité.

Mise en marche (fig. K)

Pour ouvrir les poignées, faire glisser le verrou (5) vers l'arrière et séparer les deux poignées. S'assurer de bien avoir les poignées en main puis serrer les deux actionneurs de l'interrupteur pour allumer l'outil.

Remarque : Les deux interrupteurs doivent être activés pour pouvoir utiliser l'outil.

Ne pas forcer l'outil – le laisser faire le travail. Il effectuera mieux son travail et de manière plus sûre à la vitesse pour laquelle il a été conçu. Une force excessive détendra la chaîne.

Si la chaîne ou le guide chaîne se coince :

- Éteindre l'outil.
- Retirer le bloc-piles de l'outil.
- Ouvrir la coupe avec des cales pour réduire la tension infligée au guide chaîne. Ne pas tenter de décoincer la chaîne avec la clé. Commencer une nouvelle coupe.

Après utilisation, fermer les poignées et faire glisser le verrou (5) vers l'avant en position de verrouillage. Les poignées doivent être verrouillées durant le transport ou l'entreposage de l'outil.

Taillage des branches

- S'assurer que l'outil fonctionne à plein régime avant d'entamer une coupe.
- Bien tenir l'outil en place pour éviter qu'il ne rebondisse ou qu'il oscille de gauche à droite.
- Guider l'outil en appuyant légèrement dessus.
- Toujours couper vers le bas en partant du haut. Vous éviterez ainsi de pincer la chaîne de l'outil.
- **Enlever les branches comme dans la Fig. L.** En partant du bout de la branche, réduire la branche par étapes logiques en coupant de petites parties. - Lors de la coupe d'une branche maîtresse sous tension, prendre garde à la détente.
- Lorsque la tension contenue dans les fibres de bois se relâche, la branche maîtresse pendant la détente risque de frapper l'utilisateur et/ou de lui faire perdre le contrôle de son outil.
- Dégager l'outil de la coupe pendant qu'il fonctionne en plein régime.

Entretien

Votre outil Black & Decker a été conçu pour fonctionner longtemps et demander un minimum d'entretien. Un fonctionnement satisfaisant continu dépend du bon entretien et du nettoyage régulier de l'outil.

⚠ **AVERTISSEMENT :** Avant d'effectuer tout entretien ou nettoyage de l'outil. Retirer le bloc-piles de l'outil.

Nettoyage

- Enlever régulièrement le couvercle d'accès de la chaîne et ôter tout débris qui s'y trouve.
- Nettoyer régulièrement les orifices de ventilation au moyen d'un pinceau propre et sec.
- Pour nettoyer l'outil, utiliser uniquement un savon doux et un chiffon humide. Ne jamais laisser de liquide pénétrer dans l'outil et n'immerger aucune partie de l'outil dans un liquide.

Lubrification

- Lubrifier régulièrement les points de lubrification (16) comme l'indique la **figure I**.

Transport

- Toujours transporter l'outil avec les mâchoires fermées et le verrou en position de verrouillage.

Affûtage de la chaîne

⚠ **MISE EN GARDE :** chaîne tranchante. Toujours porter des gants protecteurs lors de la manipulation de la chaîne. La chaîne est tranchante et peut vous couper même lorsqu'elle est au repos.

⚠ **AVERTISSEMENT :** chaîne tranchante mobile. Pour prévenir tout fonctionnement accidentel, s'assurer de débrancher le bloc-piles de l'outil avant d'effectuer les opérations suivantes. Le non-respect de cette directive risque d'entraîner des blessures corporelles graves.

Pour optimiser le rendement de la scie à chaîne, il est primordial de tenir les dents affûtées. Suivre les conseils pratiques ci-dessous pour un affûtage correct de la chaîne :

1. Retirer la chaîne de scie et utiliser un étiau à chaîne lors de l'aiguisage. Voir la section « Retrait de la chaîne de scie et du guide-chaîne ».
2. Pour de meilleurs résultats, utiliser une lime de 4,5 m et un porte-lime ou un guide de lime pour affûter la chaîne. Ces instruments garantissent un angle d'affûtage correct.
3. Déposer le porte-lime à plat sur la plaque supérieure et dans le guide de profondeur de l'élément tranchant.
4. **(Figure M)** Maintenir le bon angle de limage de 30° de la plaque supérieure sur votre porte-lime parallèle à la chaîne (lime à 60° de la chaîne vue du dessus).
5. **(Figure N)** Affûter les dents d'un seul côté d'abord. Affûter chaque dent de l'intérieur vers l'extérieur. Puis retourner la scie à chaîne et répéter le processus (2, 3, 4) pour les dents traçantes de l'autre côté de la chaîne. Utiliser une lime plate pour limer la partie supérieure des dents rabotantes (partie d'un maillon devant une dent traçante) de sorte qu'elles soient à environ 6,3 micromètres (0,025 po) sous les extrémités des dents traçantes.
6. **(Figure O)** Maintenir toutes les dents de la même longueur.
7. En présence de dommage à la surface chromée des plaques supérieures ou latérales, limer jusqu'à la disparition de la marque.

⚠ MISE EN GARDE : après le limage, les dents seront très tranchantes. Être très attentif lors de ce travail.

REMARQUE : à chaque affûtage, la chaîne perd un peu de ses propriétés de faible effet de rebond et l'opérateur se doit d'être très prudent. Il est recommandé de ne pas affûter une chaîne plus de quatre fois.

Rangement

- Lorsque l'outil ne sera pas utilisé pendant plusieurs mois, essuyer tous les éléments en métal avec de l'huile.
- Ranger l'outil dans un endroit sûr et sec. La plage de températures pour la pièce où l'outil sera rangé doit toujours être de +5° C (104° F) à 40° C (104° F). Placer l'outil dans un endroit sûr et hors de portée.

IMPORTANT : Pour garantir la SÉCURITÉ et la FIABILITÉ du produit, les réparations, l'entretien et le réglage doivent être réalisés par un centre de réparation autorisé ou tout autre centre de réparation professionnel, et des pièces de rechange identiques doivent être utilisées.

Accessoires

Les chaînes et barres de remplacement sont disponibles chez votre centre de réparation Black & Decker le plus proche.

Numéro de catalogue de la chaîne de remplacement : RC600

L'utilisation de tout accessoire non recommandé dans ce manuel peut présenter un danger.

Information sur les réparations

Tous les centres de réparation Black & Decker sont dotés de personnel qualifié en matière d'outillage électrique; ils sont donc en mesure d'offrir à leur clientèle un service efficace et fiable. Que ce soit pour un avis technique, une réparation ou des pièces de rechange authentiques installées en usine, communiquer avec l'établissement Black & Decker le plus près de chez vous. Pour trouver l'établissement de réparation de votre région, consulter le répertoire des Pages jaunes à la rubrique « Outils électriques » ou composer le numéro suivant : **1-800-544-6986** ou consulter le site **www.blackanddecker.com**

Garantie complète de deux ans pour une utilisation domestique

Black & Decker (É.-U.) Inc. garantit ce produit pour une durée de deux ans contre tout défaut de matériau ou de fabrication. Le produit défectueux sera remplacé ou réparé sans frais de l'une des deux façons suivantes :

La première façon consiste en un simple échange chez le détaillant qui l'a vendu (pourvu qu'il s'agisse d'un détaillant participant). Tout retour doit se faire durant la période correspondant à la politique d'échange du détaillant (habituellement, de 30 à 90 jours après l'achat). Une preuve d'achat peut être requise. Vérifier auprès du détaillant pour connaître sa politique concernant les retours hors de la période définie pour les échanges.

La deuxième option est d'apporter ou d'envoyer le produit (transport payé d'avance) à un centre de réparation autorisé ou à un centre de réparation de Black & Decker pour faire réparer ou échanger le produit, à notre discrétion. Une preuve d'achat peut être requise. Les centres Black & Decker et les centres de service autorisés sont répertoriés dans les pages jaunes, sous la rubrique « Outils électriques ».

Cette garantie ne s'applique pas aux accessoires. Cette garantie vous accorde des droits légaux spécifiques et vous pourriez avoir d'autres droits qui varient d'un État ou d'une province à l'autre. Pour toute question, communiquer avec le directeur du centre de

réparation Black & Decker le plus près de chez vous. Ce produit n'est pas destiné à un usage commercial.

REMPACEMENT GRATUIT DES ÉTIQUETTES

D'AVERTISSEMENT : si les étiquettes d'avertissement deviennent illisibles ou sont manquantes, composer le **1-800-544-6986** pour en obtenir le remplacement gratuit.

Imported by / Importé par
Black & Decker Canada Inc.
100 Central Ave.
Brockville (Ontario) K6V 5W6

Voir la rubrique "Outils électriques"
des Pages Jaunes
pour le service et les ventes.



Section de dépannage

Si votre scie à chaîne ne fonctionne pas correctement, vérifier les points suivants :

<u>Problème</u>	<u>Cause possible</u>	<u>Solution possible</u>
<ul style="list-style-type: none"> Absence de démarrage de l'outil. 	<ul style="list-style-type: none"> Mauvaise installation du bloc-piles. Bloc-piles non chargé. 	<ul style="list-style-type: none"> Vérifier l'installation du bloc-piles. Vérifier les exigences de charge pour le bloc-piles.
<ul style="list-style-type: none"> Le bloc-piles refuse de se charger. 	<ul style="list-style-type: none"> Bloc-piles non inséré dans le chargeur. 	<ul style="list-style-type: none"> Insérer le bloc-piles dans le chargeur de manière à ce que le voyant DEL vert s'allume. Charger jusqu'à 9 heures si le bloc-piles est complètement épuisé.
<ul style="list-style-type: none"> Surchauffe du guide-chaîne/chaîne. 	<ul style="list-style-type: none"> La chaîne est trop serrée. Lubrification requise. 	<ul style="list-style-type: none"> Se reporter à la rubrique « Réglage de la tension de la chaîne ». Se reporter à la rubrique « Lubrification de la chaîne ».
<ul style="list-style-type: none"> La chaîne est trop lâche. 	<ul style="list-style-type: none"> Mauvais réglage de la tension de la chaîne. 	<ul style="list-style-type: none"> Se reporter à la rubrique « Réglage de la tension de la chaîne ».
<ul style="list-style-type: none"> Mauvaise qualité de la coupe. 	<ul style="list-style-type: none"> Mauvais réglage de la tension de la chaîne. La chaîne doit être remplacée. 	<ul style="list-style-type: none"> Se reporter à la rubrique « Réglage de la tension de la chaîne ». <p>Remarque : une tension excessive entraîne une plus grande usure et</p>

Section de dépannage

<u>Problème</u>	<u>Cause possible</u>	<u>Solution possible</u>
		<ul style="list-style-type: none"> diminue la durée de vie du guide-chaîne et de la chaîne. Lubrifier avant chaque coupe. Se reporter à la rubrique « Remplacement de la chaîne ».
<ul style="list-style-type: none"> L'appareil fonctionne mais ne coupe pas. 	<ul style="list-style-type: none"> La chaîne est installée à l'envers. 	<ul style="list-style-type: none"> Se reporter aux rubriques concernant l'installation et le retrait de la chaîne.
<ul style="list-style-type: none"> L'huile ne s'écoule pas sur la chaîne. 	<ul style="list-style-type: none"> La sciure/des débris se sont accumulés sous le couvercle du pigno 	<ul style="list-style-type: none"> Retirer le bloc-piles, retirer le couvercle du pignon. Nettoyer la sciure ou les débris accumulés(s).

BLACK & DECKER®

ALLIGATOR NLP1800

MANUAL DE INSTRUCCIONES

Gracias por elegir Black & Decker!
Visite www.BlackandDecker.com/NewOwner
para registrar su nuevo producto.

LEA EL MANUAL ANTES DE DEVOLVER ESTE PRODUCTO POR CUALQUIER MOTIVO:

Si tiene una consulta o algún inconveniente con su producto
Black & Decker, visite

[HTTP://WWW.BLACKANDDECKER.COM/INSTANTANSWERS](http://WWW.BLACKANDDECKER.COM/INSTANTANSWERS)
para obtener respuestas instantáneas las 24 horas del día.

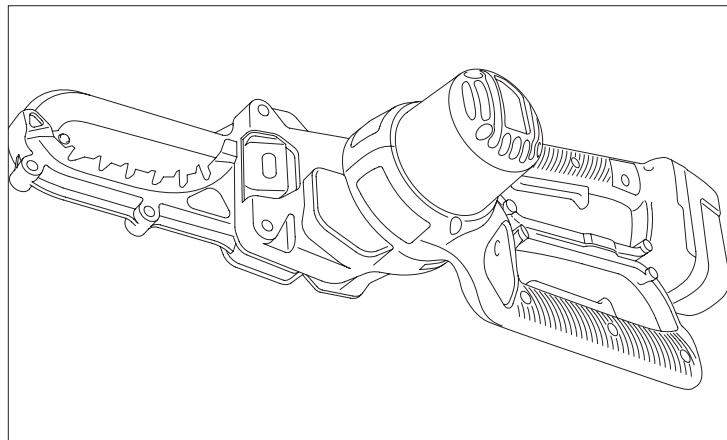
Si no encuentra la respuesta o no tiene acceso a Internet, llame al
1-800-544-6986 de lunes a viernes de 8 a.m. a 5 p.m. hora del Este para
hablar con un agente.

Cuando llame, tenga a mano el número de catálogo.

CONSERVE ESTE MANUAL PARA FUTURAS CONSULTAS.

INFORMACION CLAVE QUE USTED DEBE CONOCER:

- NO TENSIONE EN EXCESO LA CADENA. Consulte “AJUSTE de la tensión de la cadena” a fin de conocer el método adecuado para tensionar la cadena.
- Vuelva a ajustar la cadena con frecuencia durante las dos primeras horas de uso a medida que ésta se acciona.



Uso previsto

La Podadora Alligator™ de Black & Decker ha sido diseñada para podar árboles y cortar troncos pequeños de hasta 100 mm (4 pulgadas) de diámetro. Se recomienda utilizar esta herramienta únicamente para uso del comprador.

Normas generales de seguridad

⚠ **ADVERTENCIA:** Lea todas las instrucciones. El incumplimiento de todas y cada una de las instrucciones enumeradas a continuación puede provocar descarga eléctrica, incendio o lesiones graves.

LEA TODAS LAS INSTRUCCIONES.

⚠ Instrucciones de seguridad y advertencias para las sierras de cadena

• Mantenga limpia la zona de trabajo

Los lugares abarrotados son propicios a las heridas. No comience con los cortes hasta que tenga una zona de trabajo limpia, un punto de apoyo seguro para los pies y un trayecto de retirada planificado desde el árbol que está por caer.

• Tenga en cuenta el entorno del área de trabajo

Tenga extremo cuidado cuando corte pequeñas malezas y árboles jóvenes ya que el material delgado puede trabar la cadena de la sierra y volverse hacia usted y golpearlo o sacarlo de balance. Cuando corte una rama tensionada esté alerta del efecto rebote para no resultar golpeado cuando la tensión libere las fibras de madera. No exponga la sierra de cadena a la lluvia ni a la nieve. No utilice la sierra de cadena en lugares húmedos o mojados o mientras llueva o nieva. No utilice la sierra de cadena en presencia de líquidos o gases inflamables o concentraciones de polvo. Corte solamente cuando la visibilidad y la luz son las suficientes para ver con claridad

• Mantenga a niños, espectadores y visitantes alejados

No permita que las visitas entren en contacto con la sierra de cadena. Todas las visitas deben alejarse del área de trabajo.

• Almacene la sierra de cadena que no utiliza

Cuando no la utilice, las sierras de cadena deben guardarse en un lugar seco y alto o bajo llave, lejos del alcance de los niños. Cuando almacene sierras de cadena, siempre retire la batería y utilice una funda o estuche portátil.

• **No tome las hojas** de corte expuestas ni los bordes filosos cuando levante o sostenga el aparato.

• No fuerce la sierra de cadena

Funcionará mejor y será más segura si la utiliza a la velocidad para la que fue diseñada.

• Utilice la herramienta adecuada

Corte madera solamente. No utilice la sierra de cadena con otros fines, por ejemplo, no utilice la sierra de cadena para cortar plástico, metal, mampostería o materiales de construcción que no son de madera.

• Use la vestimenta adecuada

No use ropas holgadas o joyas. Mantenga el cabello, la ropa y los guantes alejados de las piezas en movimiento. Las prendas holgadas, las joyas o el cabello largo pueden quedar atrapados en las piezas en movimiento. Recójase y cubra el cabello largo. Se deben evitar los orificios de ventilación, que cubren las piezas móviles. Se recomienda utilizar guantes protectores y calzado antideslizantes al trabajar al aire libre. Siempre utilice pantalones largos y pesados u otro tipo de protección para las piernas.

• Use lentes de seguridad

También utilice calzado de seguridad, ropas ceñidas, guantes protectores y protección adecuada para la cabeza, los oídos y las vías respiratorias.

• Transporte de la sierra

Transporte la sierra de cadena sujetando el mango delantero con la sierra bloqueada, el dedo alejado del interruptor, la barra de guía y la cadena de la sierra hacia atrás. Retire la batería y cierre el cerrojo cuando transporte la sierra.

• Conserve la sierra de cadena adecuadamente

Mantenga las herramientas filosas y limpias para lograr un mejor y más seguro rendimiento. Siga las instrucciones para lubricar y cambiar los accesorios. Mantenga los mangos secos, limpios y libres de aceite y grasas.

• **Desconecte la batería**

Desconecte la batería de la sierra de cadena cuando no está en uso, antes de realizarle el mantenimiento, cuando tensiona la cadena y cambia accesorios y elementos, como una cadena de sierra.

• **Manténgase alerta**

Fíjese en lo que está haciendo. Use el sentido común. No opere la sierra de cadena si está cansado, enfermo o bajo la influencia del alcohol, drogas o medicamentos. Cuando el motor esté en funcionamiento, mantenga todas las partes del cuerpo alejadas de la cadena de la sierra. Antes de encender la sierra, asegúrese de que la cadena de la sierra no esté en contacto con ningún objeto. Cuando corte madera, recuerde que la sierra de cadena corta rápido y seguirá cortando en el trayecto hacia arriba o hacia abajo. Aléjese del trayecto.

• **Verifique que no haya piezas dañadas**

Antes de volver a utilizar la sierra de cadena se debe controlar cualquier pieza que esté averiada para determinar si funcionará correctamente y realizará la función para la que fue diseñada. Verifique la alineación y la sujeción de las piezas móviles, la rotura de piezas, el montaje y cualquier otra condición que pueda afectar su operación. Cualquier protección u otra pieza que esté dañada debe ser reparada correctamente o reemplazada por un centro de mantenimiento autorizado, a menos que este manual de instrucciones indique otra cosa. Reemplace los interruptores defectuosos en un centro de mantenimiento autorizado. No utilice la sierra de cadena si no puede encenderla o apagarla con el interruptor. No opere una sierra de cadena que esté dañada o regulada incorrectamente, o que no esté completamente ensamblada y en forma segura. Asegúrese de que la cadena de la sierra se detenga cuando se libera el disparador.

• **Guarda contra retrocesos**

⚠ **ADVERTENCIA:** el **RETROCESO** puede ocurrir cuando la boquilla o la punta de la barra de guía entra en contacto con un objeto o cuando la madera se acerca y muerde la cadena de la sierra durante el corte. El contacto con la punta en algunos casos puede producir una reacción reversa muy rápida, golpeando la barra

de guía hacia arriba y atrás en dirección al operador. Si la madera muerde la cadena de la sierra a lo largo de la barra de guía, esto puede empujar la barra de guía rápidamente hacia atrás en dirección al operador. Cualquiera de estas reacciones puede provocar la pérdida del control de la sierra que, a su vez, podría provocar lesiones graves al usuario.

Se deben tomar las siguientes precauciones para disminuir el retroceso:

- (1.) Sujete la sierra con firmeza. Sujete la sierra de cadena con firmeza con ambas manos cuando el motor esté en funcionamiento. Sujete firmemente con los pulgares y dedos los mangos de la sierra de cadena. La sierra de cadena tirará hacia adelante cuando corte sobre el borde inferior de la barra y empujará hacia atrás cuando corte a lo largo del borde superior de la barra.
- (2.) No se estire demasiado.
- (3.) Conserve el equilibrio adecuado y manténgase parado correctamente en todo momento.
- (4.) No permita que la boquilla de la barra de guía entre en contacto con un tronco, una rama, el piso u otra obstrucción.
- (5.) No realice cortes por encima de la altura del hombro.
- (6.) Utilice dispositivos como cadena de retroceso bajo y barras de guía de retroceso reducido que disminuyen los riesgos relacionados con el retroceso.
- (7.) Sólo utilice como reemplazo las barras y cadenas que especificó el fabricante o el equivalente.
- (8.) Nunca permita que la cadena en movimiento entre en contacto con ningún objeto en la punta de la barra de guía.
- (9.) Mantenga el área de trabajo libre de obstrucciones como otros árboles, ramas, rocas, cercos, troncos cortados, etc. Elimine o evite cualquier obstrucción que su cadena de sierra pueda golpear mientras está cortando un tronco o rama en especial.
- (10.) Mantenga la cadena de la sierra filosa y tensionada correctamente. Una cadena suelta o sin filo aumentará las posibilidades de retroceso. Verifique la tensión en intervalos regulares con el motor apagado y sin la batería, nunca los haga con el motor en funcionamiento.
- (11.) Comience y continúe el corte sólo con el movimiento de la

cadena a la máxima velocidad. Si la cadena se mueve a una velocidad menor, es más probable que se produzca un retroceso. (12.) Corte los troncos de a uno.

(13.) Tenga mucha precaución al reanudar un corte anterior. Trabe los parachoques acanalados en la madera y deje que la cadena alcance la velocidad máxima antes de comenzar a cortar.

(14.) No intente realizar cortes de rebajado o en diámetro.

(15.) Tenga cuidado con los troncos que se desplazan u otras fuerzas que pueden cerrar un corte y morder la cadena o caer sobre ella.

• Fuente de energía

Conecte el cargador de la batería de la sierra de cadena al voltaje correcto, es decir, asegúrese de que el voltaje suministrado sea el mismo que el especificado en la placa de la herramienta.

Instrucciones de seguridad adicionales para la Podadora Alligator™

⚠ ADVERTENCIA: Nunca use la herramienta por encima de la altura del hombro. Siempre colóquese fuera del trayecto de la caída de las ramas y los desechos.

⚠ ADVERTENCIA: No use esta herramienta para derrumbar árboles.

- Planifique con anticipación una salida segura para la caída de las ramas y los desechos. Garantice que la ruta de salida esté libre de obstáculos que impidan o dificulten el movimiento. Recuerde que el césped húmedo y la corteza recién cortada son resbaladizos.

- Tenga en cuenta la dirección en la que puede caer una rama.

Considere todas las condiciones que puedan afectar la dirección de la caída, entre ellas:

- La dirección prevista de la caída.

- La inclinación natural de la rama.

- Cualquier estructura de rama pesada inusual o deterioro.

- Los árboles circundantes y los obstáculos, incluidas las líneas eléctricas elevadas.

- La velocidad y la dirección del viento.

- La distancia segura entre una rama y los desechos que se caerán y los espectadores, los edificios y otros objetos debe ser de al menos 2 1/2 veces la longitud de la rama. Cualquier espectador, edificio u objeto dentro de esta distancia puede ser golpeado por la rama que cae.

- Al cortar una rama que está sujeta a tensión, tenga en cuenta el efecto rebote. Cuando se libera la tensión en las fibras de la madera, la rama con efecto rebote puede golpear al operador y/o hacer perder el control de la herramienta.

- Siempre use equipo de seguridad adecuado como calzado resistente antideslizante, anteojos de seguridad, protección para los oídos y guantes durante la operación de la herramienta.

- Asegúrese de que haya alguien cerca (a una distancia segura) en caso de producirse un accidente.

- No intente operar la herramienta desde un árbol, una escalera o parado sobre cualquier otra superficie que no brinde estabilidad.

- Conserve el equilibrio adecuado y manténgase parado correctamente en todo momento.

- Sujete la herramienta con firmeza con ambas manos cuando el motor esté en funcionamiento.

- Mantenga los mangos secos, limpios, y asegúrese que no tengan restos de aceite o grasa. Los mangos con aceite o grasa pueden resbalarse y provocar la pérdida de control.

- No permita que la cadena en movimiento entre en contacto con ningún objeto en la punta de la barra de guía.

- Mantenga la cadena de la sierra con la tensión adecuada. -

Compruebe la tensión en intervalos regulares con el motor detenido y la batería desconectada.

- Comience y continúe el corte sólo con el movimiento de la cadena a la máxima velocidad.

- Tenga cuidado con las ramas que se desplazan u otras fuerzas que pueden cerrar un corte y pellizcar la cadena o caer sobre ella.

- Tenga mucha precaución al reanudar un corte anterior. Coloque

las puntas de la mordaza inferior en la madera y permita que la cadena alcance la velocidad máxima antes de continuar con el corte.

- El uso de esta herramienta para otras operaciones diferentes de aquéllas para las que fue diseñada puede provocar situaciones riesgosas. Corte madera solamente. No utilice esta herramienta para fines diferentes de aquéllos previstos. Por ejemplo, no utilice la herramienta para cortar plástico, mampostería o materiales de construcción diferentes de la madera.

- En caso de que algún trozo de desechos entre en contacto con la guarda o la herramienta, interrumpa la operación, desconecte el cable de energía y limpie los desechos.

- Las cadenas y las barras de guía gastadas de las cadenas deben reemplazarse.

- Sólo use barras y cadenas de repuesto especificadas por el fabricante.

- Esta sierra está diseñada para un uso ocasional por parte de propietarios de viviendas, labradores y excursionistas, y para aplicaciones generales como limpiar, podar, cortar leña, etc. Los períodos de funcionamiento prolongados pueden provocar problemas circulatorios en las manos del usuario debido a la vibración. Para tal uso, posiblemente sea necesario utilizar una sierra con un sistema antivibración.

Características de seguridad durante el retroceso

Guarda contra retrocesos. El retroceso es el movimiento hacia arriba de la barra de la guía que se produce cuando la cadena de la sierra, en la boquilla de la barra guía, entra en contacto con un objeto. El retroceso puede provocar la pérdida del control de la sierra de cadena y esto puede ser peligroso.

⚠️ ADVERTENCIA: Las siguientes características se incluyen en su Podadora Alligator™ para ayudar a reducir el peligro durante el retroceso; sin embargo, estas características no eliminarán

completamente esta riesgosa reacción. Como usuario de la sierra de cadena, no confíe solamente en los dispositivos de seguridad. Debe seguir todas las precauciones de seguridad, las instrucciones y el mantenimiento según se describe en este manual para ayudar a evitar el retroceso y otras fuerzas que pueden provocar lesiones de gravedad.

Mordaza superior: diseñada específicamente para cubrir la punta de la barra de la cadena en la zona de peligro en la que se produce el retroceso. En el caso de un retroceso, el protector también ayuda a reducir el riesgo de que la cadena entre en contacto con el operador.

Barra de guía de retroceso reducido: diseñada con una pequeña punta de empuje que reduce el tamaño de la zona de retroceso en la punta de la barra.

Cadena de retroceso reducido: diseñada con un calibre de profundidad contorneado y un enlace de guarda que desvía la fuerza de retroceso y permite que la madera se deslice gradualmente en la cortadora.

Seguridad eléctrica

Esta herramienta y su cargador poseen un doble aislamiento; por lo tanto, no se necesita un cable de descarga a tierra. Siempre verifique que la fuente de energía coincida con el voltaje señalado en la placa de clasificación.

⚠️ ADVERTENCIA: Algunas partículas originadas al lijar, aserrar, amolar, taladrar y realizar otras actividades de construcción contienen productos químicos que producen cáncer, defectos de nacimiento y otros problemas reproductivos. Algunos ejemplos de estos productos químicos son:

- el plomo de las pinturas de base plomo;
 - la sílice cristalina de ladrillos, el cemento y otros productos de mampostería; y
 - el arsénico y el cromo de la madera con tratamiento químico. (CCA)
- El riesgo derivado de estas exposiciones varía según la frecuencia

con la que se realice este tipo de trabajo. Para reducir la exposición a estos productos químicos: se recomienda trabajar en áreas bien ventiladas y usar equipos de seguridad aprobados, como las máscaras para polvo especialmente diseñadas para filtrar las partículas microscópicas.

• **Evite el contacto prolongado con las partículas de polvo originadas al lijar, aserrar, esmerilar, taladrar y realizar demás actividades de la construcción. Use indumentaria protectora y lave las áreas expuestas con agua y jabón.** Evite que el polvo entre en la boca y en los ojos o se deposite en la piel, para impedir la absorción de productos químicos nocivos.

⚠ **ADVERTENCIA: El uso de esta herramienta puede generar o dispersar partículas de polvo capaces de ocasionar lesiones respiratorias permanentes y graves u otras lesiones.** Use siempre protección respiratoria aprobada por NIOSH/OSHA (Instituto Nacional de Salud y Seguridad Ocupacional de EE.UU./Administración de la Salud y Seguridad Ocupacional de EE.UU.) apropiada para la exposición al polvo. Aleje las partículas de la cara y el cuerpo.

⚠ **PRECAUCIÓN** Mientras use la herramienta, utilice la protección auditiva adecuada. En ciertas circunstancias y según el período de uso, el ruido de este producto puede contribuir a la pérdida de audición.

La etiqueta de su herramienta puede incluir los siguientes símbolos.

V.....voltios	A.....amperios
Hz.....hertz	W.....vatios
min.....minutos	~.....corriente alterna
===.....corriente directa	n _ovelocidad sin carga
☐.....Construcción Class II	⊕.....terminal a tierra
⚠.....símbolo de alerta de seguridad	.../min.....revoluciones por minuto

CONSERVE ESTAS INSTRUCCIONES

NOMBRES Y TÉRMINOS DE LAS SIERRAS DE CADENA

- **Aserrado:** el proceso de realizar cortes transversales en un árbol caído o troncos en trozos.
- **Freno de la cadena:** un dispositivo utilizado para detener la sierra de cadena.
- **Cabezal eléctrico de la sierra de cadena:** una sierra de cadena sin la cadena de la sierra y la barra guía.
- **Embrague:** un mecanismo para conectar y desconectar un miembro accionado a y desde una fuente de energía giratoria.
- **Rueda dentada de accionamiento o rueda dentada:** la pieza dentada que acciona la cadena de la sierra.
- **Tala:** el proceso de destroncar un árbol.
- **Corte de destronque:** el corte final en una operación de tala de árboles realizada en el lado opuesto del árbol del corte de entallado.
- **Barra guía:** una estructura resistente con rieles que soporta y guía la cadena de la sierra.
- **Retroceso:** el movimiento hacia atrás o adelante, o ambos, de la barra guía que se produce cuando la cadena de la sierra cerca de la boquilla en el área superior de ella entra en contacto con un objeto como un tronco o una rama, o cuando la madera se acerca y muerde la cadena de la sierra durante el corte.
- **Retroceso, Pliegue:** el rápido movimiento hacia atrás de la sierra que puede generarse cuando la madera se acerca y muerde la cadena de la sierra en movimiento durante el corte a lo largo de la parte superior de la barra guía.
- **Retroceso giratorio:** el rápido movimiento hacia arriba y abajo de la sierra que puede generarse cuando la cadena de la sierra en movimiento cerca de la parte superior de la punta de la barra guía entra en contacto con un objeto, como un tronco o una rama.
- **Cadena de retroceso bajo:** una cadena que cumple con los requisitos de rendimiento de retroceso de ANSI B175.1-1991 (al

probarse en una muestra representativa de sierras de cadena).

- **Posición de corte normal:** las posiciones adoptadas al realizar los cortes de aserrado y tala.
- **Barra guía de retroceso reducido:** una barra guía que ha demostrado que reduce el retroceso significativamente.
- **Cadena de la sierra de repuesto:** una cadena que cumple con los requisitos de rendimiento de ANSI B175.1-1991 al probarse con sierras de cadena específicas. Posiblemente no cumpla con los requisitos de rendimiento ANSI al utilizarse con otras sierras.
- **Cadena de la sierra:** un bucle de la cadena que posee dientes de corte para realizar cortes en madera y que está accionado por el motor y apoyado sobre la barra guía.
- **Interruptor:** un dispositivo que durante el funcionamiento completará o interrumpirá un circuito eléctrico al motor de la sierra de cadena.
- **Mecanismo del interruptor:** el mecanismo que transmite el movimiento desde un disparador al interruptor.

DESCRIPCION DE LAS FUNCIONES

1. Mordaza superior
2. Mordaza inferior
3. Barra de guía de la cadena
4. Cubierta para lubricación
5. Pasador
6. Paquetes de baterías
7. Actuadores del interruptor de encendido/apagado
8. Punto de expulsión de cincelado
9. Cargador
10. Tomacorriente del cargador

INFORMACION ACERCA DEL PROTECTOR DE LA BATERIA

Se han incluido protectores para el almacenaje (**Fig. A**) y transporte de la batería. Estos deben ser usados cuando la batería no esté

conectada a la herramienta ni en el cargador. Recuerde quitar el protector antes de poner la batería en el cargador o conectarla a la herramienta.

⚠ ADVERTENCIA: Riesgo de incendio. No guarde o transporte la batería de ninguna manera que permita que los terminales expuestos de la batería entren en contacto con objetos metálicos. Por ejemplo, no coloque la batería en delantales, bolsillos, cajas de herramientas, cajas de juegos de productos, cajones, etc. con clavos, llaves, tornillos sueltos, etc. **Transportar baterías puede provocar incendios si los terminales de la batería entran en contacto accidentalmente con materiales conductores como llaves, monedas, herramientas de mano u objetos similares.** Las Normas para Materiales Peligrosos del Departamento de Transporte de los EE.UU. (HMR) concretamente prohíben transportar baterías comercialmente o en aviones (es decir, empacadas en maletas y equipaje de mano) A MENOS que estén debidamente protegidas de cortocircuitos. Por lo tanto, cuando transporte baterías individuales, asegúrese de que los terminales de la batería estén protegidos y bien aislados de materiales que puedan hacer contacto y causar un cortocircuito.

⚠ Instrucciones y advertencias de seguridad: carga

1. Este manual contiene instrucciones de operación y seguridad importantes.
2. Antes de utilizar el cargador de la batería, lea todas las instrucciones y las indicaciones preventivas en el cargador de la batería, el paquete de baterías y en el producto que utiliza el paquete de baterías.
3. **⚠ PRECAUCIÓN:** para reducir el riesgo de daños personales, cargue sólo baterías Black & Decker. Otros tipos de baterías pueden estallar y provocar daños personales y materiales.
4. No exponga el cargador a la lluvia ni a la nieve.
5. El uso de un accesorio no recomendado o no vendido por Black & Decker puede provocar riesgos de incendio, descarga eléctrica o daños personales.
6. Para reducir el riesgo de avería en el enchufe y cable eléctricos, tire

del enchufe y no del cable al desconectar el cargador.

7. Asegúrese de que el cable esté ubicado de manera que no lo pise o se tropiece con él y que no esté sujeto a daños o tensiones de alguna otra manera.
8. No se debe utilizar un cable prolongador a menos que sea absolutamente necesario. El uso de un cable prolongador incorrecto puede provocar riesgo de incendio, descarga eléctrica o electrocución.
 - a. Se pueden usar cables de dos conductores con cables prolongadores de dos o tres conductores. Sólo se deben utilizar cables prolongadores con cubierta redonda, y recomendamos que estén en la lista de Underwriters Laboratories (U.L.). Si la prolongación se va a utilizar en el exterior, el cable debe ser apropiado para usar en exteriores. Cualquier cable indicado para uso en exteriores también se puede utilizar en interiores. Las letras "W" o "WA" en la cubierta del cable indican que el cable es apropiado para uso en el exterior.
 - b. Un cable prolongador debe tener una medida de conductor adecuada (AWG o Medida de conductor estadounidense) por seguridad y para evitar pérdida de energía y recalentamiento. A menor número de calibre del conductor, mayor será la capacidad del cable; es decir, un calibre 16 tiene más capacidad que un calibre 18. Cuando se utiliza más de una prolongación para lograr la longitud total, asegúrese de que cada prolongación tenga la medida mínima de conductor.

**TABLA DE MEDIDAS MINIMAS DE CONDUCTOR (AWG) PARA
CABLES PROLONGADORES
AMPS SEGUN PLACA – 0 – 10.0**

Longitud total del cable prolongador (en pies)	0-25 (0,7-6 m)	26-50 (7,9-15,2 m)	51-100 (15,5-30,4 m)	101-150 (30,8-45,7 m)
Calibre del conductor	18	16	16	14

9. Utilice sólo el cargador suministrado para cargar. El uso de cualquier otro cargador puede dañar la batería o provocar una condición de riesgo.

10. Utilice un solo cargador cuando carga.
11. No intente abrir el cargador. No contiene elementos que el cliente pueda reparar. Devuelva a cualquier centro de mantenimiento Black & Decker autorizado.
12. NO incinere el paquete de baterías aunque esté muy averiado o completamente gastado. Las baterías pueden explotar en el fuego.
13. En condiciones de uso, de carga o de temperaturas extremas, podría producirse una pequeña pérdida de líquido en las celdas del paquete de baterías. Esto no indica una falla. Sin embargo, si el sello externo está roto y esta pérdida toca su piel:
 - a. Lave rápidamente con agua y jabón.
 - b. Neutralice con un ácido suave como jugo de limón o vinagre.
 - c. Si el líquido de la batería entra en contacto con sus ojos, lávelos con agua limpia durante al menos 10 minutos y busque atención médica inmediatamente. **NOTA MÉDICA:** el líquido es una solución de hidróxido de potasio al 25%-35%.

Recomendación para el almacenamiento

1. Almacene la herramienta:
 - a.) con la batería retirada y en el cargador;
 - b.) en un lugar fresco y seco, lejos de la luz del sol directa y el exceso de calor o frío;
 - c.) fuera del alcance de los niños.
2. En caso de almacenamiento prolongado, como durante el invierno, la batería debe cargarse completamente y luego retirarse del cargador. Debe cargarse nuevamente antes de usarla en la primavera.

DEJANDO LA BATERÍA EN EL CARGADOR

Está bien dejar cargando los paquetes de baterías durante períodos prolongados. El cargador cuenta con un modo de mantenimiento que le entrega suficiente carga a la batería para conservarla "completamente cargada". Sin embargo, si no se va a necesitar la herramienta durante más de 30 días, desenchufe el cargador y guarde la batería en un lugar fresco y seco.

NOTA: Un paquete de baterías perderá su carga cuando no está en el cargador. Si no ha dejado el paquete de baterías en carga de mantenimiento, es posible que deba cargarlo nuevamente antes de usarlo. Un paquete de baterías también podría perder su carga si se deja en un cargador que no esté conectado a un suministro de CA apropiado.

Carga del paquete de baterías

PAQUETE DE BATERÍAS NO VIENEN COMPLETAMENTE CARGADAS DE FÁBRICA. PAQUETE DE BATERÍAS DE CARGA DE AL MENOS 9 HORAS ANTES DE SU USO.

El cargador está diseñado para utilizar la energía eléctrica doméstica estándar, 120 voltios, 60 Hz.

1. Enchufe el cargador en cualquier tomacorriente estándar de 120 V, 60 Hz.
2. Deslice el cargador sobre el paquete de baterías, como se muestra en la **Figura B** y deje que el paquete de baterías se cargue la primera vez durante **9 horas**. Después de la carga inicial, en condiciones de uso normal, el paquete de baterías debe cargarse completamente entre **6 y 9** horas.
- 2 A) Durante la carga, el LED verde se encenderá.
- 2 B) Al completarse la carga, el LED verde se apagará.
3. Desenchufe el cargador y retire el paquete de baterías. **Coloque el paquete de baterías en la herramienta hasta que quede firme en su lugar. (fig. C)**

NOTA: Para retirar el paquete de baterías, presione el botón de liberación en la parte trasera del mismo y deslicelo.

Notas importantes sobre la carga

1. Después uso normal, su batería deberá quedar completamente cargada en 6 a 9 horas. Si la batería se ha agotado por completo, puede tomarle hasta 9 horas cargar completamente. Su batería viene de fábrica descargada. Antes de intentar usarla, deberá cargarlo durante horas.
2. NO cargue la batería cuando la temperatura sea inferior a 5°C (40°F) o mayor a 41°C (105°F). Esto es importante y le evitará serios daños a la batería. Se pueden obtener mayor duración y

mejor rendimiento si se carga la batería cuando la temperatura sea de aproximadamente de 24°C (75°F).

3. Durante la carga, el cargador puede zumbear y calentarse al tacto. Esto es una condición normal y no indica ningún problema.
4. Si la batería no carga apropiadamente — (1) revise la corriente en la toma conectando una lámpara u otro aparato. (2) Revise si la toma está conectada a un interruptor que corte la corriente al apagar las luces. (3) Lleva el cargador y la batería a un sitio en el que la temperatura esté entre 5°C (40°F) y 41°C (105°F). (4) Si la temperatura y la alimentación son adecuadas, y usted no consigue la carga correcta, lleve su herramienta al centro de servicio de su localidad. Consulte “herramientas eléctricas” en la sección amarilla del directorio telefónico.
5. La batería deberá recargarse cuando deja de producir potencia suficiente en trabajos que se hicieron con facilidad anteriormente. NO CONTINUE usando la podadora con su batería en estas condiciones.
6. La batería alcanzará su rendimiento óptimo después de 5 ciclos de uso normal. No hay necesidad de agotar la carga de la batería antes de cargarla de nuevo. El uso normal es el mejor método para descargar y recargar la batería..

Preparación de la Podadora Alligator™ para su utilización

⚠️ ADVERTENCIA: Lea y comprenda todas las instrucciones. El incumplimiento de todas y cada una de las instrucciones enumeradas a continuación puede provocar descarga eléctrica, incendio o daños personales graves.

⚠️ ADVERTENCIA: Hoja móvil filosa. Para evitar la operación accidental, asegúrese de que la batería esté desconectada de la herramienta antes de realizar las siguientes operaciones. El incumplimiento de esta instrucción puede provocar graves lesiones personales.

⚠ PRECAUCIÓN: Hoja móvil filosa. Siempre utilice guantes de protección al instalar o retirar la cadena. La cadena es filosa y puede cortarlo cuando no está en funcionamiento.

Ajuste de tensión de la cadena (Figura E)

⚠ ADVERTENCIA: Antes de realizar ajustes a la cadena u otro tipo de ajustes, asegúrese de que la batería esté desconectada de la herramienta.

Si no se puede lograr la tensión correcta de la cadena, posiblemente ésta deba reemplazarse. Comuníquese con el centro de mantenimiento más cercano.

El producto viene ensamblado y preparado. No obstante, se recomienda que verifique la tensión y los pernos de retención de la cadena antes de usarla y, en caso de ser necesario, realice los ajustes.

Verificación y ajuste de la tensión de la cadena (Figura E)

Para tensionar la cadena, afloje los dos pernos de retención de la cubierta de la cadena (11) con la llave, (12) y el dispositivo tensor de la cadena empujará la barra de la cadena hacia afuera y establecerá la tensión correcta.

Vuelva a ajustar los dos pernos de retención (11) firmemente.

Jale suavemente de la cadena para verificar que se haya establecido la tensión correcta. La tensión es la adecuada si la cadena encaja nuevamente después de separarla 3 mm (1/8") de la barra de guía. No debe haber ninguna "curvatura" entre la barra de guía y la cadena en la parte inferior.

Nota: No tensione en exceso la cadena ya que provocará un desgaste excesivo y reducirá la vida de la barra y la cadena. También provocará una disminución en el rendimiento del producto.

Nota: Durante el primer uso y cuando la cadena sea nueva, verifique la tensión con frecuencia ya que una cadena nueva es levemente flexible.

Reemplazo de la cadena y de la barra de la cadena

Después de un uso prolongado de la cadena y/o de la barra de la cadena, posiblemente deban reemplazarse. Use la cadena de reemplazo Black & Decker RC600 solamente.

La cadena de retroceso bajo cumple con los requisitos de rendimiento de ANSI B175.1 al probarse en la muestra representativa de las sierras de cadena.

Retiro de la cadena y de la barra de la sierra (Figuras F y G)

⚠ ADVERTENCIA: Antes de realizar ajustes a la cadena u otro tipo de ajustes, asegúrese de que la batería esté desconectada de la herramienta.

⚠ ADVERTENCIA: Peligro de laceración. Siempre utilice guantes de protección al instalar o retirar la cadena de la sierra. La cadena de la sierra es filosa y puede cortarlo cuando no está en funcionamiento.

⚠ ADVERTENCIA: Riesgo de quemaduras. La barra de guía de la cadena y la cadena pueden calentarse durante el uso. Espere hasta que se enfríen antes de realizar ajustes o retirarlas.

- Coloque la herramienta en una superficie firme.
- Gire los dos pernos de retención (11) en sentido contrario a las agujas del reloj con la llave (12) proporcionada y retire completamente.
- Retire la cubierta de acceso a la cadena (13).
- Abra los mangos y retire la cubierta de la cadena superior (1).
- Retire la barra de la cadena (3), levante la cadena de la sierra (14) y deslícela fuera de la ranura en la barra de guía. De esta manera puede retirar la cadena (14) de la unidad.
- La barra de la cadena puede angularse hacia arriba.

Ensamblado de la barra de la cadena y de la cadena (Figuras G y H)

⚠ ADVERTENCIA: Antes de realizar ajustes a la cadena u otro tipo de ajustes, asegúrese de que la batería esté desconectada de la herramienta.

⚠ ADVERTENCIA: Siempre utilice guantes de protección al instalar o retirar la cadena de la sierra. La cadena de la sierra es filosa y puede cortarlo cuando no está en funcionamiento.

- Asegúrese de que la operación se realice en una superficie firme.
- Abra los mangos y retire la cubierta de la cadena superior (1).
- Inserte la barra de la cadena en el espacio que está entre el tensor de la cadena y alinéela valiéndose del localizador de barras de cadena. Luego, angule la barra de la cadena hacia abajo y asegúrese de que esté correctamente ubicada.
- Coloque la cadena (14) alrededor de la parte frontal de la barra de la cadena y fije la rueda dentada de la punta de ésta. Asegúrese de que la cadena esté instalada adecuadamente, para ello, los dientes de corte deben mirar hacia arriba como se muestra aquí.



- Retire la barra de la cadena y la cadena, y fíjelas en la ranura en la barra de la cadena y luego sobre la rueda dentada (15), con los dientes en la posición correcta en la rueda dentada.
- Reemplace la cubierta de acceso de la cadena (13) y los pernos de retención (11), y ajústelos bien.

Operación

Nunca opere una sierra de cadena que esté dañada o ajustada incorrectamente, o que no esté completamente ensamblada o que esté de forma insegura. Asegúrese de que la cadena de la sierra se detenga al soltar los disparadores del sistema de control de energía. Nunca ajuste la barra guía o la cadena de la sierra cuando el motor está en funcionamiento.

⚠ ADVERTENCIA: Permita que la herramienta trabaje a su propio ritmo. No la sobrecargue.

- Limpie periódicamente la unidad como se describe en la sección de mantenimiento y limpie especialmente el interior de la cubierta de acceso a la cadena.

- La guarda inferior (2) y la guarda superior (1) están diseñadas para cerrarse cuando se libera uno de los mangos o al finalizar el corte del trozo de la rama sobre el que se está trabajando. De lo contrario, interrumpa el uso de la herramienta y retire el paquete de baterías. Verifique que no haya desechos que bloqueen el movimiento. Para facilitar este proceso, posiblemente se necesite retirar la cubierta de acceso a la cadena (13). Si el problema persiste durante el ensamblado, lleve la unidad a un centro de mantenimiento.

Lubricación (Figura I)

Lubrique la barra y la cadena con un aceite de buena calidad para tal fin o aceite de motor SAE30. Se recomienda utilizar aceite de base vegetal para la barra y la cadena al podar árboles. Nunca utilice aceite de desecho o aceite muy espeso. Pueden provocar daños en la sierra de la cadena.

- Antes de utilizarla por primera vez y cada diez minutos de uso, debe lubricar el producto con el aceite para cadenas recomendado. Abra la cubierta para aceite (4) e introduzca la botella en el orificio para la carga de aceite (16), aplique presión en la botella una vez para verter el aceite.

- Esto debería ser adecuado para unos 10 minutos de corte, según la velocidad del corte y el tipo de madera.

- El orificio transporta el aceite a través de la cadena sobre la barra de la cadena y, si se aplica una cantidad excesiva de aceite, podrían producirse derrames de aceite en la unidad alrededor del área de las mordazas. Esto es normal y no debe preocuparlo.

Encendido y apagado (fig. J)

Para su seguridad, esta herramienta viene con un sistema de interrupción doble. Evita que la herramienta se encienda por accidente.

La sierra de cadena está diseñada para su uso con las dos manos. La operación con una sola mano puede provocar lesiones graves al operador, los asistentes o los espectadores.

Encendido (K)

Para abrir los mangos, deslice el pasador (5) hacia atrás y separe los mangos.. Asegúrese de sujetar los mangos con firmeza y luego oprima ambos actuadores del interruptor para encender la unidad.

Nota: Ambos interruptores deben activarse para poder utilizar el producto.

No fuerce la herramienta: permita que ésta realice el trabajo. Hará un mejor trabajo y más seguro si trabaja a la velocidad para la que fue diseñada. La fuerza excesiva estirará la cadena.

Si la cadena o la barra de la sierra se atasca:

- Apague la herramienta.
 - Retire la batería de la herramienta.
 - Abra el corte con cuñas para disminuir la tensión en la barra de guía.
- No intente quitar las llaves de la sierra. Comience un nuevo corte. Después del uso, cierre los mangos y deslice el pasador (5) hacia adelante, a la posición de bloqueo. Los mangos deben bloquearse durante el transporte y el almacenamiento de la unidad.

Recorte de ramas

- Asegúrese de que la herramienta esté funcionando a máxima velocidad antes de realizar un corte.
- Sujete la herramienta con firmeza en su lugar para evitar que ésta rebote o genere movimientos laterales.
- Guíe la herramienta con presión liviana.
- Siempre corte desde la parte superior. De esta forma, evitará pellizcar la cadena de la sierra.
- **Corte las ramas como se muestra en la Figura L.** Comience desde la punta de la rama, reduzca la rama en pasos lógicos y corte secciones pequeñas. “Al cortar una rama que está sujeta a tensión, tenga en cuenta el efecto rebote.
- Cuando se libera la tensión en las fibras de la madera, la rama con efecto rebote puede golpear al operador y/o hacer perder el control de la herramienta”.
- Retire la herramienta del corte cuando funcione a máxima velocidad.

Mantenimiento

Su herramienta de Black & Decker ha sido diseñada para funcionar durante un largo período con un mínimo mantenimiento. El funcionamiento continuo satisfactorio depende del cuidado adecuado de la herramienta y de una limpieza periódica.

⚠ **ADVERTENCIA:** Antes de realizar cualquier tarea de mantenimiento o de limpiar la herramienta. Retire la batería de la herramienta.

Limpieza

- Retire periódicamente la cubierta de acceso a la cadena y elimine todo desecho que pueda haber quedado atrapado.
- Limpie periódicamente las ranuras de ventilación con un pincel limpio y seco.
- Para limpiar la herramienta, sólo utilice jabón suave y un paño húmedo. Nunca permita que penetre líquido dentro de la herramienta ni sumerja ninguna de las piezas en un medio líquido.

Lubricación

- Lubrique periódicamente los puntos de lubricación (16) como se indica en la **Figura I**.

Transporte

Siempre transporte la herramienta con las mordazas cerradas y el pasador en la posición de bloqueo.

Afilado de la cadena de la sierra

⚠ **PRECAUCIÓN: cadena filosa. Siempre utilice guantes de protección cuando maneje la cadena.** La cadena es filosa y puede cortarlo cuando no está en funcionamiento.

⚠ **ADVERTENCIA: cadena filosa en movimiento. Para evitar el funcionamiento accidental, asegúrese de que la batería está desconectada de la herramienta antes de realizar las siguientes operaciones.** El incumplimiento de esta instrucción puede provocar graves lesiones personales.

Para obtener el mejor rendimiento posible de la cadena de la sierra es importante mantener los dientes de la cadena filosos. Siga estos consejos útiles para el afilado de la cadena de sierra apropiado:

1. Retire la cadena de la sierra y use una prensa de cadena al efectuar el afilado. Consulte "Retiro de la cadena y de la barra de la sierra".
2. Para obtener mejores resultados utilice una lima de 4,5 mm y un sujetador de lima o una guía de limado para afilar su cadena. Esto seguramente hará que siempre obtenga los ángulos de afilado correctos.
3. Coloque el sujetador de lima en forma plana sobre la parte superior de la placa y del calibre de profundidad de la cortadora.
4. **(Figura M)** Mantenga la línea del ángulo de limado de la placa superior (24) de 30° de su guía de limado paralela a su cadena (lima a 60° de la cadena vista desde arriba).
5. **(Figura N)** Afile las cortadoras (25) primero del lado de la cadena. Lime desde la cara interna de cada cortadora hacia afuera. Después gire la sierra y repita los procesos (2,3,4) para las cortadoras del otro lado de la cadena. Utilice una lima plana para limar las partes superiores de los dientes rastrilladores (parte de la unión de la cadena en el frente de la cortadora) para que estén a 0,63 mm (0,025 pulg.) por debajo de las puntas de las cortadoras.
6. **(Figura O)** Mantenga todas las longitudes de la cortadora iguales.
7. Si las superficies cromadas de las placas superiores o laterales presentan daños, lime otra vez hasta eliminar el daño.

⚠ PRECAUCIÓN: después del limado, la cortadora estará filosa, tenga extremo cuidado durante este proceso.

NOTA: cada vez que se afila la cadena, pierde algo de las cualidades de bajo retroceso y se debe tener extremo cuidado. No se recomienda afilar la cadena más de cuatro veces.

Almacenamiento

- Cuando la herramienta no se utilice durante varios meses, pase un paño con aceite sobre los componentes de metal.

- Guarde la herramienta en una ubicación segura y seca. La temperatura de almacenamiento debe siempre estar en el rango de entre +5 °C (41 °F) y +41 °F (104 °F). Coloque el producto en un lugar a un nivel seguro.

IMPORTANTE: Para garantizar la SEGURIDAD y la CONFIABILIDAD del producto, las reparaciones, el mantenimiento y los ajustes se deben realizar en los centros de mantenimiento autorizados o en otras organizaciones de mantenimiento calificadas, utilizando siempre piezas de repuesto idénticas.

Accesorios

La cadena y la barra de repuesto están disponibles en el centro de mantenimiento de Black & Decker más cercano.

Número de catálogo de la cadena de repuesto: RC600

El uso de accesorios no recomendados en este manual puede ser peligroso.

Información de mantenimiento

Todos los Centros de servicio de Black & Decker cuentan con personal altamente capacitado dispuesto a brindar a todos los clientes un servicio eficiente y confiable en la reparación de herramientas eléctricas. Si necesita consejo técnico, reparaciones o piezas de repuesto originales de fábrica, póngase en contacto con el centro de servicio de Black & Decker más cercano a su domicilio. Para ubicar su centro de servicio local, consulte la sección "Herramientas eléctricas" (Tools-Electric) de las páginas amarillas, llame al **1-800-544-6986** o visite nuestro sitio **www.blackanddecker.com**.

Garantía completa de dos años para uso en el hogar

Black & Decker (Estados Unidos) Inc. ofrece una garantía de dos años por cualquier defecto del material o de fabricación de este producto. El producto defectuoso se reparará o reemplazará sin costo alguno de dos maneras.

La primera opción, el reemplazo, es devolver el producto al comercio donde se adquirió (siempre y cuando se trate de un comercio participante). Las devoluciones deben realizarse conforme a la política de devolución del comercio (generalmente, entre 30 y 90 días posteriores a la venta). Le pueden solicitar comprobante de compra. Consulte en el comercio acerca de la política especial sobre devoluciones una vez excedido el plazo establecido.

La segunda opción es llevar o enviar el producto (con flete pago) a un Centro de servicio propio o autorizado de Black & Decker para su reparación o reemplazo según nuestro criterio. Le pueden solicitar el comprobante de compra. Los Centros de servicio autorizados y de propiedad de Black & Decker se detallan en la sección "Herramientas eléctricas" (Tools-Electric) de las páginas amarillas de la guía telefónica. Esta garantía no se extiende a los accesorios. Esta garantía le concede derechos legales específicos; usted puede tener otros derechos que pueden variar según el estado o la provincia. Si tiene alguna pregunta, comuníquese con el gerente del Centro de servicio de Black & Decker de su zona. Este producto no está diseñado para uso comercial.

AMÉRICA LATINA: esta garantía no se aplica a los productos que se venden en América Latina. Para los productos que se venden en América Latina, debe consultar la información de la garantía específica del país que viene en el empaque, llamar a la compañía local o visitar el sitio Web a fin de obtener esa información.

Sección de detección de problemas

Si su sierra de cadena no funciona correctamente, verifique lo siguiente:

Problema	Causa posible	Solución posible
• La herramienta no enciende.	• La batería no está bien instalada. • La batería no carga.	• Verifique la instalación de la batería. • Verifique los requisitos de carga de la batería.
• La unidad no carga.	• La batería no está insertada en el cargador.	• Inserte la batería en el cargador hasta que se encienda la luz verde (LED). Cargue hasta 9 horas si la batería está totalmente agotada.
• Barra/cadena sobrecalentada.	• La cadena está demasiado ajustada. • Necesita lubricación.	• Consulte la sección "Ajuste de tensión de la cadena". • Consulte la sección "lubricación de la cadena".
• La cadena está suelta.	• La tensión de la cadena no es la correcta.	• Consulte la sección "Ajuste de tensión de la cadena".
• Mala calidad de corte.	• La tensión de la cadena no es la correcta. • La cadena debe reemplazarse.	• Consulte la sección "Ajuste de tensión de la cadena". Nota: la tensión en demasía produce un desgaste excesivo y una reducción en la vida útil de la barra y la cadena. Lubrique la cadena antes de cada corte.

Sección de detección de problemas

Problema	Causa posible	Solución posible
		Consulte la sección "reemplazo de la cadena".
• La unidad funciona pero no corta.	• La cadena está instalada al revés.	• Consulte las secciones sobre la instalación y el retiro de la cadena.
• El aceite no llega a la cadena.	• Se acumulan aserrín/desechos debajo de la rueda dentada.	• Extraiga la batería y la cubierta de la rueda dentada. Limpie y extraiga el aserrín/desechos acumulados.

ESPECIFICACIONES

Tensión de alimentación:	120V~	Potencia nominal:	502W
Frecuencia de operación:	60Hz	Consumo de corriente:	4,5A

SOLAMENTE PARA PROPOSITOS DE MEXICO

Grupo Realsa en herramientas, S.A. de C.V.

Súper Manzana 69 MZ.01 Lote 30
(Av. Torcasita)
Col. Puerto Juárez
Cancún, Quintana Roo
Tel. 01 998 884 72 27

Ferre Pat de Puebla, S.A. de C.V.

16 de Septiembre No. 6149
Col. El Cerrito
Puebla, Puebla
Tel. 01 222 264 12 12

Ferre Pat de Puebla, S.A. de C.V.

Ejército Mexicano No. 15
Col. Ejido 1ro. de Mayo
Boca del Río, Veracruz
Tel. 01 229 167 89 89

Servicio de Fabrica Black & Decker, S.A. de C.V.

Lázaro Cardenas No. 18
Col. Obrera
Distrito Federal
Tel. 55 88 95 02

Representaciones Industriales Robles, S.A. de C.V.

Tezozomoc No. 89
Col. La Preciosa
Distrito Federal
Tel. 55 61 86 82

Gpo. Comercial de Htas. y Refacciones de Occidente, S.A. de C.V.

Av. La Paz No. 1779
Col. Americana, S. Juaréz
Guadalajara, Jalisco
Tel. 01 33 38 25 69 78

Herramientas y Equipos Profesionales

Av. Colón 2915 Ote.
Col. Francisco I. Madero
Monterrey, Nvo. León
Tel. 01 81 83 54 60 06

Htas. Portátiles de Chihuahua, S.A. de C.V.

Av. Universidad No. 2903
Col. Fracc. Universidad
Chihuahua, Chihuahua
Tel. 01 614 413 64 04

Fernando González Armenta

Bolivia No. 605
Col. Felipe Carrillo Puerto
Cd. Madero, Tampico
Tel. 01 833 221 34 50

Perfiles y Herramientas de Morelia

Gertrudis Bocanegra No. 898
Col. Ventura Puente
Morelia, Michoacán
Tel. 01 443 313 85 50

Enrique Robles

Av. de la Solidaridad No. 12713
Col. La Pradera
Irapuato, Guanajuato
Tel. 01 462 626 67 39

Hernández Martínez Jeanette

Prolongación Corregidora Nte. No. 1104
Col. Arboledas
Querétaro, Qro.
Tel. 01 442 245 25 80

PARA OTRAS LOCALIDADES LLAME AL 01 800 847 2309 o 01 800 847 2312.

**Vea "Herramientas
eléctricas (Tools-Electric)"
- Páginas amarillas -
para Servicio y ventas**



**BLACK & DECKER S.A. DE C.V.
BOSQUES DE CIDROS ACCESO RADIATAS NO. 42
COL. BOSQUES DE LAS LOMAS.
05120 MEXICO, D.F.
TEL. (01 55) 5326 7100
01 800 847 2309/01 800 847 2312**

Cat. No. NLP1800

Copyright © 2011 Black & Decker

Form No. 90577046

JUNE 2011

Printed in China

Free Manuals Download Website

<http://myh66.com>

<http://usermanuals.us>

<http://www.somanuals.com>

<http://www.4manuals.cc>

<http://www.manual-lib.com>

<http://www.404manual.com>

<http://www.luxmanual.com>

<http://aubethermostatmanual.com>

Golf course search by state

<http://golfingnear.com>

Email search by domain

<http://emailbydomain.com>

Auto manuals search

<http://auto.somanuals.com>

TV manuals search

<http://tv.somanuals.com>